

# Stainless Steel Work Table II SMS-10-V69-T\*

## Electronic Drive Adjustable Height Tables

### Specification Sheet

#### Short Form Specifications

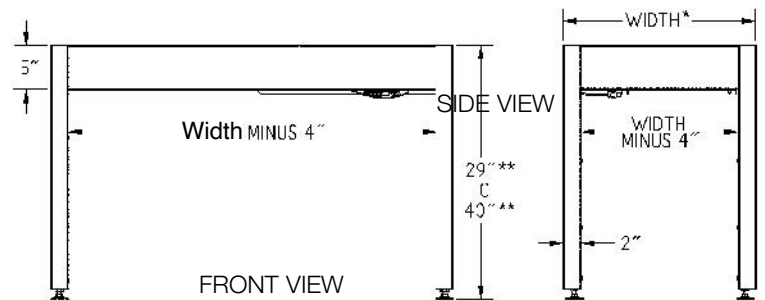
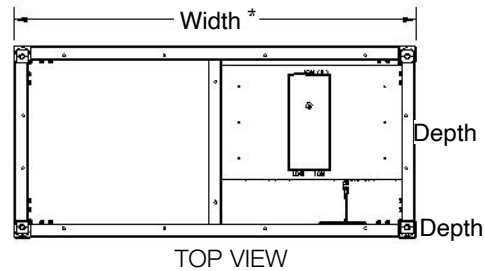
All stainless steel type 304 tables. Adjustable height from 29" to 40" (add 1" for standard tabletop). 2" square legs with leveling mounts. Heavy gauge corner angles are welded to the legs and tapped for bolting on 5" high aprons. 22"- or 28"-deep frame assemblies (add 2" for tabletop). Units with stainless top provided with a 16 gauge 304 stainless flat top with support channels. Synchronized electro-mechanical drive in each leg provides for height adjustment. Maximum table load is 900 lbs. with a lifting speed of 0.375 inches/second. Electronic controller features lockout and programmable minimum and maximum heights. Designed and tested to the SEFA 8 Metal Casework recommended practices.



#SMS-88-SSC-AHTTM-3048  
unit with tabletop

#### Design and Construction Features

- Type 304 stainless steel construction.
- Full-height 2" (51mm)-square tubular legs, with leveling mount mounts.
- Frame assemblies adjust from 29" to 40" (737 to 1016mm) height. Add 1" (25mm) for standard tabletop.
- 22" (559mm) depth. Add 2" (51 mm) for standard tabletop.
- 5" (127mm)-high apron on all four sides.
- Tabletops (for units with tops) include...
  - 16 gauge stainless steel
  - Support channels with sound-deadening tape
  - Flat top with 1" (25mm) square edge on all four sides



\* - FOR TABLETOP DIMENSIONS, ADD 2"  
\*\* - FOR HEIGHTS INCLUDING TABLETOP, ADD 1"

#### Units with Stainless Steel Tabletops

| width |     | length |      | model #               |
|-------|-----|--------|------|-----------------------|
| in    | mm  | in     | mm   |                       |
| 24"   | 610 | 24"    | 610  | <b>SSC-AHTTM-2424</b> |
| 24"   | 610 | 30"    | 762  | <b>SSC-AHTTM-2430</b> |
| 24"   | 610 | 36"    | 914  | <b>SSC-AHTTM-2436</b> |
| 24"   | 610 | 48"    | 1219 | <b>SSC-AHTTM-2448</b> |
| 24"   | 610 | 60"    | 1524 | <b>SSC-AHTTM-2460</b> |
| 24"   | 610 | 72"    | 1829 | <b>SSC-AHTTM-2472</b> |
| 30"   | 762 | 30"    | 762  | <b>SSC-AHTTM-3030</b> |
| 30"   | 762 | 36"    | 914  | <b>SSC-AHTTM-3036</b> |
| 30"   | 762 | 48"    | 1219 | <b>SSC-AHTTM-3048</b> |
| 30"   | 762 | 60"    | 1524 | <b>SSC-AHTTM-3060</b> |
| 30"   | 762 | 72"    | 1829 | <b>SSC-AHTTM-3072</b> |

#### Certifications / Approvals



SEFA 8 Metal Casework



# Pinned Leg Adjustable Height Tables

## Specification Sheet

### Short Form Specifications

All stainless steel type 304 tables. Adjustable height from 30" to 37" (add 1" for tabletop). 2" square legs with leveling mounts. Heavy gauge corner angles are welded to the legs and tapped for bolting on 5" high aprons. 22"- or 28"-deep frame assemblies (add 2" for tabletop). Units with stainless top provided with a 16 gauge 304 stainless flat top with support channels. Designed and tested to the SEFA 8 Metal Casework recommended practices.

### Design and Construction Features

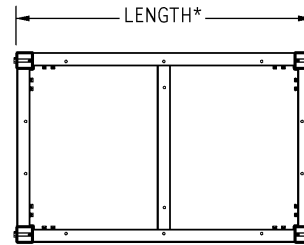
- Type 304 stainless steel construction.
- Full-height 2" (51mm)-square tubular legs, with leveling mount inserts.
- Frame assemblies adjust from 30" to 37" (762 to 940mm) height. Add 1" (25mm) for standard tabletop.
- 22" or 28" (559 or 711mm) depth. Add 2" (51mm) for standard tabletop.
- 5" (127mm)-high apron on all four sides.
- Tabletops (for units with tops) include...
  - 16 gauge stainless steel
  - Support channels with sound-deadening tape
  - Flat top with 1" (25mm) square edge on all four sides
- Weight capacity of 600 lbs. (172.2 kg).

### Units with Stainless Steel Tabletops

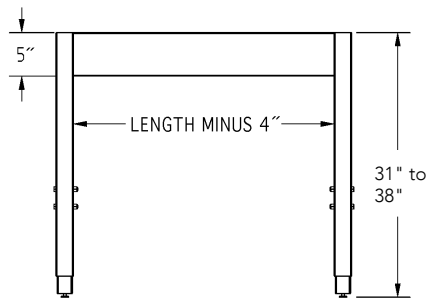
| width |     | length |      | model #               |
|-------|-----|--------|------|-----------------------|
| in    | mm  | in     | mm   |                       |
| 24"   | 610 | 24"    | 610  | SMS-88-SSC-AHTTP-2424 |
| 24"   | 610 | 30"    | 762  | SMS-88-SSC-AHTTP-2430 |
| 24"   | 610 | 36"    | 914  | SMS-88-SSC-AHTTP-2436 |
| 24"   | 610 | 48"    | 1219 | SMS-88-SSC-AHTTP-2448 |
| 24"   | 610 | 60"    | 1524 | SMS-88-SSC-AHTTP-2460 |
| 24"   | 610 | 72"    | 1829 | SMS-88-SSC-AHTTP-2472 |
| 30"   | 762 | 30"    | 762  | SMS-88-SSC-AHTTP-3030 |
| 30"   | 762 | 36"    | 914  | SMS-88-SSC-AHTTP-3036 |
| 30"   | 762 | 48"    | 1219 | SMS-88-SSC-AHTTP-3048 |
| 30"   | 762 | 60"    | 1524 | SMS-88-SSC-AHTTP-3060 |
| 30"   | 762 | 72"    | 1829 | SMS-88-SSC-AHTTP-3072 |



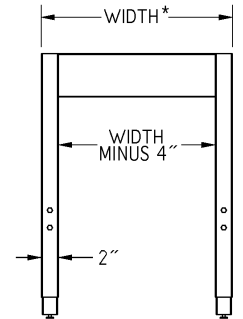
#SMS-88-SSC-AHTTP-2448  
unit with tabletop



TOP VIEW



FRONT VIEW



SIDE VIEW

\* - FOR TABLETOP DIMENSIONS, ADD 2"  
\*\* - FOR HEIGHTS INCLUDING TABLETOP, ADD 1"

### Certifications / Approvals



SEFA 8 Metal Casework

