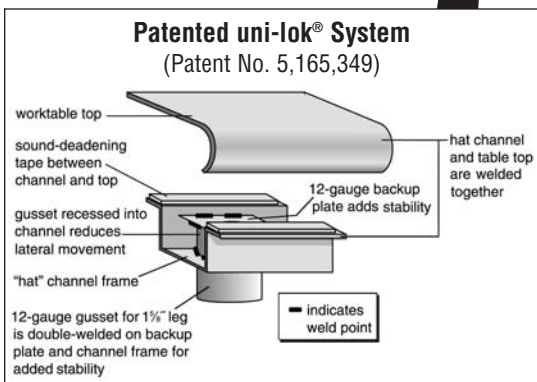


Short Form Specifications

Eagle worktables, Budget series model _____. Top to be constructed of heavy gauge, type 430 stainless steel with 1½" roll on front and rear, and sides turned down 90°. Undershelf to be adjustable and constructed of heavy gauge galvanized. Top reinforced with welded hat channels, and sound deadened. Constructed with uni-lok® patented gusset system with the gussets recessed into the hat channels to reduce lateral movement. Legs to be 1½" O.D. galvanized tubing with galvanized gussets, and 1" hi-impact plastic bullet feet.



worktable with flat top and undershelf



Worktables with Flat Top and Galvanized Base with Adjustable Undershelf—Budget Series

MODELS:

<input type="checkbox"/> T2424B	<input type="checkbox"/> T24108B	<input type="checkbox"/> T3072B	<input type="checkbox"/> T3660B
<input type="checkbox"/> T2430B	<input type="checkbox"/> T24120B	<input type="checkbox"/> T3084B	<input type="checkbox"/> T3672B
<input type="checkbox"/> T2436B	<input type="checkbox"/> T24132B	<input type="checkbox"/> T3096B	<input type="checkbox"/> T3684B
<input type="checkbox"/> T2448B	<input type="checkbox"/> T24144B	<input type="checkbox"/> T30108B	<input type="checkbox"/> T3696B
<input type="checkbox"/> T2460B	<input type="checkbox"/> T3030B	<input type="checkbox"/> T30120B	<input type="checkbox"/> T36108B
<input type="checkbox"/> T2472B	<input type="checkbox"/> T3036B	<input type="checkbox"/> T30132B	<input type="checkbox"/> T36120B
<input type="checkbox"/> T2484B	<input type="checkbox"/> T3048B	<input type="checkbox"/> T30144B	<input type="checkbox"/> T36132B
<input type="checkbox"/> T2496B	<input type="checkbox"/> T3060B	<input type="checkbox"/> T3648B	<input type="checkbox"/> T36144B

Tabletop

- Patented uni-lok® gusset system (patent #5,165,349): gussets are recessed into hat channel, reducing lateral movement.
- Top reinforced with welded-on hat channel.
- Sound-deadened between top and channels.
- 1½" (38mm)-diameter 180° rolled edges on front and rear. Ends are turned down 90° providing for flush installations when required.
- Heavy gauge type 430 polished stainless steel.

Adjustable Undershelf

- Heavy gauge, galvanized.
- Gusset welded to each corner.

Legs—1½" (41mm)-diameter

- Tables 96" (2438mm) and longer come with six legs or more.
- Heavy gauge galvanized steel.
- 1" (25mm) adjustable hi-impact plastic feet.

Options / Accessories

- | | |
|--|--|
| <input type="checkbox"/> Drawer | <input type="checkbox"/> Duplex receptacles |
| <input type="checkbox"/> Lock | <input type="checkbox"/> Pot rack |
| <input type="checkbox"/> Casters | <input type="checkbox"/> Sink |
| <input type="checkbox"/> Stainless steel bullet feet | <input type="checkbox"/> Additional undershelf |
| <input type="checkbox"/> Overshelves | <input type="checkbox"/> Stabilizer Bar (for 30"- and 36"-wide tables) |

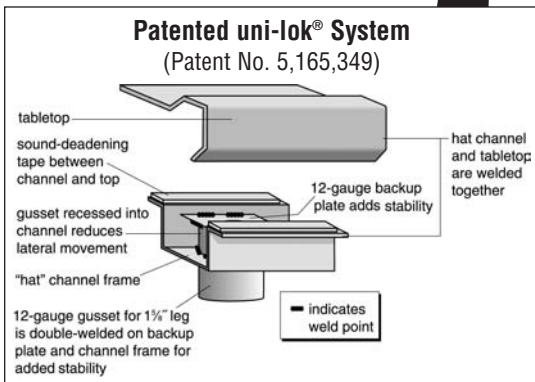
Specification Sheet

Short Form Specifications

Eagle worktables, Spec-Master® Marine series, model _____. Top to be constructed of 14/304 stainless steel with 2½" marine counter style edge on all sides. Undershef to be adjustable and constructed of heavy gauge galvanized. Top reinforced with welded hat channels and sound deadened. Constructed with uni-lok® patented gusset system with the gussets recessed into the hat channels to reduce lateral movement. Legs to be 1½" O.D. galvanized tubing with galvanized gussets and 1" hi-impact plastic bullet feet.



worktable with flat top and undershef



Worktables with Flat Top and Galvanized Base with Adjustable Undershef —Spec-Master® Marine Series

MODELS:

- | | | | |
|-----------------------------------|-----------------------------------|-----------------------------------|-----------------------------------|
| <input type="checkbox"/> T2424EM | <input type="checkbox"/> T24144EM | <input type="checkbox"/> T30132EM | <input type="checkbox"/> T36144EM |
| <input type="checkbox"/> T2430EM | <input type="checkbox"/> T3030EM | <input type="checkbox"/> T30144EM | <input type="checkbox"/> T4848EM |
| <input type="checkbox"/> T2436EM | <input type="checkbox"/> T3036EM | <input type="checkbox"/> T3648EM | <input type="checkbox"/> T4860EM |
| <input type="checkbox"/> T2448EM | <input type="checkbox"/> T3048EM | <input type="checkbox"/> T3660EM | <input type="checkbox"/> T4872EM |
| <input type="checkbox"/> T2460EM | <input type="checkbox"/> T3060EM | <input type="checkbox"/> T3672EM | <input type="checkbox"/> T4884EM |
| <input type="checkbox"/> T2472EM | <input type="checkbox"/> T3072EM | <input type="checkbox"/> T3684EM | <input type="checkbox"/> T4896EM |
| <input type="checkbox"/> T2484EM | <input type="checkbox"/> T3084EM | <input type="checkbox"/> T3696EM | <input type="checkbox"/> T48108EM |
| <input type="checkbox"/> T2496EM | <input type="checkbox"/> T3096EM | <input type="checkbox"/> T36108EM | <input type="checkbox"/> T48120EM |
| <input type="checkbox"/> T24108EM | <input type="checkbox"/> T30108EM | <input type="checkbox"/> T36120EM | <input type="checkbox"/> T48132EM |
| <input type="checkbox"/> T24120EM | <input type="checkbox"/> T30120EM | <input type="checkbox"/> T36132EM | <input type="checkbox"/> T48144EM |
| <input type="checkbox"/> T24132EM | | | |

Tabletop

- Patented uni-lok® gusset system (patent #5,165,349): gussets are recessed into hat channel, reducing lateral movement.
- Top reinforced with welded-on hat channel.
- Sound-deadened between top and channels.
- Marine counter edge on all four sides.
- 14 gauge type 304 polished stainless steel.

Adjustable Undershef

- Heavy gauge, galvanized.
- Gusset welded to each corner.

Legs—1½" (41mm)-diameter

- 24" to 36" (610 to 914mm)-wide units that are 96" (2438mm) and longer come with six legs or more. 48" (1219mm)-wide units that are 72" (1829mm) and longer come with six legs or more.
- Heavy gauge galvanized steel.
- 1" (25mm) adjustable hi-impact plastic feet.

Options / Accessories

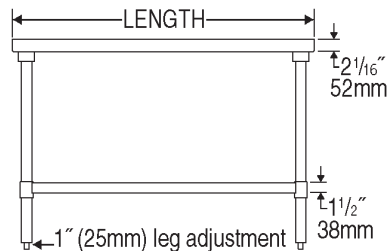
- | | |
|--|--|
| <input type="checkbox"/> Drawer | <input type="checkbox"/> Duplex receptacles |
| <input type="checkbox"/> Lock | <input type="checkbox"/> Pot rack |
| <input type="checkbox"/> Casters | <input type="checkbox"/> Sink |
| <input type="checkbox"/> Stainless steel bullet feet | <input type="checkbox"/> Additional undershef |
| <input type="checkbox"/> Overshelves | <input type="checkbox"/> Stabilizer Bar (for 30"- and 36"-wide tables) |

Worktables with Flat Top and Galvanized Base with Adjustable Undershef—Spec-Master® Marine Series

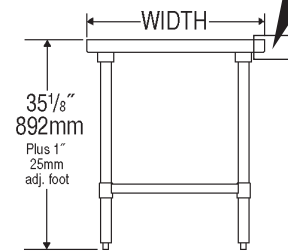
**For custom sizes - fill in required dimensions in layout provided



TOP VIEW



FRONT VIEW



SIDE VIEW

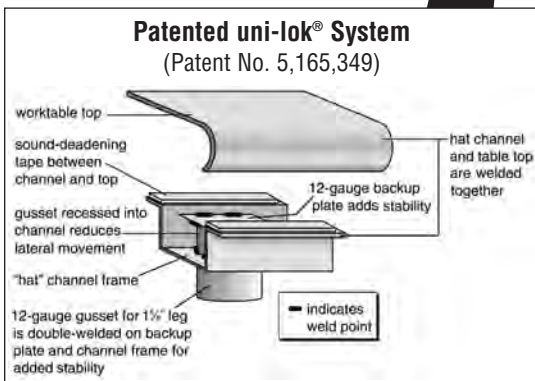
model #	# of legs	width		length		weight	
		in.	mm	in.	mm	lbs.	kg
T2424EM	4	24"	610	24"	610	44	20.0
T2430EM	4	24"	610	30"	762	50	22.7
T2436EM	4	24"	610	36"	914	55	24.9
T2448EM	4	24"	610	48"	1219	67	30.4
T2460EM	4	24"	610	60"	1524	78	35.4
T2472EM	4	24"	610	72"	1829	90	40.8
T2484EM	4	24"	610	84"	2134	103	46.3
T2496EM	6	24"	610	96"	2438	112	50.8
T24108EM	6	24"	610	108"	2743	123	55.8
T24120EM	6	24"	610	120"	3048	134	60.8
T24132EM	8	24"	610	132"	3353	145	65.8
T24144EM	8	24"	610	144"	3658	156	70.8
T3030EM	4	30"	762	30"	762	52	23.6
T3036EM	4	30"	762	36"	914	58	26.3
T3048EM	4	30"	762	48"	1219	71	32.2
T3060EM	4	30"	762	60"	1524	84	38.1
T3072EM	4	30"	762	72"	1829	93	42.2
T3084EM	4	30"	762	84"	2134	107	48.5
T3096EM	6	30"	762	96"	2438	120	54.4
T30108EM	6	30"	762	108"	2743	134	60.8
T30120EM	6	30"	762	120"	3048	147	66.7
T30132EM	8	30"	762	132"	3353	160	72.6
T30144EM	8	30"	762	144"	3658	174	78.9
T3648EM	4	36"	914	48"	1219	78	35.4
T3660EM	4	36"	914	60"	1524	92	41.7
T3672EM	4	36"	914	72"	1829	107	48.5
T3684EM	4	36"	914	84"	2134	120	54.4
T3696EM	6	36"	914	96"	2438	134	60.8
T36108EM	6	36"	914	108"	2743	147	66.7
T36120EM	6	36"	914	120"	3048	160	72.6
T36132EM	8	36"	914	132"	3353	174	78.9
T36144EM	8	36"	914	144"	3658	187	84.8
T4848EM	4	48"	1219	48"	1219	124	54.9
T4860EM	4	48"	1219	60"	1524	146	66.2
T4872EM	6	48"	1219	72"	1829	171	77.6
T4884EM	8	48"	1219	84"	2134	197	89.4
T4896EM	8	48"	1219	96"	2438	241	109.3
T48108EM	8	48"	1219	108"	2743	278	126.1
T48120EM	8	48"	1219	120"	3048	316	143.3
T48132EM	8	48"	1219	132"	3353	353	160.1
T48144EM	8	48"	1219	144"	3658	391	177.4

Short Form Specifications

Eagle worktables, Budget series model _____. Top to be constructed of heavy gauge type 430 stainless steel with 1½" roll on front and rear, and sides turned down 90°. Open front with 1¼" O.D. galvanized tubular crossbracing on sides and rear. Top reinforced with hat channels and sound deadened. Constructed with uni-lok® patented gusset system with the gussets recessed into the hat channels to reduce lateral movement. Legs to be 1½" O.D. galvanized tubing, with galvanized gussets and 1" hi-impact plastic bullet feet.



worktable with flat top and tubular base



Worktables with Flat Top and Galvanized Tubular Base —Budget Series

MODELS:

- | | | | |
|-----------------------------------|------------------------------------|------------------------------------|------------------------------------|
| <input type="checkbox"/> T2424GTB | <input type="checkbox"/> T24108GTB | <input type="checkbox"/> T3072GTB | <input type="checkbox"/> T3660GTB |
| <input type="checkbox"/> T2430GTB | <input type="checkbox"/> T24120GTB | <input type="checkbox"/> T3084GTB | <input type="checkbox"/> T3672GTB |
| <input type="checkbox"/> T2436GTB | <input type="checkbox"/> T24132GTB | <input type="checkbox"/> T3096GTB | <input type="checkbox"/> T3684GTB |
| <input type="checkbox"/> T2448GTB | <input type="checkbox"/> T24144GTB | <input type="checkbox"/> T30108GTB | <input type="checkbox"/> T3696GTB |
| <input type="checkbox"/> T2460GTB | <input type="checkbox"/> T3030GTB | <input type="checkbox"/> T30120GTB | <input type="checkbox"/> T36108GTB |
| <input type="checkbox"/> T2472GTB | <input type="checkbox"/> T3036GTB | <input type="checkbox"/> T30132GTB | <input type="checkbox"/> T36120GTB |
| <input type="checkbox"/> T2484GTB | <input type="checkbox"/> T3048GTB | <input type="checkbox"/> T30144GTB | <input type="checkbox"/> T36132GTB |
| <input type="checkbox"/> T2496GTB | <input type="checkbox"/> T3060GTB | <input type="checkbox"/> T3648GTB | <input type="checkbox"/> T36144GTB |

Tabletop

- Patented uni-lok® gusset system (patent #5,165,349): gussets are recessed into hat channel, reducing lateral movement.
- Top reinforced with welded-on hat channel.
- Sound-deadened between top and channels.
- 1½" (38mm)-diameter 180° rolled edges on front and rear. Ends are turned down 90°, providing for flush installations when required.
- Heavy gauge type 430 polished stainless steel.

Crossbracing—1¼" (38mm)-diameter

- Heavy gauge, galvanized.
- Aluminum castings join crossbraces, legs and rear brace.

Legs—1½" (41mm)-diameter

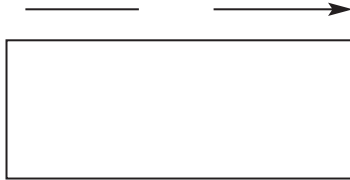
- Tables 96" (2438mm) and longer come with six legs or more.
- Heavy gauge galvanized steel.
- 1" (25mm) adjustable hi-impact plastic feet.

Options / Accessories

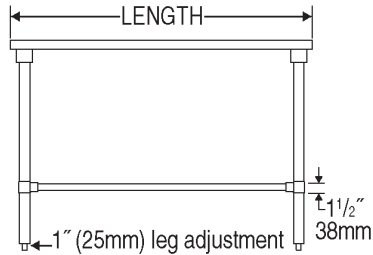
- | | |
|--|--|
| <input type="checkbox"/> Drawer | <input type="checkbox"/> Duplex receptacles |
| <input type="checkbox"/> Lock | <input type="checkbox"/> Pot rack |
| <input type="checkbox"/> Casters | <input type="checkbox"/> Sink |
| <input type="checkbox"/> Stainless steel bullet feet | <input type="checkbox"/> Stabilizer Bar (for 30"- and 36"-wide tables) |
| <input type="checkbox"/> Overshelves | |

Worktables with Flat Top and Galvanized Tubular Base —Budget Series

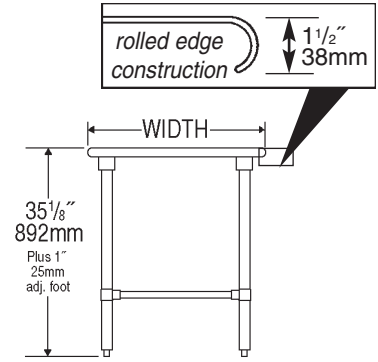
**For custom sizes - fill in required dimensions in layout provided



TOP VIEW



FRONT VIEW



SIDE VIEW

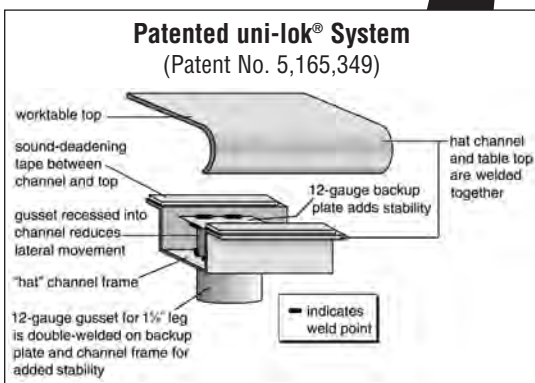
model #	# of legs	width		length		weight	
		in.	mm	in.	mm	lbs.	kg
T2424GTB	4	24"	610	24"	610	40	18.1
T2430GTB	4	24"	610	30"	762	45	20.4
T2436GTB	4	24"	610	36"	914	50	22.7
T2448GTB	4	24"	610	48"	1219	60	27.2
T2460GTB	4	24"	610	60"	1524	70	31.8
T2472GTB	4	24"	610	72"	1829	80	36.3
T2484GTB	4	24"	610	84"	2134	90	40.8
T2496GTB	6	24"	610	96"	2438	100	45.4
T24108GTB	6	24"	610	108"	2743	110	49.9
T24120GTB	6	24"	610	120"	3048	120	54.4
T24132GTB	8	24"	610	132"	3353	130	59.0
T24144GTB	8	24"	610	144"	3658	140	63.5
T3030GTB	4	30"	762	30"	762	47	21.3
T3036GTB	4	30"	762	36"	914	53	24.0
T3048GTB	4	30"	762	48"	1219	65	29.5
T3060GTB	4	30"	762	60"	1524	77	34.9
T3072GTB	4	30"	762	72"	1829	89	40.4
T3084GTB	4	30"	762	84"	2134	101	45.8
T3096GTB	6	30"	762	96"	2438	113	51.3
T30108GTB	6	30"	762	108"	2743	125	56.7
T30120GTB	6	30"	762	120"	3048	137	62.1
T30132GTB	8	30"	762	132"	3353	149	67.6
T30144GTB	8	30"	762	144"	3658	161	73.0
T3648GTB	4	36"	914	48"	1219	73	33.1
T3660GTB	4	36"	914	60"	1524	87	39.5
T3672GTB	4	36"	914	72"	1829	101	45.8
T3684GTB	4	36"	914	84"	2134	115	52.2
T3696GTB	6	36"	914	96"	2438	129	58.5
T36108GTB	6	36"	914	108"	2743	143	64.9
T36120GTB	6	36"	914	120"	3048	157	71.2
T36132GTB	8	36"	914	132"	3353	171	77.6
T36144GTB	8	36"	914	144"	3658	185	83.9

Short Form Specifications

Eagle worktables, Deluxe series, model _____. Top to be constructed of 16/304 stainless steel with 1½" roll on front and rear, and sides turned down 90°. Open front with 1¼" O.D. galvanized tubular crossbracing on sides and rear. Top reinforced with hat channels and sound deadened. Constructed with uni-lok® patented gusset system with the gussets recessed into the hat channels to reduce lateral movement. Legs to be 1½" O.D. galvanized tubing, with galvanized gussets and 1" hi-impact plastic bullet feet.



worktable with flat top and tubular base



Worktables with Flat Top and Galvanized Tubular Base —Deluxe Series

MODELS:

- T2424GTEB T24108GTEB T3072GTEB T3660GTEB
- T2430GTEB T24120GTEB T3084GTEB T3672GTEB
- T2436GTEB T24132GTEB T3096GTEB T3684GTEB
- T2448GTEB T24144GTEB T30108GTEB T3696GTEB
- T2460GTEB T3030GTEB T30120GTEB T36108GTEB
- T2472GTEB T3036GTEB T30132GTEB T36120GTEB
- T2484GTEB T3048GTEB T30144GTEB T36132GTEB
- T2496GTEB T3060GTEB T3648GTEB T36144GTEB

Tabletop

- Patented uni-lok® gusset system (patent #5,165,349): gussets are recessed into hat channel, reducing lateral movement.
- Top reinforced with welded-on hat channel.
- Sound-deadened between top and channels.
- 1½" (38mm)-diameter 180° rolled edges on front and rear. Ends are turned down 90°, providing for flush installations when required.
- 16 gauge type 304 polished stainless steel.

Crossbracing—1¼" (38mm)-diameter

- Heavy gauge, galvanized.
- Aluminum castings join crossbraces, legs and rear brace.

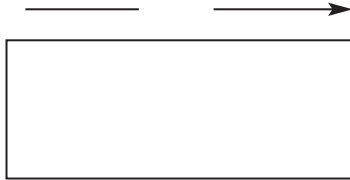
Legs—1½" (41mm)-diameter

- Tables 96" (2438mm) and longer come with six legs or more.
- Heavy gauge galvanized steel.
- 1" (25mm) adjustable hi-impact plastic feet.

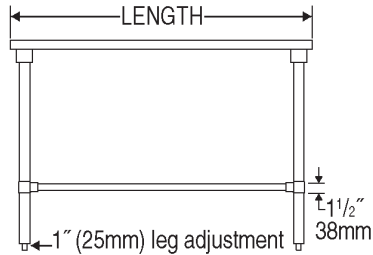
Options / Accessories

- Drawer
- Lock
- Casters
- Stainless steel bullet feet
- Overshelves
- Duplex receptacles
- Pot rack
- Sink
- Stabilizer Bar (for 30"- and 36"-wide tables)

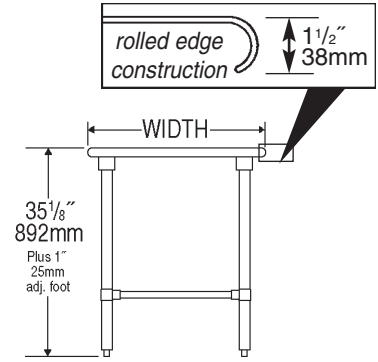
**For custom sizes - fill in required dimensions in layout provided



TOP VIEW



FRONT VIEW



SIDE VIEW

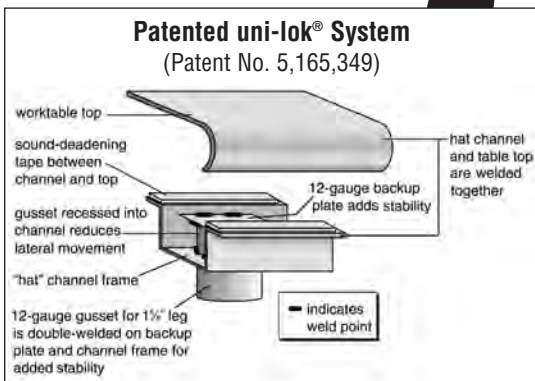
model #	# of legs	width		length		weight	
		in.	mm	in.	mm	lbs.	kg
T2424GTEB	4	24"	610	24"	610	40	18.1
T2430GTEB	4	24"	610	30"	762	45	20.4
T2436GTEB	4	24"	610	36"	914	50	22.7
T2448GTEB	4	24"	610	48"	1219	60	27.2
T2460GTEB	4	24"	610	60"	1524	70	31.8
T2472GTEB	4	24"	610	72"	1829	80	36.3
T2484GTEB	4	24"	610	84"	2134	90	40.8
T2496GTEB	6	24"	610	96"	2438	100	45.4
T24108GTEB	6	24"	610	108"	2743	110	49.9
T24120GTEB	6	24"	610	120"	3048	120	54.4
T24132GTEB	8	24"	610	132"	3353	130	59.0
T24144GTEB	8	24"	610	144"	3658	140	63.5
T3030GTEB	4	30"	762	30"	762	47	21.3
T3036GTEB	4	30"	762	36"	914	53	24.0
T3048GTEB	4	30"	762	48"	1219	65	29.5
T3060GTEB	4	30"	762	60"	1524	77	34.9
T3072GTEB	4	30"	762	72"	1829	89	40.4
T3084GTEB	4	30"	762	84"	2134	101	45.8
T3096GTEB	6	30"	762	96"	2438	113	51.3
T30108GTEB	6	30"	762	108"	2743	125	56.7
T30120GTEB	6	30"	762	120"	3048	137	62.1
T30132GTEB	8	30"	762	132"	3353	149	67.6
T30144GTEB	8	30"	762	144"	3658	161	73.0
T3648GTEB	4	36"	914	48"	1219	73	33.1
T3660GTEB	4	36"	914	60"	1524	87	39.5
T3672GTEB	4	36"	914	72"	1829	101	45.8
T3684GTEB	4	36"	914	84"	2134	115	52.2
T3696GTEB	6	36"	914	96"	2438	129	58.5
T36108GTEB	6	36"	914	108"	2743	143	64.9
T36120GTEB	6	36"	914	120"	3048	157	71.2
T36132GTEB	8	36"	914	132"	3353	171	77.6
T36144GTEB	8	36"	914	144"	3658	185	83.9

Short Form Specifications

Eagle worktables, Spec-Master® series, model _____.
 Top to be constructed of 14/304 stainless steel with 1½" roll on front and rear, and sides turned down 90°. Open front with 1¼" O.D. galvanized tubular crossbracing on sides and rear. Top reinforced with welded hat channels and sound deadened. Constructed with uni-lok® patented gusset system with the gussets recessed into the hat channels to reduce lateral movement. Legs to be 1½" O.D. galvanized tubing, with galvanized gussets and 1" hi-impact plastic bullet feet.



worktable with flat top and tubular base



Worktables with Flat Top and Galvanized Tubular Base —Spec-Master® Series

MODELS:

- | | | | |
|------------------------------------|------------------------------------|------------------------------------|------------------------------------|
| <input type="checkbox"/> T2424GTE | <input type="checkbox"/> T24144GTE | <input type="checkbox"/> T30132GTE | <input type="checkbox"/> T36144GTE |
| <input type="checkbox"/> T2430GTE | <input type="checkbox"/> T3030GTE | <input type="checkbox"/> T30144GTE | <input type="checkbox"/> T4848GTE |
| <input type="checkbox"/> T2436GTE | <input type="checkbox"/> T3036GTE | <input type="checkbox"/> T3648GTE | <input type="checkbox"/> T4860GTE |
| <input type="checkbox"/> T2448GTE | <input type="checkbox"/> T3048GTE | <input type="checkbox"/> T3660GTE | <input type="checkbox"/> T4872GTE |
| <input type="checkbox"/> T2460GTE | <input type="checkbox"/> T3060GTE | <input type="checkbox"/> T3672GTE | <input type="checkbox"/> T4884GTE |
| <input type="checkbox"/> T2472GTE | <input type="checkbox"/> T3072GTE | <input type="checkbox"/> T3684GTE | <input type="checkbox"/> T4896GTE |
| <input type="checkbox"/> T2484GTE | <input type="checkbox"/> T3084GTE | <input type="checkbox"/> T3696GTE | <input type="checkbox"/> T48108GTE |
| <input type="checkbox"/> T2496GTE | <input type="checkbox"/> T3096GTE | <input type="checkbox"/> T36108GTE | <input type="checkbox"/> T48120GTE |
| <input type="checkbox"/> T24108GTE | <input type="checkbox"/> T30108GTE | <input type="checkbox"/> T36120GTE | <input type="checkbox"/> T48132GTE |
| <input type="checkbox"/> T24120GTE | <input type="checkbox"/> T30120GTE | <input type="checkbox"/> T36132GTE | <input type="checkbox"/> T48144GTE |
| <input type="checkbox"/> T24132GTE | | | |

Tabletop

- Patented uni-lok® gusset system (patent #5,165,349): gussets are recessed into hat channel, reducing lateral movement.
- Top reinforced with welded-on hat channel.
- Sound-deadened between top and channels.
- 1½" (38mm)-diameter 180° rolled edges on front and rear. Ends are turned down 90°, providing for flush installations when required.
- 14 gauge type 304 polished stainless steel.

Crossbracing—1¼" (38mm)-diameter

- Heavy gauge, galvanized.
- Aluminum castings join crossbraces, legs and rear brace.

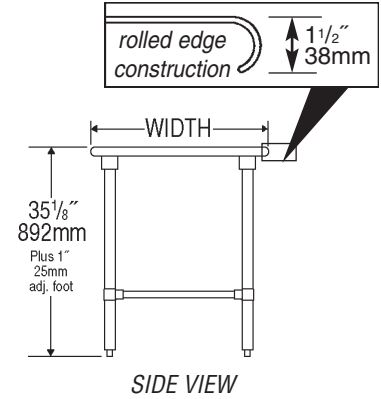
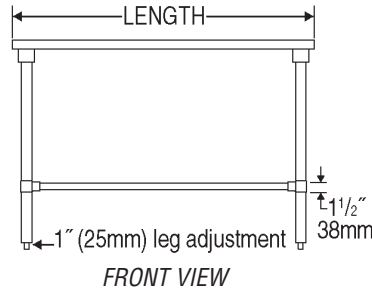
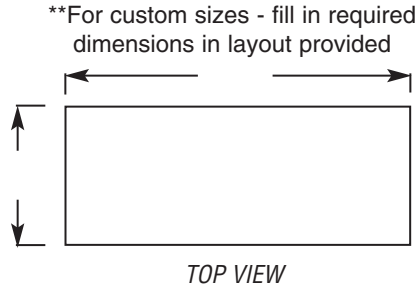
Legs—1½" (41mm)-diameter

- 24" to 36" (610 to 914mm)-wide units that are 96" (2438mm) and longer come with six legs or more. 48" (1219mm)-wide units that are 72" (1829mm) and longer come with six legs or more.
- Heavy gauge galvanized steel.
- 1" (25mm) adjustable hi-impact plastic feet.

Options / Accessories

- | | |
|--|--|
| <input type="checkbox"/> Drawer | <input type="checkbox"/> Duplex receptacles |
| <input type="checkbox"/> Lock | <input type="checkbox"/> Pot rack |
| <input type="checkbox"/> Casters | <input type="checkbox"/> Sink |
| <input type="checkbox"/> Stainless steel bullet feet | <input type="checkbox"/> Stabilizer Bar (for 30"- and 36"-wide tables) |
| <input type="checkbox"/> Overshelves | |

Worktables with Flat Top and Galvanized Tubular Base —Spec-Master® Series



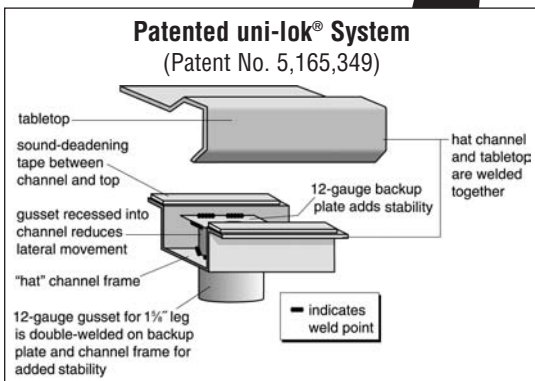
model #	# of legs	width		length		weight	
		in.	mm	in.	mm	lbs.	kg
T2424GTE	4	24"	610	24"	610	44	20.0
T2430GTE	4	24"	610	30"	762	48	21.8
T2436GTE	4	24"	610	36"	914	55	24.9
T2448GTE	4	24"	610	48"	1219	66	29.9
T2460GTE	4	24"	610	60"	1524	77	34.9
T2472GTE	4	24"	610	72"	1829	88	39.9
T2484GTE	4	24"	610	84"	2134	99	44.9
T2496GTE	6	24"	610	96"	2438	110	49.9
T24108GTE	6	24"	610	108"	2743	121	54.9
T24120GTE	6	24"	610	120"	3048	132	59.9
T24132GTE	8	24"	610	132"	3353	145	65.8
T24144GTE	8	24"	610	144"	3658	154	69.9
T3030GTE	4	30"	762	30"	762	52	23.6
T3036GTE	4	30"	762	36"	914	58	26.3
T3048GTE	4	30"	762	48"	1219	72	32.7
T3060GTE	4	30"	762	60"	1524	85	38.6
T3072GTE	4	30"	762	72"	1829	98	44.5
T3084GTE	4	30"	762	84"	2134	111	50.3
T3096GTE	6	30"	762	96"	2438	124	56.2
T30108GTE	6	30"	762	108"	2743	138	62.6
T30120GTE	6	30"	762	120"	3048	151	68.5
T30132GTE	8	30"	762	132"	3353	164	74.4
T30144GTE	8	30"	762	144"	3658	177	80.3
T3648GTE	4	36"	914	48"	1219	80	36.3
T3660GTE	4	36"	914	60"	1524	96	43.6
T3672GTE	4	36"	914	72"	1829	111	50.3
T3684GTE	4	36"	914	84"	2134	127	57.6
T3696GTE	6	36"	914	96"	2438	142	64.4
T36108GTE	6	36"	914	108"	2743	157	71.2
T36120GTE	6	36"	914	120"	3048	172	78.0
T36132GTE	8	36"	914	132"	3353	188	85.3
T36144GTE	8	36"	914	144"	3658	204	92.5
T4848GTE	4	48"	1219	48"	1219	96	43.6
T4860GTE	4	48"	1219	60"	1524	111	50.3
T4872GTE	6	48"	1219	72"	1829	127	57.6
T4884GTE	8	48"	1219	84"	2134	132	59.9
T4896GTE	8	48"	1219	96"	2438	157	71.2
T48108GTE	8	48"	1219	108"	2743	173	78.5
T48120GTE	8	48"	1219	120"	3048	188	85.3
T48132GTE	8	48"	1219	132"	3353	204	92.5
T48144GTE	8	48"	1219	144"	3658	219	99.3

Short Form Specifications

Eagle worktables, Spec-Master® Marine series, model _____ . Top to be constructed of 14/304 stainless steel with a 2 1/8" marine counter style edging on all four sides. Open front with 1 1/4" O.D. galvanized tubular crossbracing on sides and rear. Top reinforced with welded hat channels and sound deadened. Constructed with uni-lok® patented gusset system with the gussets recessed into the hat channels to reduce lateral movement. Legs to be 1 1/2" O.D. galvanized tubing, with galvanized gussets and 1" hi-impact plastic bullet feet.



worktable with flat top and tubular base



Worktables with Flat Top and Galvanized Tubular Base —Spec-Master® Marine Series

MODELS:

- T2424GTEM T24144GTEM T30132GTEM T36144GTEM
- T2430GTEM T3030GTEM T30144GTEM T4848GTEM
- T2436GTEM T3036GTEM T3648GTEM T4860GTEM
- T2448GTEM T3048GTEM T3660GTEM T4872GTEM
- T2460GTEM T3060GTEM T3672GTEM T4884GTEM
- T2472GTEM T3072GTEM T3684GTEM T4896GTEM
- T2484GTEM T3084GTEM T3696GTEM T48108GTEM
- T2496GTEM T3096GTEM T36108GTEM T48120GTEM
- T24108GTEM T30108GTEM T36120GTEM T48132GTEM
- T24120GTEM T30120GTEM T36132GTEM T48144GTEM
- T24132GTEM

Tabletop

- Patented uni-lok® gusset system (patent #5,165,349): gussets are recessed into hat channel, reducing lateral movement.
- Top reinforced with welded-on hat channel.
- Sound-deadened between top and channels.
- Marine counter edge on all four sides.
- 14 gauge type 304 polished stainless steel.

Crossbracing—1 1/4" (38mm)-diameter

- Heavy gauge, galvanized.
- Aluminum castings join crossbraces, legs and rear brace.

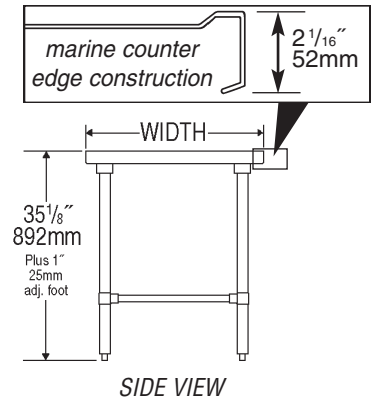
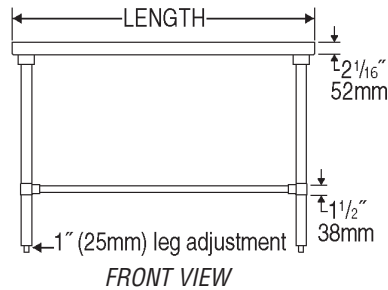
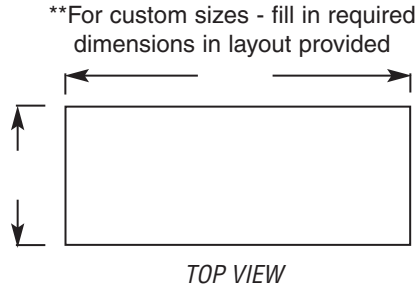
Legs—1 1/2" (41mm)-diameter

- 24" to 36" (610 to 914mm)-wide units that are 96" (2438mm) and longer come with six legs or more. 48" (1219mm)-wide units that are 72" (1829mm) and longer come with six legs or more.
- Heavy gauge galvanized steel.
- 1" (25mm) adjustable hi-impact plastic feet.

Options / Accessories

- Drawer
- Lock
- Casters
- Stainless steel bullet feet
- Overshelves
- Duplex receptacles
- Pot rack
- Sink
- Stabilizer Bar (for 30"- and 36"-wide tables)

Worktables with Flat Top and Galvanized Tubular Base —Spec-Master® Marine Series



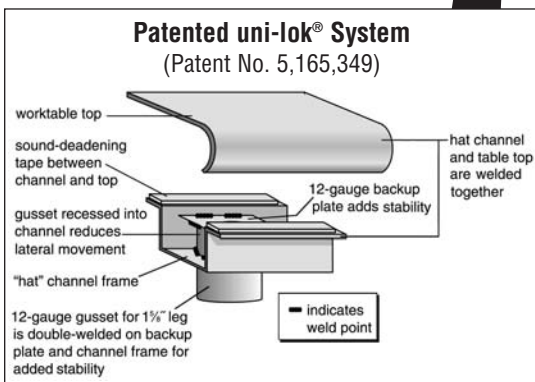
model #	# of legs	width		length		weight	
		in.	mm	in.	mm	lbs.	kg
T2424GTEM	4	24"	610	24"	610	44	20.0
T2430GTEM	4	24"	610	30"	762	48	21.8
T2436GTEM	4	24"	610	36"	914	55	24.9
T2448GTEM	4	24"	610	48"	1219	66	29.9
T2460GTEM	4	24"	610	60"	1524	77	34.9
T2472GTEM	4	24"	610	72"	1829	88	39.9
T2484GTEM	4	24"	610	84"	2134	99	44.9
T2496GTEM	6	24"	610	96"	2438	110	49.9
T24108GTEM	6	24"	610	108"	2743	121	54.9
T24120GTEM	6	24"	610	120"	3048	132	59.9
T24132GTEM	8	24"	610	132"	3353	145	65.8
T24144GTEM	8	24"	610	144"	3658	154	69.9
T3030GTEM	4	30"	762	30"	762	52	23.6
T3036GTEM	4	30"	762	36"	914	58	26.3
T3048GTEM	4	30"	762	48"	1219	72	32.7
T3060GTEM	4	30"	762	60"	1524	85	38.6
T3072GTEM	4	30"	762	72"	1829	98	44.5
T3084GTEM	4	30"	762	84"	2134	111	50.3
T3096GTEM	6	30"	762	96"	2438	124	56.2
T30108GTEM	6	30"	762	108"	2743	138	62.6
T30120GTEM	6	30"	762	120"	3048	151	68.5
T30132GTEM	8	30"	762	132"	3353	164	74.4
T30144GTEM	8	30"	762	144"	3658	177	80.3
T3648GTEM	4	36"	914	48"	1219	80	36.3
T3660GTEM	4	36"	914	60"	1524	96	43.6
T3672GTEM	4	36"	914	72"	1829	111	50.3
T3684GTEM	4	36"	914	84"	2134	127	57.6
T3696GTEM	6	36"	914	96"	2438	142	64.4
T36108GTEM	6	36"	914	108"	2743	157	71.2
T36120GTEM	6	36"	914	120"	3048	172	78.0
T36132GTEM	8	36"	914	132"	3353	188	85.3
T36144GTEM	8	36"	914	144"	3658	204	92.5
T4848GTEM	4	48"	1219	48"	1219	96	43.6
T4860GTEM	4	48"	1219	60"	1524	111	50.3
T4872GTEM	6	48"	1219	72"	1829	127	57.6
T4884GTEM	8	48"	1219	84"	2134	132	59.9
T4896GTEM	8	48"	1219	96"	2438	157	71.2
T48108GTEM	8	48"	1219	108"	2743	173	78.5
T48120GTEM	8	48"	1219	120"	3048	188	85.3
T48132GTEM	8	48"	1219	132"	3353	204	92.5
T48144GTEM	8	48"	1219	144"	3658	219	99.3

Short Form Specifications

Eagle worktables, Budget series model _____. Top to be constructed of heavy gauge type 430 stainless steel with 1½" roll on front, 4½" backsplash, and sides turned down 90°. Undershelf to be adjustable and constructed of heavy gauge galvanized steel. Top reinforced with welded hat channels, and sound deadened. Constructed with uni-lok® patented gusset system with the gussets recessed into the hat channels to reduce lateral movement. Legs to be 1½" O.D. galvanized tubing, with galvanized gussets and 1" hi-impact plastic bullet feet.



worktable with backsplash and undershelf



Worktables with Backsplash and Galvanized Base with Undershelf —Budget Series

MODELS:

<input type="checkbox"/> T2424B-BS	<input type="checkbox"/> T24108B-BS	<input type="checkbox"/> T3072B-BS	<input type="checkbox"/> T3660B-BS
<input type="checkbox"/> T2430B-BS	<input type="checkbox"/> T24120B-BS	<input type="checkbox"/> T3084B-BS	<input type="checkbox"/> T3672B-BS
<input type="checkbox"/> T2436B-BS	<input type="checkbox"/> T24132B-BS	<input type="checkbox"/> T3096B-BS	<input type="checkbox"/> T3684B-BS
<input type="checkbox"/> T2448B-BS	<input type="checkbox"/> T24144B-BS	<input type="checkbox"/> T30108B-BS	<input type="checkbox"/> T3696B-BS
<input type="checkbox"/> T2460B-BS	<input type="checkbox"/> T3030B-BS	<input type="checkbox"/> T30120B-BS	<input type="checkbox"/> T36108B-BS
<input type="checkbox"/> T2472B-BS	<input type="checkbox"/> T3036B-BS	<input type="checkbox"/> T30132B-BS	<input type="checkbox"/> T36120B-BS
<input type="checkbox"/> T2484B-BS	<input type="checkbox"/> T3048B-BS	<input type="checkbox"/> T30144B-BS	<input type="checkbox"/> T36132B-BS
<input type="checkbox"/> T2496B-BS	<input type="checkbox"/> T3060B-BS	<input type="checkbox"/> T3648B-BS	<input type="checkbox"/> T36144B-BS

Tabletop

- Patented uni-lok® gusset system (patent #5,165,349): gussets are recessed into hat channel, reducing lateral movement.
- Top reinforced with welded-on hat channel.
- Sound-deadened between top and channels.
- 4½" (114mm)-high 90° backsplash with 1" (25mm) turn at 90°.
- 1½" (38mm)-diameter 180° rolled edge on front. Ends are turned down 90°, providing for flush installations when required.
- Heavy gauge type 430 polished stainless steel.

Adjustable Undershelf

- Heavy gauge, galvanized.
- Gusset welded to each corner.

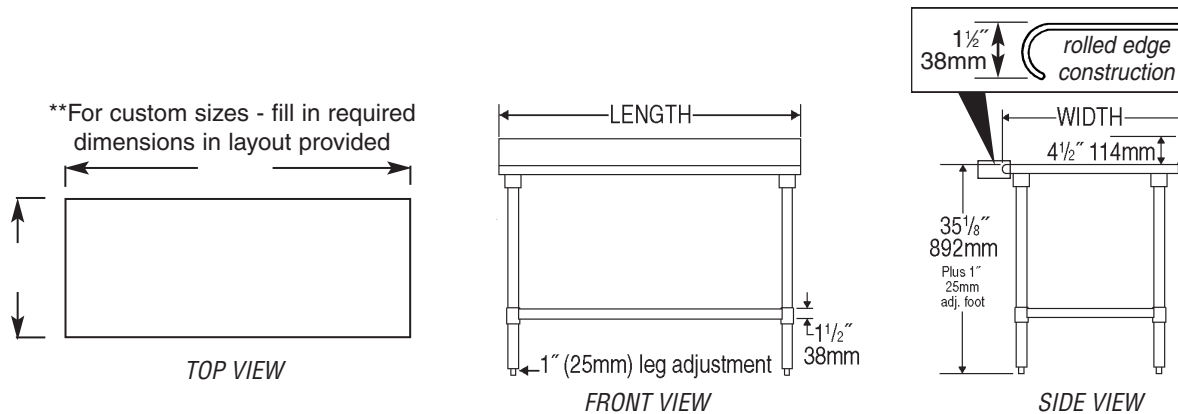
Legs—1½" (41mm)-diameter

- Tables 96" (2438mm) and longer come with six legs or more.
- Heavy gauge galvanized steel.
- 1" (25mm) adjustable hi-impact plastic feet.

Options / Accessories

- | | |
|--|--|
| <input type="checkbox"/> Drawer | <input type="checkbox"/> Duplex receptacles |
| <input type="checkbox"/> Lock | <input type="checkbox"/> Pot rack |
| <input type="checkbox"/> Casters | <input type="checkbox"/> Sink |
| <input type="checkbox"/> Stainless steel bullet feet | <input type="checkbox"/> Additional undershelf |
| <input type="checkbox"/> Overshelves | <input type="checkbox"/> Stabilizer Bar (for 30"- and 36"-wide tables) |

Worktables with Backsplash and Galvanized Base with Undershef—Budget Series



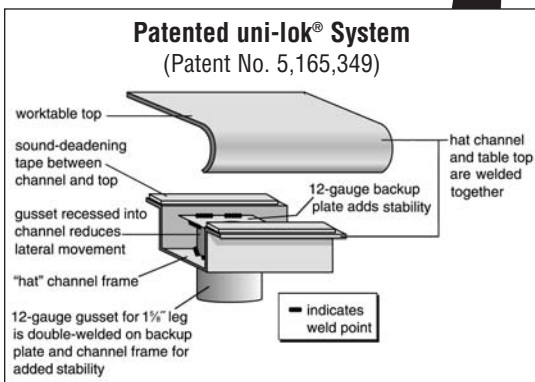
model #	# of legs	width		length		weight	
		in.	mm	in.	mm	lbs.	kg
T2424B-BS	4	24"	610	24"	610	43	19.5
T2430B-BS	4	24"	610	30"	762	48	21.8
T2436B-BS	4	24"	610	36"	914	53	24.0
T2448B-BS	4	24"	610	48"	1219	63	28.6
T2460B-BS	4	24"	610	60"	1524	73	33.1
T2472B-BS	4	24"	610	72"	1829	85	38.6
T2484B-BS	4	24"	610	84"	2134	97	44.0
T2496B-BS	6	24"	610	96"	2438	114	51.7
T24108B-BS	6	24"	610	108"	2743	142	64.4
T24120B-BS	6	24"	610	120"	3048	154	69.9
T24132B-BS	8	24"	610	132"	3353	166	75.3
T24144B-BS	8	24"	610	144"	3658	178	80.7
T3030B-BS	4	30"	762	30"	762	50	22.7
T3036B-BS	4	30"	762	36"	914	53	24.0
T3048B-BS	4	30"	762	48"	1219	70	31.8
T3060B-BS	4	30"	762	60"	1524	81	36.7
T3072B-BS	4	30"	762	72"	1829	94	42.6
T3084B-BS	4	30"	762	84"	2134	108	49.0
T3096B-BS	6	30"	762	96"	2438	130	59.0
T30108B-BS	6	30"	762	108"	2743	150	68.0
T30120B-BS	6	30"	762	120"	3048	170	77.1
T30132B-BS	8	30"	762	132"	3353	188	85.3
T30144B-BS	8	30"	762	144"	3658	207	93.9
T3648B-BS	4	36"	914	48"	1219	77	34.9
T3660B-BS	4	36"	914	60"	1524	90	40.8
T3672B-BS	4	36"	914	72"	1829	106	48.1
T3684B-BS	4	36"	914	84"	2134	123	55.8
T3696B-BS	6	36"	914	96"	2438	132	59.9
T36108B-BS	6	36"	914	108"	2743	169	76.7
T36120B-BS	6	36"	914	120"	3048	192	87.1
T36132B-BS	8	36"	914	132"	3353	216	98.0
T36144B-BS	8	36"	914	144"	3658	239	108.4

Short Form Specifications

Eagle worktables, Deluxe series, model _____. Top to be constructed of 16/304 stainless steel with 1½" roll on front, 4½" backsplash, and sides turned down 90°. Undershef to be adjustable and constructed of heavy gauge galvanized steel. Top reinforced with welded hat channels, and sound deadened. Constructed with uni-lok® patented gusset system with the gussets recessed into the hat channels to reduce lateral movement. Legs to be 1½" O.D. galvanized tubing, with galvanized gussets and 1" hi-impact plastic bullet feet.



worktable with backsplash and undershef



Worktables with Backsplash and Galvanized Base with Undershef —Deluxe Series

MODELS:

- | | | | |
|-------------------------------------|--------------------------------------|--------------------------------------|--------------------------------------|
| <input type="checkbox"/> T2424EB-BS | <input type="checkbox"/> T24108EB-BS | <input type="checkbox"/> T3072EB-BS | <input type="checkbox"/> T3660EB-BS |
| <input type="checkbox"/> T2430EB-BS | <input type="checkbox"/> T24120EB-BS | <input type="checkbox"/> T3084EB-BS | <input type="checkbox"/> T3672EB-BS |
| <input type="checkbox"/> T2436EB-BS | <input type="checkbox"/> T24132EB-BS | <input type="checkbox"/> T3096EB-BS | <input type="checkbox"/> T3684EB-BS |
| <input type="checkbox"/> T2448EB-BS | <input type="checkbox"/> T24144EB-BS | <input type="checkbox"/> T30108EB-BS | <input type="checkbox"/> T3696EB-BS |
| <input type="checkbox"/> T2460EB-BS | <input type="checkbox"/> T3030EB-BS | <input type="checkbox"/> T30120EB-BS | <input type="checkbox"/> T36108EB-BS |
| <input type="checkbox"/> T2472EB-BS | <input type="checkbox"/> T3036EB-BS | <input type="checkbox"/> T30132EB-BS | <input type="checkbox"/> T36120EB-BS |
| <input type="checkbox"/> T2484EB-BS | <input type="checkbox"/> T3048EB-BS | <input type="checkbox"/> T30144EB-BS | <input type="checkbox"/> T36132EB-BS |
| <input type="checkbox"/> T2496EB-BS | <input type="checkbox"/> T3060EB-BS | <input type="checkbox"/> T3648EB-BS | <input type="checkbox"/> T36144EB-BS |

Tabletop

- Patented uni-lok® gusset system (patent #5,165,349): gussets are recessed into hat channel, reducing lateral movement.
- Top reinforced with welded-on hat channel.
- Sound-deadened between top and channels.
- 4½" (114mm)-high 90° backsplash with 1" (25mm) turn at 90°.
- 1½" (38mm)-diameter 180° rolled edge on front. Ends are turned down 90°, providing for flush installations when required.
- 16 gauge type 304 polished stainless steel.

Adjustable Undershef

- Heavy gauge, galvanized.
- Gusset welded to each corner.

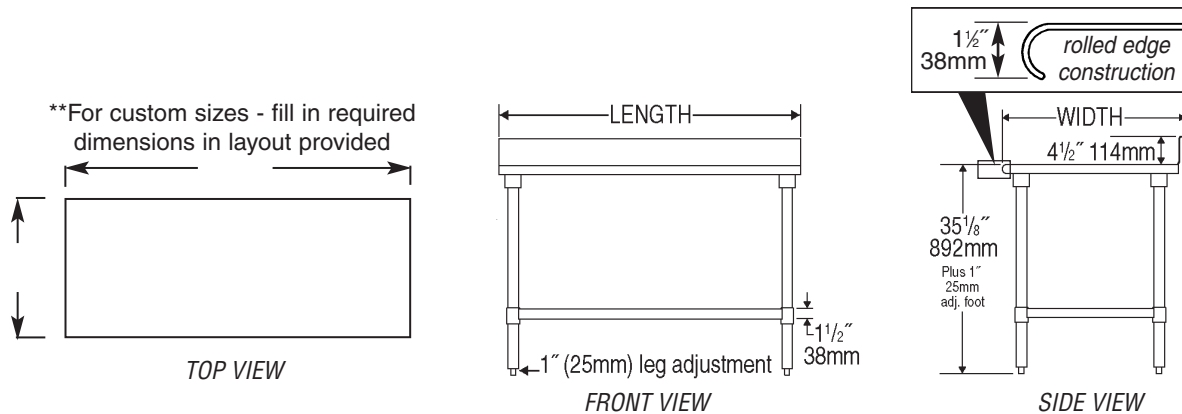
Legs—1½" (41mm)-diameter

- Tables 96" (2438mm) and longer come with six legs or more.
- Heavy gauge galvanized steel.
- 1" (25mm) adjustable hi-impact plastic feet.

Options / Accessories

- | | |
|--|--|
| <input type="checkbox"/> Drawer | <input type="checkbox"/> Duplex receptacles |
| <input type="checkbox"/> Lock | <input type="checkbox"/> Pot rack |
| <input type="checkbox"/> Casters | <input type="checkbox"/> Sink |
| <input type="checkbox"/> Stainless steel bullet feet | <input type="checkbox"/> Additional undershef |
| <input type="checkbox"/> Overshelves | <input type="checkbox"/> Stabilizer Bar (for 30"- and 36"-wide tables) |

Worktables with Backsplash and Galvanized Base with Undershef—Deluxe Series



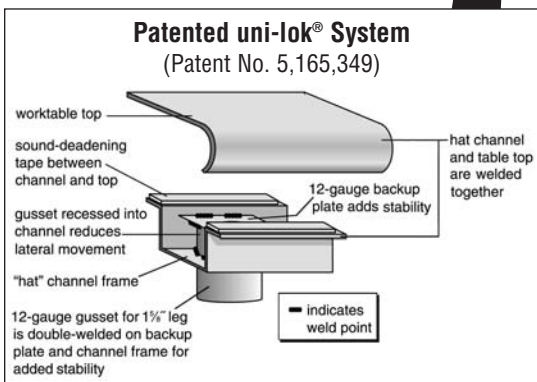
model #	# of legs	width		length		weight	
		in.	mm	in.	mm	lbs.	kg
T2424EB-BS	4	24"	610	24"	610	43	19.5
T2430EB-BS	4	24"	610	30"	762	48	21.8
T2436EB-BS	4	24"	610	36"	914	53	24.0
T2448EB-BS	4	24"	610	48"	1219	63	28.6
T2460EB-BS	4	24"	610	60"	1524	73	33.1
T2472EB-BS	4	24"	610	72"	1829	85	38.6
T2484EB-BS	4	24"	610	84"	2134	97	44.0
T2496EB-BS	6	24"	610	96"	2438	114	51.7
T24108EB-BS	6	24"	610	108"	2743	142	64.4
T24120EB-BS	6	24"	610	120"	3048	154	69.9
T24132EB-BS	8	24"	610	132"	3353	166	75.3
T24144EB-BS	8	24"	610	144"	3658	178	80.7
T3030EB-BS	4	30"	762	30"	762	50	22.7
T3036EB-BS	4	30"	762	36"	914	53	24.0
T3048EB-BS	4	30"	762	48"	1219	70	31.8
T3060EB-BS	4	30"	762	60"	1524	81	36.7
T3072EB-BS	4	30"	762	72"	1829	94	42.6
T3084EB-BS	4	30"	762	84"	2134	108	49.0
T3096EB-BS	6	30"	762	96"	2438	130	59.0
T30108EB-BS	6	30"	762	108"	2743	150	68.0
T30120EB-BS	6	30"	762	120"	3048	170	77.1
T30132EB-BS	8	30"	762	132"	3353	188	85.3
T30144EB-BS	8	30"	762	144"	3658	207	93.9
T3648EB-BS	4	36"	914	48"	1219	77	34.9
T3660EB-BS	4	36"	914	60"	1524	90	40.8
T3672EB-BS	4	36"	914	72"	1829	106	48.1
T3684EB-BS	4	36"	914	84"	2134	123	55.8
T3696EB-BS	6	36"	914	96"	2438	132	59.9
T36108EB-BS	6	36"	914	108"	2743	169	76.7
T36120EB-BS	6	36"	914	120"	3048	192	87.1
T36132EB-BS	8	36"	914	132"	3353	216	98.0
T36144EB-BS	8	36"	914	144"	3658	239	108.4

Short Form Specifications

Eagle worktables, Spec-Master® series, model _____.
 Top to be constructed of 14/304 stainless steel with 1½" roll on front, 4½" backsplash, and sides turned down 90°. Undershelf to be adjustable and constructed of heavy gauge galvanized steel. Top reinforced with welded hat channels, and sound deadened. Constructed with uni-lok® patented gusset system with the gussets recessed into the hat channels to reduce lateral movement. Legs to be 1½" O.D. galvanized tubing, with galvanized gussets and 1" hi-impact plastic bullet feet.



worktable with backsplash and undershelf



Worktables with Backsplash and Galvanized Base with Undershelf —Spec-Master® Series

MODELS:

- | | | | |
|------------------------------------|-------------------------------------|-------------------------------------|-------------------------------------|
| <input type="checkbox"/> T2424E-BS | <input type="checkbox"/> T24108E-BS | <input type="checkbox"/> T3072E-BS | <input type="checkbox"/> T3660E-BS |
| <input type="checkbox"/> T2430E-BS | <input type="checkbox"/> T24120E-BS | <input type="checkbox"/> T3084E-BS | <input type="checkbox"/> T3672E-BS |
| <input type="checkbox"/> T2436E-BS | <input type="checkbox"/> T24132E-BS | <input type="checkbox"/> T3096E-BS | <input type="checkbox"/> T3684E-BS |
| <input type="checkbox"/> T2448E-BS | <input type="checkbox"/> T24144E-BS | <input type="checkbox"/> T30108E-BS | <input type="checkbox"/> T3696E-BS |
| <input type="checkbox"/> T2460E-BS | <input type="checkbox"/> T3030E-BS | <input type="checkbox"/> T30120E-BS | <input type="checkbox"/> T36108E-BS |
| <input type="checkbox"/> T2472E-BS | <input type="checkbox"/> T3036E-BS | <input type="checkbox"/> T30132E-BS | <input type="checkbox"/> T36120E-BS |
| <input type="checkbox"/> T2484E-BS | <input type="checkbox"/> T3048E-BS | <input type="checkbox"/> T30144E-BS | <input type="checkbox"/> T36132E-BS |
| <input type="checkbox"/> T2496E-BS | <input type="checkbox"/> T3060E-BS | <input type="checkbox"/> T3648E-BS | <input type="checkbox"/> T36144E-BS |

Tabletop

- Patented uni-lok® gusset system (patent #5,165,349): gussets are recessed into hat channel, reducing lateral movement.
- Top reinforced with welded-on hat channel.
- Sound-deadened between top and channels.
- 4½" (114mm)-high 90° backsplash with 1" (25mm) turn at 90°.
- 1½" (38mm)-diameter 180° rolled edge on front. Ends are turned down 90°, providing for flush installations when required.
- 14 gauge type 304 polished stainless steel.

Adjustable Undershelf

- Heavy gauge, galvanized.
- Gusset welded to each corner.

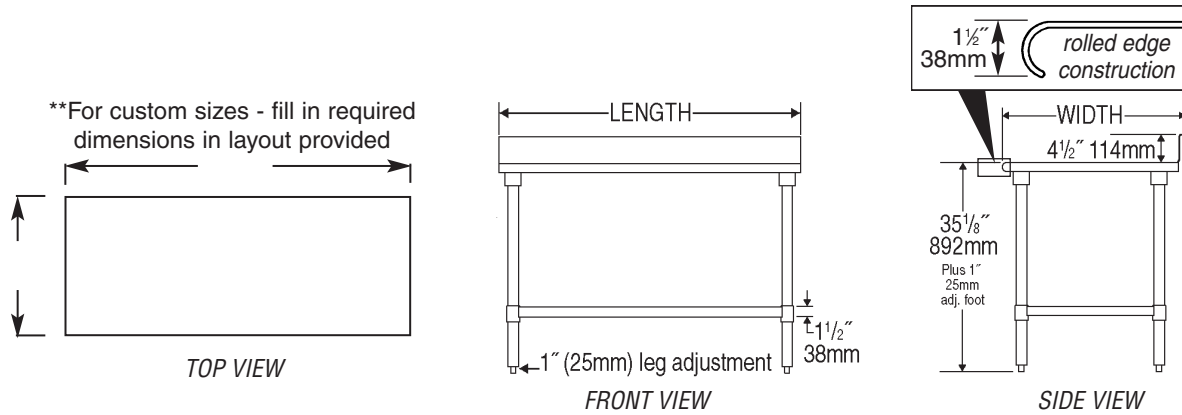
Legs—1½" (41mm)-diameter

- Tables 96" (2438mm) and longer come with six legs or more.
- Heavy gauge galvanized steel.
- 1" (25mm) adjustable hi-impact plastic feet.

Options / Accessories

- | | |
|--|--|
| <input type="checkbox"/> Drawer | <input type="checkbox"/> Duplex receptacles |
| <input type="checkbox"/> Lock | <input type="checkbox"/> Pot rack |
| <input type="checkbox"/> Casters | <input type="checkbox"/> Sink |
| <input type="checkbox"/> Stainless steel bullet feet | <input type="checkbox"/> Additional undershelf |
| <input type="checkbox"/> Overshelves | <input type="checkbox"/> Stabilizer Bar (for 30"- and 36"-wide tables) |

Worktables with Backsplash and Galvanized Base with Undershelf—Spec-Master® Series



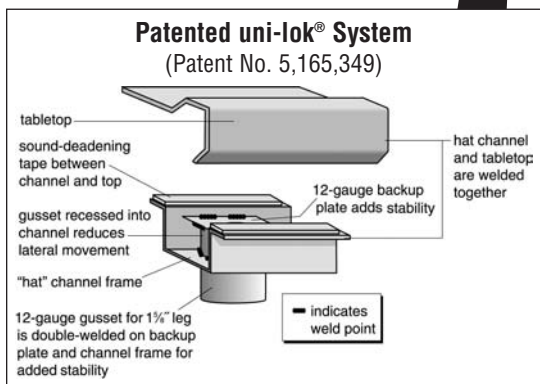
model #	# of legs	width		length		weight	
		in.	mm	in.	mm	lbs.	kg
T2424E-BS	4	24"	610	24"	610	47	21.3
T2430E-BS	4	24"	610	30"	762	53	24.0
T2436E-BS	4	24"	610	36"	914	58	26.3
T2448E-BS	4	24"	610	48"	1219	69	31.3
T2460E-BS	4	24"	610	60"	1524	80	36.3
T2472E-BS	4	24"	610	72"	1829	94	42.6
T2484E-BS	4	24"	610	84"	2134	107	48.5
T2496E-BS	6	24"	610	96"	2438	126	57.2
T24108E-BS	6	24"	610	108"	2743	156	70.8
T24120E-BS	6	24"	610	120"	3048	170	77.1
T24132E-BS	8	24"	610	132"	3353	183	83.0
T24144E-BS	8	24"	610	144"	3658	196	88.9
T3030E-BS	4	30"	762	30"	762	55	24.9
T3036E-BS	4	30"	762	36"	914	58	26.3
T3048E-BS	4	30"	762	48"	1219	77	34.9
T3060E-BS	4	30"	762	60"	1524	89	40.4
T3072E-BS	4	30"	762	72"	1829	103	46.3
T3084E-BS	4	30"	762	84"	2134	119	54.0
T3096E-BS	6	30"	762	96"	2438	143	64.9
T30108E-BS	6	30"	762	108"	2743	165	74.8
T30120E-BS	6	30"	762	120"	3048	187	84.8
T30132E-BS	8	30"	762	132"	3353	207	93.9
T30144E-BS	8	30"	762	144"	3658	228	103.4
T3648E-BS	4	36"	914	48"	1219	85	38.6
T3660E-BS	4	36"	914	60"	1524	99	44.9
T3672E-BS	4	36"	914	72"	1829	117	53.1
T3684E-BS	4	36"	914	84"	2134	135	61.2
T3696E-BS	6	36"	914	96"	2438	145	65.8
T36108E-BS	6	36"	914	108"	2743	186	84.4
T36120E-BS	6	36"	914	120"	3048	211	95.7
T36132E-BS	8	36"	914	132"	3353	238	108.0
T36144E-BS	8	36"	914	144"	3658	263	119.3

Short Form Specifications

Eagle worktables, Spec-Master® Marine series, model _____. Top to be constructed of 14/304 stainless steel, with 2 1/16" marine counter style edge on all sides and 4" backsplash. Undershef to be adjustable and constructed of heavy gauge galvanized steel. Top reinforced with welded hat channels, and sound deadened. Constructed with uni-lok® patented gusset system with the gussets recessed into the hat channels to reduce lateral movement. Legs to be 1 1/2" O.D. galvanized tubing, with galvanized gussets and 1" hi-impact plastic bullet feet.



worktable with backsplash and undershef



Worktables with Backsplash and Galvanized Base with Undershef —Spec-Master® Marine Series

MODELS:

- | | | | |
|-------------------------------------|--------------------------------------|--------------------------------------|--------------------------------------|
| <input type="checkbox"/> T2424EM-BS | <input type="checkbox"/> T24108EM-BS | <input type="checkbox"/> T3072EM-BS | <input type="checkbox"/> T3660EM-BS |
| <input type="checkbox"/> T2430EM-BS | <input type="checkbox"/> T24120EM-BS | <input type="checkbox"/> T3084EM-BS | <input type="checkbox"/> T3672EM-BS |
| <input type="checkbox"/> T2436EM-BS | <input type="checkbox"/> T24132EM-BS | <input type="checkbox"/> T3096EM-BS | <input type="checkbox"/> T3684EM-BS |
| <input type="checkbox"/> T2448EM-BS | <input type="checkbox"/> T24144EM-BS | <input type="checkbox"/> T30108EM-BS | <input type="checkbox"/> T3696EM-BS |
| <input type="checkbox"/> T2460EM-BS | <input type="checkbox"/> T3030EM-BS | <input type="checkbox"/> T30120EM-BS | <input type="checkbox"/> T36108EM-BS |
| <input type="checkbox"/> T2472EM-BS | <input type="checkbox"/> T3036EM-BS | <input type="checkbox"/> T30132EM-BS | <input type="checkbox"/> T36120EM-BS |
| <input type="checkbox"/> T2484EM-BS | <input type="checkbox"/> T3048EM-BS | <input type="checkbox"/> T30144EM-BS | <input type="checkbox"/> T36132EM-BS |
| <input type="checkbox"/> T2496EM-BS | <input type="checkbox"/> T3060EM-BS | <input type="checkbox"/> T3648EM-BS | <input type="checkbox"/> T36144EM-BS |

Tabletop

- Patented uni-lok® gusset system (patent #5,165,349): gussets are recessed into hat channel, reducing lateral movement.
- Top reinforced with welded-on hat channel.
- Sound-deadened between top and channels.
- 4 1/2" (114mm)-high 90° backsplash with 1" (25mm) turn at 90°.
- Marine counter edge on front and ends.
- 14 gauge type 304 polished stainless steel.

Adjustable Undershef

- Heavy gauge, galvanized.
- Gusset welded to each corner.

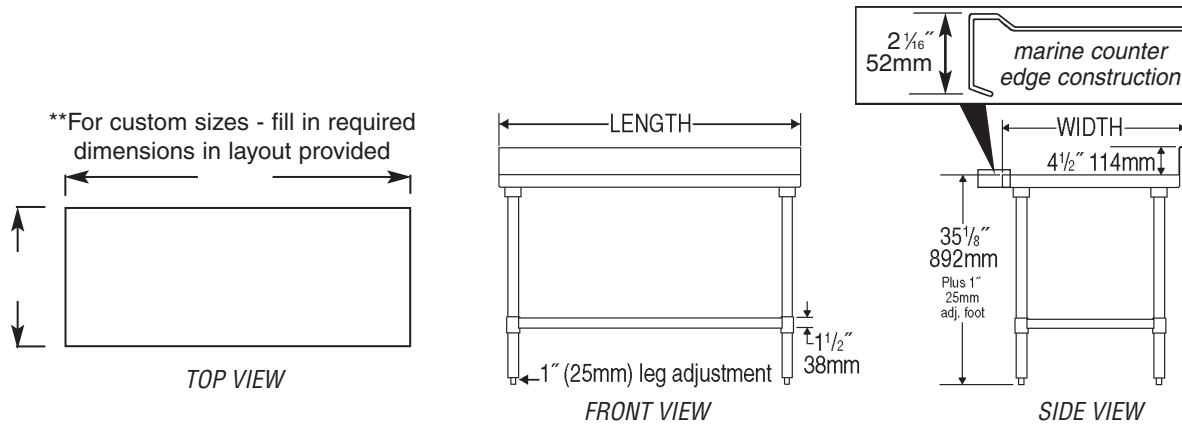
Legs—1 1/2" (41mm)-diameter

- Tables 96" (2438mm) and longer come with six legs or more.
- Heavy gauge galvanized steel.
- 1" (25mm) adjustable hi-impact plastic feet.

Options / Accessories

- | | |
|--|--|
| <input type="checkbox"/> Drawer | <input type="checkbox"/> Duplex receptacles |
| <input type="checkbox"/> Lock | <input type="checkbox"/> Pot rack |
| <input type="checkbox"/> Casters | <input type="checkbox"/> Sink |
| <input type="checkbox"/> Stainless steel bullet feet | <input type="checkbox"/> Additional undershef |
| <input type="checkbox"/> Overshelves | <input type="checkbox"/> Stabilizer Bar (for 30"- and 36"-wide tables) |

Worktables with Backsplash and Galvanized Base with Undershelf—Spec-Master® Marine Series



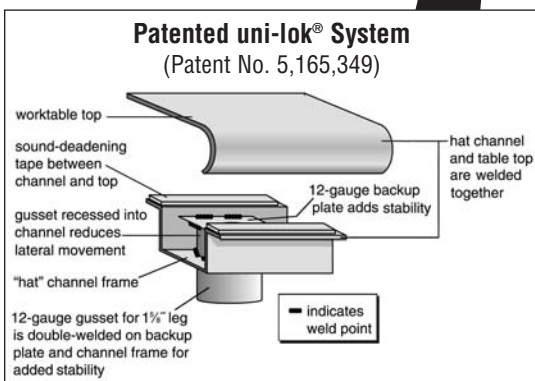
model #	# of legs	width		length		weight	
		in.	mm	in.	mm	lbs.	kg
T2424EM-BS	4	24"	610	24"	610	47	21.3
T2430EM-BS	4	24"	610	30"	762	53	24.0
T2436EM-BS	4	24"	610	36"	914	58	26.3
T2448EM-BS	4	24"	610	48"	1219	69	31.3
T2460EM-BS	4	24"	610	60"	1524	80	36.3
T2472EM-BS	4	24"	610	72"	1829	94	42.6
T2484EM-BS	4	24"	610	84"	2134	107	48.5
T2496EM-BS	6	24"	610	96"	2438	126	57.2
T24108EM-BS	6	24"	610	108"	2743	156	70.8
T24120EM-BS	6	24"	610	120"	3048	170	77.1
T24132EM-BS	8	24"	610	132"	3353	183	83.0
T24144EM-BS	8	24"	610	144"	3658	196	88.9
T3030EM-BS	4	30"	762	30"	762	55	24.9
T3036EM-BS	4	30"	762	36"	914	58	26.3
T3048EM-BS	4	30"	762	48"	1219	77	34.9
T3060EM-BS	4	30"	762	60"	1524	89	40.4
T3072EM-BS	4	30"	762	72"	1829	103	46.3
T3084EM-BS	4	30"	762	84"	2134	119	54.0
T3096EM-BS	6	30"	762	96"	2438	143	64.9
T30108EM-BS	6	30"	762	108"	2743	165	74.8
T30120EM-BS	6	30"	762	120"	3048	187	84.8
T30132EM-BS	8	30"	762	132"	3353	207	93.9
T30144EM-BS	8	30"	762	144"	3658	228	103.4
T3648EM-BS	4	36"	914	48"	1219	85	38.6
T3660EM-BS	4	36"	914	60"	1524	99	44.9
T3672EM-BS	4	36"	914	72"	1829	117	53.1
T3684EM-BS	4	36"	914	84"	2134	135	61.2
T3696EM-BS	6	36"	914	96"	2438	145	65.8
T36108EM-BS	6	36"	914	108"	2743	186	84.4
T36120EM-BS	6	36"	914	120"	3048	211	95.7
T36132EM-BS	8	36"	914	132"	3353	238	108.0
T36144EM-BS	8	36"	914	144"	3658	263	119.3

Short Form Specifications

Eagle worktables, Budget series model _____. Top to be constructed of heavy gauge type 430 stainless steel with 1½" roll on front, 4½" backsplash, and sides turned down 90°. Open front with 1¼" O.D. galvanized tubular crossbracing on sides and rear. Top reinforced with hat channels and sound deadened. Constructed with uni-lok® patented gusset system with the gussets recessed into the hat channels to reduce lateral movement. Legs to be 1½" O.D. galvanized tubing, with galvanized gussets and 1" hi-impact plastic bullet feet.



*worktable with backsplash
and tubular base
—shown with optional drawer*



Worktables with Backsplash and Galvanized Tubular Base —Budget Series

MODELS:

- | | | | |
|--------------------------------------|---------------------------------------|---------------------------------------|---------------------------------------|
| <input type="checkbox"/> T2424GTB-BS | <input type="checkbox"/> T24108GTB-BS | <input type="checkbox"/> T3072GTB-BS | <input type="checkbox"/> T3660GTB-BS |
| <input type="checkbox"/> T2430GTB-BS | <input type="checkbox"/> T24120GTB-BS | <input type="checkbox"/> T3084GTB-BS | <input type="checkbox"/> T3672GTB-BS |
| <input type="checkbox"/> T2436GTB-BS | <input type="checkbox"/> T24132GTB-BS | <input type="checkbox"/> T3096GTB-BS | <input type="checkbox"/> T3684GTB-BS |
| <input type="checkbox"/> T2448GTB-BS | <input type="checkbox"/> T24144GTB-BS | <input type="checkbox"/> T30108GTB-BS | <input type="checkbox"/> T3696GTB-BS |
| <input type="checkbox"/> T2460GTB-BS | <input type="checkbox"/> T3030GTB-BS | <input type="checkbox"/> T30120GTB-BS | <input type="checkbox"/> T36108GTB-BS |
| <input type="checkbox"/> T2472GTB-BS | <input type="checkbox"/> T3036GTB-BS | <input type="checkbox"/> T30132GTB-BS | <input type="checkbox"/> T36120GTB-BS |
| <input type="checkbox"/> T2484GTB-BS | <input type="checkbox"/> T3048GTB-BS | <input type="checkbox"/> T30144GTB-BS | <input type="checkbox"/> T36132GTB-BS |
| <input type="checkbox"/> T2496GTB-BS | <input type="checkbox"/> T3060GTB-BS | <input type="checkbox"/> T3648GTB-BS | <input type="checkbox"/> T36144GTB-BS |

Tabletop

- Patented uni-lok® gusset system (patent #5,165,349): gussets are recessed into hat channel, reducing lateral movement.
- Top reinforced with welded-on hat channel.
- Sound-deadened between top and channels.
- 4½" (114mm)-high 90° backsplash with 1" (25mm) turn at 90°.
- 1½" (38mm)-diameter 180° rolled edge on front. Ends are turned down 90°, providing for flush installations when required.
- Heavy gauge type 430 polished stainless steel.

Crossbracing—1¼" (38mm)-diameter

- Heavy gauge, galvanized.
- Aluminum castings join crossbraces, legs and rear brace.

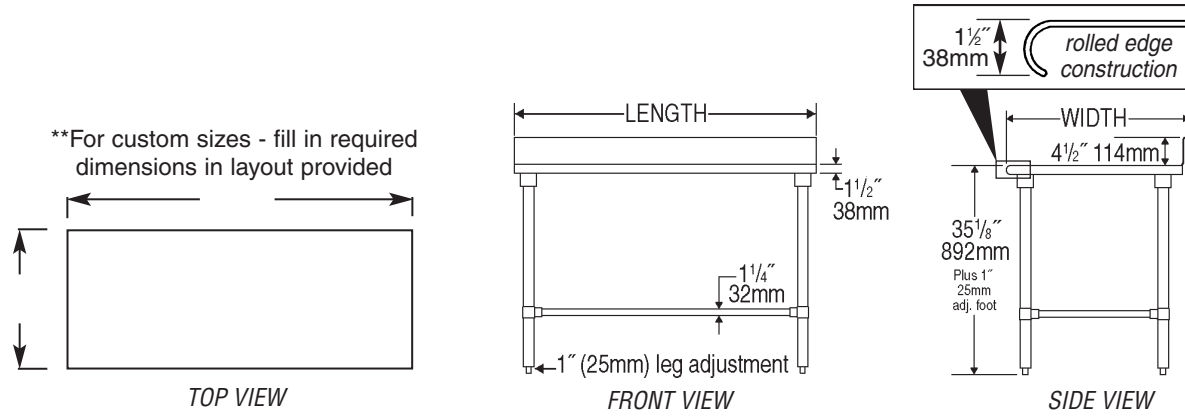
Legs—1½" (41mm)-diameter

- Tables 96" (2438mm) and longer come with six legs or more.
- Heavy gauge galvanized steel.
- 1" (25mm) adjustable hi-impact plastic feet.

Options / Accessories

- | | |
|--|--|
| <input type="checkbox"/> Drawer | <input type="checkbox"/> Duplex receptacles |
| <input type="checkbox"/> Lock | <input type="checkbox"/> Pot rack |
| <input type="checkbox"/> Casters | <input type="checkbox"/> Sink |
| <input type="checkbox"/> Stainless steel bullet feet | <input type="checkbox"/> Stabilizer Bar (for 30"- and 36"-wide tables) |
| <input type="checkbox"/> Overshelves | |

Worktables with Backsplash and Galvanized Tubular Base —Budget Series



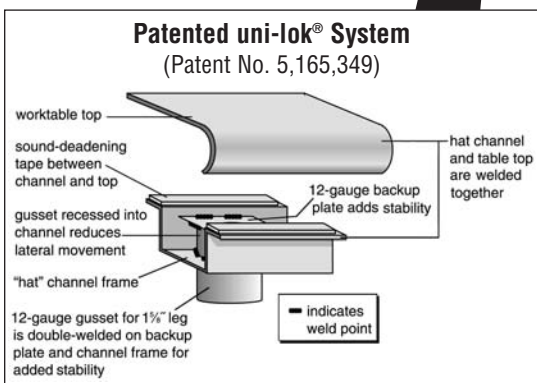
model #	# of legs	width		length		weight	
		in.	mm	in.	mm	lbs.	kg
T2424GTB-BS	4	24"	610	24"	610	41	18.6
T2430GTB-BS	4	24"	610	30"	762	46	20.9
T2436GTB-BS	4	24"	610	36"	914	51	23.1
T2448GTB-BS	4	24"	610	48"	1219	61	27.7
T2460GTB-BS	4	24"	610	60"	1524	71	32.2
T2472GTB-BS	4	24"	610	72"	1829	81	36.7
T2484GTB-BS	4	24"	610	84"	2134	91	41.3
T2496GTB-BS	6	24"	610	96"	2438	101	45.8
T24108GTB-BS	6	24"	610	108"	2743	111	50.3
T24120GTB-BS	6	24"	610	120"	3048	121	54.9
T24132GTB-BS	8	24"	610	132"	3353	131	59.4
T24144GTB-BS	8	24"	610	144"	3658	141	64.0
T3030GTB-BS	4	30"	762	30"	762	51	23.1
T3036GTB-BS	4	30"	762	36"	914	56	25.4
T3048GTB-BS	4	30"	762	48"	1219	66	29.9
T3060GTB-BS	4	30"	762	60"	1524	76	34.5
T3072GTB-BS	4	30"	762	72"	1829	86	39.0
T3084GTB-BS	4	30"	762	84"	2134	96	43.6
T3096GTB-BS	6	30"	762	96"	2438	106	48.1
T30108GTB-BS	6	30"	762	108"	2743	116	52.6
T30120GTB-BS	6	30"	762	120"	3048	126	57.2
T30132GTB-BS	8	30"	762	132"	3353	136	61.7
T30144GTB-BS	8	30"	762	144"	3658	146	66.2
T3648GTB-BS	4	36"	914	48"	1219	71	32.2
T3660GTB-BS	4	36"	914	60"	1524	81	36.7
T3672GTB-BS	4	36"	914	72"	1829	91	41.3
T3684GTB-BS	4	36"	914	84"	2134	101	45.8
T3696GTB-BS	6	36"	914	96"	2438	111	50.3
T36108GTB-BS	6	36"	914	108"	2743	121	54.9
T36120GTB-BS	6	36"	914	120"	3048	131	59.4
T36132GTB-BS	8	36"	914	132"	3353	141	64.0
T36144GTB-BS	8	36"	914	144"	3658	151	68.5

Short Form Specifications

Eagle worktables, Spec-Master® series, model _____ . Top to be constructed of 14/304 stainless steel with 1½" roll on front, 4½" backsplash, and sides turned down 90°. Open front with 1¼" O.D. galvanized tubular crossbracing on sides and rear. Top reinforced with welded hat channels and sound deadened. Constructed with uni-lok® patented gusset system with the gussets recessed into the hat channels to reduce lateral movement. Legs to be 1½" O.D. galvanized tubing, with galvanized gussets and 1" hi-impact plastic bullet feet.



*worktable with backsplash
and tubular base
—shown with optional drawer*



Worktables with Backsplash and Galvanized Tubular Base —Spec-Master® Series

MODELS:

<input type="checkbox"/> T2424GTE-BS	<input type="checkbox"/> T24108GTE-BS	<input type="checkbox"/> T3072GTE-BS	<input type="checkbox"/> T3660GTE-BS
<input type="checkbox"/> T2430GTE-BS	<input type="checkbox"/> T24120GTE-BS	<input type="checkbox"/> T3084GTE-BS	<input type="checkbox"/> T3672GTE-BS
<input type="checkbox"/> T2436GTE-BS	<input type="checkbox"/> T24132GTE-BS	<input type="checkbox"/> T3096GTE-BS	<input type="checkbox"/> T3684GTE-BS
<input type="checkbox"/> T2448GTE-BS	<input type="checkbox"/> T24144GTE-BS	<input type="checkbox"/> T30108GTE-BS	<input type="checkbox"/> T3696GTE-BS
<input type="checkbox"/> T2460GTE-BS	<input type="checkbox"/> T3030GTE-BS	<input type="checkbox"/> T30120GTE-BS	<input type="checkbox"/> T36108GTE-BS
<input type="checkbox"/> T2472GTE-BS	<input type="checkbox"/> T3036GTE-BS	<input type="checkbox"/> T30132GTE-BS	<input type="checkbox"/> T36120GTE-BS
<input type="checkbox"/> T2484GTE-BS	<input type="checkbox"/> T3048GTE-BS	<input type="checkbox"/> T30144GTE-BS	<input type="checkbox"/> T36132GTE-BS
<input type="checkbox"/> T2496GTE-BS	<input type="checkbox"/> T3060GTE-BS	<input type="checkbox"/> T3648GTE-BS	<input type="checkbox"/> T36144GTE-BS

Tabletop

- Patented uni-lok® gusset system (patent #5,165,349): gussets are recessed into hat channel, reducing lateral movement.
- Top reinforced with welded-on hat channel.
- Sound-deadened between top and channels.
- 4½" (114mm)-high 90° backsplash with 1" (25mm) turn at 90°.
- 1½" (38mm)-diameter 180° rolled edge on front. Ends are turned down 90°, providing for flush installations when required.
- 14 gauge type 304 polished stainless steel.

Crossbracing—1¼" (38mm)-diameter

- Heavy gauge, galvanized.
- Aluminum castings join crossbraces, legs and rear brace.

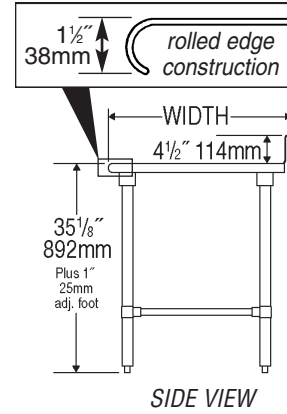
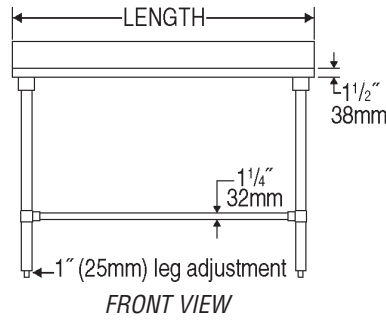
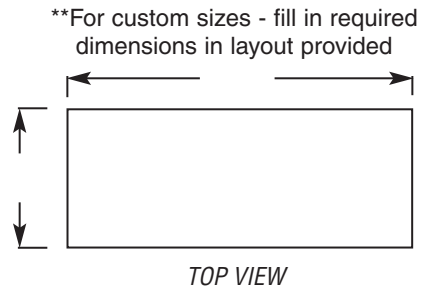
Legs—1½" (41mm)-diameter

- Tables 96" (2438mm) and longer come with six legs or more.
- Heavy gauge galvanized steel.
- 1" (25mm) adjustable hi-impact plastic feet.

Options / Accessories

- | | |
|--|--|
| <input type="checkbox"/> Drawer | <input type="checkbox"/> Duplex receptacles |
| <input type="checkbox"/> Lock | <input type="checkbox"/> Pot rack |
| <input type="checkbox"/> Casters | <input type="checkbox"/> Sink |
| <input type="checkbox"/> Stainless steel bullet feet | <input type="checkbox"/> Stabilizer Bar (for 30"- and 36"-wide tables) |
| <input type="checkbox"/> Overshelves | |

Worktables with Backsplash and Galvanized Tubular Base —Spec-Master® Series



model #	# of legs	width		length		weight	
		in.	mm	in.	mm	lbs.	kg
T2424GTE-BS	4	24"	610	24"	610	45	20.4
T2430GTE-BS	4	24"	610	30"	762	51	23.1
T2436GTE-BS	4	24"	610	36"	914	56	25.4
T2448GTE-BS	4	24"	610	48"	1219	67	30.4
T2460GTE-BS	4	24"	610	60"	1524	78	35.4
T2472GTE-BS	4	24"	610	72"	1829	89	40.4
T2484GTE-BS	4	24"	610	84"	2134	100	45.4
T2496GTE-BS	6	24"	610	96"	2438	110	49.9
T24108GTE-BS	6	24"	610	108"	2743	122	55.3
T24120GTE-BS	6	24"	610	120"	3048	133	60.3
T24132GTE-BS	8	24"	610	132"	3353	144	65.3
T24144GTE-BS	8	24"	610	144"	3658	155	70.3
T3030GTE-BS	4	30"	762	30"	762	56	25.4
T3036GTE-BS	4	30"	762	36"	914	62	28.1
T3048GTE-BS	4	30"	762	48"	1219	73	33.1
T3060GTE-BS	4	30"	762	60"	1524	84	38.1
T3072GTE-BS	4	30"	762	72"	1829	95	43.1
T3084GTE-BS	4	30"	762	84"	2134	106	48.1
T3096GTE-BS	6	30"	762	96"	2438	117	53.1
T30108GTE-BS	6	30"	762	108"	2743	128	58.1
T30120GTE-BS	6	30"	762	120"	3048	139	63.1
T30132GTE-BS	8	30"	762	132"	3353	150	68.0
T30144GTE-BS	8	30"	762	144"	3658	161	73.0
T3648GTE-BS	4	36"	914	48"	1219	78	35.4
T3660GTE-BS	4	36"	914	60"	1524	89	40.4
T3672GTE-BS	4	36"	914	72"	1829	100	45.4
T3684GTE-BS	4	36"	914	84"	2134	111	50.3
T3696GTE-BS	6	36"	914	96"	2438	122	55.3
T36108GTE-BS	6	36"	914	108"	2743	133	60.3
T36120GTE-BS	6	36"	914	120"	3048	144	65.3
T36132GTE-BS	8	36"	914	132"	3353	155	70.3
T36144GTE-BS	8	36"	914	144"	3658	166	75.3

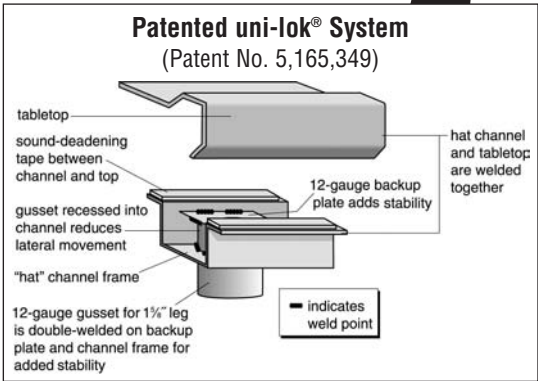
Specification Sheet

Short Form Specifications

Eagle worktables, Spec-Master® Marine series, model _____ . Top to be constructed of 14/304 stainless steel with a 2 1/16" marine counter style edging on all four sides and 4 1/2" backsplash. Open front with 1 1/4" O.D. galvanized tubular crossbracing on sides and rear. Top reinforced with welded hat channels and sound deadened. Constructed with uni-lok® patented gusset system with the gussets recessed into the hat channels to reduce lateral movement. Legs to be 1 1/2" O.D. galvanized tubing, with galvanized gussets and 1" hi-impact plastic bullet feet.



worktable with backsplash and tubular base



Worktables with Backsplash and Galvanized Tubular Base —Spec-Master® Marine Series

MODELS:

- | | | | |
|---------------------------------------|--|--|--|
| <input type="checkbox"/> T2424GTEM-BS | <input type="checkbox"/> T24108GTEM-BS | <input type="checkbox"/> T3072GTEM-BS | <input type="checkbox"/> T3660GTEM-BS |
| <input type="checkbox"/> T2430GTEM-BS | <input type="checkbox"/> T24120GTEM-BS | <input type="checkbox"/> T3084GTEM-BS | <input type="checkbox"/> T3672GTEM-BS |
| <input type="checkbox"/> T2436GTEM-BS | <input type="checkbox"/> T24132GTEM-BS | <input type="checkbox"/> T3096GTEM-BS | <input type="checkbox"/> T3684GTEM-BS |
| <input type="checkbox"/> T2448GTEM-BS | <input type="checkbox"/> T24144GTEM-BS | <input type="checkbox"/> T30108GTEM-BS | <input type="checkbox"/> T3696GTEM-BS |
| <input type="checkbox"/> T2460GTEM-BS | <input type="checkbox"/> T3030GTEM-BS | <input type="checkbox"/> T30120GTEM-BS | <input type="checkbox"/> T36108GTEM-BS |
| <input type="checkbox"/> T2472GTEM-BS | <input type="checkbox"/> T3036GTEM-BS | <input type="checkbox"/> T30132GTEM-BS | <input type="checkbox"/> T36120GTEM-BS |
| <input type="checkbox"/> T2484GTEM-BS | <input type="checkbox"/> T3048GTEM-BS | <input type="checkbox"/> T30144GTEM-BS | <input type="checkbox"/> T36132GTEM-BS |
| <input type="checkbox"/> T2496GTEM-BS | <input type="checkbox"/> T3060GTEM-BS | <input type="checkbox"/> T3648GTEM-BS | <input type="checkbox"/> T36144GTEM-BS |

Tabletop

- Patented uni-lok® gusset system (patent #5,165,349): gussets are recessed into hat channel, reducing lateral movement.
- Top reinforced with welded-on hat channel.
- Sound-deadened between top and channels.
- 4 1/2" (114mm)-high 90° backsplash with 1" (25mm) turn at 90°.
- Marine counter edge on front and ends.
- 14 gauge type 304 polished stainless steel.

Crossbracing—1 1/4" (38mm)-diameter

- Heavy gauge, galvanized.
- Aluminum castings join crossbraces, legs and rear brace.

Legs—1 1/2" (41mm)-diameter

- Tables 96" (2438mm) and longer come with six legs or more.
- Heavy gauge galvanized steel.
- 1" (25mm) adjustable hi-impact plastic feet.

Options / Accessories

- | | |
|--|--|
| <input type="checkbox"/> Drawer | <input type="checkbox"/> Duplex receptacles |
| <input type="checkbox"/> Lock | <input type="checkbox"/> Pot rack |
| <input type="checkbox"/> Casters | <input type="checkbox"/> Sink |
| <input type="checkbox"/> Stainless steel bullet feet | <input type="checkbox"/> Stabilizer Bar (for 30"- and 36"-wide tables) |
| <input type="checkbox"/> Overshelves | |

Certifications / Approvals

EAGLE GROUP
 100 Industrial Boulevard, Clayton, DE 19938-8903 USA
 Phone: 302-653-3000 • Fax: 302-653-2065
 www.eaglegrp.com

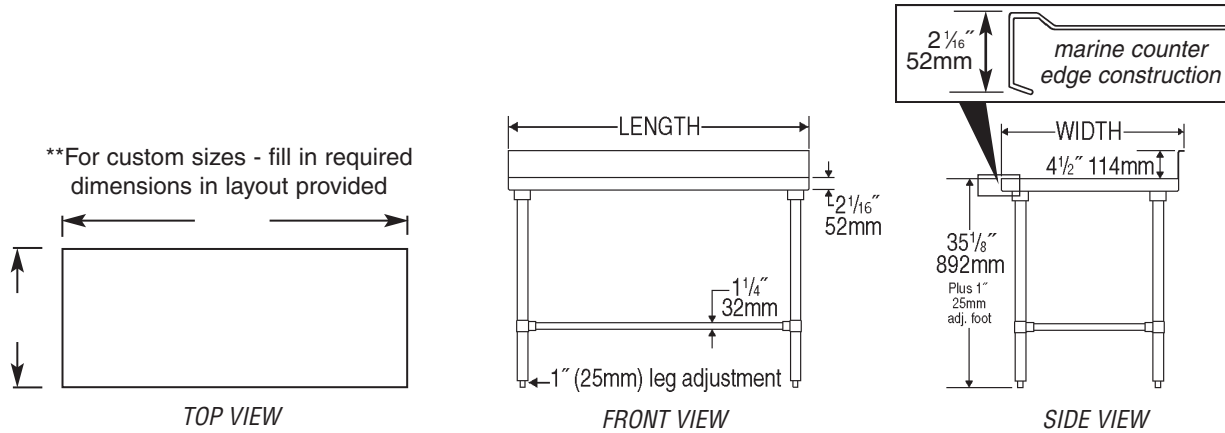
Foodservice Division: Phone 800-441-8440
MHC/Retail Display Divisions: Phone 800-637-5100

For custom configuration or fabrication needs, contact our **SpecFAB® Division**.
 Phone: 302-653-3000 • Fax: 302-653-3091 • e-mail: specfab@eaglegrp.com

EG10.46D Rev. 07/08

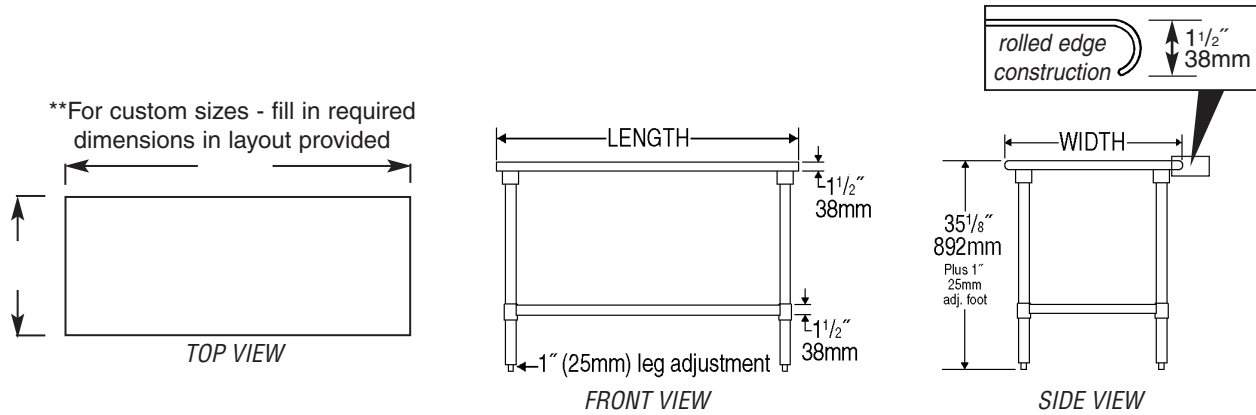
Spec sheets available for viewing, printing or downloading from our online literature library at www.eaglegrp.com

Worktables with Backsplash and Galvanized Tubular Base —Spec-Master® Marine Series



model #	# of legs	width		length		weight	
		in.	mm	in.	mm	lbs.	kg
T2424GTEM-BS	4	24"	610	24"	610	45	20.4
T2430GTEM-BS	4	24"	610	30"	762	51	23.1
T2436GTEM-BS	4	24"	610	36"	914	56	25.4
T2448GTEM-BS	4	24"	610	48"	1219	67	30.4
T2460GTEM-BS	4	24"	610	60"	1524	78	35.4
T2472GTEM-BS	4	24"	610	72"	1829	89	40.4
T2484GTEM-BS	4	24"	610	84"	2134	100	45.4
T2496GTEM-BS	6	24"	610	96"	2438	110	49.9
T24108GTEM-BS	6	24"	610	108"	2743	122	55.3
T24120GTEM-BS	6	24"	610	120"	3048	133	60.3
T24132GTEM-BS	8	24"	610	132"	3353	144	65.3
T24144GTEM-BS	8	24"	610	144"	3658	155	70.3
T3030GTEM-BS	4	30"	762	30"	762	56	25.4
T3036GTEM-BS	4	30"	762	36"	914	62	28.1
T3048GTEM-BS	4	30"	762	48"	1219	73	33.1
T3060GTEM-BS	4	30"	762	60"	1524	84	38.1
T3072GTEM-BS	4	30"	762	72"	1829	95	43.1
T3084GTEM-BS	4	30"	762	84"	2134	106	48.1
T3096GTEM-BS	6	30"	762	96"	2438	117	53.1
T30108GTEM-BS	6	30"	762	108"	2743	128	58.1
T30120GTEM-BS	6	30"	762	120"	3048	139	63.1
T30132GTEM-BS	8	30"	762	132"	3353	150	68.0
T30144GTEM-BS	8	30"	762	144"	3658	161	73.0
T3648GTEM-BS	4	36"	914	48"	1219	78	35.4
T3660GTEM-BS	4	36"	914	60"	1524	89	40.4
T3672GTEM-BS	4	36"	914	72"	1829	100	45.4
T3684GTEM-BS	4	36"	914	84"	2134	111	50.3
T3696GTEM-BS	6	36"	914	96"	2438	122	55.3
T36108GTEM-BS	6	36"	914	108"	2743	133	60.3
T36120GTEM-BS	6	36"	914	120"	3048	144	65.3
T36132GTEM-BS	8	36"	914	132"	3353	155	70.3
T36144GTEM-BS	8	36"	914	144"	3658	166	75.3

Worktables with Flat Top and Galvanized Base with Adjustable Undershef—Budget Series



model #	# of legs	width		length		weight	
		in.	mm	in.	mm	lbs.	kg
T2424B	4	24"	610	24"	610	40	18.1
T2430B	4	24"	610	30"	762	45	20.4
T2436B	4	24"	610	36"	914	50	22.7
T2448B	4	24"	610	48"	1219	60	27.2
T2460B	4	24"	610	60"	1524	70	31.8
T2472B	4	24"	610	72"	1829	80	36.3
T2484B	4	24"	610	84"	2134	90	40.8
T2496B	6	24"	610	96"	2438	100	45.4
T24108B	6	24"	610	108"	2743	110	49.9
T24120B	6	24"	610	120"	3048	120	54.4
T24132B	8	24"	610	132"	3353	130	59.0
T24144B	8	24"	610	144"	3658	140	63.5
T3030B	4	30"	762	30"	762	46	20.9
T3036B	4	30"	762	36"	914	52	23.6
T3048B	4	30"	762	48"	1219	64	29.0
T3060B	4	30"	762	60"	1524	76	34.5
T3072B	4	30"	762	72"	1829	84	38.1
T3084B	4	30"	762	84"	2134	96	43.6
T3096B	6	30"	762	96"	2438	108	49.0
T30108B	6	30"	762	108"	2743	120	54.4
T30120B	6	30"	762	120"	3048	132	59.9
T30132B	8	30"	762	132"	3353	144	65.3
T30144B	8	30"	762	144"	3658	156	70.8
T3648B	4	36"	914	48"	1219	70	31.8
T3660B	4	36"	914	60"	1524	82	37.2
T3672B	4	36"	914	72"	1829	96	43.6
T3684B	4	36"	914	84"	2134	108	49.0
T3696B	6	36"	914	96"	2438	120	54.4
T36108B	6	36"	914	108"	2743	132	59.9
T36120B	6	36"	914	120"	3048	144	65.3
T36132B	8	36"	914	132"	3353	156	70.8
T36144B	8	36"	914	144"	3658	168	76.2

EAGLE GROUP
 100 Industrial Boulevard, Clayton, DE 19938-8903 USA
 Phone: 302-653-3000 • Fax: 302-653-2065
 www.eaglegrp.com

Foodservice Division: Phone 800-441-8440
 MHC/Retail Display Divisions: Phone 800-637-5100

Printed in U.S.A.
 ©2008 by Eagle Group

Rev. 07/08

Spec sheets available for viewing, printing or downloading from our online literature library at www.eaglegrp.com

Although every attempt has been made to ensure the accuracy of the information provided, we cannot be held responsible for typographical or printing errors. Information and specifications are subject to change without notice. Please confirm at time of order.