

# Rear Upturn Stainless Steel Table Specification Sheet

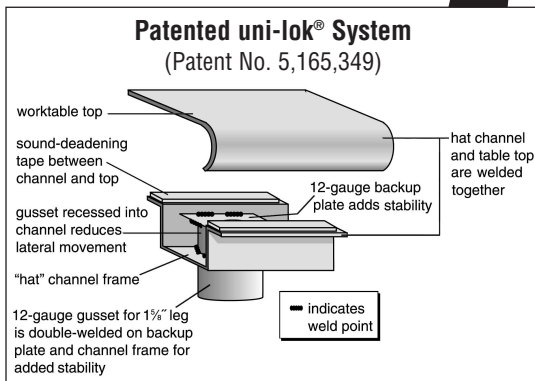
## SMS-10-V69-UT

### Short Form Specifications

Top constructed of 14 gauge 300 series stainless steel with 1½" roll on front, 1½" rear upturn, and sides turned down 90°. Open front with 1¼" O.D. galvanized tubular crossbracing on sides and rear. Top reinforced with welded hat channels and sound deadened. Constructed with uni-lok® patented gusset system with the gussets recessed into the hat channels to reduce lateral movement. Legs are 1½" O.D. galvanized tubing with galvanized gussets and 1" hi-impact plastic bullet feet.



*worktable with upturn and tubular base*



### MODELS:

- |                                    |                                     |                                     |                                     |
|------------------------------------|-------------------------------------|-------------------------------------|-------------------------------------|
| <input type="checkbox"/> UT2424GTE | <input type="checkbox"/> UT24108GTE | <input type="checkbox"/> UT3072GTE  | <input type="checkbox"/> UT3660GTE  |
| <input type="checkbox"/> UT2430GTE | <input type="checkbox"/> UT24120GTE | <input type="checkbox"/> UT3084GTE  | <input type="checkbox"/> UT3672GTE  |
| <input type="checkbox"/> UT2436GTE | <input type="checkbox"/> UT24132GTE | <input type="checkbox"/> UT3096GTE  | <input type="checkbox"/> UT3684GTE  |
| <input type="checkbox"/> UT2448GTE | <input type="checkbox"/> UT24144GTE | <input type="checkbox"/> UT30108GTE | <input type="checkbox"/> UT3696GTE  |
| <input type="checkbox"/> UT2460GTE | <input type="checkbox"/> UT3030GTE  | <input type="checkbox"/> UT30120GTE | <input type="checkbox"/> UT36108GTE |
| <input type="checkbox"/> UT2472GTE | <input type="checkbox"/> UT3036GTE  | <input type="checkbox"/> UT30132GTE | <input type="checkbox"/> UT36120GTE |
| <input type="checkbox"/> UT2484GTE | <input type="checkbox"/> UT3048GTE  | <input type="checkbox"/> UT30144GTE | <input type="checkbox"/> UT36132GTE |
| <input type="checkbox"/> UT2496GTE | <input type="checkbox"/> UT3060GTE  | <input type="checkbox"/> UT3648GTE  | <input type="checkbox"/> UT36144GTE |

### Tabletop

- Top reinforced with welded-on hat channel.
- Sound-deadened between top and channels.
- 1½" (38mm) 90° rear upturn with radius at intersection.
- 1½" (38mm)-diameter 180° rolled edge on front. Ends are turned down 90°, providing for flush installations when required.
- 14 gauge 300 series polished stainless steel.

### Crossbracing—1¼" (38mm)-diameter

- Heavy gauge, galvanized.
- Aluminum castings join rear and side crossbraces with legs.

### Legs—1½" (41mm)-diameter

- Units 96" to 120" (2438 to 3048mm) long come with six legs; Units 132" and 144" (3353 and 3658mm) come with eight legs.
- Patented uni-lok® gusset system (patent #5,165,349) is recessed into channel, reducing lateral movement.
- Heavy gauge galvanized steel.
- Galvanized gussets.
- 1" (25mm) adjustable hi-impact plastic feet.

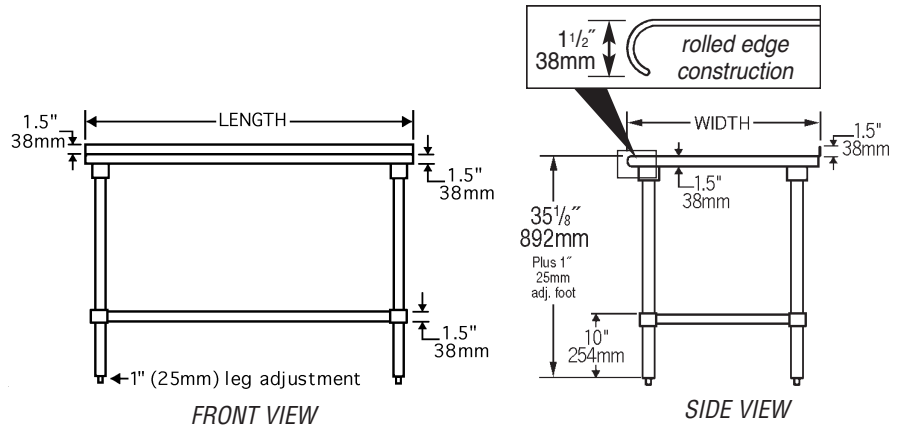
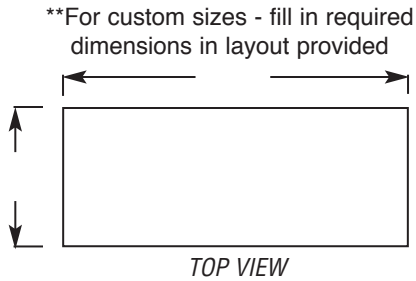
### Options / Accessories

- |  |  |
|--|--|
| <input type="checkbox"/> Drawer                      | <input type="checkbox"/> Duplex receptacles                            |
| <input type="checkbox"/> Lock                        | <input type="checkbox"/> Pot rack                                      |
| <input type="checkbox"/> Casters                     | <input type="checkbox"/> Sink  |
| <input type="checkbox"/> Stainless steel bullet feet | <input type="checkbox"/> Additional undershelf                         |
| <input type="checkbox"/> Stainless steel gussets     | <input type="checkbox"/> Stabilizer Bar (for 30"- and 36"-wide tables) |
| <input type="checkbox"/> Overshelves                 |  |



### Certifications / Approvals





model #	# of legs	width		length		weight	
		in.	mm	in.	mm	lbs.	kg
UT2424GTE	4	24"	610	24"	610	44	20.0
UT2430GTE	4	24"	610	30"	762	50	22.7
UT2436GTE	4	24"	610	36"	914	55	24.9
UT2448GTE	4	24"	610	48"	1219	66	29.9
UT2460GTE	4	24"	610	60"	1524	77	34.9
UT2472GTE	4	24"	610	72"	1829	88	39.9
UT2484GTE	4	24"	610	84"	2134	99	44.9
UT2496GTE	6	24"	610	96"	2438	110	49.9
UT24108GTE	6	24"	610	108"	2743	121	54.9
UT24120GTE	6	24"	610	120"	3048	132	59.9
UT24132GTE	8	24"	610	132"	3353	143	64.9
UT24144GTE	8	24"	610	144"	3658	154	69.9
UT3030GTE	4	30"	762	30"	762	55	24.9
UT3036GTE	4	30"	762	36"	914	58	26.3
UT3048GTE	4	30"	762	48"	1219	63	28.6
UT3060GTE	4	30"	762	60"	1524	74	33.6
UT3072GTE	4	30"	762	72"	1829	85	38.6
UT3084GTE	4	30"	762	84"	2134	96	43.6
UT3096GTE	6	30"	762	96"	2438	107	48.5
UT30108GTE	6	30"	762	108"	2743	130	59.0
UT30120GTE	6	30"	762	120"	3048	129	58.5
UT30132GTE	8	30"	762	132"	3353	140	63.5
UT30144GTE	8	30"	762	144"	3658	151	68.5
UT3648GTE	4	36"	914	48"	1219	67	30.4
UT3660GTE	4	36"	914	60"	1524	79	35.8
UT3672GTE	4	36"	914	72"	1829	94	42.6
UT3684GTE	4	36"	914	84"	2134	107	48.5
UT3696GTE	6	36"	914	96"	2438	120	54.4
UT36108GTE	6	36"	914	108"	2743	133	60.3
UT36120GTE	6	36"	914	120"	3048	146	66.2
UT36132GTE	8	36"	914	132"	3353	160	72.6
UT36144GTE	8	36"	914	144"	3658	173	78.5

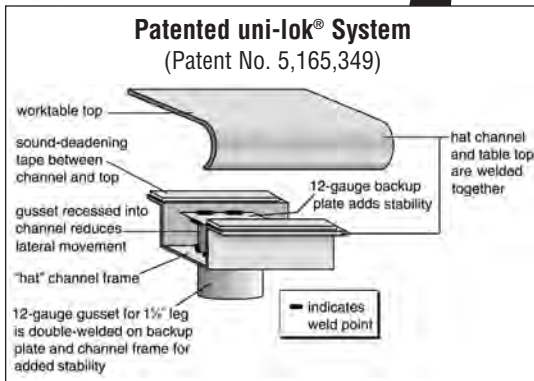


### Short Form Specifications

Top constructed of heavy gauge type 430 stainless steel with 1½" roll on front, 1½" rear upturn, and sides turned down 90°. Undershef is adjustable and constructed of heavy gauge type 430 stainless steel with marine edge. Top reinforced with hat channels and sound deadened. Constructed with uni-lok® patented gusset system with the gussets recessed to reduce lateral movement. Legs are 1½" O.D. stainless steel, with galvanized gussets and 1" stainless steel adjustable bullet feet.



*worktable with upturn and adjustable undershef*



### Options / Accessories

- |  |  |
|--|--|
| <input type="checkbox"/> Drawer                      | <input type="checkbox"/> Duplex receptacles                            |
| <input type="checkbox"/> Lock                        | <input type="checkbox"/> Pot rack                                      |
| <input type="checkbox"/> Casters                     | <input type="checkbox"/> Sink  |
| <input type="checkbox"/> Stainless steel bullet feet | <input type="checkbox"/> Additional undershef                          |
| <input type="checkbox"/> Overshelves                 | <input type="checkbox"/> Stabilizer Bar (for 30"- and 36"-wide tables) |

### MODELS:

- |                                   |                                    |                                    |                                    |
|-----------------------------------|------------------------------------|------------------------------------|------------------------------------|
| <input type="checkbox"/> UT2424SB | <input type="checkbox"/> UT24108SB | <input type="checkbox"/> UT3072SB  | <input type="checkbox"/> UT3660SB  |
| <input type="checkbox"/> UT2430SB | <input type="checkbox"/> UT24120SB | <input type="checkbox"/> UT3084SB  | <input type="checkbox"/> UT3672SB  |
| <input type="checkbox"/> UT2436SB | <input type="checkbox"/> UT24132SB | <input type="checkbox"/> UT3096SB  | <input type="checkbox"/> UT3684SB  |
| <input type="checkbox"/> UT2448SB | <input type="checkbox"/> UT24144SB | <input type="checkbox"/> UT30108SB | <input type="checkbox"/> UT3696SB  |
| <input type="checkbox"/> UT2460SB | <input type="checkbox"/> UT3030SB  | <input type="checkbox"/> UT30120SB | <input type="checkbox"/> UT36108SB |
| <input type="checkbox"/> UT2472SB | <input type="checkbox"/> UT3036SB  | <input type="checkbox"/> UT30132SB | <input type="checkbox"/> UT36120SB |
| <input type="checkbox"/> UT2484SB | <input type="checkbox"/> UT3048SB  | <input type="checkbox"/> UT30144SB | <input type="checkbox"/> UT36132SB |
| <input type="checkbox"/> UT2496SB | <input type="checkbox"/> UT3060SB  | <input type="checkbox"/> UT3648SB  | <input type="checkbox"/> UT36144SB |

### Tabletop

- Patented uni-lok® gusset system (patent #5,165,349): gussets are recessed into hat channel, reducing lateral movement.
- Top reinforced with welded-on hat channel.
- Sound-deadened between top and channels.
- 1½" (38mm) 90° rear upturn with radius at intersection.
- 1½" (41mm)-diameter 180° rolled edge on front. Ends are turned down 90° providing for flush installations when required.
- Heavy gauge type 430 polished stainless steel.

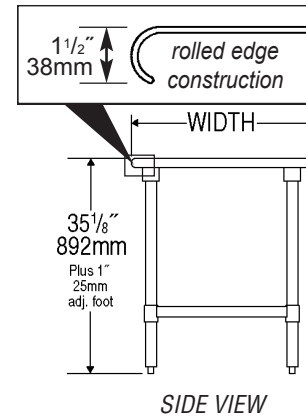
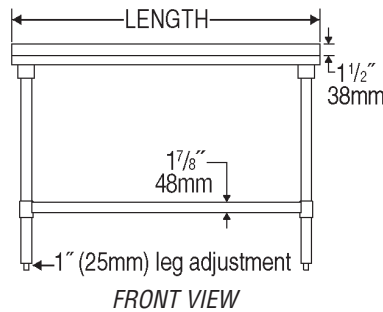
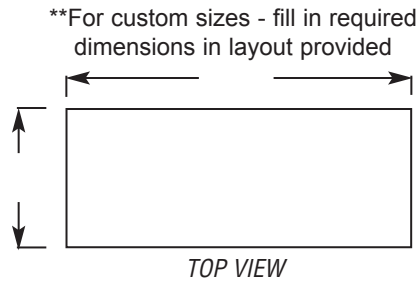
### Adjustable Undershef

- Heavy gauge stainless steel.
- Gusset welded on each corner.
- Heavy duty marine edge.

### Legs—1½" (41mm)-diameter

- Units 96" to 120" (2438 to 3048mm) long come with six legs; Units 132" and 144" (3353 and 3658mm) come with eight legs.
- Heavy gauge stainless steel.
- 1" (25mm) adjustable stainless steel feet.





model #	# of legs	width		length		weight	
		in.	mm	in.	mm	lbs.	kg
UT2424SB	4	24"	610	24"	610	40	18.1
UT2430SB	4	24"	610	30"	762	45	20.4
UT2436SB	4	24"	610	36"	914	50	22.7
UT2448SB	4	24"	610	48"	1219	60	27.2
UT2460SB	4	24"	610	60"	1524	70	31.8
UT2472SB	4	24"	610	72"	1829	80	36.3
UT2484SB	4	24"	610	84"	2134	90	40.8
UT2496SB	6	24"	610	96"	2438	100	45.4
UT24108SB	6	24"	610	108"	2743	110	49.9
UT24120SB	6	24"	610	120"	3048	120	54.4
UT24132SB	8	24"	610	132"	3353	130	59.0
UT24144SB	8	24"	610	144"	3658	140	63.5
UT3030SB	4	30"	762	30"	762	50	22.7
UT3036SB	4	30"	762	36"	914	55	24.9
UT3048SB	4	30"	762	48"	1219	65	29.5
UT3060SB	4	30"	762	60"	1524	75	34.0
UT3072SB	4	30"	762	72"	1829	85	38.6
UT3084SB	4	30"	762	84"	2134	95	43.1
UT3096SB	6	30"	762	96"	2438	105	47.6
UT30108SB	6	30"	762	108"	2743	115	52.2
UT30120SB	6	30"	762	120"	3048	125	56.7
UT30132SB	8	30"	762	132"	3353	135	61.2
UT30144SB	8	30"	762	144"	3658	145	65.8
UT3648SB	4	36"	914	48"	1219	75	34.0
UT3660SB	4	36"	914	60"	1524	85	36.8
UT3672SB	4	36"	914	72"	1829	95	43.1
UT3684SB	4	36"	914	84"	2134	105	47.6
UT3696SB	6	36"	914	96"	2438	115	52.2
UT36108SB	6	36"	914	108"	2743	125	56.7
UT36120SB	6	36"	914	120"	3048	135	61.2
UT36132SB	8	36"	914	132"	3353	145	65.8
UT36144SB	8	36"	914	144"	3658	155	70.3

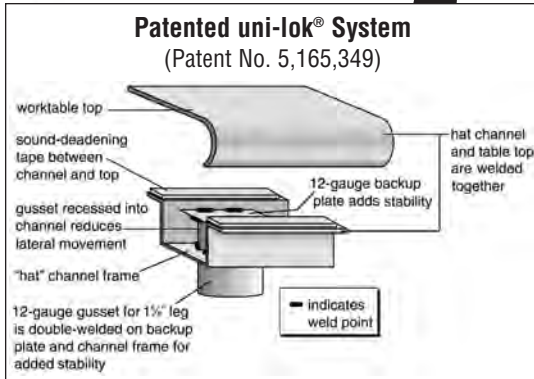


### Short Form Specifications

Top to be constructed of 16/304 stainless steel with 1½" roll on front, 1½" rear upturn, and sides turned down 90°. Undershef to be adjustable and constructed of heavy gauge type 430 stainless steel with marine edge. Top reinforced with hat channels and sound deadened. Constructed with uni-lok® patented gusset system with the gussets recessed into the hat channels to reduce lateral movement. Legs to be 1½" O.D., stainless steel, with galvanized gussets and 1" stainless steel adjustable bullet feet.



*worktable with upturn and adjustable undershef*



### Options / Accessories

- |  |  |
|--|--|
| <input type="checkbox"/> Drawer                      | <input type="checkbox"/> Duplex receptacles                            |
| <input type="checkbox"/> Lock                        | <input type="checkbox"/> Pot rack                                      |
| <input type="checkbox"/> Casters                     | <input type="checkbox"/> Sink  |
| <input type="checkbox"/> Stainless steel bullet feet | <input type="checkbox"/> Additional undershef                          |
| <input type="checkbox"/> Overshelves                 | <input type="checkbox"/> Stabilizer Bar (for 30"- and 36"-wide tables) |

### MODELS:

- |                                    |                                     |                                     |                                     |
|------------------------------------|-------------------------------------|-------------------------------------|-------------------------------------|
| <input type="checkbox"/> UT2424SEB | <input type="checkbox"/> UT24108SEB | <input type="checkbox"/> UT3072SEB  | <input type="checkbox"/> UT3660SEB  |
| <input type="checkbox"/> UT2430SEB | <input type="checkbox"/> UT24120SEB | <input type="checkbox"/> UT3084SEB  | <input type="checkbox"/> UT3672SEB  |
| <input type="checkbox"/> UT2436SEB | <input type="checkbox"/> UT24132SEB | <input type="checkbox"/> UT3096SEB  | <input type="checkbox"/> UT3684SEB  |
| <input type="checkbox"/> UT2448SEB | <input type="checkbox"/> UT24144SEB | <input type="checkbox"/> UT30108SEB | <input type="checkbox"/> UT3696SEB  |
| <input type="checkbox"/> UT2460SEB | <input type="checkbox"/> UT3030SEB  | <input type="checkbox"/> UT30120SEB | <input type="checkbox"/> UT36108SEB |
| <input type="checkbox"/> UT2472SEB | <input type="checkbox"/> UT3036SEB  | <input type="checkbox"/> UT30132SEB | <input type="checkbox"/> UT36120SEB |
| <input type="checkbox"/> UT2484SEB | <input type="checkbox"/> UT3048SEB  | <input type="checkbox"/> UT30144SEB | <input type="checkbox"/> UT36132SEB |
| <input type="checkbox"/> UT2496SEB | <input type="checkbox"/> UT3060SEB  | <input type="checkbox"/> UT3648SEB  | <input type="checkbox"/> UT36144SEB |

### Tabletop

- Patented uni-lok® gusset system (patent #5,165,349): gussets are recessed into hat channel, reducing lateral movement.
- Top reinforced with welded-on hat channel.
- Sound-deadened between top and channels.
- 1½" (38mm) 90° rear upturn with radius at intersection.
- 1½" (41mm)-diameter 180° rolled edge on front. Ends are turned down 90° providing for flush installations when required.
- 16 gauge type 304 polished stainless steel.

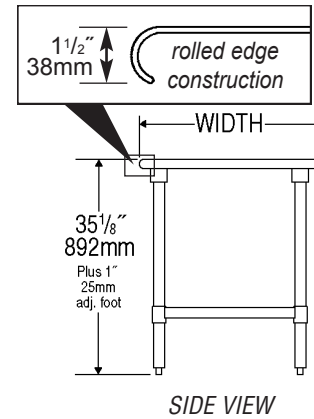
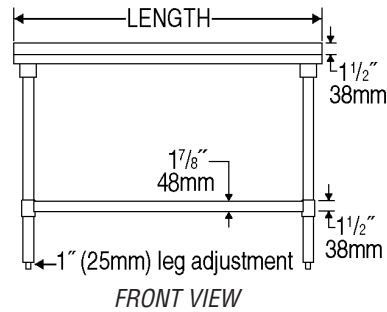
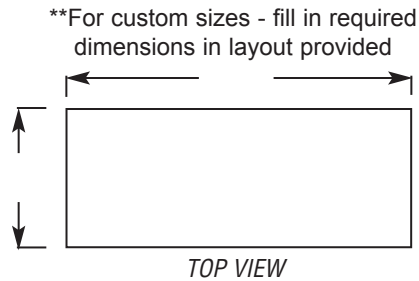
### Adjustable Undershef

- Heavy gauge stainless steel.
- Gusset welded on each corner.
- Heavy duty marine edge.

### Legs—1½" (41mm)-diameter

- Units 96" to 120" (2438 to 3048mm) long come with six legs; Units 132" and 144" (3353 and 3658mm) come with eight legs.
- Heavy gauge stainless steel.
- 1" (25mm) adjustable stainless steel feet.





model #	# of legs	width		length		weight	
		in.	mm	in.	mm	lbs.	kg
UT2424SEB	4	24"	610	24"	610	40	18.1
UT2430SEB	4	24"	610	30"	762	45	20.4
UT2436SEB	4	24"	610	36"	914	50	22.7
UT2448SEB	4	24"	610	48"	1219	60	27.2
UT2460SEB	4	24"	610	60"	1524	70	31.8
UT2472SEB	4	24"	610	72"	1829	80	36.3
UT2484SEB	4	24"	610	84"	2134	90	40.8
UT2496SEB	6	24"	610	96"	2438	100	45.4
UT24108SEB	6	24"	610	108"	2743	110	49.9
UT24120SEB	6	24"	610	120"	3048	120	54.4
UT24132SEB	8	24"	610	132"	3353	130	59.0
UT24144SEB	8	24"	610	144"	3658	140	63.5
UT3030SEB	4	30"	762	30"	762	50	22.7
UT3036SEB	4	30"	762	36"	914	55	24.9
UT3048SEB	4	30"	762	48"	1219	65	29.5
UT3060SEB	4	30"	762	60"	1524	75	34.0
UT3072SEB	4	30"	762	72"	1829	85	38.6
UT3084SEB	4	30"	762	84"	2134	95	43.1
UT3096SEB	6	30"	762	96"	2438	105	47.6
UT30108SEB	6	30"	762	108"	2743	115	52.2
UT30120SEB	6	30"	762	120"	3048	125	56.7
UT30132SEB	8	30"	762	132"	3353	135	61.2
UT30144SEB	8	30"	762	144"	3658	145	65.8
UT3648SEB	4	36"	914	48"	1219	75	34.0
UT3660SEB	4	36"	914	60"	1524	85	36.8
UT3672SEB	4	36"	914	72"	1829	95	43.1
UT3684SEB	4	36"	914	84"	2134	105	47.6
UT3696SEB	6	36"	914	96"	2438	115	52.2
UT36108SEB	6	36"	914	108"	2743	125	56.7
UT36120SEB	6	36"	914	120"	3048	135	61.2
UT36132SEB	8	36"	914	132"	3353	145	65.8
UT36144SEB	8	36"	914	144"	3658	155	70.3

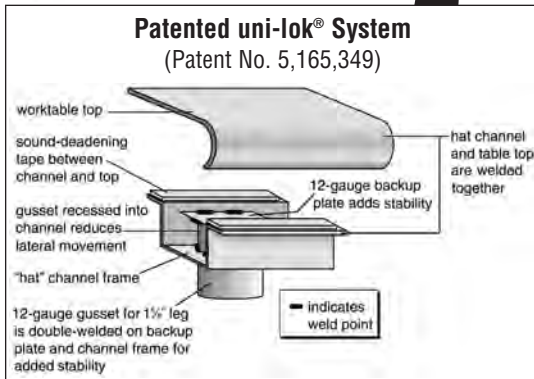


### Short Form Specifications

Top to be constructed of 14/304 stainless steel, with 1½" roll on front, 1½" rear upturn, and sides turned down 90°. Undershef to be adjustable and constructed of 18/304 stainless steel with marine edge. Top reinforced with stainless steel hat channels and sound deadened. Constructed with uni-lok® patented gusset system with the gussets recessed into the hat channels to reduce lateral movement. Legs to be 1½" O.D., stainless steel, with stainless steel gussets and 1" stainless steel adjustable bullet feet.



*worktable with upturn and adjustable undershef*



### Options / Accessories

- |  |  |
|--|--|
| <input type="checkbox"/> Drawer                      | <input type="checkbox"/> Duplex receptacles                            |
| <input type="checkbox"/> Lock                        | <input type="checkbox"/> Pot rack                                      |
| <input type="checkbox"/> Casters                     | <input type="checkbox"/> Sink  |
| <input type="checkbox"/> Stainless steel bullet feet | <input type="checkbox"/> Additional undershef                          |
| <input type="checkbox"/> Overshelves                 | <input type="checkbox"/> Stabilizer Bar (for 30"- and 36"-wide tables) |

### MODELS:

- |                                   |                                    |                                    |                                    |
|-----------------------------------|------------------------------------|------------------------------------|------------------------------------|
| <input type="checkbox"/> UT2424SE | <input type="checkbox"/> UT24108SE | <input type="checkbox"/> UT3072SE  | <input type="checkbox"/> UT3660SE  |
| <input type="checkbox"/> UT2430SE | <input type="checkbox"/> UT24120SE | <input type="checkbox"/> UT3084SE  | <input type="checkbox"/> UT3672SE  |
| <input type="checkbox"/> UT2436SE | <input type="checkbox"/> UT24132SE | <input type="checkbox"/> UT3096SE  | <input type="checkbox"/> UT3684SE  |
| <input type="checkbox"/> UT2448SE | <input type="checkbox"/> UT24144SE | <input type="checkbox"/> UT30108SE | <input type="checkbox"/> UT3696SE  |
| <input type="checkbox"/> UT2460SE | <input type="checkbox"/> UT3030SE  | <input type="checkbox"/> UT30120SE | <input type="checkbox"/> UT36108SE |
| <input type="checkbox"/> UT2472SE | <input type="checkbox"/> UT3036SE  | <input type="checkbox"/> UT30132SE | <input type="checkbox"/> UT36120SE |
| <input type="checkbox"/> UT2484SE | <input type="checkbox"/> UT3048SE  | <input type="checkbox"/> UT30144SE | <input type="checkbox"/> UT36132SE |
| <input type="checkbox"/> UT2496SE | <input type="checkbox"/> UT3060SE  | <input type="checkbox"/> UT3648SE  | <input type="checkbox"/> UT36144SE |

### Tabletop

- Patented uni-lok® gusset system (patent #5,165,349): gussets are recessed into hat channel, reducing lateral movement.
- Top reinforced with welded-on hat channel.
- Sound-deadened between top and channels.
- 1½" (38mm) 90° rear upturn with radius at intersection.
- 1½" (41mm)-diameter 180° rolled edge on front. Ends are turned down 90° providing for flush installations when required.
- 14 gauge type 304 polished stainless steel.

### Adjustable Undershef

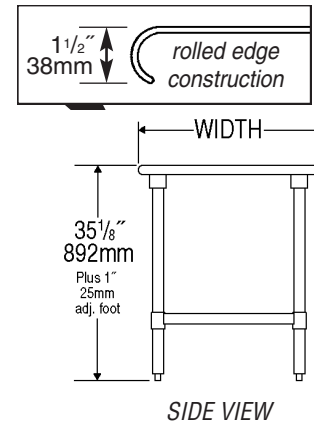
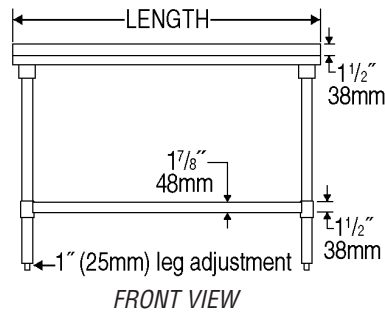
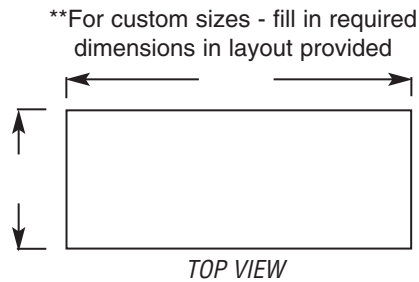
- Heavy gauge stainless steel.
- Gusset welded to each corner.
- Heavy duty marine edge.

### Legs—1½" (41mm)-diameter

- Units 96" to 120" (2438 to 3048mm) long come with six legs; Units 132" and 144" (3353 and 3658mm) come with eight legs.
- Heavy gauge stainless steel.
- 1" (25mm) adjustable stainless steel feet.







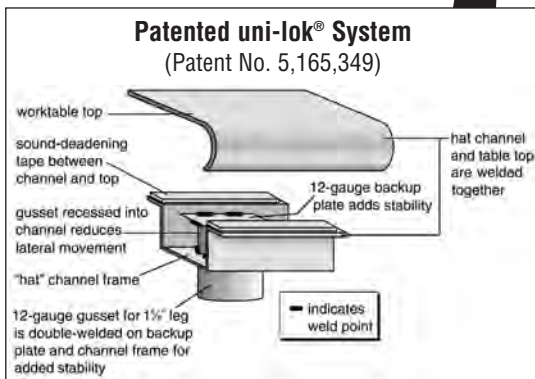
model #	# of legs	width		length		weight	
		in.	mm	in.	mm	lbs.	kg
UT2424SE	4	24"	610	24"	610	44	20.0
UT2430SE	4	24"	610	30"	762	50	22.7
UT2436SE	4	24"	610	36"	914	55	24.9
UT2448SE	4	24"	610	48"	1219	66	29.9
UT2460SE	4	24"	610	60"	1524	77	34.9
UT2472SE	4	24"	610	72"	1829	88	39.9
UT2484SE	4	24"	610	84"	2134	99	44.9
UT2496SE	6	24"	610	96"	2438	110	49.9
UT24108SE	6	24"	610	108"	2743	121	54.9
UT24120SE	6	24"	610	120"	3048	132	59.9
UT24132SE	8	24"	610	132"	3353	143	64.9
UT24144SE	8	24"	610	144"	3658	154	69.9
UT3030SE	4	30"	762	30"	762	55	24.9
UT3036SE	4	30"	762	36"	914	61	27.7
UT3048SE	4	30"	762	48"	1219	72	32.7
UT3060SE	4	30"	762	60"	1524	83	37.6
UT3072SE	4	30"	762	72"	1829	94	42.6
UT3084SE	4	30"	762	84"	2134	105	47.6
UT3096SE	6	30"	762	96"	2438	116	52.6
UT30108SE	6	30"	762	108"	2743	127	57.6
UT30120SE	6	30"	762	120"	3048	138	62.6
UT30132SE	8	30"	762	132"	3353	149	67.6
UT30144SE	8	30"	762	144"	3658	160	72.6
UT3648SE	4	36"	914	48"	1219	83	37.6
UT3660SE	4	36"	914	60"	1524	94	42.6
UT3672SE	4	36"	914	72"	1829	105	47.6
UT3684SE	4	36"	914	84"	2134	116	52.6
UT3696SE	6	36"	914	96"	2438	127	57.6
UT36108SE	6	36"	914	108"	2743	138	62.6
UT36120SE	6	36"	914	120"	3048	149	67.6
UT36132SE	8	36"	914	132"	3353	160	72.6
UT36144SE	8	36"	914	144"	3658	171	77.6





## Short Form Specifications

Top constructed of heavy gauge type 430 stainless steel with 1½" roll on front, 1½" rear upturn, and sides turned down 90°. Open front with 1¼" O.D. stainless steel tubular crossbracing on sides and rear. Top reinforced with welded hat channels and sound deadened. Constructed with uni-lok® patented gusset system with the gussets recessed into the hat channels to reduce lateral movement. Legs are 1⅝" O.D. stainless steel tubing, with stainless steel gussets and 1" stainless steel adjustable bullet feet.



## MODELS:

- |                                    |                                     |                                     |                                     |
|------------------------------------|-------------------------------------|-------------------------------------|-------------------------------------|
| <input type="checkbox"/> UT2424STB | <input type="checkbox"/> UT24108STB | <input type="checkbox"/> UT3072STB  | <input type="checkbox"/> UT3660STB  |
| <input type="checkbox"/> UT2430STB | <input type="checkbox"/> UT24120STB | <input type="checkbox"/> UT3084STB  | <input type="checkbox"/> UT3672STB  |
| <input type="checkbox"/> UT2436STB | <input type="checkbox"/> UT24132STB | <input type="checkbox"/> UT3096STB  | <input type="checkbox"/> UT3684STB  |
| <input type="checkbox"/> UT2448STB | <input type="checkbox"/> UT24144STB | <input type="checkbox"/> UT30108STB | <input type="checkbox"/> UT3696STB  |
| <input type="checkbox"/> UT2460STB | <input type="checkbox"/> UT3030STB  | <input type="checkbox"/> UT30120STB | <input type="checkbox"/> UT36108STB |
| <input type="checkbox"/> UT2472STB | <input type="checkbox"/> UT3036STB  | <input type="checkbox"/> UT30132STB | <input type="checkbox"/> UT36120STB |
| <input type="checkbox"/> UT2484STB | <input type="checkbox"/> UT3048STB  | <input type="checkbox"/> UT30144STB | <input type="checkbox"/> UT36132STB |
| <input type="checkbox"/> UT2496STB | <input type="checkbox"/> UT3060STB  | <input type="checkbox"/> UT3648STB  | <input type="checkbox"/> UT36144STB |

## Tabletop

- Top reinforced with welded-on hat channel.
- Sound-deadened between top and channels.
- 1½" (38mm) 90° rear upturn with radius at intersection.
- 1⅝" (41mm)-diameter 180° rolled edge on front. Ends are turned down 90° providing for flush installations when required.
- Heavy gauge type 430 polished stainless steel.

## Crossbracing—1¼" (32mm)-diameter

- Heavy gauge stainless steel.
- Aluminum castings join crossbraces, legs and rear brace.

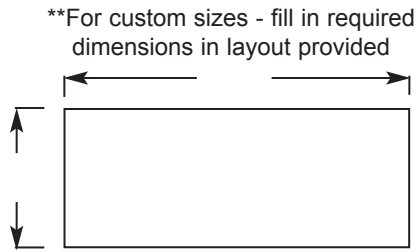
## Legs—1⅝" (41mm)-diameter

- Units 96" to 120" (2438 to 3048mm) long come with six legs; Units 132" and 144" (3353 and 3658mm) come with eight legs.
- Patented uni-lok® gusset system (patent # 5,165,349): gussets are recessed into hat channel, reducing lateral movement.
- Heavy gauge stainless steel.
- Galvanized gussets.
- 1" (25mm) adjustable stainless steel feet.

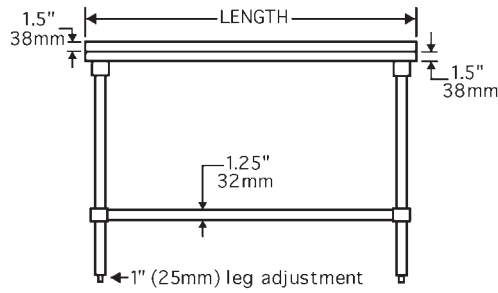
## Options / Accessories

- |  |  |
|--|--|
| <input type="checkbox"/> Drawer                      | <input type="checkbox"/> Duplex receptacles                            |
| <input type="checkbox"/> Lock                        | <input type="checkbox"/> Pot rack                                      |
| <input type="checkbox"/> Casters                     | <input type="checkbox"/> Sink  |
| <input type="checkbox"/> Stainless steel bullet feet | <input type="checkbox"/> Additional undershelf                         |
| <input type="checkbox"/> Overshelves                 | <input type="checkbox"/> Stabilizer Bar (for 30"- and 36"-wide tables) |

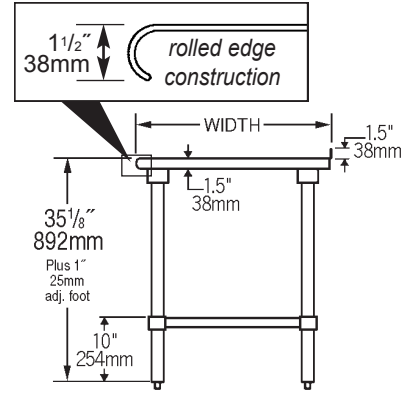




TOP VIEW



FRONT VIEW



SIDE VIEW

model #	# of legs	width		length		weight	
		in.	mm	in.	mm	lbs.	kg
UT2424STB	4	24"	610	24"	610	40	18.1
UT2430STB	4	24"	610	30"	762	45	20.4
UT2436STB	4	24"	610	36"	914	50	22.7
UT2448STB	4	24"	610	48"	1219	60	27.2
UT2460STB	4	24"	610	60"	1524	70	31.8
UT2472STB	4	24"	610	72"	1829	80	36.3
UT2484STB	4	24"	610	84"	2134	90	40.8
UT2496STB	6	24"	610	96"	2438	100	45.4
UT24108STB	6	24"	610	108"	2743	110	49.9
UT24120STB	6	24"	610	120"	3048	120	54.4
UT24132STB	8	24"	610	132"	3353	130	59.0
UT24144STB	8	24"	610	144"	3658	140	63.5
UT3030STB	4	30"	762	30"	762	50	22.7
UT3036STB	4	30"	762	36"	914	53	24.0
UT3048STB	4	30"	762	48"	1219	57	25.9
UT3060STB	4	30"	762	60"	1524	67	30.4
UT3072STB	4	30"	762	72"	1829	77	34.9
UT3084STB	4	30"	762	84"	2134	87	39.5
UT3096STB	6	30"	762	96"	2438	97	44.0
UT30108STB	6	30"	762	108"	2743	107	48.5
UT30120STB	6	30"	762	120"	3048	117	53.1
UT30132STB	8	30"	762	132"	3353	127	57.6
UT30144STB	8	30"	762	144"	3658	137	62.1
UT3648STB	4	36"	914	48"	1219	61	27.7
UT3660STB	4	36"	914	60"	1524	72	32.7
UT3672STB	4	36"	914	72"	1829	85	38.6
UT3684STB	4	36"	914	84"	2134	97	44.0
UT3696STB	6	36"	914	96"	2438	109	49.4
UT36108STB	6	36"	914	108"	2743	121	54.9
UT36120STB	6	36"	914	120"	3048	133	60.3
UT36132STB	8	36"	914	132"	3353	145	65.8
UT36144STB	8	36"	914	144"	3658	157	71.2

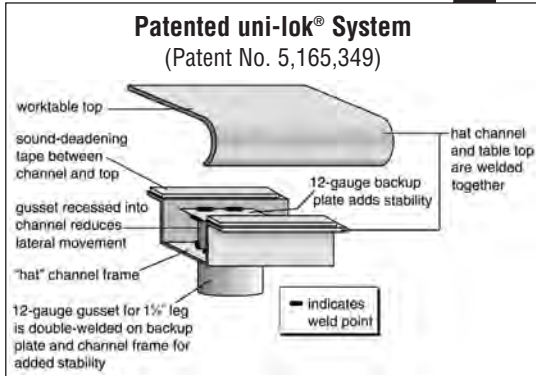


### Short Form Specifications

Top constructed of 16 gauge 300 series stainless steel with 1½" roll on front, 1½" rear upturn, and sides turned down 90°. Open front with 1¼" O.D., stainless steel tubular crossbracing on sides and rear. Top reinforced with welded hat channels and sound deadened. Constructed with uni-lok® patented gusset system with the gussets recessed into the hat channels to reduce lateral movement. Legs are 1½" O.D. stainless steel tubing, with stainless steel gussets and 1" stainless steel adjustable bullet feet.



*worktable with upturn and tubular base  
—shown with optional drawer*



### MODELS:

- |                                     |                                      |                                      |                                      |
|-------------------------------------|--------------------------------------|--------------------------------------|--------------------------------------|
| <input type="checkbox"/> UT2424STEB | <input type="checkbox"/> UT24108STEB | <input type="checkbox"/> UT3072STEB  | <input type="checkbox"/> UT3660STEB  |
| <input type="checkbox"/> UT2430STEB | <input type="checkbox"/> UT24120STEB | <input type="checkbox"/> UT3084STEB  | <input type="checkbox"/> UT3672STEB  |
| <input type="checkbox"/> UT2436STEB | <input type="checkbox"/> UT24132STEB | <input type="checkbox"/> UT3096STEB  | <input type="checkbox"/> UT3684STEB  |
| <input type="checkbox"/> UT2448STEB | <input type="checkbox"/> UT24144STEB | <input type="checkbox"/> UT30108STEB | <input type="checkbox"/> UT3696STEB  |
| <input type="checkbox"/> UT2460STEB | <input type="checkbox"/> UT3030STEB  | <input type="checkbox"/> UT30120STEB | <input type="checkbox"/> UT36108STEB |
| <input type="checkbox"/> UT2472STEB | <input type="checkbox"/> UT3036STEB  | <input type="checkbox"/> UT30132STEB | <input type="checkbox"/> UT36120STEB |
| <input type="checkbox"/> UT2484STEB | <input type="checkbox"/> UT3048STEB  | <input type="checkbox"/> UT30144STEB | <input type="checkbox"/> UT36132STEB |
| <input type="checkbox"/> UT2496STEB | <input type="checkbox"/> UT3060STEB  | <input type="checkbox"/> UT3648STEB  | <input type="checkbox"/> UT36144STEB |

### Tabletop

- Top reinforced with welded-on hat channel.
- Sound-deadened between top and channels.
- 1½" (38mm) 90° rear upturn with radius at intersection.
- 1½" (41mm)-diameter 180° rolled edge on front. Ends are turned down 90° providing for flush installations when required.
- 16 gauge 300 series polished stainless steel.

### Crossbracing—1¼" (32mm)-diameter

- Heavy gauge stainless steel.
- Aluminum castings join crossbraces, legs and rear brace.

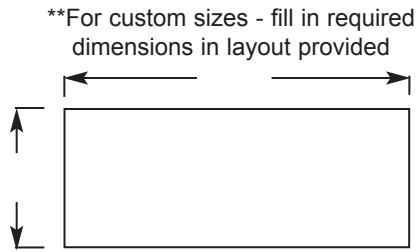
### Legs—1½" (41mm)-diameter

- Units 96" to 120" (2438 to 3048mm) long come with six legs; Units 132" and 144" (3353 and 3658mm) come with eight legs.
- Patented uni-lok® gusset system (patent # 5,165,349): gussets are recessed into hat channel, reducing lateral movement.
- Heavy gauge stainless steel.
- Galvanized gussets.
- 1" (25mm) adjustable stainless steel feet.

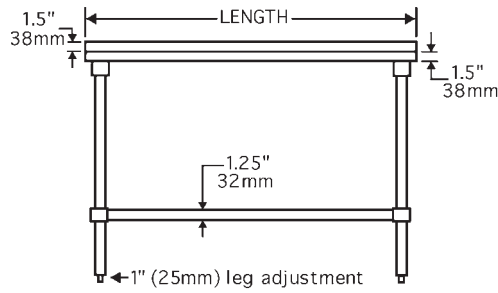
### Options / Accessories

- |  |  |
|--|--|
| <input type="checkbox"/> Drawer                      | <input type="checkbox"/> Duplex receptacles                            |
| <input type="checkbox"/> Lock                        | <input type="checkbox"/> Pot rack                                      |
| <input type="checkbox"/> Casters                     | <input type="checkbox"/> Sink  |
| <input type="checkbox"/> Stainless steel bullet feet | <input type="checkbox"/> Additional undershelf                         |
| <input type="checkbox"/> Overshelves                 | <input type="checkbox"/> Stabilizer Bar (for 30"- and 36"-wide tables) |

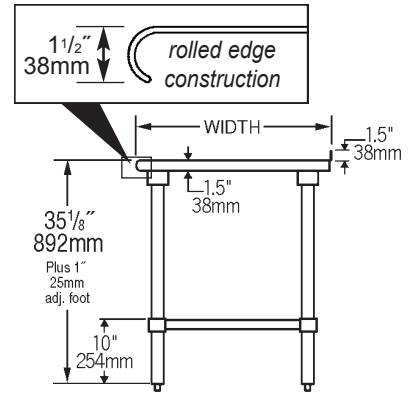




TOP VIEW



FRONT VIEW



SIDE VIEW

model #	# of legs	width		length		weight	
		in.	mm	in.	mm	lbs.	kg
UT2424STEB	4	24"	610	24"	610	40	18.1
UT2430STEB	4	24"	610	30"	762	45	20.4
UT2436STEB	4	24"	610	36"	914	50	22.7
UT2448STEB	4	24"	610	48"	1219	60	27.2
UT2460STEB	4	24"	610	60"	1524	70	31.8
UT2472STEB	4	24"	610	72"	1829	80	36.3
UT2484STEB	4	24"	610	84"	2134	90	40.8
UT2496STEB	6	24"	610	96"	2438	100	45.4
UT24108STEB	6	24"	610	108"	2743	110	49.9
UT24120STEB	6	24"	610	120"	3048	120	54.4
UT24132STEB	8	24"	610	132"	3353	130	59.0
UT24144STEB	8	24"	610	144"	3658	140	63.5
UT3030STEB	4	30"	762	30"	762	50	22.7
UT3036STEB	4	30"	762	36"	914	53	24.0
UT3048STEB	4	30"	762	48"	1219	57	25.9
UT3060STEB	4	30"	762	60"	1524	67	30.4
UT3072STEB	4	30"	762	72"	1829	77	34.9
UT3084STEB	4	30"	762	84"	2134	87	39.5
UT3096STEB	6	30"	762	96"	2438	97	44.0
UT30108STEB	6	30"	762	108"	2743	107	48.5
UT30120STEB	6	30"	762	120"	3048	117	53.1
UT30132STEB	8	30"	762	132"	3353	127	57.6
UT30144STEB	8	30"	762	144"	3658	137	62.1
UT3648STEB	4	36"	914	48"	1219	61	27.7
UT3660STEB	4	36"	914	60"	1524	72	32.7
UT3672STEB	4	36"	914	72"	1829	85	38.6
UT3684STEB	4	36"	914	84"	2134	97	44.0
UT3696STEB	6	36"	914	96"	2438	109	49.4
UT36108STEB	6	36"	914	108"	2743	121	54.9
UT36120STEB	6	36"	914	120"	3048	133	60.3
UT36132STEB	8	36"	914	132"	3353	145	65.8
UT36144STEB	8	36"	914	144"	3658	157	71.2

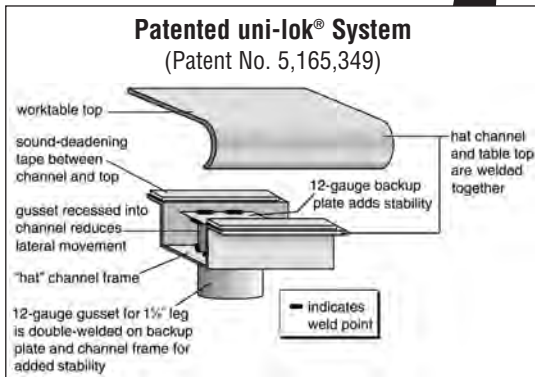


## Short Form Specifications

Top constructed of 14 gauge 300 series stainless steel with 1½" roll on front, 1½" rear upturn, and sides turned down 90°. Open front with 1¼" O.D. stainless steel tubular crossbracing on sides and rear. Top reinforced with welded hat channels and sound deadened. Constructed with uni-lok® patented gusset system with the gussets recessed into the hat channels to reduce lateral movement. Legs are 1½" O.D. stainless steel tubing, with stainless steel gussets and 1" stainless steel adjustable bullet feet.



*worktable with upturn and tubular base  
—shown with optional drawer*



## MODELS:

- |                                    |                                     |                                     |                                     |
|------------------------------------|-------------------------------------|-------------------------------------|-------------------------------------|
| <input type="checkbox"/> UT2424STE | <input type="checkbox"/> UT24108STE | <input type="checkbox"/> UT3072STE  | <input type="checkbox"/> UT3660STE  |
| <input type="checkbox"/> UT2430STE | <input type="checkbox"/> UT24120STE | <input type="checkbox"/> UT3084STE  | <input type="checkbox"/> UT3672STE  |
| <input type="checkbox"/> UT2436STE | <input type="checkbox"/> UT24132STE | <input type="checkbox"/> UT3096STE  | <input type="checkbox"/> UT3684STE  |
| <input type="checkbox"/> UT2448STE | <input type="checkbox"/> UT24144STE | <input type="checkbox"/> UT30108STE | <input type="checkbox"/> UT3696STE  |
| <input type="checkbox"/> UT2460STE | <input type="checkbox"/> UT3030STE  | <input type="checkbox"/> UT30120STE | <input type="checkbox"/> UT36108STE |
| <input type="checkbox"/> UT2472STE | <input type="checkbox"/> UT3036STE  | <input type="checkbox"/> UT30132STE | <input type="checkbox"/> UT36120STE |
| <input type="checkbox"/> UT2484STE | <input type="checkbox"/> UT3048STE  | <input type="checkbox"/> UT30144STE | <input type="checkbox"/> UT36132STE |
| <input type="checkbox"/> UT2496STE | <input type="checkbox"/> UT3060STE  | <input type="checkbox"/> UT3648STE  | <input type="checkbox"/> UT36144STE |

## Tabletop

- Top reinforced with welded-on hat channel.
- Sound-deadened between top and channels.
- 1½" (38mm) 90° rear upturn with radius at intersection.
- 1½" (41mm)-diameter 180° rolled edge on front. Ends are turned down 90° providing for flush installations when required.
- 14 gauge 300 series polished stainless steel.

## Crossbracing—1¼" (32mm)-diameter

- Heavy gauge stainless steel.
- Aluminum castings join crossbraces, legs and rear brace.

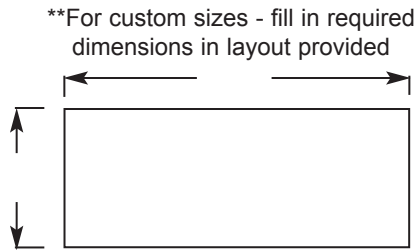
## Legs—1½" (41mm)-diameter

- Units 96" to 120" (2438 to 3048mm) long come with six legs; Units 132" and 144" (3353 and 3658mm) come with eight legs.
- Patented uni-lok® gusset system (patent # 5,165,349): gussets are recessed into hat channel, reducing lateral movement.
- Heavy gauge stainless steel.
- Galvanized gussets.
- 1" (25mm) adjustable stainless steel feet.

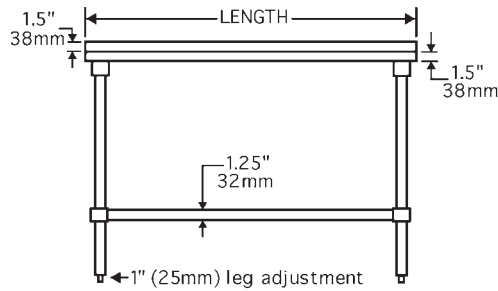
## Options / Accessories

- |  |  |
|--|--|
| <input type="checkbox"/> Drawer                      | <input type="checkbox"/> Duplex receptacles                            |
| <input type="checkbox"/> Lock                        | <input type="checkbox"/> Pot rack                                      |
| <input type="checkbox"/> Casters                     | <input type="checkbox"/> Sink  |
| <input type="checkbox"/> Stainless steel bullet feet | <input type="checkbox"/> Additional undershelf                         |
| <input type="checkbox"/> Overshelves                 | <input type="checkbox"/> Stabilizer Bar (for 30"- and 36"-wide tables) |

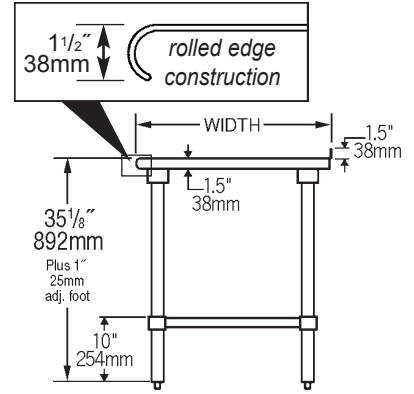




TOP VIEW



FRONT VIEW



SIDE VIEW

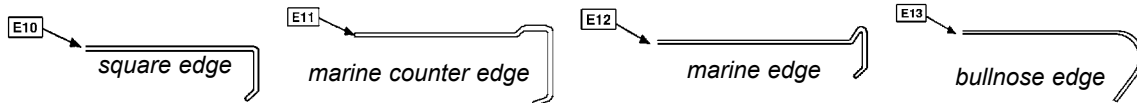
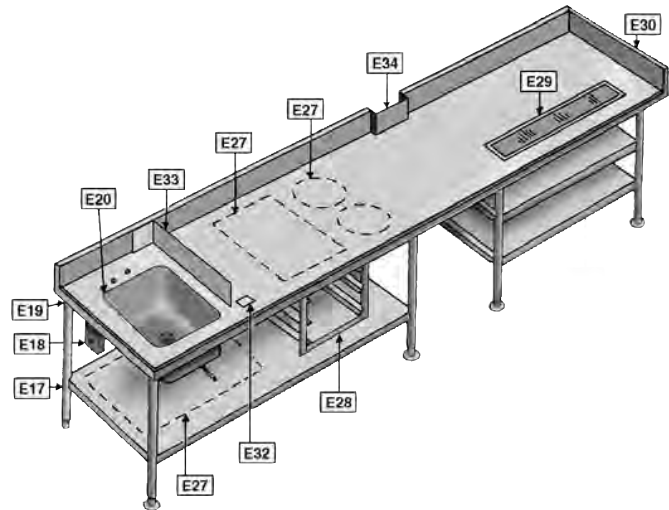
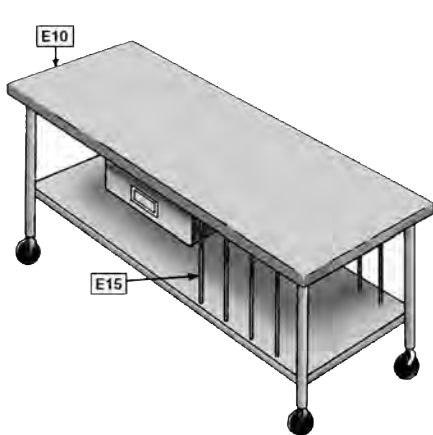
model #	# of legs	width		length		weight	
		in.	mm	in.	mm	lbs.	kg
UT2424STE	4	24"	610	24"	610	44	20.0
UT2430STE	4	24"	610	30"	762	50	22.7
UT2436STE	4	24"	610	36"	914	55	24.9
UT2448STE	4	24"	610	48"	1219	66	29.9
UT2460STE	4	24"	610	60"	1524	77	34.9
UT2472STE	4	24"	610	72"	1829	88	39.9
UT2484STE	4	24"	610	84"	2134	99	44.9
UT2496STE	6	24"	610	96"	2438	110	49.9
UT24108STE	6	24"	610	108"	2743	121	54.9
UT24120STE	6	24"	610	120"	3048	132	59.9
UT24132STE	8	24"	610	132"	3353	143	64.9
UT24144STE	8	24"	610	144"	3658	154	69.9
UT3030STE	4	30"	762	30"	762	55	24.9
UT3036STE	4	30"	762	36"	914	58	26.3
UT3048STE	4	30"	762	48"	1219	63	28.6
UT3060STE	4	30"	762	60"	1524	74	33.6
UT3072STE	4	30"	762	72"	1829	85	38.6
UT3084STE	4	30"	762	84"	2134	96	43.6
UT3096STE	6	30"	762	96"	2438	107	48.5
UT30108STE	6	30"	762	108"	2743	118	53.5
UT30120STE	6	30"	762	120"	3048	129	58.5
UT30132STE	8	30"	762	132"	3353	140	63.5
UT30144STE	8	30"	762	144"	3658	151	68.5
UT3648STE	4	36"	914	48"	1219	67	30.4
UT3660STE	4	36"	914	60"	1524	79	35.8
UT3672STE	4	36"	914	72"	1829	94	42.6
UT3684STE	4	36"	914	84"	2134	107	48.5
UT3696STE	6	36"	914	96"	2438	120	54.4
UT36108STE	6	36"	914	108"	2743	133	60.3
UT36120STE	6	36"	914	120"	3048	146	66.2
UT36132STE	8	36"	914	132"	3353	160	72.6
UT36144STE	8	36"	914	144"	3658	173	78.5



# Table Modifications and Accessories

For complete list of E# models and description, see chart below and chart on back page.

Refer to chart below for description of E# models.



model #	description
<b>E10</b>	Square edge table - front and/or rear
<b>E11</b>	Marine counter edge
<b>E12</b>	"V" type marine edge
<b>E13</b>	Bullnose edge
<b>300698</b>	Casters - 4" (102mm)-diameter with brake
<b>300699</b>	Casters - 4" (102mm)-diameter without brake
<b>317635</b>	Casters - 5" (127mm)-diameter with brake
<b>317636</b>	Casters - 5" (127mm)-diameter without brake
<b>300692</b>	Bullet feet - stainless steel
<b>301036</b>	Bullet feet - white metal
<b>300293</b>	Bullet feet - plastic

model #	description
<b>313835</b>	Stainless steel flanged bullet feet
<b>E15</b>	Vertical tray dividers - 4-section assembly, 3" on centers
<b>E17</b>	Special height legs
<b>E18*</b>	Duplex receptacle and mounting plate (under table)
<b>E18.1*</b>	Duplex receptacle in splash (requires at least 6"-high splash)
<b>E18.2*</b>	Pedestal duplex receptacle (top of table or overshelf)
<b>E19</b>	Stainless steel gussets

## NOT PICTURED

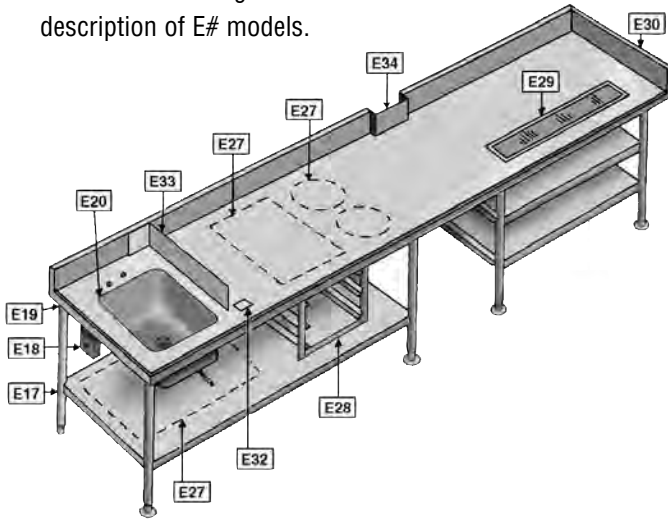
model #	description
<b>606329</b>	Scrap chute, 6" (152mm)-diameter
<b>606331</b>	Knife rack (fits rolled rim, poly, and square edge tables)





# Table Modifications and Accessories

Refer to chart at right for description of E# models.



## model # description

Sinks — complete with faucet and basket drain (Specify location)

**E20** - 10" x 14" x 9.5" bowl (254 x 356 x 241mm)

**E21** - 14" x 16" x 9.5" bowl (356 x 406 x 241mm)

**E22\*** - 16" x 20" x 8" bowl (406 x 508 x 203mm)

**E23\*** - 16" x 20" x 14" bowl (406 x 508 x 356mm)

**E24\*** - 18" x 20" x 14" bowl (457 x 508 x 356mm)

**E24A\*** - 20" x 20" x 14" (508 x 508 x 356mm)

**E25** - 24" x 24" x 14" bowl (610 x 610 x 356mm) for 36" (914mm)-wide tables

**313304** T&S faucet upgrade - deck mount 4" (102mm) centers

**300720** Lever drain - 1.5" I.P.S. (38mm)

**300721** Lever drain - 2" I.P.S. (51mm)

**300722** Lever drain - 2" I.P.S. (51mm) with overflow

**341189\*\*** Twist handle drain - 1.5" I.P.S. (38mm)

**336002\*\*** Twist handle drain - 2" I.P.S. (51mm)

**341190\*\*** Twist handle drain - 2" I.P.S. (51mm) with overflow

**E27** Top cutout - square or round (Specify location)

**E28** Angle slides for pans, up to six pairs (Specify location and pan size)

**E29** Urn trough, 4.5" wide x 1.25" deep (114 x 32mm) with 1.5" (38mm) drain, complete with louvered grate. (Length must be maximum of 6" shorter than table. Specify location.)

**E30** End splash — per end (Specify end), all heights

**E31** 1.5" (38mm) rear upturn for undershelf

**E32** Can opener hole with under table support (Specify location)

**E33** Sink splash — single thickness, 4" tall (102mm)

**E34** Column cutout (Send floor plan/sketch)

## NOT PICTURED

### model # description

**E35** 16 gauge s/s apron in front of sinks or cutouts

**E36** Fully welded - top, undershelf & legs

**E36A** Welded base only - undershelf & legs

**E37** NSF sprayed-on sound deadening up to 12' (3658mm)

**E37A** - for each additional foot

**E38-6\*\*\*** Cantilever mount up to 6' (1829mm)

**E38-12\*\*\*** Cantilever mount up to 12' (3658mm)

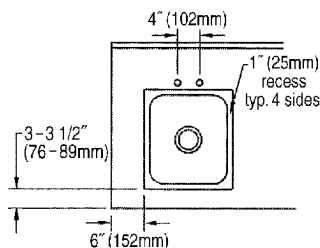
**E39** Enclosed backsplash

\* These sink bowls will not fit in a table any less than 30" (762mm) wide.

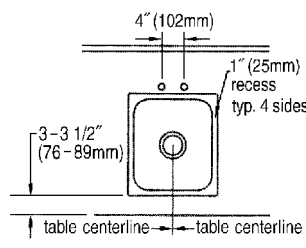
\*\* Optional twist drain brackets available for use with twist handle drains.

\*\*\* Applicable to wall mount shelves and pot racks.

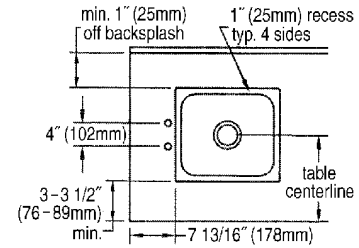
## Optional Sinks Built Into Tables – Standard Locations



sink on left/right side of table



sink on center of table



sink with faucet on end of table

