

Hardwood Work Table Specification Sheet

SMS-10-V69-MT

Short Form Specifications

1 $\frac{3}{4}$ " thick hardwood top. 1 $\frac{3}{4}$ " thick hardwood top with 4" covered back and end splashes.

Units with galvanized steel base feature 1 $\frac{3}{4}$ "-diameter heavy gauge galvanized legs and 1" adjustable hi-impact plastic bullet feet. Units with stainless steel base feature 1 $\frac{3}{4}$ "-diameter 16 gauge stainless steel legs and stainless steel bullet feet.

Available with adjustable undershelf or adjustable 1 $\frac{3}{4}$ "-diameter tubular base.



table with covered backplash and end splashes, with tubular base



flat top table with undershelf

Options / Accessories

- | | |
|--|-------------------------------------|
| <input type="checkbox"/> Drawer assemblies | <input type="checkbox"/> Casters |
| <input type="checkbox"/> Lock | <input type="checkbox"/> Overshelf |
| <input type="checkbox"/> Stainless steel bullet feet | <input type="checkbox"/> Spice bins |

MODELS:

- | | | |
|--------------------------------------|--------------------------------------|--------------------------------------|
| <input type="checkbox"/> MT2448B | <input type="checkbox"/> MT2496B | <input type="checkbox"/> MT3072B |
| <input type="checkbox"/> MT2448B-BS | <input type="checkbox"/> MT2496GT | <input type="checkbox"/> MT3072B-BS |
| <input type="checkbox"/> MT2448GT | <input type="checkbox"/> MT2496S | <input type="checkbox"/> MT3072GT |
| <input type="checkbox"/> MT2448GT-BS | <input type="checkbox"/> MT2496ST | <input type="checkbox"/> MT3072GT-BS |
| <input type="checkbox"/> MT2448S | <input type="checkbox"/> MT3048B | <input type="checkbox"/> MT3072S |
| <input type="checkbox"/> MT2448S-BS | <input type="checkbox"/> MT3048GT | <input type="checkbox"/> MT3072S-BS |
| <input type="checkbox"/> MT2448ST | <input type="checkbox"/> MT3048S | <input type="checkbox"/> MT3072ST |
| <input type="checkbox"/> MT2448ST-BS | <input type="checkbox"/> MT3048ST | <input type="checkbox"/> MT3072ST-BS |
| <input type="checkbox"/> MT2460B | <input type="checkbox"/> MT3060B | <input type="checkbox"/> MT3096B |
| <input type="checkbox"/> MT2460GT | <input type="checkbox"/> MT3060B-BS | <input type="checkbox"/> MT3096B-BS |
| <input type="checkbox"/> MT2460S | <input type="checkbox"/> MT3060GT | <input type="checkbox"/> MT3096S |
| <input type="checkbox"/> MT2460ST | <input type="checkbox"/> MT3060GT-BS | <input type="checkbox"/> MT3096S-BS |
| <input type="checkbox"/> MT2472B | <input type="checkbox"/> MT3060S | <input type="checkbox"/> MT3096GT |
| <input type="checkbox"/> MT2472GT | <input type="checkbox"/> MT3060S-BS | <input type="checkbox"/> MT3096GT-BS |
| <input type="checkbox"/> MT2472S | <input type="checkbox"/> MT3060ST | <input type="checkbox"/> MT3096ST |
| <input type="checkbox"/> MT2472ST | <input type="checkbox"/> MT3060ST-BS | <input type="checkbox"/> MT3096ST-BS |

Tabletop

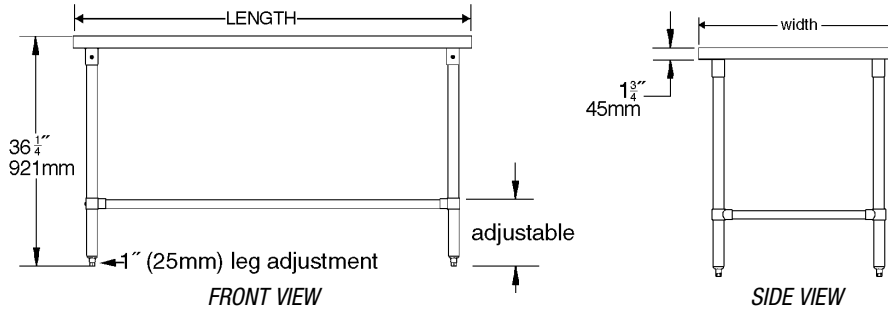
- 1 $\frac{3}{4}$ " (44mm)-thick hardwood tabletop.
- Available with a flat top or with 4" (102mm) covered splashes on back and ends.
- Stainless steel gussets.

Bases

- Adjustable 1 $\frac{3}{4}$ " (32mm)-diameter tubular base or adjustable undershelf available.
- Both bases available in galvanized or stainless steel.
- Galvanized base features heavy gauge galvanized legs and 1" (25mm) adjustable hi-impact plastic bullet feet.
- Stainless steel base features 16 gauge stainless steel legs and stainless steel bullet feet.
- Legs on all tables are 1 $\frac{3}{4}$ " (41mm) diameter.



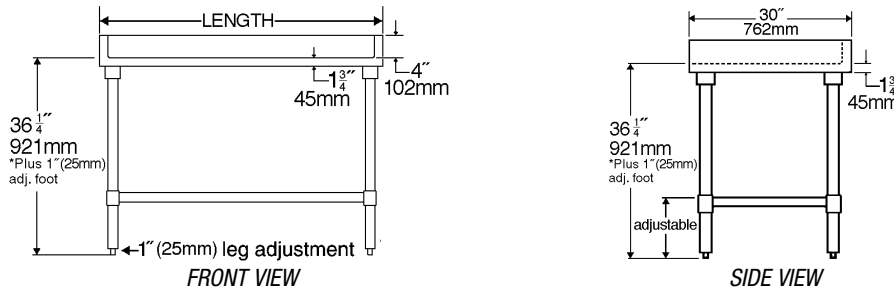
Hardwood Work Tables with Flat Top...



Hardwood Tables

...WITH ADJUSTABLE UNDERSHELF				...WITH TUBULAR BASE				width		length	
GALVANIZED	STAINLESS	weight		GALVANIZED	STAINLESS	weight		in.	mm	in.	mm
model #	model #	lbs.	kg	model #	model #	lbs.	kg				
MT2448B	MT2448S	94	42.6	MT2448GT	MT2448ST	92	41.7	24"	610	48"	1219
MT2460B	MT2460S	118	53.5	MT2460GT	MT2460ST	117	53.1	24"	610	60"	1524
MT2472B	MT2472S	141	64.0	MT2472GT	MT2472ST	138	62.6	24"	610	72"	1829
MT2496B	MT2496S	189	85.7	MT2496GT	MT2496ST	182	82.6	24"	610	96"	2438
MT3048B	MT3048S	141	64.0	MT3048GT	MT3048ST	139	63.1	30"	914	48"	1219
MT3060B	MT3060S	147	66.7	MT3060GT	MT3060ST	145	65.8	30"	914	60"	1524
MT3072B	MT3072S	177	80.3	MT3072GT	MT3072ST	174	77.8	30"	914	72"	1829
MT3096B	MT3096S	235	106.6	MT3096GT	MT3096ST	230	104.3	30"	914	96"	2438

Hardwood Work Tables with Backsplash and End Splashes...



...WITH ADJUSTABLE UNDERSHELF				...WITH TUBULAR BASE				width		length	
GALVANIZED	STAINLESS	weight		GALVANIZED	STAINLESS	weight		in.	mm	in.	mm
model #	model #	lbs.	kg	model #	model #	lbs.	kg				
MT3048B-BS	MT3048S-BS	110	49.9	MT3048GT-BS	MT3048ST-BS	119	54.0	30"	914	48"	1219
MT3060B-BS	MT3060S-BS	149	67.6	MT3060GT-BS	MT3060ST-BS	147	66.7	30"	914	60"	1524
MT3072B-BS	MT3072S-BS	180	81.6	MT3072GT-BS	MT3072ST-BS	177	80.3	30"	914	72"	1829
MT3096B-BS	MT3096S-BS	240	108.9	MT3096GT-BS	MT3096ST-BS	235	106.6	30"	914	96"	2438

Optional Casters For Hardwood Work Tables

ZINC WITH RESILIENT TREAD			NICKEL WITH POLY TREAD			POLYMER CART WASHABLE			
model #	wt. cap.*		model #	wt. cap.*		model #	wt. cap.*		
	lbs.	kg		lbs.	kg		lbs.	kg	
CA4-SB	115	52.2	-	-	-	-	-	-	4" (102mm)-dia., set of 4 (2 swivel, 2 w/brake)
CA6-SB	115	52.2	-	-	-	-	-	-	4" (102mm)-dia., set of 6 (3 swivel, 3 w/brake)
CAH4-SB	200	90.7	CAHP4-SB	250	113.4	CAHW4-SB	250	113.4	5" (127mm)-dia., set of 4 (2 swivel, 2 w/brake)
CAH6-SB	200	90.7	CAHP6-SB	250	113.4	CAHW6-SB	250	113.4	5" (127mm)-dia., set of 6 (3 swivel, 3 w/brake)

* Weight capacity per caster

