

Wire Gowning Bench Specification Sheet

SMS-10-V69-W14*

Short Form Specifications

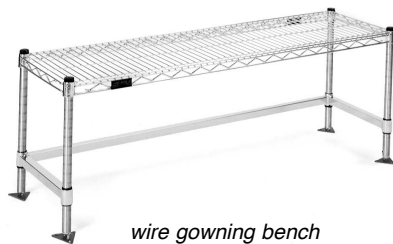
Wire Gowning Benches: 14"-deep wire bench in 36" to 72" length. 62% laminar flow. Stainless steel or chrome plated. Triangular foot plates mounted to 1"-diameter legs.

Gowning Benches with Standard Undersheff: 18"-wide, 300 series stainless steel, 36" to 72" in length. #4 brushed stainless steel seat. Solid or perforated seat. 3/4" x 1" centered perforation pattern. 18"-tall posts with triangular foot plates. One 14"-wide undersheff is standard, with additional shelves optional.

MODELS:

- | | | |
|---------------------------------|----------------------------------|--------------------------------|
| <input type="checkbox"/> CRB09* | <input type="checkbox"/> W14* | <input type="checkbox"/> 1436S |
| <input type="checkbox"/> CRB12* | <input type="checkbox"/> PCRB18* | <input type="checkbox"/> 1448S |
| <input type="checkbox"/> CRB18* | <input type="checkbox"/> SD14-4S | <input type="checkbox"/> 1460S |

* See charts on back for complete model numbers.

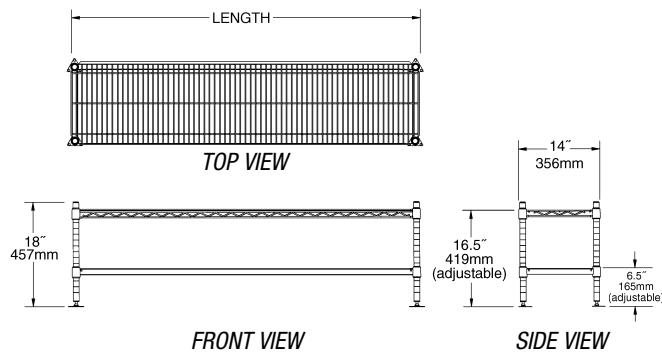


wire gowning bench

Wire Gowning Benches

- Seats: 14" (356mm) wide.
- Legs: 1" (25mm) diameter posts, 18" (457mm) high, 16 gauge type 304 stainless steel.
- Foot plates: 13 gauge stainless steel, triangular. Allows for bench to be bolted to floor if desired.
- Channel frame: 1" (25mm)-square channel, 14 gauge stainless steel.

Wire Gowning Benches



chrome model #	stainless steel model #	width		length		weight	
		in.	mm	in.	mm	lbs.	kg
W1436-GBC	W1436-GBS	14"	356	36"	914	18	8.2
W1448-GBC	W1448-GBS	14"	356	48"	1219	22	10.0
W1460-GBC	W1460-GBS	14"	356	60"	1524	25	11.3
W1472-GBC	W1472-GBS	14"	356	72"	1829	30	13.6

