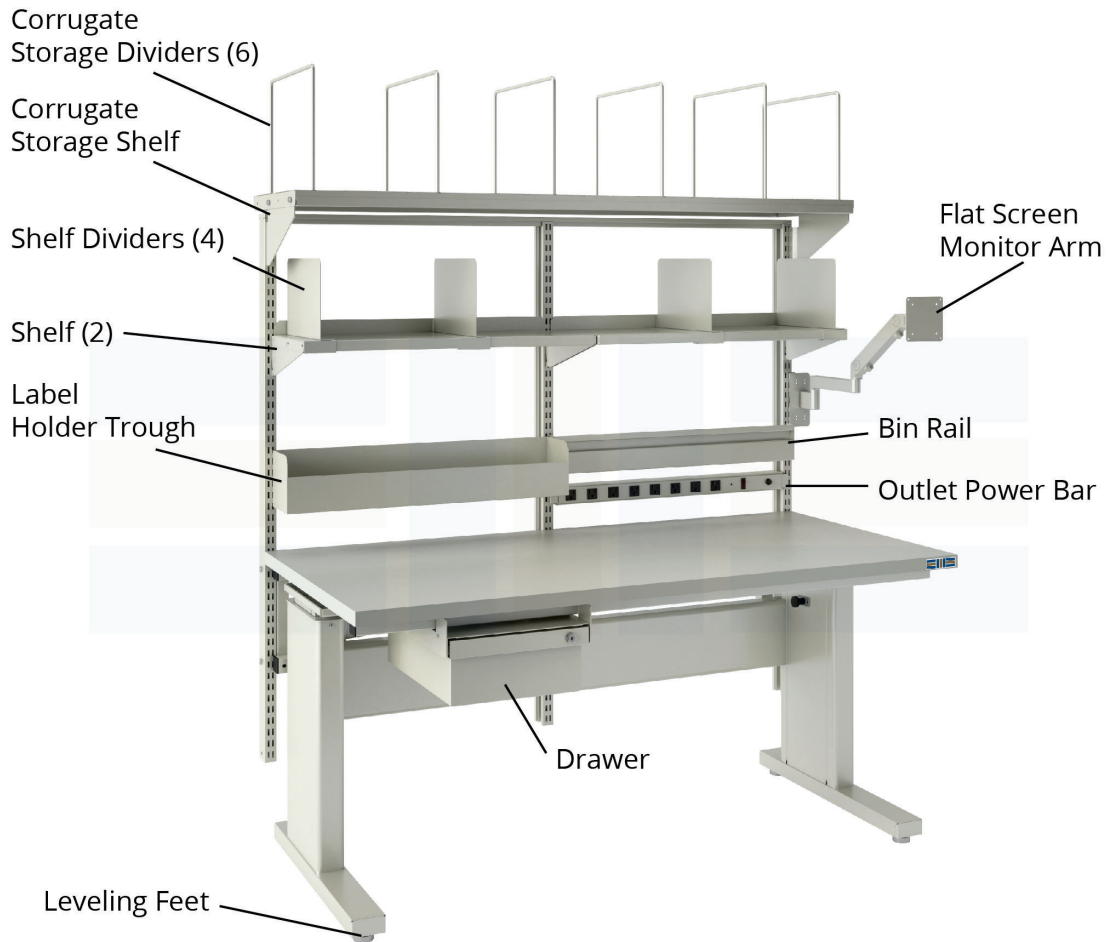


Adjustable Height Packing Station Specification Sheet

SMS-10-V64-BT

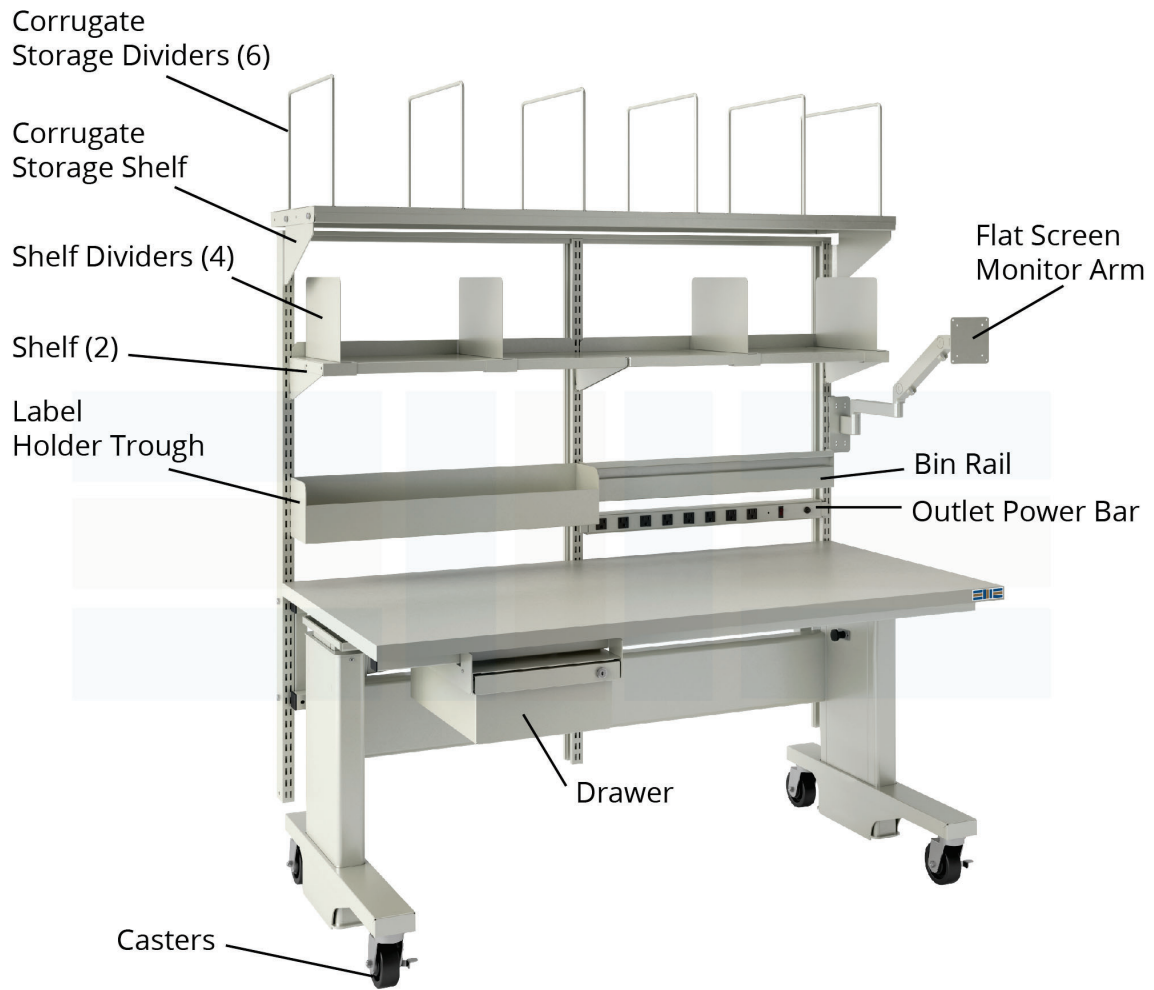
Manual Packing Workstation
 # SMS-64-BT-AFH3060-P1



Description	
Leveling Feet	Bin Rail, 30"w x 4"h
6"h Drawer, 12"w x 18"d x 6"h	One 8-Outlet Power Bar
Corrugate Storage Shelf, 60"w x 15"d	Flat Screen Monitor Arm
Two Shelves, 30"w x 12"d x 1"h	Four Shelf Dividers, 12"d x 8"h, Single
Six Corrugate Storage Dividers, 15"d x 12"h	Label Holder Trough, 30"w x 5"d x 5"h

Manual Packing Workstation with Casters

SMS-64-BT-AFH3060-P2



Description	
5" Casters (2-Locking and 2-Non-Locking)	Bin Rail, 30"w x 4"h
6"h Drawer, 12"w x 18"d x 6"h	One 8-Outlet Power Bar
Corrugate Storage Shelf, 60"w x 15"d	Flat Screen Monitor Arm
Two Shelves, 30"w x 12"d x 1"h	Four Shelf Dividers, 12"d x 8"h, Single
Six Corrugate Storage Dividers, 15"d x 12"h	Label Holder Trough, 30"w x 5"d x 5"h

