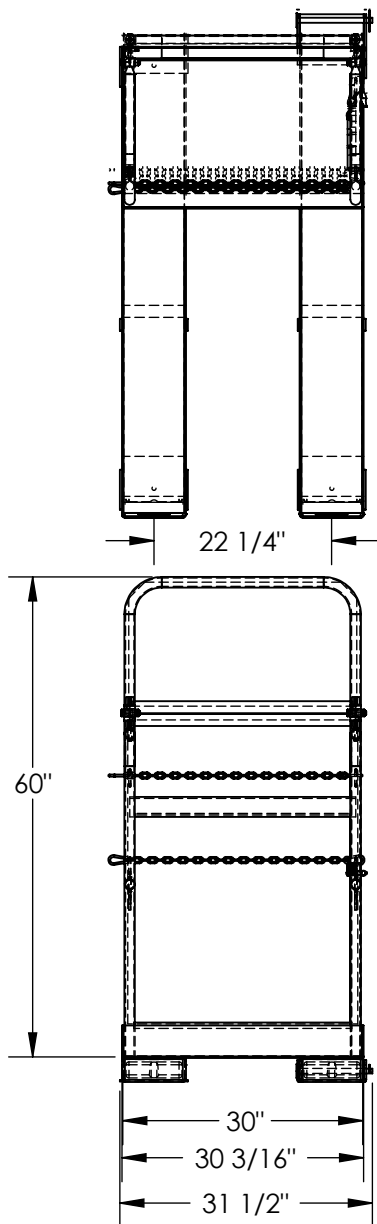
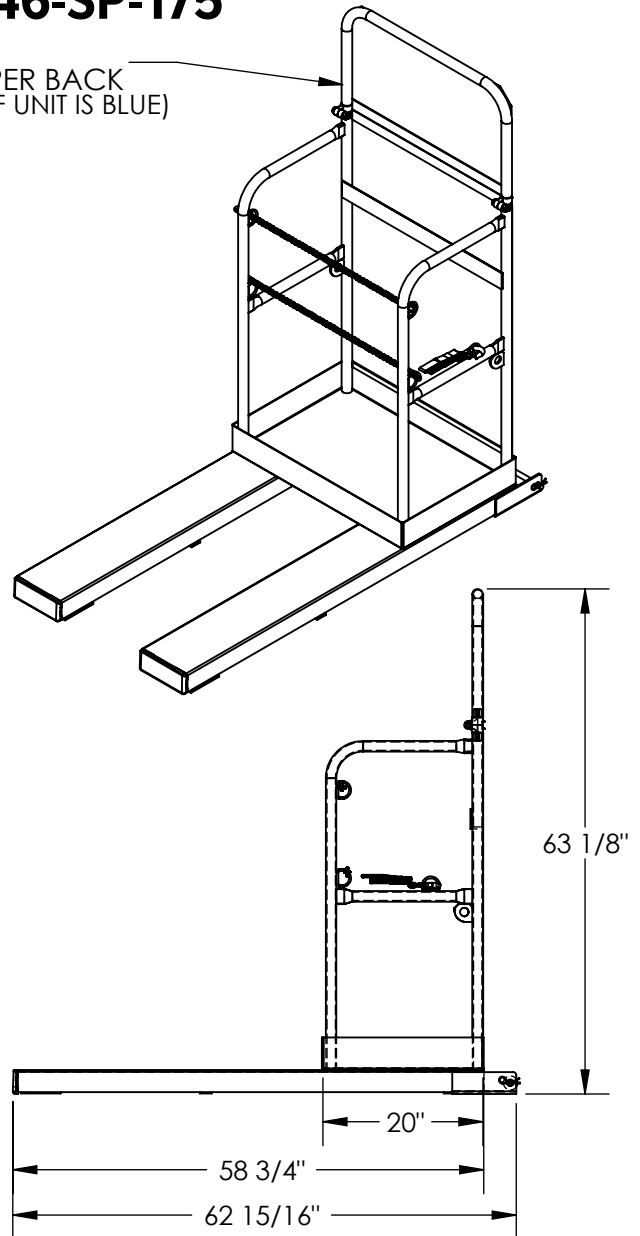


Stock Picker Platform Technical Drawing

SMS-09-V46-SP-175



YELLOW UPPER BACK
(REMAINDER OF UNIT IS BLUE)



STANDARD FEATURES

MODEL NUMBER IS SMS-09-V46-SP-175
 OVERALL WIDTH IS 31 1/2"
 USABLE WIDTH IS 30 3/16"
 OVERALL LENGTH IS 62 15/16"
 USABLE LENGTH IS 58 3/4"
 OVERALL HEIGHT IS 63 1/8"
 PLATFORM SIZE IS 30" X 20"
 FORK POCKET CENTER IS 22 1/4"
 EXPANDED METAL BACK HEIGHT IS 60"
 TOUGH BAKED IN POWDER COATED ERGO BLUE
 FINISH FRAME AND YELLOW UPPER BACK
 MAX CAPACITY IS 4000 LBS.
 1,000 LBS BASKET CAPACITY
 3,000 LBS PLATFORM CAPACITY

NEVER EXCEED LOAD CENTER RATING PER FORK TRUCK
 MANUFACTURER'S GUIDELINES.
 DO NOT USE THIS FORK TRUCK ATTACHMENT IF LOAD WILL
 EXCEED FORK TRUCK MANUFACTURER'S LOAD
 CENTER RATING.

