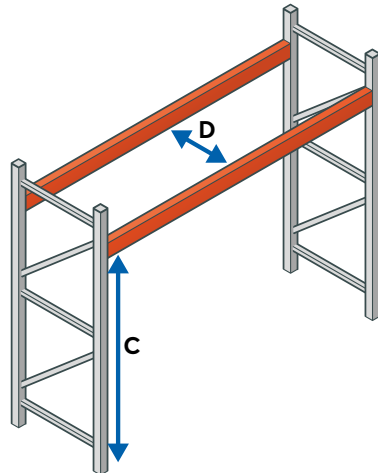
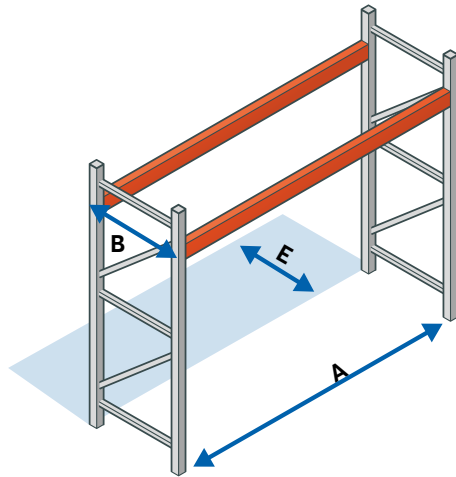


Rack dimensions



A
.....

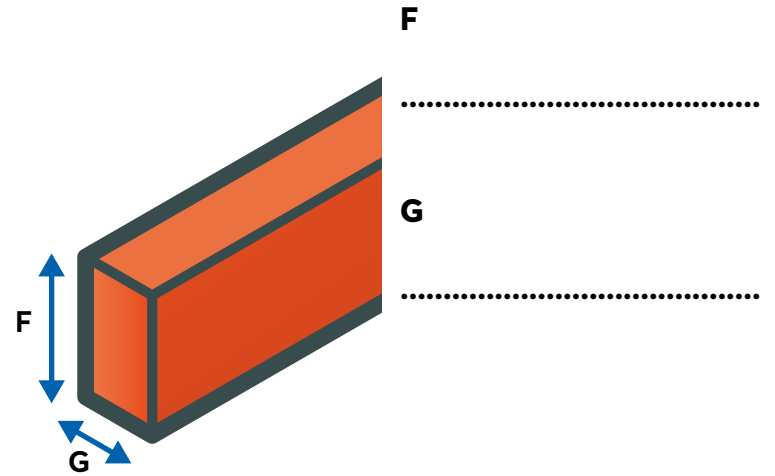
B
.....

C
.....

D (=B - 2*G)
.....

E
.....

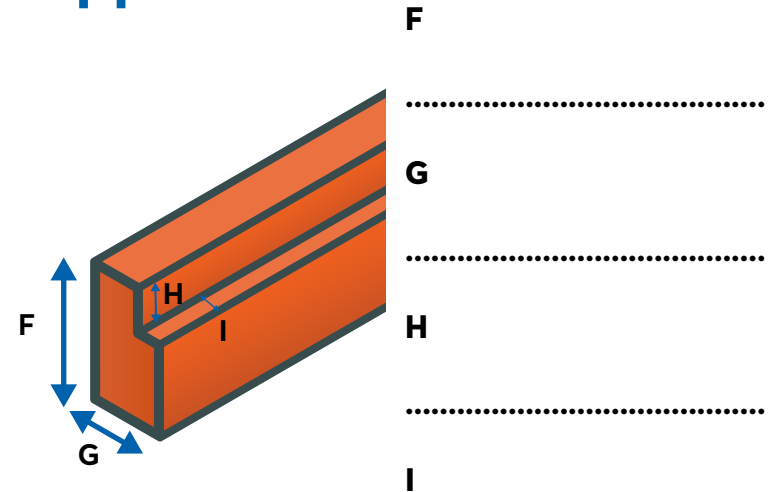
Rectangle beam



F
.....

G
.....

Stepped beam



F
.....

G
.....

H
.....

I
.....