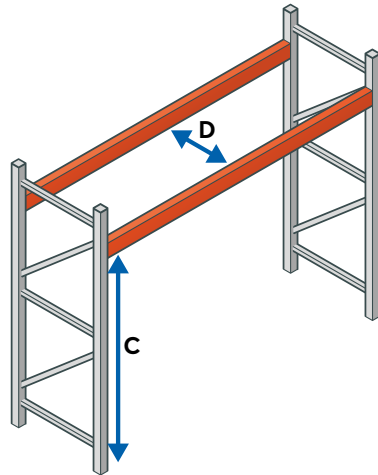
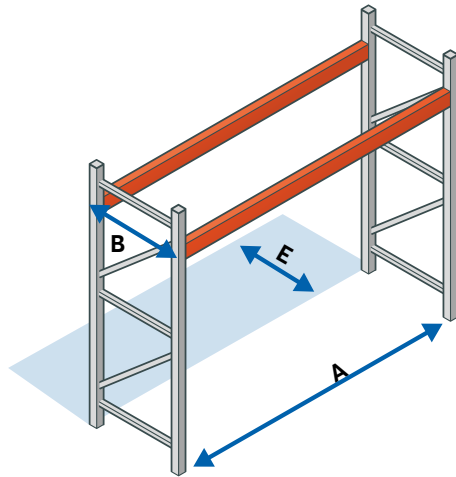


# Rack dimensions



**A**  
.....

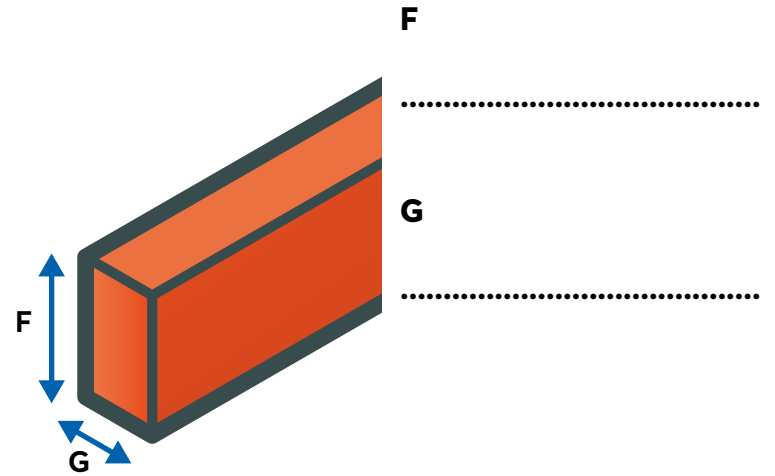
**B**  
.....

**C**  
.....

**D (=B - 2\*G)**  
.....

**E**  
.....

# Rectangle beam



# Stepped beam

