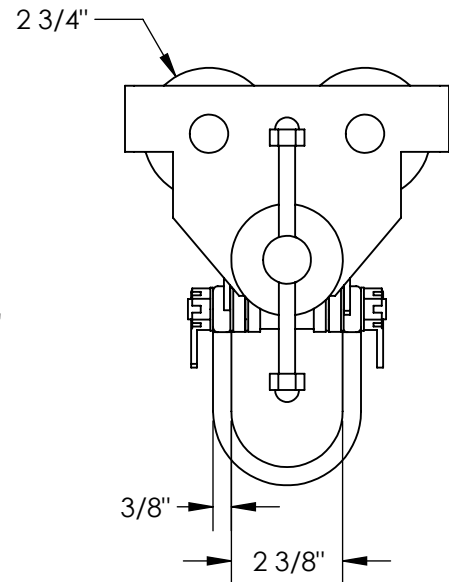
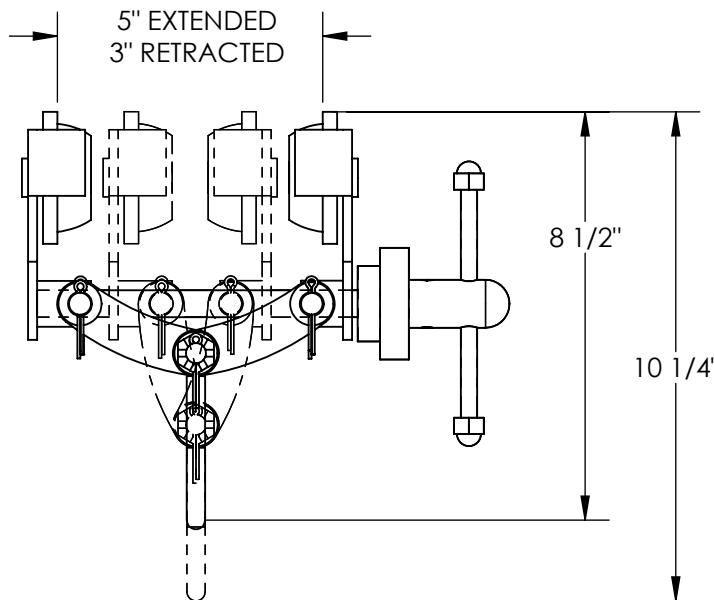
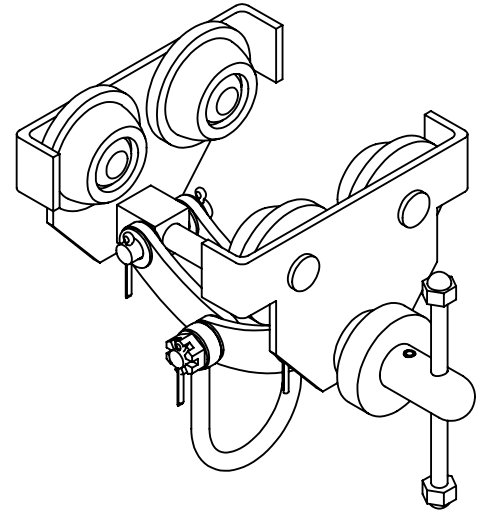
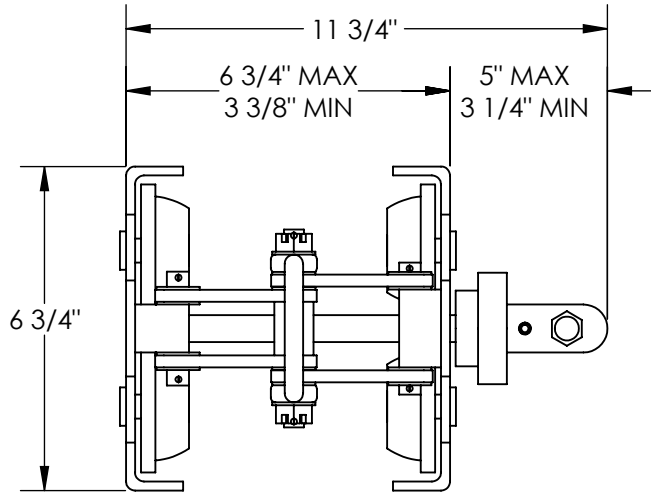


# I Beam Trolley Technical Drawings

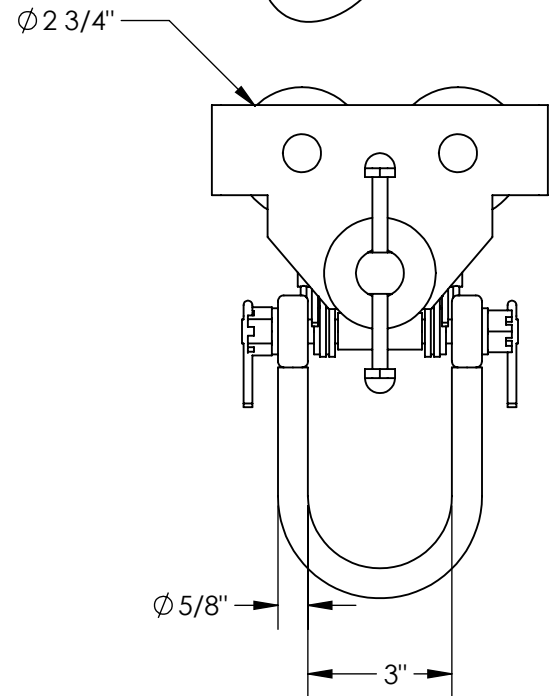
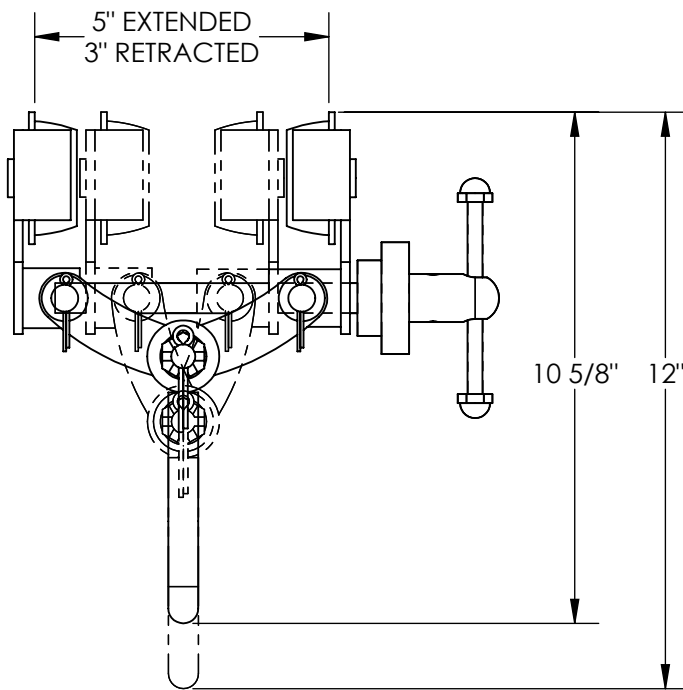
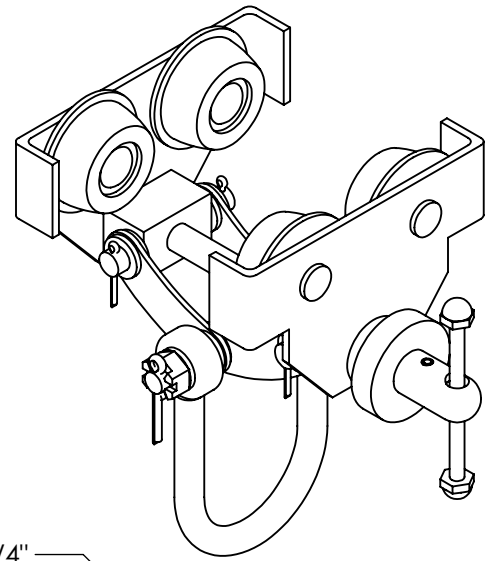
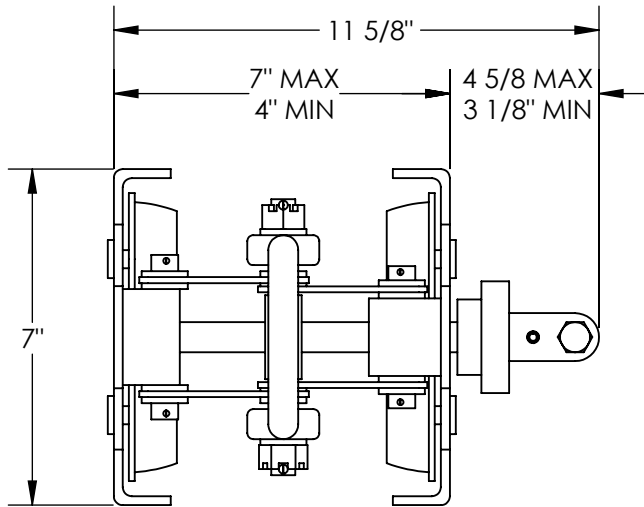
## SMS-09-V46-QIT



### STANDARD FEATURES

MODEL NUMBER IS SMS-09-V46-QIT-1  
 FITS BEAM FLANGE WIDTH OF 3" TO 5"  
 HEADROOM 6 3/4"  
 OVERALL WIDTH IS 11 3/4"  
 OVERALL LENGTH IS 6 3/4"  
 OVERALL HEIGHT IS 10 1/4" MAX TO 8 1/2" MIN  
 UNIFORM CAPACITY OF 1,000 LBS  
 STEEL CONSTRUCTION WITH PAINTED FINISH  
 2 3/8" SHACKLE

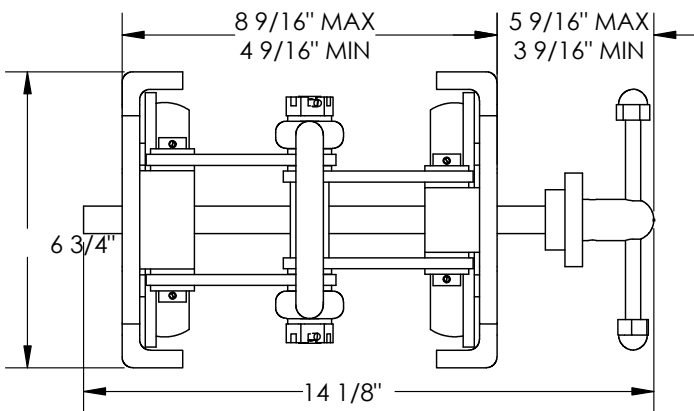
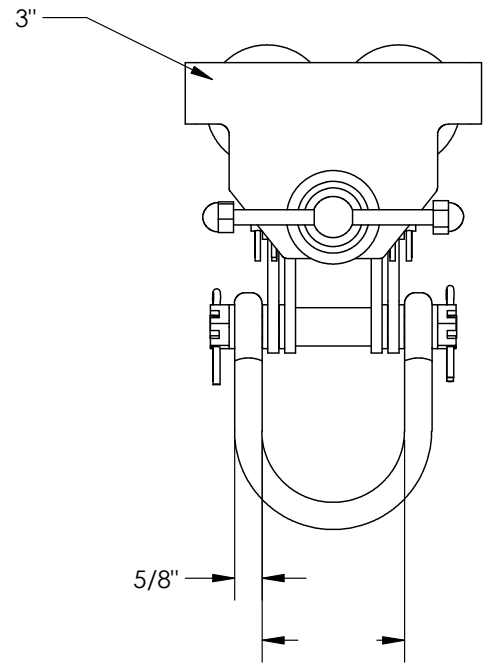
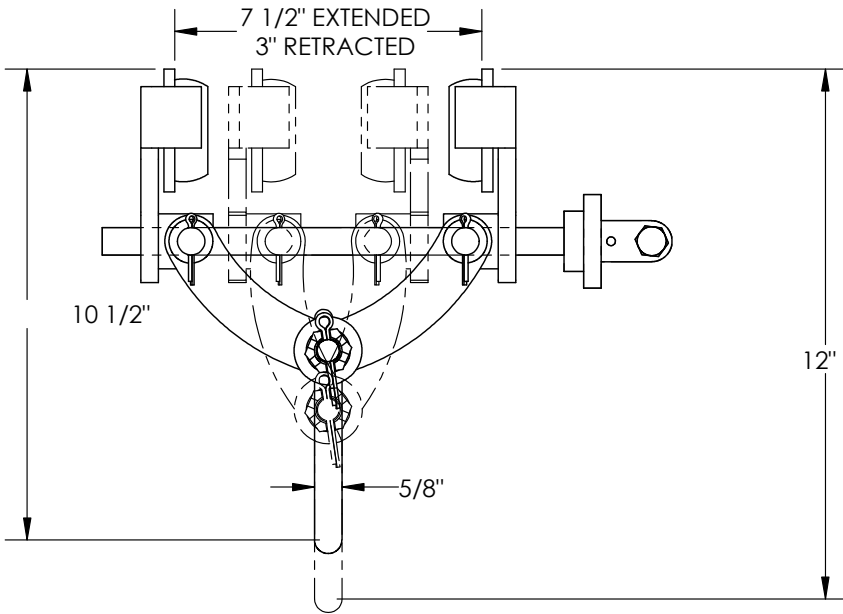




**STANDARD FEATURES**

- MODEL NUMBER IS SMS-09-V46-QIT-2
- FITS BEAM FLANGE OF 3" TO 5"
- HEADROOM IS 8 1/8"
- OVERALL WIDTH IS 11 5/8"
- OVERALL LENGTH IS 7"
- OVERALL HEIGHT IS 12" MAX TO 10 5/8" MIN
- UNIFORM CAPACITY IS 2,000 LBS
- STEEL CONSTRUCTION WITH PAINTED FINISH
- 3" SHACKLE



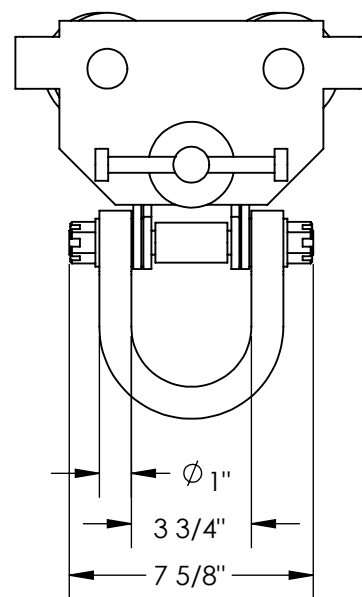
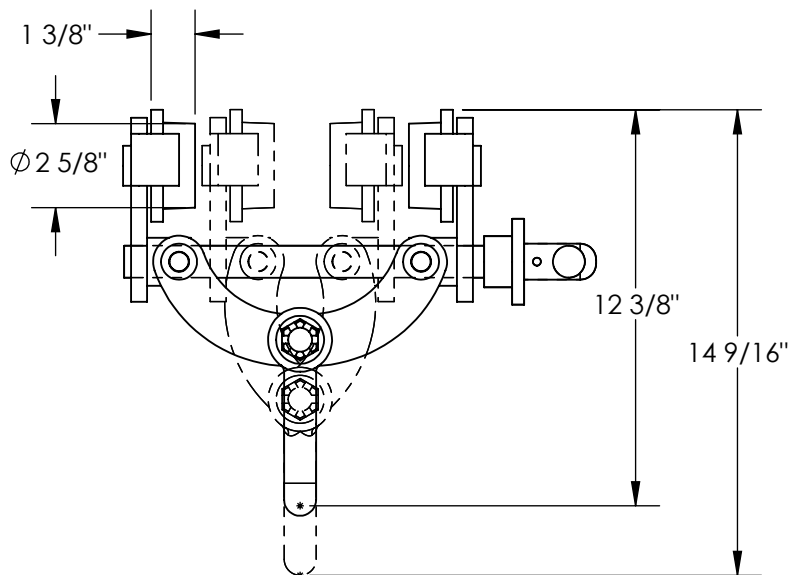
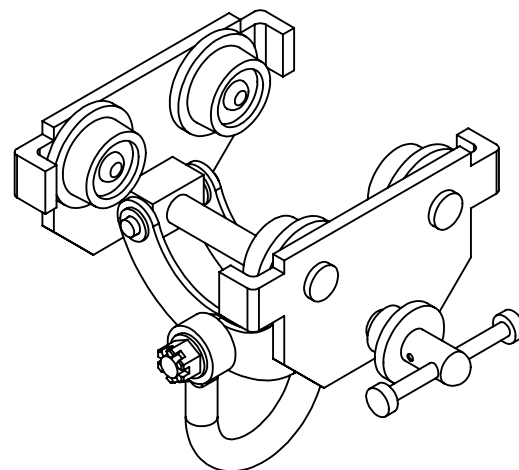
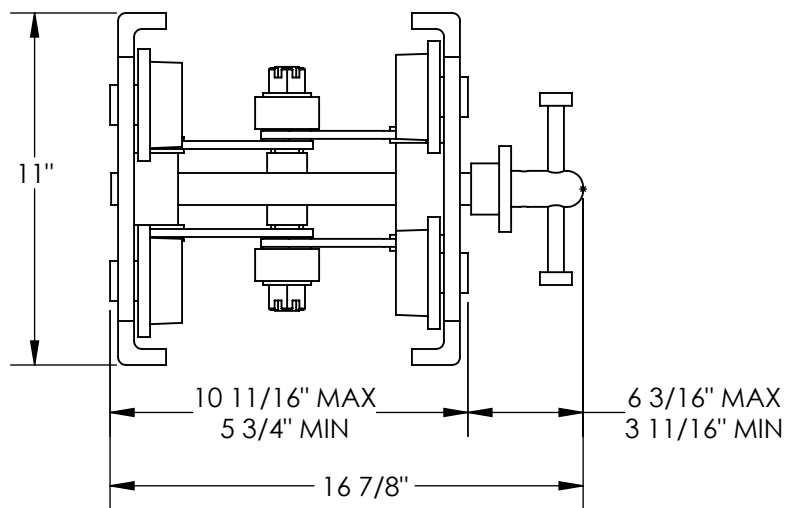


### **STANDARD FEATURES**

MODEL NUMBER IS SMS-09-V46-QIT-4  
 FITS BEAM FLANGE WIDTH OF 3" TO 7 1/2"  
 HEADROOM IS 10"

OVERALL WIDTH IS 14 1/8"  
 OVERALL LENGTH IS 6 3/4"  
 OVERALL HEIGHT IS 12" MAX AND 10 1/2" MIN  
 UNIFORM CAPACITY IS 4,000 LBS  
 STEEL CONSTRUCTION WITH PAINTED FINISH  
 3 1/4" SHACKLE





### STANDARD FEATURES

MODEL NUMBER IS SMS-09-V46-QIT-6

FITS BEAM FLANGE OF 3" TO 7 1/2"

HEADROOM IS 10 3/8"

OVERALL WIDTH IS 16 7/8"

OVERALL LENGTH IS 11"

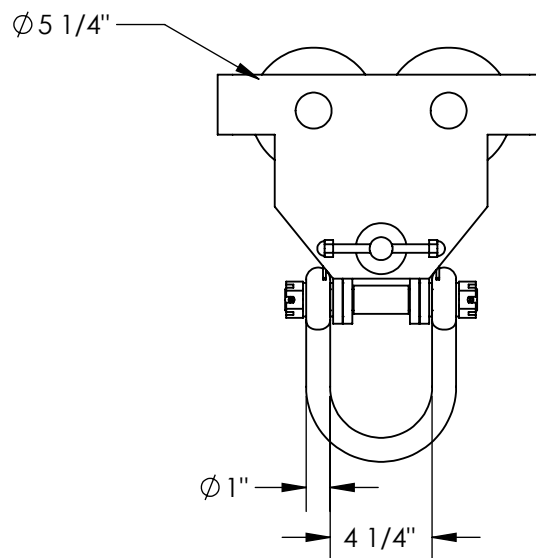
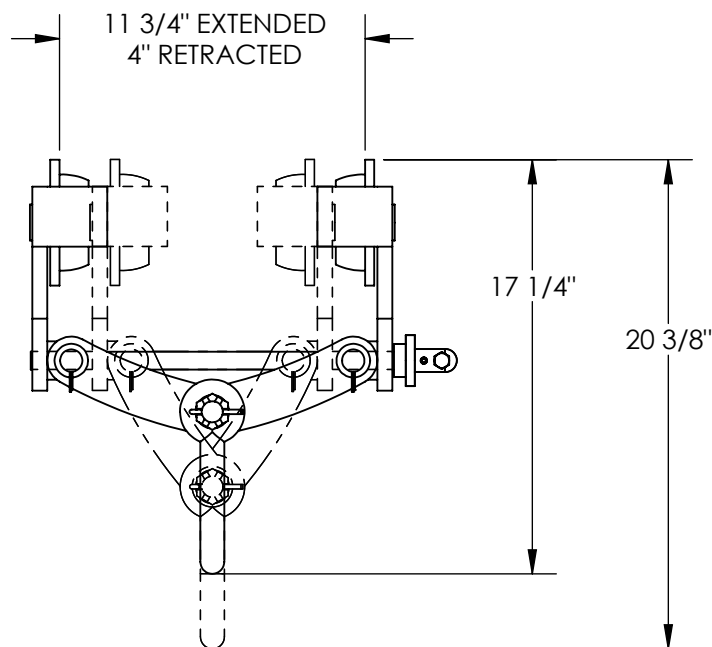
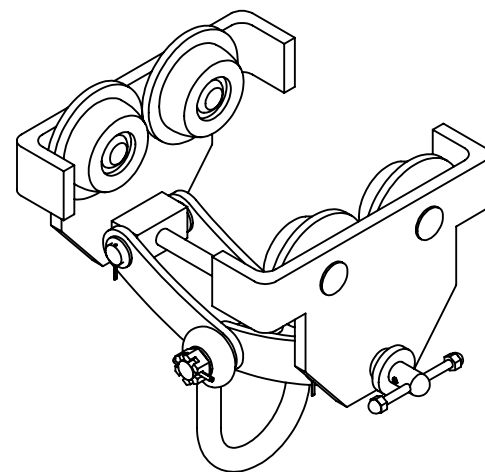
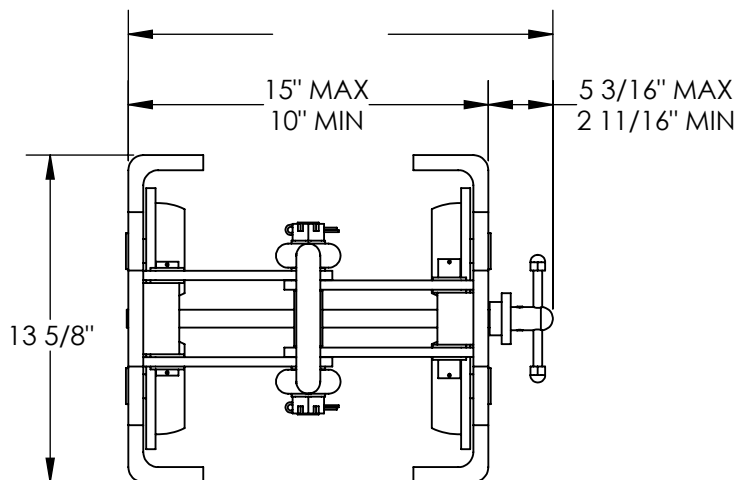
OVERALL HEIGHT IS 14 9/16" MAX TO 12 3/8" MIN

UNIFORM CAPACITY IS 6,000 LBS.

STEEL CONSTRUCTION WITH PAINTED FINISH

3 3/4" SHACKLE

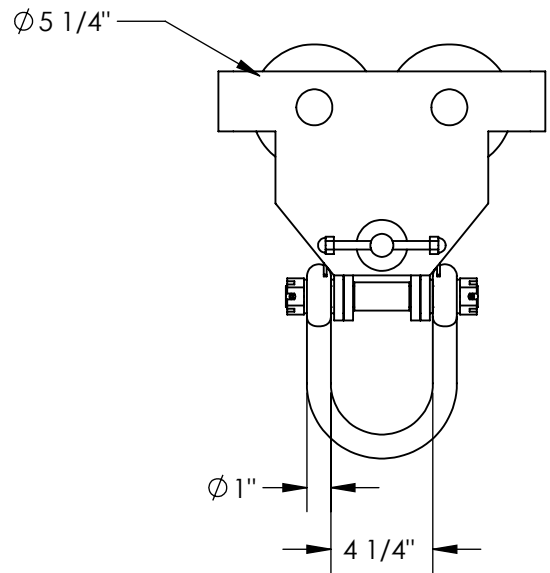
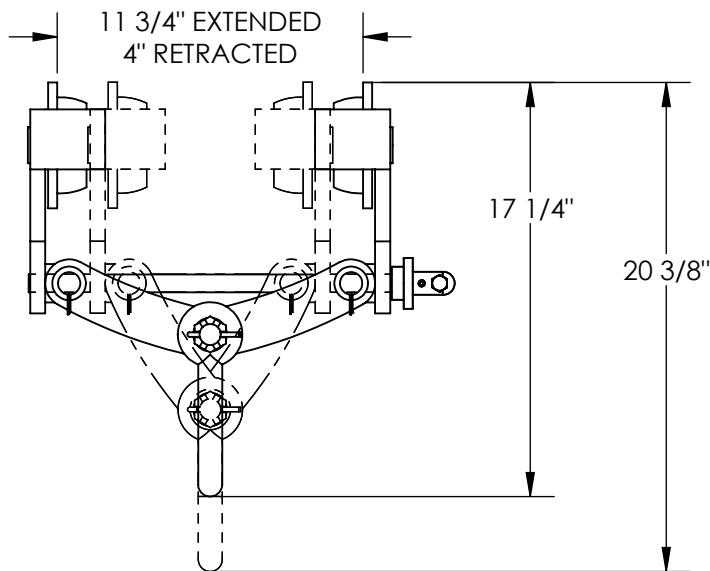
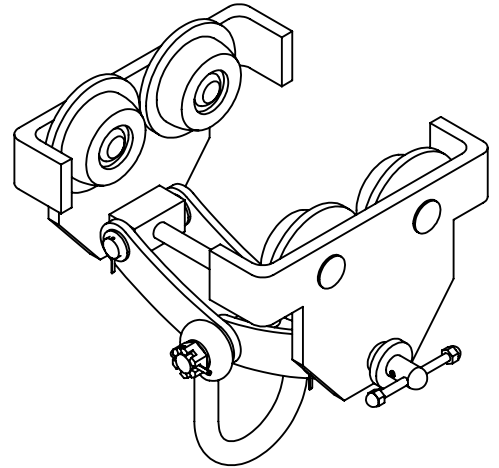
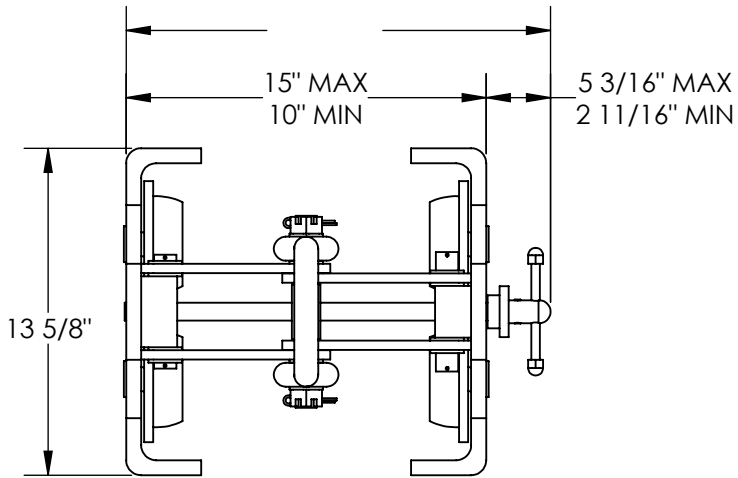




**STANDARD FEATURES**

- MODEL NUMBER IS SMS-09-V46-QIT-8
- FITS BEAM FLANGE WIDTH OF 4" TO 11 3/4"
- HEADROOM IS 13 7/8"
- OVERALL WIDTH IS 20 3/16"
- OVERALL LENGTH IS 13 5/8"
- OVERALL HEIGHT IS 20 3/8" MAX AND 17 1/4" MIN
- UNIFORM CAPACITY LOAD IS 8,000 LBS
- STEEL CONSTRUCTION WITH PAINTED FINISH
- 4 1/4" SHACKLE





**STANDARD FEATURES**

MODEL NUMBER IS SMS-09-V46-QIT-10  
 FITS BEAM FLANGE WIDTH OF 4" TO 11 3/4"  
 HEADROOM IS 13 7/8"  
 OVERALL WIDTH IS 20 3/16"  
 OVERALL LENGTH IS 13 5/8"  
 OVERALL HEIGHT IS 20 3/8" MAX AND 17 1/4" MIN  
 UNIFORM CAPACITY LOAD IS 10,000 LBS  
 STEEL CONSTRUCTION WITH PAINTED FINISH  
 4 1/4" SHACKLE

