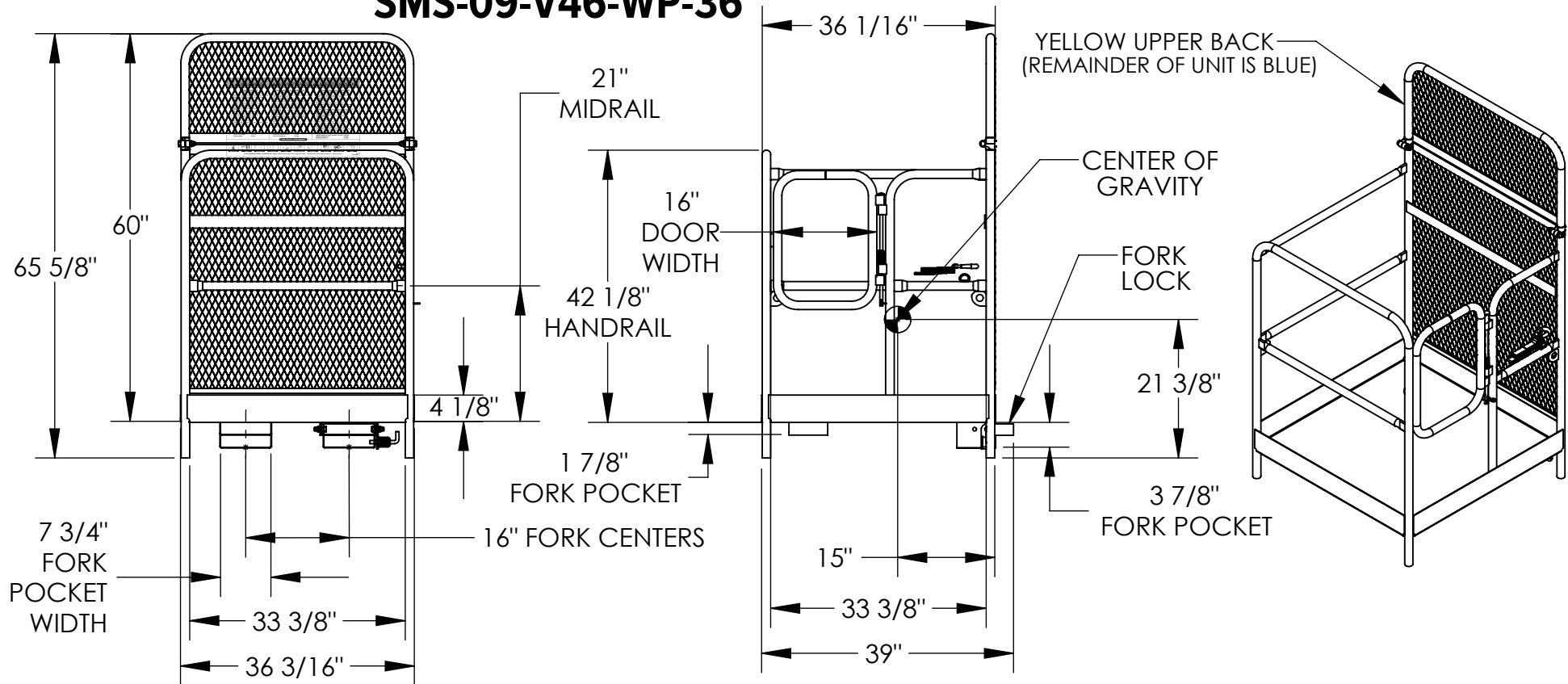


Forklift Work Platforms Technical Drawings

SMS-09-V46-WP-36



STANDARD FEATURES

MODEL NUMBER IS SMS-09-V46-WP-3636

OVERALL WIDTH IS 36 3/16"

CAPACITY IS 1,000 LBS. (EVENLY DISTRIBUTED LOAD)

USABLE WIDTH IS 33 3/8"

OVERALL LENGTH IS 39"

USABLE LENGTH IS 33 3/8"

42 1/8" HIGH HANDRAIL WITH 21" MIDRAIL AND 4 1/8" TOEBOARD SELF-CLOSING DOOR SWINGS IN ONLY (WILL NOT OPEN OUT)

FORK LOCK IS ROTATED UP BEHIND BACK OF FORK AND LOCKED WITH SPRING LOADED PLUNGER

36" LONG STRAP WITH HOOK (NOT SHOWN) MUST ATTACH PLATFORM TO FORK TRUCK

60" HIGH EXPANDED MESH BACKING

USABLE FORK POCKET HEIGHTS: 3 7/8" REAR, 1 7/8" FRONT

USABLE FORK POCKET WIDTH: 7 3/4"

MANUFACTURED TO MEET OUR INTERPRETATION OF OSHA STANDARDS TOUGH BAKED IN POWDER COATED

ERGO BLUE FINISH FRAME AND YELLOW UPPER BACK

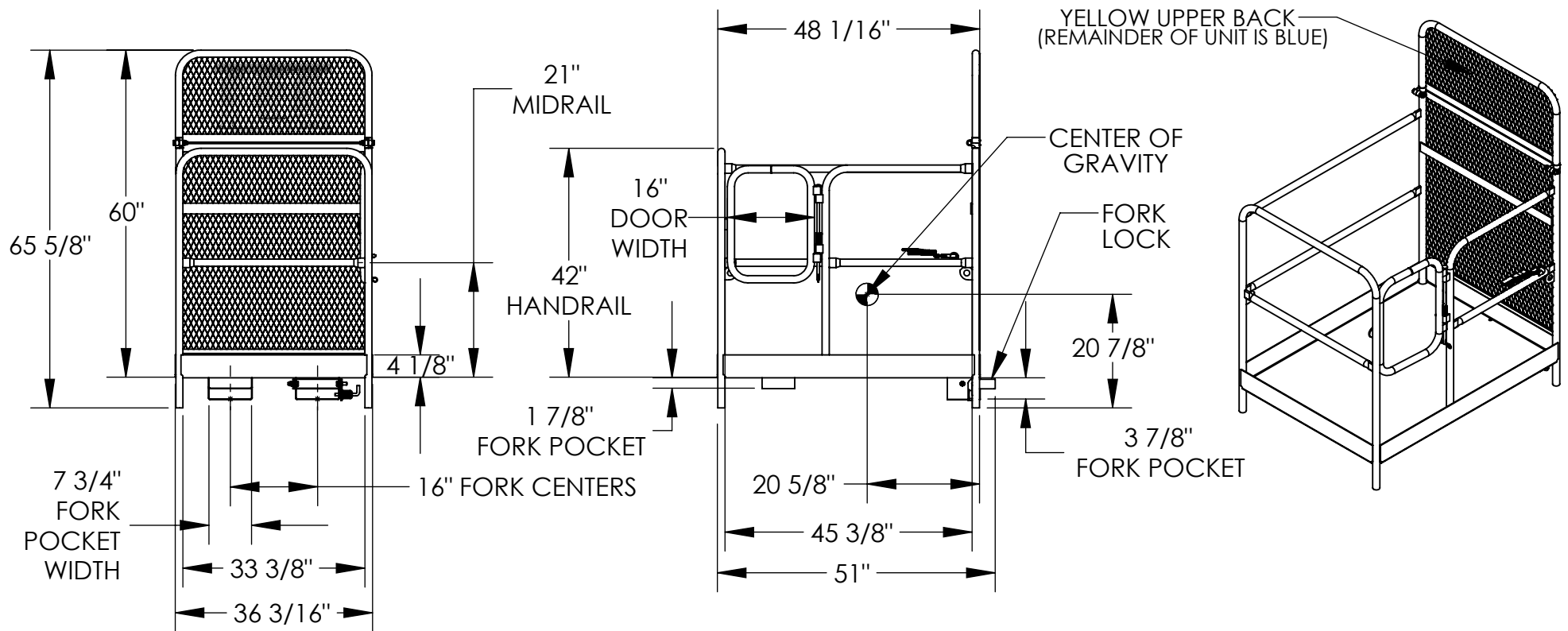
NEVER EXCEED LOAD CENTER RATING

PER FORK TRUCK MANUFACTURER'S GUIDELINES.

DO NOT USE THIS FORK TRUCK ATTACHMENT

FORK TRUCK MANUFACTURER'S LOAD CENTER RATING.





STANDARD FEATURES

MODEL NUMBER IS SMS-09-V46-WP-3648
 CAPACITY IS 1,000 LBS. (EVENLY DISTRIBUTED LOAD)
 OVERALL WIDTH IS 36 3/16"
 USABLE WIDTH IS 33 3/8"
 OVERALL LENGTH IS 51"
 USABLE LENGTH IS 45 3/8"
 42" HIGH HANDRAIL WITH 21" MIDRAIL AND 4 1/8" TOEBOARD SELF-CLOSING DOOR SWINGS IN ONLY (WILL NOT OPEN OUT) FORK LOCK IS ROTATED UP BEHIND BACK OF FORK AND LOCKED WITH SPRING LOADED PLUNGER
 36" LONG STRAP WITH HOOK (NOT SHOWN) MUST ATTACH

PLATFORM TO FORK TRUCK
 60" HIGH EXPANDED MESH BACKING
 USABLE FORK POCKET HEIGHTS: 3 7/8" REAR, 1 7/8" FRONT
 USABLE FORK POCKET WIDTH: 7 3/4"
 MANUFACTURED TO MEET OUR INTERPRETATION OF OSHA STANDARDS
 TOUGH BAKED IN POWDER COATED ERGO BLUE FINISH FRAME AND
 YELLOW UPPER BACK

NEVER EXCEED LOAD CENTER RATING
 PER FORK TRUCK MANUFACTURER'S GUIDELINES.
 DO NOT USE THIS FORK TRUCK ATTACHMENT IF LOAD WILL
 EXCEED FORK TRUCK MANUFACTURER'S LOAD CENTER RATING.

