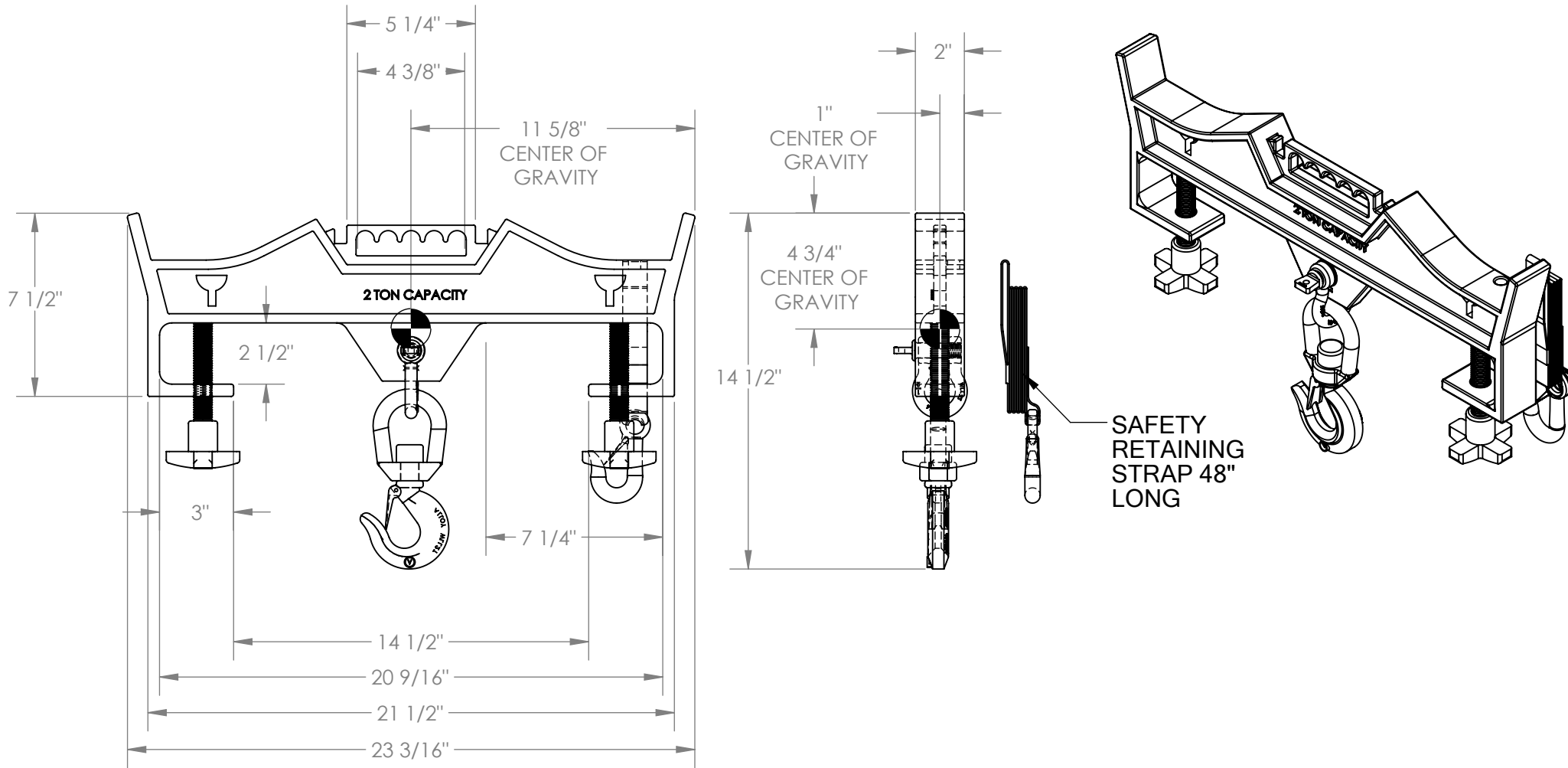


Forklift Hoisting Hook Technical Drawings

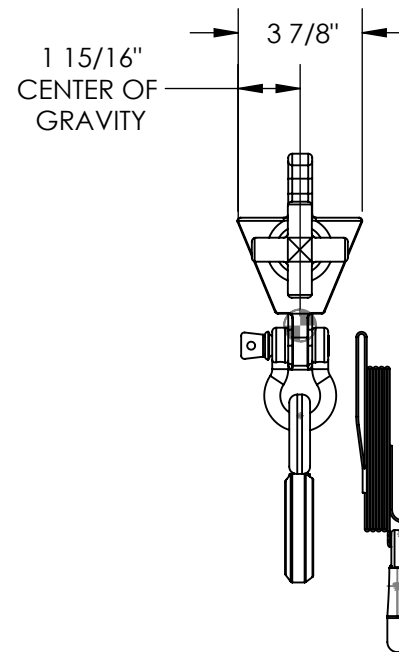
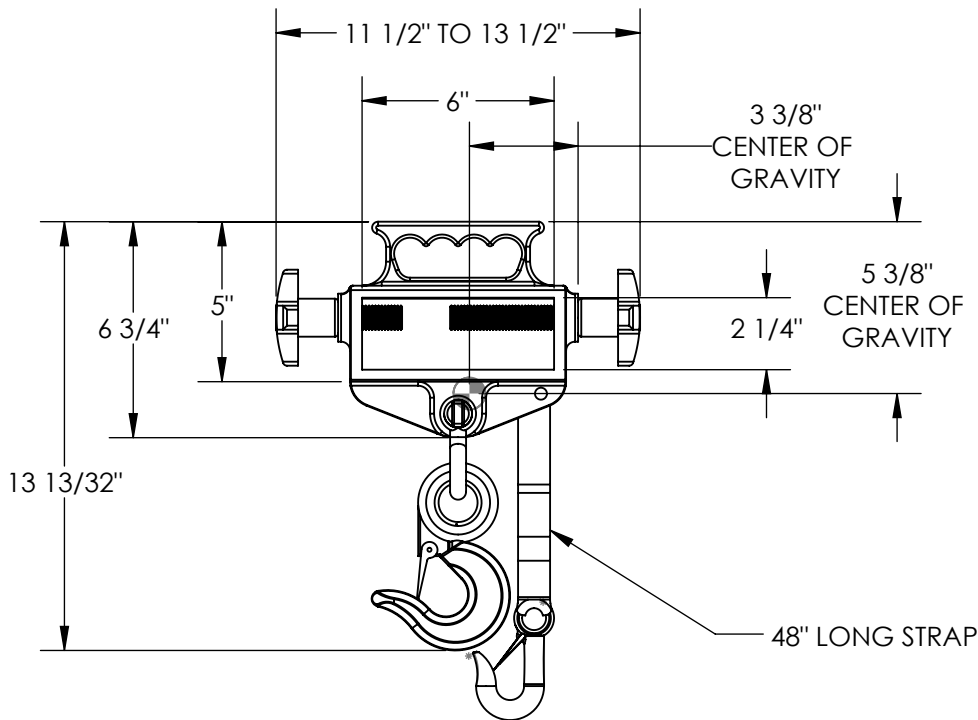
SMS-09-V46



STANDARD FEATURES

MODEL NUMBER: SMS-09-V46-D-FORK-4-SL
 CAPACITY: 4,000 LBS (2 TONS)
 FORK OPENINGS: 7 1/4" W x 2 1/2" H
 MAX FORK WIDTH 20 9/16"
 OVERALL LENGTH: 23 3/16"
 BODY HEIGHT: 7 1/2"
 STRAP LENGTH: SAFETY RETAINING STRAP 48" LONG
 EFFECTIVE THICKNESS: ADJUSTABLE



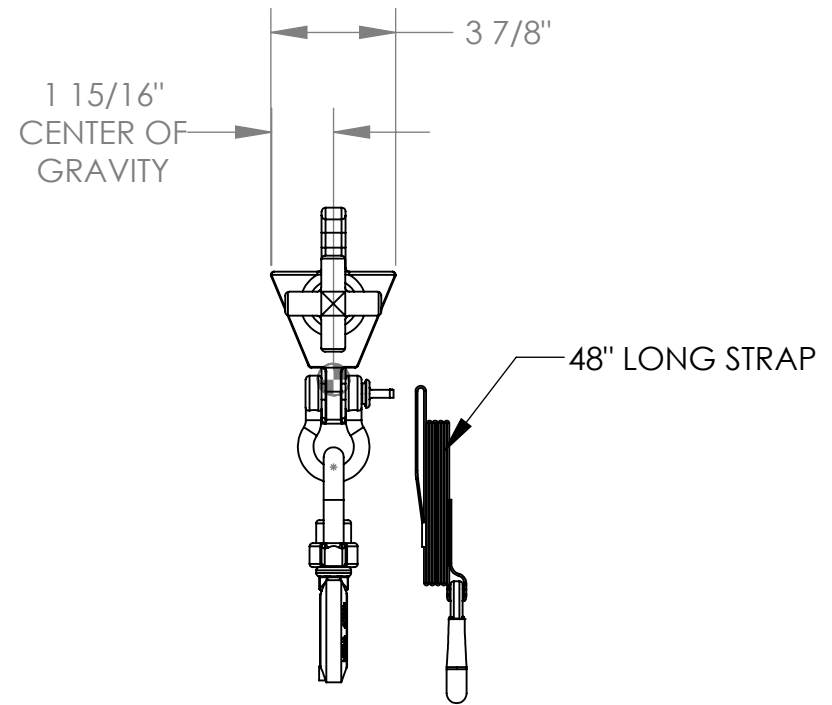
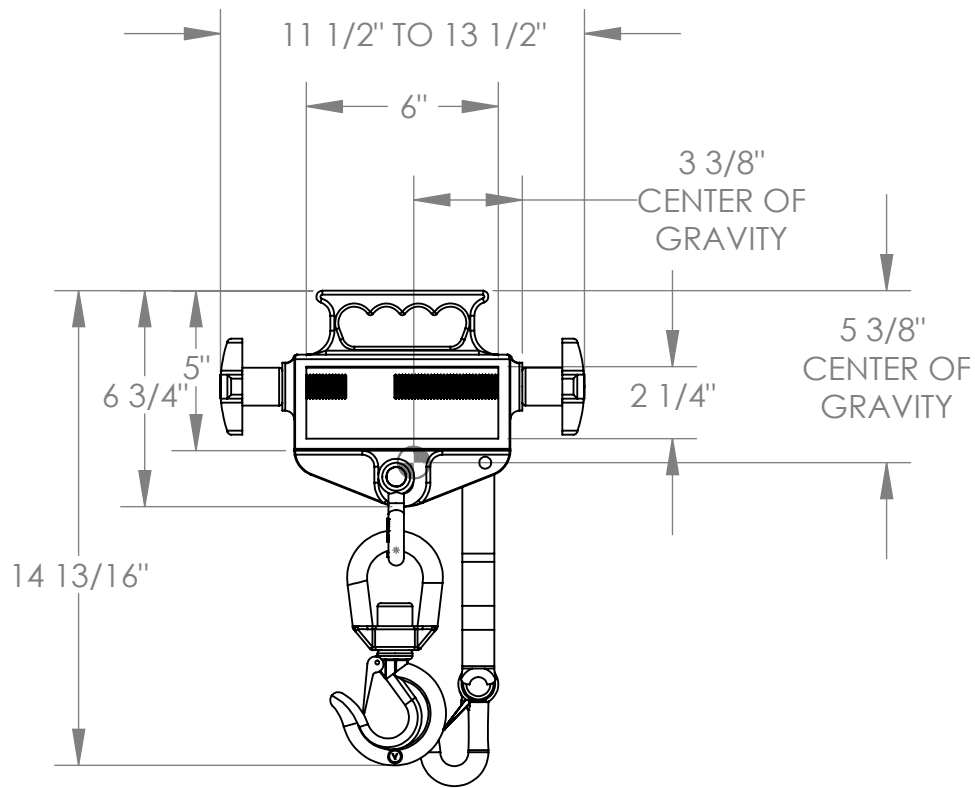


STANDARD FEATURES

MODEL NUMBER IS SMS-09-V46-S-FORK-4/6-RL
 CAPACITY: 4,000 LBS
 OVERALL DEPTH: 3 7/8"
 BODY HEIGHT: 6 3/4" (EXCLUDES SHACKEL AND HOOK)
 OVERALL LENGTH: 13 13/32"
 USABLE FORK POCKET: 2 1/4" x 6"
 RIGID HOOK
 ADJUSTABLE WIDTH: 11 1/2" TO 13 1/3"

NEVER EXCEED LOAD CENTER RATING PER
 FORK TRUCK MANUFACTURER'S GUIDELINES
 DO NOT USE THESE FORK EXTENTIONS IF
 LOAD WILL EXCEED FORK TRUCK
 MANUFACTURER'S LOAD CENTER RATING



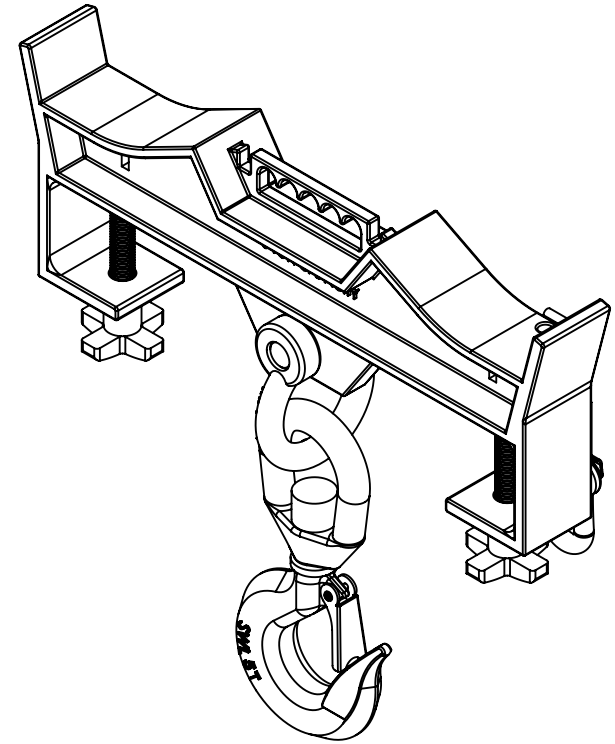
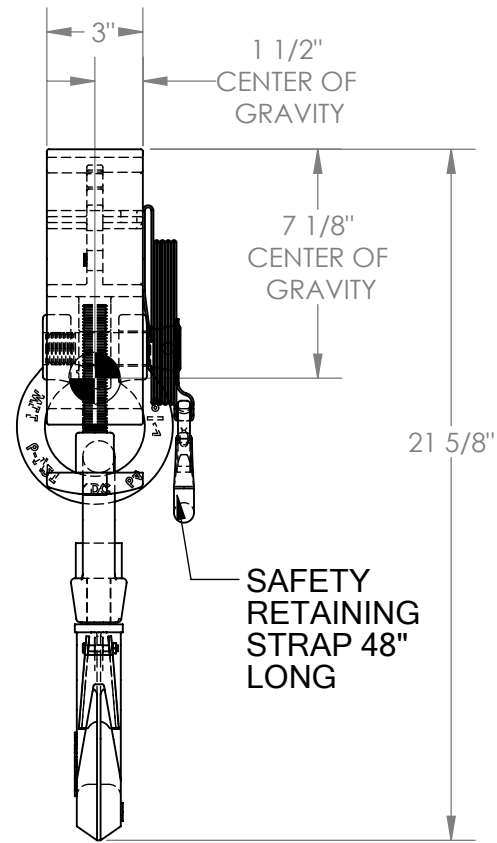
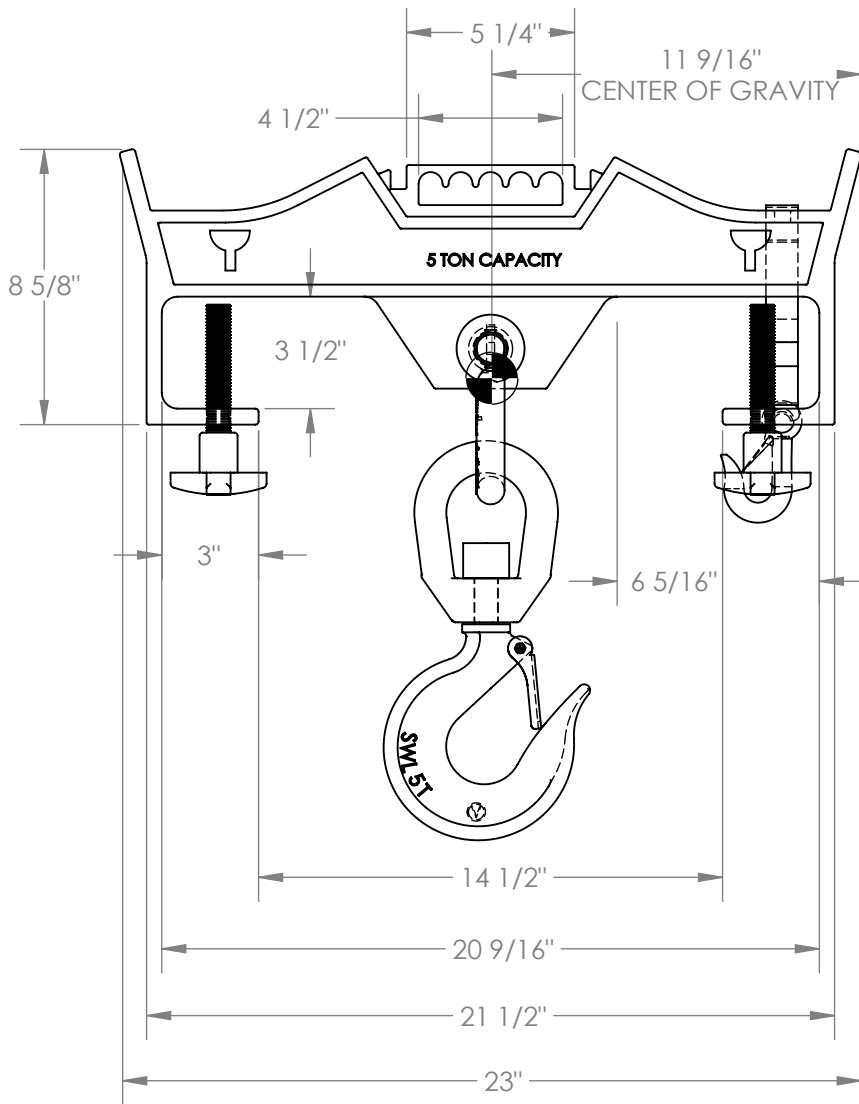


STANDARD FEATURES

- MODEL NUMBER IS: SMS-09-V46-S-FORK-4/6-SL
- CAPACITY: 4,000LBS
- OVERALL DEPTH IS: 3 7/8"
- BODY HEIGHT: 6 3/4" (EXCLUDES SHACKLE AND HOOK)
- OVERALL LENGTH: 14 13/16"
- USABLE FORK POCKET: 2 1/4" X 6"
- SWIVEL HOOK
- ADJUSTABLE WIDTH: 11 1/2" - 13 1/2"

-NEVER EXCEED LOAD CENTER RATING PER FORK TRUCK MANUFACTURER'S GUIDELINES. DO NOT USE THESE FORK EXTENSIONS IF LOAD WILL EXCEED FORK TRUCK MANUFACTURER'S LOAD CENTER RATING.





STANDARD FEATURES

MODEL NUMBER: SMS-09-V46-D-FORK-10-SL

CAPACITY: 10,000 (5 TON)

FORK OPENINGS: 6 5/16" W x 3 1/2" H

MAX FORK WIDTH 20 9/16"

OVERALL LENGTH: 23"

BODY HEIGHT: 8 5/8"

STRAP LENGTH: SAFETY RETAINING STRAP 48" LONG

EFFECTIVE THICKNESS: ADJUSTABLE

