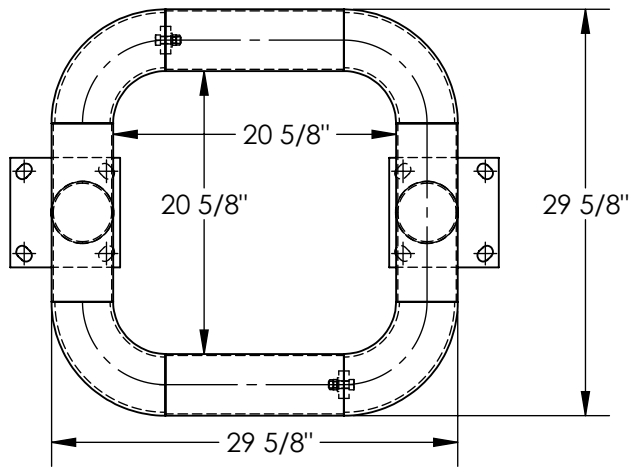
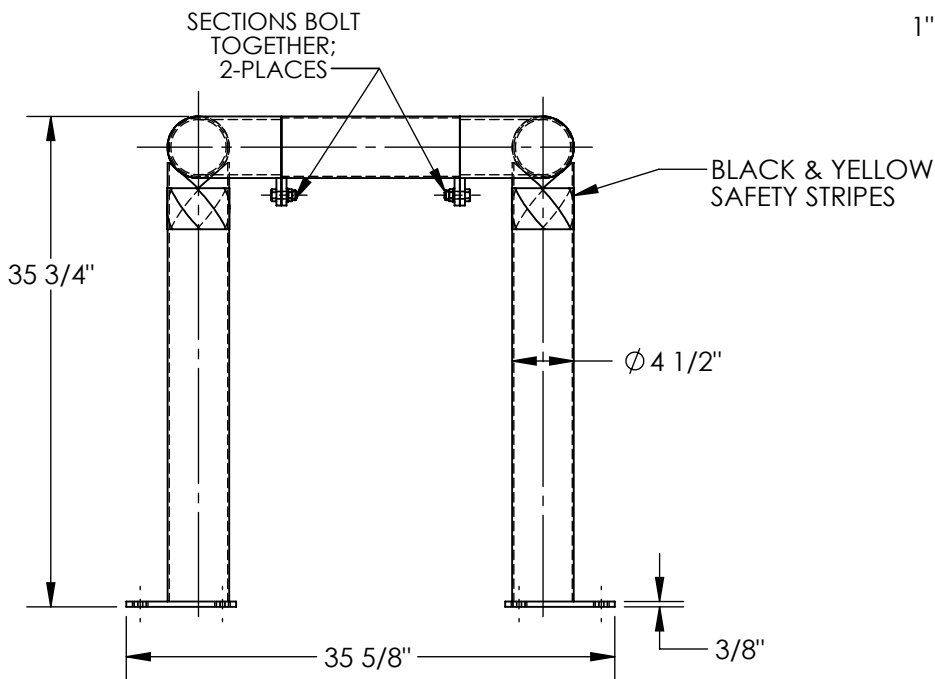
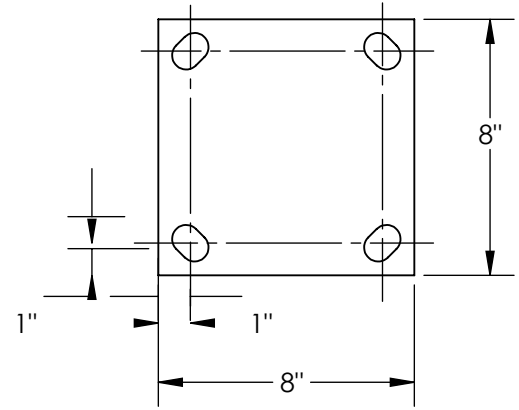


# Column Guards Technical Drawings

## SMS-07-V46-CGP



MOUNTING PLATE  
DETAIL, SCALE 1:6

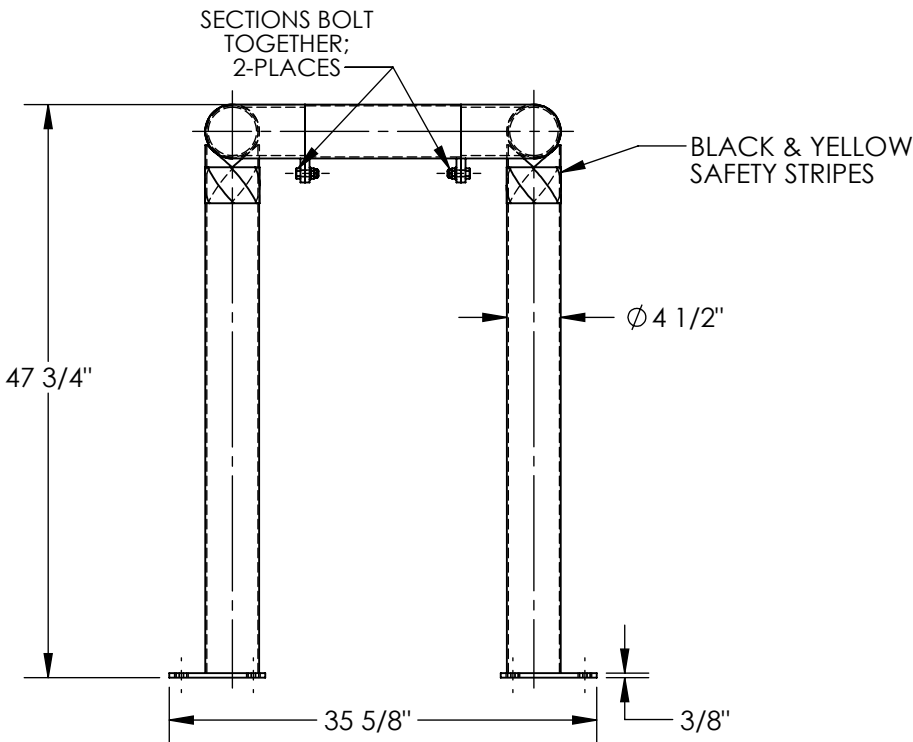
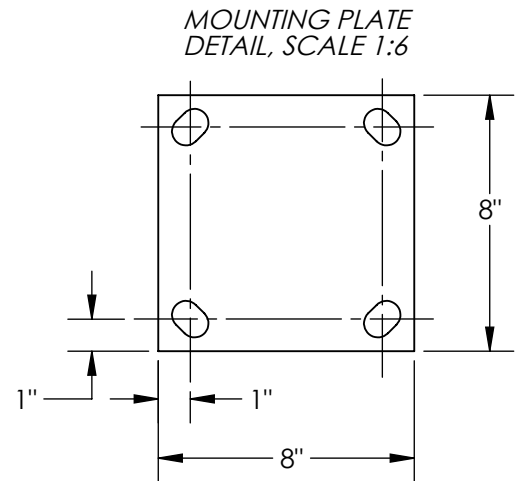
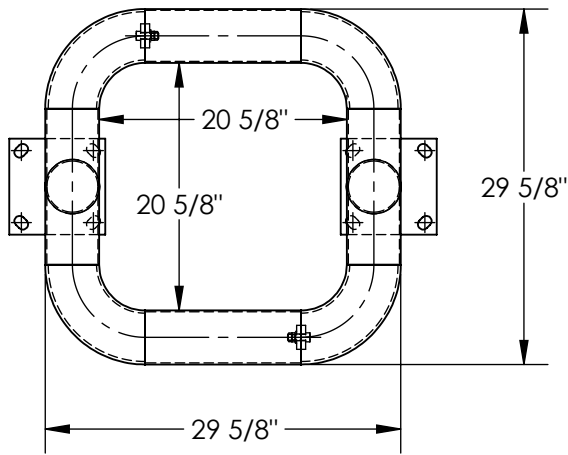


### STANDARD FEATURES

MODEL NUMBER IS SMS-07-V46-CGP-36  
HEIGHT: 35 3/4"  
LENGTH: 35 5/8"  
DEPTH: 29 5/8"  
INNER WIDTH: 20 5/8"  
INNER LENGTH: 20 5/8"  
GUARD DIAMETER: Ø4 1/2"  
8"W x 8"L BASEPLATE  
TOUGH BAKED IN POWDER  
COATED YELLOW FINISH  
BLACK AND YELLOW SAFETY STRIPES ALL  
STEEL CONSTRUCTION  
(ASTM A-36 MIN.) WITH

WELDING TO MEET AWS  
WARNING: CHECK APPLICABLE STATE  
& LOCAL LAWS FOR YOUR AREA





**STANDARD FEATURES**

- MODEL NUMBER SMS-07-V46-CGP-48
- HEIGHT: 47 3/4"
- LENGTH: 35 5/8"
- DEPTH: 29 5/8"
- INNER WIDTH: 20 5/8"
- INNER LENGTH: 20 5/8"
- GUARD DIAMETER: Ø4 1/2"
- 8"W x 8"L BASEPLATE
- TOUGH BAKED IN POWDER COATED YELLOW FINISH
- BLACK AND YELLOW SAFETY STRIPES
- ALL STEEL CONSTRUCTION

(ASTM A-36 MIN.) WITH WELDING TO MEET AWS  
 WARNING: CHECK APPLICABLE STATE & LOCAL LAWS FOR YOUR AREA

