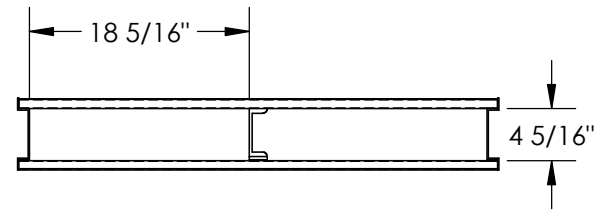
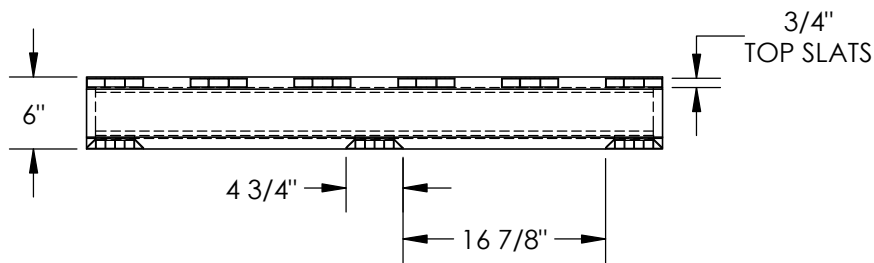
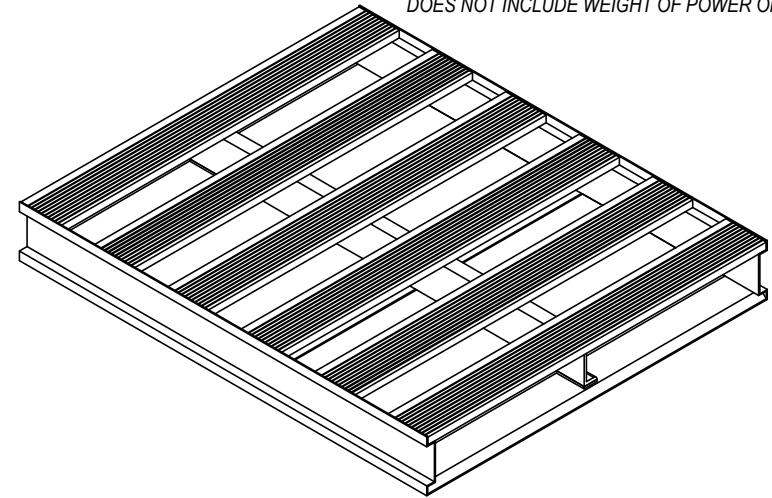
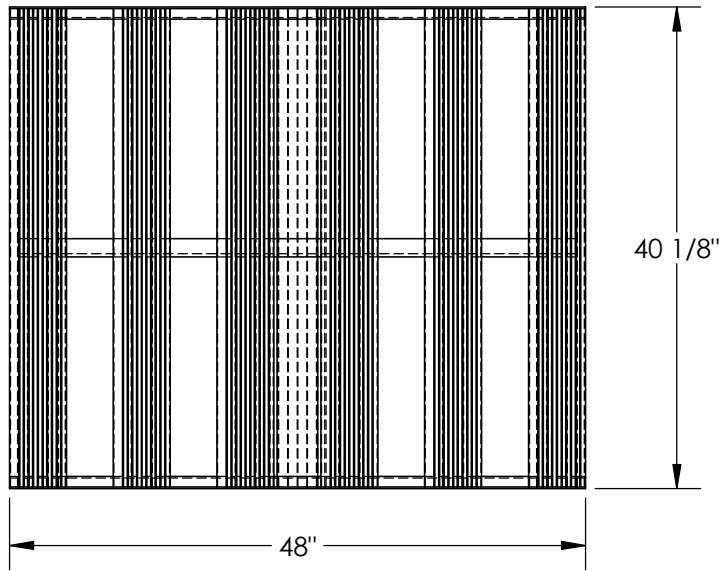


Aluminum Pallets Technical Drawings

SMS-09-V46-AP-4048

APPROX WEIGHT: 42.89 lbs.
DOES NOT INCLUDE WEIGHT OF PAPER OR PACKAGING



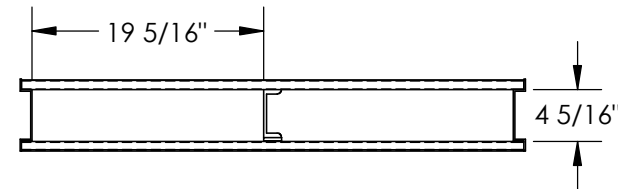
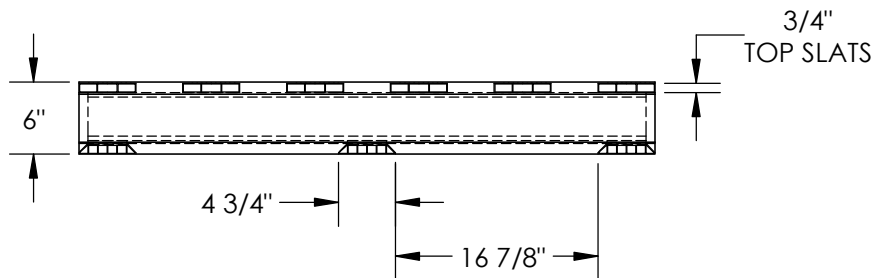
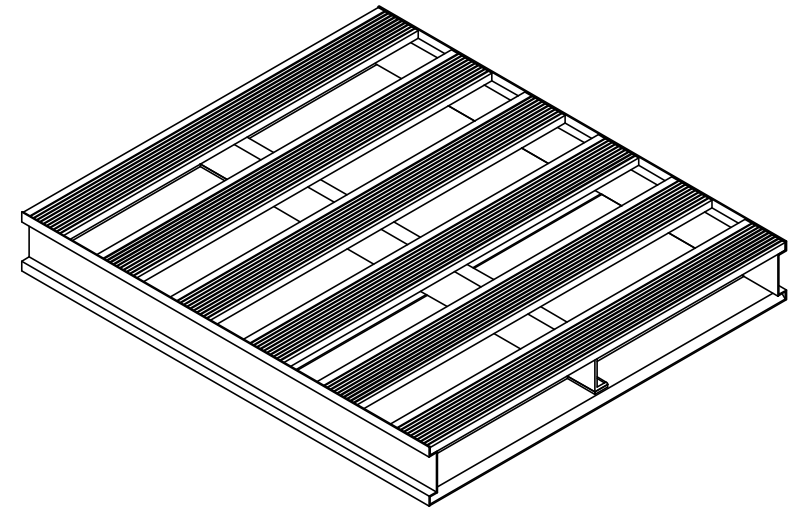
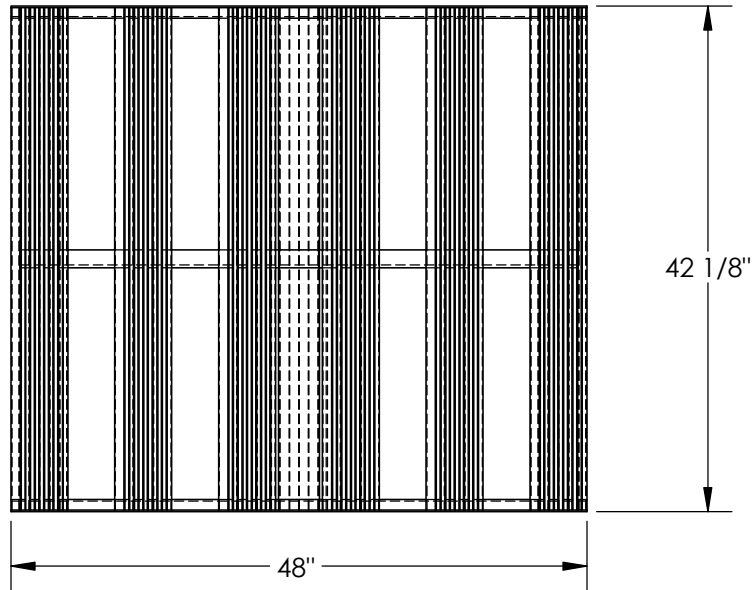
STANDARD FEATURES

- OVERALL WIDTH IS 40 1/8"
- OVERALL LENGTH IS 48"
- OVERALL HEIGHT IS 6"
- THICKNESS OF TOP SLAT IS 3/4"
- FLOOR (STATIC) CAPACITY: 6,000 LBS
- FORK (DYNAMIC) CAPACITY: 4,000 LBS
- UNSUPPORTED PALLET RACK CAPACITY: 6,000 LBS
- FORK OPENINGS: 18 5/16"W x 4 5/16"H



SMS-09-V46-AP-4248

APPROX WEIGHT: 44.16 lbs.
DOES NOT INCLUDE WEIGHT OF POWER OR PACKAGING



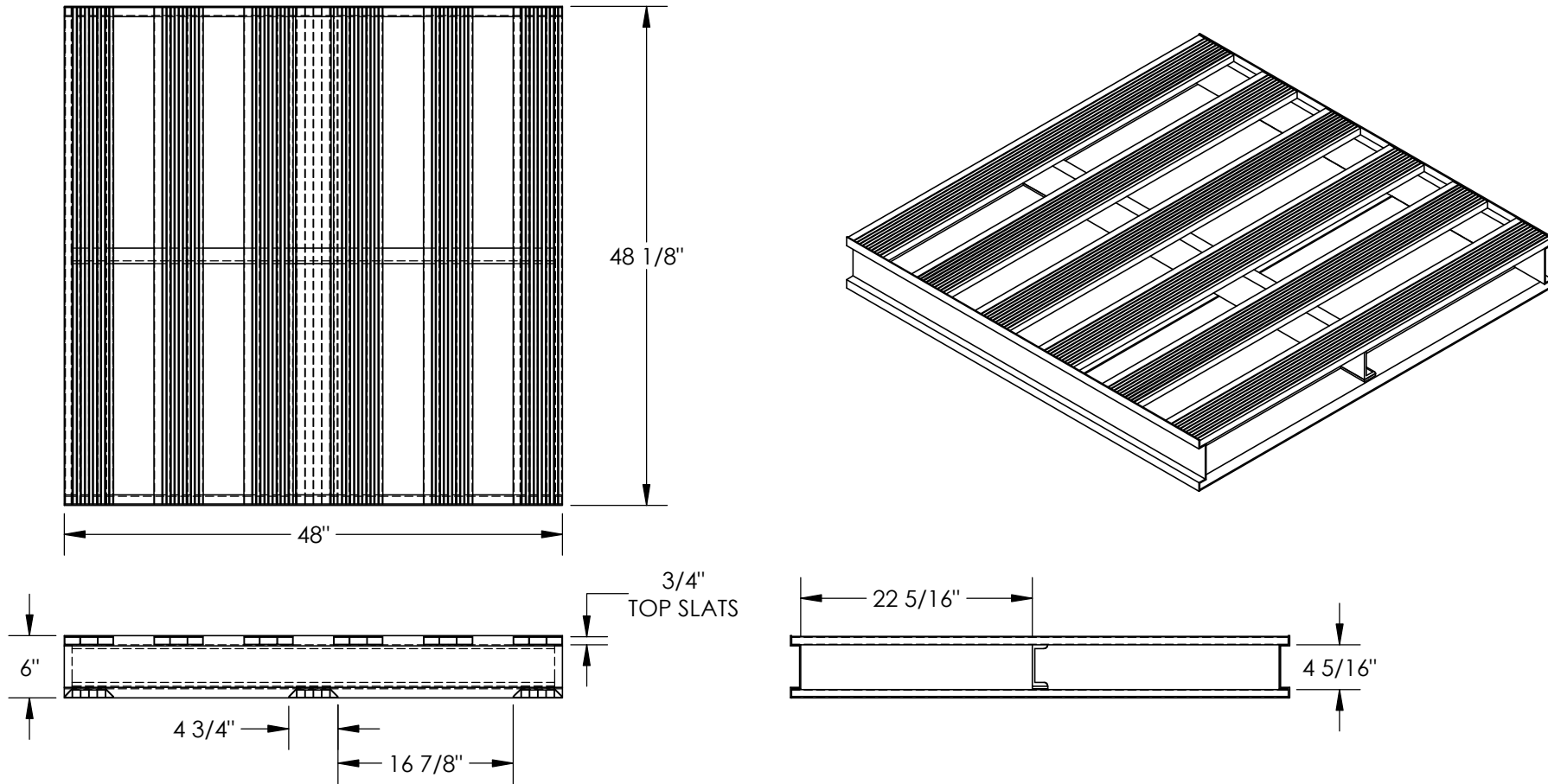
STANDARD FEATURES

OVERALL WIDTH IS 42 1/8"
OVERALL LENGTH IS 48"
OVERALL HEIGHT IS 6"
THICKNESS OF TOP SLAT IS 3/4"
FLOOR (STATIC) CAPACITY: 6,000 LBS
FORK (DYNAMIC) CAPACITY: 4,000 LBS
UNSUPPORTED PALLET RACK CAPACITY: 6,000 LBS
FORK OPENINGS: 19 5/16"W x 4 5/16"H



SMS-09-V46-AP-4848

APPROX WEIGHT: 47.97 lbs.
DOES NOT INCLUDE WEIGHT OF POWER OR PACKAGING



STANDARD FEATURES

- OVERALL WIDTH IS $48\frac{1}{8}$ "
- OVERALL LENGTH IS 48"
- OVERALL HEIGHT IS 6"
- THICKNESS OF TOP SLAT IS $\frac{3}{4}$ "
- FLOOR (STATIC) CAPACITY: 6,000 LBS
- FORK (DYNAMIC) CAPACITY: 4,000 LBS
- UNSUPPORTED PALLET RACK CAPACITY: 6,000 LBS
- FORK OPENINGS: $22\frac{5}{16}$ "W x $4\frac{5}{16}$ "H

