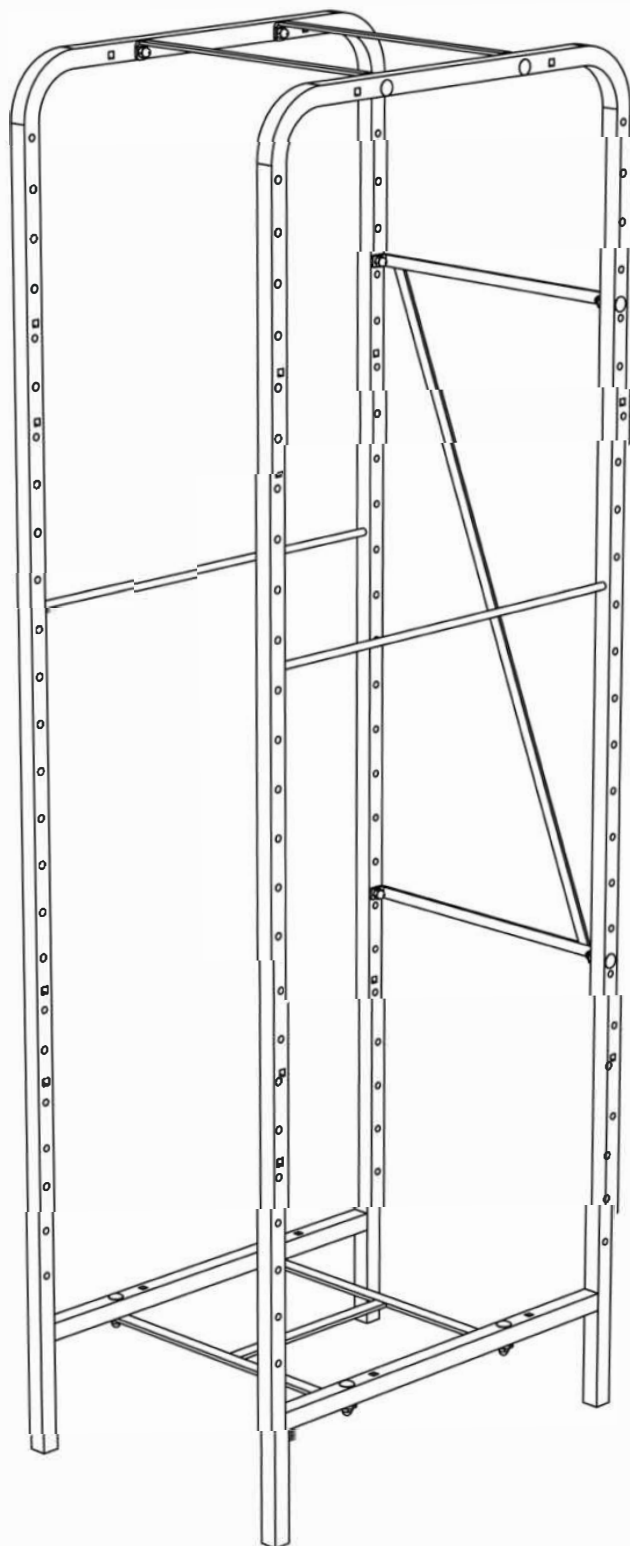
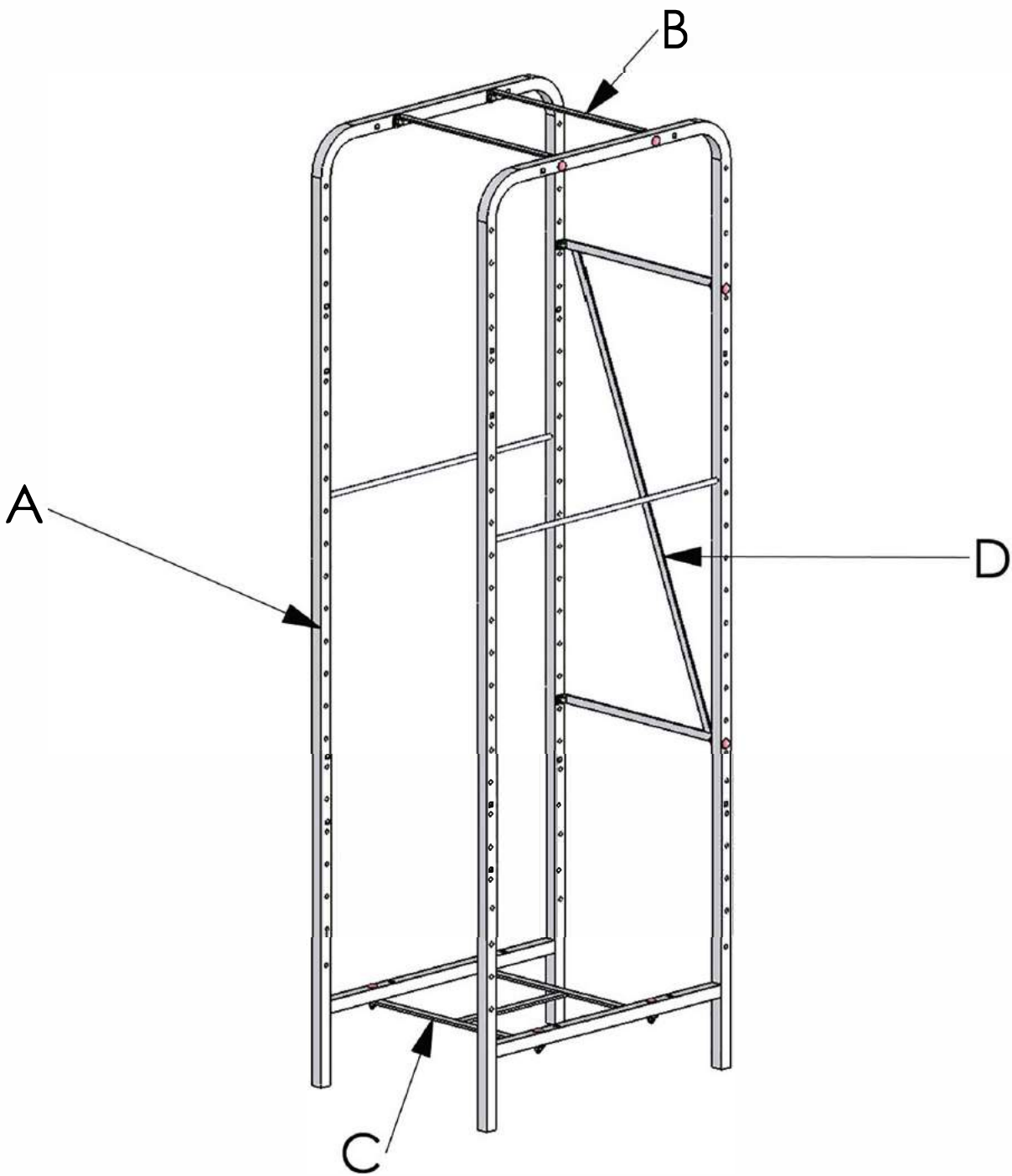


# Surgical Instrument Rack Assembly Guide

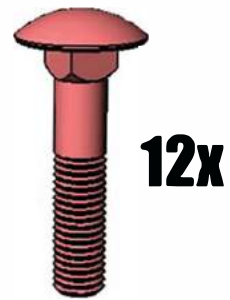
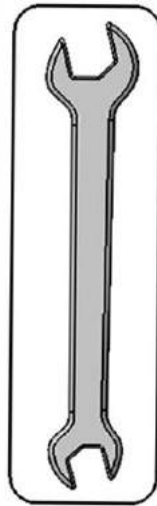
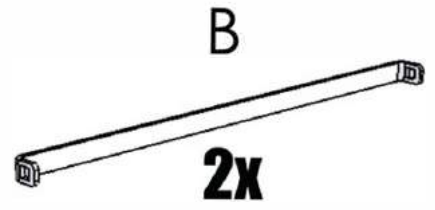
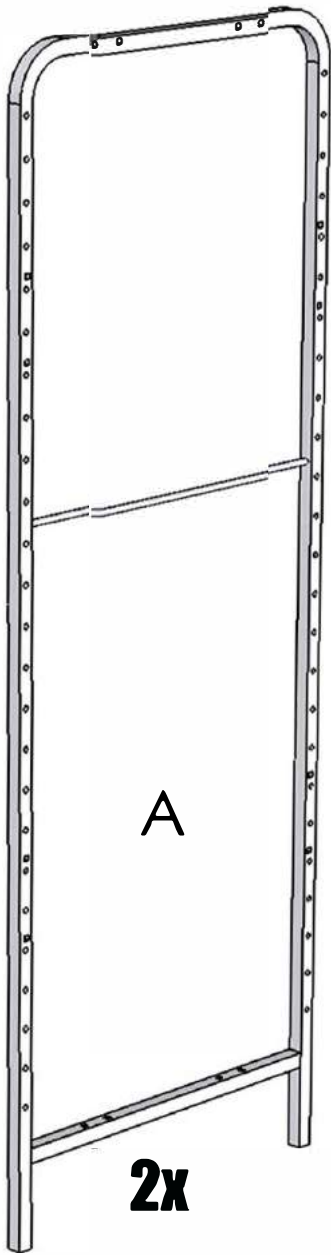
## SMS-08-V59-NT-RKU



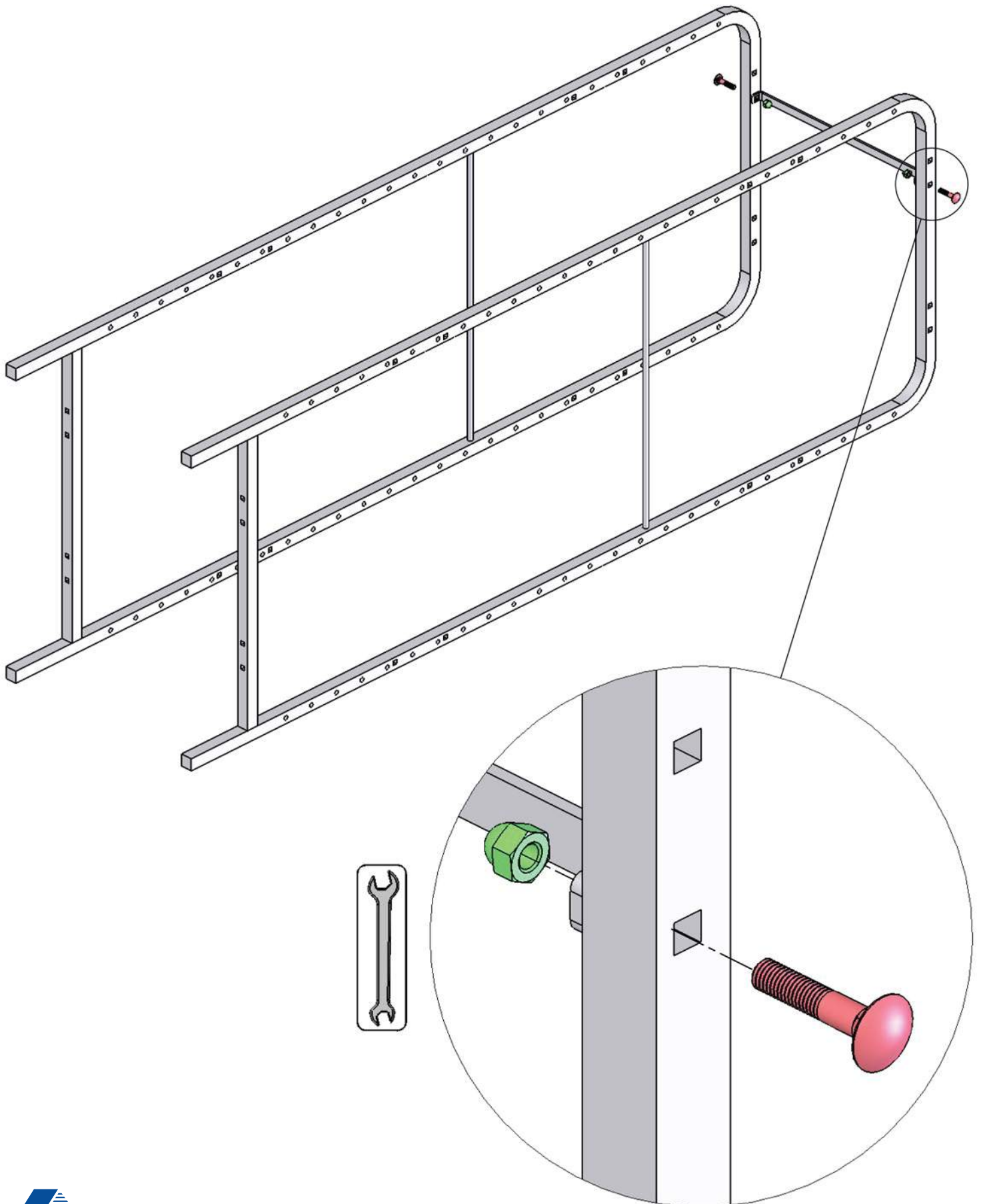


	PART	Default/ QTY.
A	Frame	2
B	Top Connector	2
C	Base Connector	2
D	Back Reinforcement	1

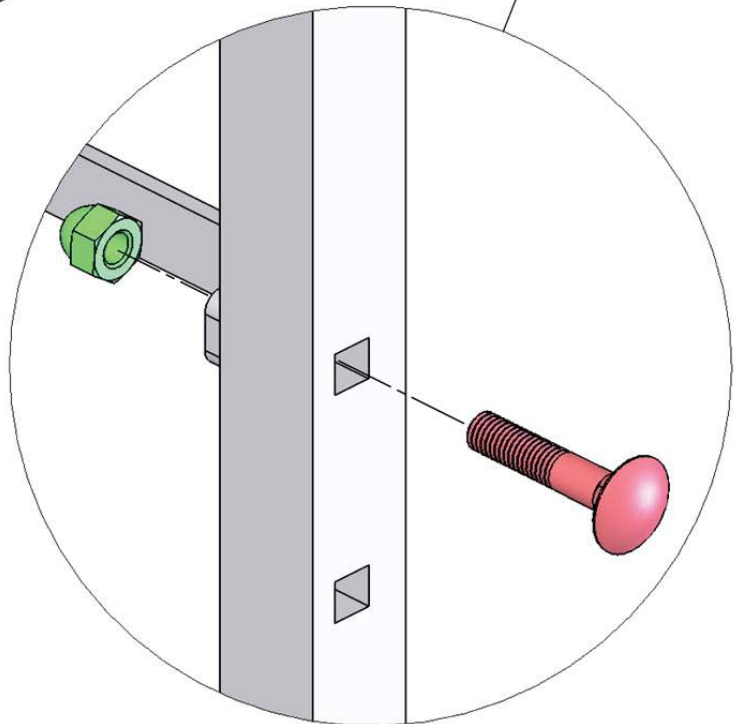
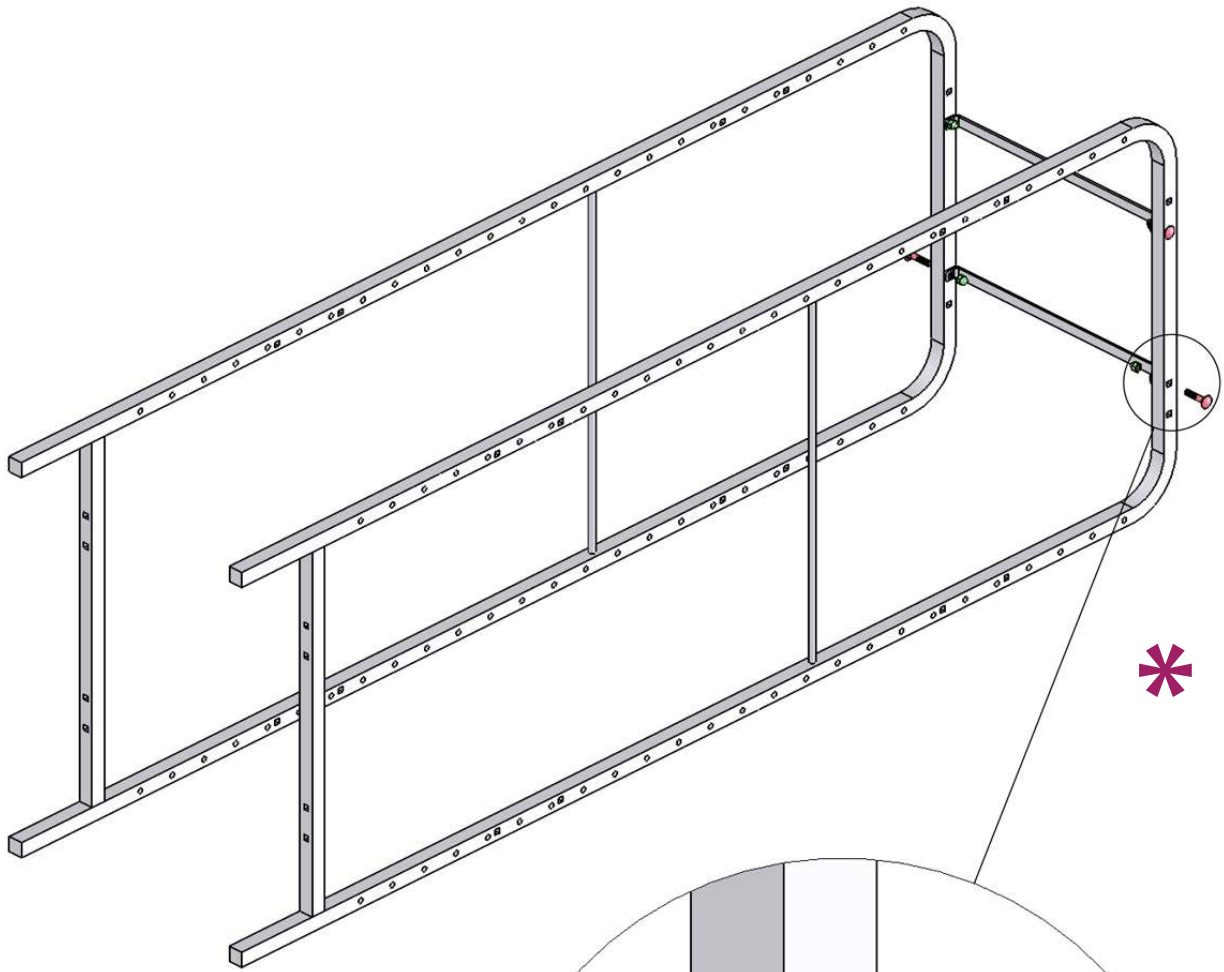




# 1 Single Rack assembly



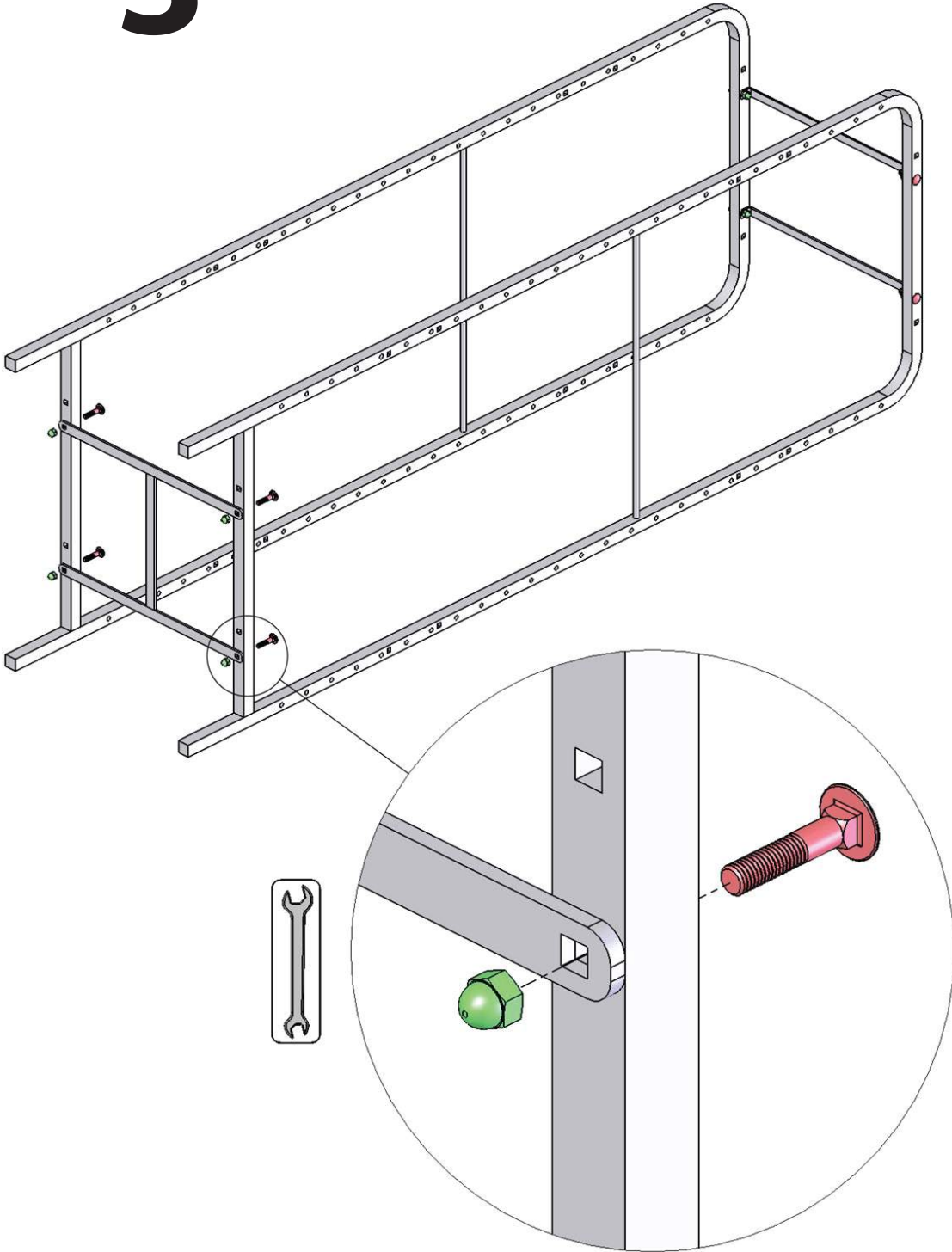
# 2



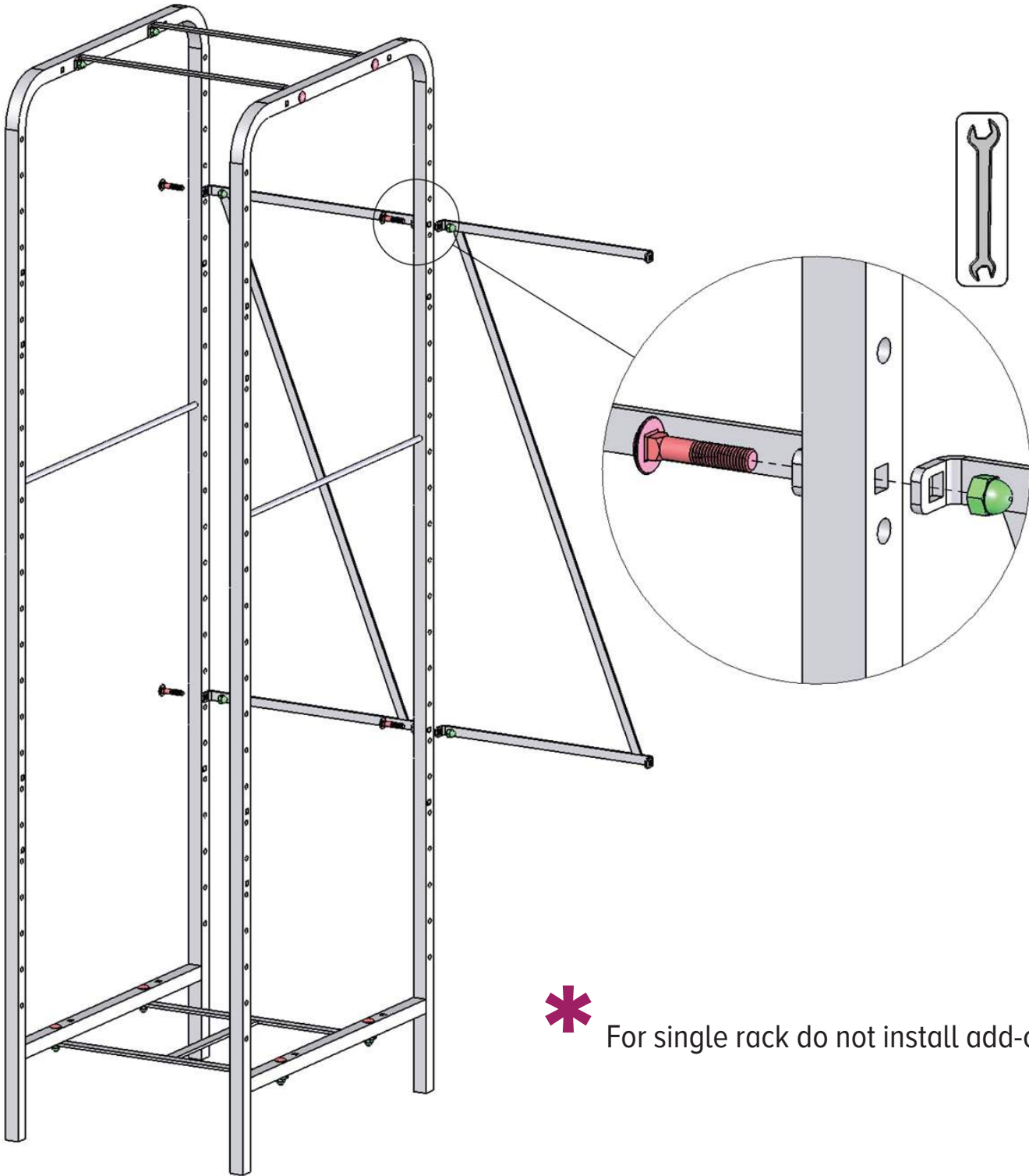
\* For multiple rack assembly do not tighten screws at this side



# 3



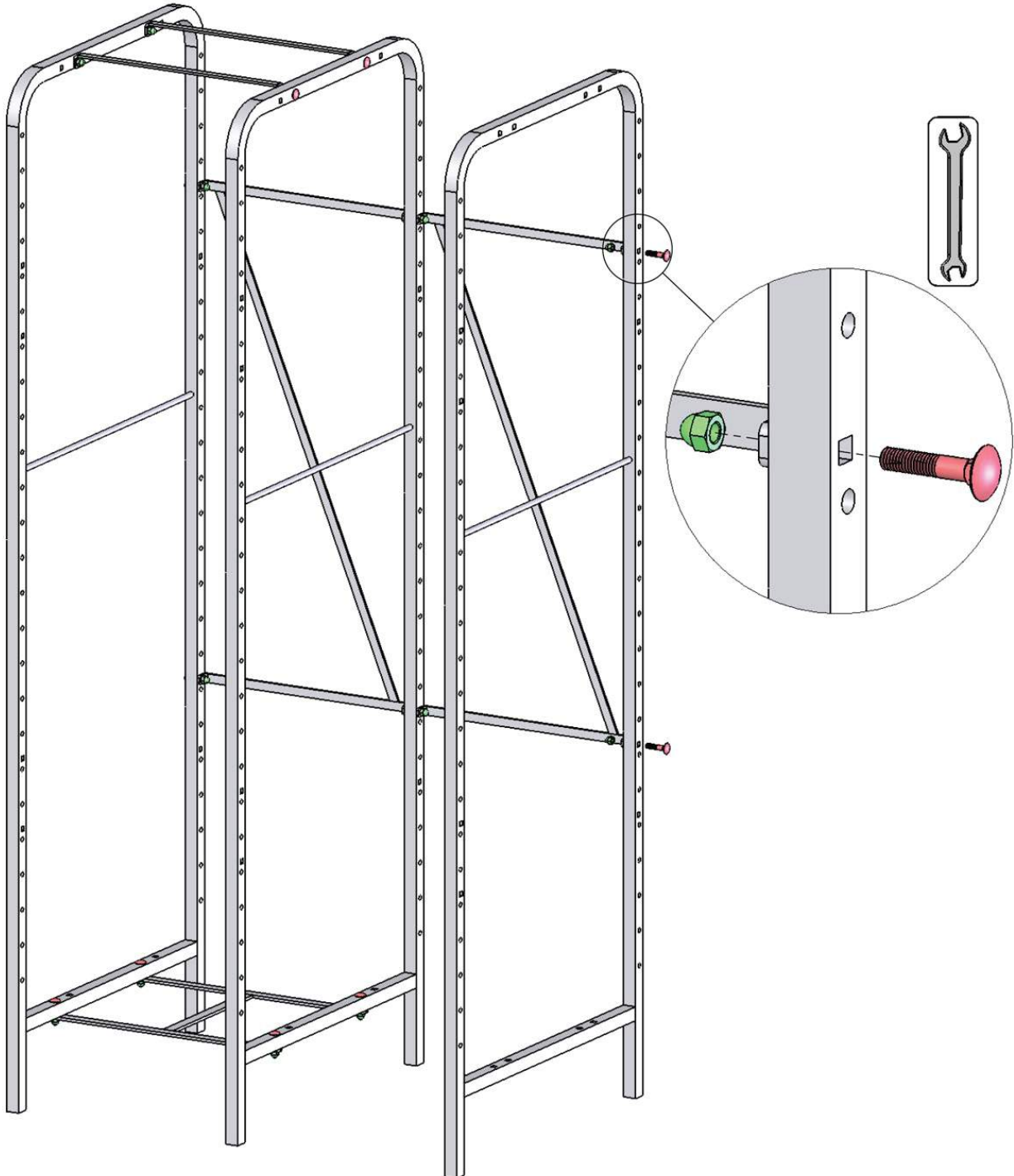
# 4 Multiple Rack assembly\*



\* For single rack do not install add-on kit

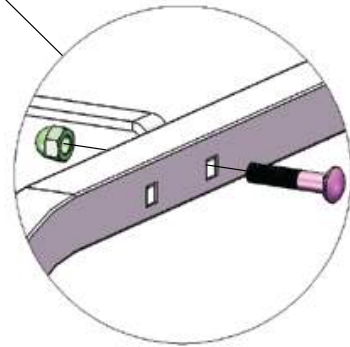
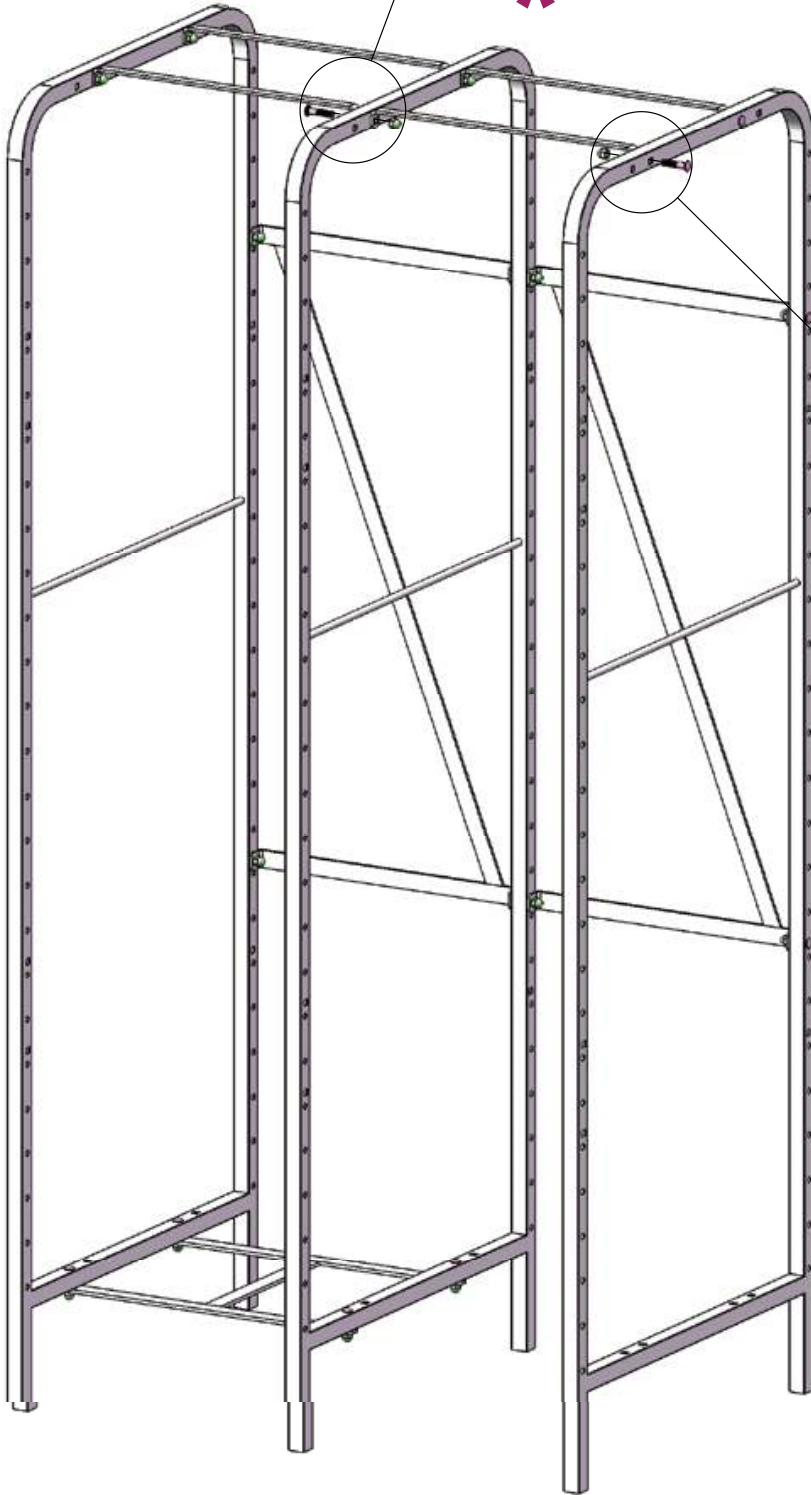
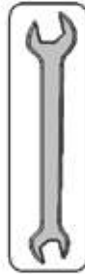
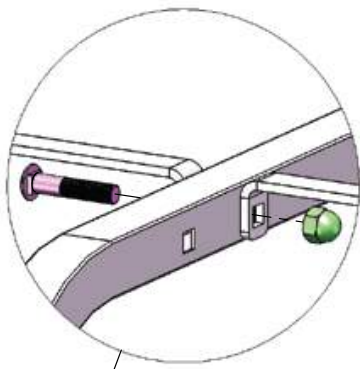


# 5 Rack add-on assembly





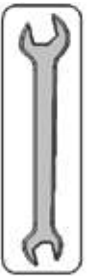
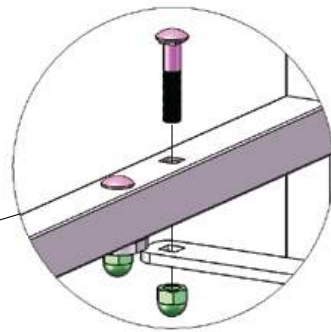
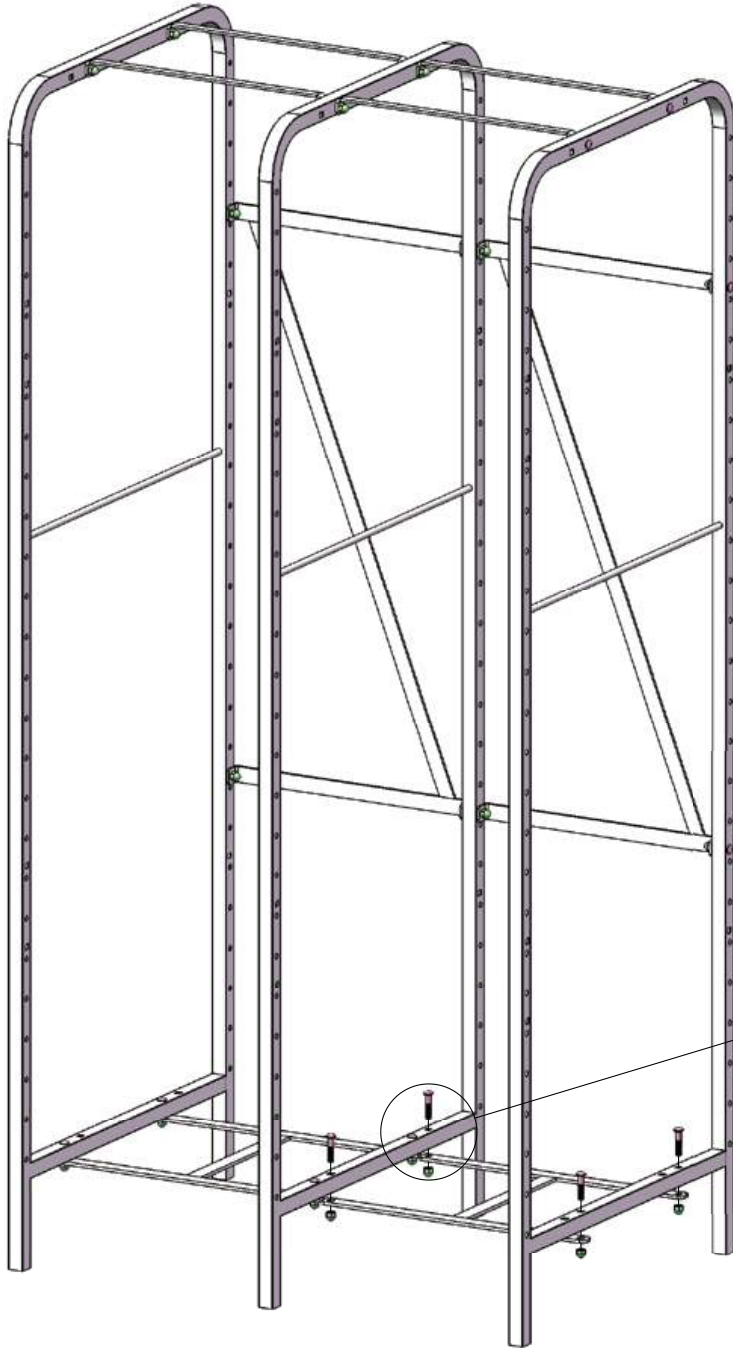
# 6



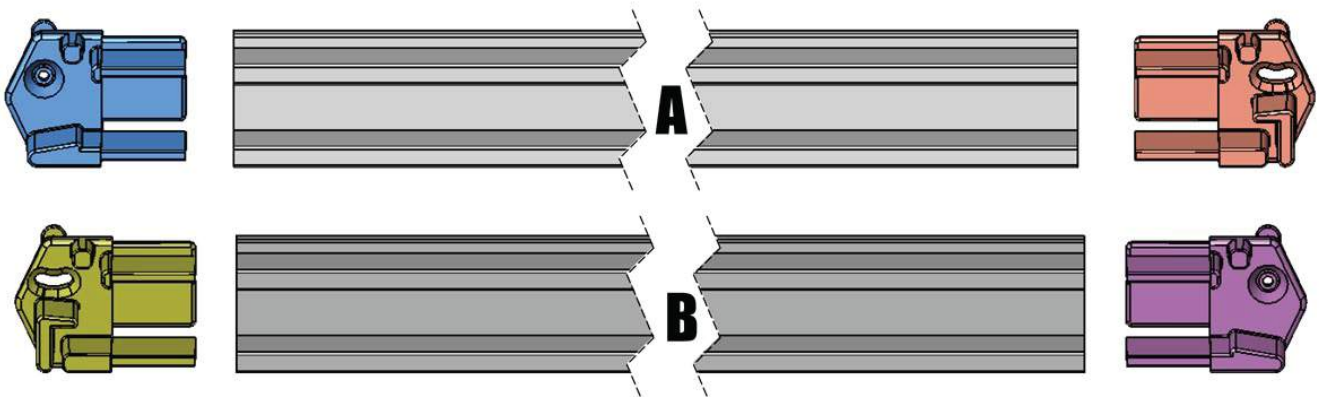
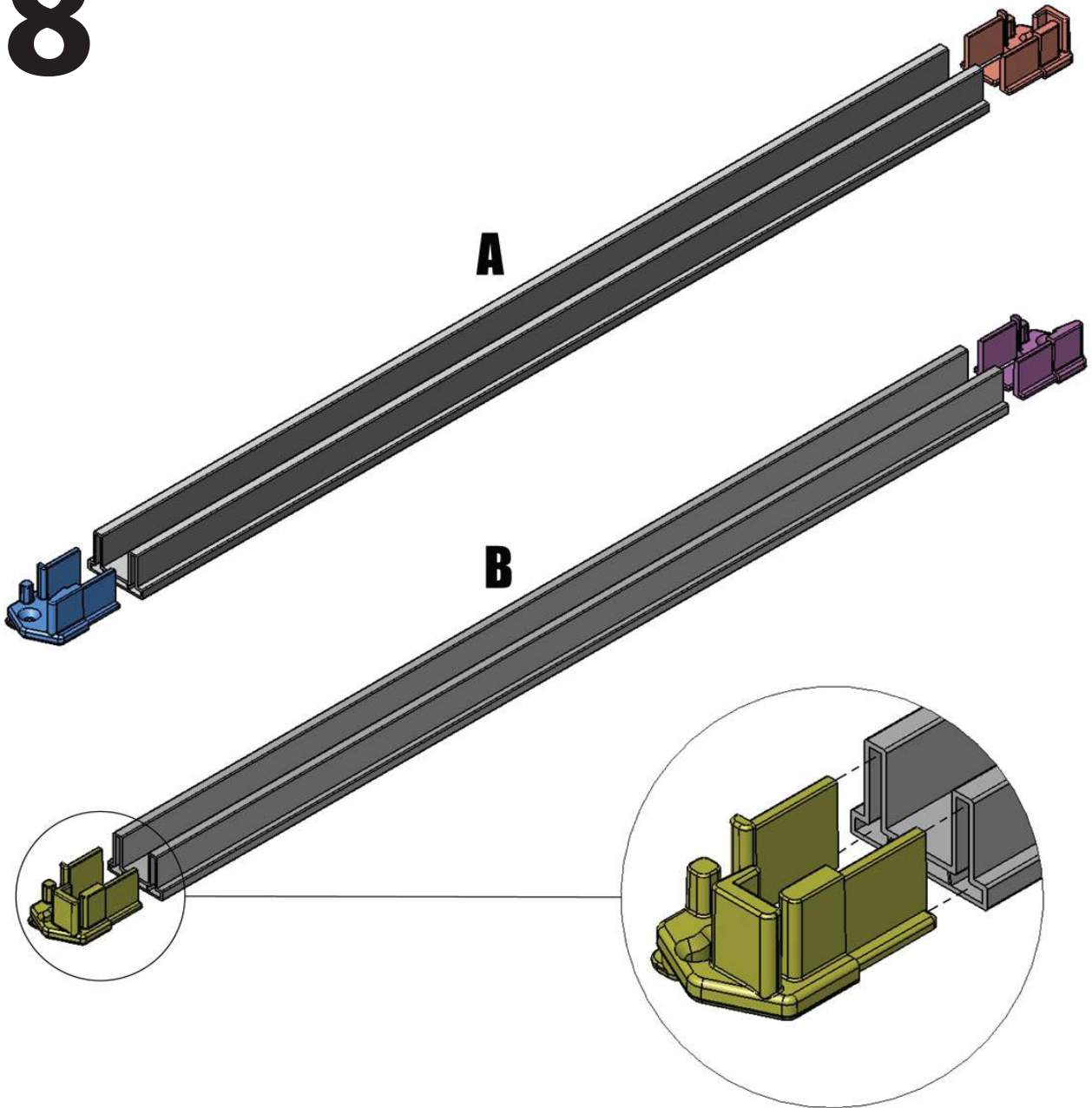
Tighten all screws once all add-on kits are installed



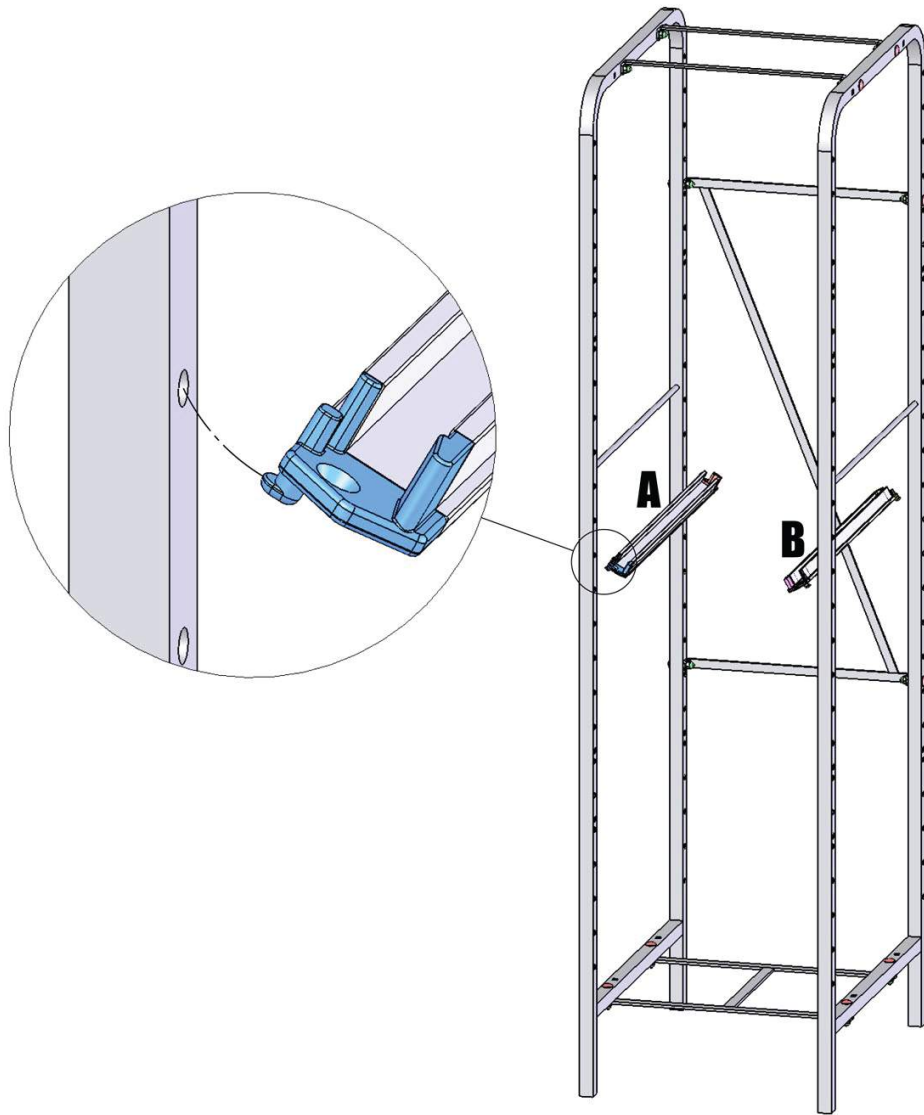
# 7



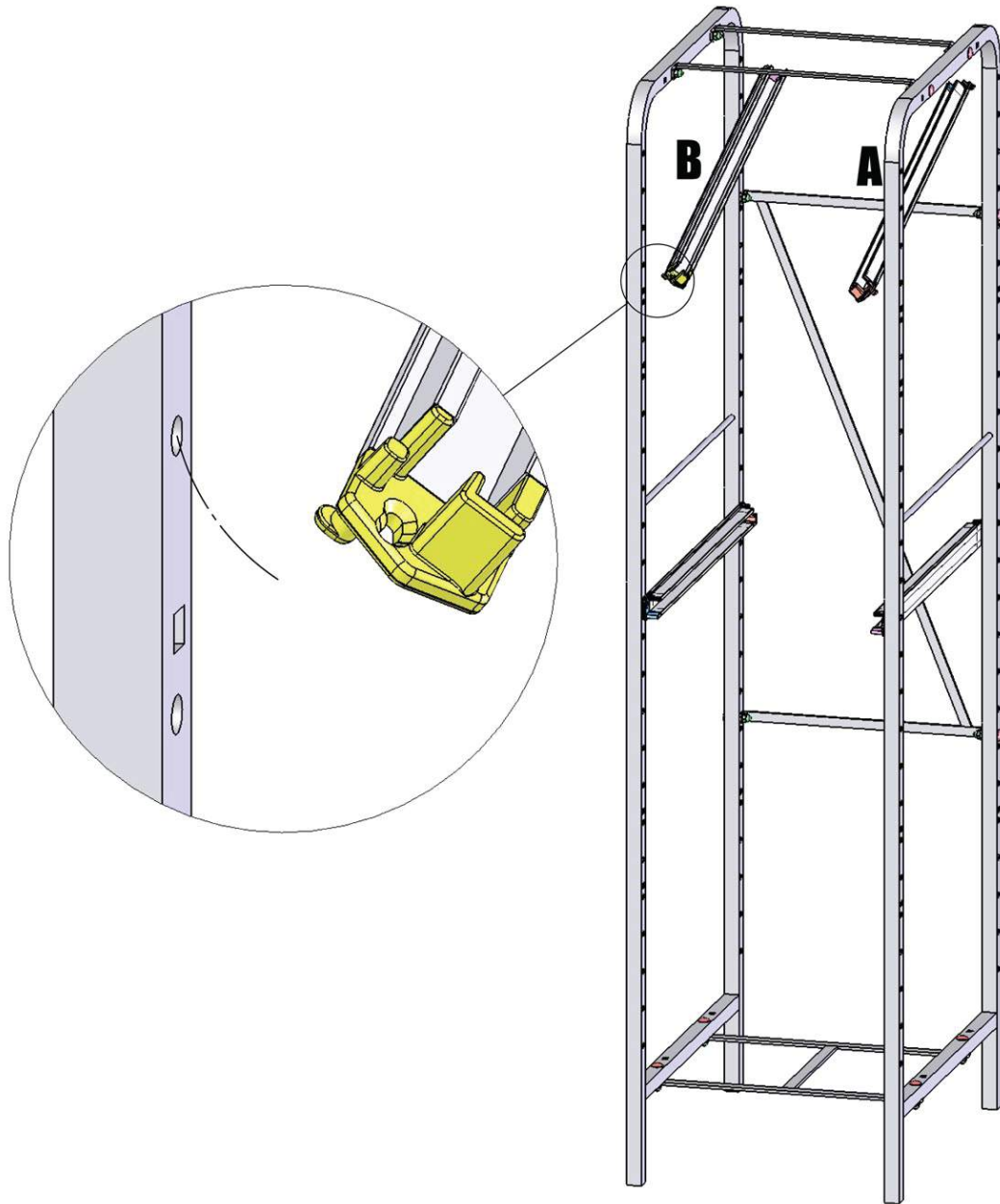
# 8



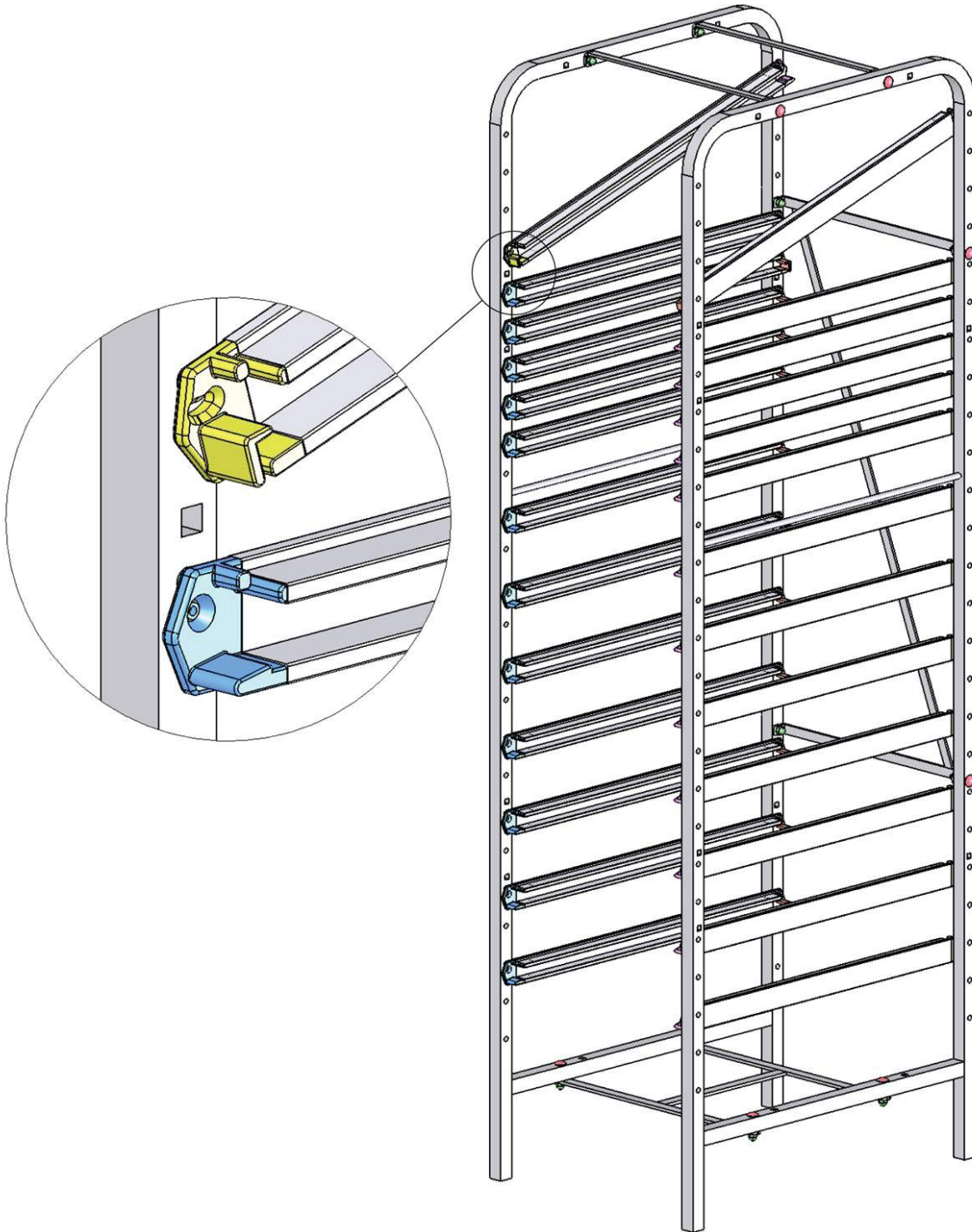
# 9



# 10



# 11



# 12

