

Pigeon Hole Shelving Assembly Guide

SMS-08-V39-HDB

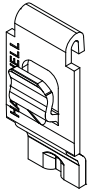
General Instructions

1. Check material received against the packing list. Check the number of packages received and then check the contents of each package.
2. Check the material received for damage. If damage has occurred, secure a “damage notation” from the carrier
3. Identify each part as it is unpacked and put like parts together as close as possible to the working area where they are to be assembled.
4. Be careful to use the correct hardware as specified in the assembly instructions.

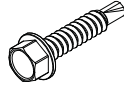
CAUTION

In the interest of safety, all lockers must be securely anchored to the floor and/or wall. For safety, handle all components carefully and wear work gloves when assembling lockers. Install all units plumb and tighten all hardware securely. Retain instructions for future reference.





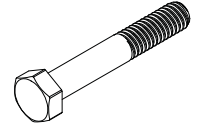
5133
SHELF CLIP



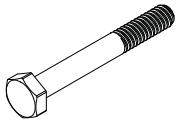
SMS111
TEK SCREW



MS112
HEX HEAD SCREW



MS111
HEX HEAD SCREW



5010A
HEX HEAD SCREW



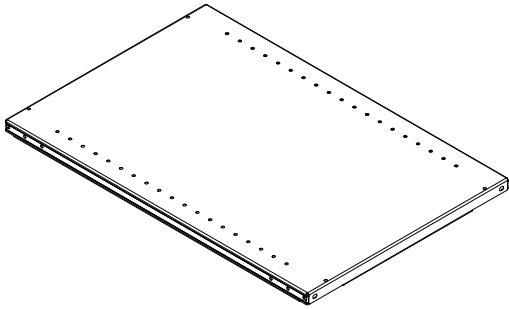
MS103
PHILLIPS HEAD SCREW



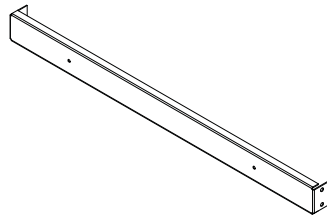
N111
LOCK NUT



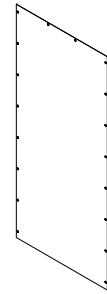
N107
NUT



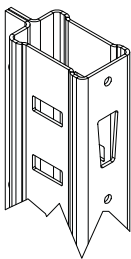
5138-3624
SHELF



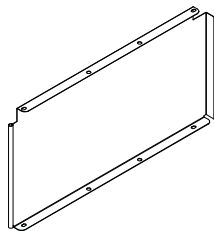
5036
STABILIZER BEAM



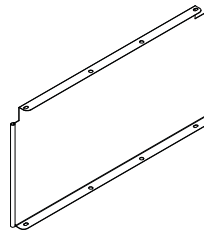
5097-2444-18
SIDE PANEL



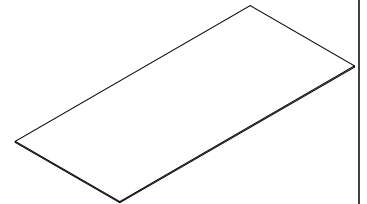
5003-7
H-POST



5420-ddhh
DIVIDER

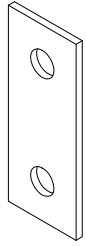


5420-ddhht
DIVIDER

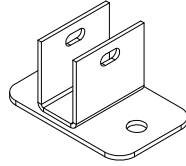


PW3687
PLYWOOD





SW5010-2
WASHER

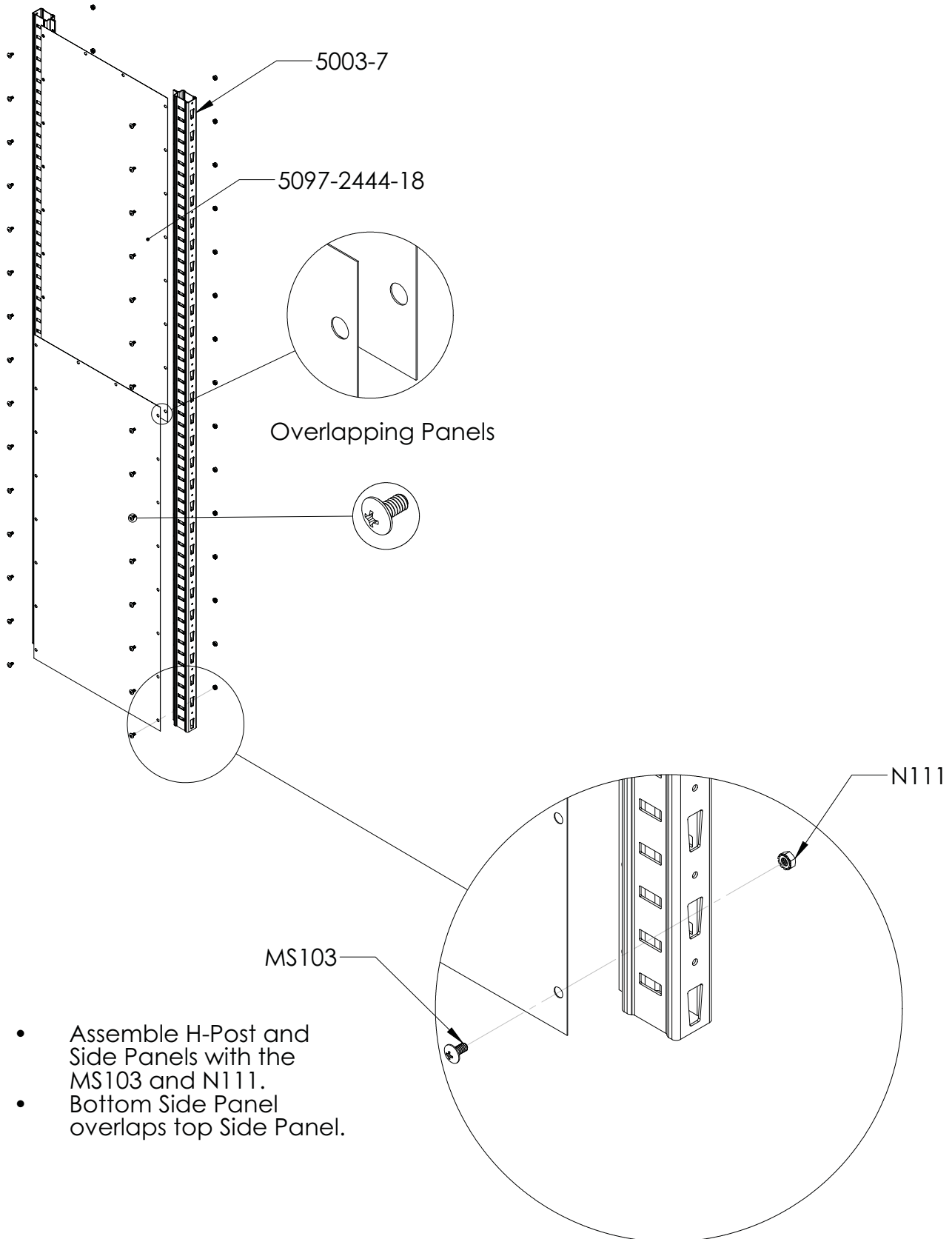


5025
FOOT PLATE

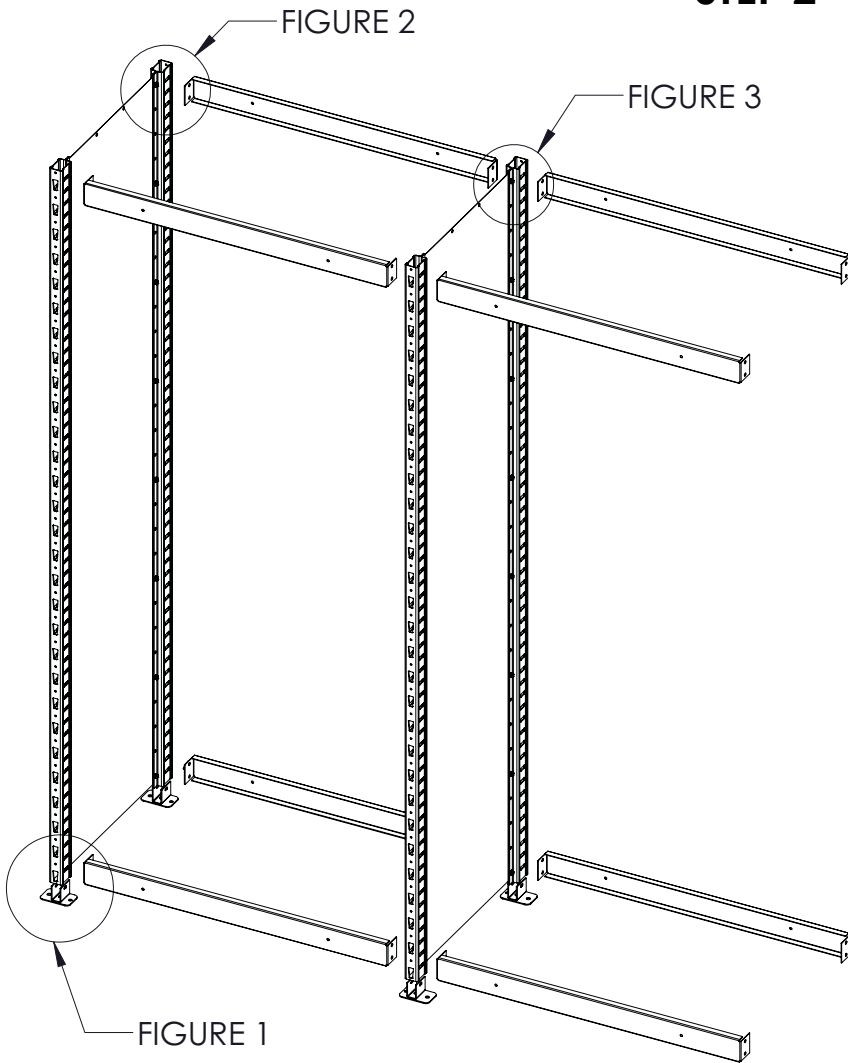


NOTE: ALWAYS USE 2 OR MORE PEOPLE TO ASSEMBLE THE BIN UNITS.

STEP 1



STEP 2



- Insert Foot Plate into the bottom of the H-Post with the provided hardware. (Figure 1)
- Assemble Stabilizer Beams onto one set of Side Panels (Figure 2).
 - Add-on units share one set of nuts and bolts per H-Post.
- Attach second set of Side Panels to the Stabilizer Beams.
- For add-on units, attach adjacent Stabilizer Beam with shared hardware (Figure 3) as same time as Side Panel.

NOTE:
PANELS GO INSIDE AT ALL ROW ENDS.

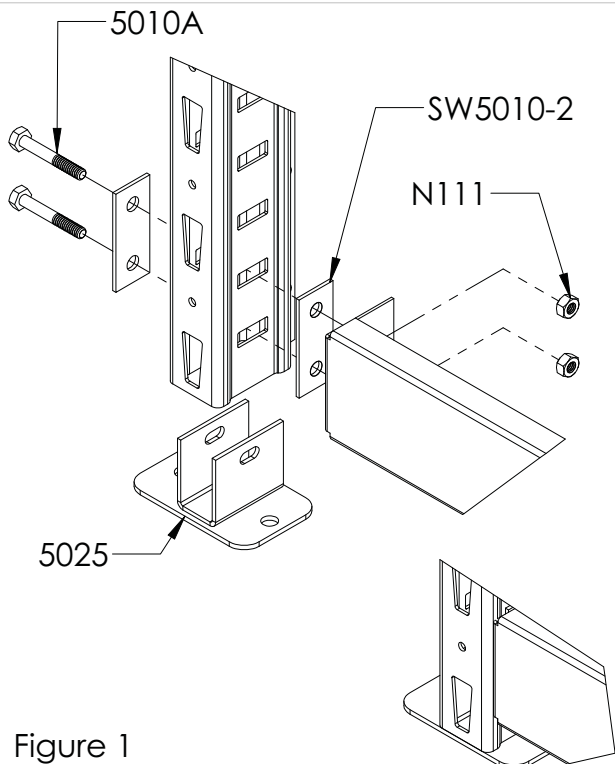


Figure 1

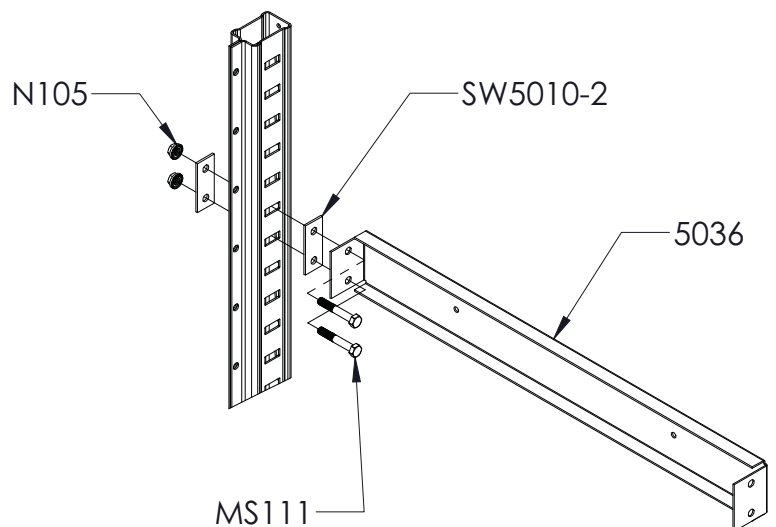


Figure 2



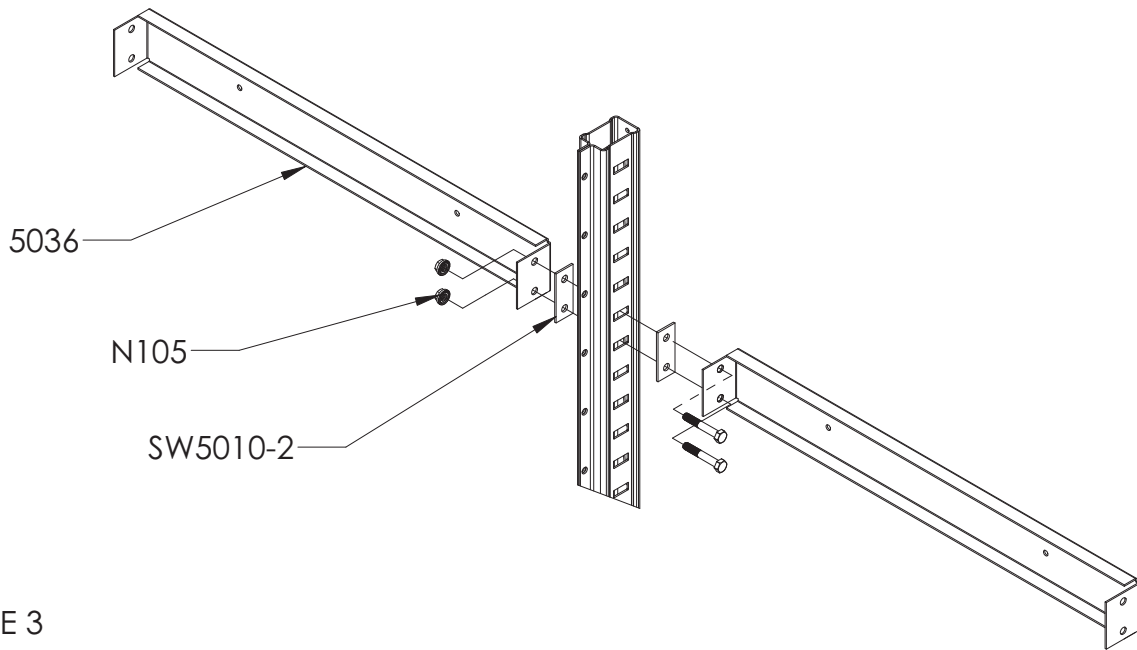
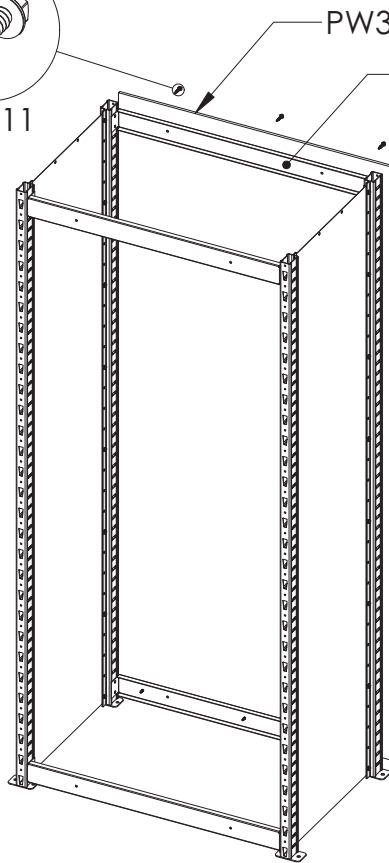


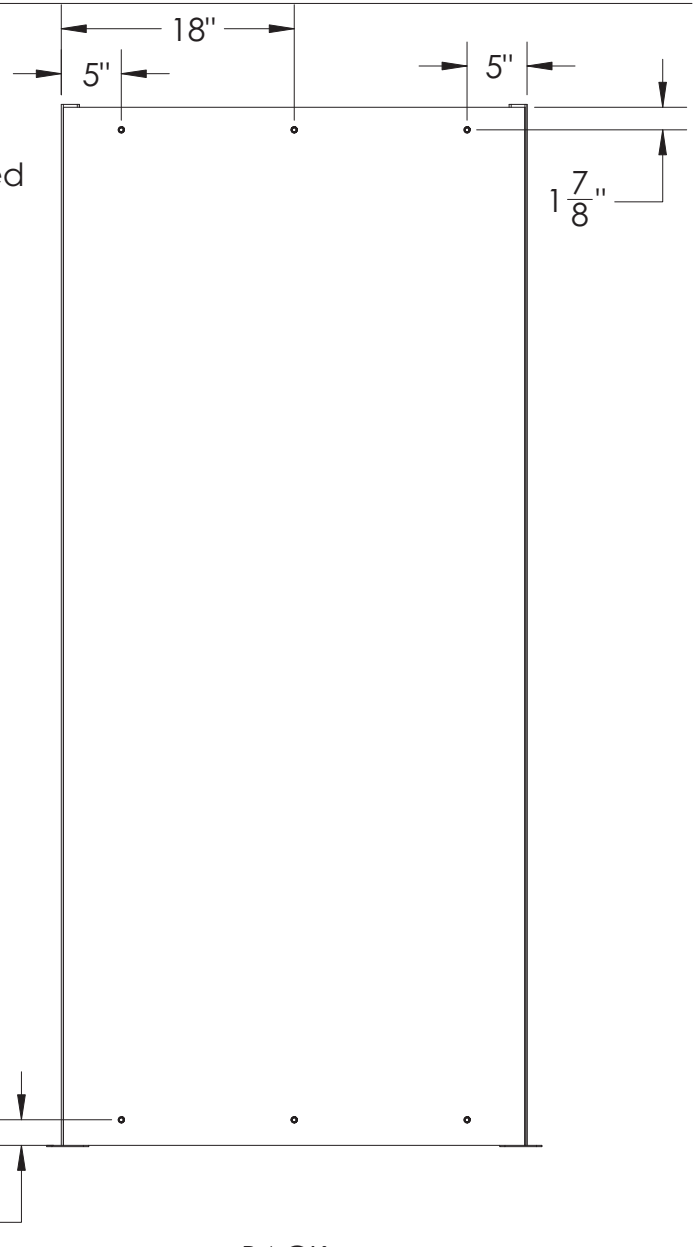
FIGURE 3



STEP 3



PW3687
Back panel bolted to the 5036 stabilizer beam.

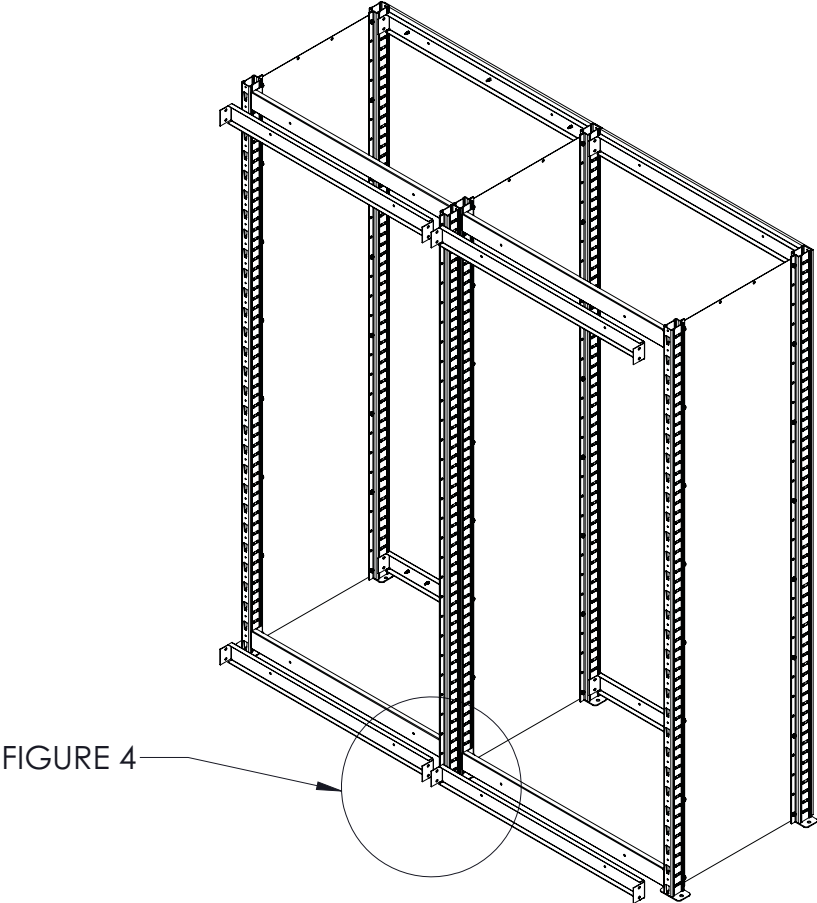


BACK

- Attach Plywood to the back of the unit using the self drilling screws provided.
- Apply by using the dimensions from the drawing.



STEP 4 Attaching Second Unit



- Bolt Stabilizer Beams to standing units.
- Attach assembled Side Panels to Stabilizer Beams as described in step 2.
- Repeat as required to achieve required depth.

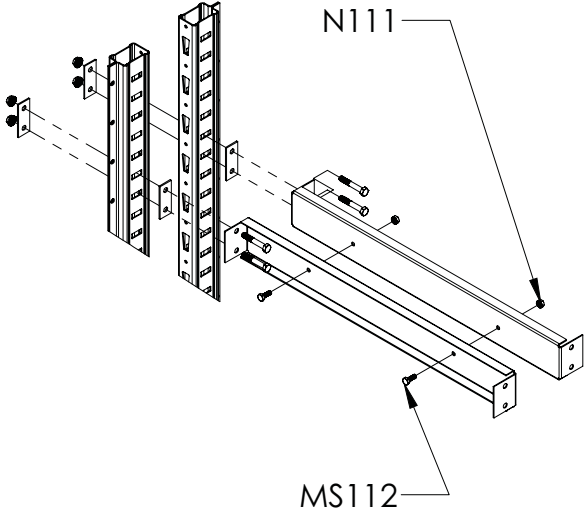
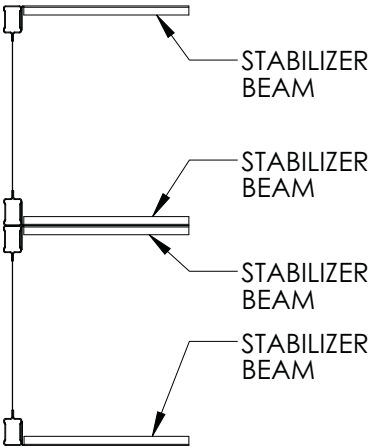
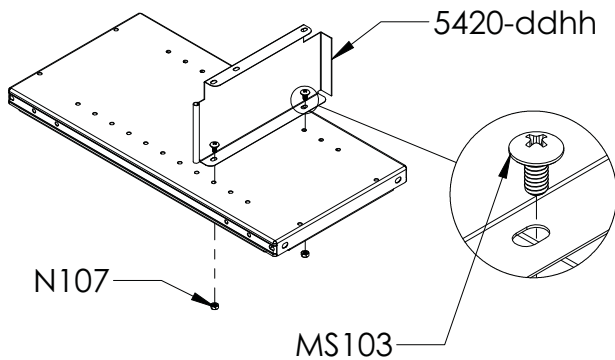


FIGURE 5

FIGURE 4



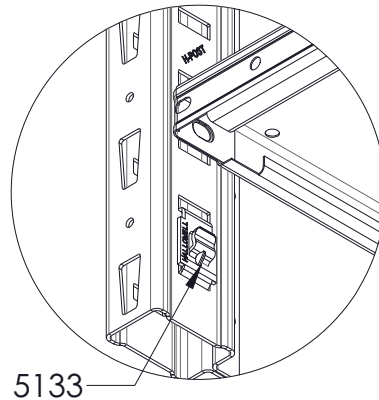
Attaching the Dividers



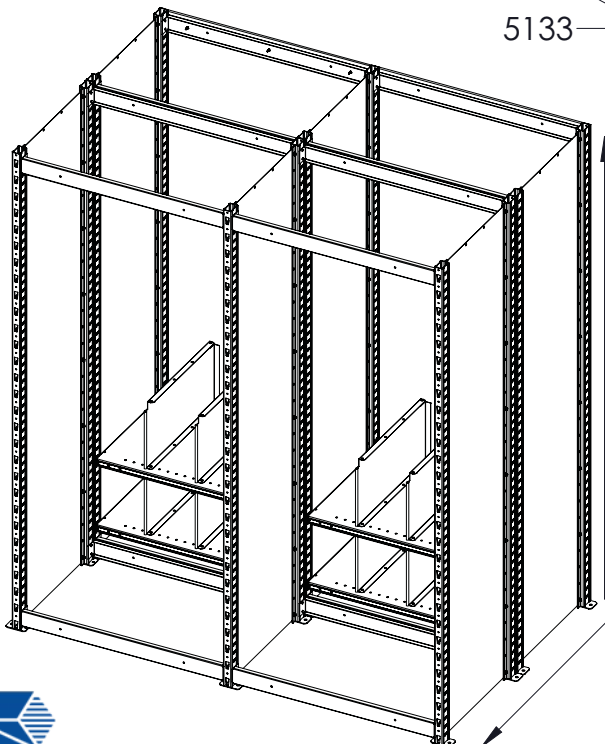
- Select the spacing that is going to be used between the Dividers.
- Bolt the Dividers to the shelves with the head of the bolt always on top.
- Place shelf onto clips at lowest location at the back unit.
- Locate next shelf on top of divider.
- Bolt next row of dividers through the shelf.
- Repeat for the height of the unit.
- Repeat for each section process.
- Dividers that are stacked on top of each other share a common nut and bolt.

Inserting the Shelves

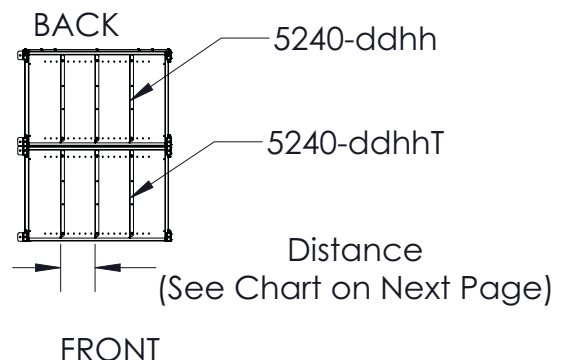
- The Shelves and Dividers will fill up the unit from the bottom up and from the back towards the front.



- Place the Shelf Clip in between two slots of the H-Post at each post (4 clips per Shelf).
- Insert Shelf into clips.

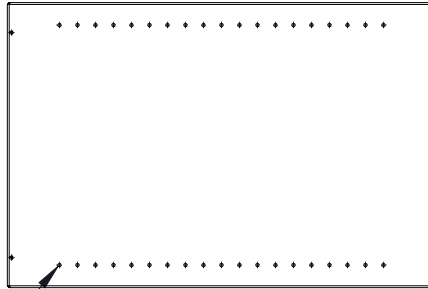


NOTE: DIVIDERS LOCATED AT THE FRONT AND MIDDLE OF THE UNIT ARE PART NUMBER (5420-ddhhT). THIS DIVIDERS DO NOT HAVE A BACK FLANGE. THIS ALLOWS MATERIAL TO SLIDE ALL THE WAY TO BACK OF THE UNIT



Unit Size	Dist. b/w Dividers	# Holes From Edge to First Divider
18 Bin Unit	12"	4
28 Bin Unit	9"	3
50 Bin Unit	7.5"	2
96 Bin Unit	4.5"	0

Shelf



Start hole count here.

FINISHED PRODUCT
(May vary depending on model.)

