

# Pass Thru Shelves Assembly Guide

## SMS-39-DT5

### *CAUTION*

**IT IS THE RESPONSIBILITY OF THE PERSON ASSEMBLING THE SHELVING TO PROPERLY INSTALL ALL COMPONENTS AND HARDWARE AS SPECIFIED IN THESE INSTRUCTIONS AND ANY ACCOMPANYING DRAWINGS FOR SPECIFIC INSTALLATION.**

- **INSTALL ALL UNITS PLUMB**
- **TIGHTEN ALL HARDWARE SECURELY**

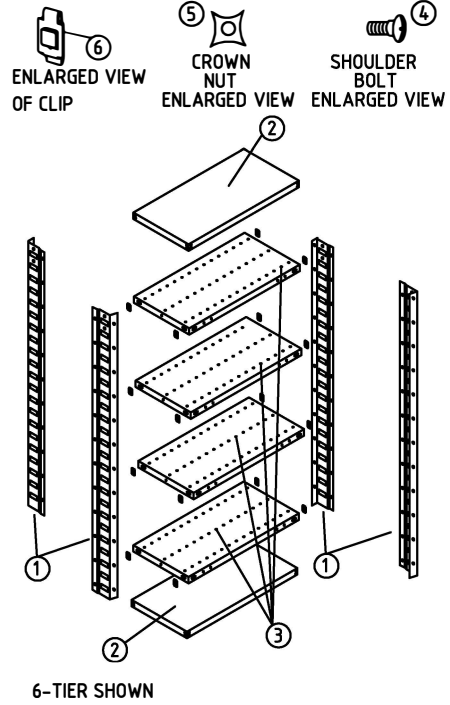
### *GENERAL INSTRUCTIONS*

- 1. These instructions are for the person who will actually supervise the assembly of the equipment covered by your order. -- Please see that they get them --**
- 2. Check material received against the packing list. First check the number of packages received and then check the contents of each package.**
- 3. Check material received for damage. If damaged, secure a "damage notation" from the carrier.**
- 4. Identify each part as it is unpacked and pile like parts together and as close as possible to the working area in which they are to be assembled.**
- 5. Lay out on the floor the space that each rack of shelving is to occupy and build each rack in its proper location.**
- 6. Be careful to use the correct hardware as specified in the assembly instructions.**
- 7. Make sure units are plumb before tightening bolts.**



# PACKAGE CONTENTS

REF. NO.	DESCRIPTION	PART NO.	QUANTITY		
			5 TIER	7 TIER	8 TIER
①	ANGLE BACK POST	5004-hh	4	4	4
②	DURA-TECH SHELF	DTSwwdd	2	2	2
x ③	HEAVY-DUTY BOX SHELF	5138-wddd	3	5	6
④	1/4" x .58 L. SHOULDER BOLT	SB1420	32	32	52
⑤	1/4 x 20 P.M. CROWN NUT	SB1420N	32	32	32
x ⑥	SHELF CLIPS	5133	12	20	24



## PART NO. LEGEND:

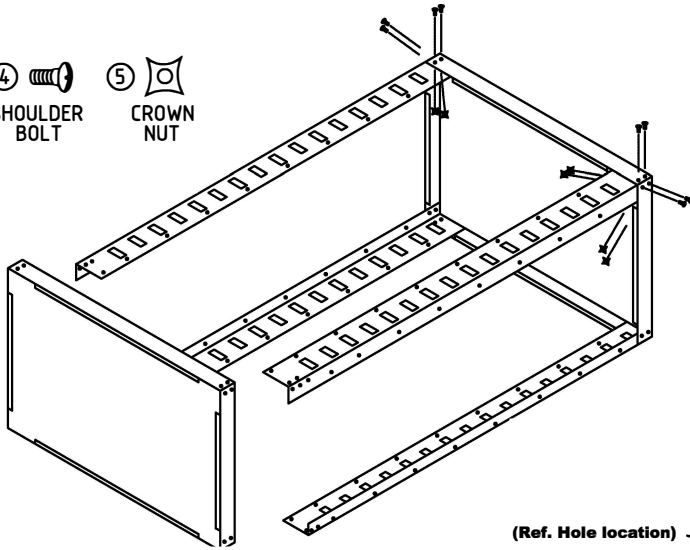
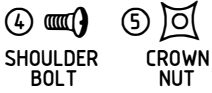
**ww = WIDTH**  
**dd = DEPTH**  
**hh = HEIGHT**

## ONE-YEAR WARRANTY

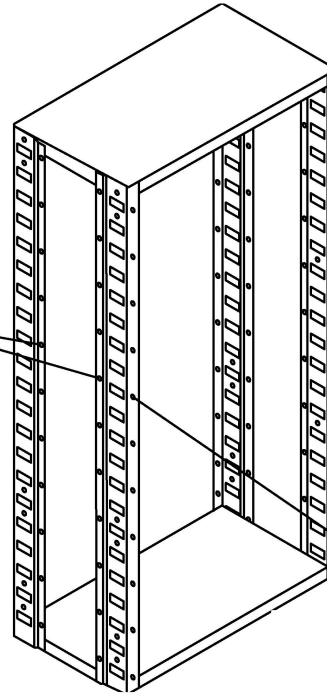
**SHELVING IS WARRANTED AGAINST ALL DEFECTS IN MATERIALS AND WORKMANSHIP EXCLUDING FINISH, DAMAGE RESULTING FROM DELIBERATE DESTRUCTION AND VANDALISM FOR A PERIOD OF ONE YEAR.**



# ASSEMBLY INSTRUCTIONS



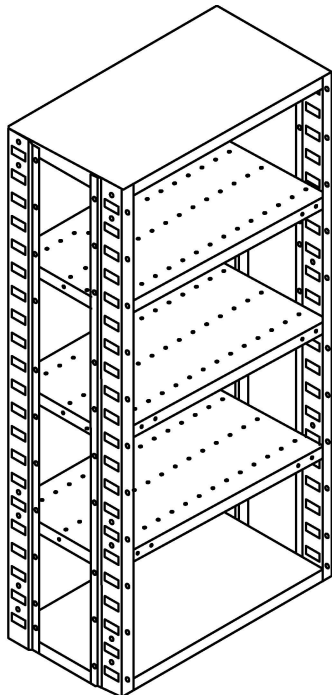
(Ref. Hole location)  
Bolt Thru for Side  
to Side Units



(Ref. Hole location)  
Bolt Thru for Back  
to Back Units

- 1. Bolt Dura-Tech top and bottom shelf ② to angle posts. Use only the 1/4" X .58 long shoulder bolts ④ and crown nuts ⑤ for installation of top and bottom, 16 shoulder bolts and crown nuts are required for each top and bottom, 32 total required.**

- 2. Stand unit up. Dura-Tech frames DO NOT require any bracing. Use a large handled screwdriver to tighten bolts for maximum tightness.**



**SHOWN FULLY ASSEMBLED.**

## ENLARGED VIEW SHOWING SHELF CLIP ⑥

- 3. Install four clips ⑥ at desired shelf height. Place each shelf on the clips and tap down to seat using a rubber mallet.**
- 4. It is suggested that all of the units be assembled, then layout the entire stockroom prior to installing all of the shelves.**

