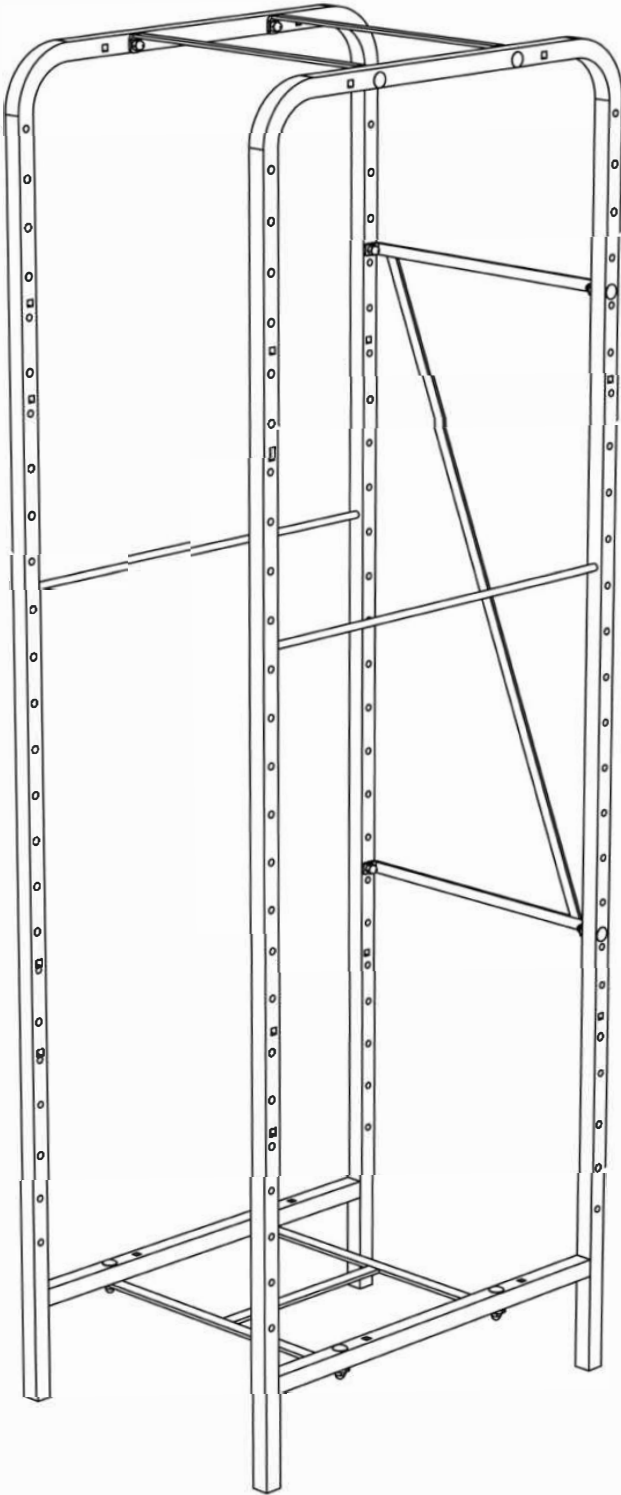
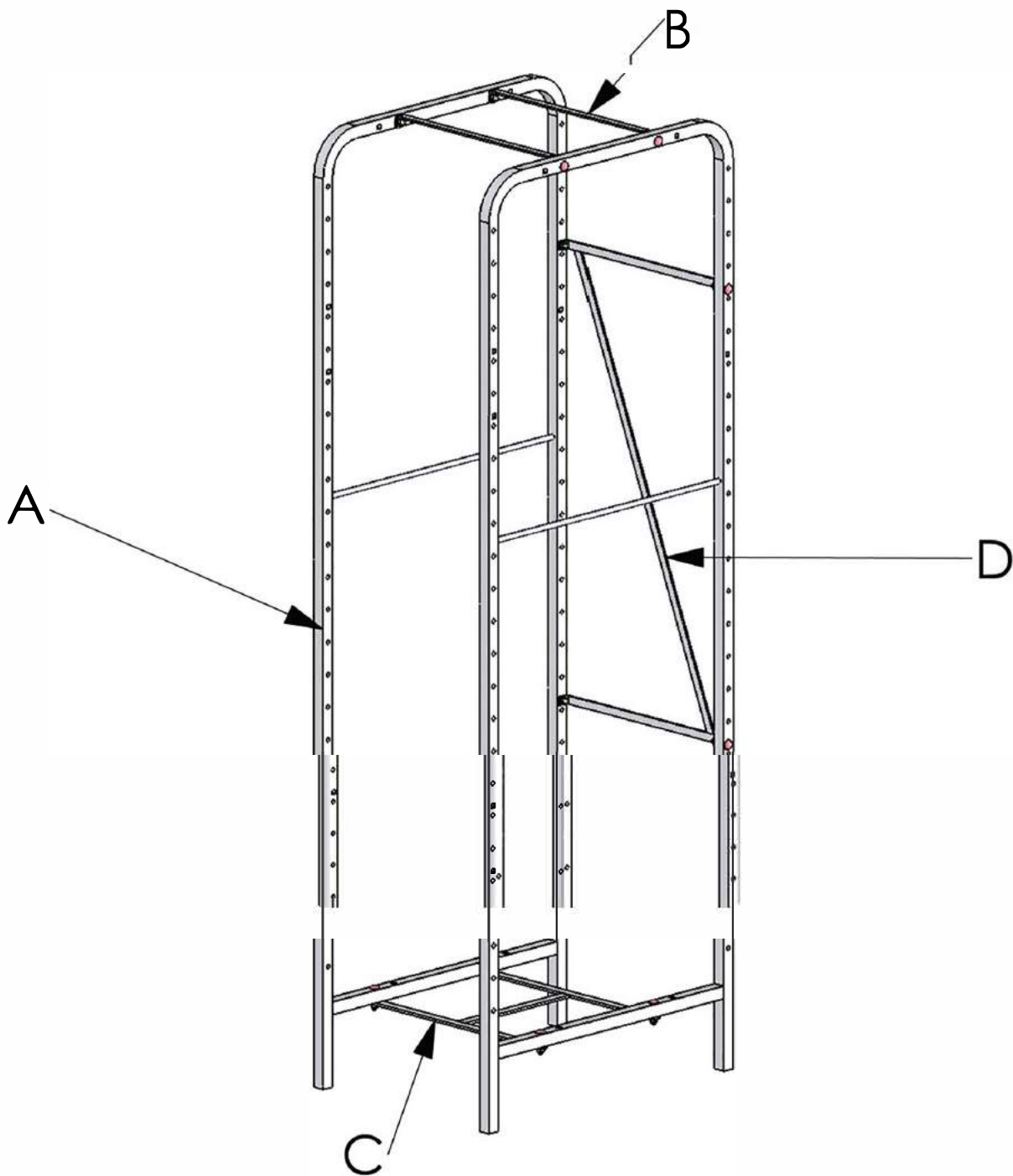


Mobile Basket Rack Assembly Guide

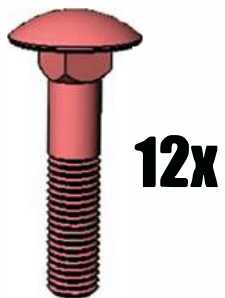
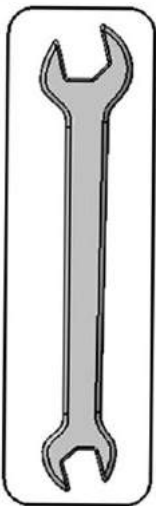
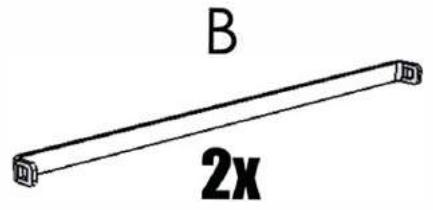
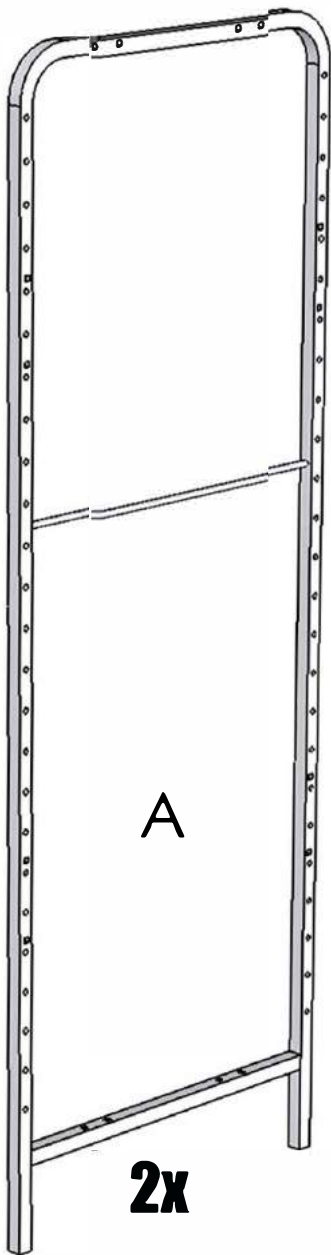
SMS-08-V59-RKU



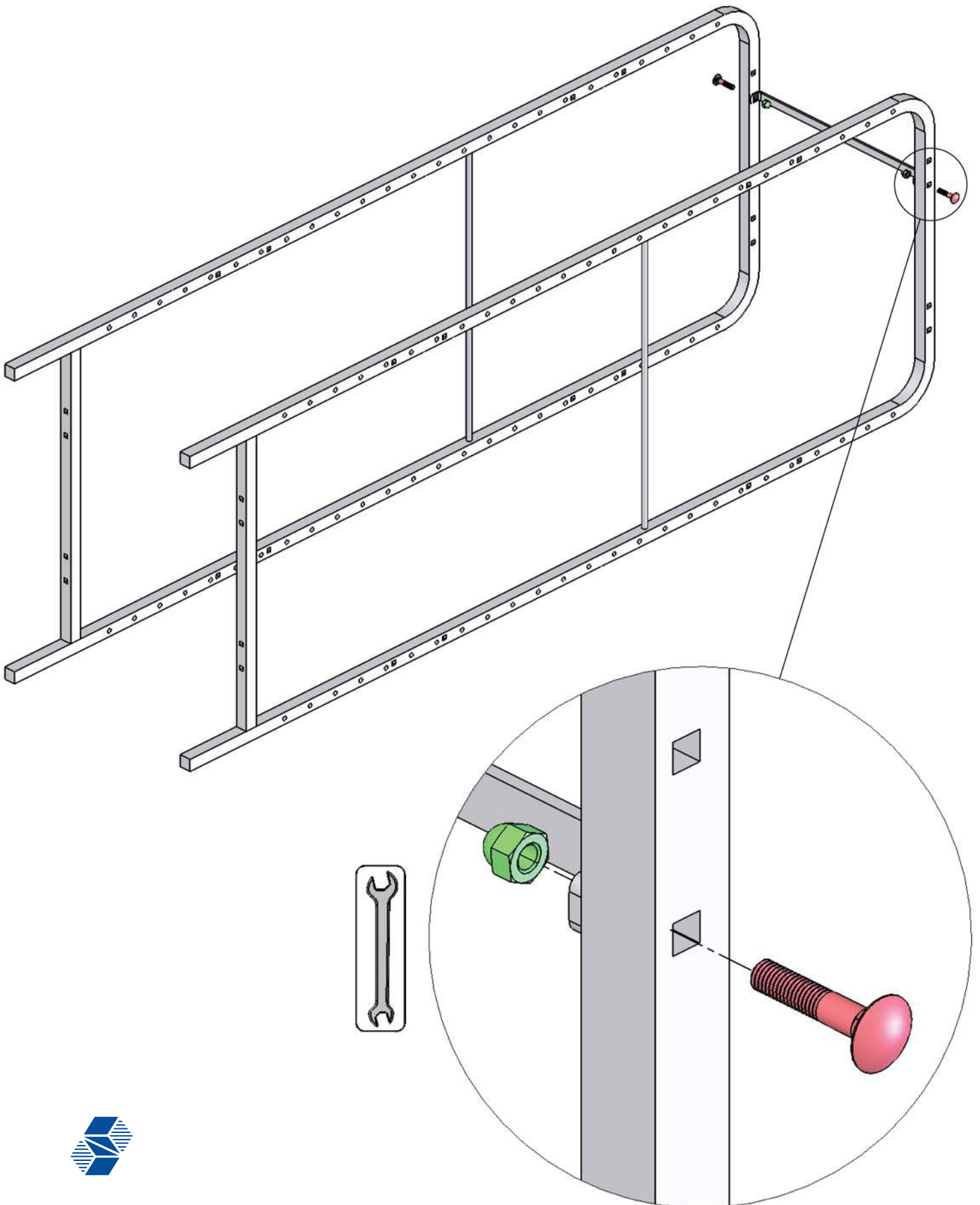


	PART	Default/ QTY.
A	Frame	2
B	Top Connector	2
C	Base Connector	2
D	Back Reinforcement	1

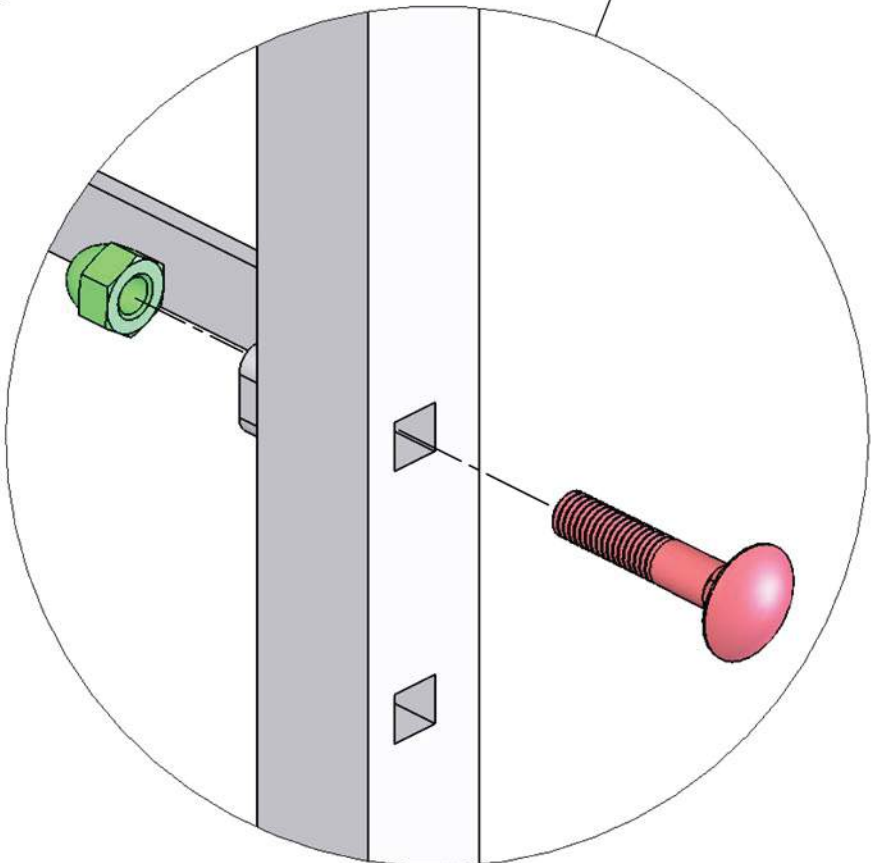
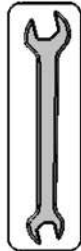
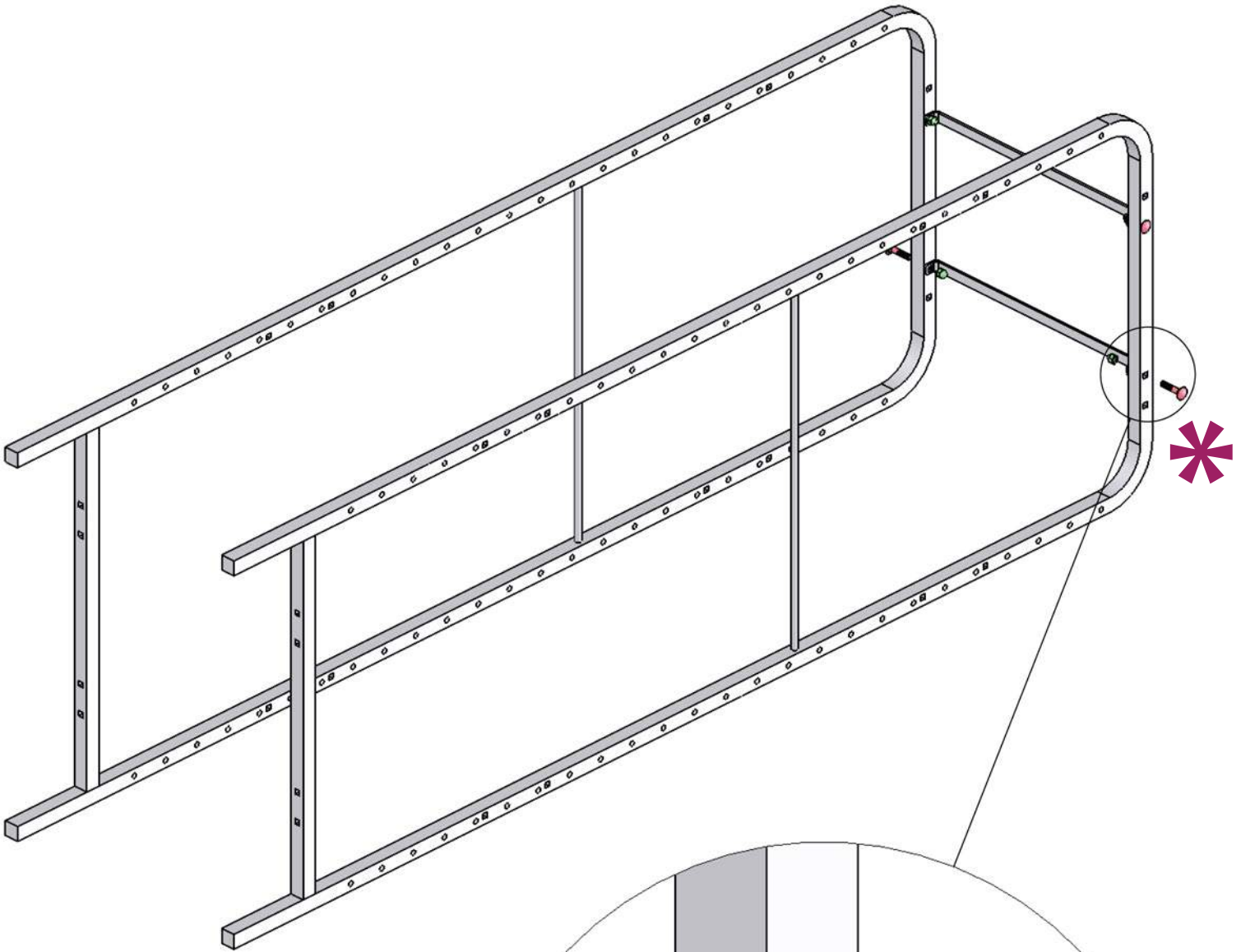




1 Single Rack assembly



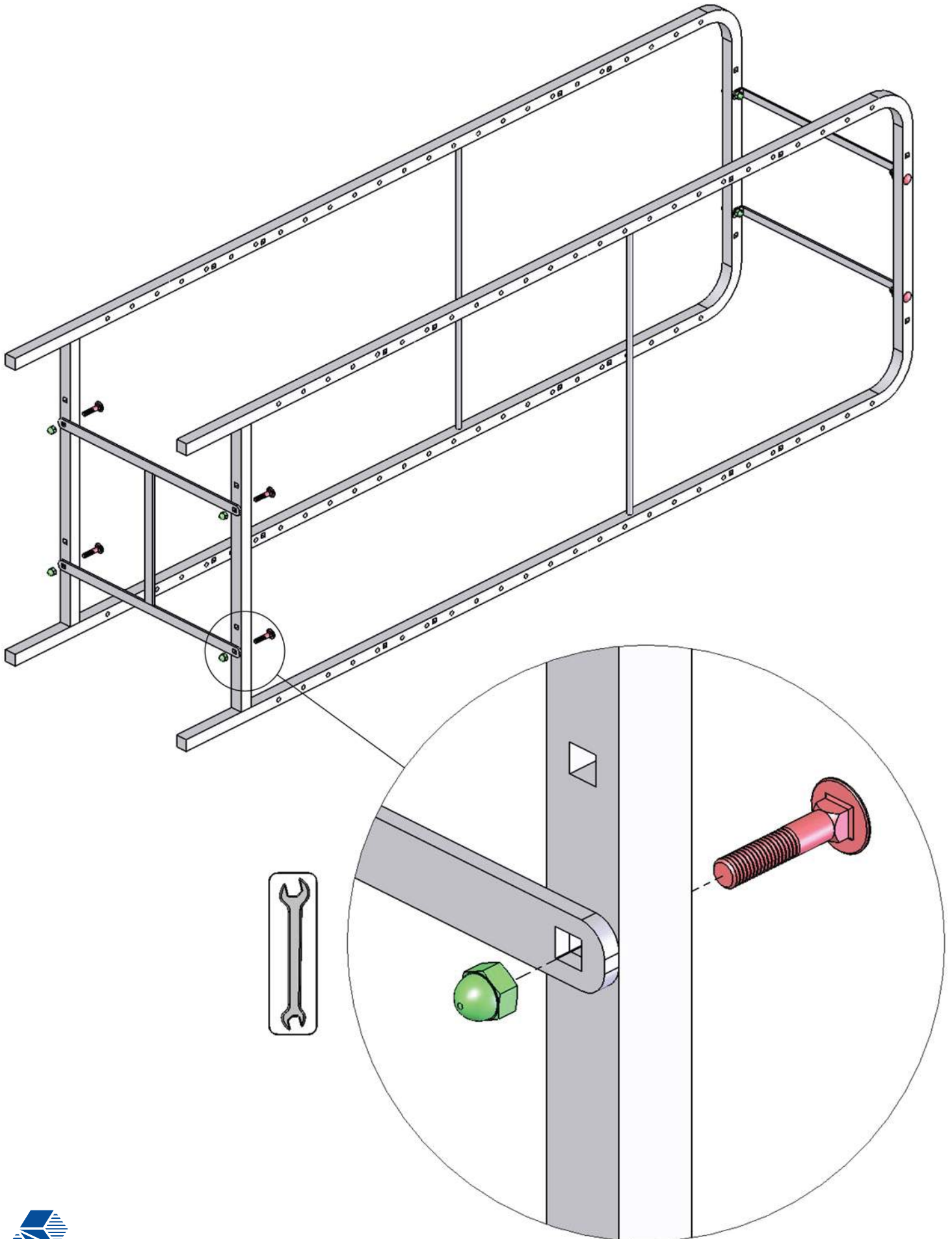
2



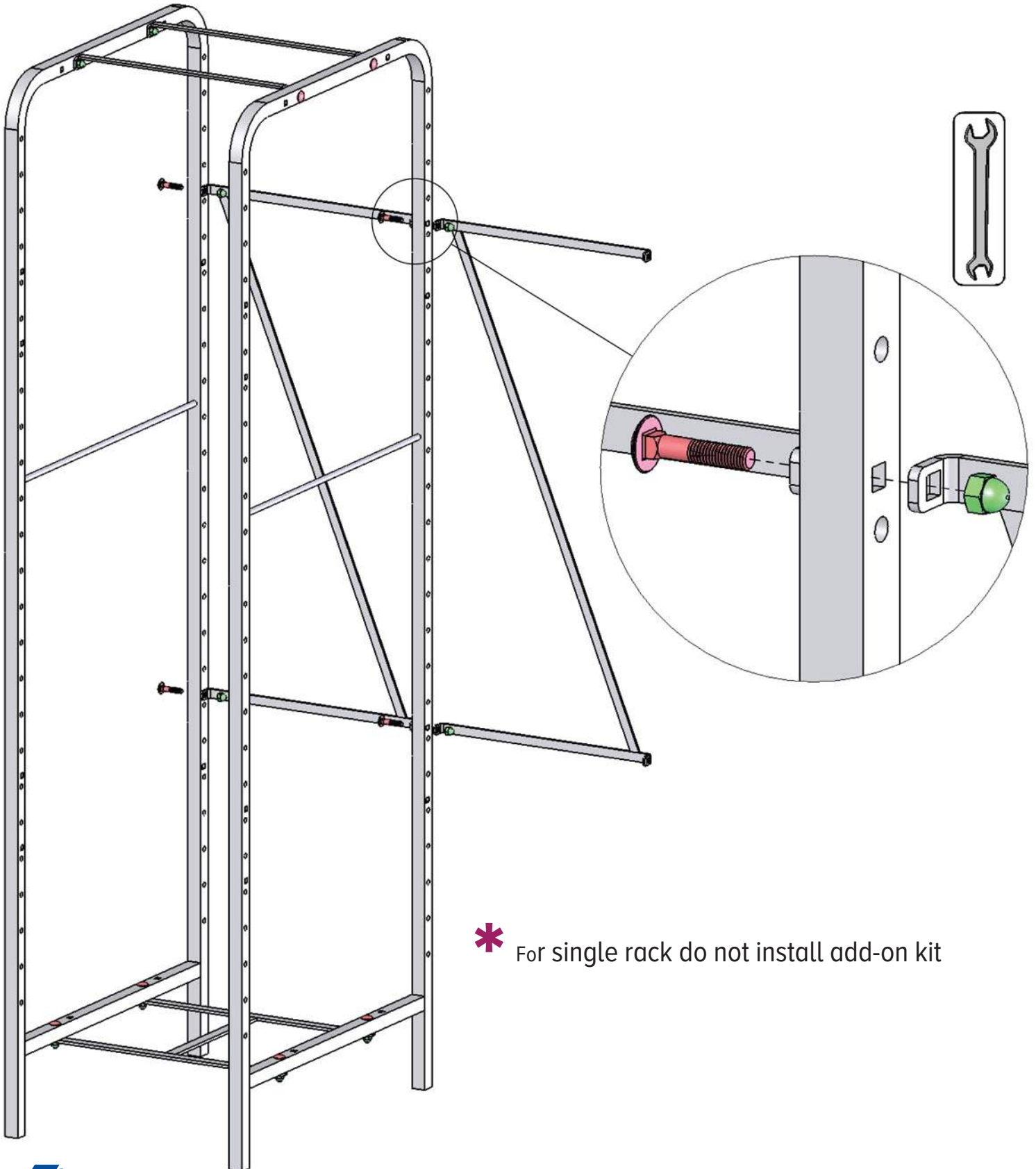
For multiple rack assembly do not tighten screws at this side



3



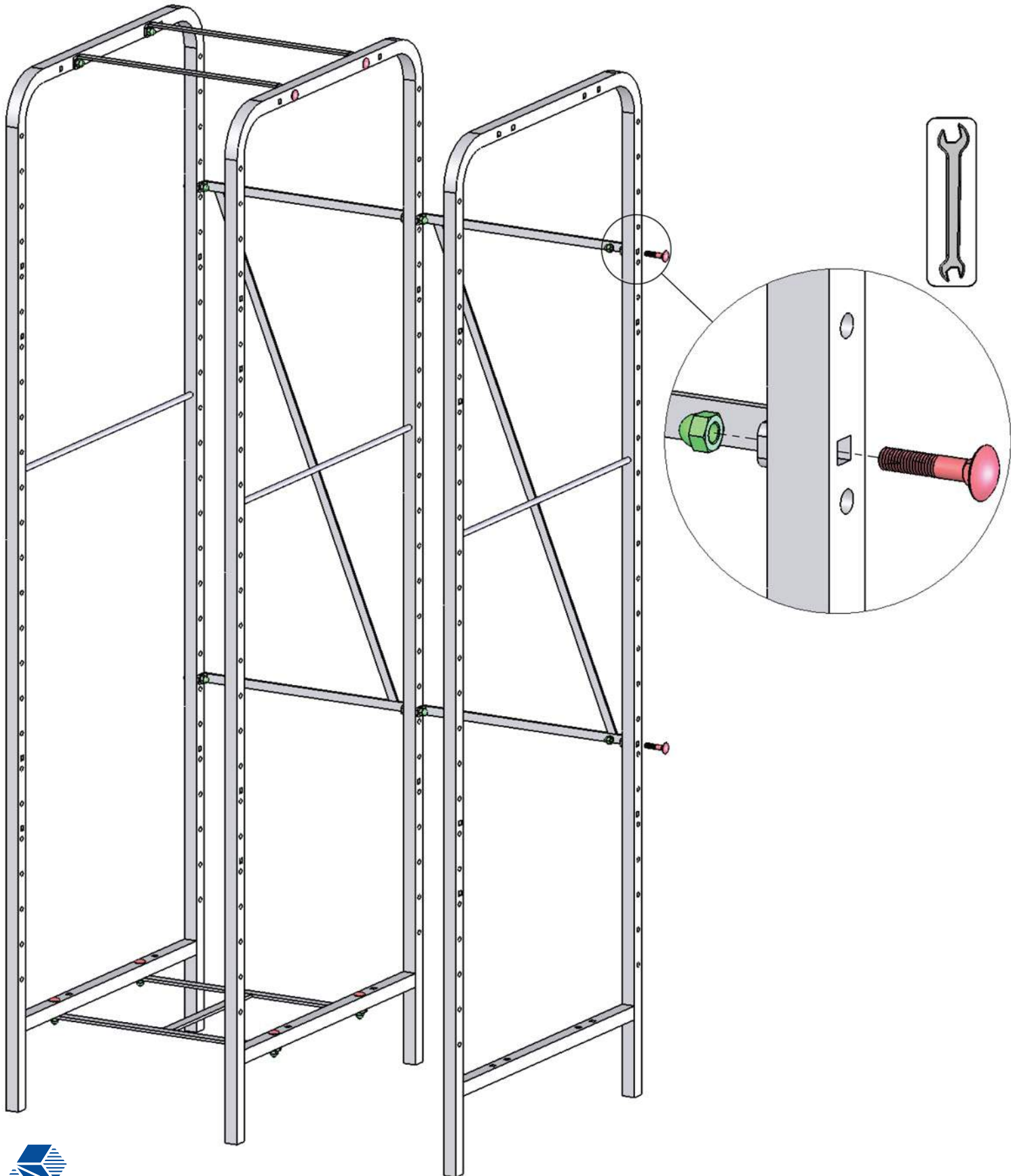
4 Multiple Rack assembly*



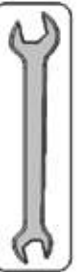
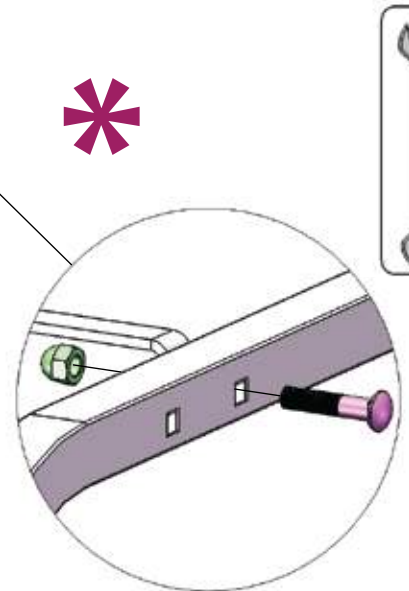
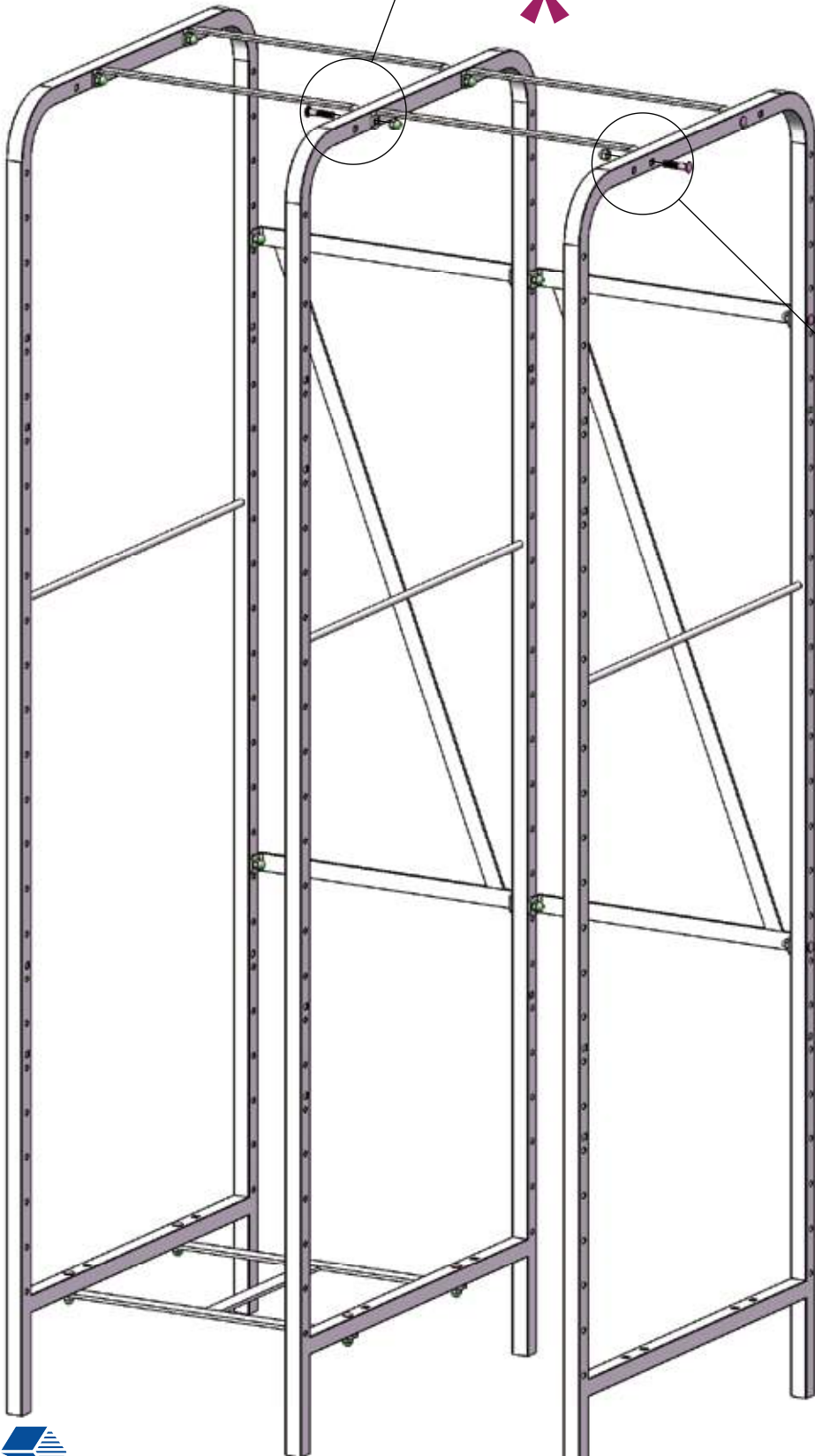
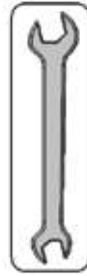
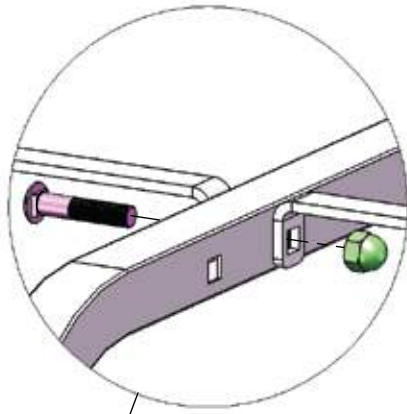
* For single rack do not install add-on kit



5 Rack add-on assembly



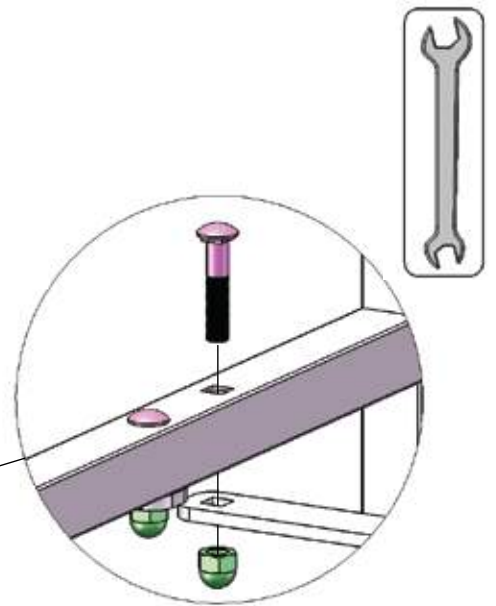
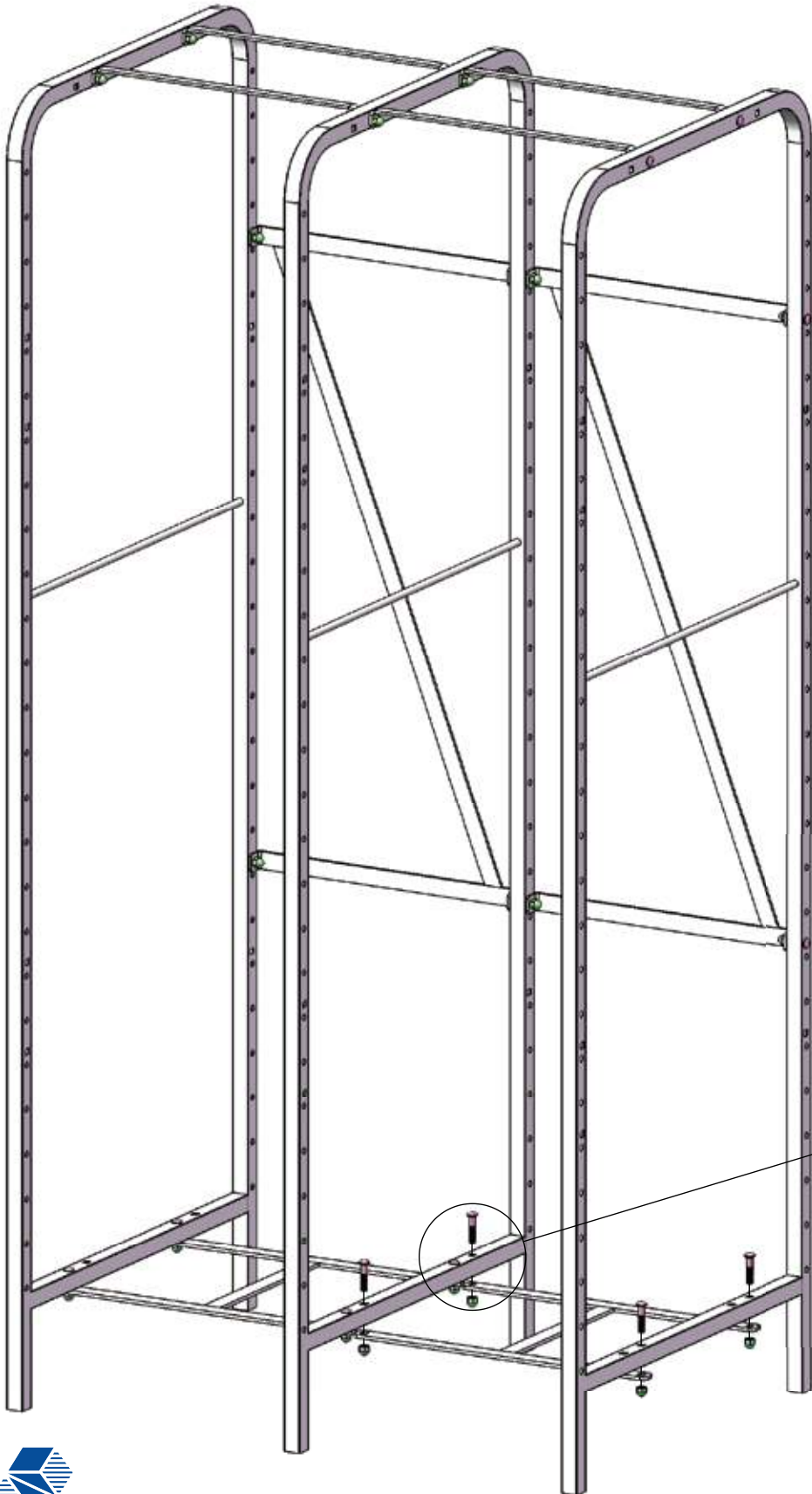
6



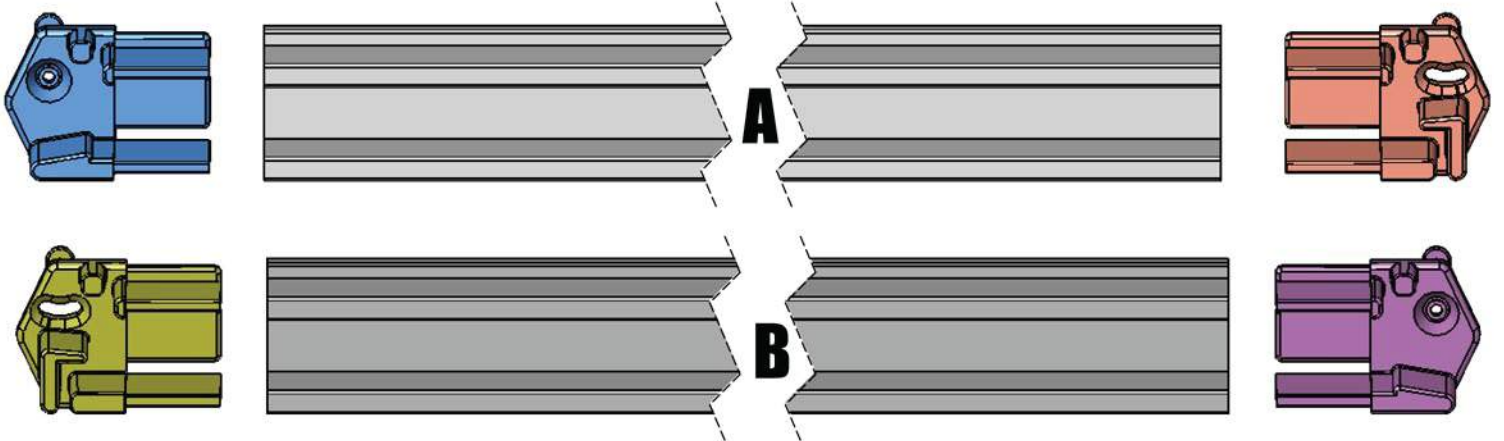
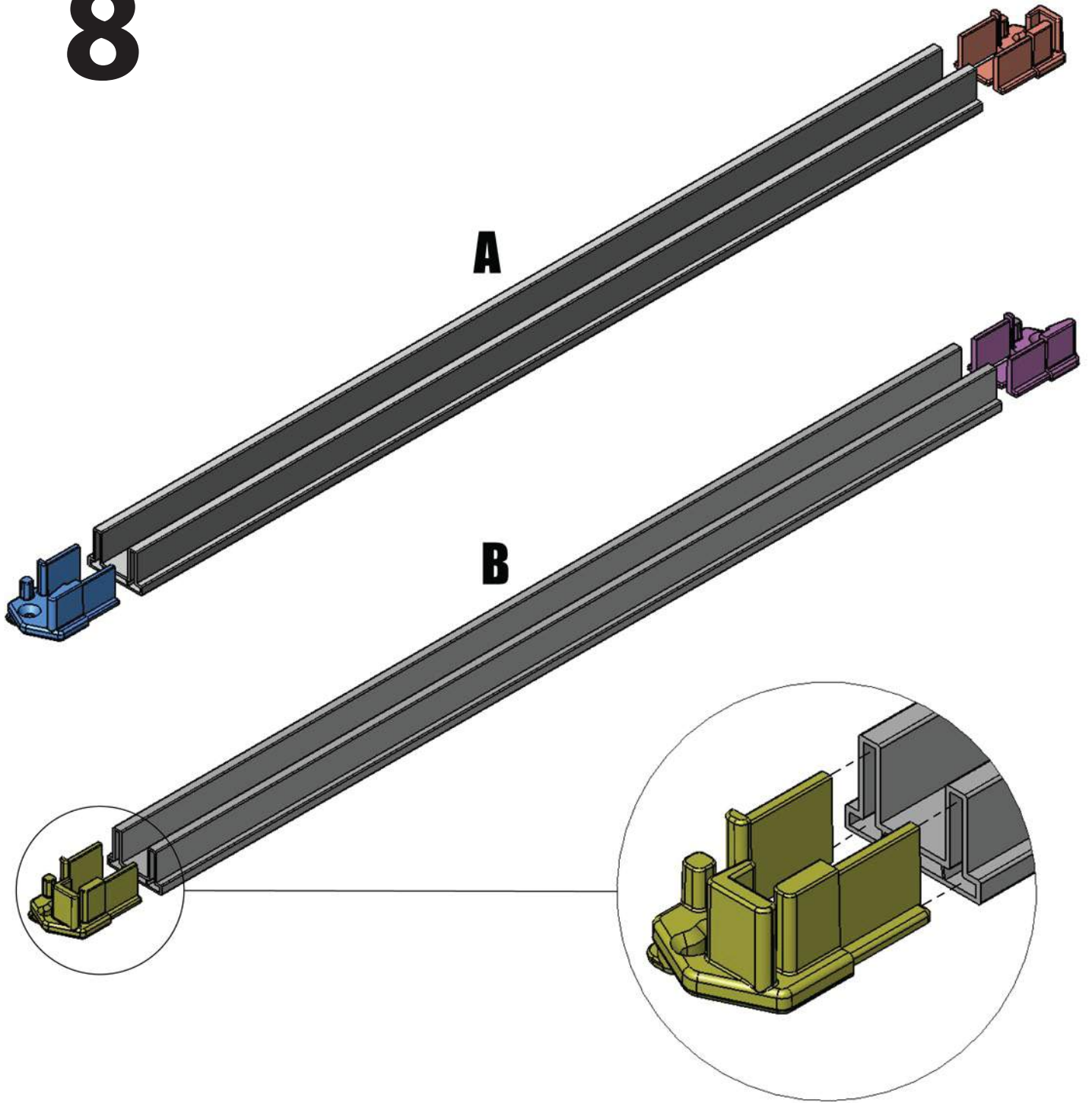
Tighten all screws once all add-on kits are installed



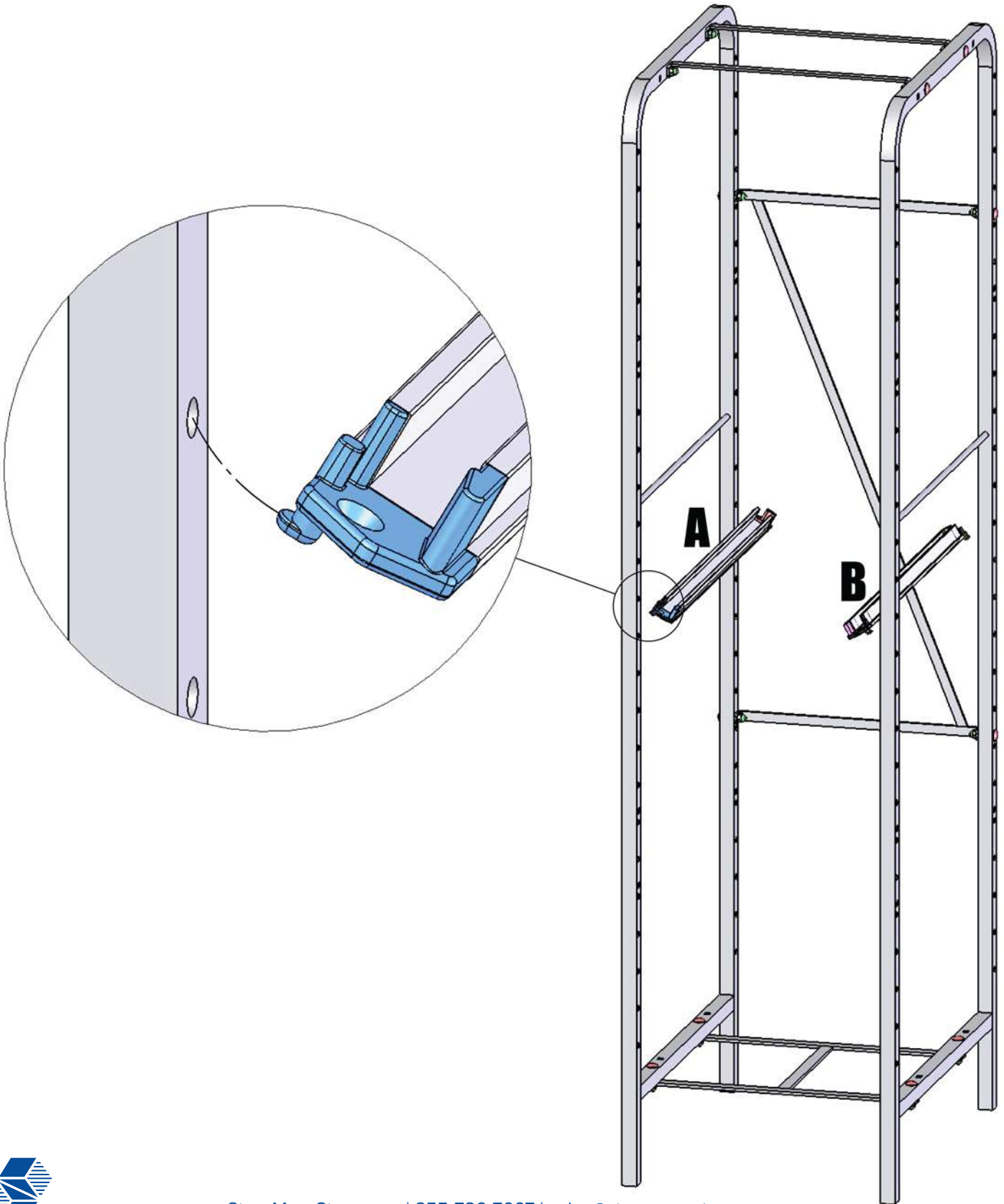
7



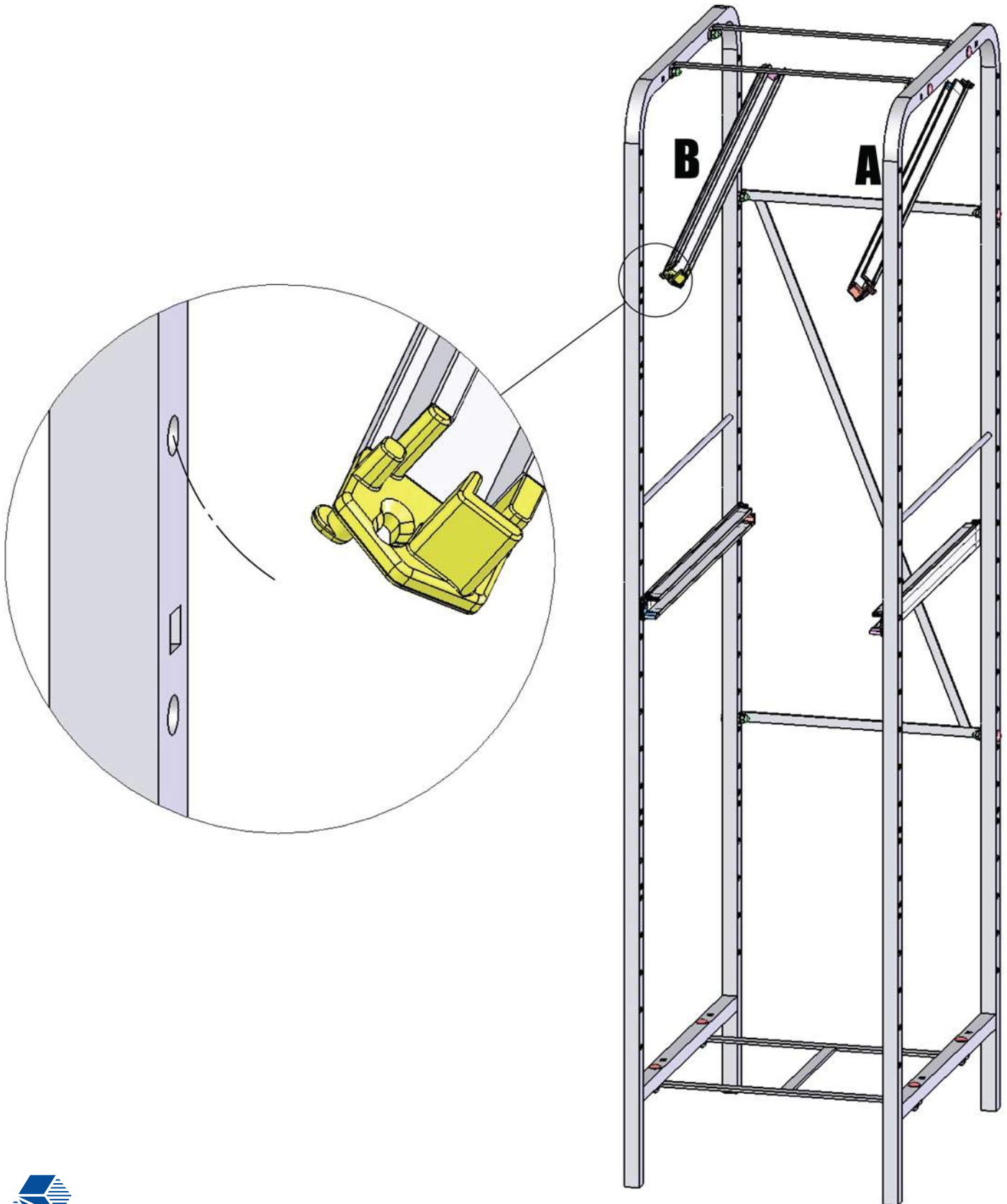
8



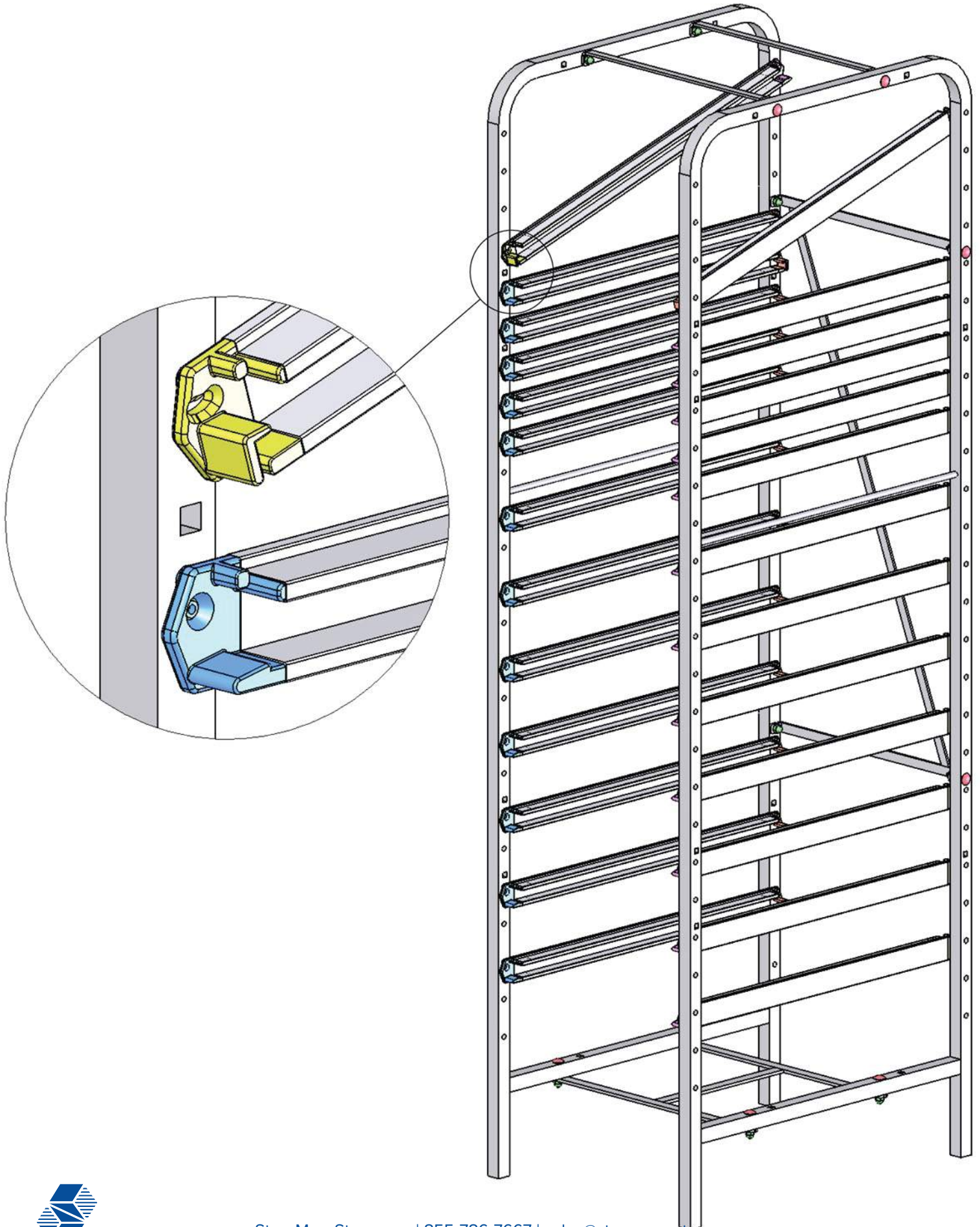
9



10



11



12

