

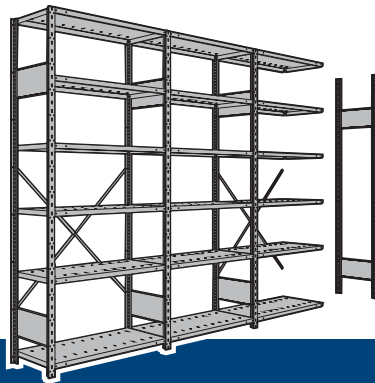
Industrial Shelving with Drawers Assembly Guide

SMS-08-V81-R5S

- All required hardware is included.
- Please check the contents with your packing slip.
- Read instructions carefully.
- Save this document for future reference.
- Two people are required for the assembly.



These instructions are for a single level installation of shelving units. For installation of multi-level shelving or more than 123" h, please refer to specific instructions for bracing and floor anchoring.



Hardware

Some of the illustrated hardware is only supplied with optional components.

1/4-20 bolts

3A1814L2



1/4-20 bolts

3A1818L2



1/4-20 bolts

3A1824L2



1/4-20 bolts

3A1826L2



Back panel clips

panneau arrière SH32



Shelf clips

SH60



1/4-20 nuts

3S1801Z2

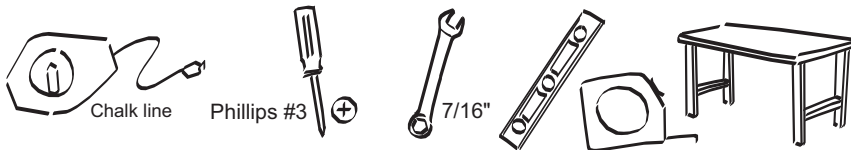


Nylon clip

71011050



Tools Required



Outils requis



Set-up

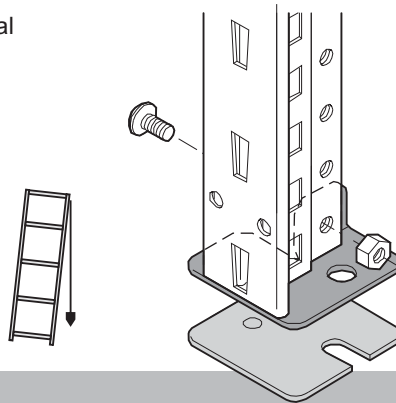
- Check the leveling of the floor in order to determine the critical areas. Use SH45 floor anchor plates and SH46 shim plates to level the shelving units.
- Make sure that no obstacle nor electrical wiring comes in contact with the structure.



Manufacturer recommendation:

Plumbness:

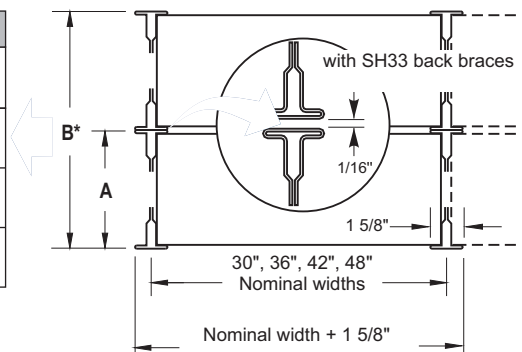
The shelving must be installed with a maximum tolerance from the vertical of 1/2" inch in 10 feet of height. Floor plates must be anchored if more than one shim is used.



Overall Dimensions

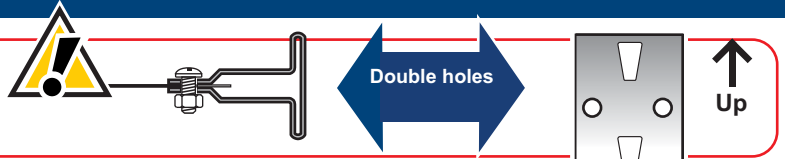
- It is recommended to lay out shelving positions on the floor with a chalkline before beginning the installation.
- * For installations of other types of bracing or back panels, refer to technical instructions S52.

		Depths / Profondeurs	
		nominal dimension dimension nominale	real dim. dim. réelle
A		12", 15", 18", 24"	nominal + 1/4"
B*	24"	with SH31 back pannels avec panneaux SH31	nominal + 1/2"
	36"		
	36"	with SH33 back braces avec entretoise SH33	nominal + 9/16"
	48"		

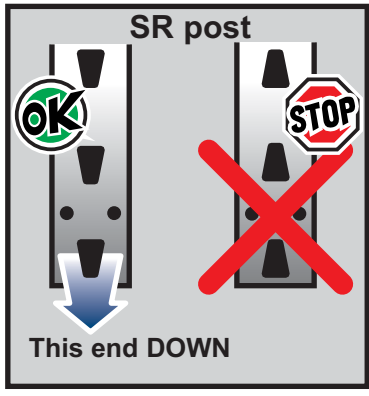
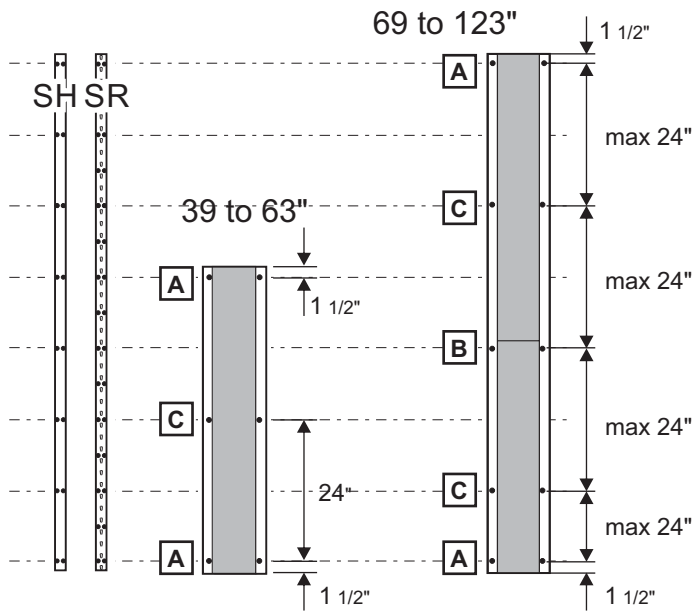


Upright Assembly (bolted)

Visual reference : Always try to align screws with the double-holes of the front of the post.

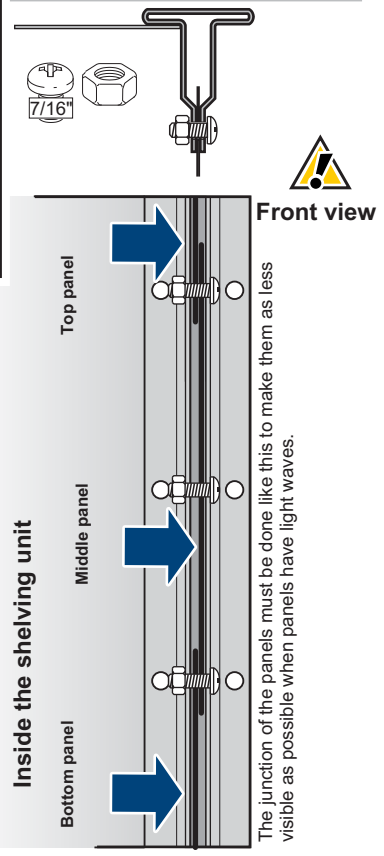


Closed Uprights



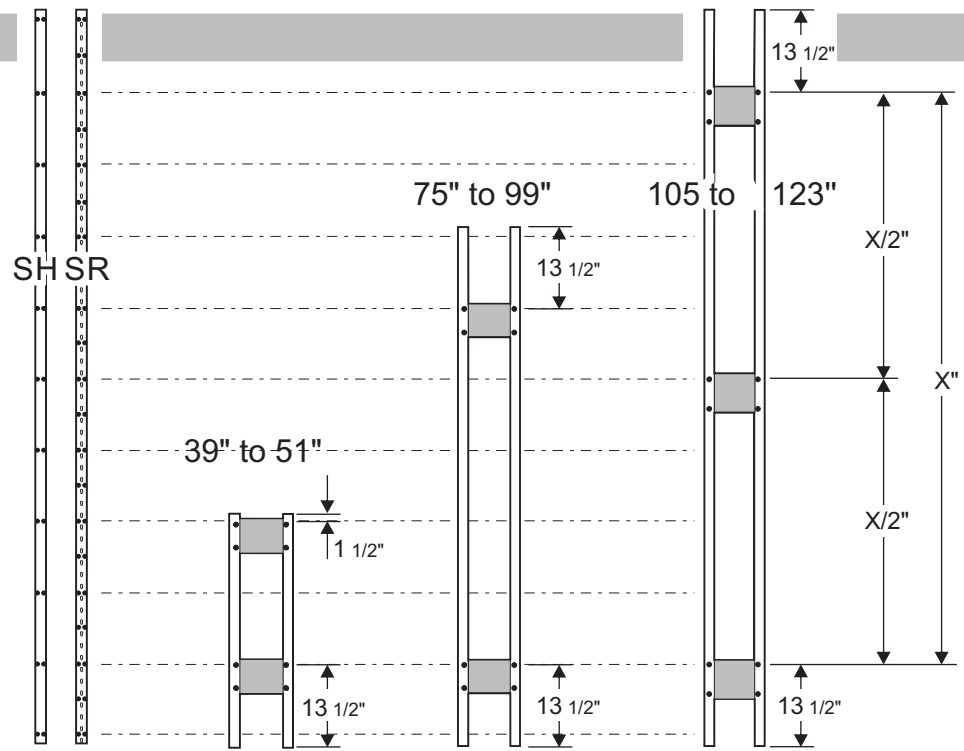
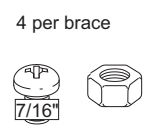
Posts	Panels
69 & 75"	39" + 39"
81 & 87"	39" + 51"
93 & 99"	51" + 51"
105 & 111"	39"+39"+39"
117 & 123"	39"+39"+51"

- A** 2 screws at each extremity of the closed upright
- B** 2 screws at the panel junction (for 69"H uprights & more).
- C** 2 screws between top and bottom of each panel.
Never exceed 24" between screws, see illustration.



The junction of the panels must be done like this to make them as less visible as possible when panels have light waves.

Open Uprights

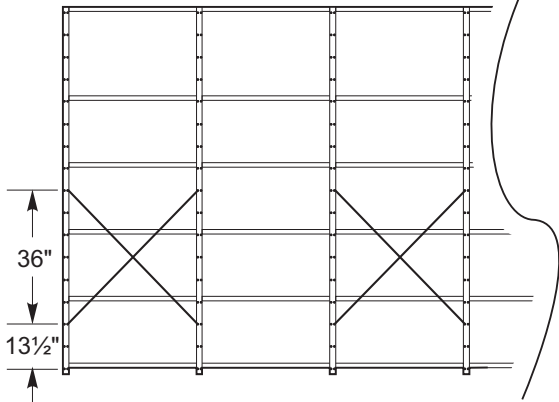


Back sway brace or back panels (bolted)

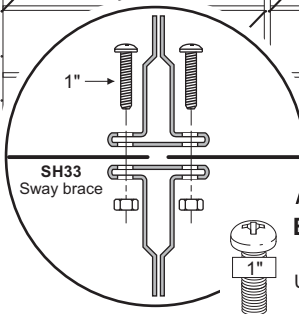
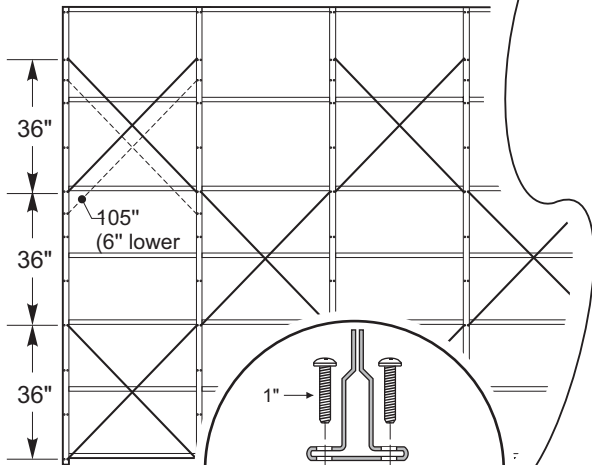
Open Shelving

4x 4x (per brace)

99" and less



105" to 123"



Back-to-back shelving

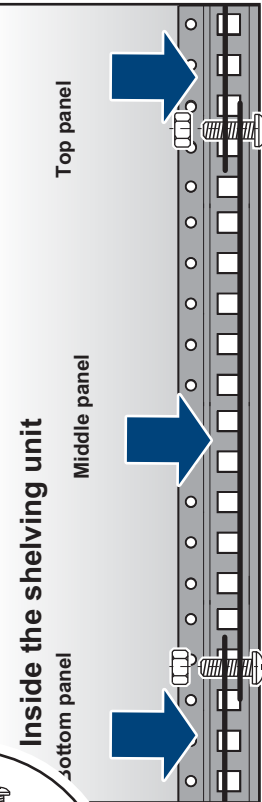
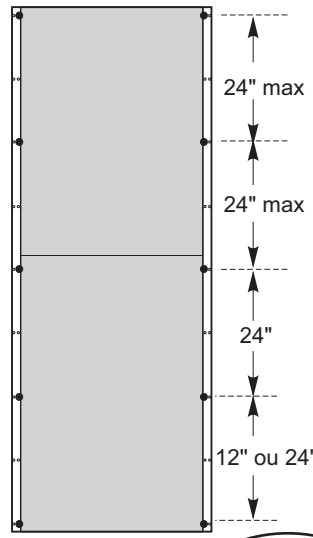
Use the 1" long bolts.

Closed Shelving

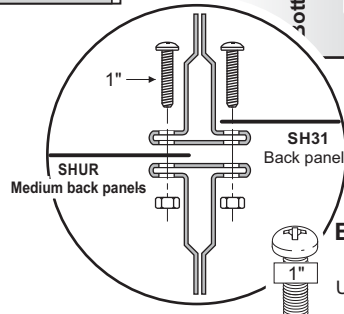


Panel junction

Posts Poteaux	Panels Panneaux
69 & 75"	39" + 39"
81 & 87"	39" + 51"
93 & 99"	51" + 51"
105 & 111"	39"+39"+39"
117 & 123"	39"+39"+51"



The junction of the panels must be done like this to make them as less visible as possible when panels have light waves.

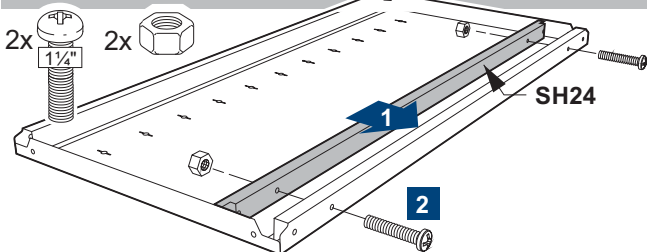


Back-to-back shelving

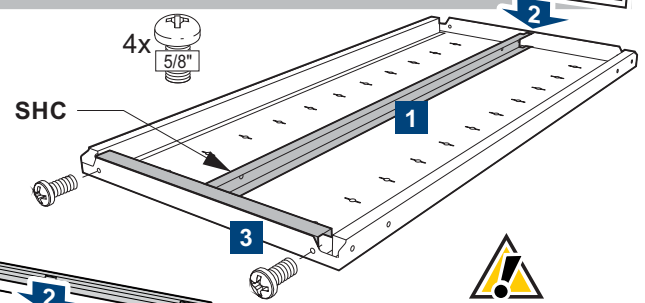
Use the 1" long bolts.

Reinforcer for SH20 Shelf

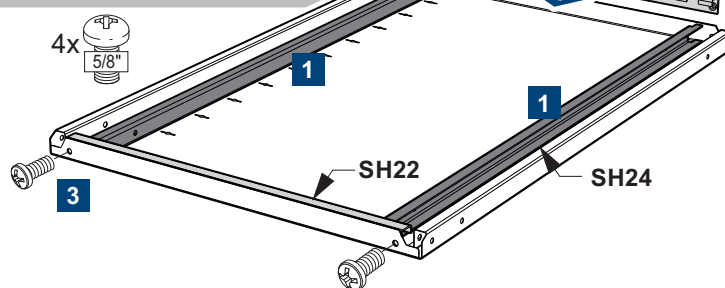
Front Reinforcer



Central Reinforcer



Front+sides Reinforcers



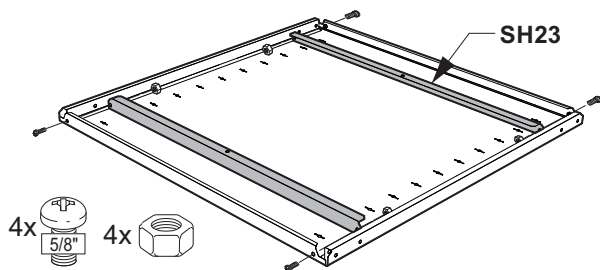
If your shelves are equipped with reinforcers, install them onto your shelves **before** putting them into the shelving unit.



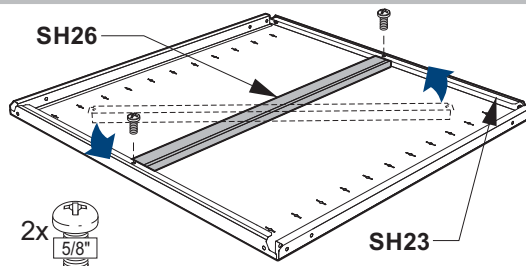
Reinforcer for SH21 Shelf

If your shelves are equipped with reinforcers, install them onto your shelves **before** putting them into the shelving unit.

Side Reinforcers



Width Reinforcer



Anchoring, base and shelves

1 Base

If it is required, the front base must be installed **before** the lower shelf is put in place.

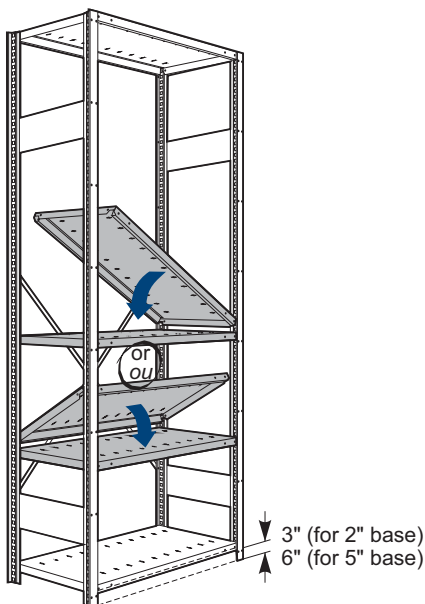
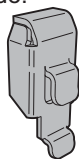
See illustration at far right.

2 Anchoring and Leveling

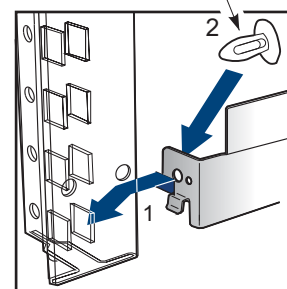
Refer to #S17 assembly guide.

3 Clips and Shelves

Place the shelf clips at the desired positions. Begin by placing the top and bottom shelves. Finally, put the other shelves into the unit.

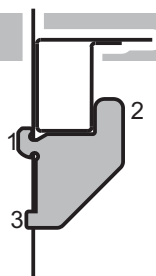


Clip non-mandatory



Back panel clip (Closed shelving)

- 1 First, insert the little hook of the clip into one of the central holes of the back panel.
- 2 Rotate the clip until the upper tab gets behind the shelf.
- 3 The lower tab locks itself into one of the holes of the panel.

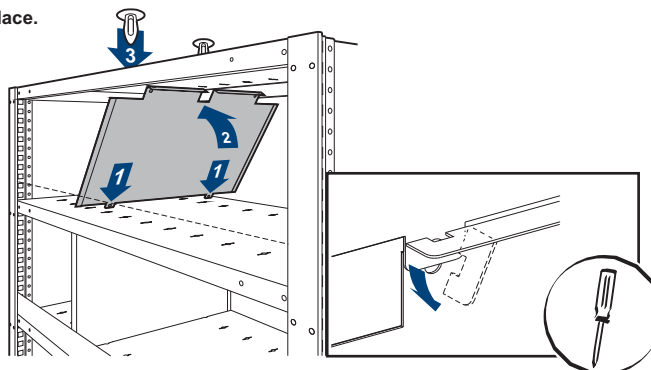


Bin front & dividers

- The bin fronts must be put in **before** the dividers. They are installed the same way as the front base (see illustration above).

Use the nylon clips to secure them in place.

- Install the dividers, starting at the bottom of the unit. Each divider holds the one directly below it in place.
- Use nylon clips to hold non-aligned dividers.

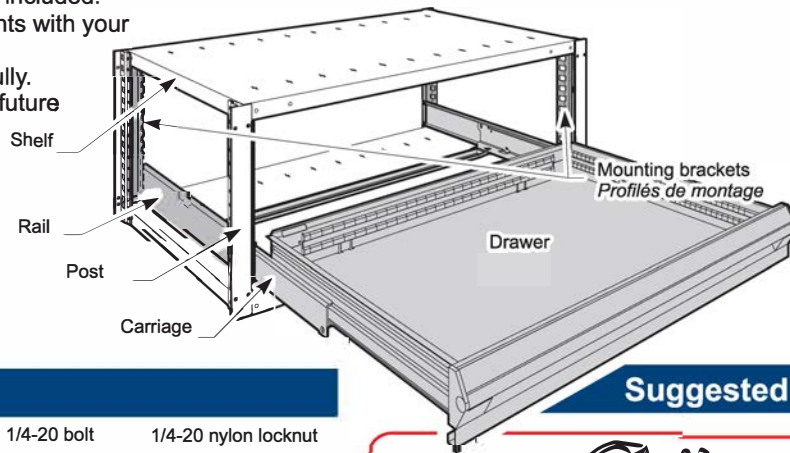


To remove an aligned divider, simply bend the upper tabs.






Modular Drawers - R Line For Spider® Shelving - Assembly Guide

- All required hardware is included.
- Please check the contents with your packing slip.
- Read instructions carefully.
- Save this document for future reference.



Hardware

Tapping screw	1/4-20 bolt	1/4-20 nylon locknut
3D6808L2	3A1824L2	3S1803T2
2x  1/4"	8x  1"	8x 

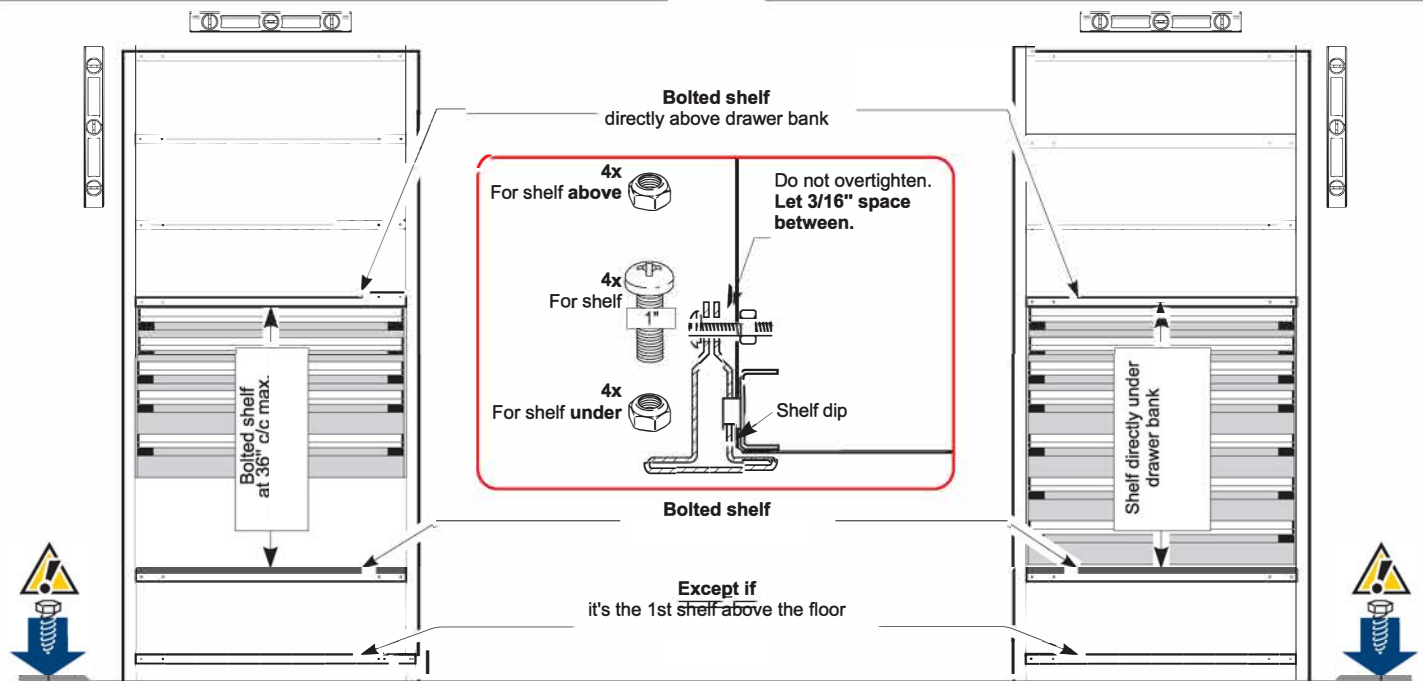
Suggested tools



Warning! Read Before Installation

Mounting bracket heights : 18" & 24"

Mounting bracket heights : 36" & 48"

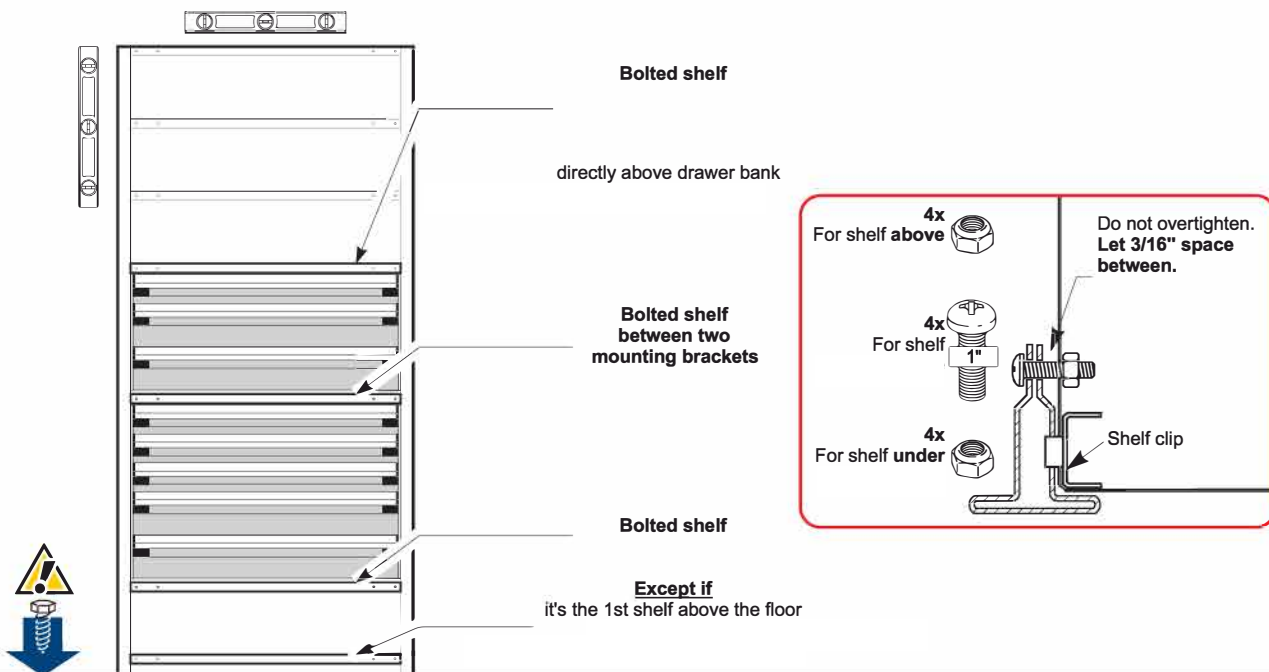


Shelving unit **must** be anchored to the floor or to the wall structure.

FAILURE TO INSTALL SHELIVING WITH DRAWERS ACCORDING TO THE ABOVE MENTIONED REQUIREMENTS & THIS ASSEMBLY GUIDE INSTRUCTIONS COULD RESULT IN SERIOUS BODILY INJURY AND/OR PROPERTY DAMAGE.

Warning! Read Before Installation... continued

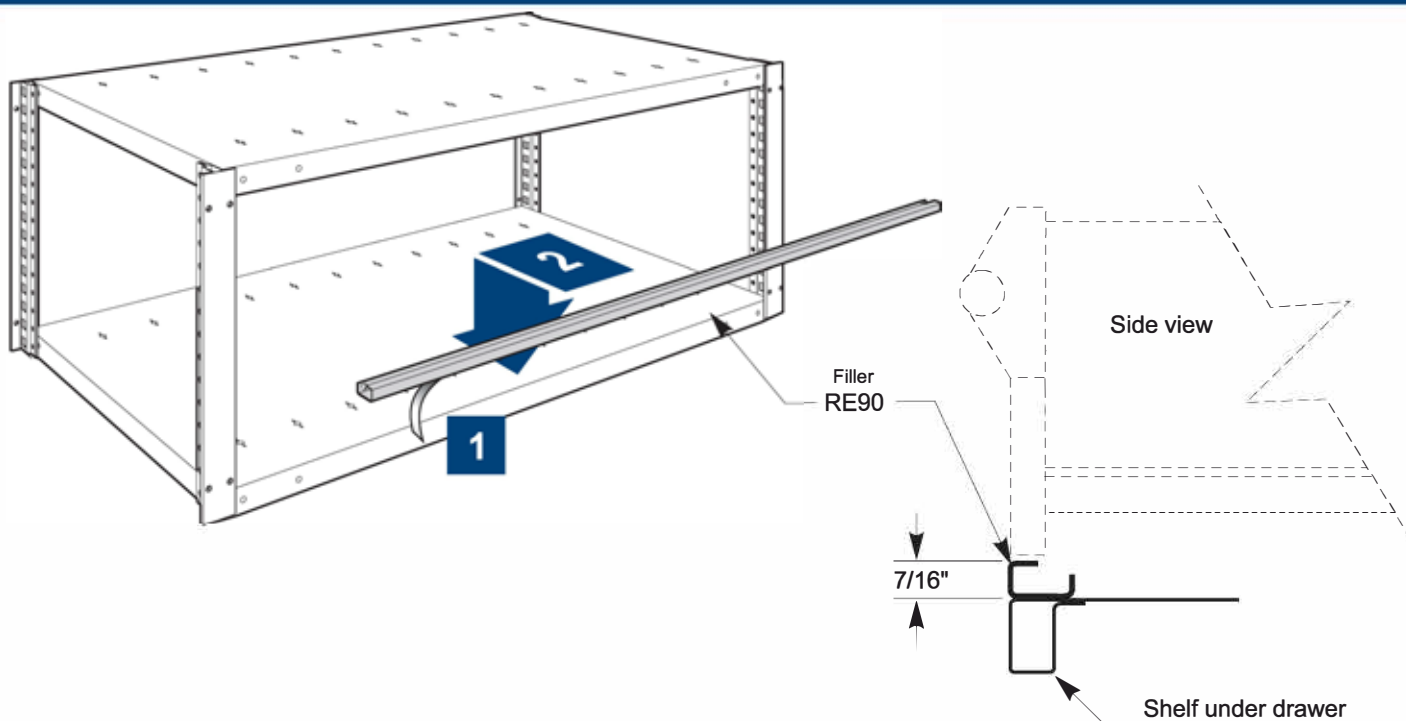
Shelf between mounting brackets



Shelving unit **must** be anchored to the floor or to the wall structure.

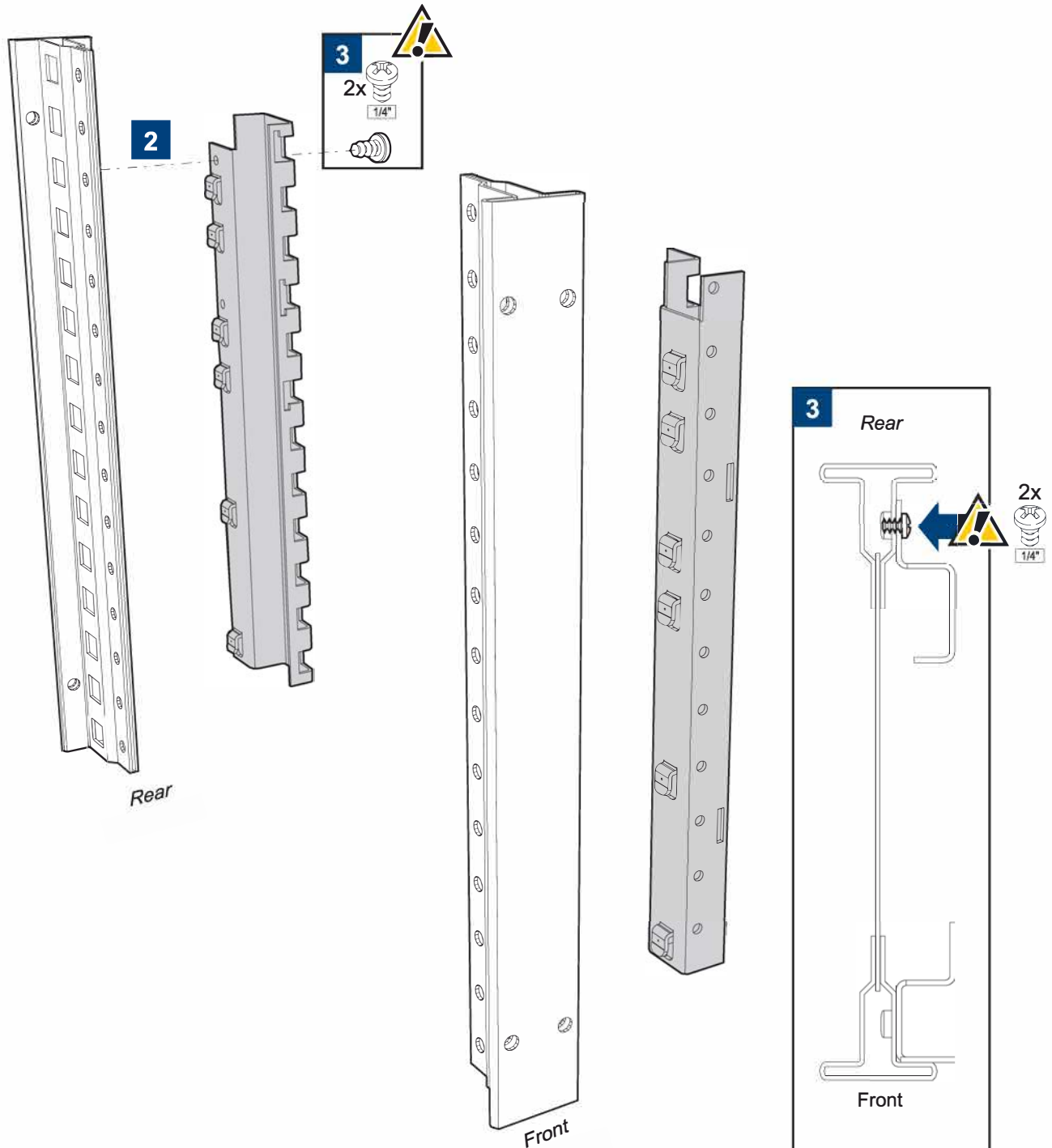
FAILURE TO INSTALL SHELIVING WITH DRAWERS ACCORDING TO THE ABOVE MENTIONED REQUIREMENTS & THIS ASSEMBLY GUIDE INSTRUCTIONS COULD RESULT IN SERIOUS BODILY INJURY AND/OR PROPERTY DAMAGE.

Re90 Filler Assembly (optional)



Mounting Bracket Assembly

- 1 Remove the shelf directly above the drawers.
- 2 Hook the mounting brackets to the front and rear posts.
- 3 **IMPORTANT!** You must secure the rear mounting brackets in place with included Screws.
- 4 Replace and bolt the shelf above the drawers.

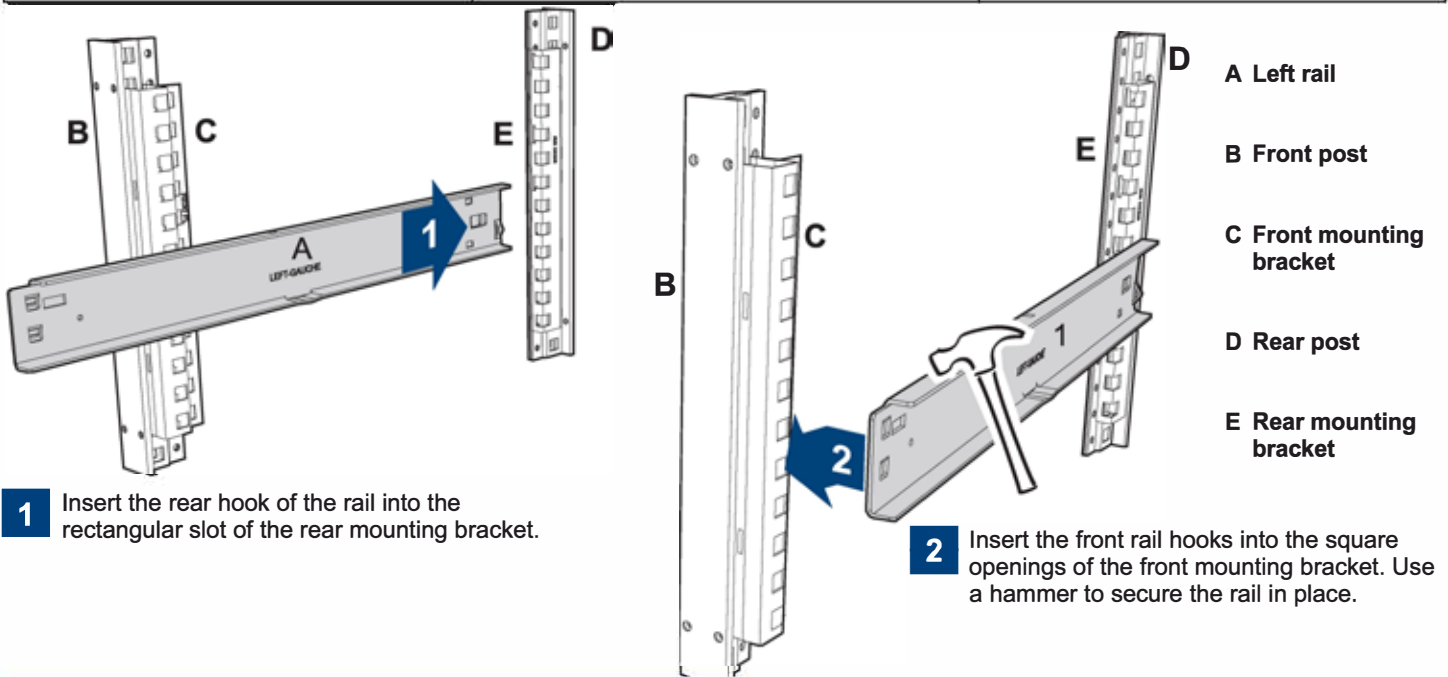
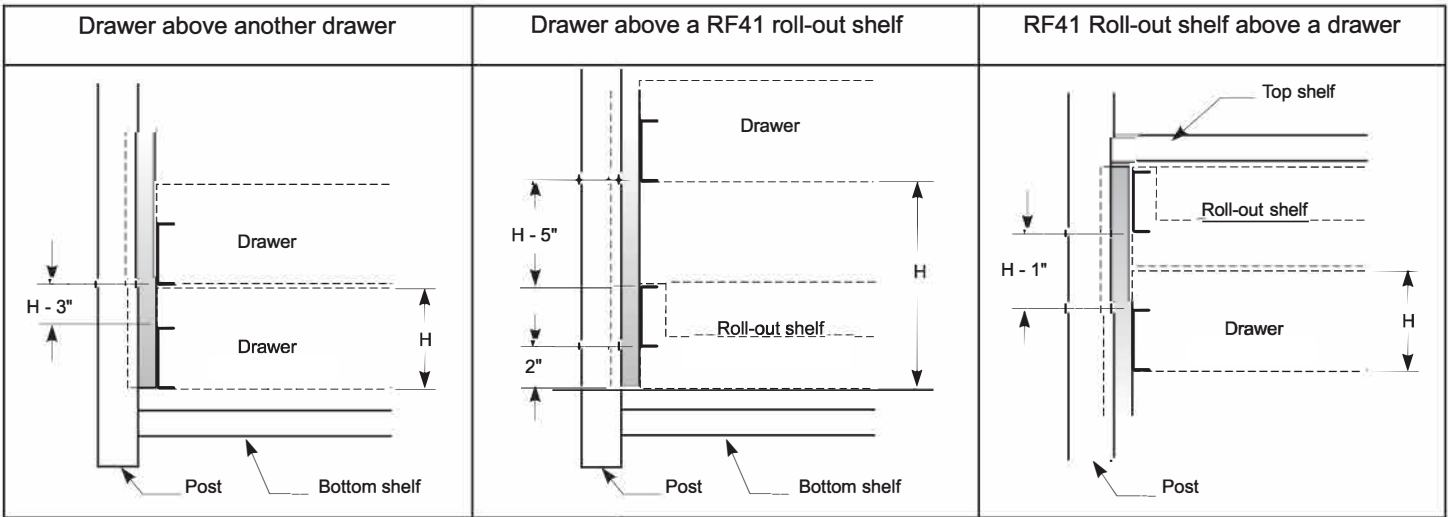


Rail Assembly

To install the rails, start from the bottom.

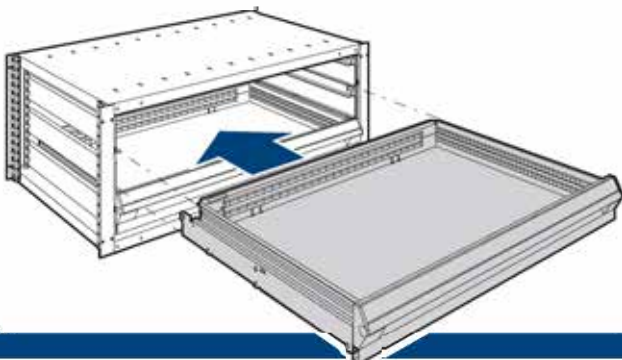
- Note that there are right and left rails.
- Installez les rails en commençant par le bas.
- Notez qu'il y a des rails gauches et droits.

Free Space Between Rails



Drawer Insertion

It is normal to observe friction and blocking when you insert the drawer and carriage into the rails. Slightly lift the front of the drawer to reduce blocking and allow to complete the insertion.

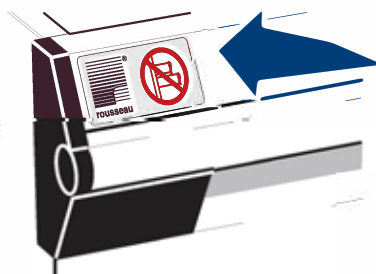


Security Sticker



This **SECURITY sticker**, included in the assembly kit, must be placed on the top drawer.

IMPORTANT



See sticker 74500651