

# Heavy Duty Steel Shelving Assembly Guide

## SMS-08-V39-HCS

### General Instructions

1. Check material received against the packing list. Check the number of packages received and then check the contents of each package.
2. Check the material received for damage. If damage has occurred, secure a “damage notation” from the carrier
3. Identify each part as it is unpacked and put like parts together as close as possible to the working area where they are to be assembled.
4. Be careful to use the correct hardware as specified in the assembly instructions.

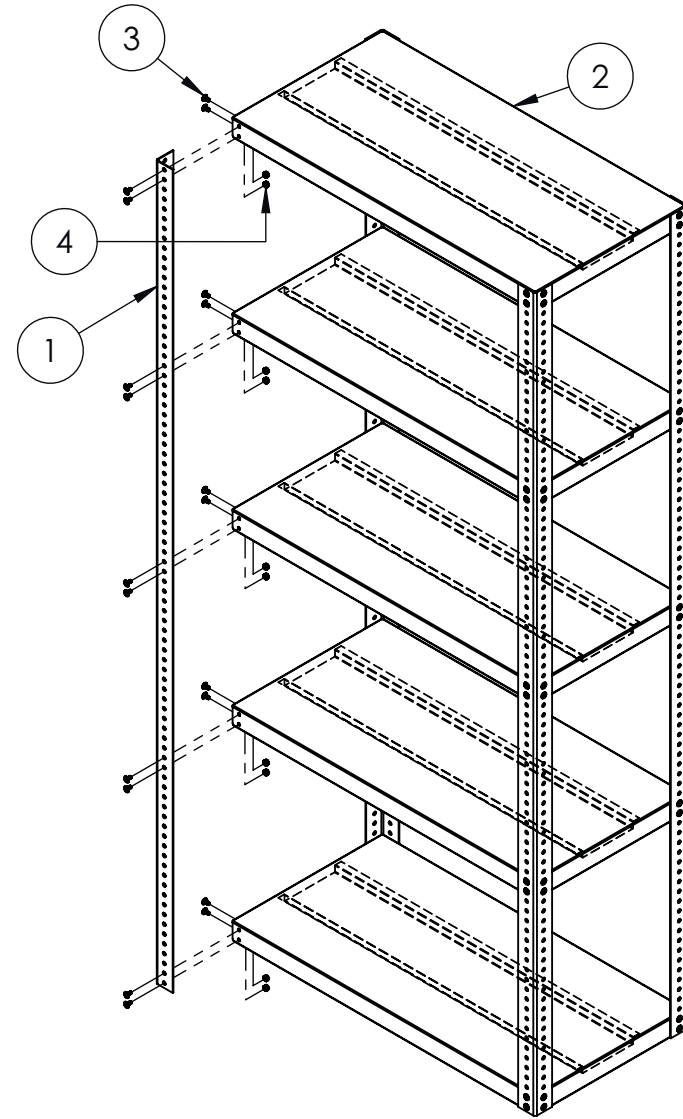
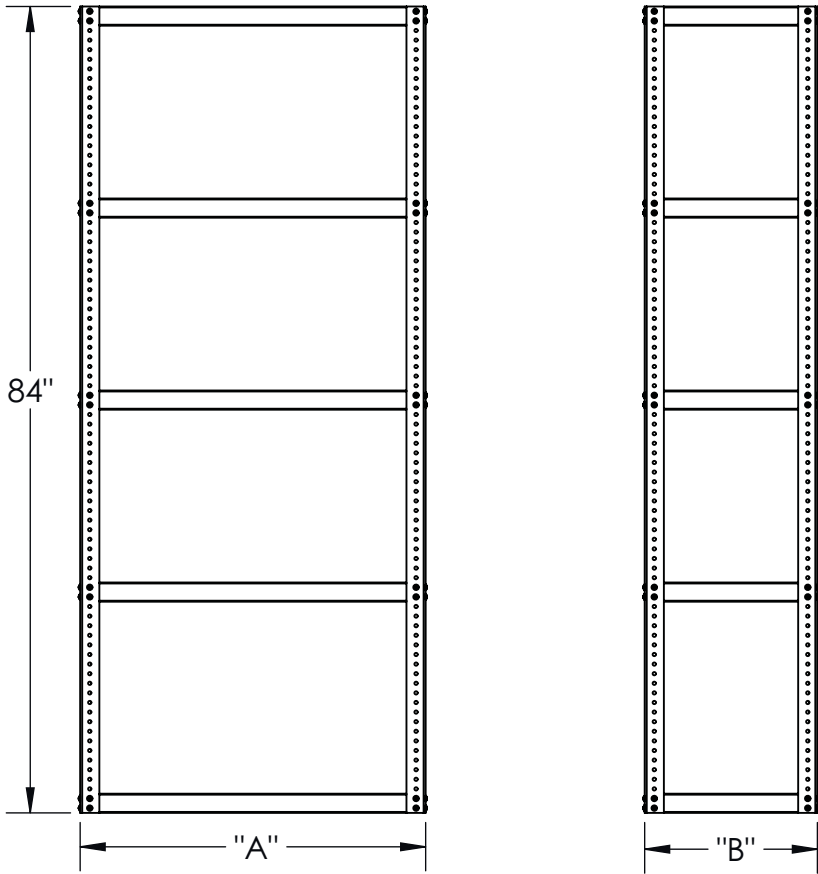
### CAUTION

In the interest of safety, all lockers and shelving must be securely anchored to the floor and/or wall. For safety, handle all components carefully and wear work gloves when assembling lockers. Install all units plumb and tighten all hardware securely. Retain instructions for future reference.



ITEM NO.	PART NUMBER	DESCRIPTION	QTY.
1	HCBP84	POST	4
2	HCBSwwdd	SHELF	
3	MS103	1/4-20 X 1/2" SCREW	80
4	N111	1/4-20 KEP NUT	80

REVISIONS				
ECO	REV	DESCRIPTION	DATE	BY



PART NUMBER	SHELF PART NUMBER	LENGTH "A"	WIDTH "B"
HCS361884-5	HCBS3618	36"	18"
HCS481884-5	HCBS4818	48"	18"
HCS482484-5	HCBS4824	48"	24"
HCS602484-5	HCBS6024	60"	24"
HCS722484-5	HCBS7224	72"	24"

