

# FIFO Shelving Assembly Guide

## SMS-81-SRJ1F

- All required hardware is included.
- Please check the contents with your packing slip.
- Read instructions carefully.
- Save this document for future reference.
- Two people are required for the assembly.
- **The sloped shelves must not be used with shelving over 99" in height or with mezzanines.**



### Hardware

Some of the illustrated hardware is only supplied with optional components.

1/4-20 bolts



1/4-20 bolts



1/4-20 bolts



1/4-20 nuts



Nylon clip



### Tools Required



Chalk line



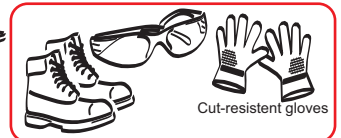
Phillips #3



7/16"



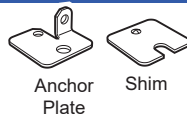
### Outils requis



Cut-resistant gloves

### Set-up

- Check the leveling of the floor in order to determine the critical areas. Use floor anchor plates and shim plates to level the shelving units.
- Make sure that no obstacle nor electrical wiring comes in contact with the structure.



Anchor Plate

Shim

1/4-20 nuts

1/4-20 bolts

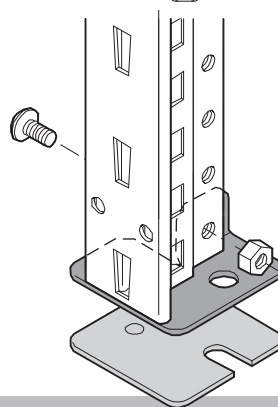
1x

1x

### Recommendation:

#### Plumbness:

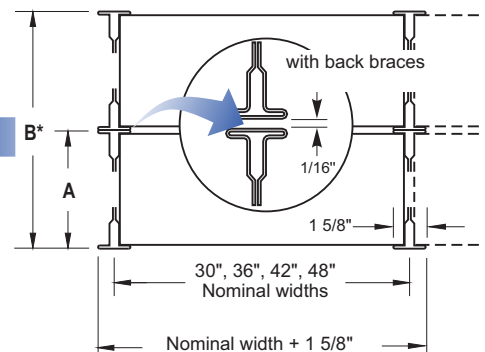
The shelving must be installed with a maximum tolerance from the vertical of 1/2" inch in 10 feet of height. Floor plates must be anchored if more than one shim is used.



### Overall Dimensions

- It is recommended to lay out shelving positions on the floor with a chalkline before beginning the installation.

		Depths	
		nominal dimension	real dim.
A	18", 24"		nominal + 1/4"
	30", 36"		nominal + 9/16"
B*	24"	with back panels	nominal + 1/2"
	30"		
	36"	with back braces	nominal + 9/16"
	48"		

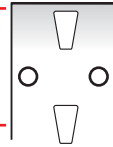
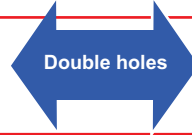
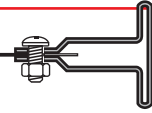




If using welded uprights, go directly to the next step.

### Upright Assembly (bolted)

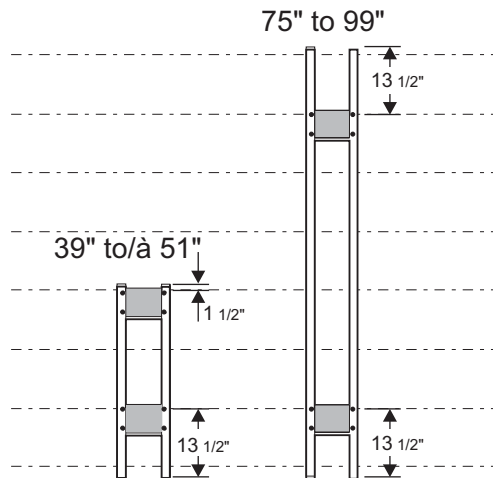
**Visual reference :** Always try to align screws with the double-holes on the front of the post.



### Uprights

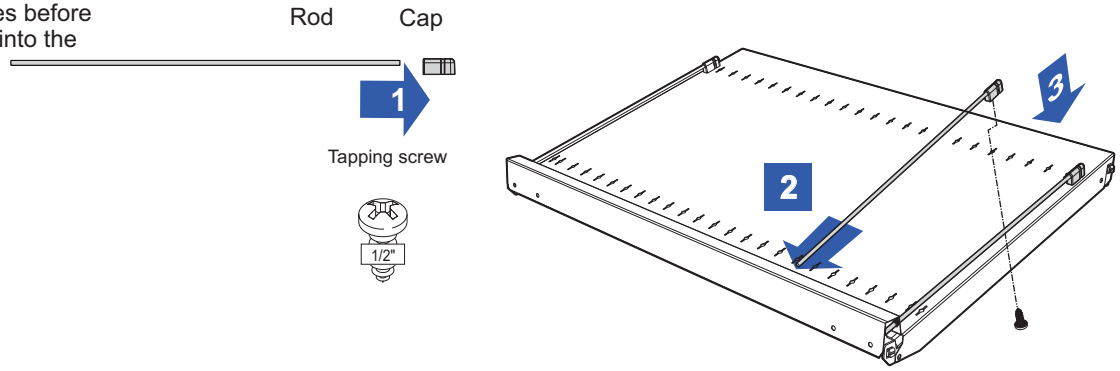


4 per brace



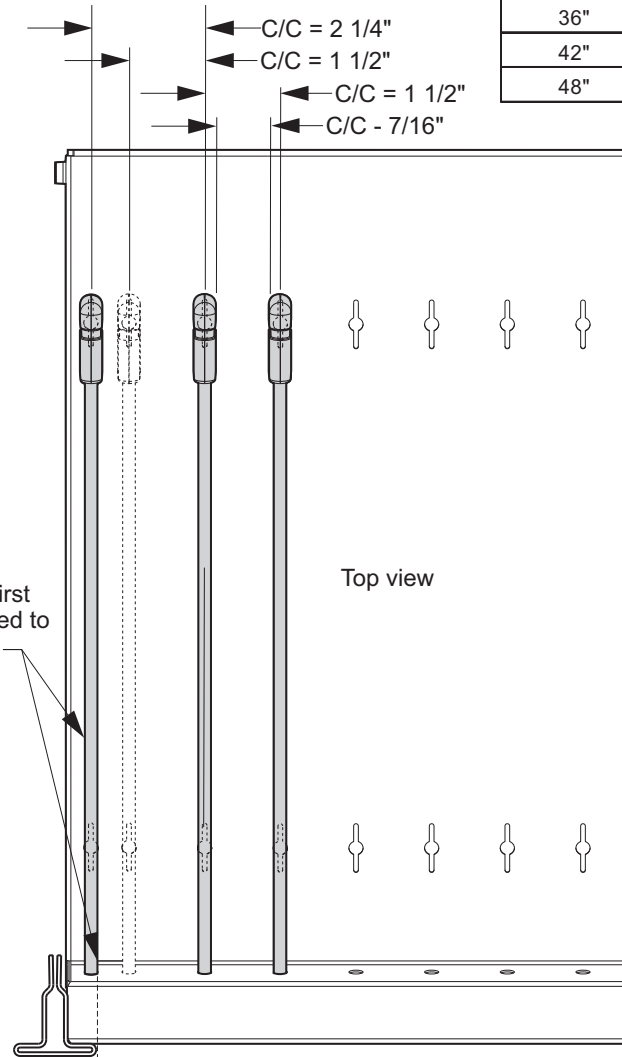
## Sloped shelf guides (optional)

Preinstall all guides before installing shelves into the shelving.



## Sloped shelf guides positions

Width	Max Nb of guides	Max Nb of spaces
30"	19	18
36"	23	22
42"	27	26
48"	31	30



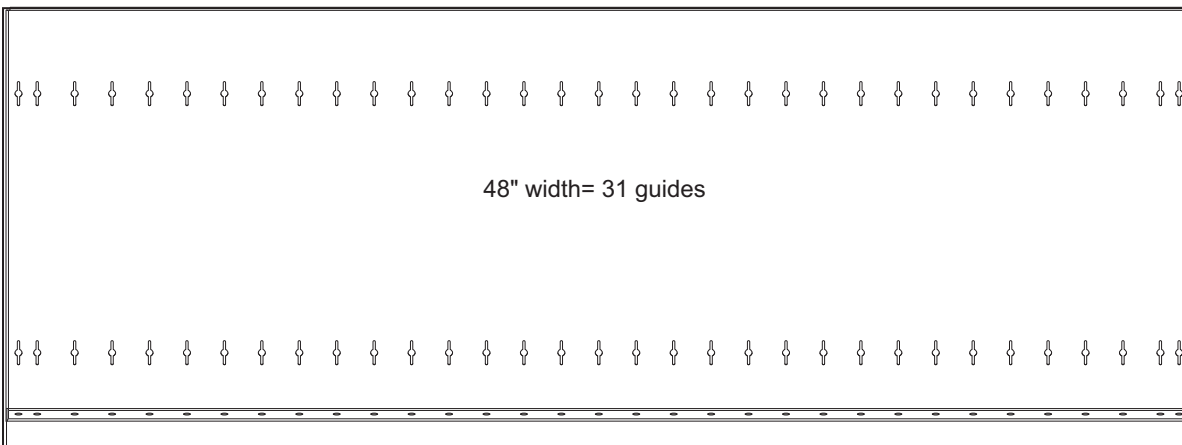
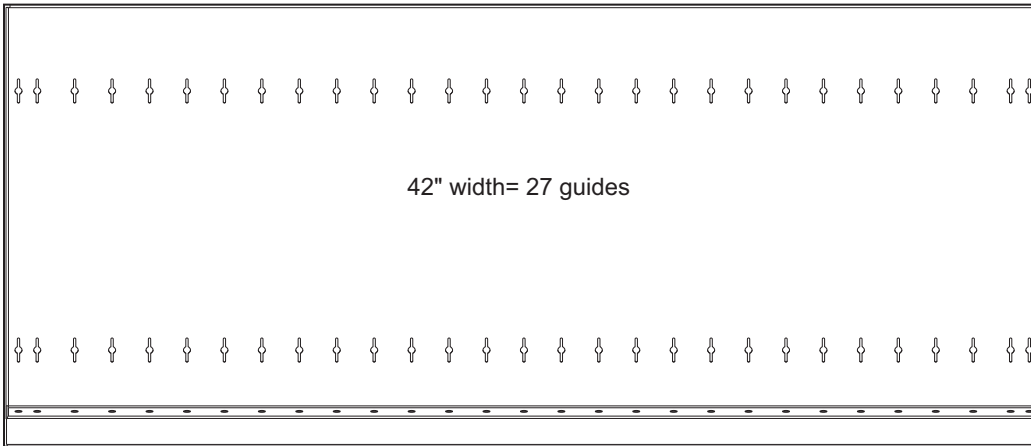
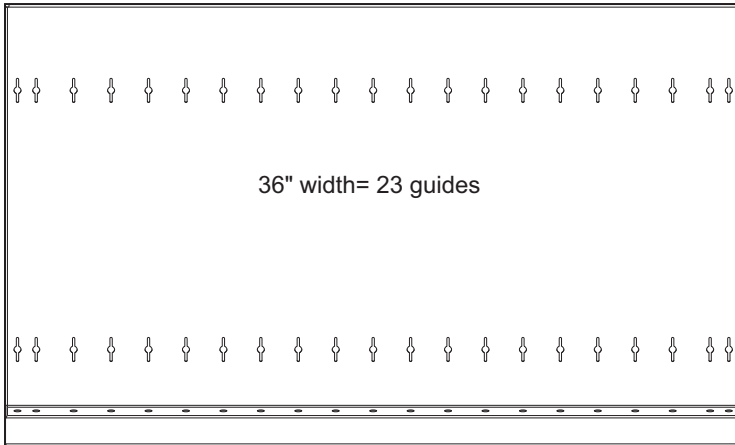
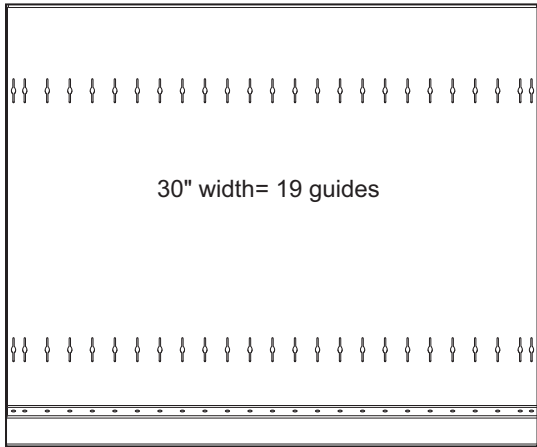
2 positions are possible for the first guide. The first position is designed to clear the post of the shelf.

You can use the illustrations at the next page to calculate/draw the positions of your shelf guides for your configuration.



**Sloped shelf guides positions (continued...)**

Top view

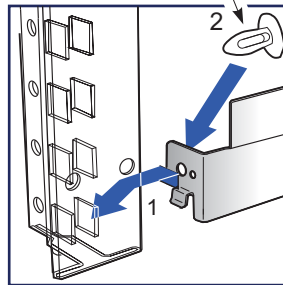


## Anchoring, base and shelves

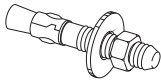
### 1 Base

If required, the front base must be installed **before** the lower shelf is put in place.

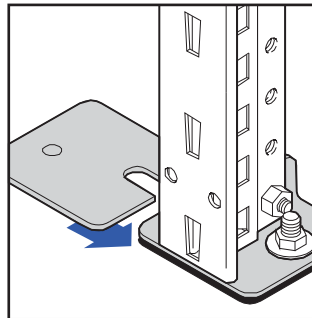
Clip non-mandatory



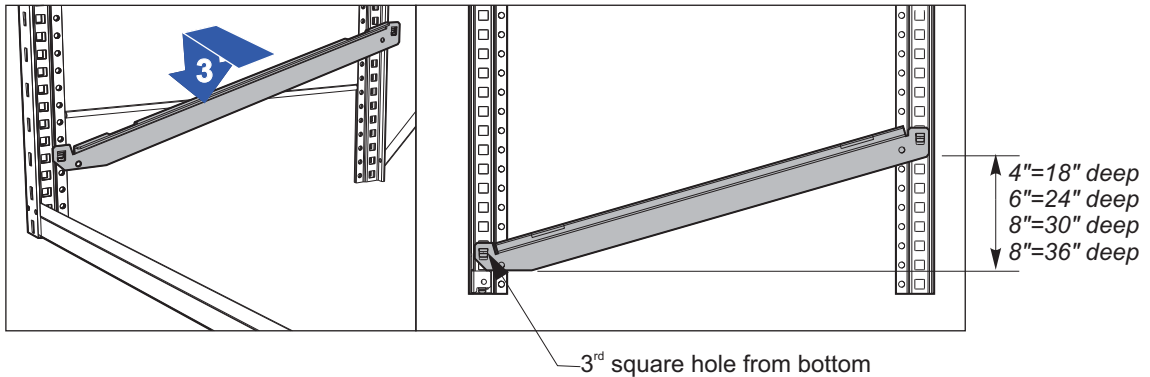
### 2 Anchoring and Leveling



Always start to install the shelves from the bottom to the top of the shelving

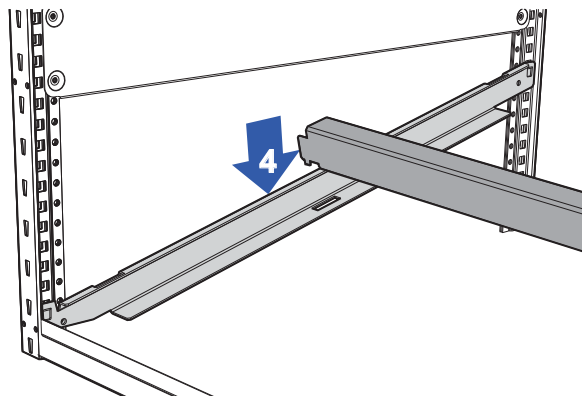


### 3 Place left and right bracket for the bottom shelf.

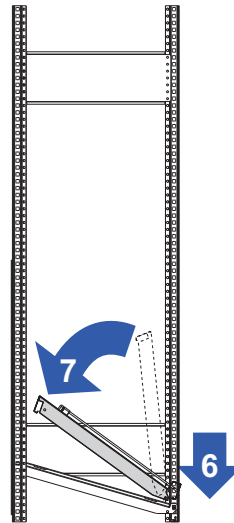
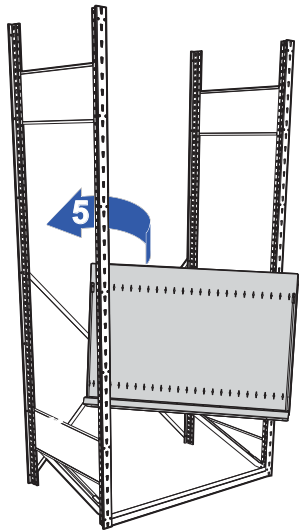


### 4 Reinforcement

30 and 36" deep shelf reinforcement. (optional)



## Anchoring, base and shelves (continued..)



Lower the front at first.

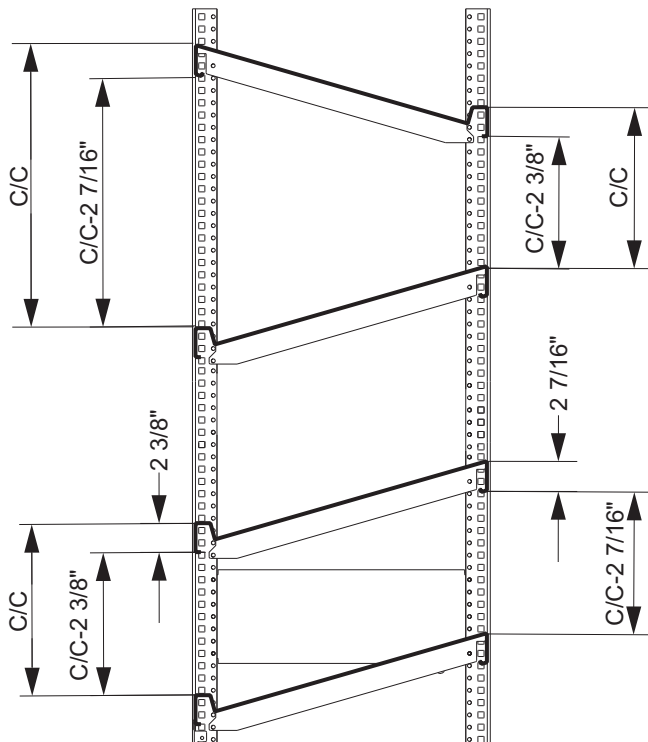
### Distance between shelves

#### 8 Second shelf

Repeat step 3 to 7 for second shelf from the bottom of the shelving.



Possible shelf adjustment of 2" in height if use with corner gussets.

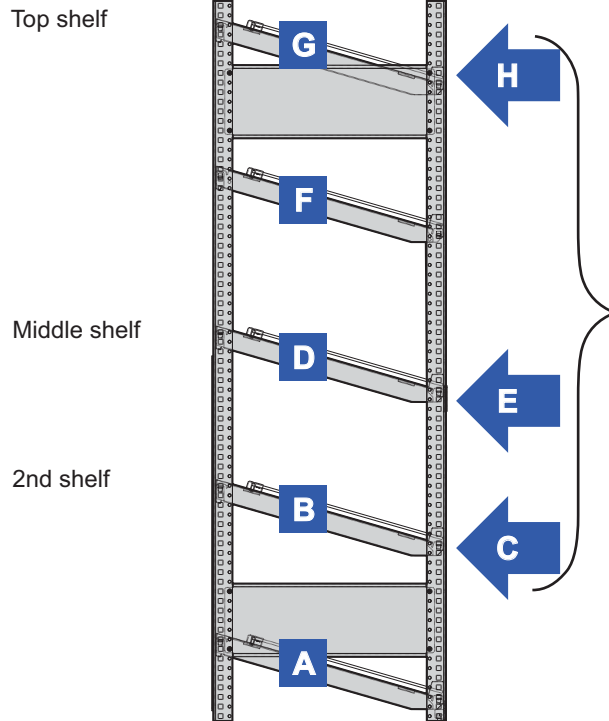
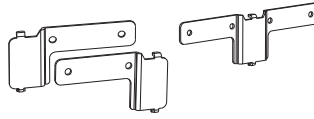


## Corner gussets

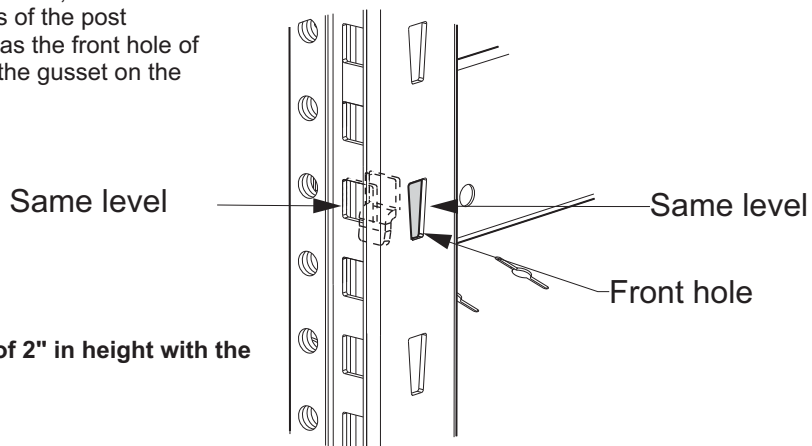


### Corner gussets:

For shelving without back sway brace or back panels, 3 kits of corner gussets must be installed. On the second, the middle, and the top shelf.



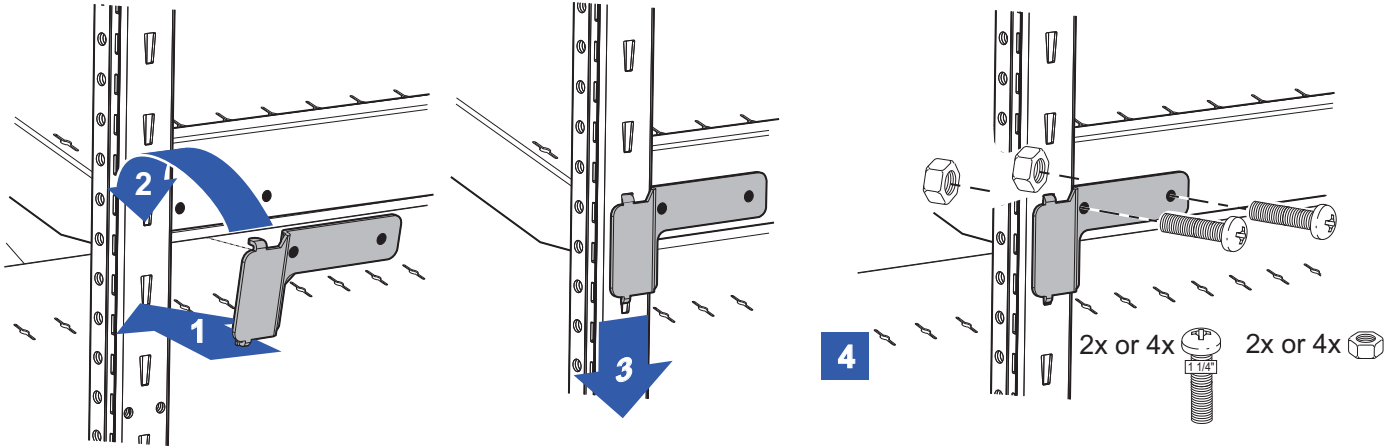
Positioning the shelf with corner gussets:  
If the shelving uses corner gussets, the shelves must be installed on the holes of the post positioning at the same level as the front hole of the post, to be able to screw the gusset on the shelf.



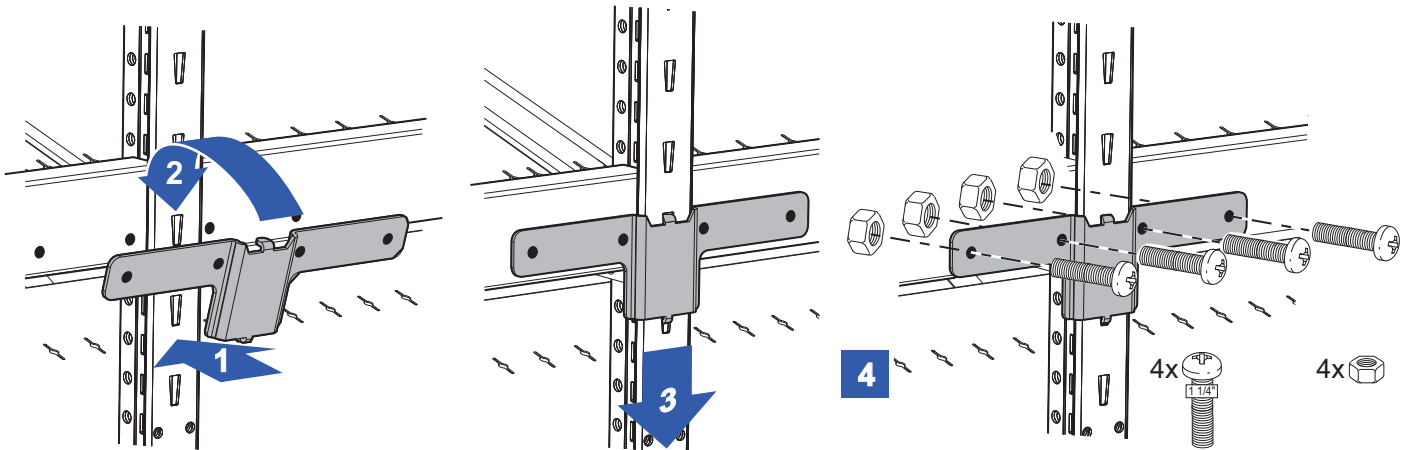
Possible shelf adjustment of 2" in height with the gussets



## Anchoring, base and shelves (continued..)



Use this gusset when the shelvings are assembly in continuously



The corner gusset are not compatible with the back-to-back shelving installations.

