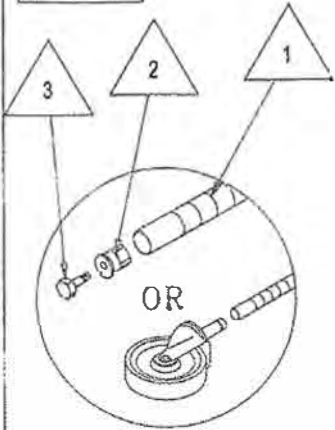





# Double Sided Bin Rack Assembly Guide

## SMS-08-V45-W7

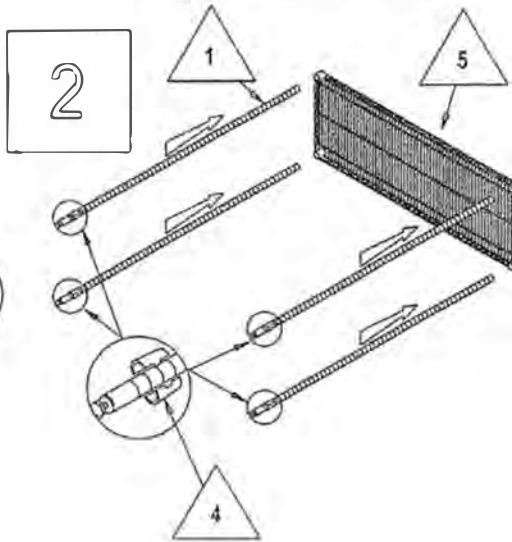
1



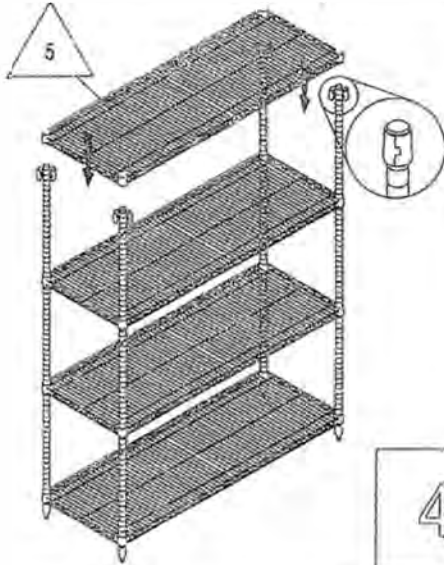
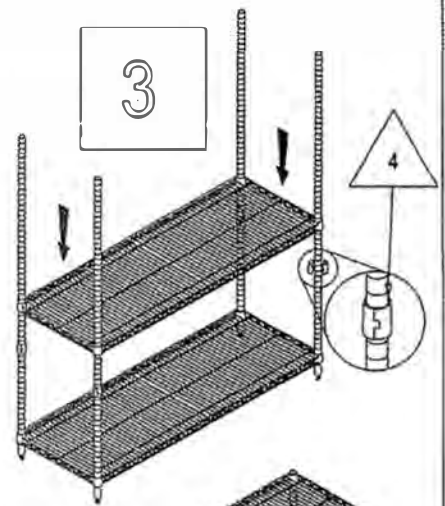
### CONTENTS

REF.	QTY.	DESCRIPTION
1	4	POST
2	4	
3	4	
4	32	
5	4	SHELF

2



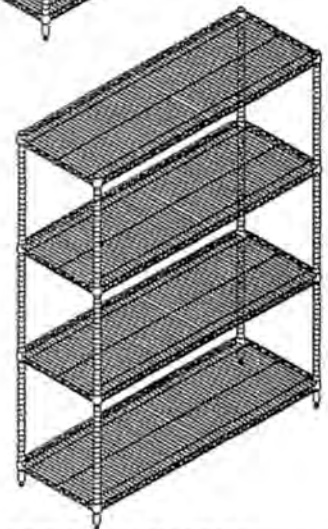
3



4

OPTIONAL LEDGE

5



OPTIONAL DIVIDER

