

Blueprint Hanging Rack Assembly Guide

SMS-122

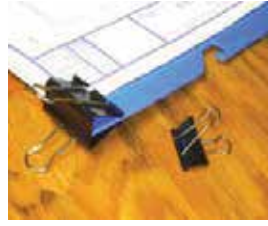
Budget Poly Hanger Instructions



1. Slip hanger between prints



2. Center hanger with edges



3. Use clips to temporarily hold



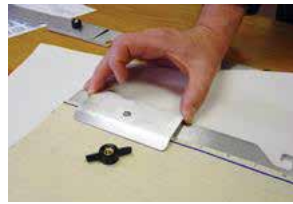
4. Staple prints to the hanger

Note: A common desk stapler with 1/4" staples is shown here and works well for most prints, however, a heavy duty adjustable stapler and longer staples are suggested because of the different thickness of your print sets. These items are readily available at your local office supply store.

Aluminum Hanger Instructions



1. Line prints up with the posts.



2. Place aluminum posi-grip clamp on post.



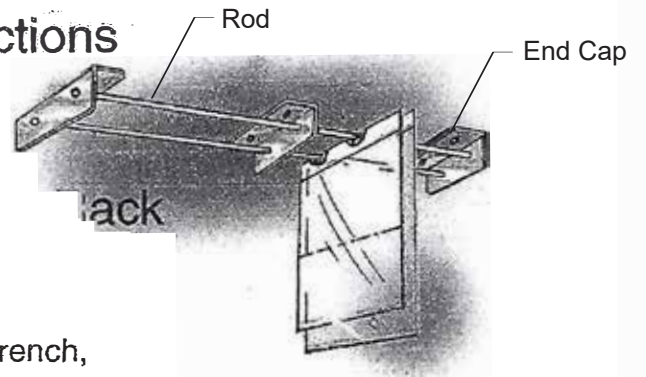
3. Install and tighten knob on post. *
Caution: Do not over-tighten knobs.



4. Complete by hanging up the blueprint file.



Shelf Conversion Rack Assembly Instructions



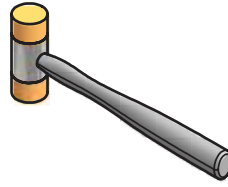
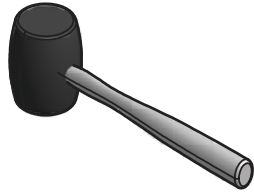
Tools Needed

1/4" Drill , Screw Driver, 7/16"Wrench,
Pencil

- Place 2 End Caps on the floor with the open side up. Then push 2 Rods in the Caps until seated flat.
- Thread the Rods through the Aluminum brackets like in the photos above and tap the other 2 End Caps on the other end of the Rods until seated.
- Locate the rack final position and mark the holes in the brackets with a pencil and drill.
- Assemble the screws and nuts, tighten, and you are done.

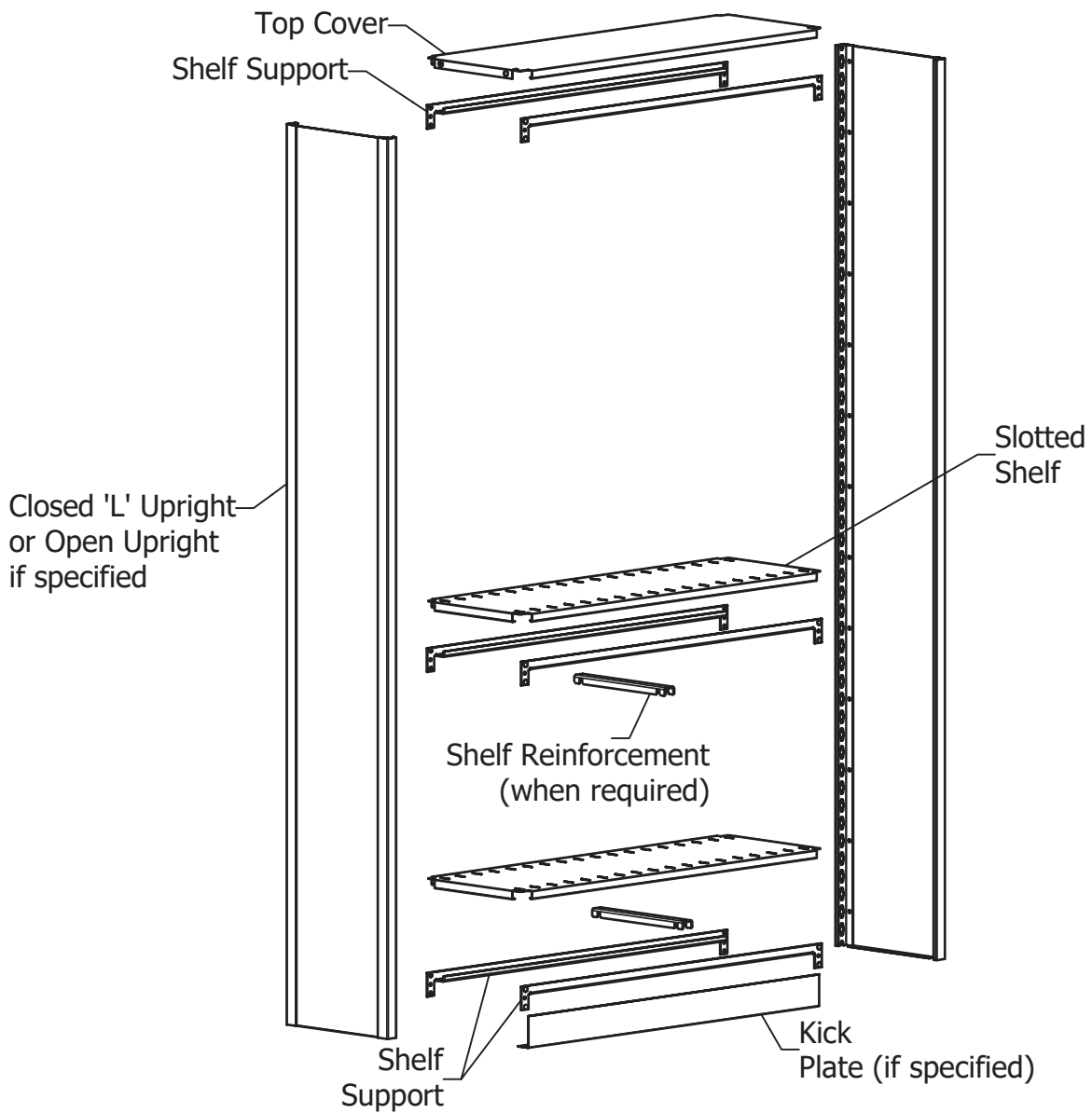


TOOLS REQUIRED FOR ASSEMBLY



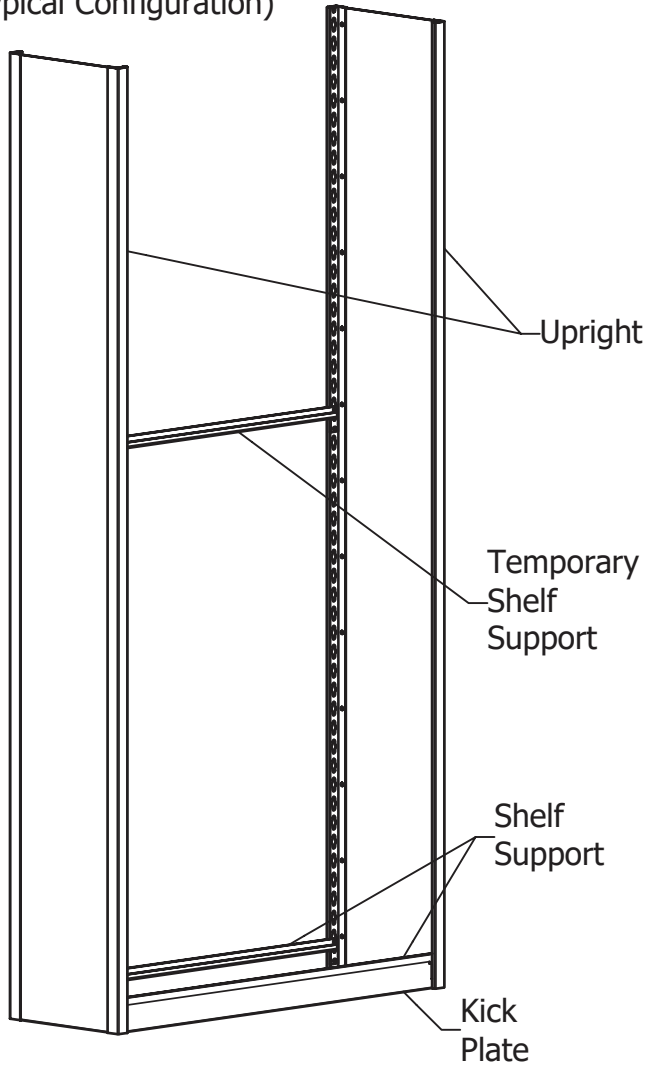
Rubber Mallet or Plastic Tip Hammer

PARTS REQUIRED FOR SHELVING ASSEMBLY



2" Kick Plate
(Typical Configuration)

Figure A



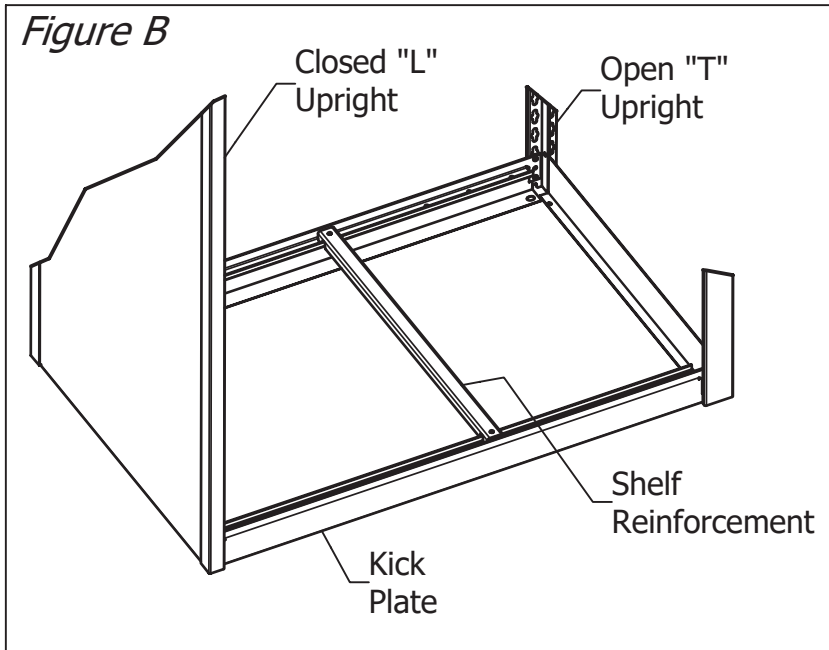
Step 1:

Temporarily mount a shelf support at chest height to hold uprights in position (see Figure A). Rivets of shelf support fit into keyholes on uprights. Use a rubber mallet or plastic tip hammer to tap shelf support into bottom of keyholes.

Step 2:

Bottom components will be assembled as shown.

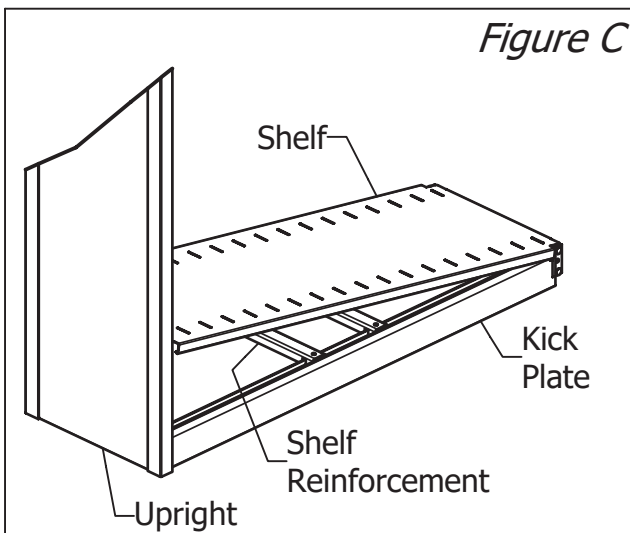




Step 3:

Install shelf reinforcements as shown in Figure B. See table for number of reinforcements per shelf.

Typical Shelf Reinforcements	
Depth of Shelving	No. of Reinforcements
12"	None
15"	None
18")	Two
24"	One
30"	Two
36"	Two
up to 36"	Two
42"	Three
48"	Four



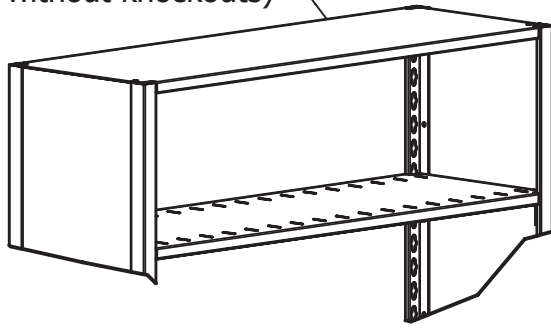
Step 4:

Install shelf by tilting as shown in Figure C (kick plate configuration shown). Shelf should then lie flat on shelf support and shelf reinforcement.



Top Cover (shown
without knockouts)

Figure D



Step 5:

Install top cover the same way shelves were installed. Shelf supports for top cover should be positioned in the top two most keyholes.

Note:

Top shelf may not require shelf reinforcements.

