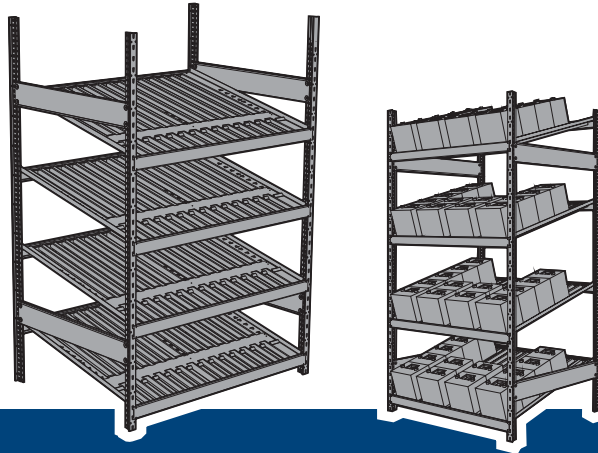


Battery Storage Rack Assembly Guide

SMS-08-V81-SRP04**

- Please check the contents with your packing slip.
- Read instructions carefully.
- Save this document for future reference.
- Two people are required for the assembly.



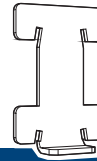
Hardware

1/4-20 bolts

1/4-20 nuts

Security clips

Post spacer



(For back-to-back units)

Tools Required



Cut-resistant gloves

Setup

- Check the leveling of the floor in order to determine the critical areas. Use floor anchor plates and shim plates to level the shelving units. Make sure that no obstacle or electrical wiring comes in contact with the structure.



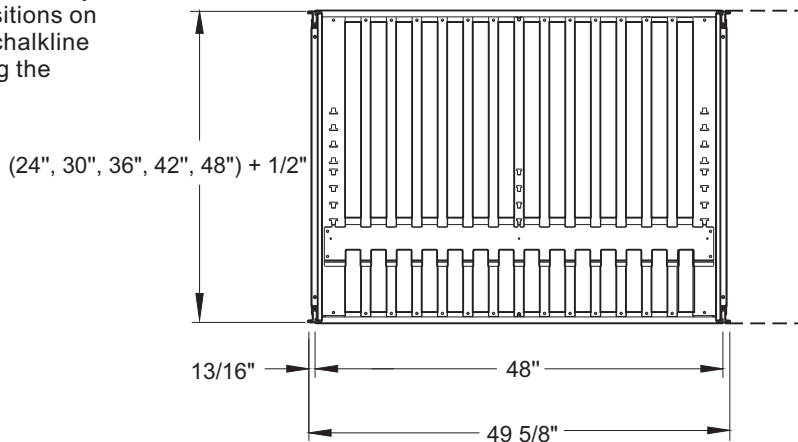
Anchor Plate



Shim Plate

Overall Dimensions

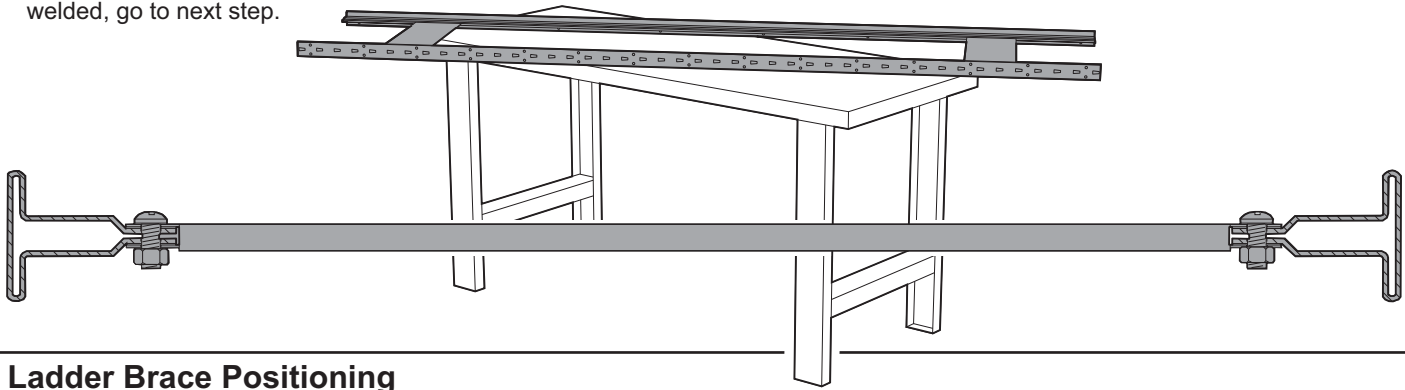
- It is recommended to lay out shelving positions on the floor with a chalkline before beginning the installation.





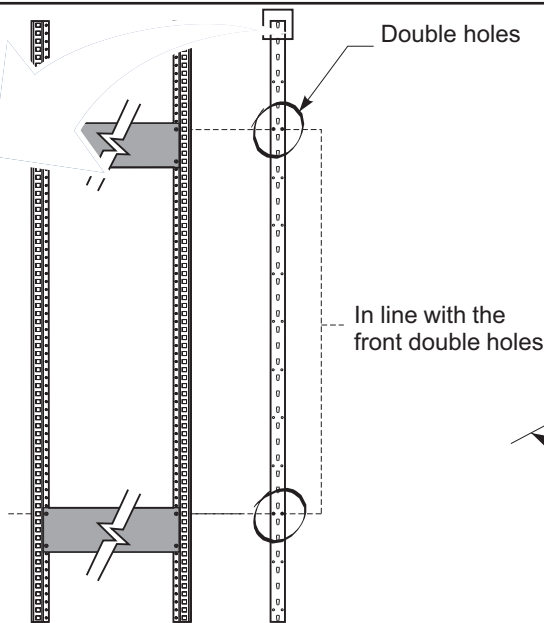
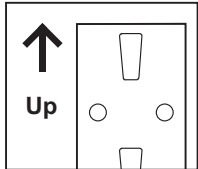
Upright Assembly

! If your uprights are welded, go to next step.

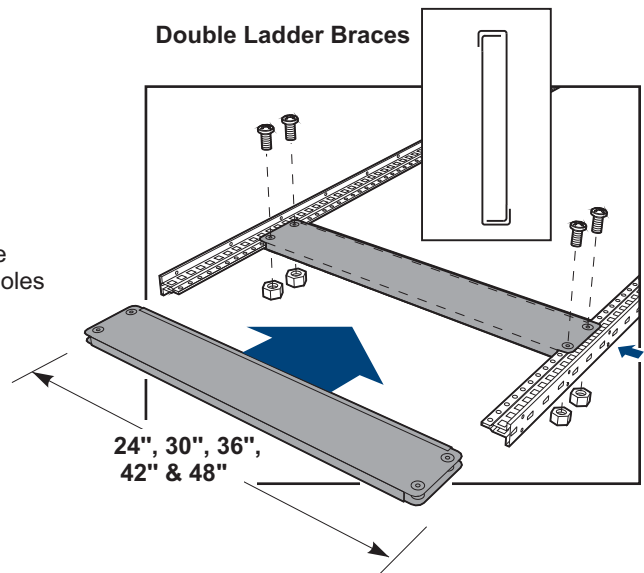


Ladder Brace Positioning

• Place bolts as shown.

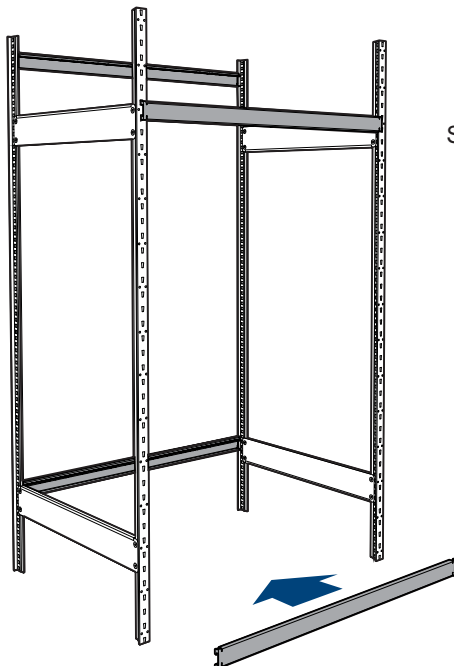


Double Ladder Braces

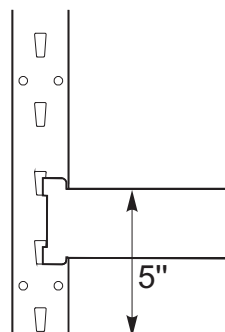


Beam Assembly

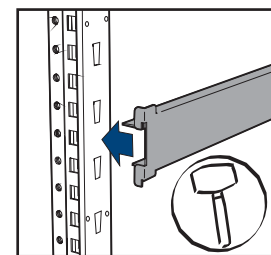
Hold the uprights vertically and hook the beams onto the posts.



Start with the upper and lower beams.



Position the lower beams according to the drawing at right.





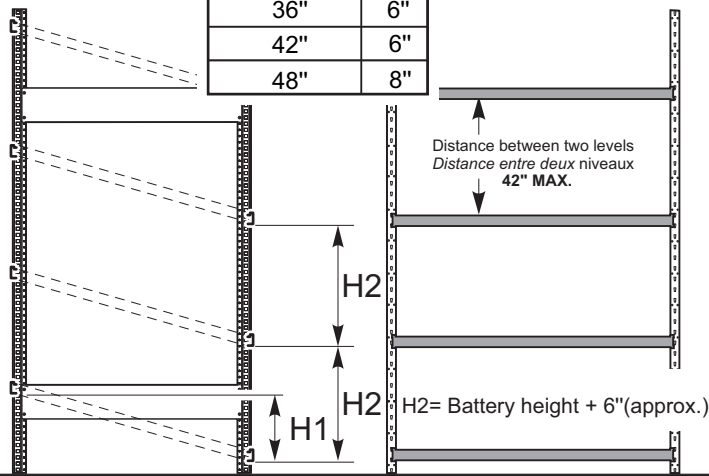
Possible Beam Configurations

Depth / Prof.	H1
24"	4"
30"	6"
36"	6"
42"	6"
48"	8"

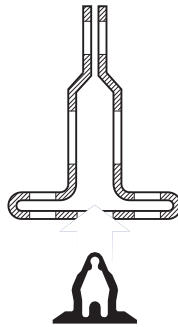
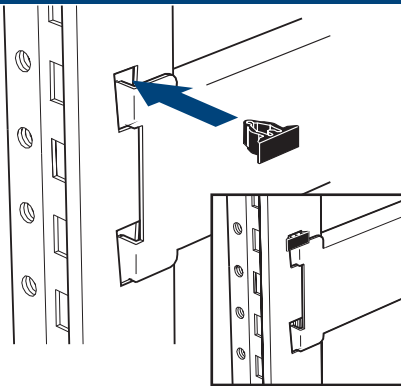
Position the beams according to the following guidelines.

4 levels maximum per shelving unit.

If the first beams are positioned higher than 5" from the ground, the posts **must** be anchored to the floor.

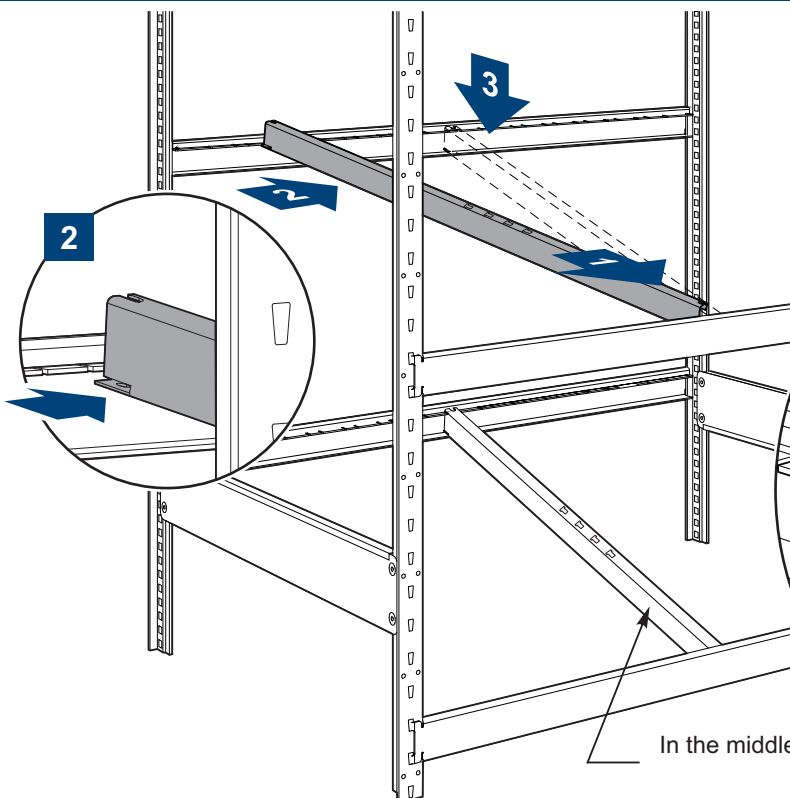


Security Clip



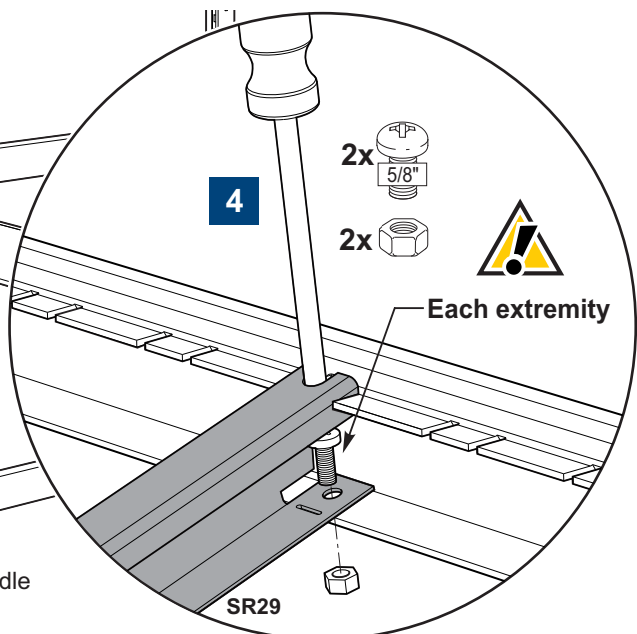
IMPORTANT !
The security clip is mandatory at each extremity (above) the beams.

Bolted Tie Bar Assembly (middle)



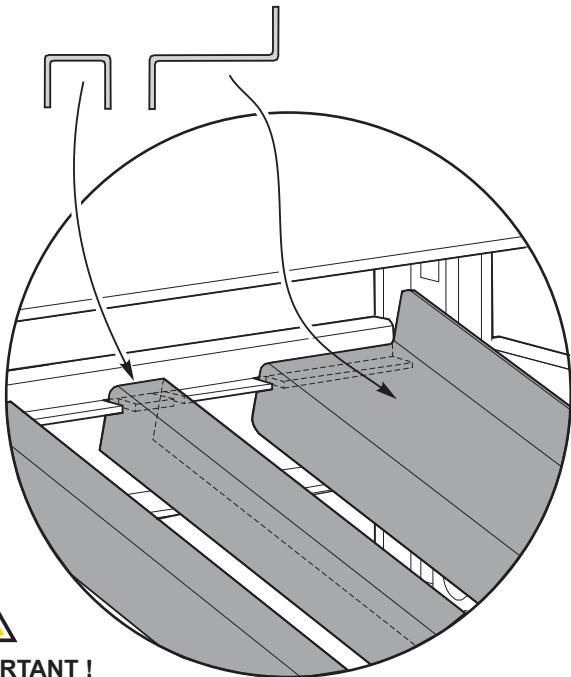
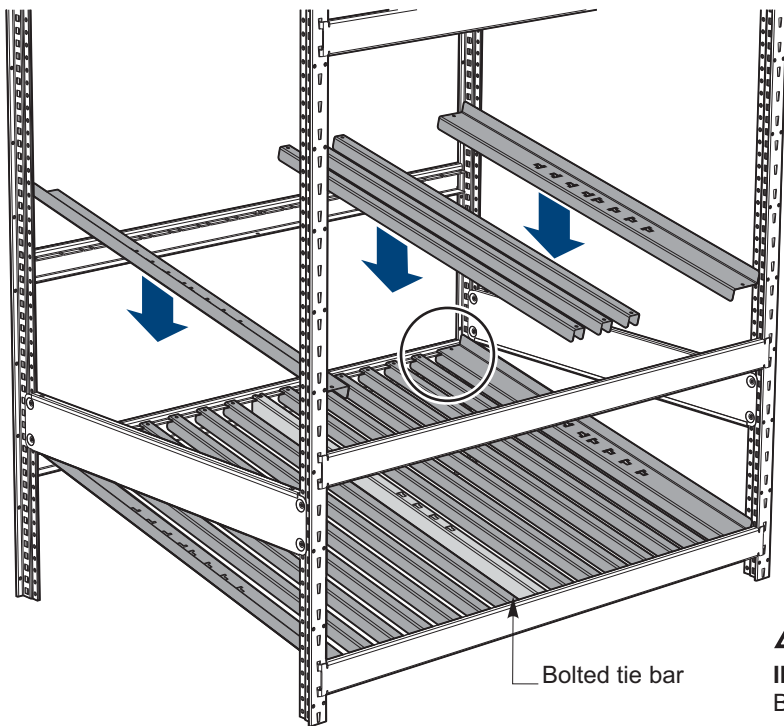
VERY IMPORTANT!

1 bolted tie bar required per level



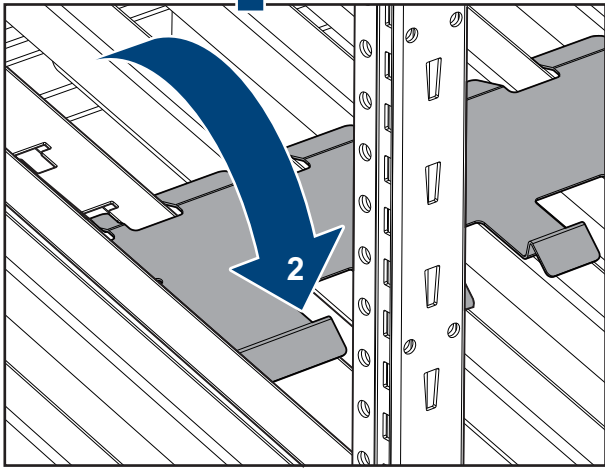
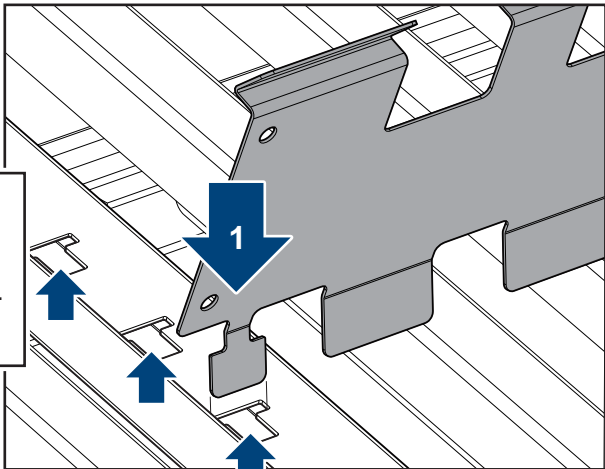
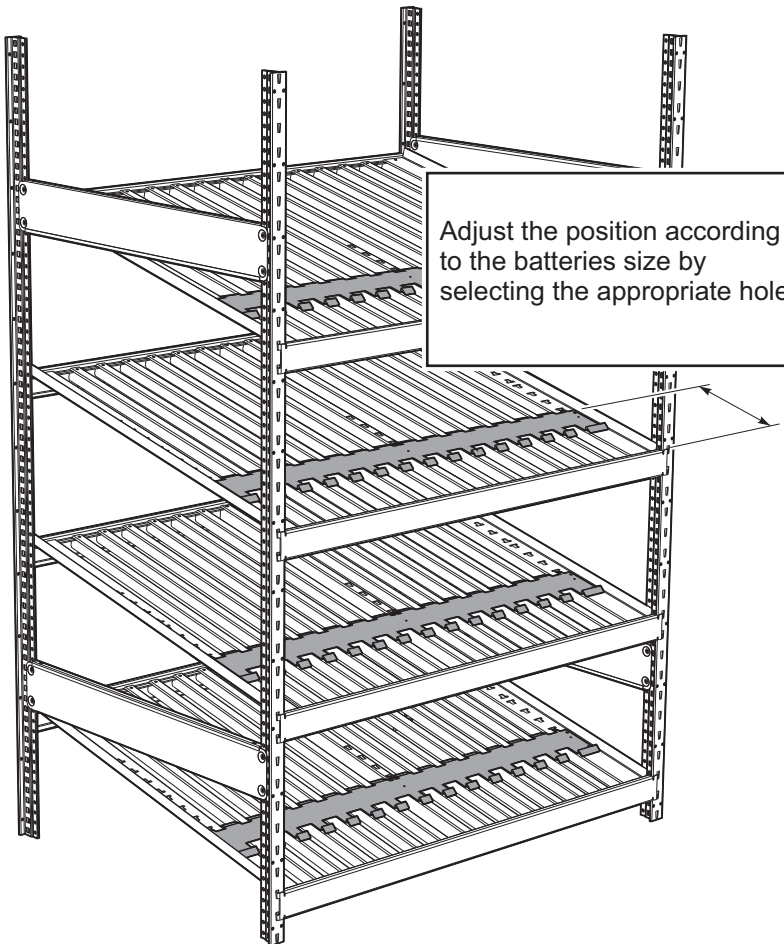


Heavy-Duty Tie Bar & Guide Assembly



IMPORTANT !
Be sure to have 1 bolted tie bar per level

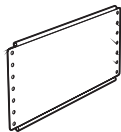
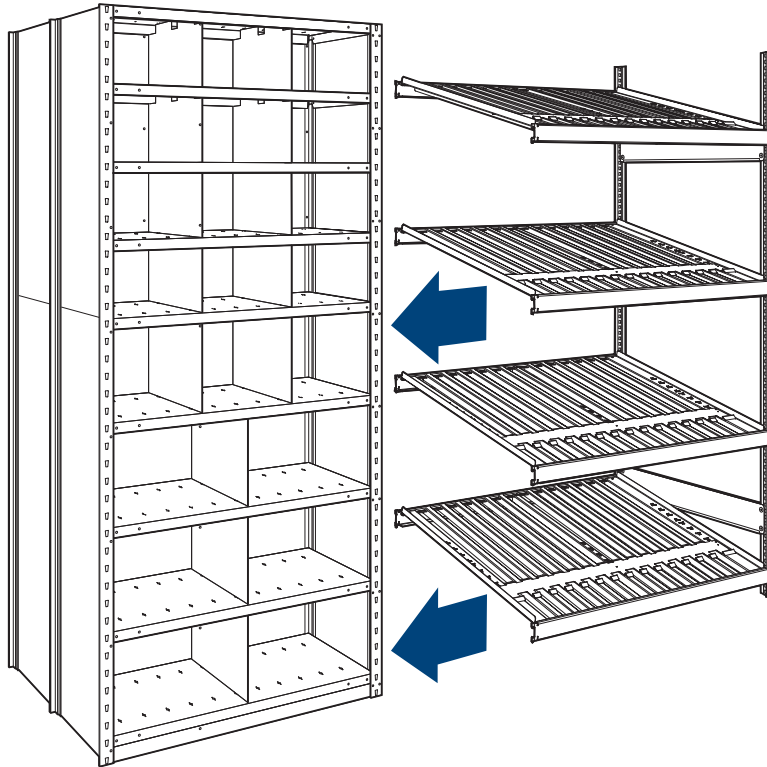
Stopper plate for batteries





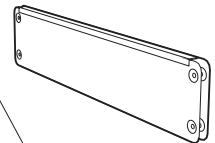
Combinations of Back-to-Back Shelving + Battery Rack

- First assemble shelving units.
- Always add the battery rack to shelving units.



Double deep racking side brace as shown

Shelving panel or side braces



A	B
12" + 12"	24"
18" + 18"	36"
24" + 24"	48"

