

# Prisoner Restraint Bench Assembly Guide

## SMS-07-V53-PB

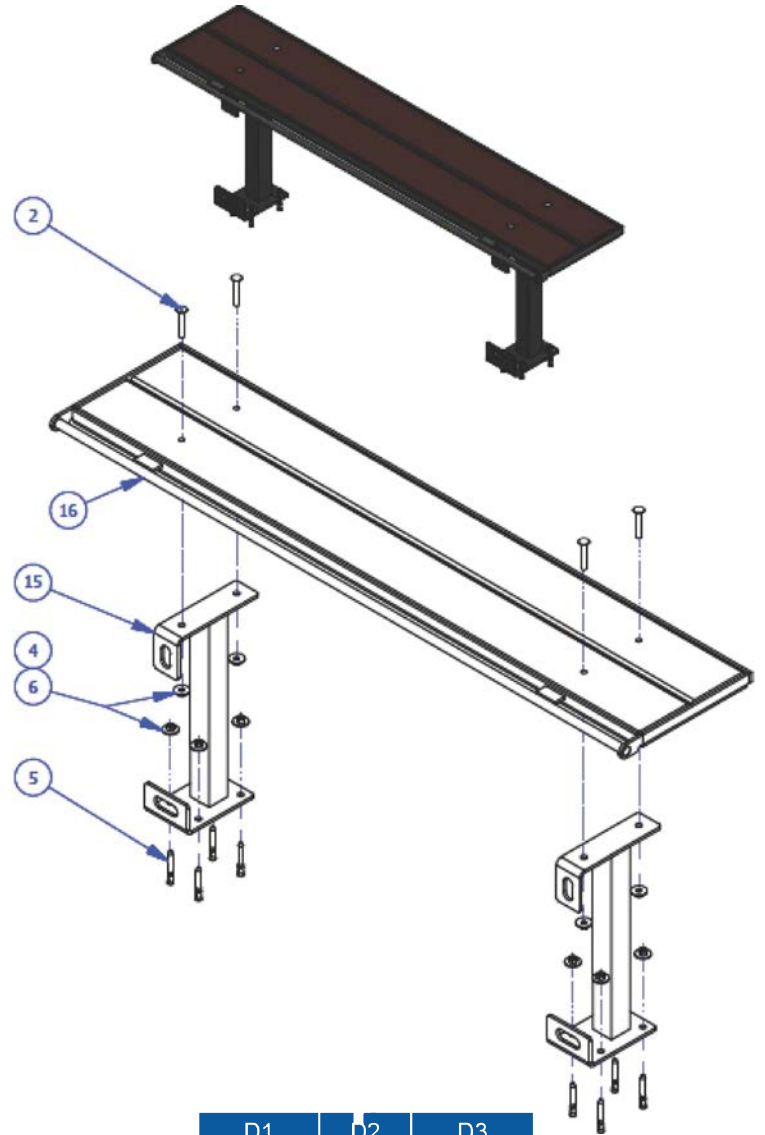
### Prisoner Bench Without a Back

#### Prisoner Bench Assembly

- Attach pedestals (legs) by aligning holes on top of pedestal with the bolt holes in the bench.
- The restraint slots in the pedestals should be on the same side as the handcuff rail.
- Insert the 3/8 x 2 1/2 carriage bolts into the bench and attach the washers and nuts to the bottom.

#### Prisoner Bench Floor Mounting

- On concrete floors, attach pedestals with the 3/8 x 3 wedge anchors.
- On wood floors, attach pedestals with the 3/8 x 4 lag screws(non included)



### Parts List

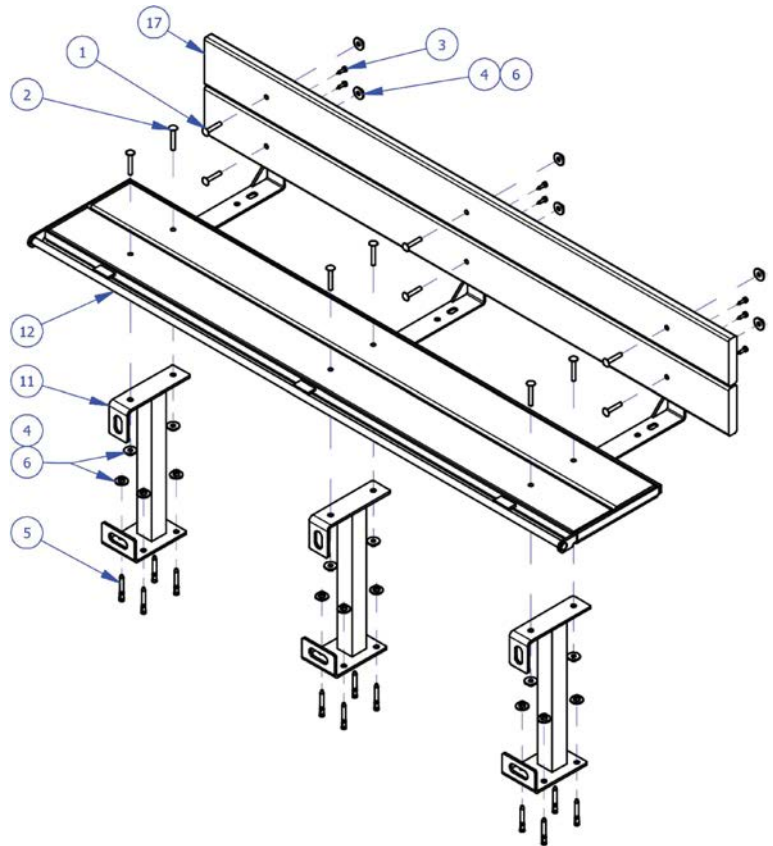
Item	Qty	Title	D1	D2	D3
2	4	Fastener, Carriage Bolt, Grade 5, Zinc, 3/8-16 UNC, 2.50" Long	0.375 in	2.500	
3	10	Fastener, Hex Head Lag Screw, 1/4" x 1.0 Long	0.250 in	1.000	
4	12	Fastener, Hex Nut, Grade 5, Zinc Plated, 3/8-16 UNC	0.375 in		
5	8	Fastener, Wedge Anchor, Grade 5, Zinc Plated, 3/8-16 UNC, 3" Long	0.375 in	3.000	
6	12	Fastener, Washer, Flat, SAE, Zinc Plated, 3/8	0.375 in		
9	2	PB, Slat, 5/4			
15	2	PB, Asm, Pedestal, Std			
16	1	PB, Asm, Slats,			



## Prisoner Bench With a Back

### Prisoner Bench Assembly

- Attach pedestals (legs) by aligning holes on top of pedestal with the bolt holes in the bench.
- The restraint slots in the pedestals should be on the same side as the handcuff rail.
- Insert the 3/8 x 2 1/2 carriage bolts without attaching the nuts into the bench from the top to keep the bench and legs aligned.
- Attaching the left side back rest bracket
  - Pull out the carriage bolts from left side of the bench
  - Lift the bench slightly and slide the back rest bracket under it.
  - Align the holes and reinsert the carriage bolts through all.
  - Attach the washers and nuts to the bottom, but do not tighten.
- Attaching the right side back rest bracket
  - Pull out the carriage bolts from right side of the bench
  - Lift the bench slightly and slide the back rest bracket under it.
  - Align the holes and reinsert the carriage bolts through all
  - Attach the washers and nuts to the bottom.
  - Tighten all the nuts with washers at the bottom of the bench.

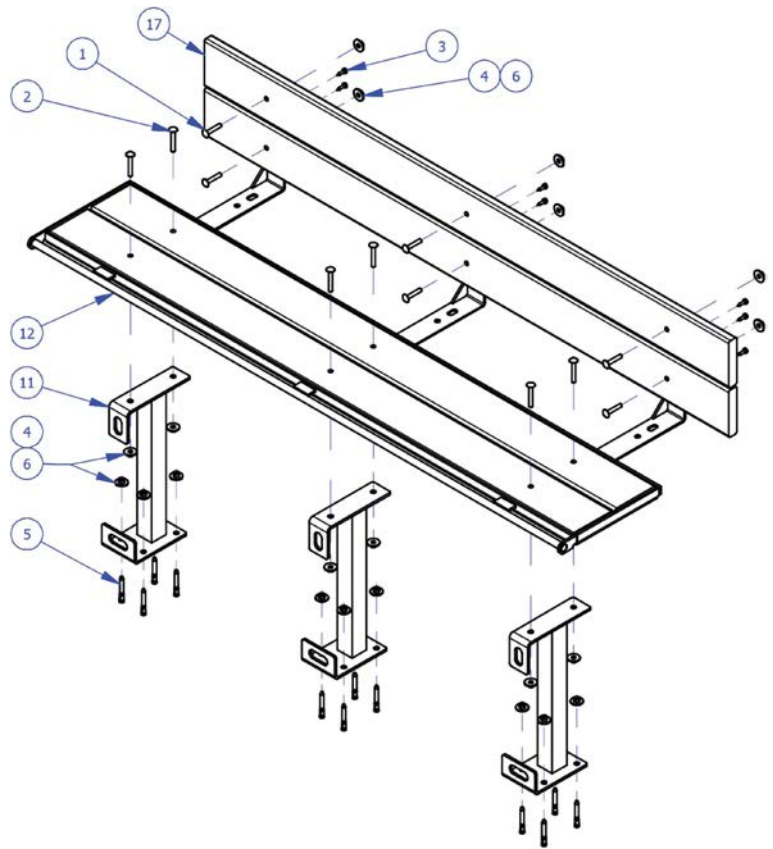


## Prisoner Bench With a Back (Cont.)

- Attach the slats to the back rest bracket with the 3/8 x 2 carriage bolts.
- Tighten all the nuts with washers at the back rest bracket.
- Secure the slats with the six 1/4 x 1 lug screws using the smaller holes in the back rest bracket.

### Prisoner Bench Floor Mounting

- On concrete floors, attach pedestals with the included 3/8 x 3 wedge anchors.
- On wood floors, attach pedestals with the 3/8 x 4 lag screws (Not included).



## Parts List

Item	Qty	Title	D1	D2	D3
1	6	Fastener, Carriage Bolt, Grade 5, Zinc, 3/8-16 UNC, 2.00" Long	0.375 in	2.000 in	
2	6	Fastener, Carriage Bolt, Grade 5, Zinc, 3/8-16 UNC, 2.50" Long	0.375 in	2.500 in	
3	19	Fastener, Hex Head Lag Bolt, 1/4" x 1.0 Long	0.250 in	1.000 in	
4	24	Fastener, Hex Nut, Grade 5, Zinc Plated, 3/8-16 UNC	0.375 in		
6	24	Fastener, Washer, Flat, SAE, Zinc Plated, 3/8	0.375 in		
5	12	Fastener, Wedge Anchor, Grade 5, Zinc Plated, 3/8-16 UNC, 3" Long	0.375 in	3.000 in	
9	3	PB, Asm, Back Rest Bracket, Std			
11	3	PB, Asm, Pedestal, Std			
12	1	PB, Asm, Slats			
17	4	PB, Slat, 5/4			

