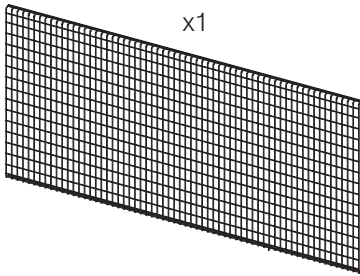


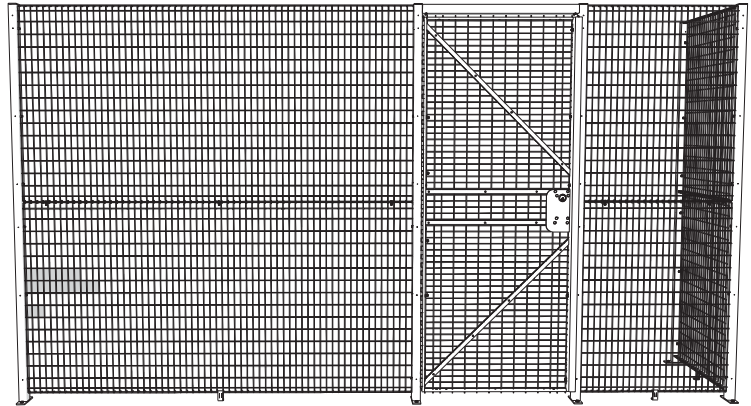
# Galvanized Security Fencing Assembly Guide

## SMS-07-V41-FG

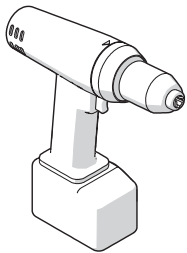
### PARTS PROVIDED:



WELDED WIRE PANEL  
(VARIOUS SIZES)



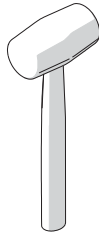
### TOOLS REQUIRED:



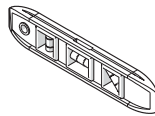
ELECTRIC DRILL



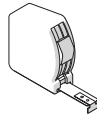
Ø 5/16" & Ø 3/8"  
MASONRY BIT



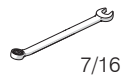
MALLET



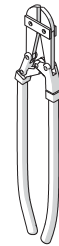
LEVEL



MEASURING  
TAPE



OPEN END  
WRENCH

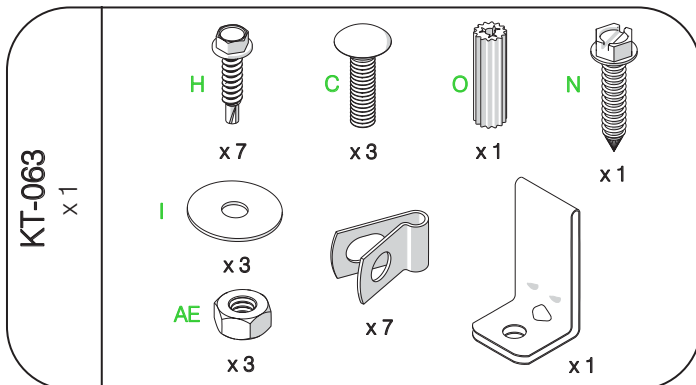


WIRE CUTTERS



LADDER

### HARDWARE PROVIDED:

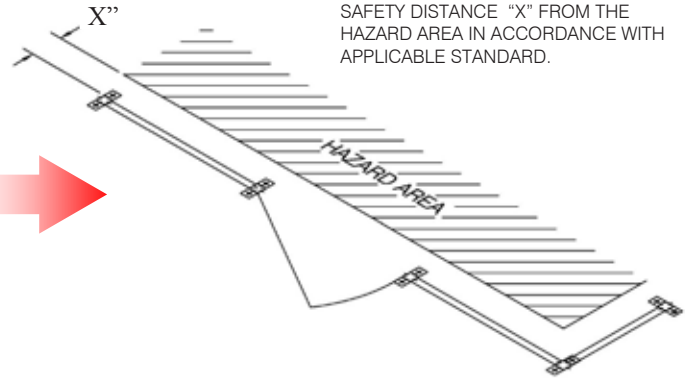
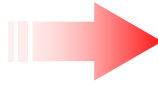
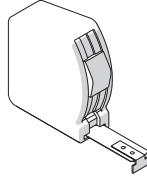
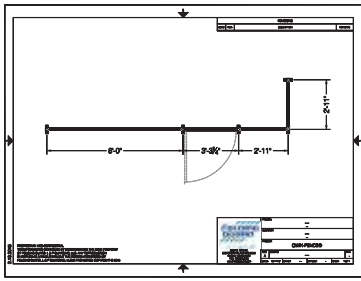


### HARDWARE LIST:

- (C) 1/4"-20 x 1" SQUARE NECK CARRIAGE BOLT
- (H) #12-14 x 1" HEX HEAD SELF-DRILLING SCREW
- (I) 1/4" FLAT WASHER
- (N) #14-10 x 1-1/4" SLOTTED HEX HEAD SMS
- (O) #14 x 1" TUBULAR PLASTIC ANCHOR
- (P) 3/8" x 3-3/4" WEDGE ANCHOR
- (AE) 1/4"-20 HEX NUT

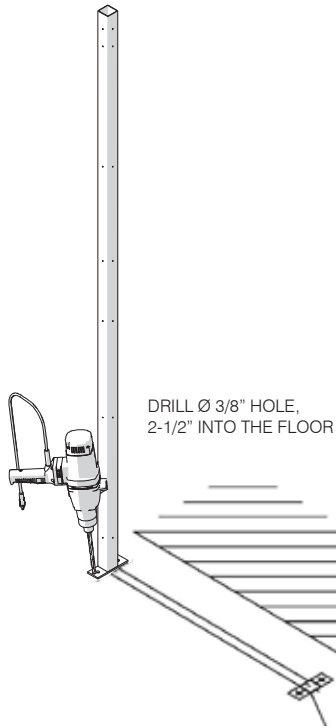


1



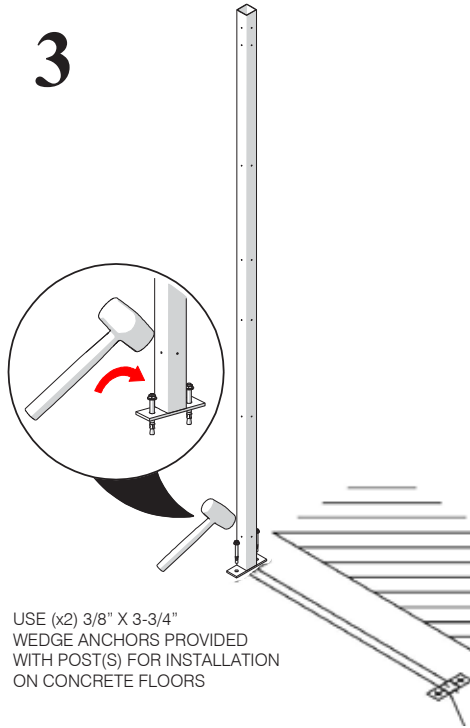
SAFETY DISTANCE "X" FROM THE HAZARD AREA IN ACCORDANCE WITH APPLICABLE STANDARD.

2



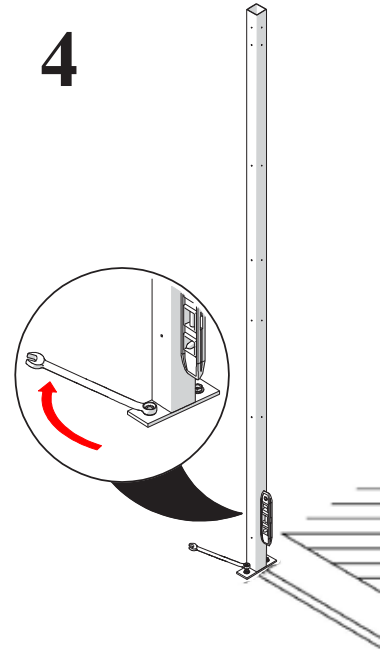
DRILL  $\varnothing$  3/8" HOLE, 2-1/2" INTO THE FLOOR

3

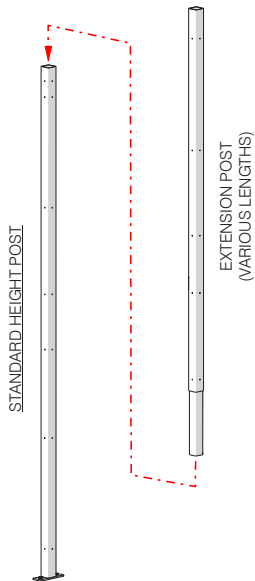


USE (x2) 3/8" X 3-3/4" WEDGE ANCHORS PROVIDED WITH POST(S) FOR INSTALLATION ON CONCRETE FLOORS

4

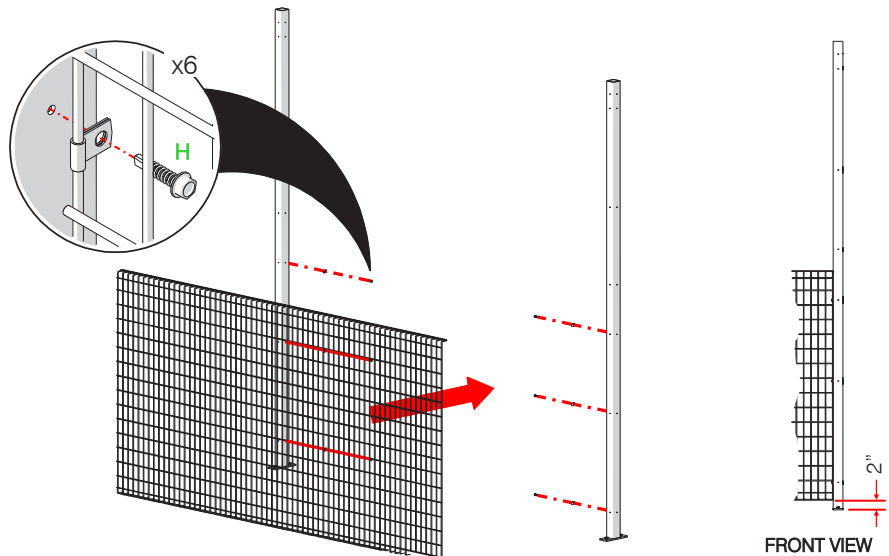


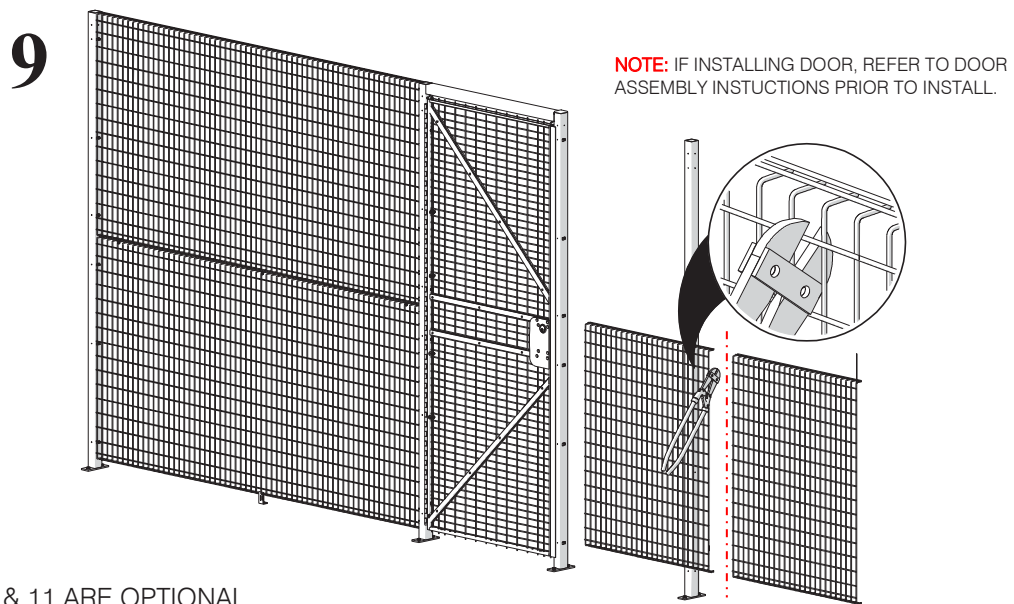
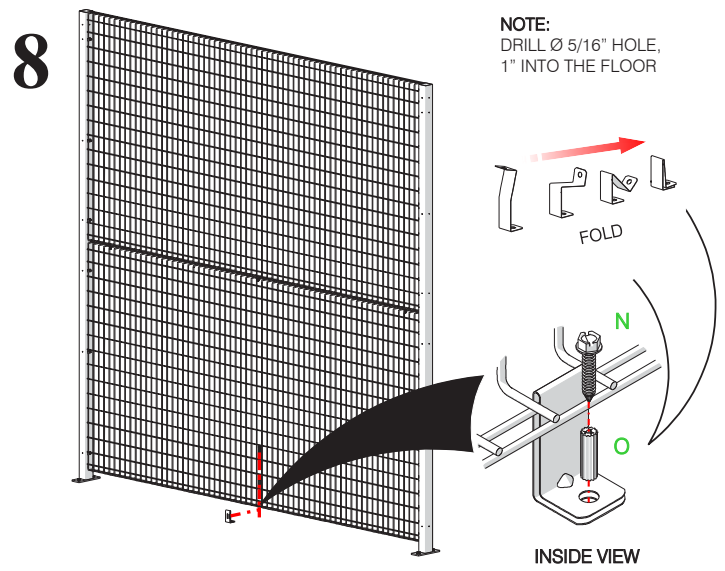
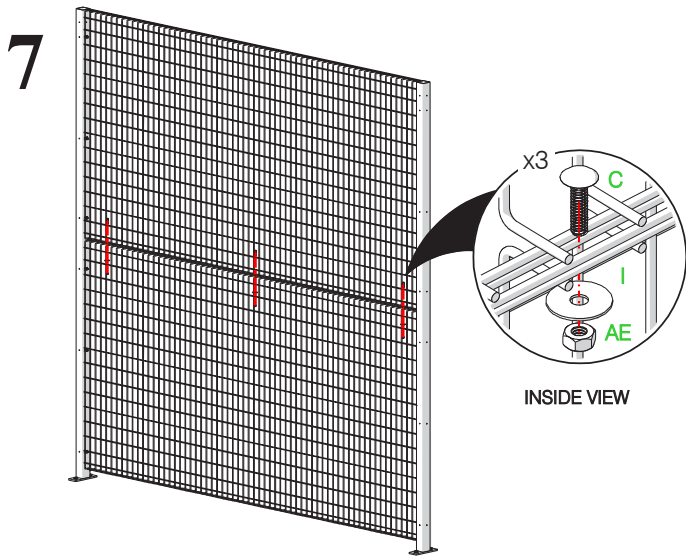
5



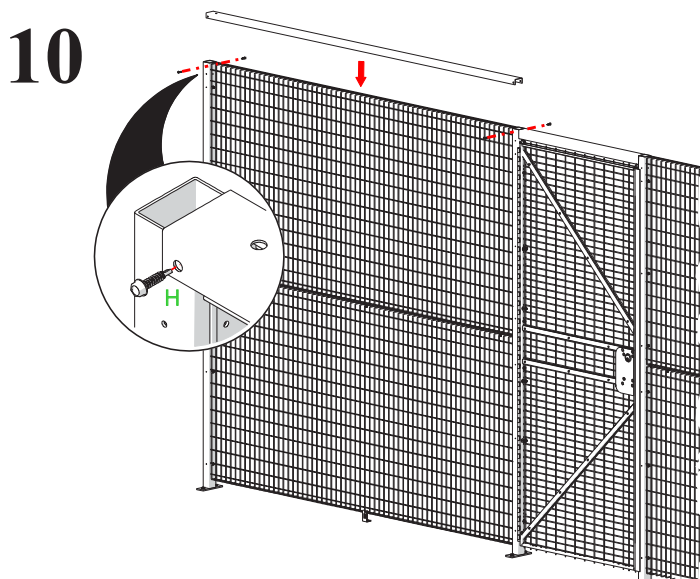
NOTE: STEP 5 IS FOR PARTITION TALLER THAN 8'-0" HIGH ONLY

6

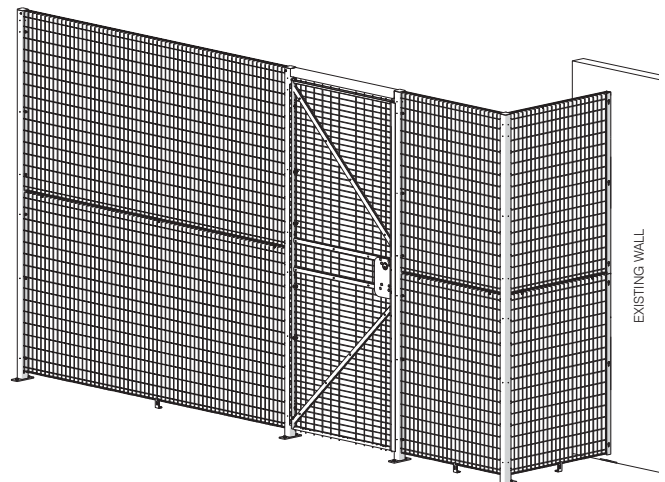




NOTE: STEPS 10 & 11 ARE OPTIONAL

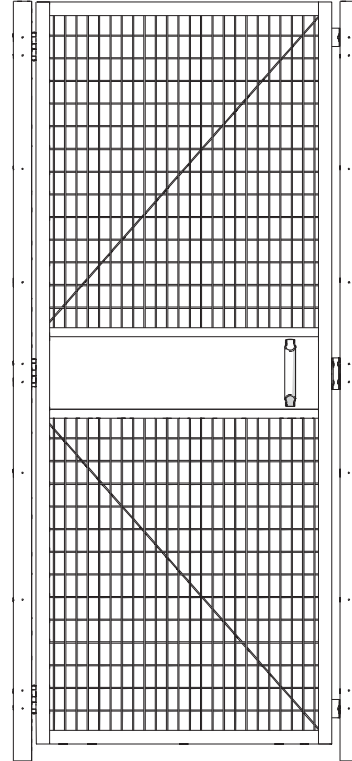
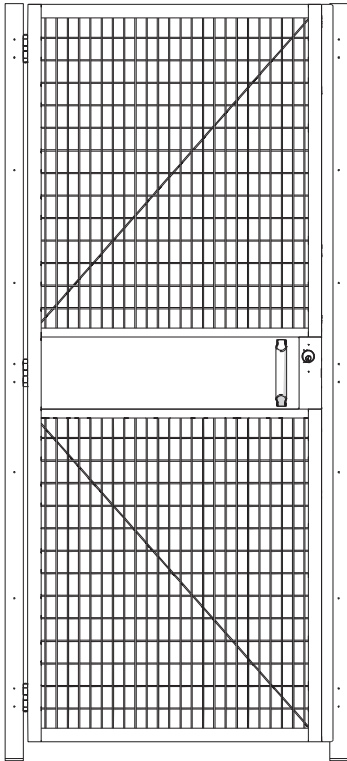


**11** IF INSTALLING TO A WALL, A QWIK-FENCE WALL KIT IS REQUIRED (SEE INSTRUCTION SHEET FGI-316)

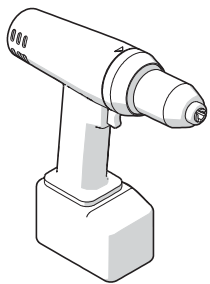


# Single Hinged Door

Snap Lock, Pad Lock, & Cylinder Lock  
Installation Instructions



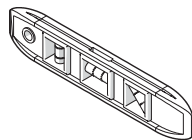
## TOOLS REQUIRED:



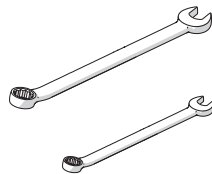
BATTERY DRILL



+



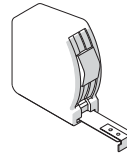
LEVEL



9/16"  
[15mm]

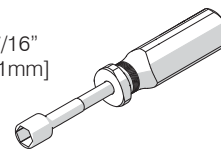
7/16"  
[11mm]

OPEN END WRENCH



MEASURING TAPE

7/16"  
[11mm]



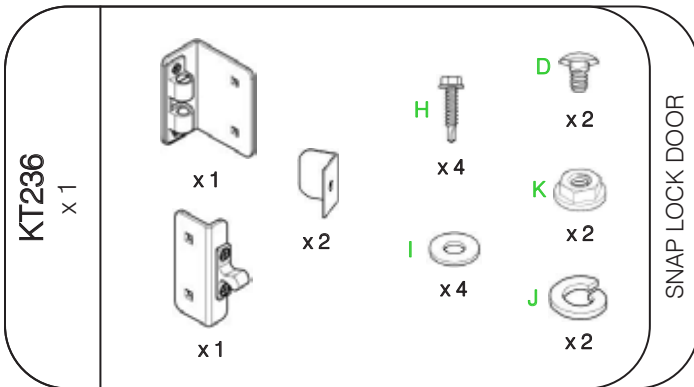
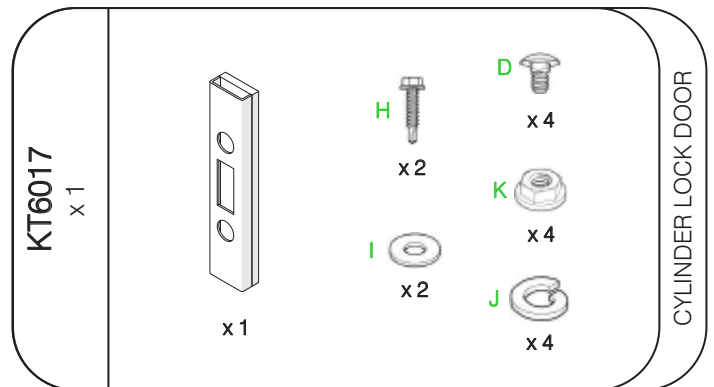
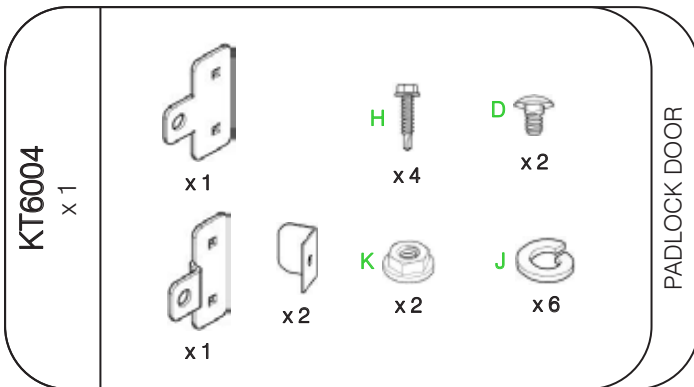
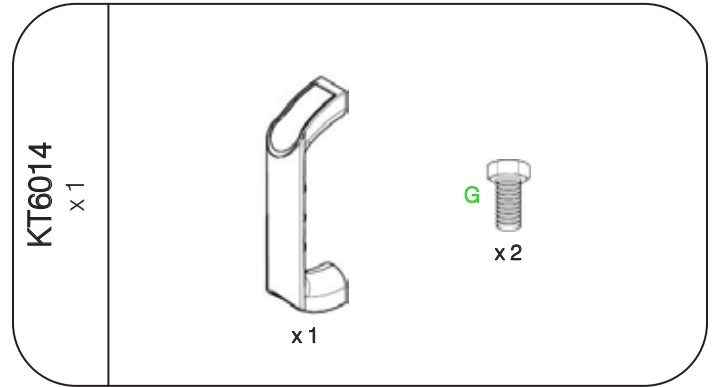
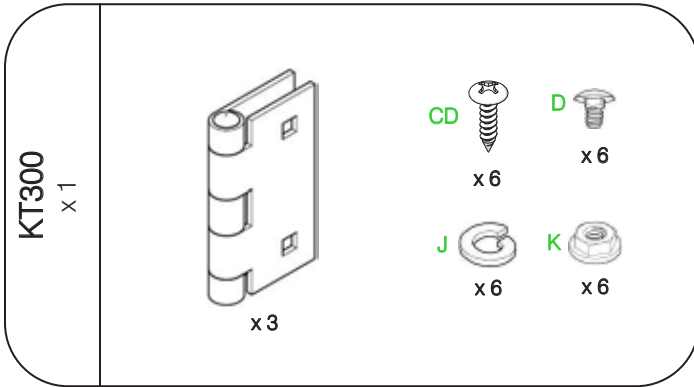
SOCKET DRIVER



PHILLIPS HEAD  
SCREWDRIVER



# HARDWARE PROVIDED:



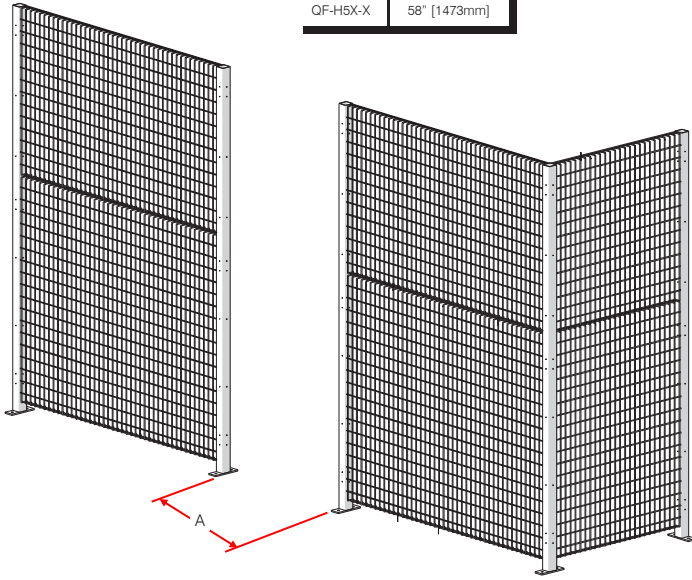
## HARDWARE LIST:

- (D) 1/4"-20 x 1/2" SQUARE NECK CARRIAGE BOLT
- (G) M8-1.25 x 20 HEX HEAD BOLT
- (H) #12-14 x 1" HEX HEAD SELF-DRILLING SCREW
- (J) 1/4" LOCK WASHER
- (K) 1/4"-20 FLANGE NUT
- (CD) 14-10 x 1" PHILLIPS TRUSS HEAD SHEET METAL SCREW



# 1

	A (OPENING)
QF-H3X-X	34" [864mm]
QF-H4X-X	46" [1168mm]
QF-H5X-X	58" [1473mm]

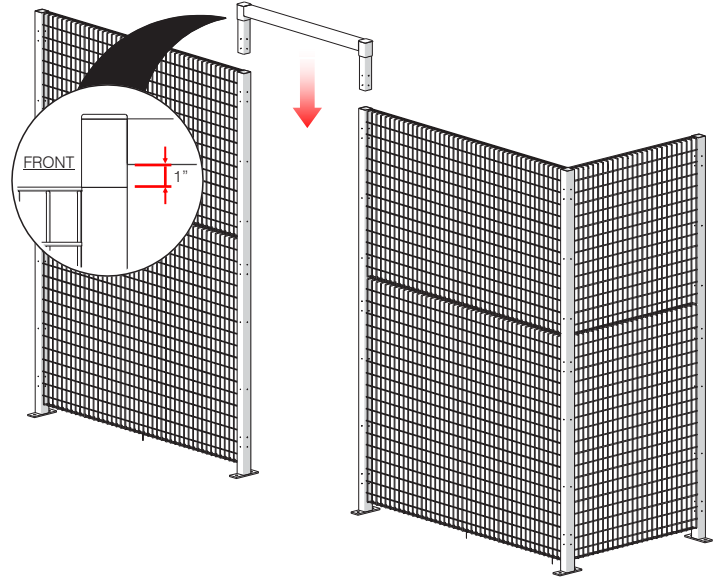


# 2

## HEADER BAR INSTALLATION

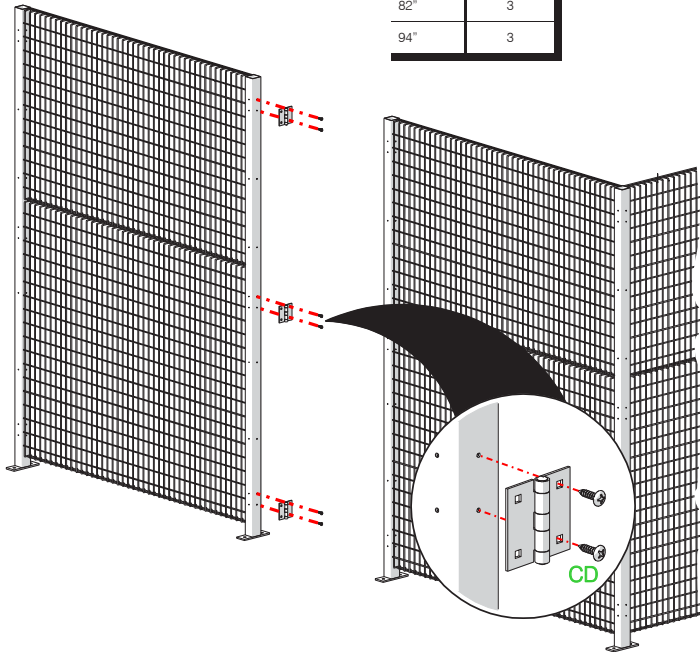
(7'-0" H & 8'-0" H DOORS ONLY)

NOT REQUIRED IF INSTALLING PANELS ABOVE DOOR

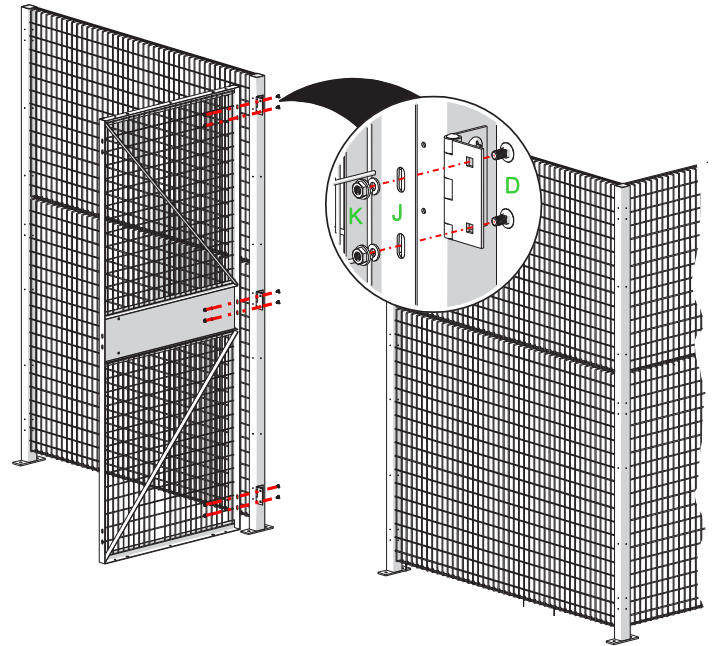


# 3

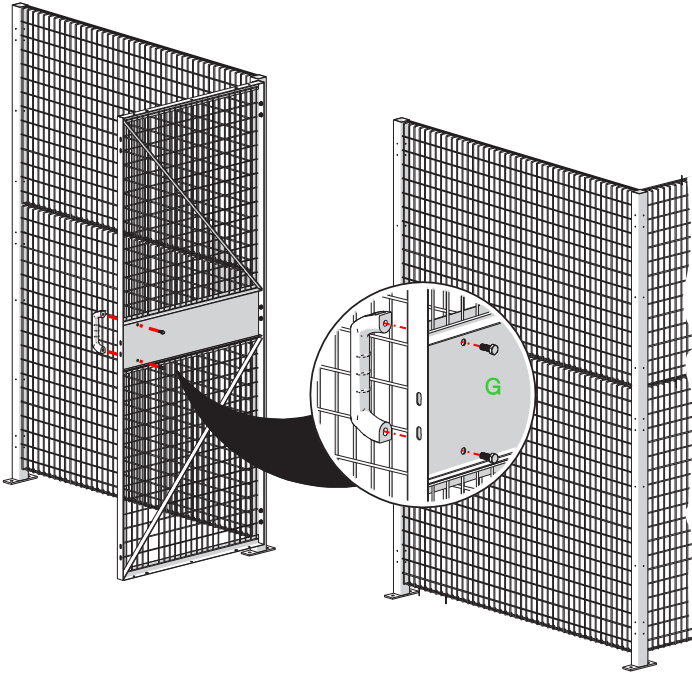
Door Height	# OF HINGES
58"	2
70"	2
82"	3
94"	3



# 4

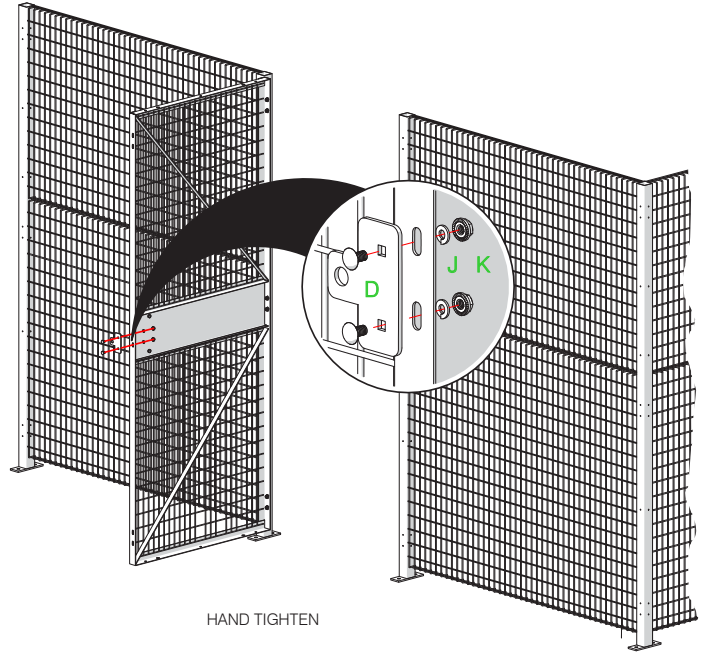


5

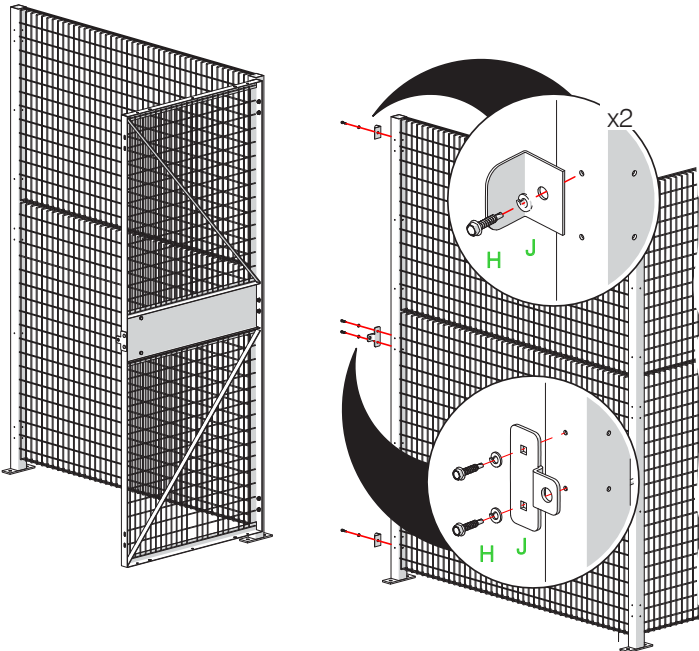


6

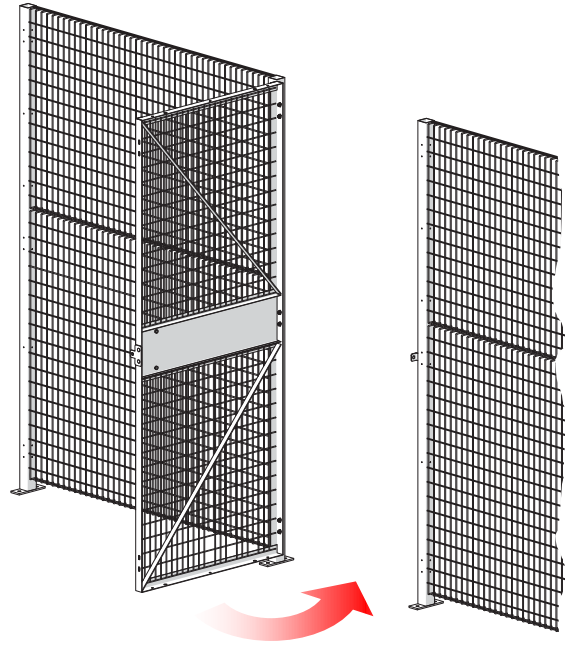
**PADLOCK INSTALLATION**  
 (STEPS 6 THRU 9 ARE FOR PADLOCK  
 INSTALLATION ONLY)



7



8

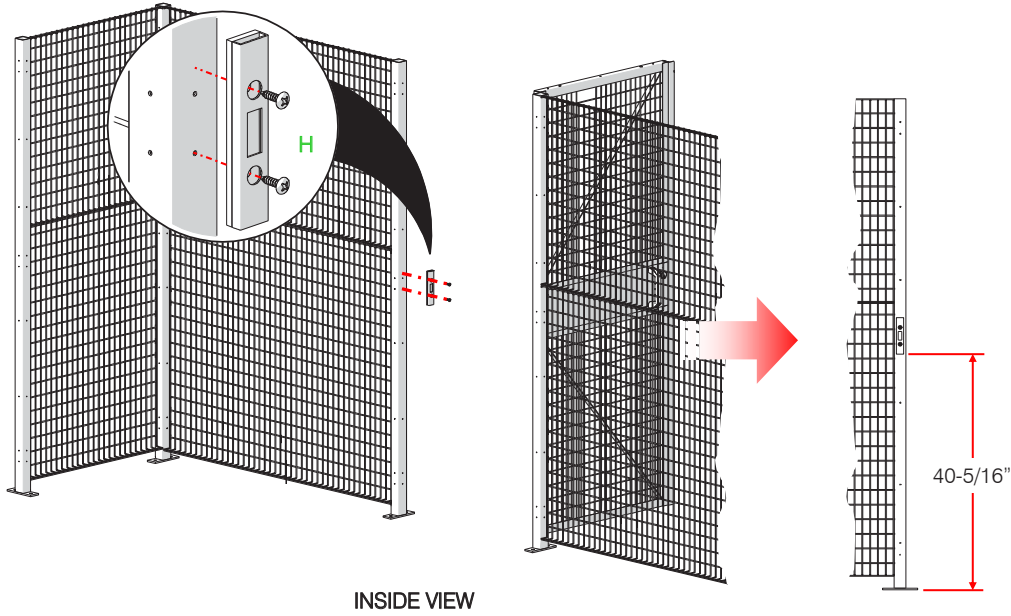


CHECK ALIGNMENT &  
 TIGHTEN ALL HARDWARE

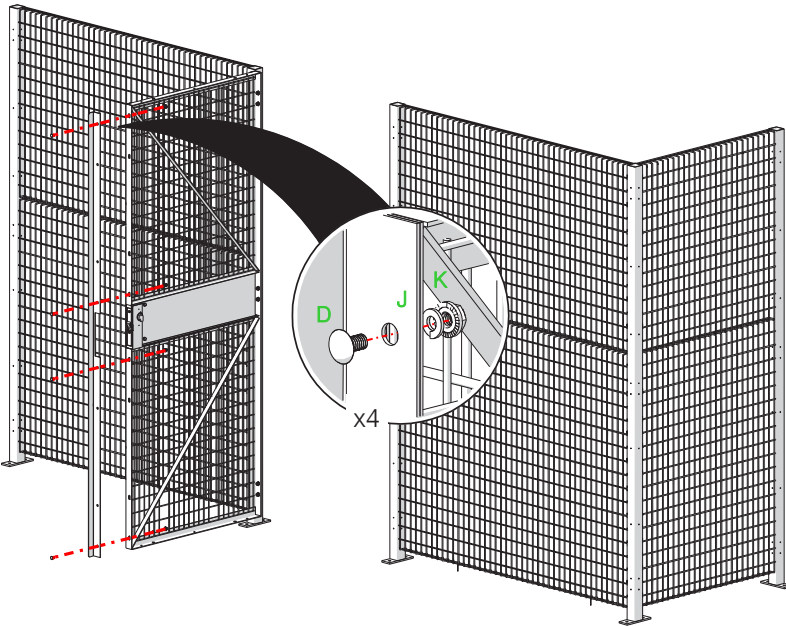


# 9

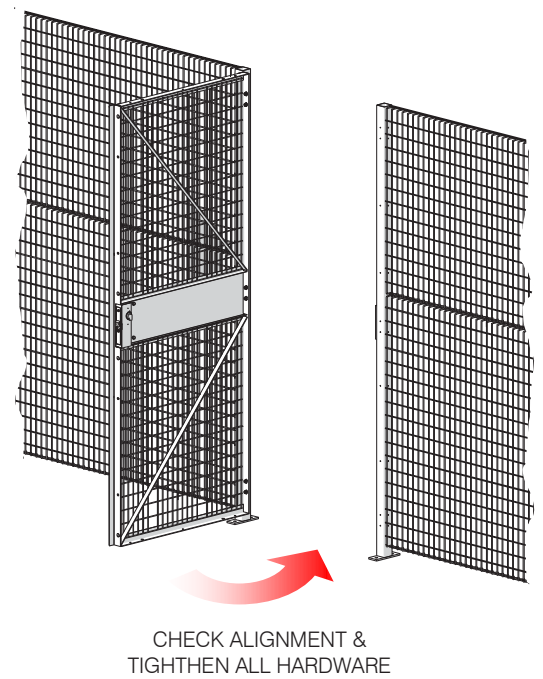
## CYLINDER LOCK INSTALLATION (STEPS 9 THRU 11 ARE FOR CYLINDER LOCK INSTALLATION ONLY)



# 10



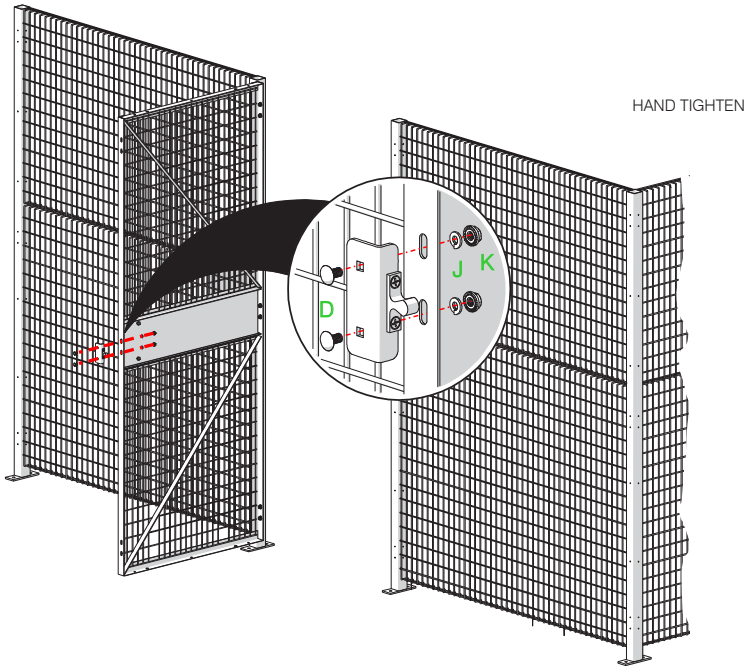
# 11





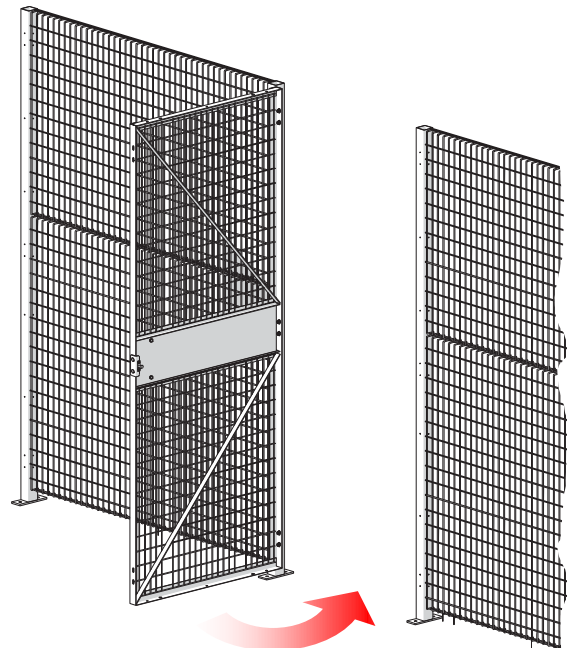
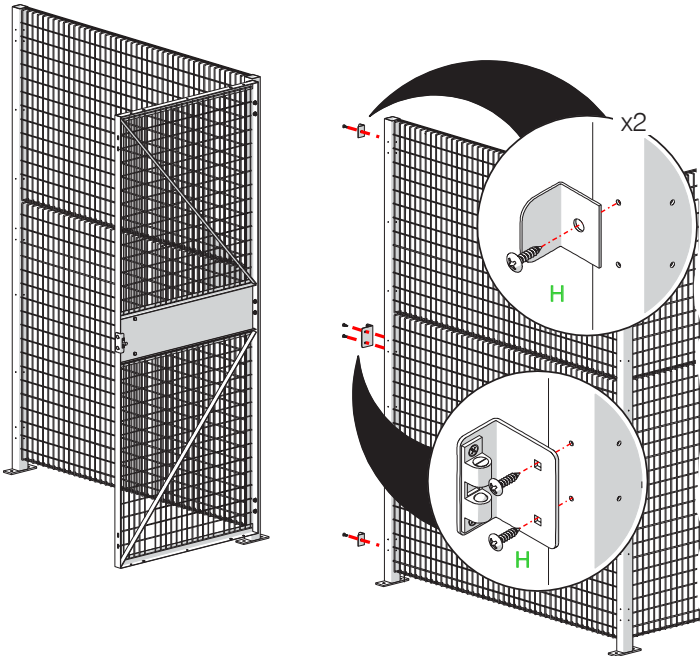
# 12

## SNAP LOCK INSTALLATION (STEPS 12 THRU 14 ARE FOR SNAP LOCK INSTALLATION ONLY)



# 13

# 14



CHECK ALIGNMENT &  
TIGHTEN ALL HARDWARE

