

Art Rack Assembly Instructions:

** PIECES ARE POWDER COATED – Do not lay pieces on top of each other or on a hard, rough surface if possible. All bolts will pass from outside towards inside of the “cage.” All references to front, rear, or sides, will be looking at the closed side of the “cage” (frames A&B) from the open side.

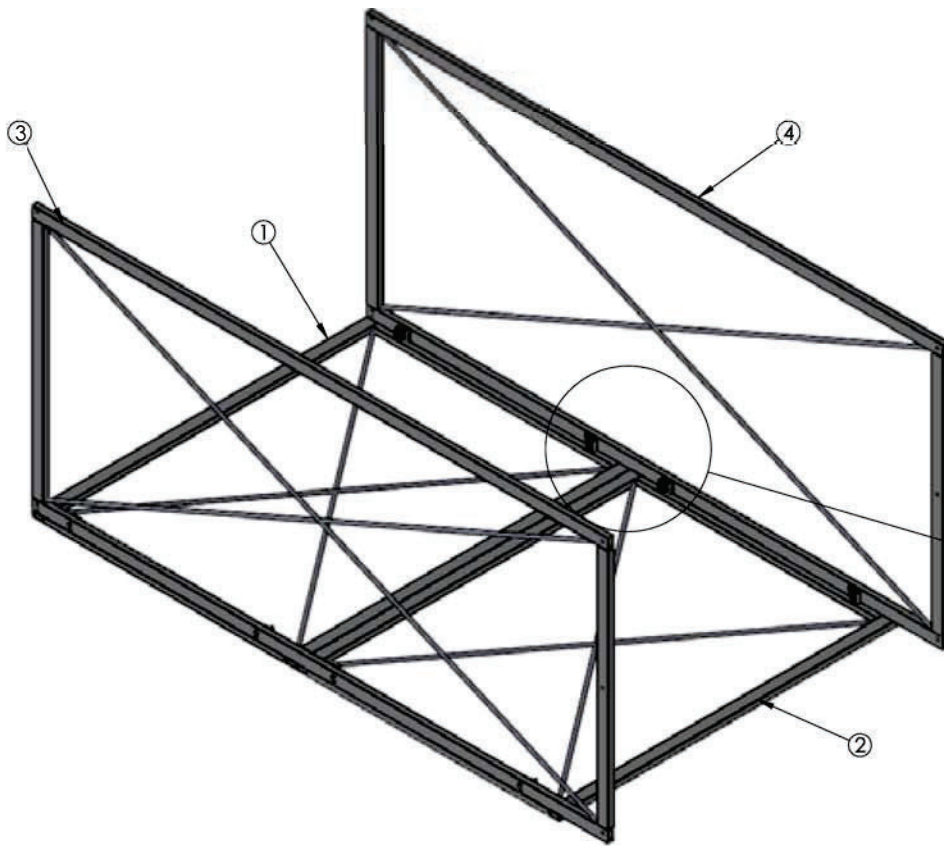
1. Locate frames marked “A” and “B.” Lay frames on floor, with stickers facing up and in the same direction. Frame “A” sticker should be on the bottom of the frame facing up, with frame “B” being on the top of the frame. Line up sides. Be sure to only tighten bolts to snug. **(Figure 1, detail A)**
2. Locate frames marked “C” and “D.” Attach frame C to frames A and B using bolts. **(Figure 1)**
3. Once the first four frames are connected, tip the frames up from side AB. This will allow the frames to stand upright on their own. Attach frames “E” and “F” to sides A and B, respectively. **(Figure 2, detail C)** Use bolts Y and nuts Z to attach frames with “V” 2-hole angled mounting bracket on both sides. **(Figure 2, detail D)**
4. Attach angle mounting bracket to bottom center holes of A, B, C, & D.
5. Attach 1-hole mounting bracket to each of front side frames (C, D, E, & F) in middle using bolts Y and nuts Z. **(Figure 2, detail G)**
6. Attach front “K” and rear “J” bottom supports to side frames using bolts Y and nuts Z, placing mounting feet to the inside. **(Figure 2, detail E & F)**
7. Attach angle groove “L” to front and rear bottom supports using bolts X and nuts Z. **(Figure 3, detail H & J)**
8. Locate topside cross members “G” (3pcs) and attach on each end and in the middle on top with bolts Y and nuts Z. **(Figure 3, detail M, L, & K)**
9. Locate top guides “H” and “I” and attach from underneath to topside cross members with bolts Y and nuts Z. When facing the opening, the slotted top guide “H” should be on the right, and “I” on the left. Attach the ends and then middle with bolts Y and nuts Z. Be sure to leave the nuts loose on I, as this will be slid over to the left to tighten when the framed mesh racks are attached. **(Figure 3, detail M, L, & K)**
10. Use small bolts (not identified by sticker) “U” to attach handle “R” to front of mesh frame border “P.” This must be done before any borders are attached to mesh. **(Figure 4, detail U)**



11. Attach two mesh frames to each other using the long sides, and attaching snugly with bolts “X” and nuts Y. Once snugged, tip up to sit flat on floor or use straight edge to align tops and bottoms. Once aligned, fully tighten bolts. **(Figure 4, detail R)**
12. Attach bottom piece of mesh frame border “N” loosely to mesh frames with bolts Y and nuts Z, ensuring to line up ends evenly with mesh frame. **(Figure 4, detail N & P)**

**Make sure open side of mesh frame is facing left. On piece N, the end with a solid square with four holes is the front.
13. Continue with same mesh frame, attaching rear “Q”, top “O”, and front “P” mesh frame borders with bolts Y and nuts Z. Snug all bolts until all 4 frames are attached. Insert rear and front mesh frame borders into bottom. Use rubber mallet if piece does not fit easily. **(Figure 4, detail N, P, & R)**
14. Once all borders are attached, line up evenly with ends of mesh frame and tighten bolts. Continue steps 8-10 on remaining four frame assemblies.
15. Attach solid-wheel caster to front bottom mesh frame border with bolts AA and nuts Z, tightening bolts fully. Attach rear slotted wheel caster to rear end with four bolts AA and nuts Z. Repeat with remaining four frame assemblies. **(Figure 4, detail N & P)**
16. Once all frame assemblies are complete, insert the rear end of mesh frame with border into the cage, centering the frame between the two top guides (H and I). Push all the way to the rear, and the front caster should stop when it contacts the front bottom support (K). Once in place, slide slotted top guide into top of frame border, closing the gap around the top of the border. Repeat with four remaining frame assemblies. **(Figure 3, detail L & K)**
17. Once all assemblies are in place, mark holes and drill for mounting.
18. Enjoy your Art Rack!!!





ITEM NO.	NUMBER	Description	QTY.
1	A	REAR WALL-TOP	1
2	B	REAR WALL-BOTTOM	1
3	C	REAR SIDE WALL-C	1
4	D	REAR SIDE WALL-D	1
5	Y	3/8-16 x 1 3/4" BOLT	16
6	Z	3/8-16 NYLOCK NUT	16

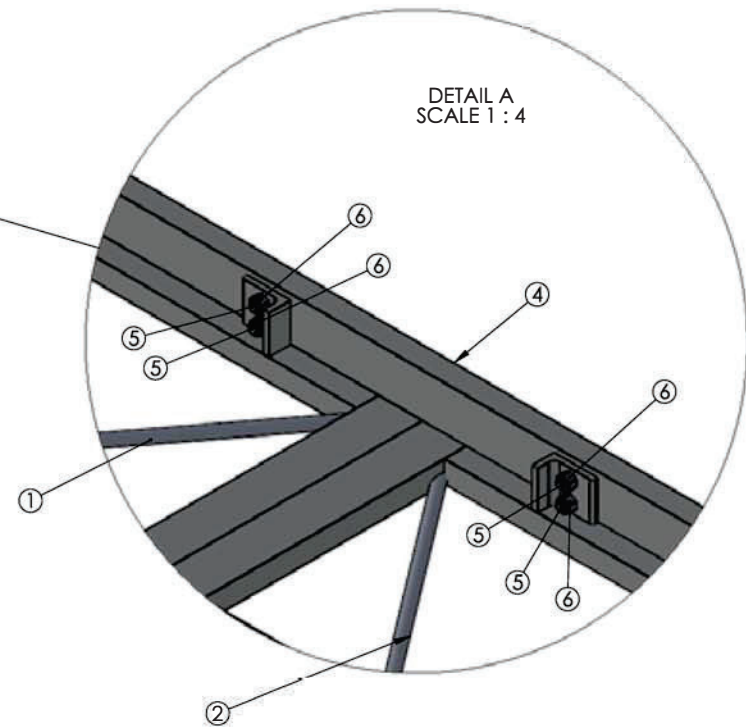


Figure 1



ITEM NO.	NUMBER	Description	QTY.
1	E	LEFT FRONT SIDE WALL	1
2	F	RIGHT FRONT SIDE WALL	1
3	G	TOP CROSS MEMBER	3
4	H	TOP GUIDE WITH HOLES	5
5	J	REAR BOTTOM SUPPORT	1
6	K	FRONT BOTTOM SUPPORT	1
7	V	ANGLE MOUNTING BRACKET TWO HOLE	2
8	W	ANGLE MOUNTING BRACKET	4
9	Y	3/8-16 x 1 3/4" BOLT	39
10	Z	3/8-16 NYLOCK NUT	39

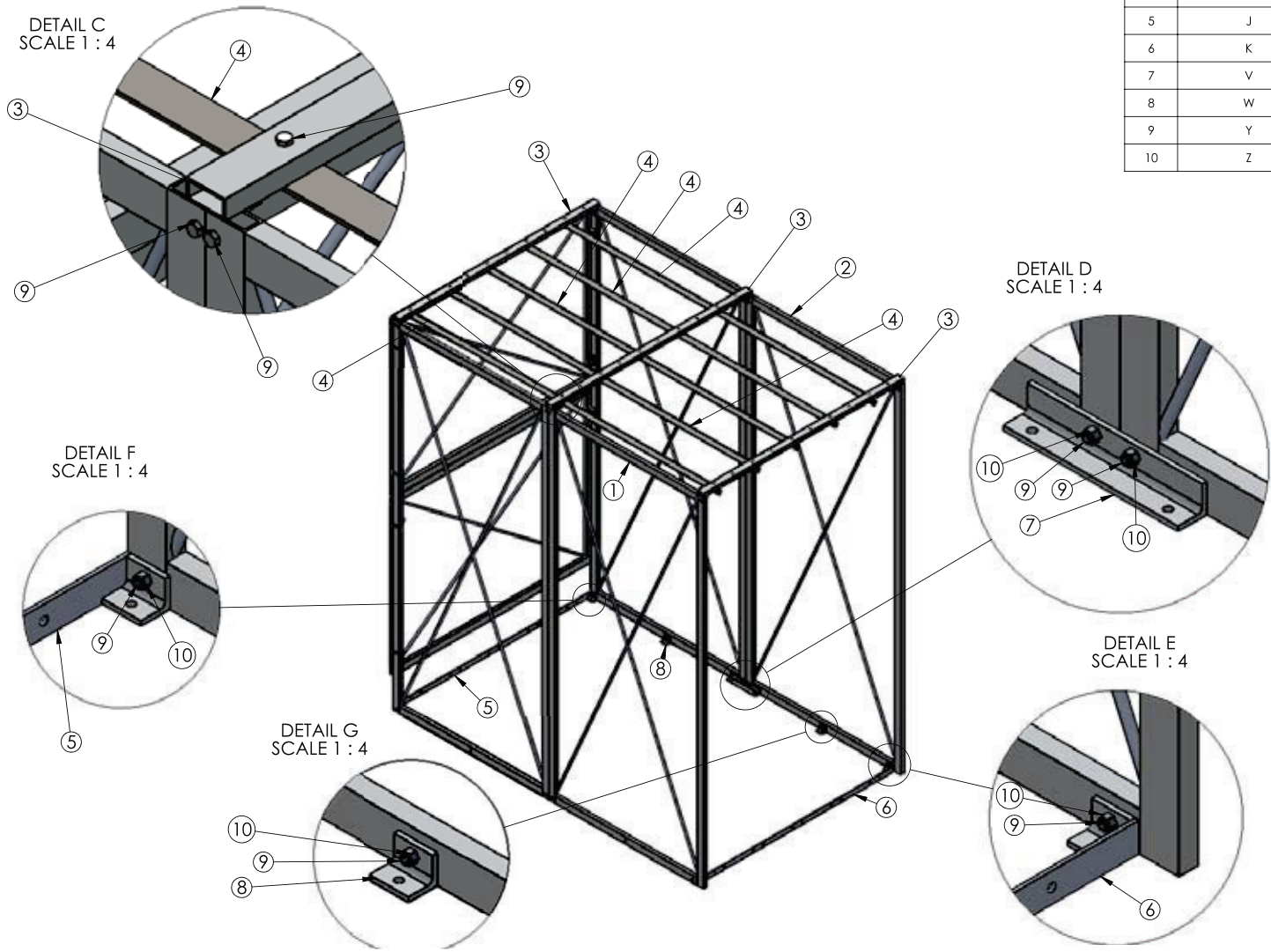


Figure 2



ITEM NO.	NUMBER	Description	QTY.
1	I	TOP GUIDE WITH SLOTS	5
2	L	ANGLE GROOVE	5
3	Y	3/8-16 x 1 3/4" BOLT	15
4	Z	3/8-16 NYLOCK NUT	35
5	X	3/8-16 BOLT 1" LONG	20

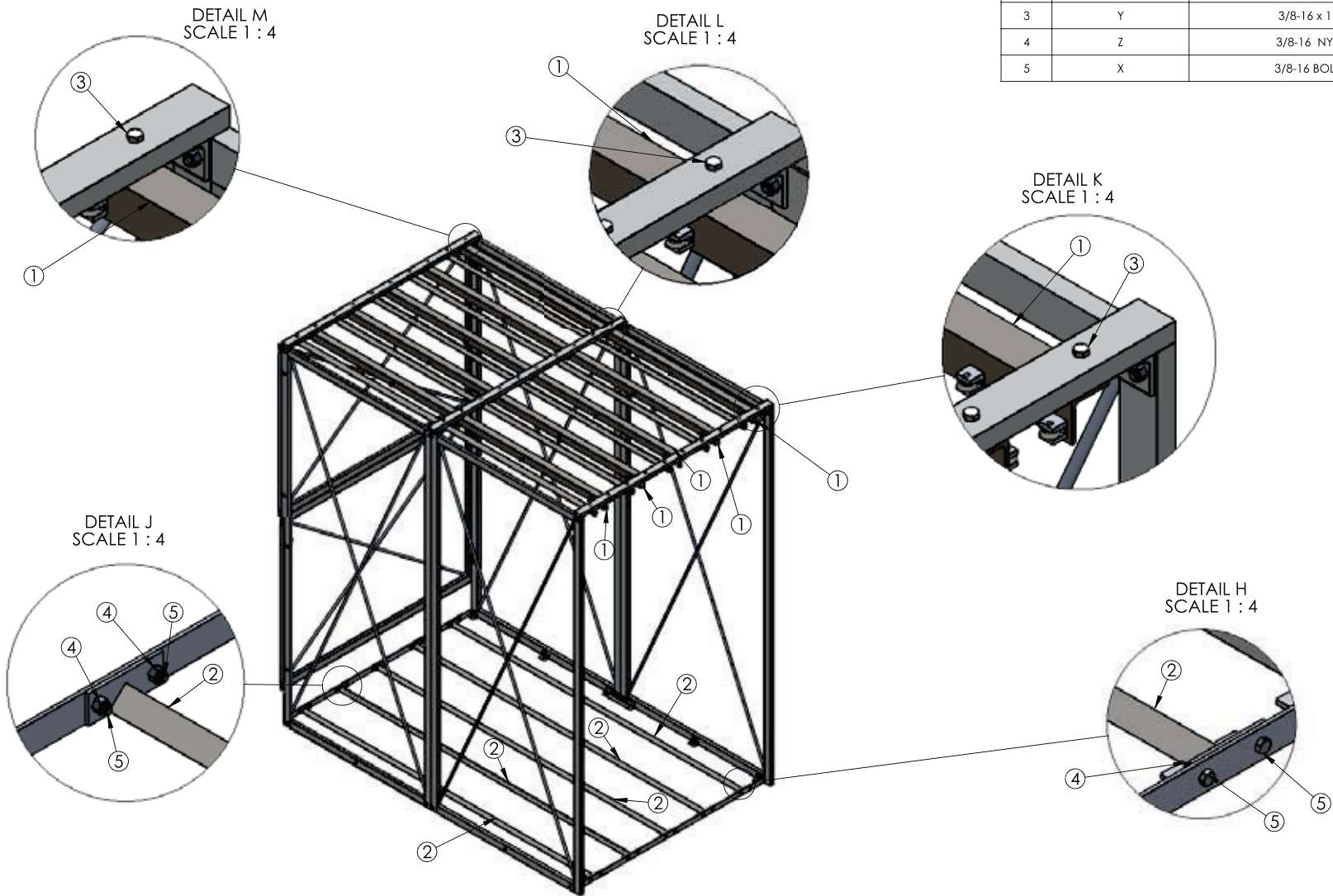
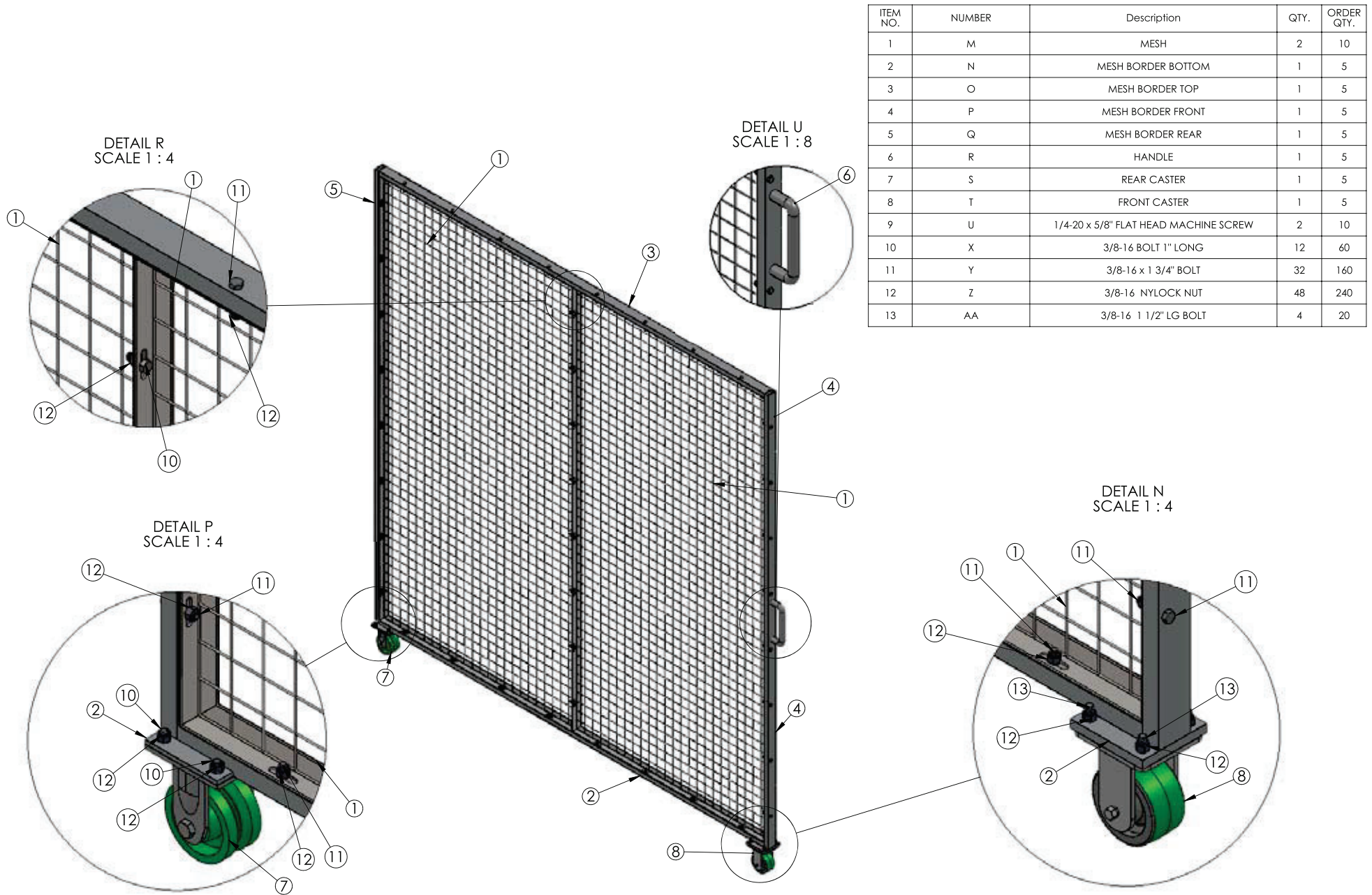


Figure 3

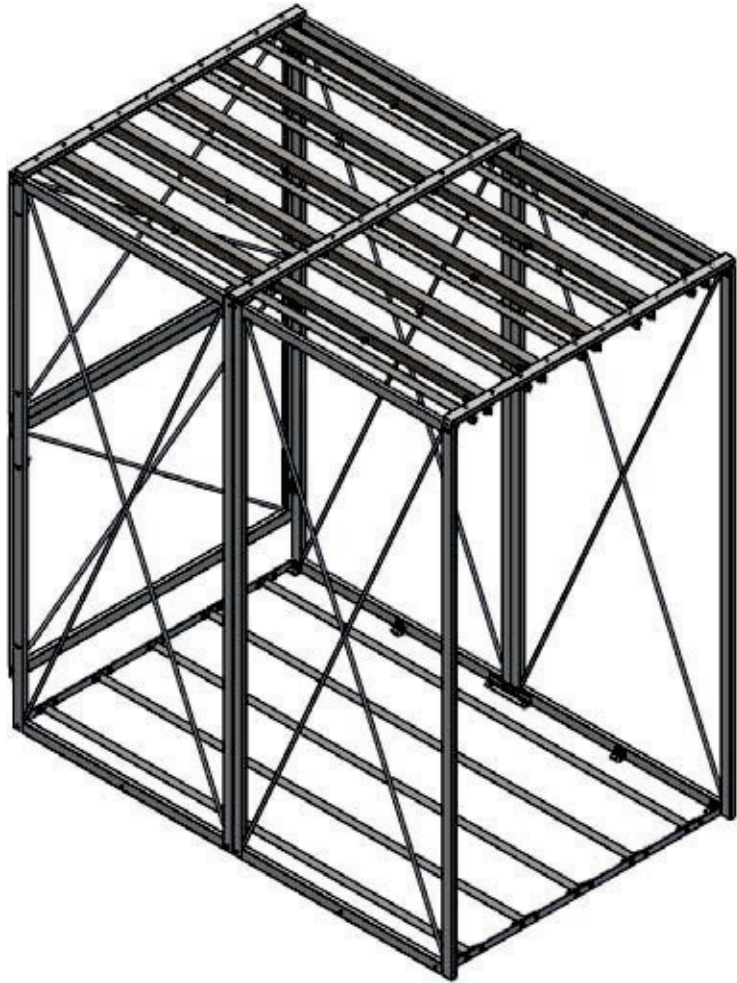




ITEM NO.	NUMBER	Description	QTY.	ORDER QTY.
1	M	MESH	2	10
2	N	MESH BORDER BOTTOM	1	5
3	O	MESH BORDER TOP	1	5
4	P	MESH BORDER FRONT	1	5
5	Q	MESH BORDER REAR	1	5
6	R	HANDLE	1	5
7	S	REAR CASTER	1	5
8	T	FRONT CASTER	1	5
9	U	1/4-20 x 5/8" FLAT HEAD MACHINE SCREW	2	10
10	X	3/8-16 BOLT 1" LONG	12	60
11	Y	3/8-16 x 1 3/4" BOLT	32	160
12	Z	3/8-16 NYLOCK NUT	48	240
13	AA	3/8-16 1 1/2" LG BOLT	4	20



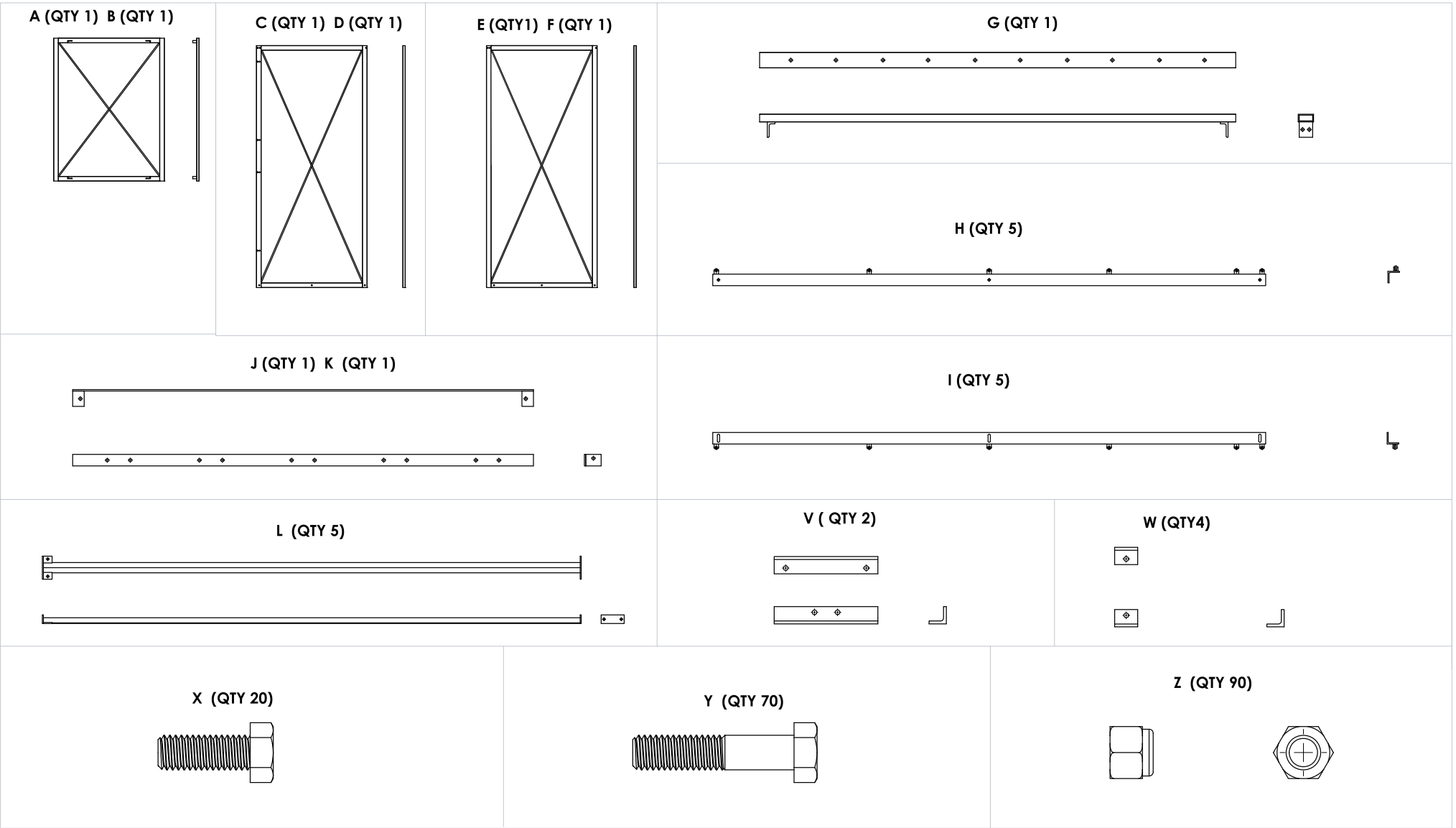
Figure 4



ITEM NO.	NUMBER	Description	QTY.
1	A	REAR WALL-TOP	1
2	B	REAR WALL-BOTTOM	1
3	C	REAR SIDE WALL-C	1
4	D	REAR SIDE WALL-D	1
5	E	LEFT FRONT SIDE WALL	1
6	F	RIGHT FRONT SIDE WALL	1
7	G	TOP CROSS MEMBER	3
8	H	TOP GUIDE WITH HOLES	5
9	I	TOP GUIDE WITH SLOTS	5
10	J	REAR BOTTOM SUPPORT	1
11	K	FRONT BOTTOM SUPPORT	1
12	L	ANGLE GROOVE	5
13	V	ANGLE MOUNTING BRACKET TWO HOLE	2
14	W	ANGLE MOUNTING BRACKET	4
15	X	3/8-16 BOLT 1" LONG	20
16	Y	3/8-16 x 1 3/4" BOLT	70
17	Z	3/8-16 NYLOCK NUT	90

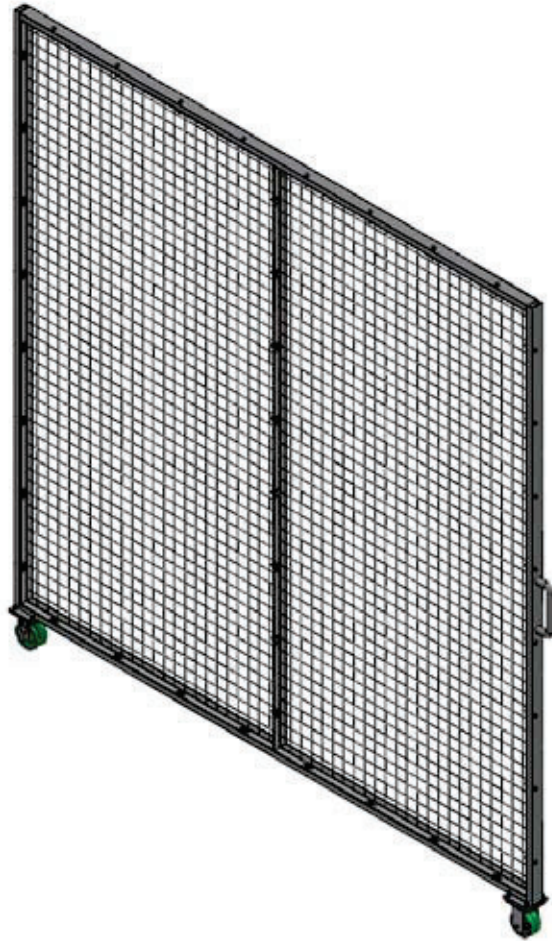
Framework Parts List





Framework Parts

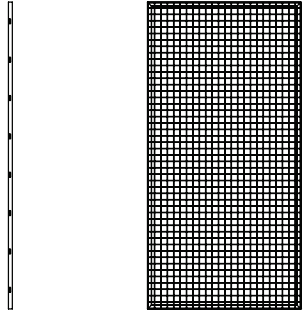
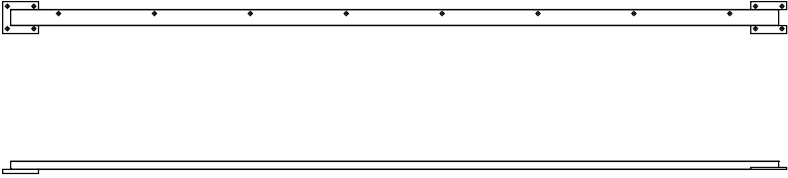
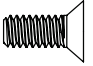
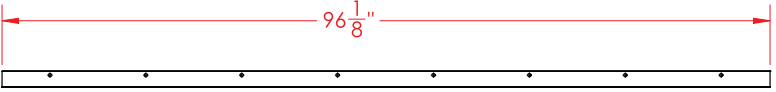
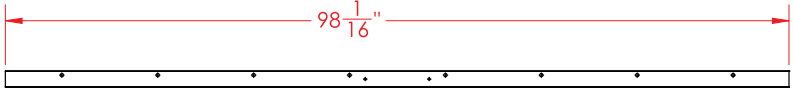
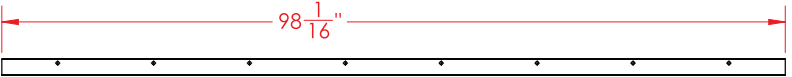
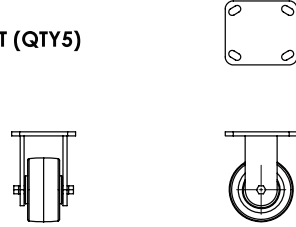
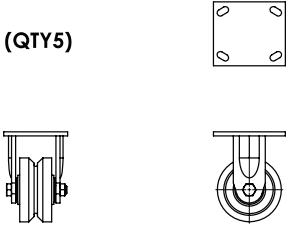

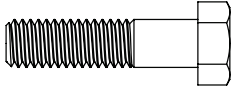
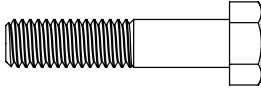





ITEM NO.	NUMBER	Description	QTY.
1	M	MESH	2
2	N	MESH BORDER BOTTOM	1
3	O	MESH BORDER TOP	1
4	P	MESH BORDER FRONT	1
5	Q	MESH BORDER REAR	1
6	R	HANDLE	1
7	S	REAR CASTER	1
8	T	FRONT CASTER	1
9	U	1/4-20 x 5/8" FLAT HEAD MACHINE SCREW	2
10	X	3/8-16 BOLT 1" LONG	12
11	Y	3/8-16 x 1 3/4" BOLT	32
12	Z	3/8-16 NYLOCK NUT	48
13	AA	3/8-16 1 1/2" LG BOLT	4

Art Panel Parts List



<p>M (QTY 10)</p> 	<p>N (QTY 5)</p> 		<p>U (QTY10)</p> 
<p>O (QTY5)</p> 		<p>P (QTY5)</p> 	
<p>Q (QTY5)</p> 		<p>T (QTY5)</p> 	<p>S (QTY5)</p> 
<p>X (QTY 60)</p> 	<p>AA (QTY20)</p> 	<p>Y (QTY160)</p> 	<p>Z (QTY 240)</p> 

Art Panel Parts

