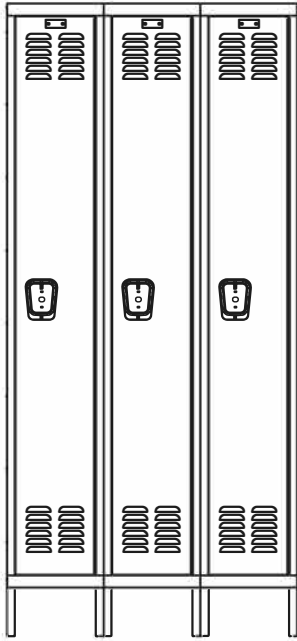


Wood Locker Specification Sheet

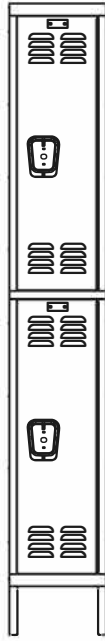
SMS-05-V39-UW



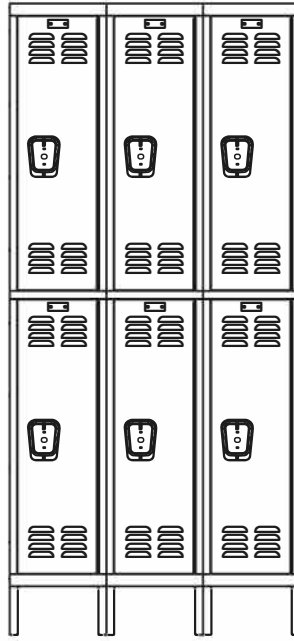
1 WIDE



3 WIDE SINGLE TIER



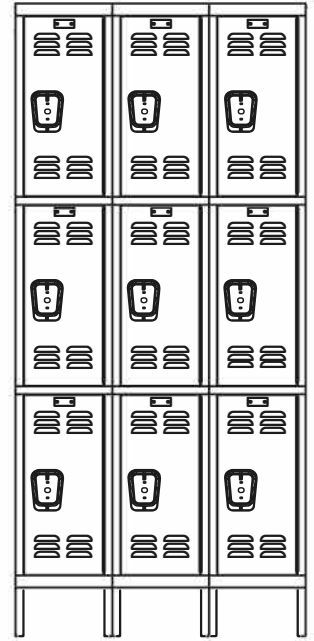
1 WIDE



3 WIDE DOUBLE TIER



1 WIDE



3 WIDE TRIPLE TIER

General Instructions

1. Check material received against the packing list. First check the number of packages received and then check the contents of each package.
2. Check material received for damage. If damage has occurred, secure a "damage notation" from the carrier.
3. Identify each part as it is unpacked and put like parts together as close as possible to the working area in which they are to be assembled.
4. Be careful to use the correct hardware as specified in the assembly instructions.
5. Items with suffix (xx) are available options.

CAUTION

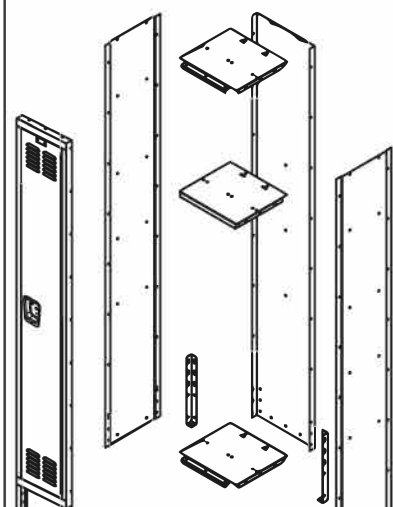
IN THE INTEREST OF SAFETY, ALL LOCKERS MUST BE SECURELY ANCHORED TO THE FLOOR AND/OR WALL. FOR SAFETY, HANDLE ALL COMPONENTS CAREFULLY AND WEAR WORK-GLOVES WHEN ASSEMBLING LOCKERS. INSTALL ALL UNITS PLUMB AND TIGHTEN

ALL HARDWARE SECURELY.

RETAIN INSTRUCTIONS FOR FUTURE REFERENCE.



PACKAGE CONTENTS

REF. NO.	DESCRIPTION	PART NO.	1-WIDE QUANTITY			3-WIDE QUANTITY			
			1-TIER	2-TIER	3-TIER	1-TIER	2-TIER	3-TIER	
①	REAR PANEL	KRwwhh	1	1	1	3	3	3	 <p style="text-align: center;">Single Tier KD Locker</p>
②	RIGHT/LEFT SIDE PANEL	KPddhh	2	2	2	4	4	4	
③	TOP/BOTTOM SHELF	KSwwdd	2	3	4	6	9	12	
④	HAT SHELF	KHwwdd	1	-	-	3	-	-	
⑤	SINGLE CEILING HOOK	H5K	2	4	-	6	12	-	
⑥	DOUBLE CEILING HOOK	H7K	1	2	3	3	6	9	
xx⑦	COAT ROD BRACKET	TRH200	2	4	-	6	12	-	
xx⑧	COAT ROD	KCRww	1	2	-	3	6	-	
⑨	DOOR FRAME ASSEMBLY	KDHFwwhh-tLV	1	1	1	3	3	3	
×⑩	DOOR	KDHwwhh-tLV	1	2	3	3	6	9	
×⑪	RECESSED HANDLE S.S.	TBECK2	1	2	3	3	6	9	
×⑫	LOCK CHANNEL	KLhh-t	1	2	3	3	6	9	
×⑬	CHANNEL STOP	CS002	2	4	6	6	12	18	
×⑭	NYLON LATCH	DLB100B	2	4	6	6	12	18	
×⑮	SPRING	LS100	2	4	6	6	12	18	
×⑯	LOCK BRACKET	SLB101L	1	2	3	3	6	9	
×⑰	PLASTIC LIFTER	LC100B	1	2	3	3	6	9	
⑱	REAR LEG	KLG	2	2	2	2	2	2	
×⑲	BUMPER	KDB300	3	4	6	9	12	18	
⑳	NUMBER PLATE	NPH	1	2	3	3	6	9	
㉑	NUMBER PLATE RIVET	RV101	2	4	6	6	12	18	
㉒	3/8" SLOTLESS BOLT	MBT200	62	74	70	134	166	188	
㉓	HEX NUT	N201	60	70	64	128	154	170	
㉔	ESCUTCHEON PLATE	RPE100	1	2	3	3	6	9	
㉕	HI-DOME CAP NUT	N110	2	4	6	6	12	18	
×㉖	RIVET (HANDLE)	RV102	1	2	3	3	6	9	
×㉗	RIVET (HINGE)	RV102	7	8	9	21	24	27	

PART NUMBER SUFFIX SHOWS WIDTH, DEPTH, HEIGHT AND TIER. CUSTOMER TO SPECIFY.

NOTE:

FOR OPTIONAL INDIVIDUAL SLOPE TOPS,
SEE SUPPLEMENTAL INSTRUCTION SHEET NO. ASY-H-KIST-A

FOR OPTIONAL 6" HIGH CLOSED METAL BASE,
SEE SUPPLEMENTAL INSTRUCTION SHEET NO. ASY-H-KIST-B

× SHIPS PRE-HUNG IN DOOR FRAME ASSEMBLY ⑨

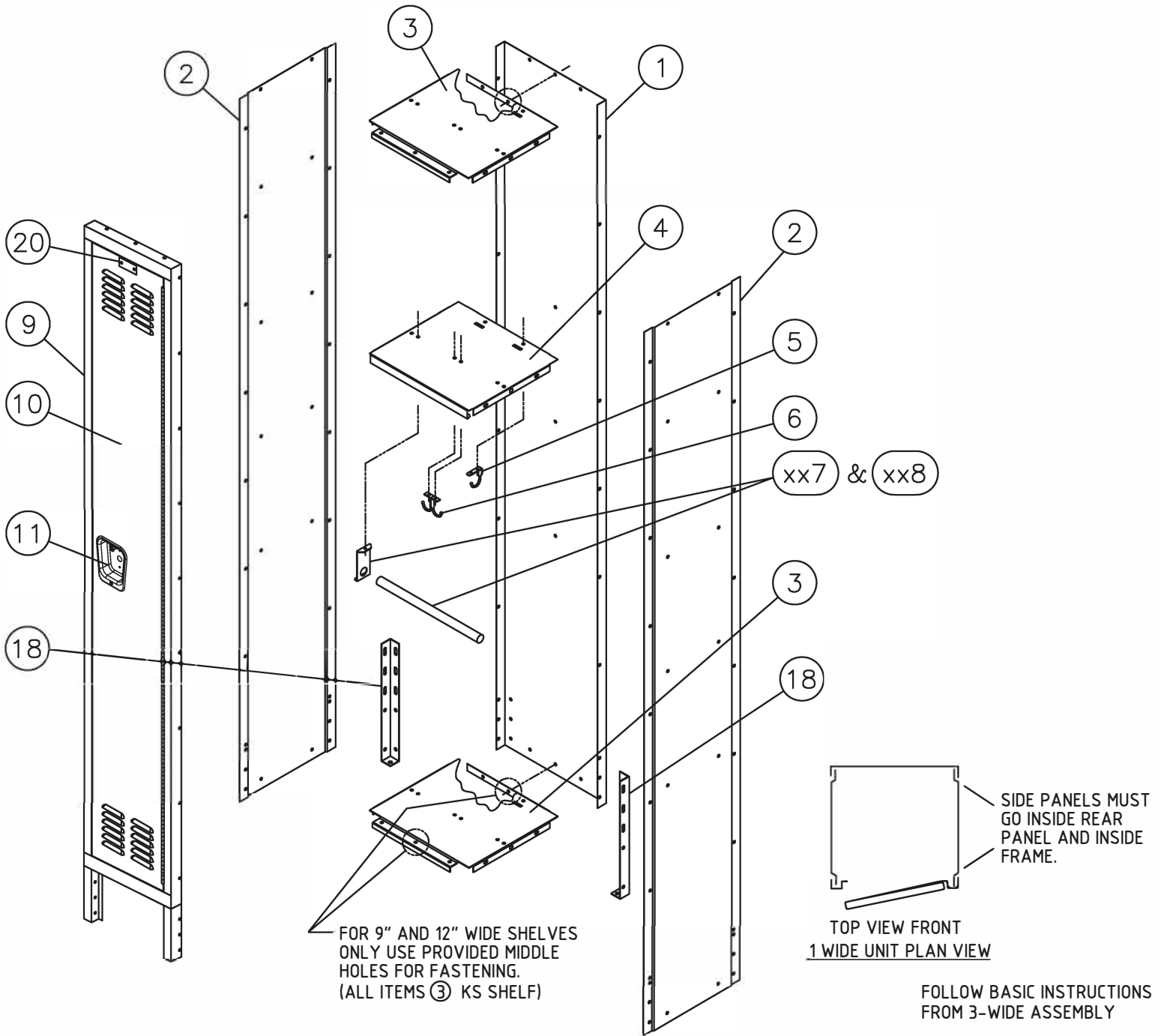
xx OPTIONAL ITEM

PART NO. LEGEND:

ww = WIDTH
dd = DEPTH
hh = HEIGHT (FRAME)
t = TIER

TOOLS REQUIRED: 3/8" NUT DRIVER (3/8" SOCKET MAY BE SUBSTITUTED)





COAT ROD (KCRww) & COAT ROD BRACKETS (TRH 200) ARE OPTIONAL.

HALLOWELL MAKES EVERY EFFORT TO ENSURE THAT ALL UNITS SHIP COMPLETE; HOWEVER, SHOULD YOUR UNIT CONTAIN MISSING OR DAMAGED PARTS, REPLACEMENTS MAY BE OBTAINED FROM HALLOWELL. TO OBTAIN PARTS, FOLLOW THESE INSTRUCTIONS.

PLEASE PROVIDE THE FOLLOW INFORMATION:

MODEL NUMBER

PURCHASE DATE

DESCRIPTION OF PART(S) NEEDED & PART NUMBER(S) AS SHOWN IN PARTS LIST

COMPANY NAME & CONTACT PERSON

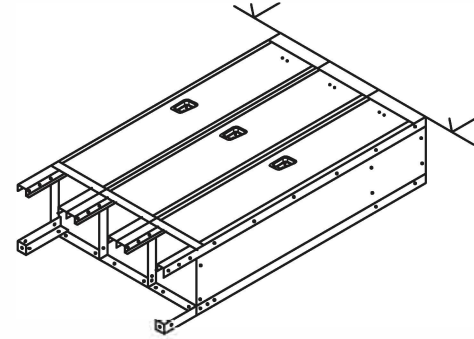
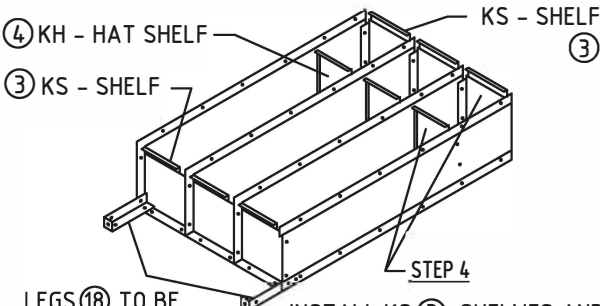
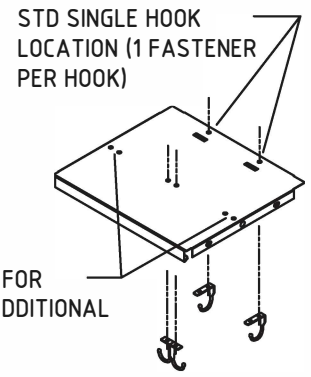
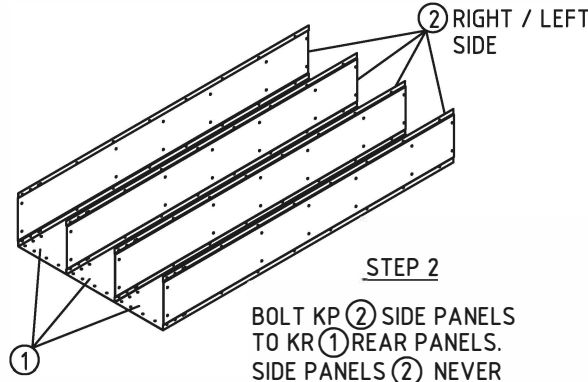
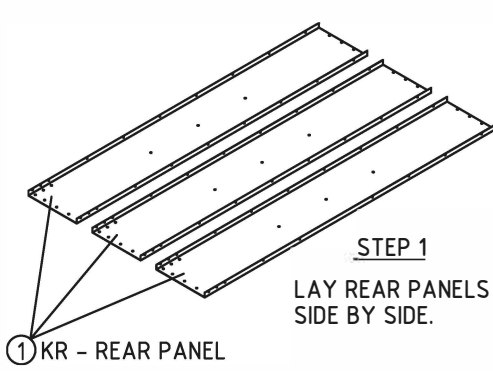
COLOR

WHERE THE PRODUCT WAS PURCHASED FROM

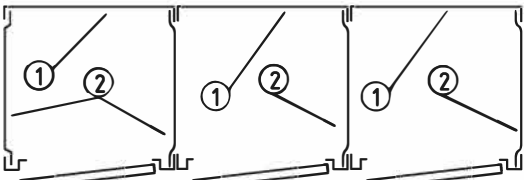
IF REQUESTING PARTS BY TELEPHONE, ASK FOR CUSTOMER SERVICE & PROVIDE THE ABOVE INFORMATION.



(A GROUPING OF 3-WIDE SINGLE TIER LOCKERS ILLUSTRATED)



ASSEMBLY OF SINGLE ROW LOCKERS
NEVER PUT SIDE PANELS BETWEEN FRAMES OR REAR PANELS.



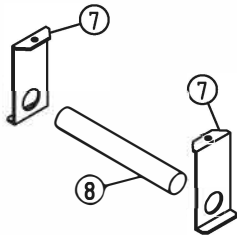
SIDE PANELS MUST GO INSIDE REAR PANEL AND INSIDE FRAME.

SINGLE TIER EXAMPLE - 3 WIDE UNIT PLAN VIEW

OPTIONAL COAT ROD

BRACKETS TO BE BOLTED TO UNDERSIDE OF HAT SHELF WITH COAT ROD IN BETWEEN.

- xx ⑦ COAT ROD BRACKETS (xxTRH 200)
- xx ⑧ COAT ROD (xxKCRww)

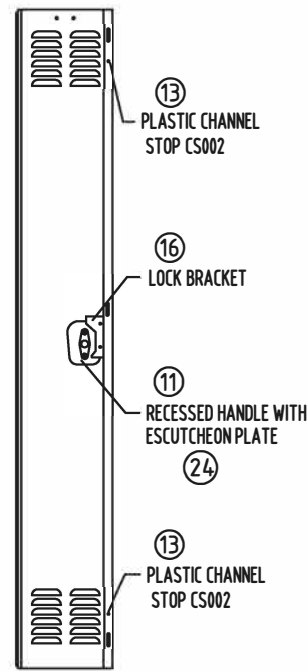


⑥ DOUBLE CEILING HOOK (H7K)

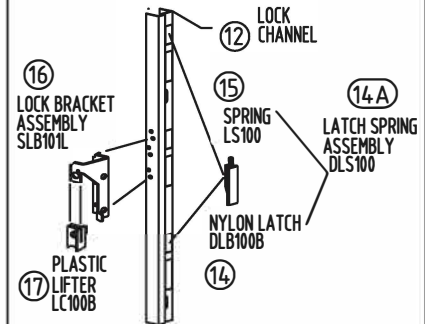
TO BE BOLTED TO UNDERSIDE OF HAT SHELF.

⑤ SINGLE CEILING HOOK (H5K)

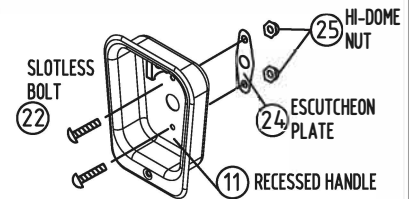
TO BE BOLTED TO UNDERSIDE OF HAT SHELF.



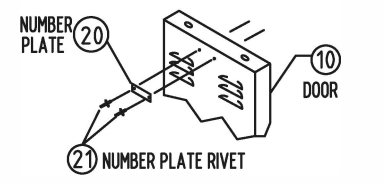
INSIDE DOOR VIEW



EXPLODED VIEW OF LOCK CHANNEL



ASSEMBLY OF ESCUTCHEON PLATE



ASSEMBLY OF NUMBER PLATE

