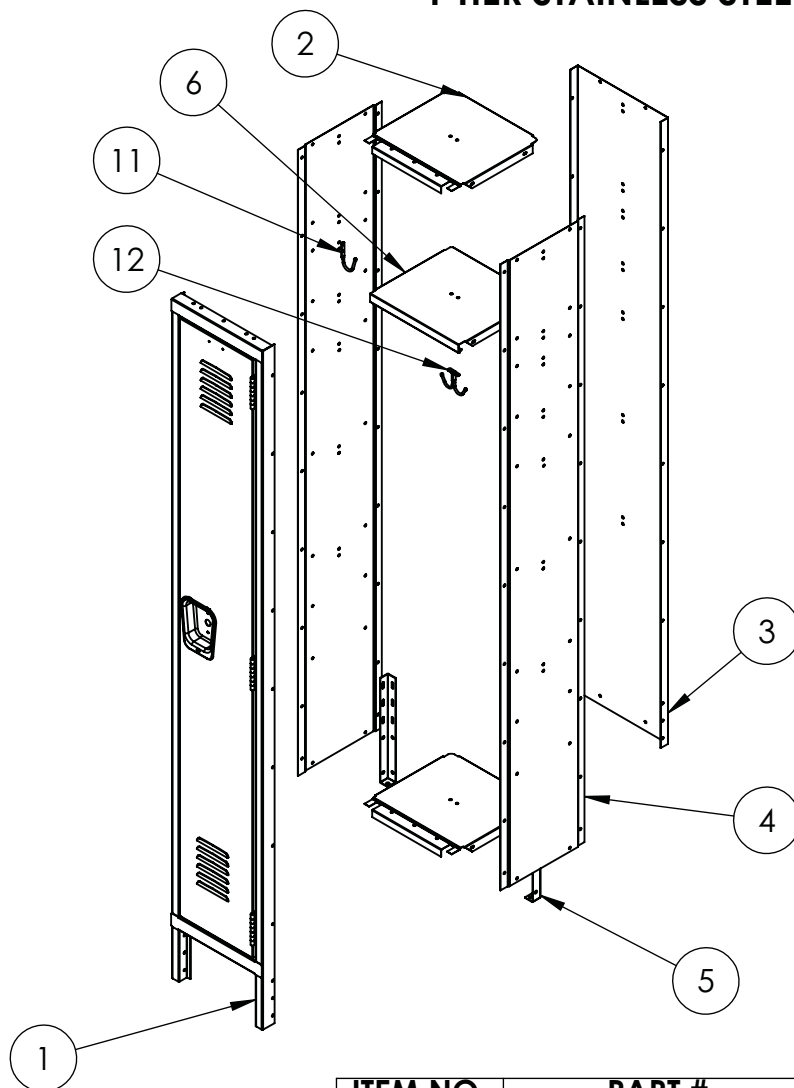
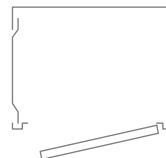




# 1 TIER STAINLESS STEEL LOCKER

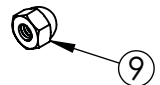
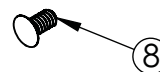
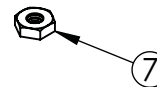


TOP VIEW OF 1-WIDE  
FOLLOW BASIC INSTRUCTIONS  
FROM 3-WIDE ASSEMBLY



SIDE PANELS  
MUST GO  
INSIDE REAR PANEL  
AND INSIDE  
FRAME.

## HARDWARE



**LEGEND**  
ww = width

ITEM NO.	PART #	DESCRIPTION	QTY
1	PPDF6ww78LV-SS	DOOR/FRAME	1
2	PPTBww18SS	TOP/BOTTOM	3
3	PPBPww72SS	BACK PANEL	1
4	PPSP1872SS	SIDE PANEL	2
5	PPRL06SS	REAR LEGS	2
6	PPHSww18SS	HAT SHELF	5
7	N201	10-24 HEX NUT	67
8	MBT200	10-24 X 3/8	69
9	N110	10-24 DOME NUT	2
10	RPE100	ESCUTCHEON PLATE	1
11	H6K	WALL HOOK	2
12	H7K	CEILING HOOK	1

HALLOWELL MAKES EVERY EFFORT TO ENSURE THAT ALL UNITS SHIP COMPLETE. HOWEVER, SHOULD YOUR UNIT CONTAIN MISSING OR DAMAGED PARTS, REPLACEMENTS MAY BE OBTAINED FROM HALLOWELL. TO OBTAIN PARTS, FOLLOW THESE INSTRUCTIONS:

PROVIDE THE FOLLOWING:

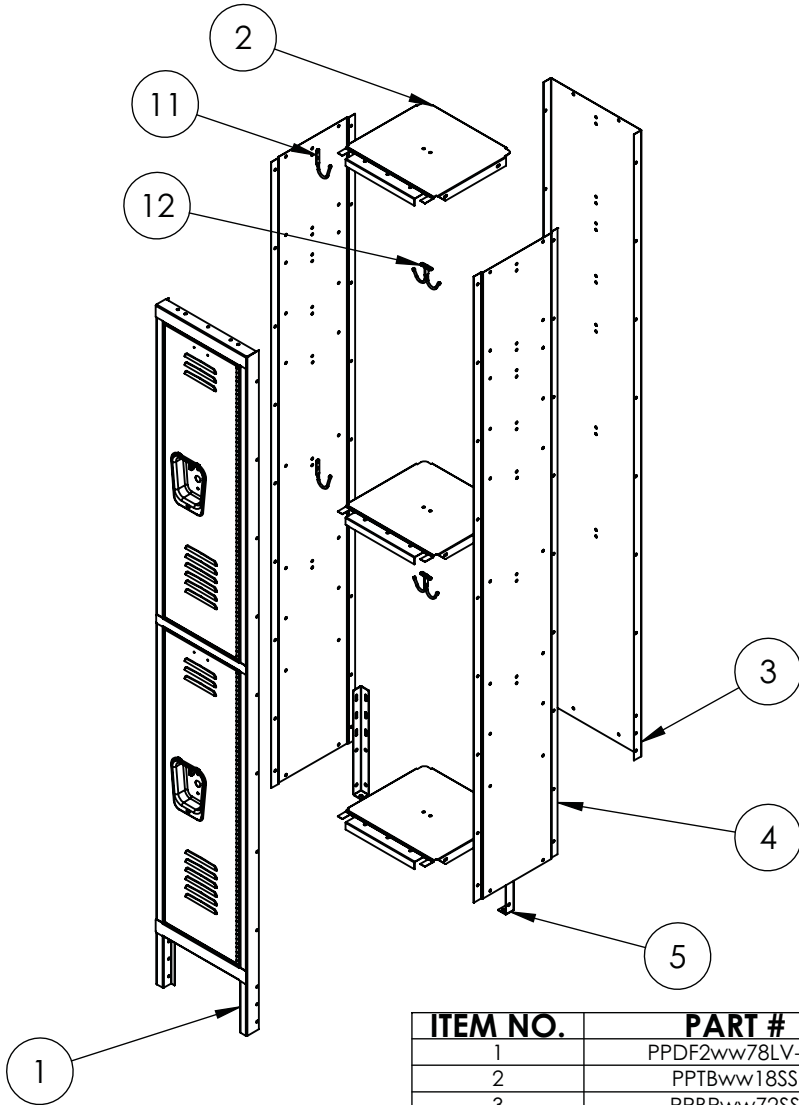
MODEL NUMBER  
PURCHASE DATE  
DESCRIPTION OF PART(S) NEEDED & PART NUMBER(S) AS SHOWN IN PARTS LIST

COMPANY NAME & CONTACT PERSON  
WHERE THE PRODUCT WAS PURCHASED

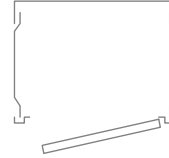
IF REQUESTING PARTS BY TELEPHONE, ASK FOR CUSTOMER SERVICE & PROVIDE THE ABOVE INFORMATION.



## 2 TIER STAINLESS STEEL LOCKER

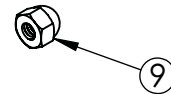
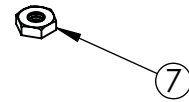


TOP VIEW OF 1-WIDE  
FOLLOW BASIC INSTRUCTIONS  
FROM 3-WIDE ASSEMBLY



SIDE PANELS  
MUST GO  
INSIDE REAR PANEL  
AND INSIDE  
FRAME.

### HARDWARE



**LEGEND**  
ww = width

ITEM NO.	PART #	DESCRIPTION	QTY
1	PPDF2ww78LV-SS	DOOR/FRAME	1
2	PPTBww18SS	TOP/BOTTOM	3
3	PPBPww72SS	BACK PANEL	1
4	PPSP1872SS	SIDE PANEL	2
5	PPRL06SS	REAR LEGS	2
7	N201	10-24 HEX NUT	76
8	MBT200	10-24 X 3/8	80
9	N110	10-24 DOME NUT	4
10	RPE100	ESCUTCHEON PLATE	2
11	H6K	WALL HOOK	4
12	H7K	CEILING HOOK	2

HALLOWELL MAKES EVERY EFFORT TO ENSURE THAT ALL UNITS SHIP COMPLETE. HOWEVER, SHOULD YOUR UNIT CONTAIN MISSING OR DAMAGED PARTS, REPLACEMENTS MAY BE OBTAINED FROM HALLOWELL. TO OBTAIN PARTS, FOLLOW THESE INSTRUCTIONS:

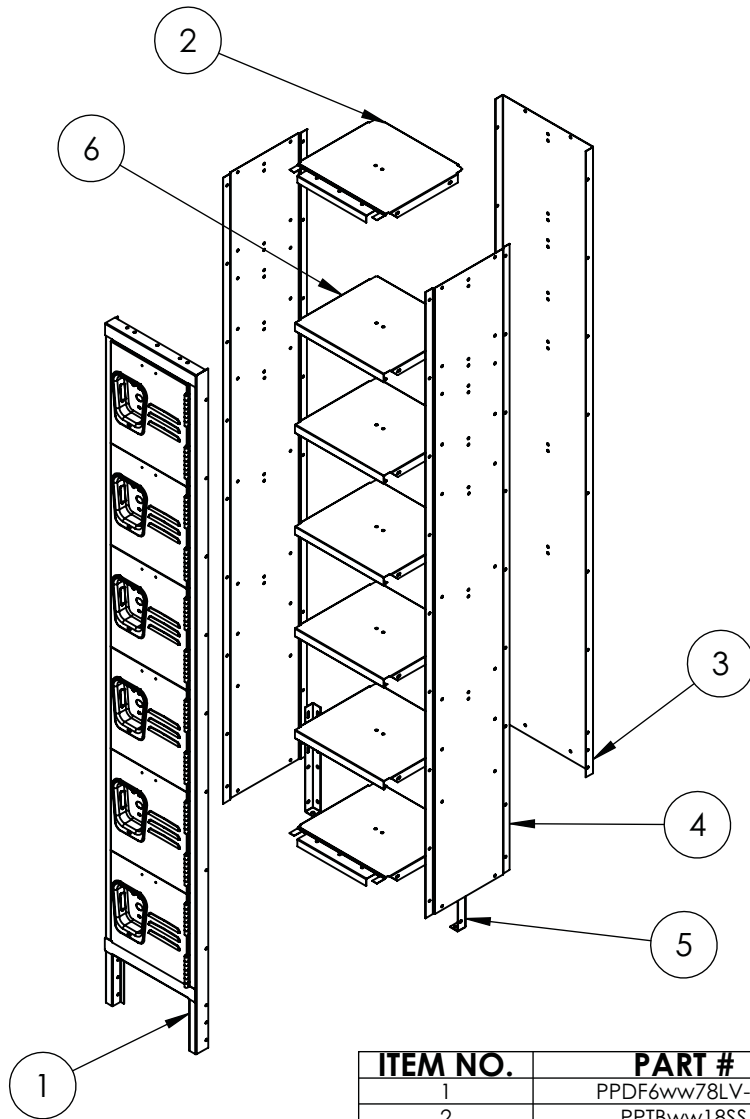
### PROVIDE THE FOLLOWING:

MODEL NUMBER                      COMPANY NAME & CONTACT PERSON  
PURCHASE DATE                    WHERE THE PRODUCT WAS PURCHASED  
DESCRIPTION OF PART(S) NEEDED & PART NUMBER(S) AS SHOWN IN PARTS LIST

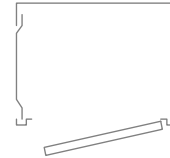
IF REQUESTING PARTS BY TELEPHONE, ASK FOR CUSTOMER SERVICE & PROVIDE THE ABOVE INFORMATION.



# 6 TIER STAINLESS STEEL LOCKER

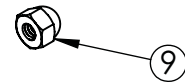
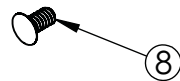
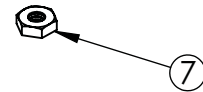


TOP VIEW OF 1-WIDE  
FOLLOW BASIC INSTRUCTIONS  
FROM 3-WIDE ASSEMBLY



SIDE PANELS  
MUST GO  
INSIDE REAR PANEL  
AND INSIDE  
FRAME.

## HARDWARE



**LEGEND**  
ww = width

ITEM NO.	PART #	DESCRIPTION	QTY
1	PPDF6ww78LV-SS	DOOR/FRAME	1
2	PPTBww18SS	TOP/BOTTOM	3
3	PPBPww72SS	BACK PANEL	1
4	PPSP1872SS	SIDE PANEL	2
5	PPRL06SS	REAR LEGS	2
6	PPHSww18SS	HAT SHELF	5
7	N201	10-24 HEX NUT	90
8	MBT200	10-24 X 3/8	102
9	N110	10-24 DOME NUT	12
10	RPE100	ESCUTCHEON PLATE	6

HALLOWELL MAKES EVERY EFFORT TO ENSURE THAT ALL UNITS SHIP COMPLETE. HOWEVER, SHOULD YOUR UNIT CONTAIN MISSING OR DAMAGED PARTS, REPLACEMENTS MAY BE OBTAINED FROM HALLOWELL. TO OBTAIN PARTS, FOLLOW THESE INSTRUCTIONS:

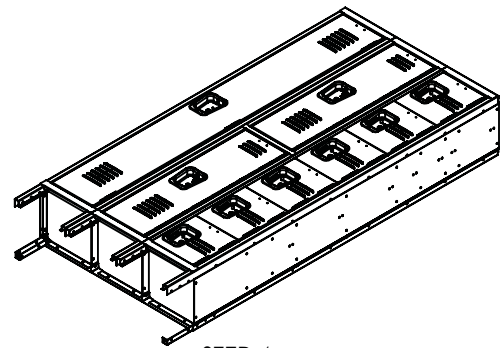
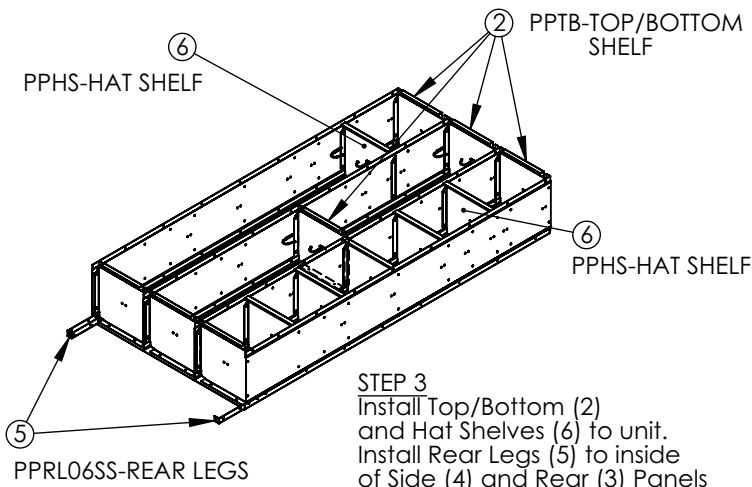
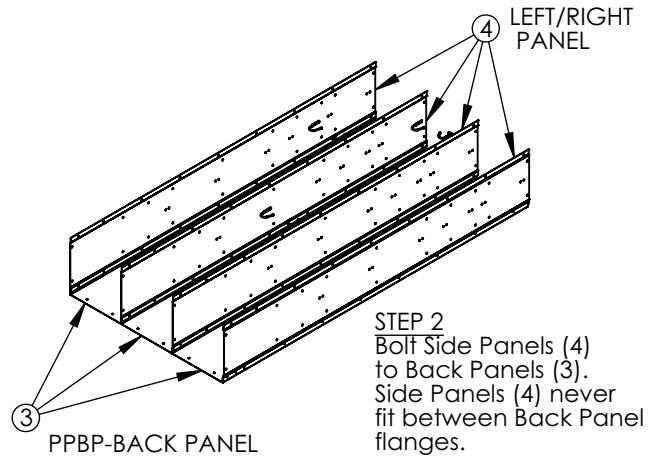
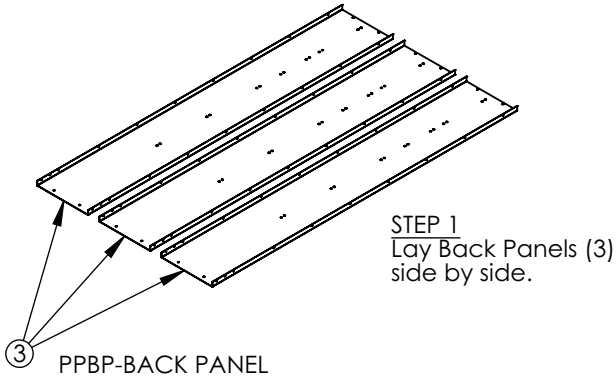
### PROVIDE THE FOLLOWING:

MODEL NUMBER                      COMPANY NAME & CONTACT PERSON  
PURCHASE DATE                    WHERE THE PRODUCT WAS PURCHASED  
DESCRIPTION OF PART(S) NEEDED & PART NUMBER(S) AS SHOWN IN PARTS LIST

IF REQUESTING PARTS BY TELEPHONE, ASK FOR CUSTOMER SERVICE & PROVIDE THE ABOVE INFORMATION.

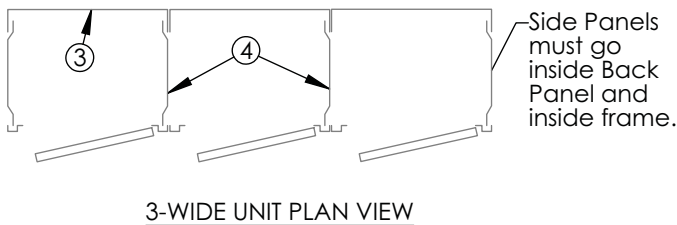


# GENERAL ASSEMBLY OF STAINLESS STEEL LOCKERS

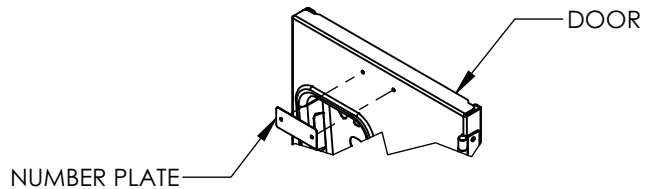


NOTE: When bolting one unit to another, omit one set of bolts in end frame and side to minimize growth from bolt heads.

## ASSEMBLY OF SINGLE ROW LOCKERS NEVER PUT SIDE PANEL BETWEEN FRAME



## ATTACH NUMBER PLATE WITH RIVETS



## HARWARE



10-24 X 3/8 SLOTLESS BOLT  
MBT200



10-24 HEX NUT  
N201

