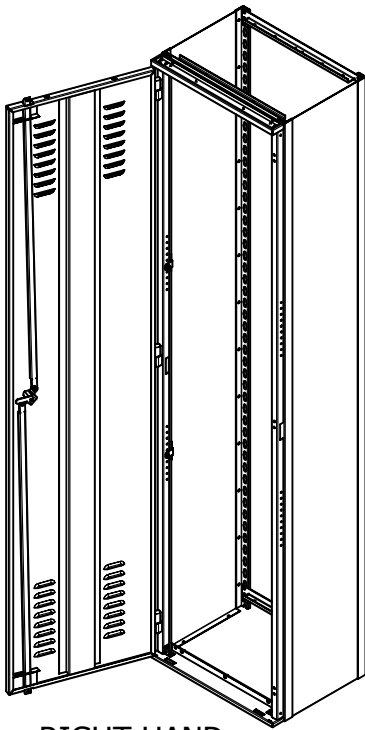
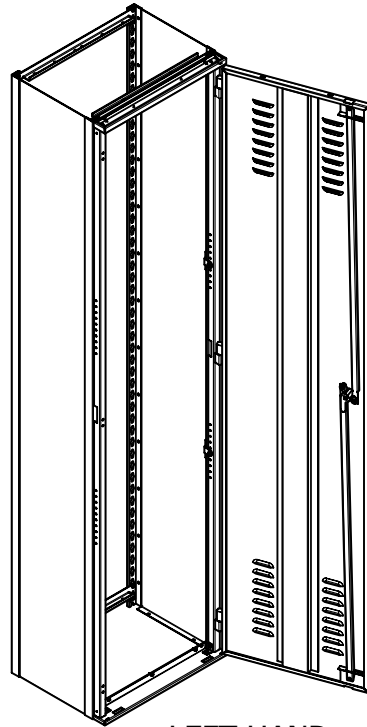


Police Gear Storage Lockers Assembly Guide

SMS-05-V25-PLOC



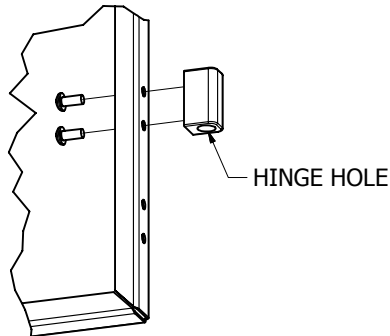
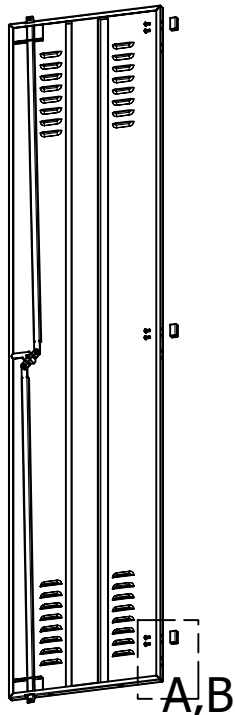
RIGHT HAND
DOOR



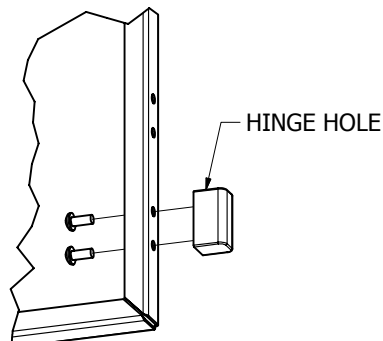
LEFT HAND
DOOR

BEFORE BEGINNING

Determine whether you will be mounting the door as a left hand door or a right hand door. Doors are configured in the right hand orientation from the factory.



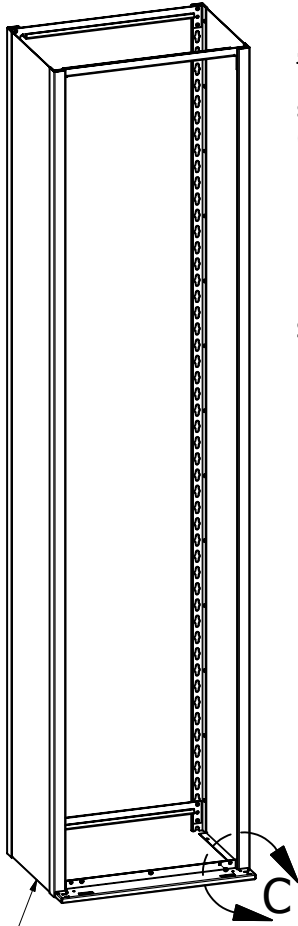
DETAIL A
(RIGHT HAND DOOR)



DETAIL B
(LEFT HAND DOOR)

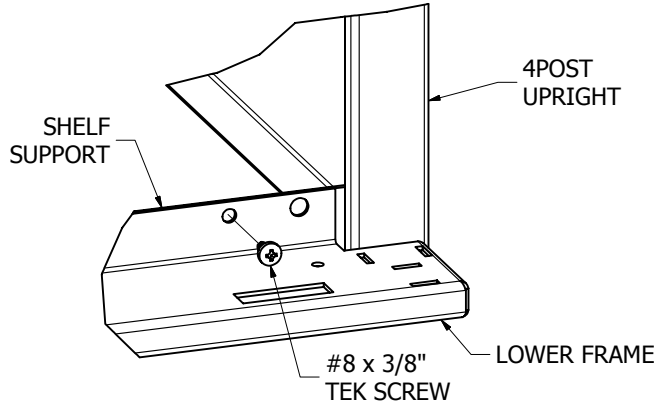
SWITCHING THE DOOR TO LEFT HAND ORIENTATION

Remove the (2) #10-32 screws holding the hinge in place. Flip the hinge over so that the hole is facing the opposite direction. Reinstall the hinge in the door holes that were previously unused. Repeat for the remaining (2) hinges.



STEP 1

Place the lower frame on the floor in front of the 4Post unit. Slide the frame against the front shelf support, as shown in Detail C. Making sure the base is centered between the uprights, drill (3) #8 x 3/8" Tek screws to attach the frame to the shelf support.

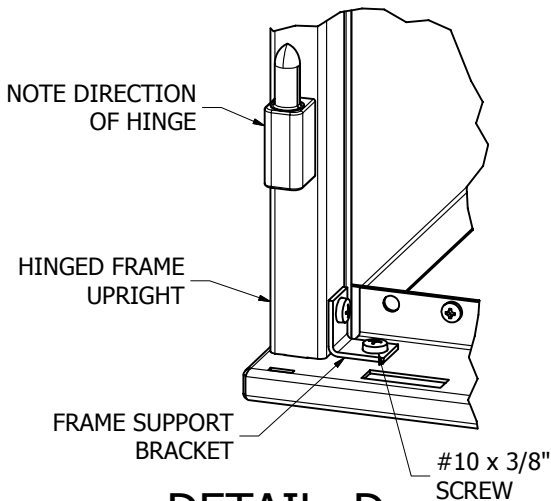


DETAIL C

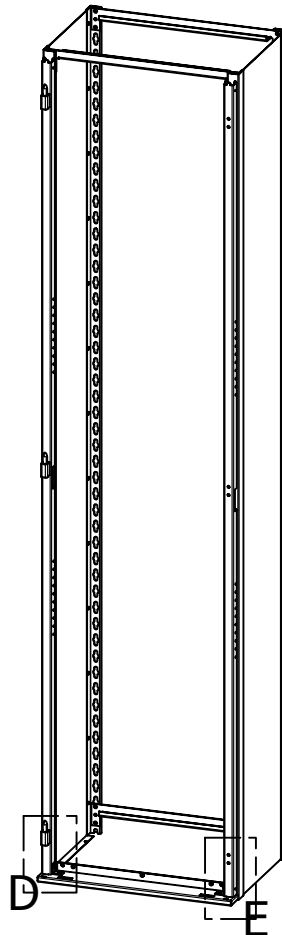
4POST UNIT

RIGHT HAND DOOR STEP 2

Place the hinged frame upright into the left side slots of the lower frame as shown in Detail D. The hinge pegs must be facing upwards. Attach the upright to the lower frame using a frame support bracket and (2) #10 x 3/8" screws, as shown.

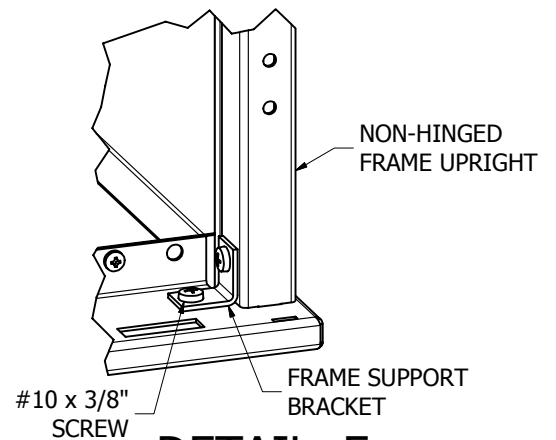


DETAIL D



RIGHT HAND DOOR STEP 3

Place the non-hinged frame upright into the right side slots of the lower frame as shown in Detail E. Attach the upright to the lower frame using a frame support bracket and (2) #10 x 3/8" screws, as shown.



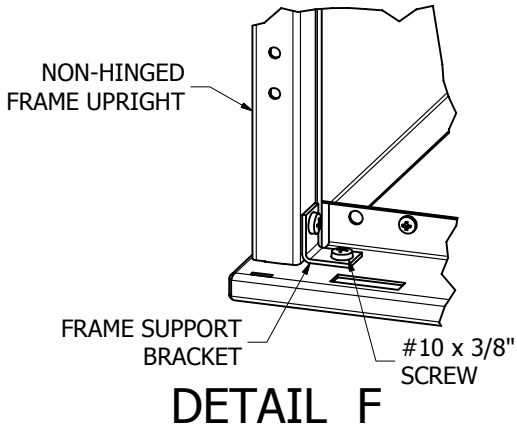
DETAIL E

(SHOWN FROM OPPOSITE SIDE)



LEFT HAND DOOR STEP 2

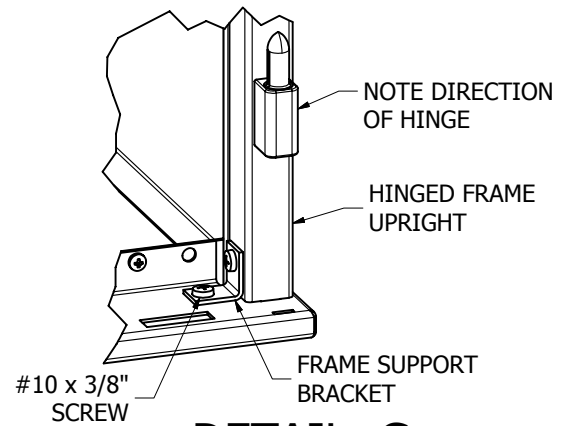
Place the non-hinged frame upright into the left side slots of the lower frame as shown in Detail F. Attach the upright to the lower frame using a frame support bracket and (2) #10 x 3/8" screws, as shown.



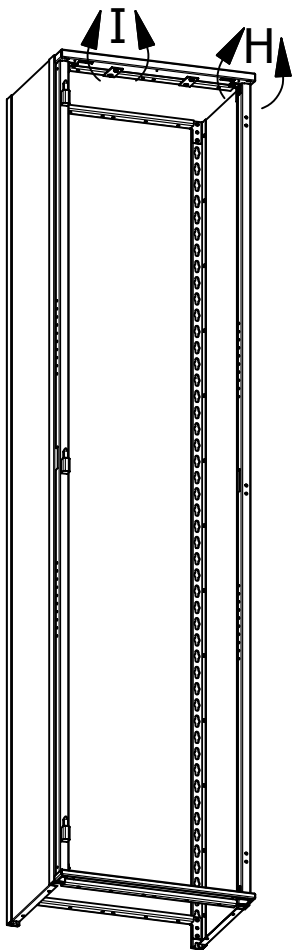
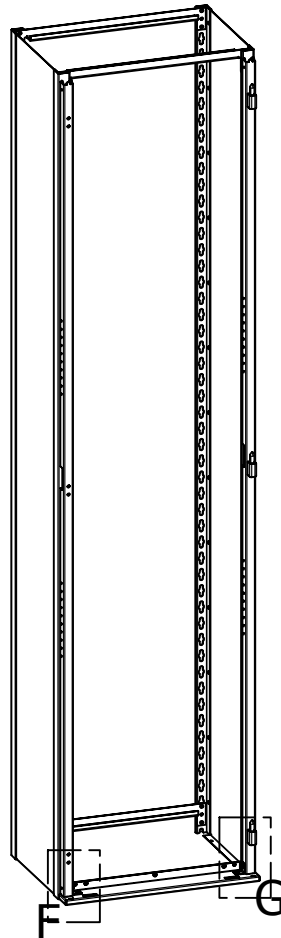
DETAIL F

LEFT HAND DOOR STEP 3

Place the hinged frame upright into the right side slots of the lower frame as shown in Detail G. The hinge pegs must be facing upwards. Attach the upright to the lower frame using a frame support bracket and (2) #10 x 3/8" screws, as shown.

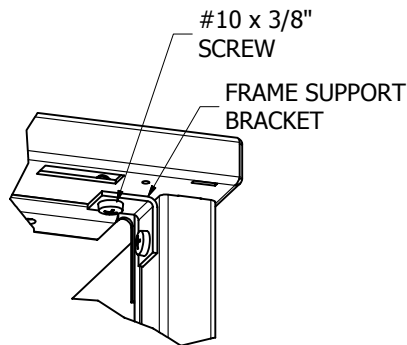


DETAIL G



STEP 4

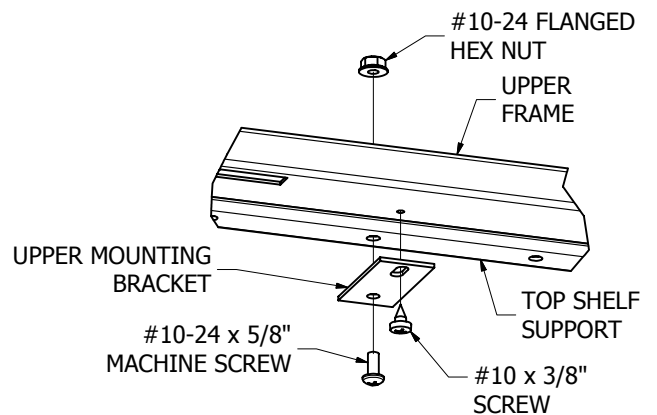
Attach the upper frame to the left and right uprights, similar to steps 2 & 3.



DETAIL H

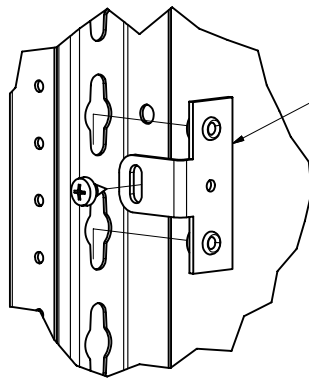
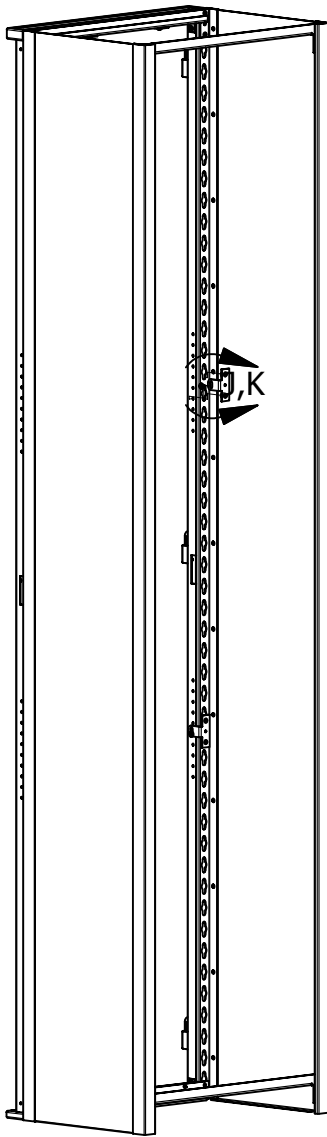
STEP 5

Secure the upper frame to the 4Post unit top shelf support using (2) upper mounting brackets and hardware as shown in Detail I.



DETAIL I

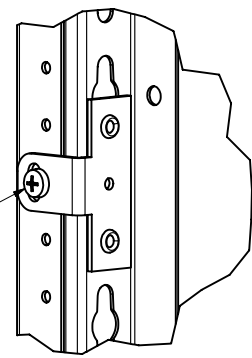




CLAMPING BRACKET

#10 x 3/8" SCREW

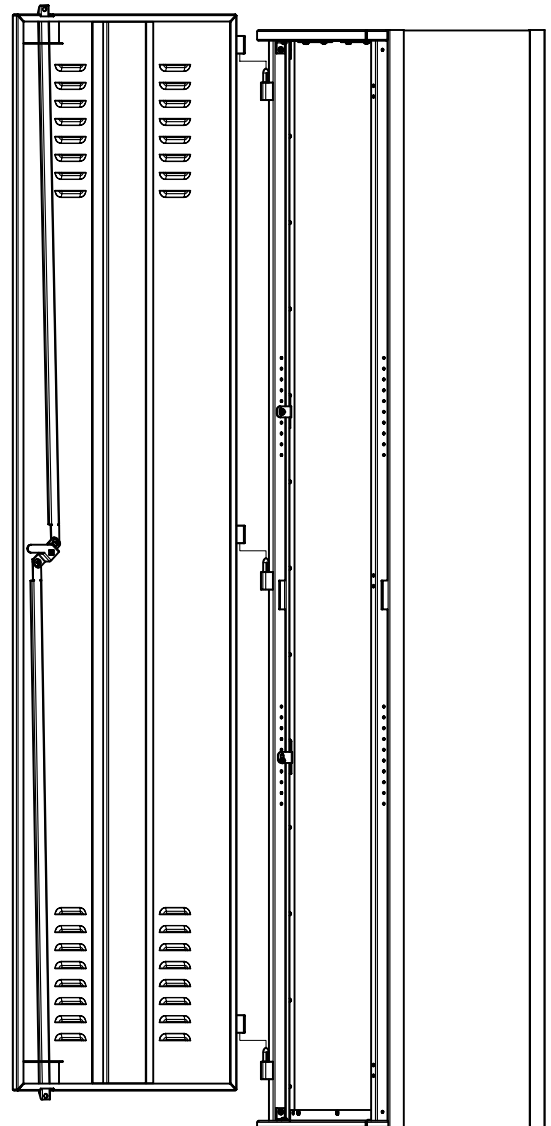
DETAIL J



DETAIL K

STEP 6

Place the door clamping bracket into keyholes that are adjacent to the holes in the uprights. Use #10 x 3/8" screws to hold the clamping bracket to the upright. Repeat for all 4 locations.



STEP 7

Attach the door to the frame by sliding the door onto the hinges.

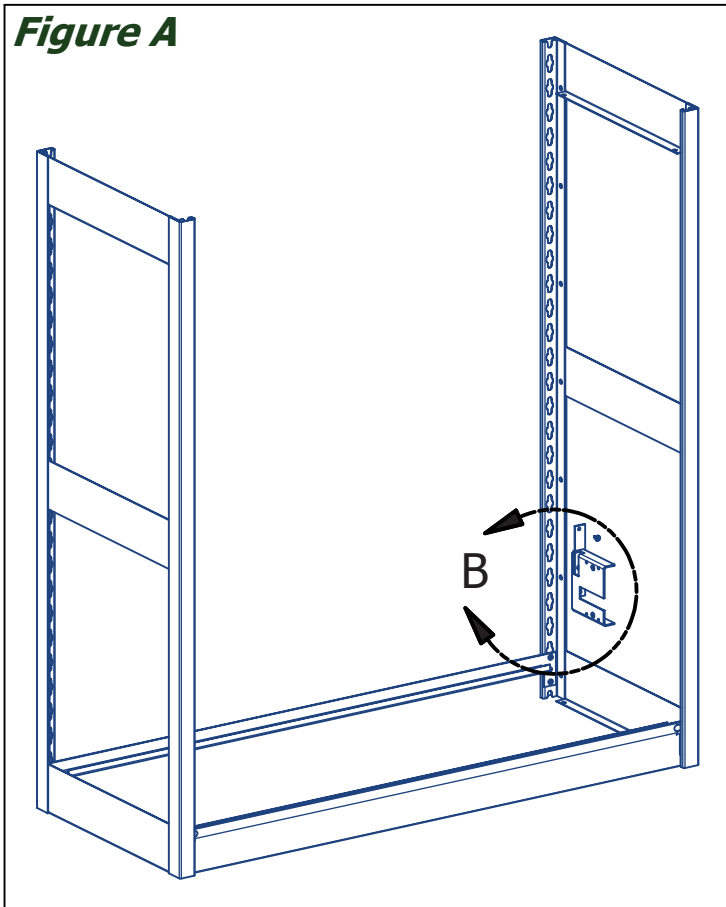


4POST PENDAFLEX DRAWER INSTALLATION INSTRUCTIONS

WARNING

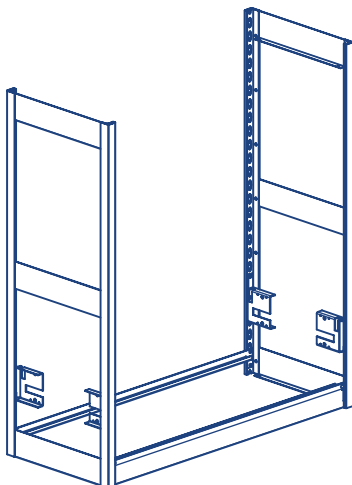
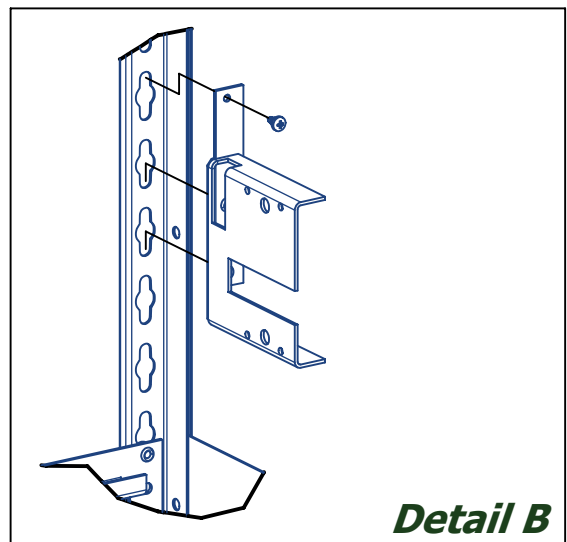
- Single entry units must be attached to wall
- Never open more than one drawer at a time
- Do not step on drawers
- When positioning drawer in unit, be certain that there is adequate clearance above & below drawer

Figure A

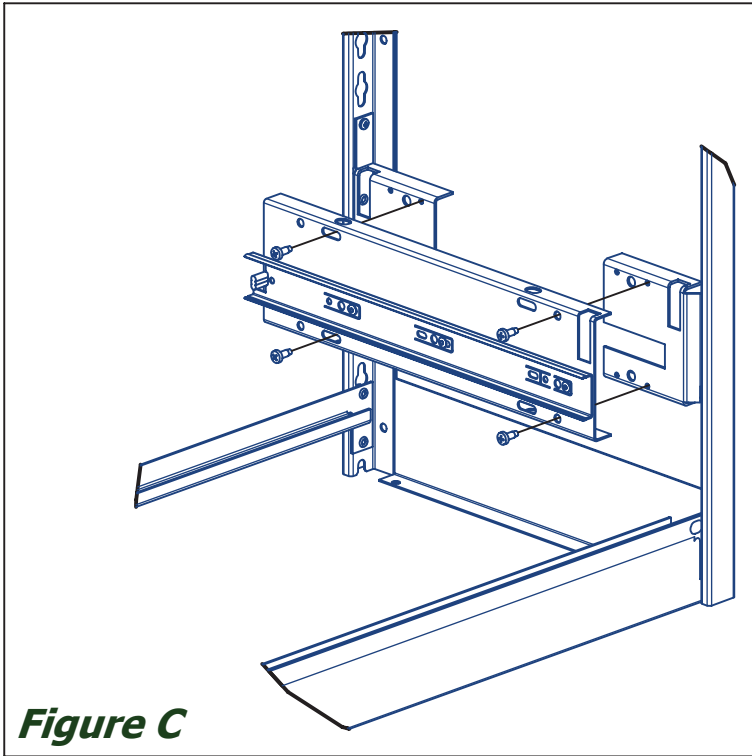


Step 1: Insert rivets of Mounting Bracket into desired location on upright. Seat rivets into bottom of slots by tapping bracket with rubber mallet. See *Figure A & Detail B*. Repeat for remaining brackets.

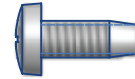
Step 2: To ensure the integrity of the support system, a #8 x 3/8" screw will be used to secure each bracket to the upright. See *Detail B*.



4POST PENDAFLEX DRAWER INSTALLATION INSTRUCTIONS

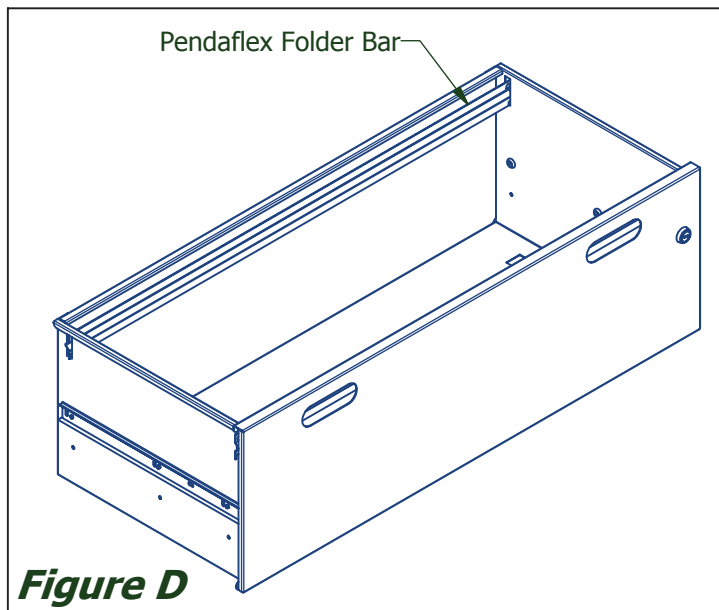


Step 3: Pay attention to orientation of suspension attached to Support Bracket before fastening to Mounting Brackets. Make sure suspensions slide out towards front of unit. Notch must be on top-front for right hand side and on top-rear for left hand side. Attach appropriate Support Bracket to each side with four #10 x 1/2" Screws as shown in *Figure C*.



#8-32 x 1/2" Type 'F'
Phillips Pan Head
Self-Threading Screw

Figure C



Step 4: Install Pendaflex Folder Bars by simply sliding them through the slots in the side of the drawer (Figure D).

Step 5: Align suspensions & slide drawer into cabinet to install. See *Figure E*.

NOTE:

Not all hardware will be used. There will be some extra pieces left over when finished.

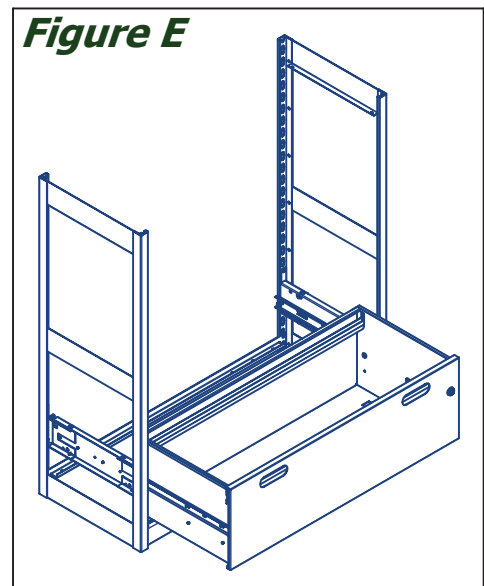
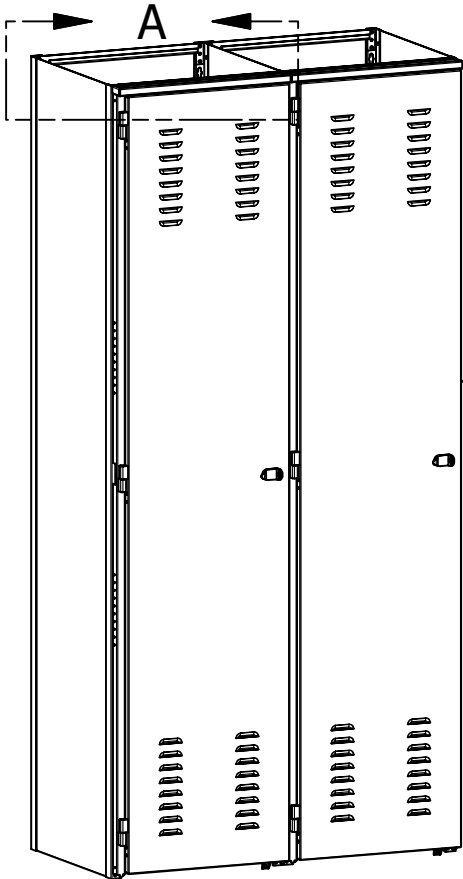


Figure E



4Post Single Sided Sloped Top Installation Instructions

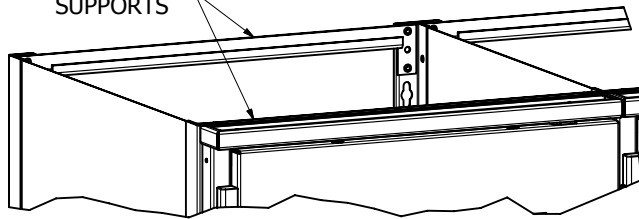


BEFORE BEGINNING

Assemble the 4Post shelving units, up to and including the top shelf supports, and 4Post doors.

4POST
DOOR

TOP SHELF
SUPPORTS



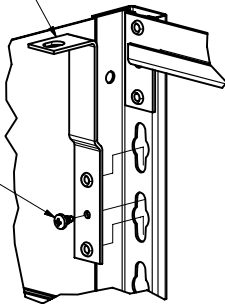
DETAIL A

STEP 1

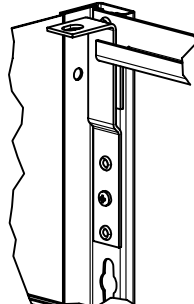
Install Top Cover Locking Brackets at all (4) corners of each opening. Insert the locking brackets into the open keyholes directly below the top shelf supports. Screw a #8 x 3/8" Tek screw through the locking bracket and into the keyhole, preventing the bracket from being removed.

TOP COVER
LOCKING BRACKET

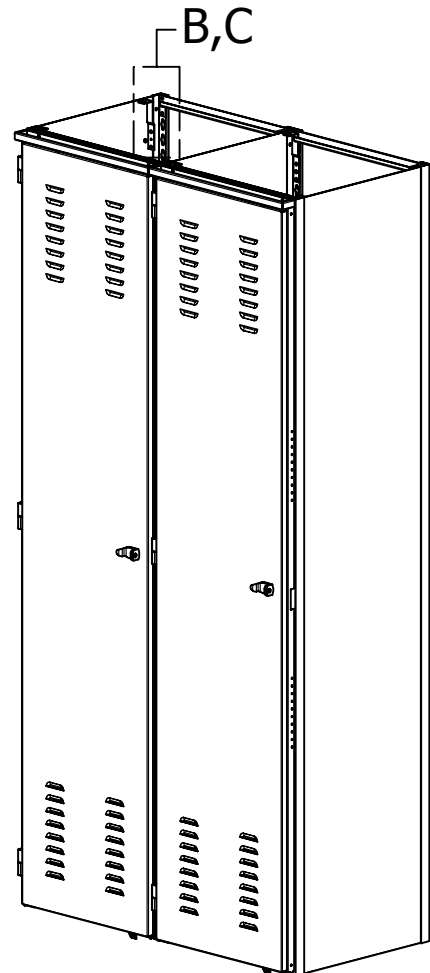
#8 x 3/8"
TEK SCREW

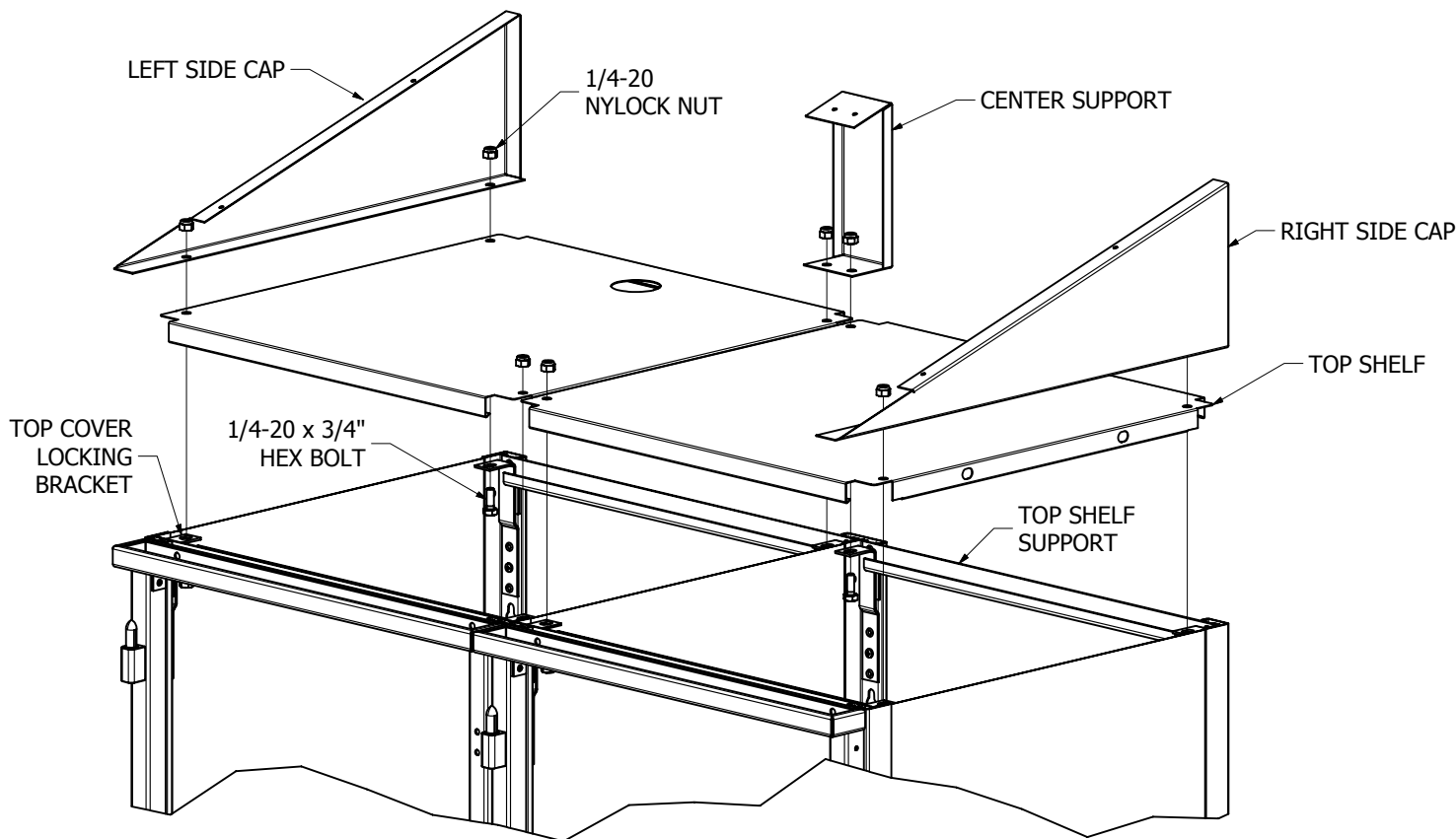


DETAIL B



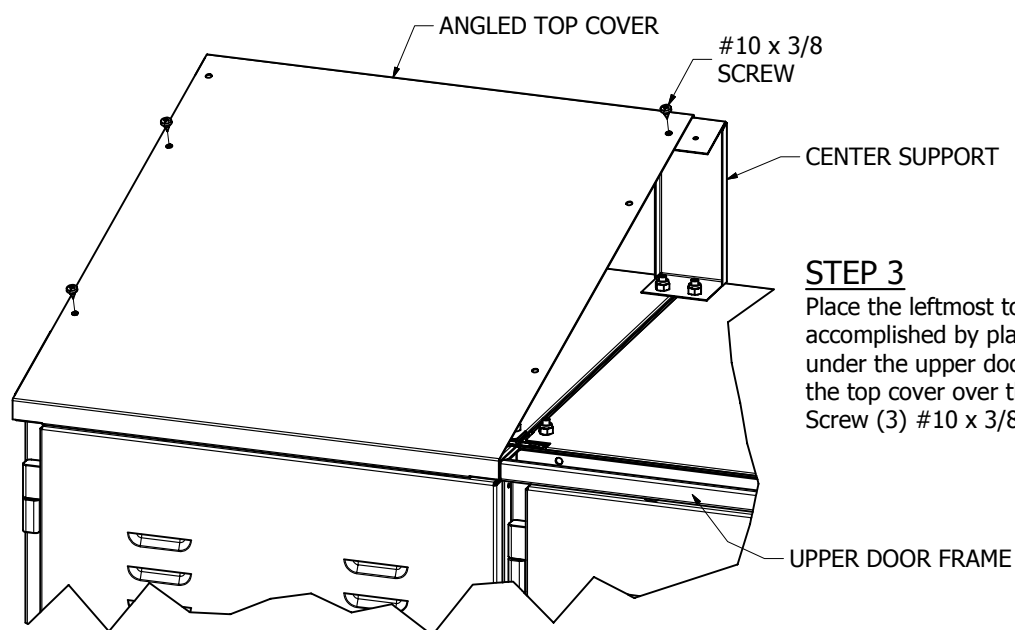
DETAIL C





STEP 2

Place top shelves on top of the top shelf supports. Place the left side cap at the leftmost end of the 4Post shelving. Attach it to the top shelf using (2) 1/4-20 x 3/4" hex bolts. Bolts will be placed through the locking bracket, then the top shelf and lastly the left side cap. Place the right side cap at the rightmost end of the shelving. Attach the right side cap in the same manner as the left side cap. Place a center support at each 4Post upright between the side caps. Attach the front locking brackets to the top shelves.



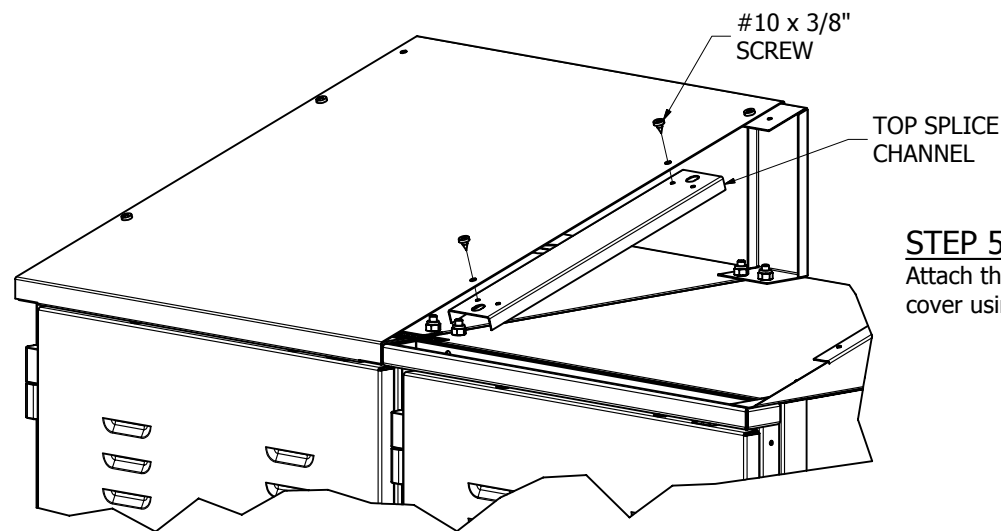
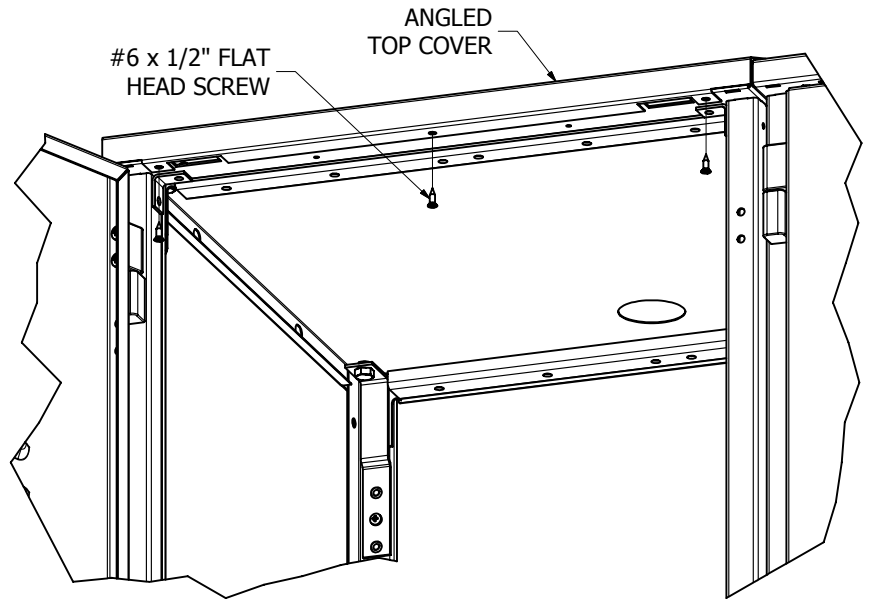
STEP 3

Place the leftmost top cover onto the unit. This is accomplished by placing the bottom top cover flange under the upper door frame and "snapping" the back of the top cover over the side cap and center support. Screw (3) #10 x 3/8" screws through angled top cover.



STEP 4

Attach the angled top cover to the underside of the upper door frame using (3) #6 x 1/2" flat head screws.



STEP 5

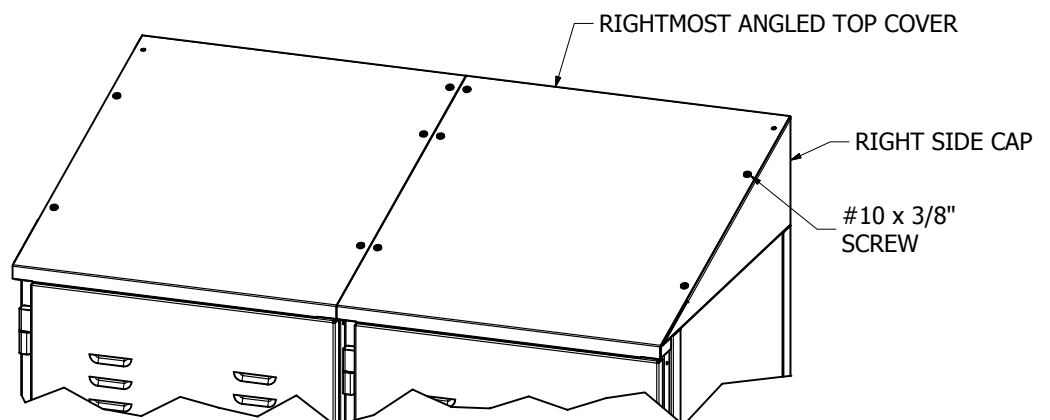
Attach the top splice channel to the angled top cover using (2) #10 x 3/8" screws.

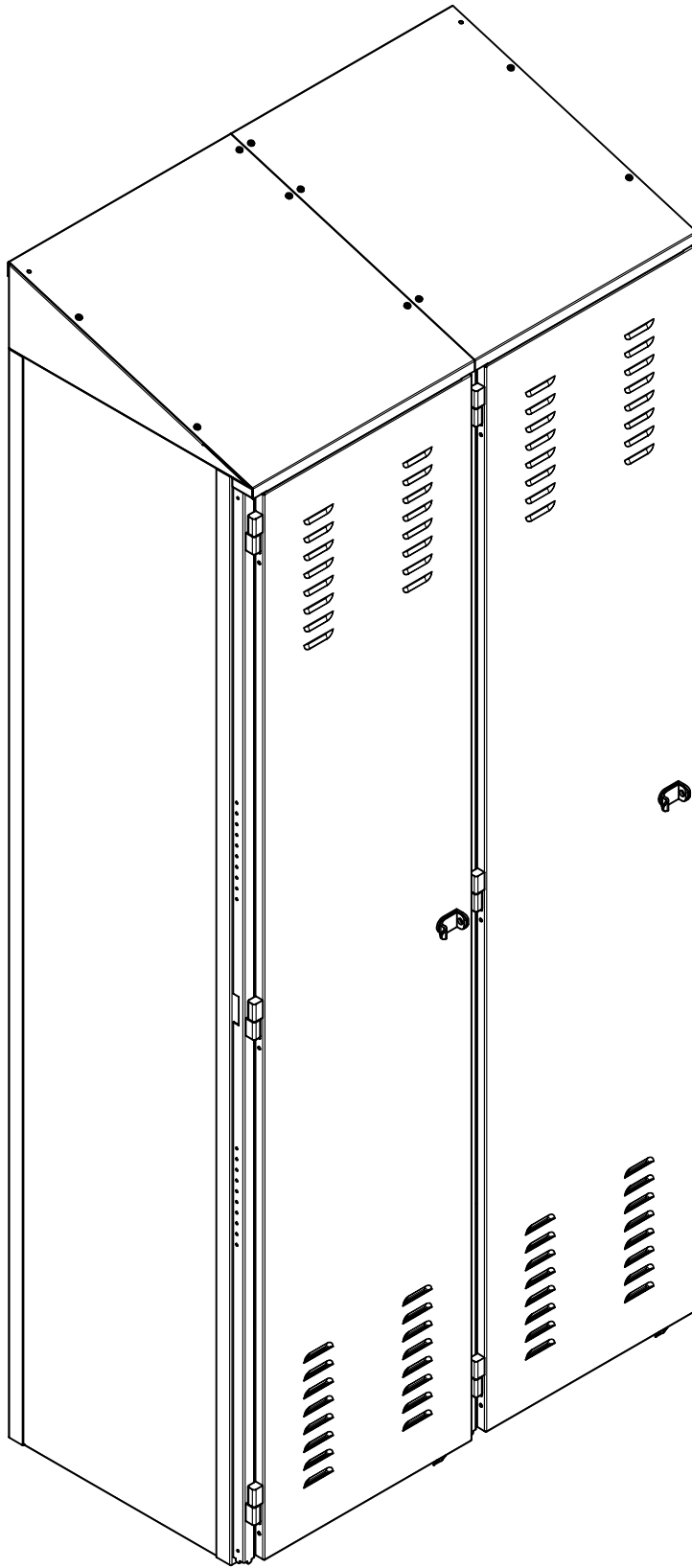
STEP 6

Repeat steps 3 thru 5 for the remaining angled top covers.

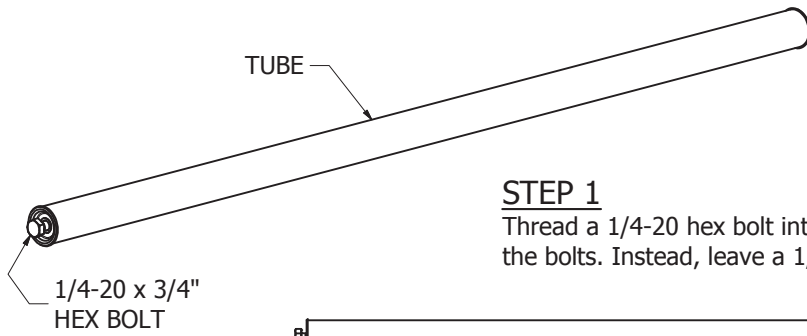
STEP 7

For the rightmost angled top cover, attach the right side of the cover to the right side cap.



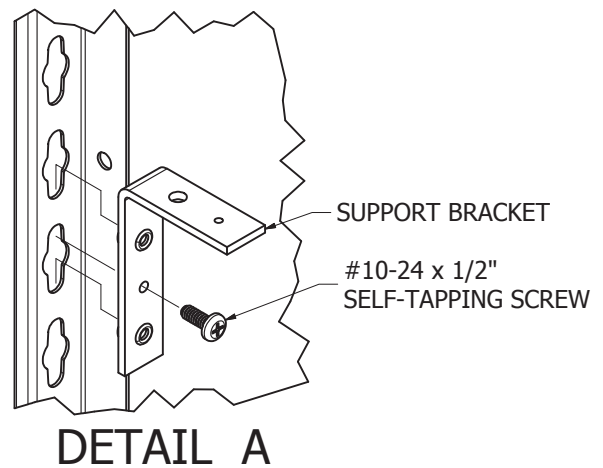
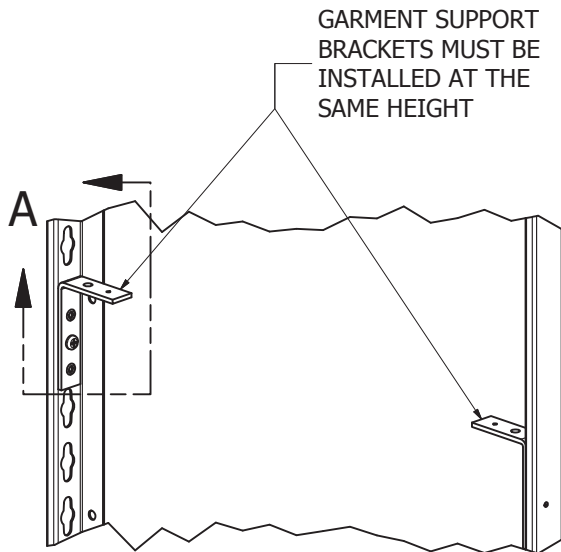
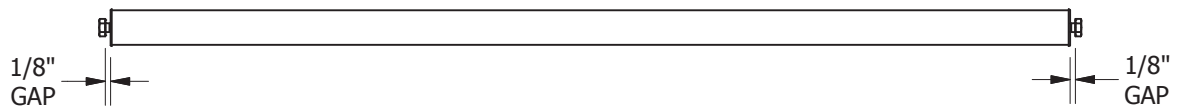


4Post Garment Rod Assembly Instructions



STEP 1

Thread a 1/4-20 hex bolt into each side of the garment tube. Do not fully tighten the bolts. Instead, leave a 1/8" gap between the bolt head & the threaded insert.

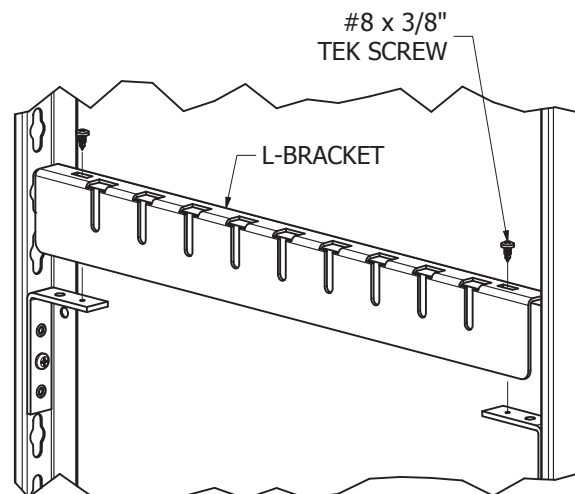


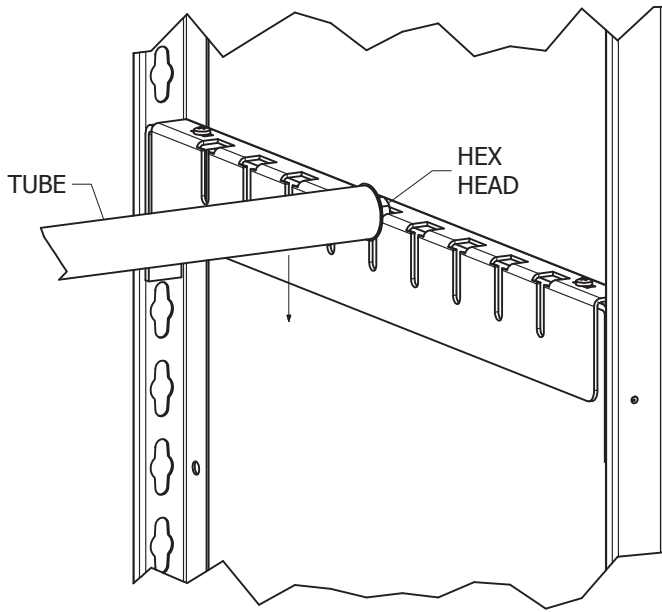
STEP 2

There needs to be a support bracket attached to each corner of the 4Post unit to mount the garment rack. To install the garment rack correctly, support brackets must be level with each other. To attach brackets, simply seat the rivets of the support brackets into the bottom of the upright keyholes. Once all the brackets are in their proper location, secure them into the uprights using #10-24 self-tapping screws (See Detail A). NOTE: Support brackets may be installed upside down if necessary for your application.

STEP 3

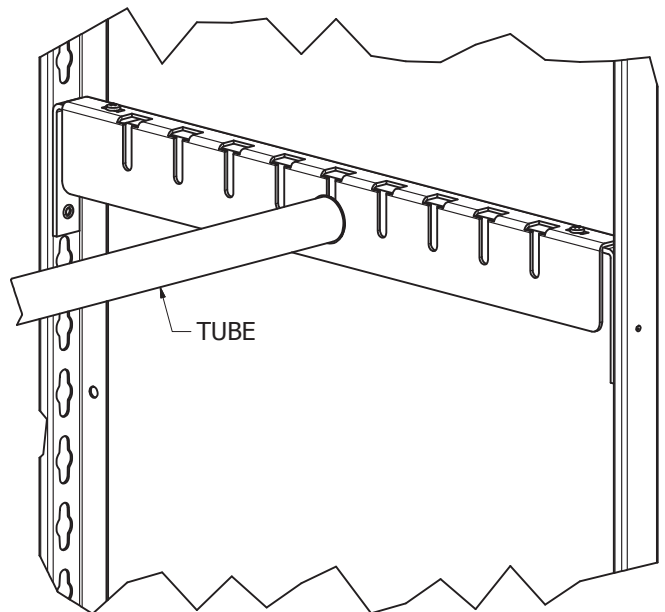
Place an L-Bracket over the support brackets. Attach the L-Bracket with #8 x 3/8" tek screws. Repeat for the opposite side.





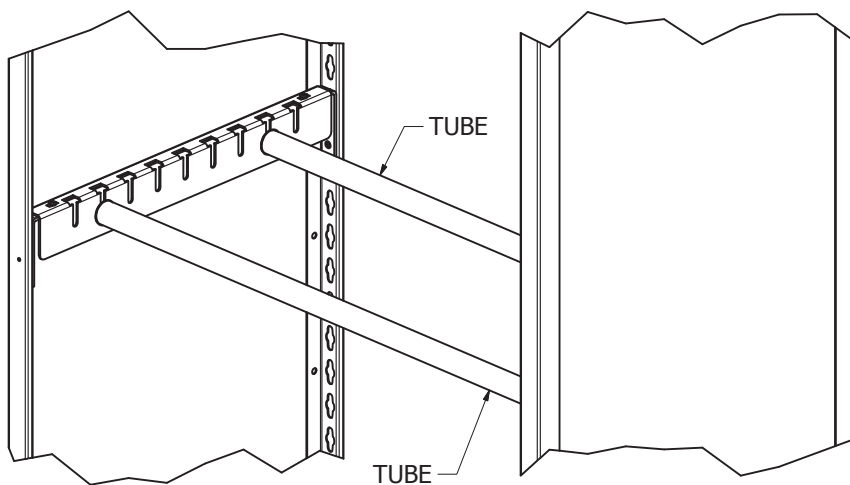
STEP 4

Place the hex heads of the tube assembly into the desired L-Bracket slot from the top. Slide the assembly downwards until it reaches the bottom of the slot.



STEP 5

Tighten the (2) 1/4-20 hex head bolts on either end with an open ended wrench. To relocate the bar; loosen both of the hex head bolts slightly and lift the bar out of the slot; repeat Step 4 for the new position.



NOTE

Multiple tubes may be used on the same L-Bracket, depending on their purpose or size. Install the extra tubes following steps 4 & 5.

