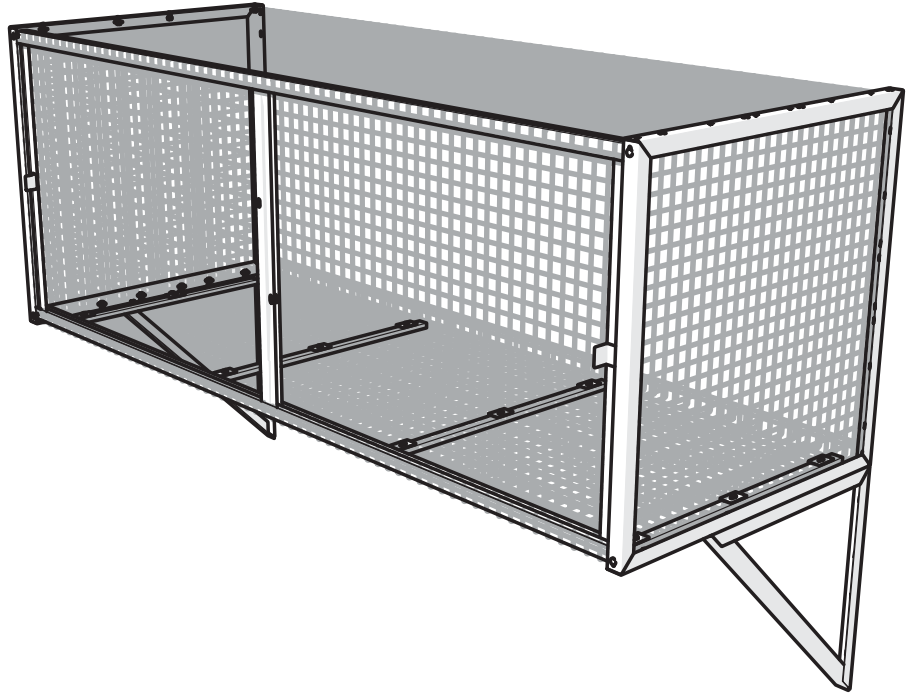


# Over Car Bonnet Storage Assembly Guide

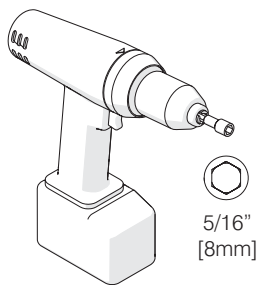
## SMS-05-V41-WM

### TABLE OF CONTENTS:

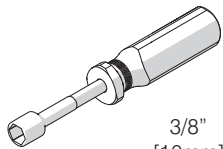
PAGE 1	COVER, TOOLS REQ'D
PAGE 2	SPECIFICATIONS PARTS LIST
PAGE 3	PARTS LIST (CONTINUED)
PAGE 4	HARDWARE PROVIDED EXPLODED VIEW
PAGE 5	ASSEMBLY INSTRUCTIONS BOTTOM PANEL SUB- ASSEMBLY
PAGE 6	ASSEMBLY INSTRUCTIONS MOUNT WALL BRACKETS ATTACH SIDE PANELS
PAGE 7	MOUNT BOTTOM PANEL
PAGE 8	SLIDE IN DOORS BOLT IN TOP PANEL



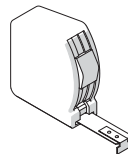
### TOOLS REQUIRED:



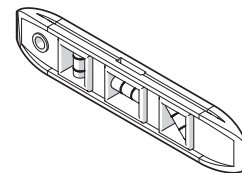
BATTERY DRILL



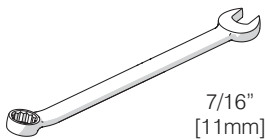
3/8"  
[10mm]



MEASURING TAPE

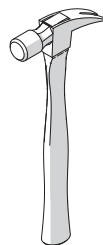


LEVEL

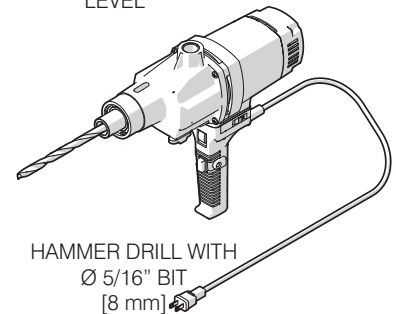


7/16"  
[11mm]

OPEN END WRENCH

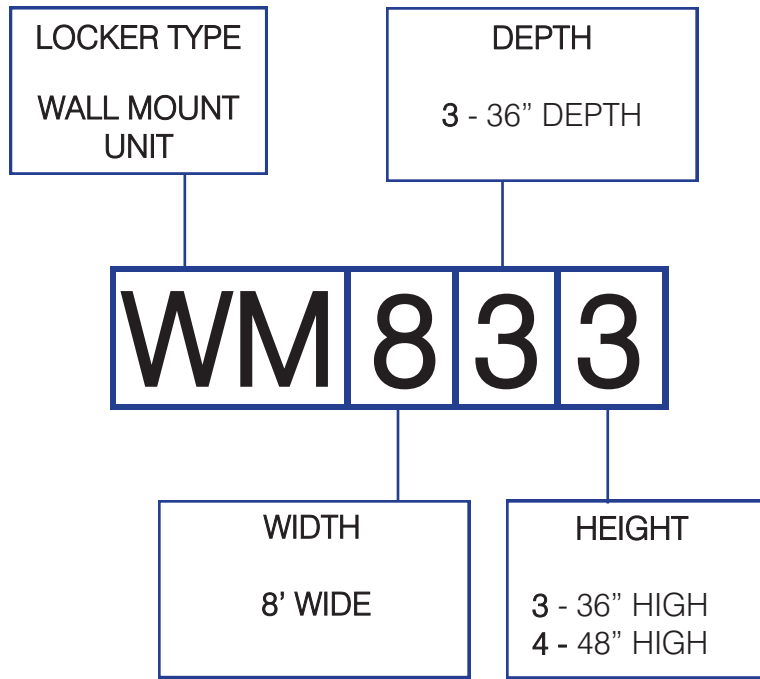


HAMMER

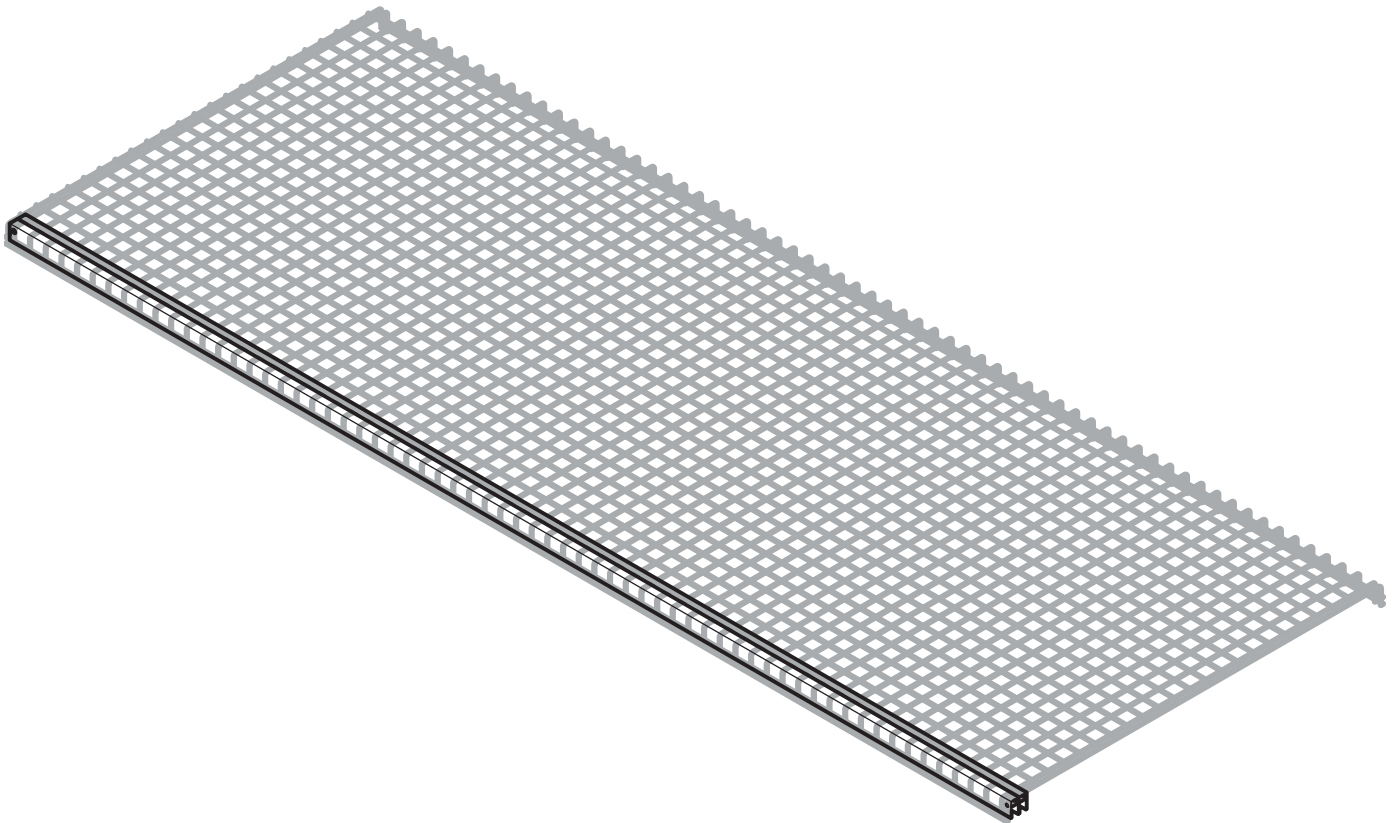


HAMMER DRILL WITH  
Ø 5/16" BIT  
[8 mm]





PARTS LIST :



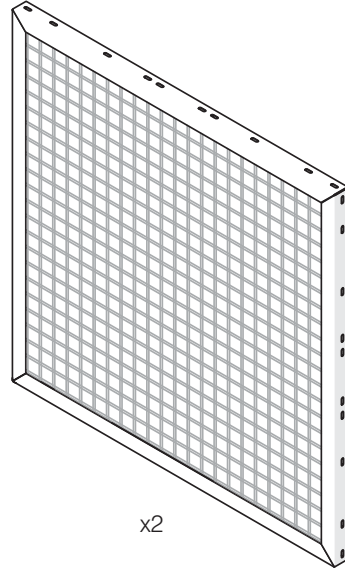
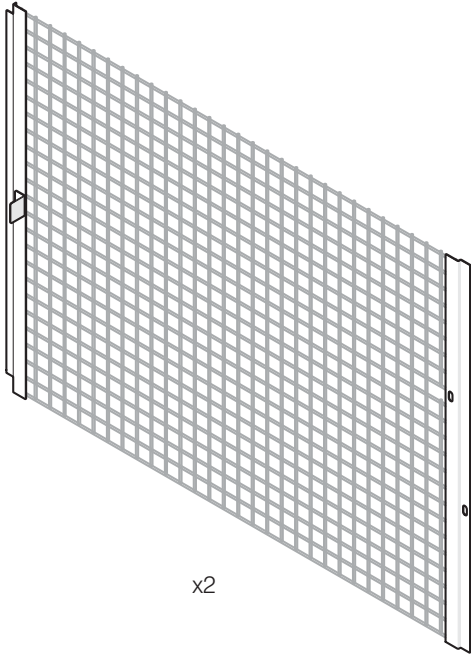
TOP AND BOTTOM  
X2



# PARTS LIST CONTINUED :

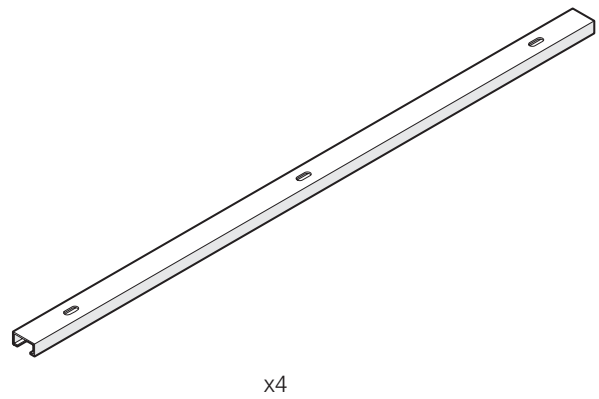
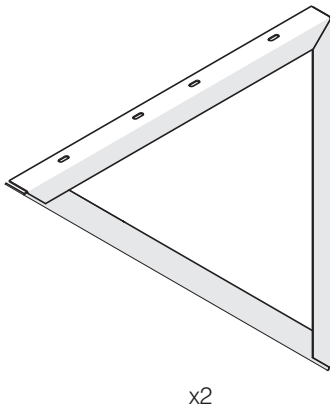
DOOR : LEFT AND RIGHT

SIDE : LEFT AND RIGHT

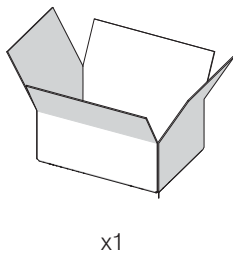


MOUNTING BRACKET: LEFT AND RIGHT

FLOOR STIFFENER CHANNEL :

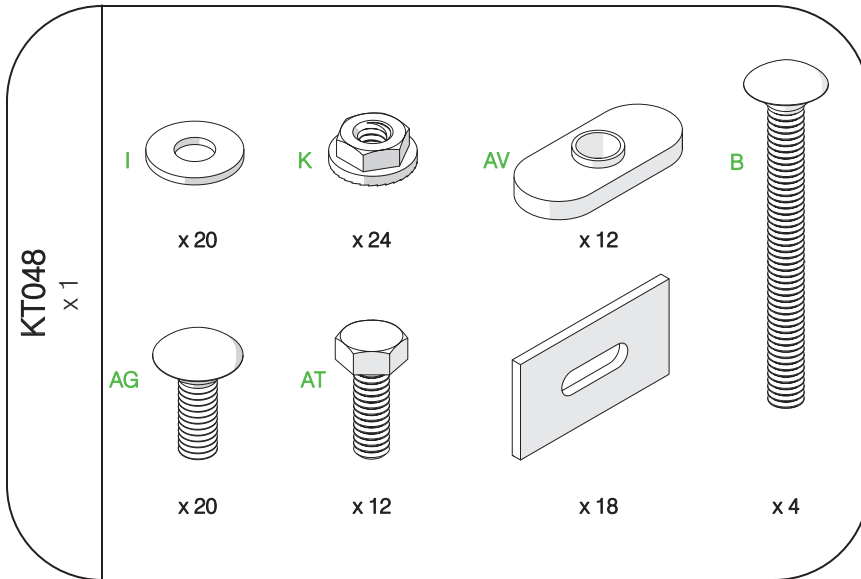


HARDWARE KIT:



# HARDWARE PROVIDED: KT048

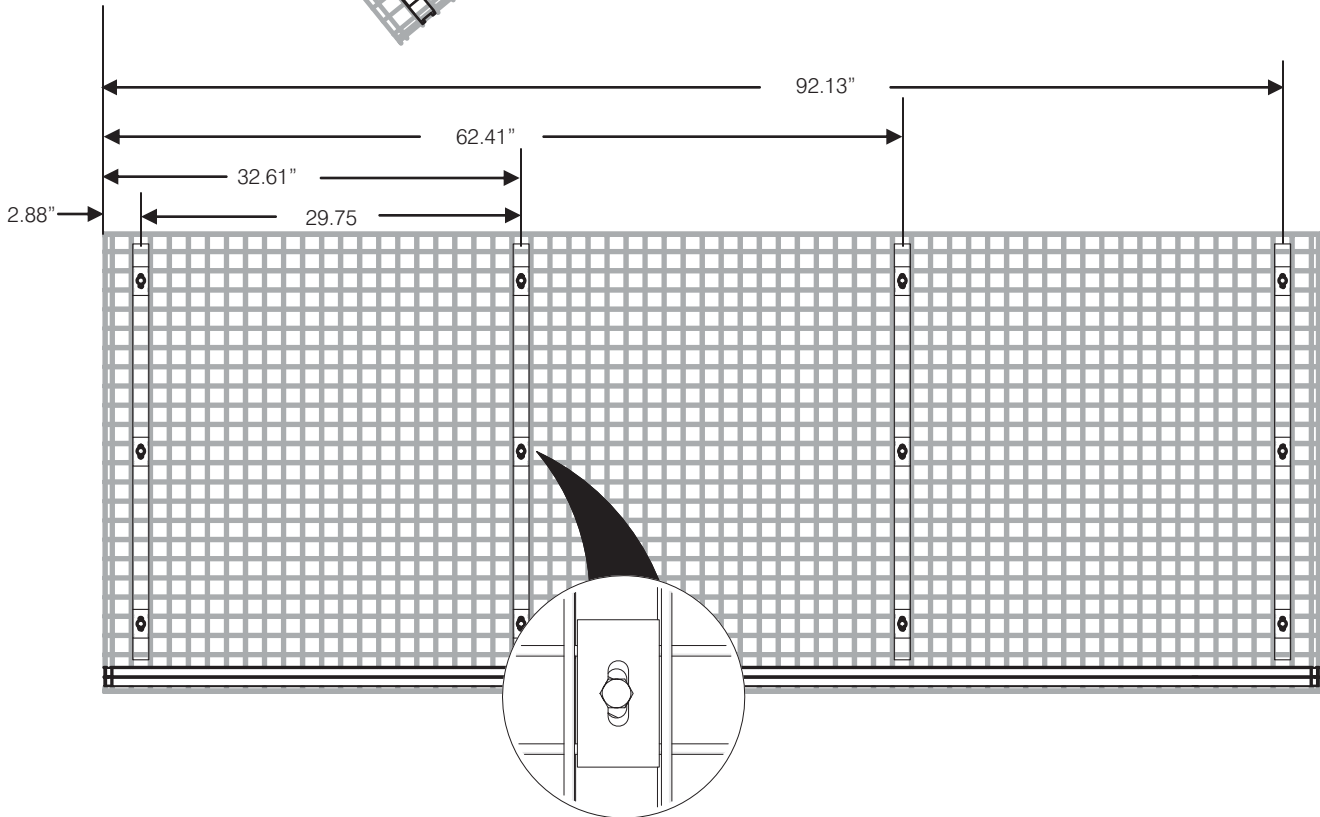
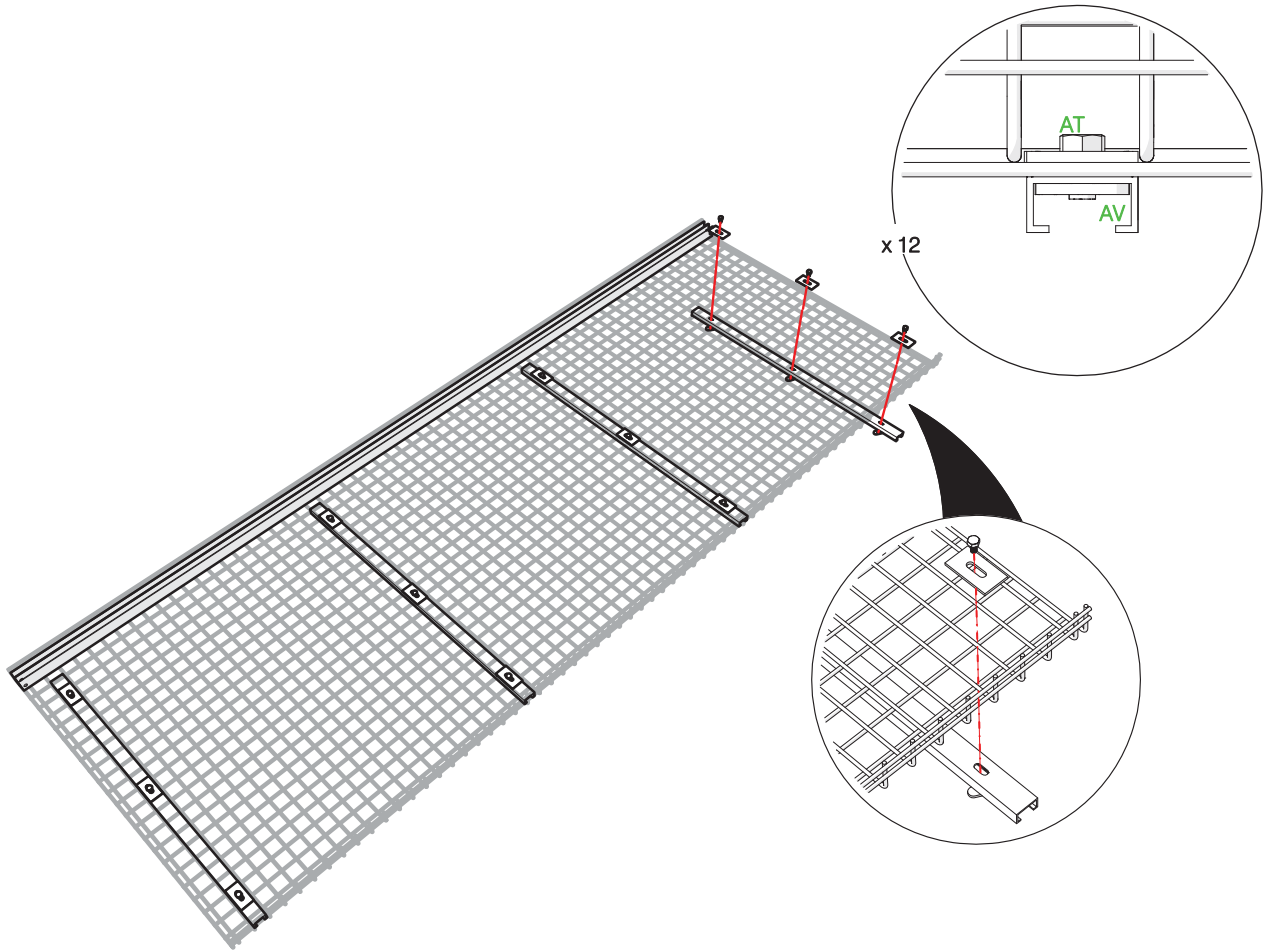
# HARDWARE LIST:



- (I) 1/4" FLAT WASHER
- (K) 1/4"-20 FLANGE NUT
- (AG) 1/4"-20 x 3/4" SQUARE NECK CARRIAGE BOLT
- (B) 1/4"-20 x 2-1/2" SQUARE NECK CARRIAGE BOLT
- (AT) 1/4"-20 x 3/4" Hex Bolt
- (AV) 1/4"-20 Bridge Nut



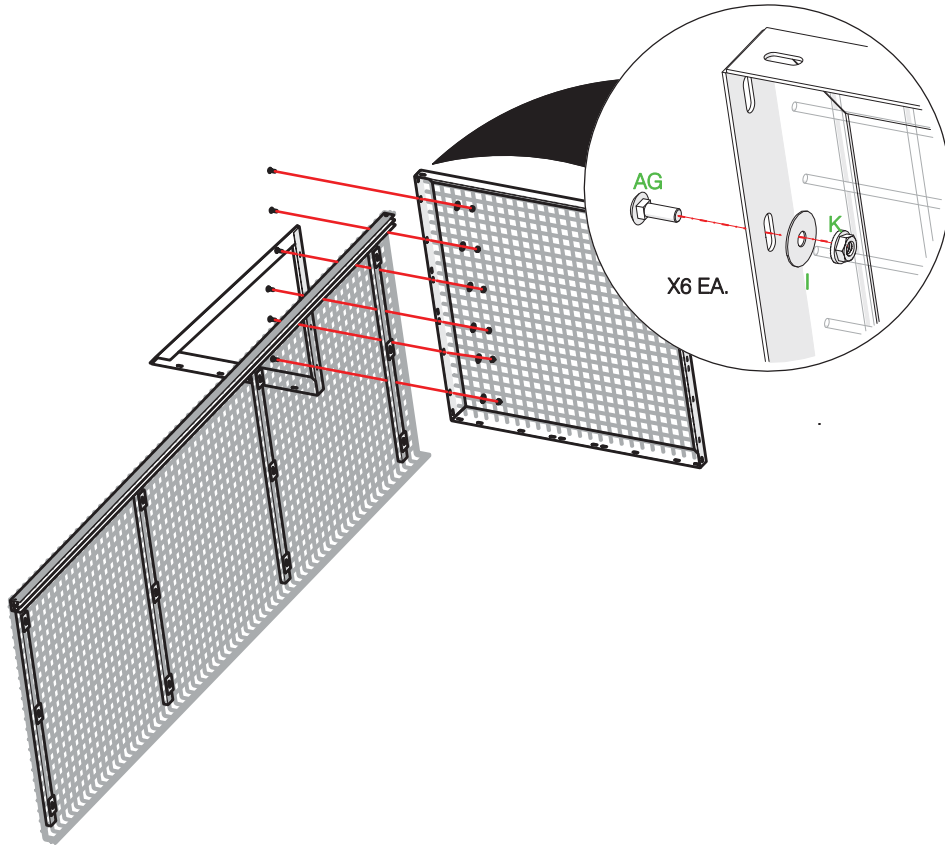
# 1



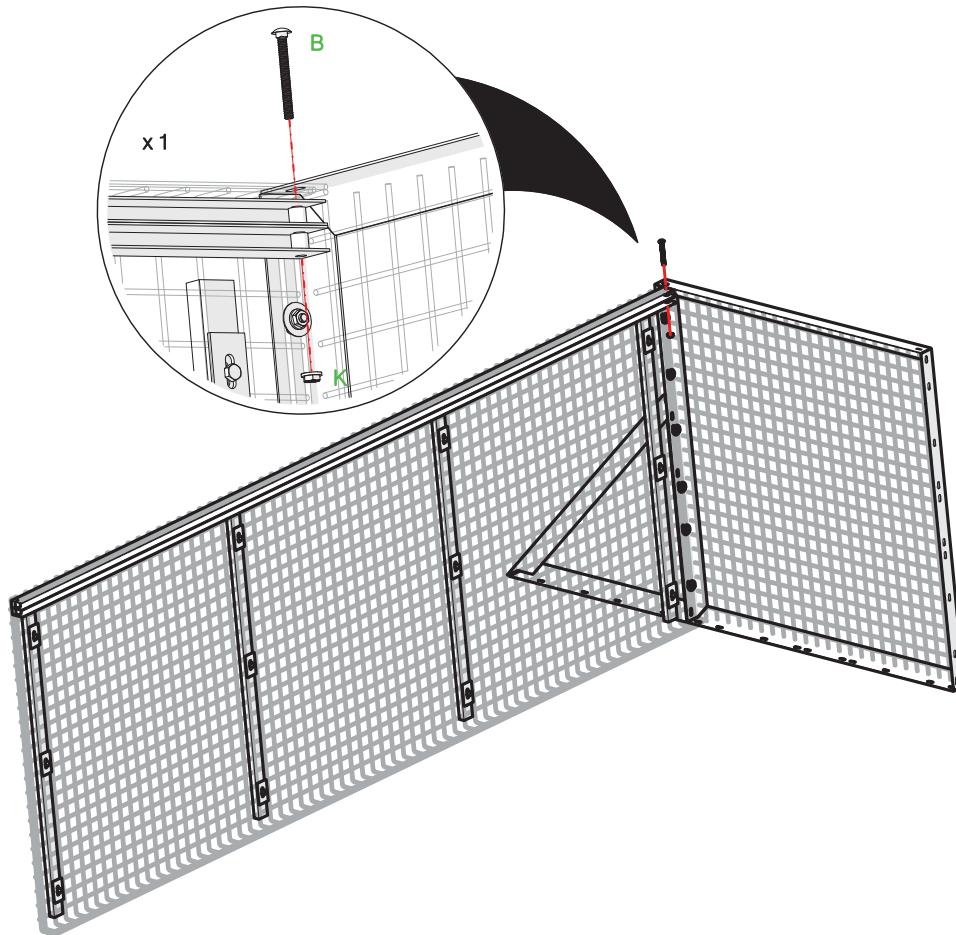
OVERLAP 2 WIRES



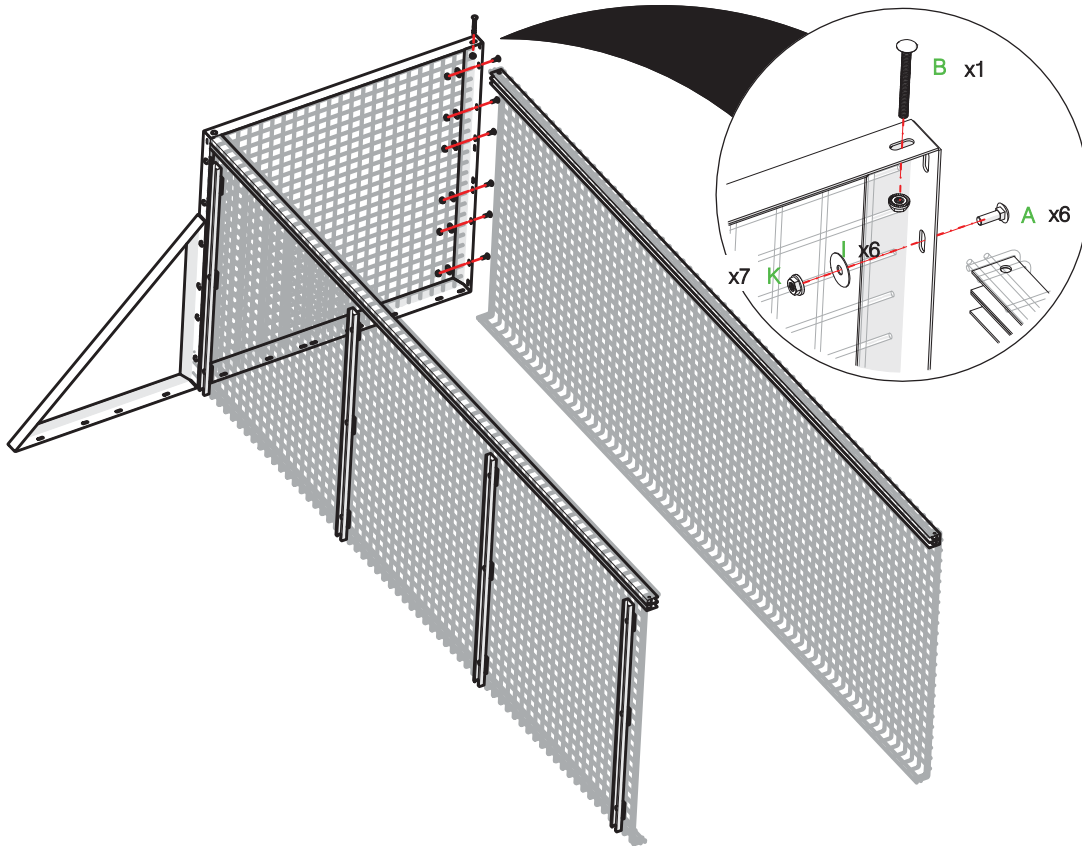
2



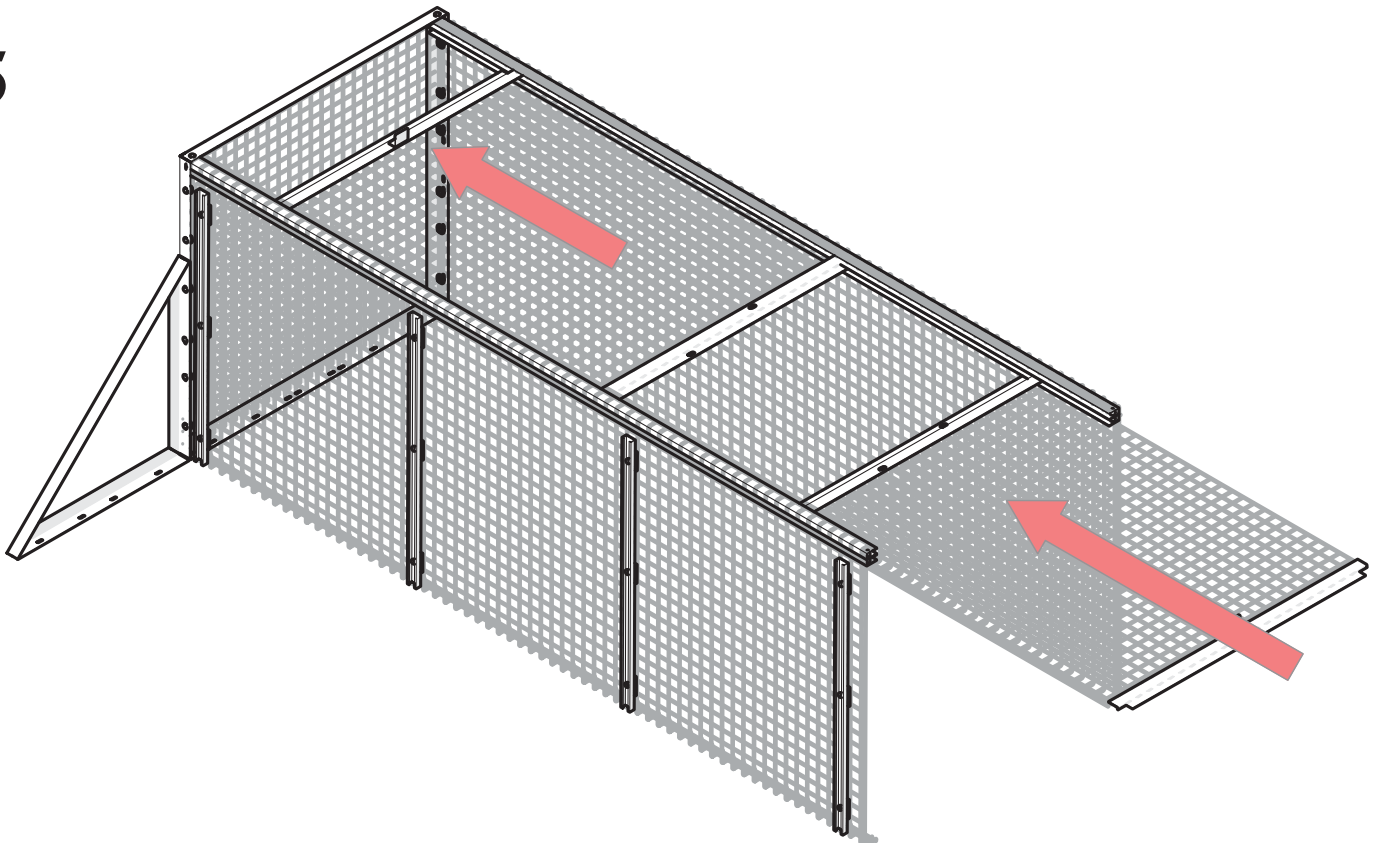
3



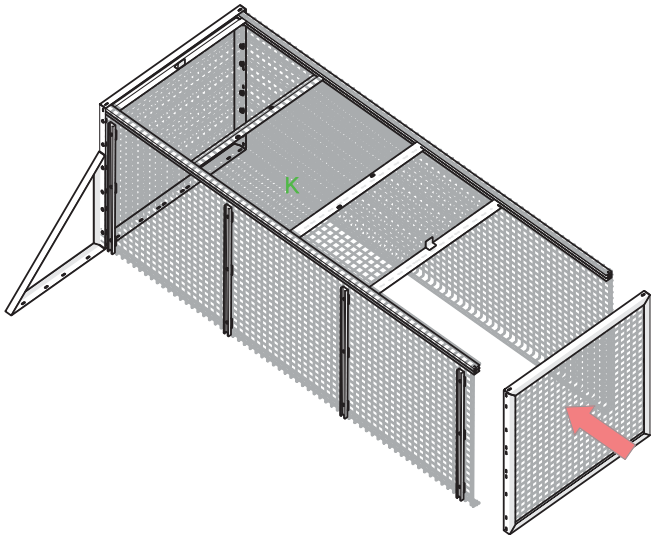
4



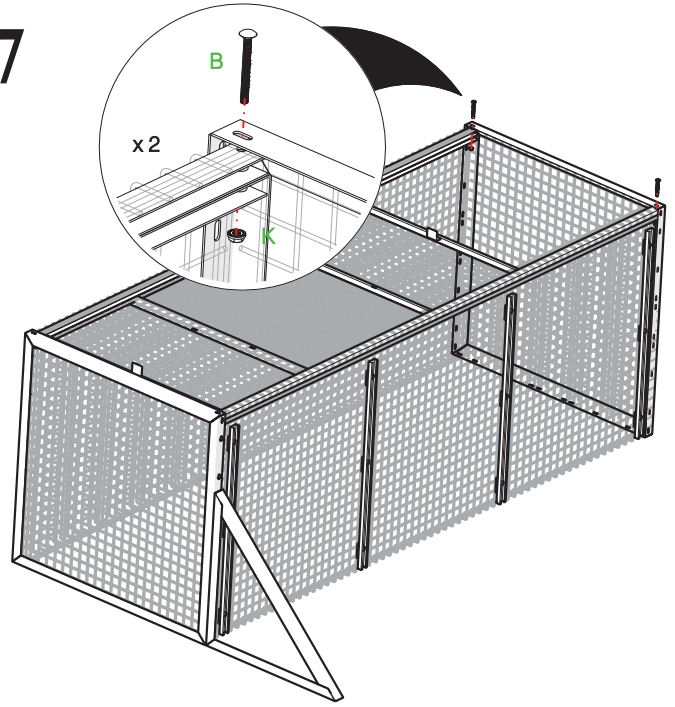
5



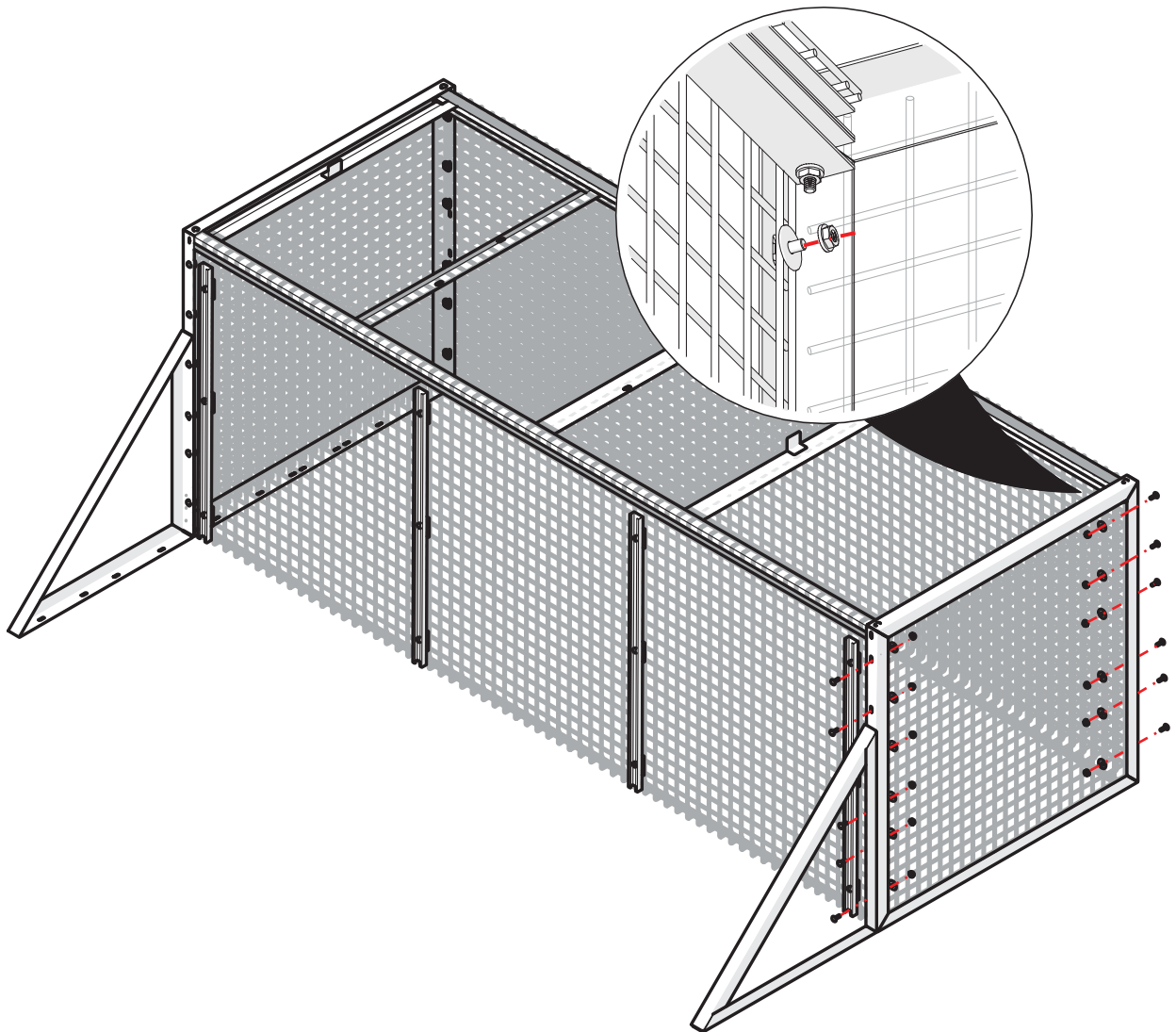
6



7



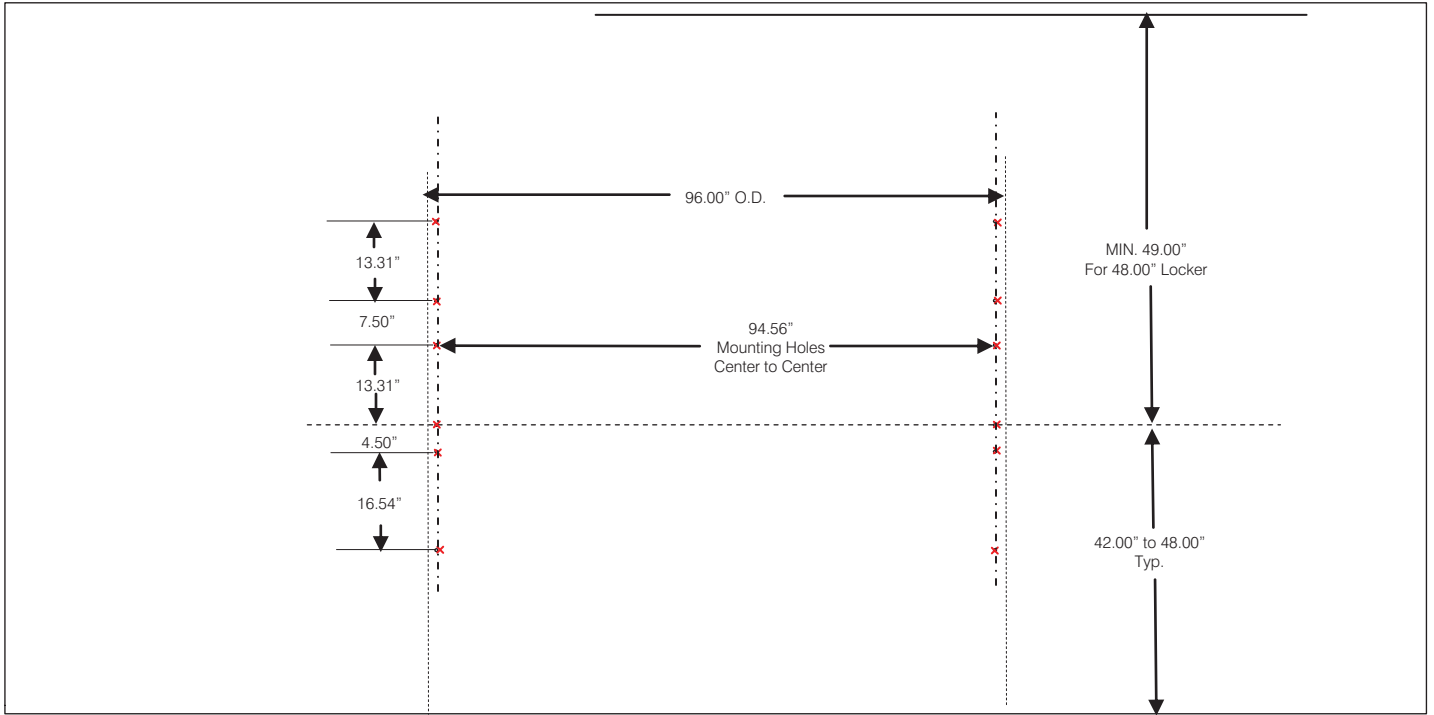
8





# 9

1. Mark-up the wall for mounting.
2. Pre-drill for fasteners.



Positioning

# 10

