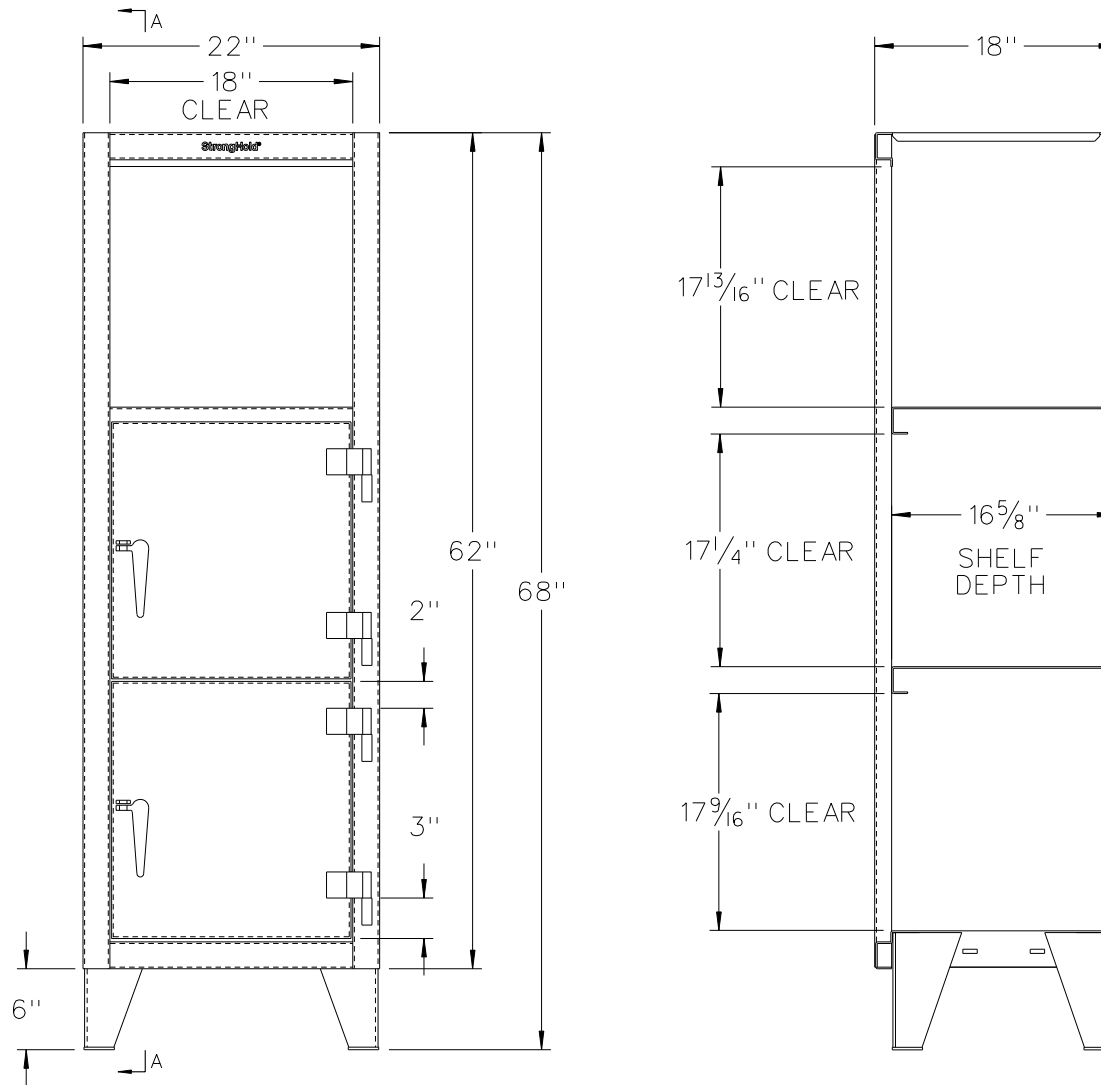


# Gear Bag Locker Technical Drawing

## SMS-05-V03



UPPER DOOR NOT SHOWN

SECTION A-A

