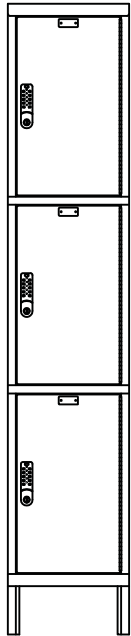
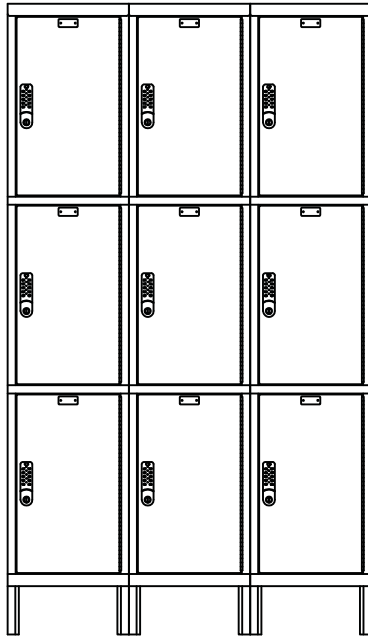


Digital Locker Assembly Guide

SMS-05-V39-UEL

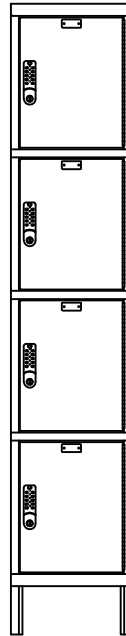


1-WIDE

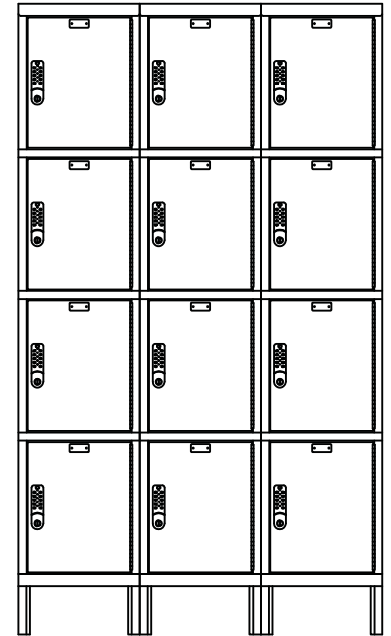


3-WIDE

3-TIER



1-WIDE



3-WIDE

4-TIER

General Instructions

1. Check material received against the packing list. First check the number of packages received and then check the contents of each package.
2. Check material received for damage. If damage has occurred, secure a "damage notation" from the carrier.
3. Identify each part as it is unpacked and put like parts together as close as possible to the working area in which they are to be assembled.
4. Be careful to use the correct hardware as specified in the assembly instructions.
5. Items with suffix (xx) are available options.

CAUTION

IN THE INTEREST OF SAFETY, ALL LOCKERS MUST BE SECURELY ANCHORED TO THE FLOOR AND/OR WALL.
FOR SAFETY, HANDLE ALL COMPONENTS CAREFULLY AND WEAR WORK-GLOVES WHEN ASSEMBLING LOCKERS.

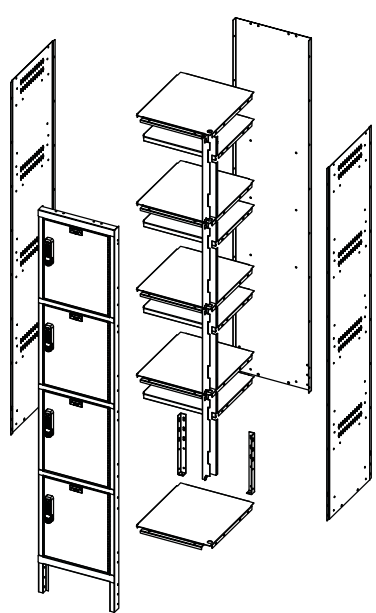
INSTALL ALL UNITS PLUMB AND TIGHTEN ALL HARDWARE SECURELY.

RETAIN INSTRUCTIONS FOR FUTURE REFERENCE.



PACKAGE CONTENTS

REF. NO.	DESCRIPTION	PART NO.	3-TIER		4-TIER	
			1-WIDE QTY	3-WIDE QTY	1-WIDE QTY	3-WIDE QTY
①	REAR PANEL	KRww72	1	3	1	3
②	SIDE PANEL	KPdd72DP16EO-t	2	4	2	4
③	TOP/BOTTOM/ INTERMEDIATE SHELF	KSwwddE016	4	12	5	15
④	HAT SHELF	KHwwddE016	3	9	4	12
⑤	DOOR FRAME ASSEMBLY	AKDFww78-tT-E0	1	3	1	3
x ⑥	DOOR	AKDww72-tt-EL	3	9	4	12
⑦	DIGITECH LOCK W/CAM	3780726/6242844	3	9	4	12
⑧	NUMBER PLATE	NPH100	3	9	4	12
⑨	REAR LEG	KLK	2	2	2	2
⑩	ELECTRICAL HOUSING	KEH72-t	3	9	4	12
⑪	3/8" SLOTLESS BOLT	MBT200	92	226	126	274
⑫	HEX NUT	N201	92	226	126	274
⑬	NUMBER PLATE RIVET	RV101	6	18	8	24



1-Wide
4-Tier
Laptop/Backpack Locker

PART NUMBER SUFFIX SHOW WIDTH, HEIGHT, DEPTH AND TIER CUSTOMER TO SPECIFY.

NOTE:

FOR OPTIONAL 6" HIGH CLOSED METAL BASE,
SEE SUPPLEMENTAL INSTRUCTION SHEET NO. ASY-H-KIST-B

x SHIPS PRE-HUNG IN DOOR FRAME ASSEMBLY.

PART NO. LEGEND:

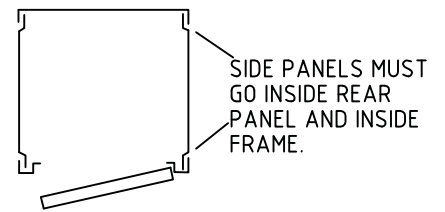
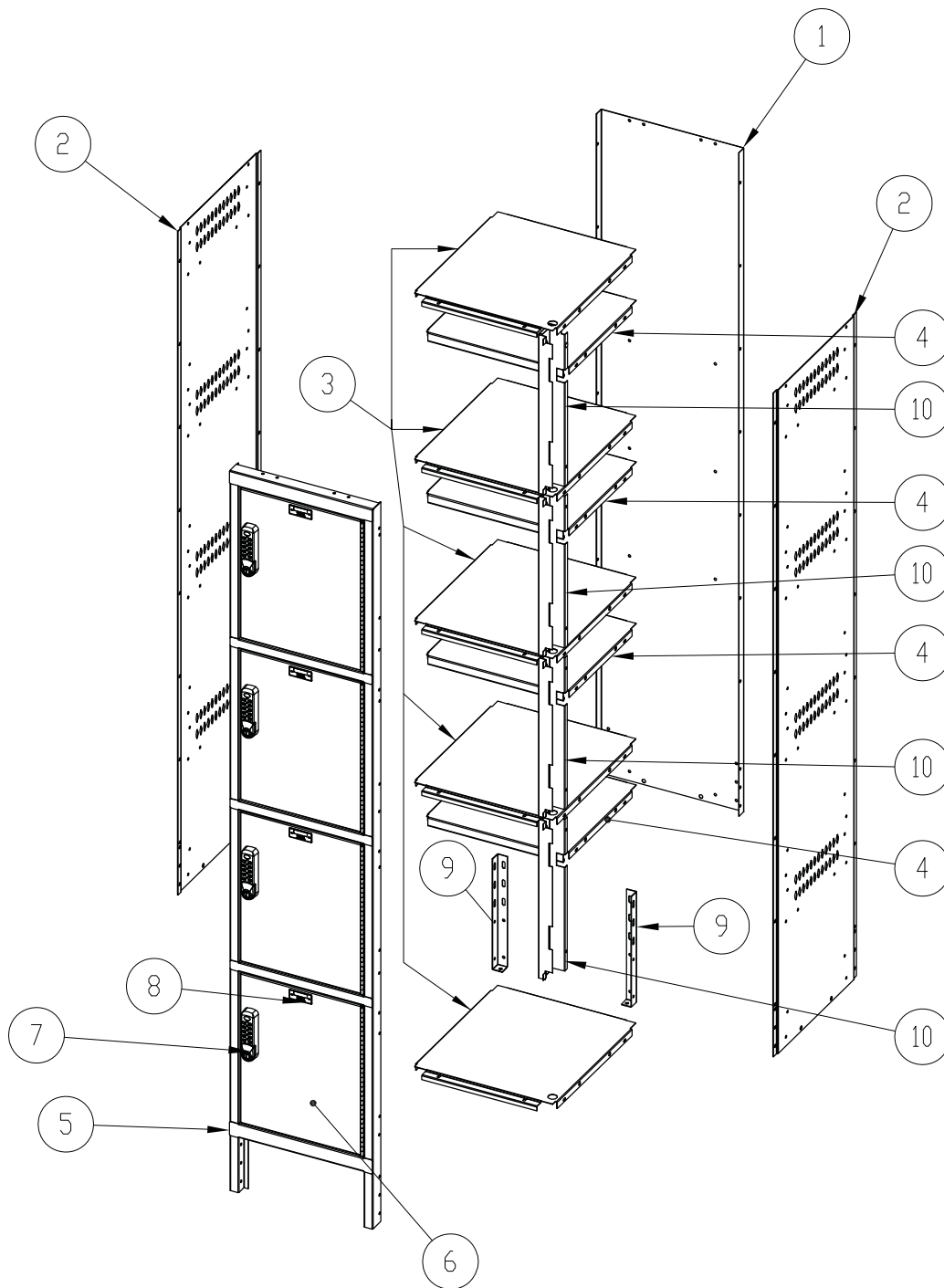
dd = DEPTH
ww = WIDTH
hh = HEIGHT
t = TIER

TOOLS REQUIRED: 3/8" NUT DRIVER (3/8" SOCKET MAY BE SUBSTITUTED)

TWO-YEAR WARRANTY

HALLOWELL KD LOCKERS ARE COVERED AGAINST ALL DEFECTS IN MATERIALS AND WORKMANSHIP EXCLUDING FINISH, DAMAGE RESULTING FROM DELIBERATE DESTRUCTION AND VANDALISM UNDER THIS SECTION FOR A PERIOD OF TWO YEARS.

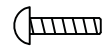




SIDE PANELS MUST GO INSIDE REAR PANEL AND INSIDE FRAME.

TOP VIEW OF 1-WIDE
FOLLOW BASIC INSTRUCTIONS FROM 3-WIDE ASSEMBLY

HARDWARE USED FOR MAIN LOCKER ASSEMBLY



10 - 24 x 3/8"
MBT200 SLOTLESS BOLT (11)



N201 HEX NUT (12)

TIGHTEN NUT WITH A NUT DRIVER OR WRENCH (SCREW IS TAMPER RESISTANT).

HALLOWELL MAKES EVERY EFFORT TO ENSURE THAT ALL UNITS SHIP COMPLETE. HOWEVER, SHOULD YOUR UNIT CONTAIN MISSING OR DAMAGED PARTS, REPLACEMENTS MAY BE OBTAINED FROM HALLOWELL. TO OBTAIN PARTS, FOLLOW THESE INSTRUCTIONS.

PLEASE PROVIDE THE FOLLOW INFORMATION:

MODEL NUMBER

PURCHASE DATE

DESCRIPTION OF PART(S) NEEDED & PART NUMBER(S) AS SHOWN IN PARTS LIST

COMPANY NAME & CONTACT PERSON

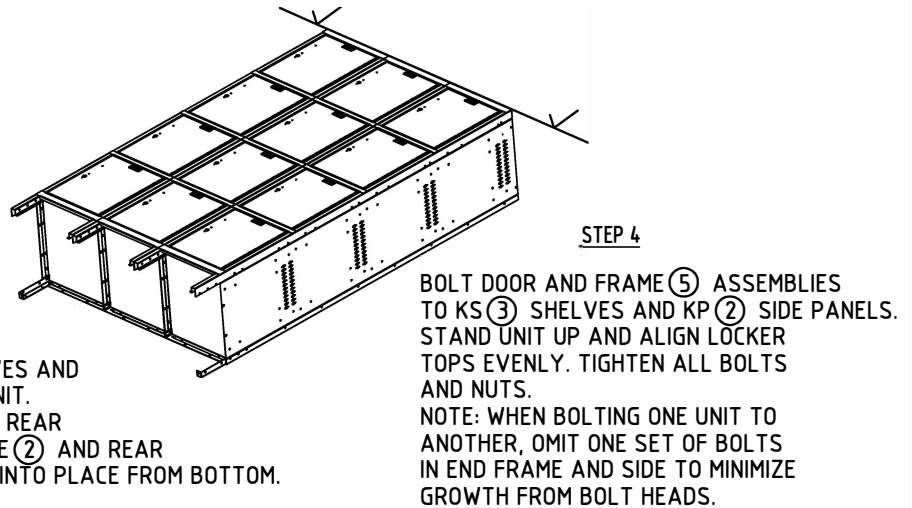
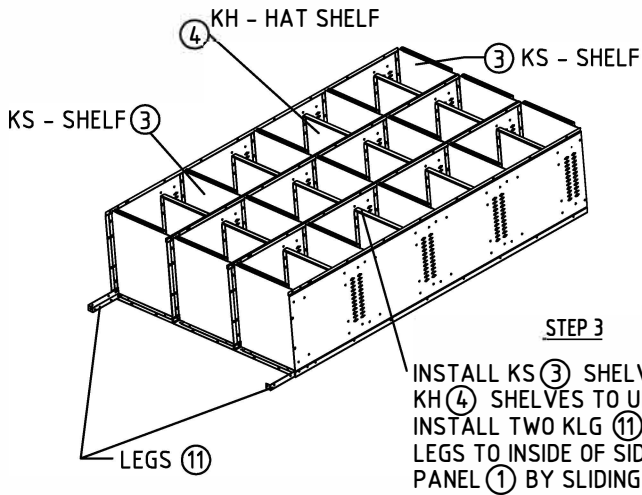
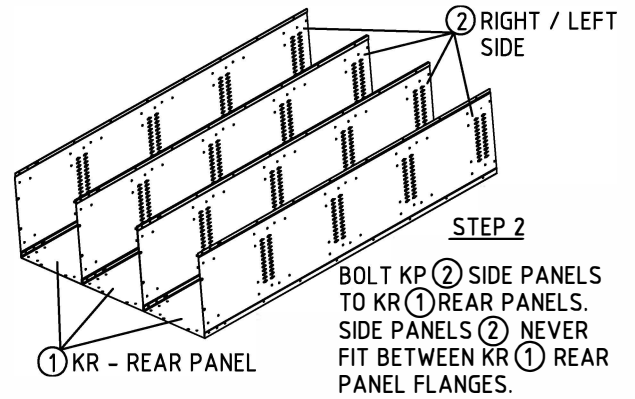
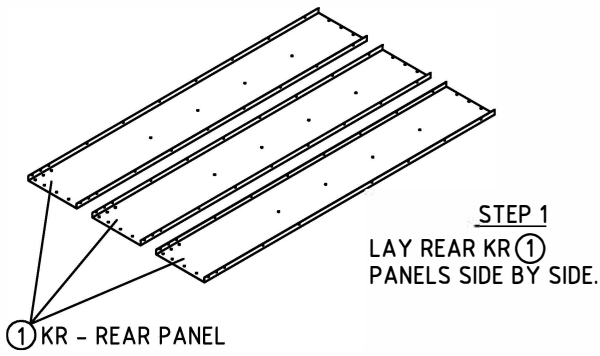
COLOR

WHERE THE PRODUCT WAS PURCHASED FROM

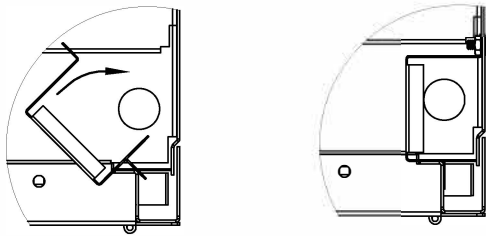
IF REQUESTING PARTS BY TELEPHONE, ASK FOR CUSTOMER SERVICE & PROVIDE THE ABOVE INFORMATION.



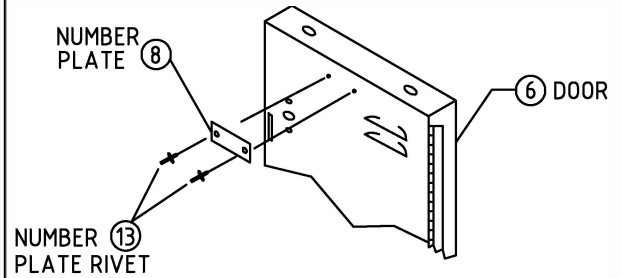
(A GROUPING OF (3) THREE 4-TIER LOCKERS ILLUSTRATED)



ATTACHMENT OF AFTERMARKET ELECTRICAL HOUSING
(NOT REQUIRED IF ELECTRICAL IS NOT USED)

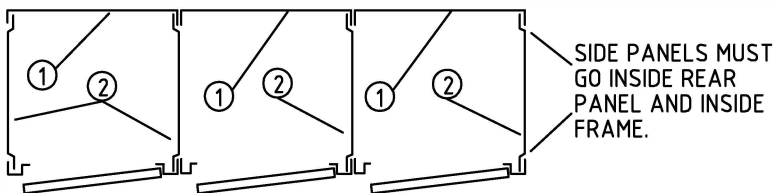


ROTATE ELECTRICAL HOUSING INTO PLACE AND BOLT TO SIDE PANEL



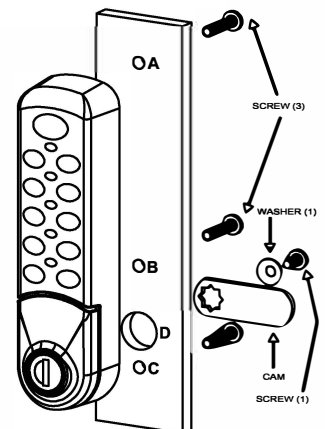
ASSEMBLY OF NUMBER PLATE

ASSEMBLY OF SINGLE ROW LOCKERS
NEVER PUT SIDE PANELS BETWEEN FRAMES.



3-WIDE UNIT PLAN VIEW

ASSEMBLY OF DIGITECH LOCK



DigiTech™

Digital Combination Lock

INSTALLATION INSTRUCTIONS

Special Notes

Before installing the DigiTech lock, insert the batteries and familiarise yourself the the operation operation and programming.

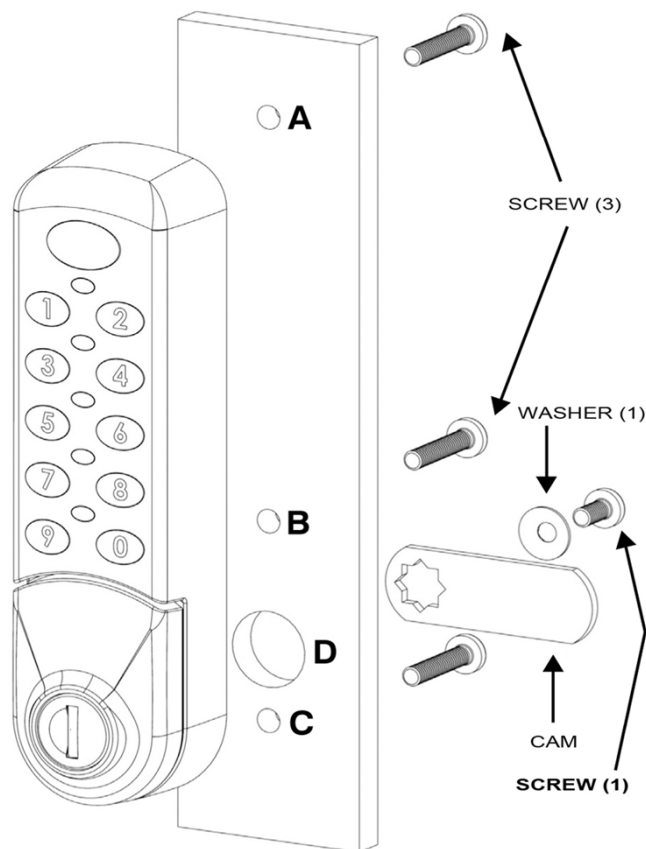
Unless manufactured to special order, the lock you are receiving is in day-use operating mode. In this mode, the user must enter a four-digit code (twice) in order to lock the lock. The lock can be opened at any time using the Master Code.

Unless manufactured to special order, the default Master Code is 1 1 3 3 5 5 7 7.

This code is common to all stadard locks and it is very important that you set your own personal Master Code. Your lock is not secure until you have changed the Master Code. Keep a safe record of your master code as it is not possible to make any programming changes without it.

See programming guide (over) to set you own codes.

ENSURE BATTERIES ARE CORRECTLY INSTALLED BEFORE ATTACHING LOCK



Attach lock to locker door with three screws.

Attach lock CAM to lock with washer and screw.



DigiTech™

Digital Combination Lock

OPERATING AND PROGRAMING INSTRUCTIONS

<u>FUNCTION</u>	<u>MODE</u>		<u>KEY SEQUENCE</u>	<u>NOTES</u>
	DAY-USE	PERMANENT		

MASTER CODE FUNCTIONS

CHANGE MASTER CODE	✓	✓	[logo] [Old Master Code] 01 [New Master Code] [New Master Code]	MASTER CODE IS EIGHT DIGITS.
CHANGE USER CODE		✓	[logo] [Master Code] 02 [New User Code]	USER CODE IS FOUR DIGITS.
DELETE USER CODE	✓		[Master Code]	OPENS LOCK AND DELETES USER CODE
SET / CHANGE SUB-MASTER CODE	✓	✓	[logo] [Master Code] 03 [New Sub-Master Code]	SUB-MASTER CODE IS SIX DIGITS
DELETE SUB-MASTER CODE	✓	✓	[logo] [Master Code] 07	
OPEN LOCK	✓	✓	[Master Code]	DELETES USER CODE IN DAY-USE MODE
CLOSE LOCK		AUTO		RE-LOCKS AUTOMATICALLY AFTER 4 SECONDS
SET DAY-USE MODE		✓	[logo] [Master Code] 08	DELETES ALL EXISTING USER CODES
SET PERMANENT MODE	✓		[logo] [Master Code] 09 [New User Code]	DELETES ALL EXISTING USER CODES
SET TECHNICIAN MODE	✓		[logo] [Master Code] 10 [New Technician Code]	TECHNICIAN CODE IS SIX DIGITS
REMOVE TECHNICIAN MODE	✓		[logo] [Master Code] 11	
SET AUDIBLE BUTTONS ON	✓	✓	[logo] [Master Code] 12	
SET AUDIBLE BUTTONS OFF	✓	✓	[logo] [Master Code] 13	
SET ALARM MODE ON & SET TIME		✓	[logo] [Master Code] 14 [Time Code]	SWITCHED VERSION ONLY. SEE NOTES ON TIMERS BELOW.
SET AUTO-TIMED UNLOCK OFF	✓		[logo] [Master Code] 17	

SUB-MASTER CODE FUNCTIONS

CHANGE USER CODE		✓	[logo] [Sub-Master Code] 02 [New User Code]	USER CODE IS FOUR DIGITS.
CHANGE SUB MASTER CODE	✓	✓	[logo] [Sub-Master Code] 03 [New Sub-Master Code]	SUB-MASTER CODE IS SIX DIGITS.
DELETE USER CODE	✓		[Sub-Master Code]	OPENS LOCK AND DELETES USER CODE
OPEN LOCK	✓	✓	[Sub-Master Code]	DELETES USER CODE IN DAY-USE MODE
CLOSE LOCK		AUTO		RE-LOCKS AUTOMATICALLY AFTER 4 SECONDS

USER CODE FUNCTIONS

CHANGE USER CODE		✓	[logo] [Old User Code] 02 [New User Code] [New User Code]	USER CODE IS FOUR DIGITS.
OPEN LOCK	✓	✓	[User Code]	
CLOSE LOCK	✓		[User Code] [User Code]	USER CODE IS FOUR DIGITS.
CLOSE LOCK		AUTO		RE-LOCKS AUTOMATICALLY AFTER 4 SECONDS

TECHNICIAN CODE FUNCTIONS

OPEN LOCK	✓		[Technician Code]	DOES NOT DELETE USER CODE
CLOSE LOCK		AUTO		

FUNCTIONS AVAILABLE TO ALL CODES

BATTERY CHECK	✓	✓	[logo] [logo]	REPLACE BATTERIES IF RED LIGHT SHOWS
---------------	---	---	---------------	--------------------------------------

NOTES

ALL ACCEPTABLE BUTTON PRESSES ARE SIGNIFIED BY A GREEN LIGHT.

INCOMPLETE FUNCTIONS "TIME-OUT" AFTER 4 SECONDS.

ERRORS AND "TIME-OUTS" ARE SIGNIFIED BY FLASHING RED LIGHT.

FOLLOWING AN ERROR OR "TIME-OUT", UNIT REVERTS TO PREVIOUS SETTINGS.

TIME CODES ARE 3-DIGIT CODES CORRESPONDING TO THE NUMBER OF MINUTES.

TIMER FUNCTIONS - TIME CODE EXAMPLES

TIME CODE **001** 1 MIN
 TIME CODE **010** 10 MINS
 TIME CODE **030** 1/2 HR
 TIME CODE **060** 1 HR
 TIME CODE **480** 8 HRS
 TIME CODE **720** 12 HRS
 TIME CODE **999** 16 HRS 39 MINS (MAXIMUM)

BATTERY CONDITION INDICATOR

FOUR GREEN LIGHTS - EXCELLENT
 THREE GREEN LIGHTS - VERY GOOD
 TWO GREEN LIGHTS - GOOD
 ONE GREEN LIGHT - LOW
 RED LIGHT -
 CHANGE BATTERIES AS SOON AS POSSIBLE
 FLASHING RED LIGHT PRIOR TO LOCK OR UNLOCK INDICATES
 LOW BATTERY VOLTAGE CHANGE BATTERIES AS SOON AS
 POSSIBLE

MASTER CODE (8 digits)

SUB-MASTER CODE (6 digits) (No Default)

USER CODE (4 digits)

**ENSURE THAT YOU CHANGE THE DEFAULT MASTER CODE TO YOUR OWN MASTER CODE AND KEEP A SAFE RECORD
 IT IS NOT POSSIBLE TO PROGRAM THE LOCK WITHOUT IT**



DigiTech™ H1

Digital Combination Lock

USER INSTRUCTIONS

DAY-USE MODE

LOCK

ENTER USER CODE
(4 DIGITS)



CONFIRM CODE
(4 DIGITS)



PUSH IN HANDLE
TO LOCK



ERROR
TRY AGAIN

UNLOCK

USER OR
MASTER CODE



HANDLE
POPS-OUT
TURN HANDLE
TO OPEN

ERROR



Errors will time-out after 4 seconds.
Unfinished instructions will time-out after 4
seconds. Always wait for LED lights to finish
before pressing next key.

PERMANENT MODE

UNLOCK

USER OR
MASTER CODE



HANDLE
POPS-OUT
TURN HANDLE
TO OPEN



PUSH IN HANDLE
TO LOCK

CHANGE USER CODE

LOGO



OLD USER CODE



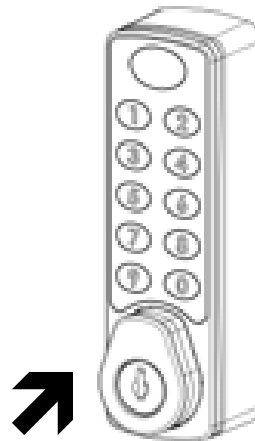
02



ENTER
NEW USER CODE
(4 DIGITS)



CONFIRM
NEW USER CODE
(4 DIGITS)



PUSH IN HANDLE
TO LOCK

EMERGENCY KEY OVERRIDE

INSERT MASTER KEY OVERRIDE & TURN 90°
EITHER CLOCKWISE OR ANTI-CLOCKWISE

TURN KEY BACK 90° TO ORIGINAL
POSITION & REMOVE FROM LOCK

