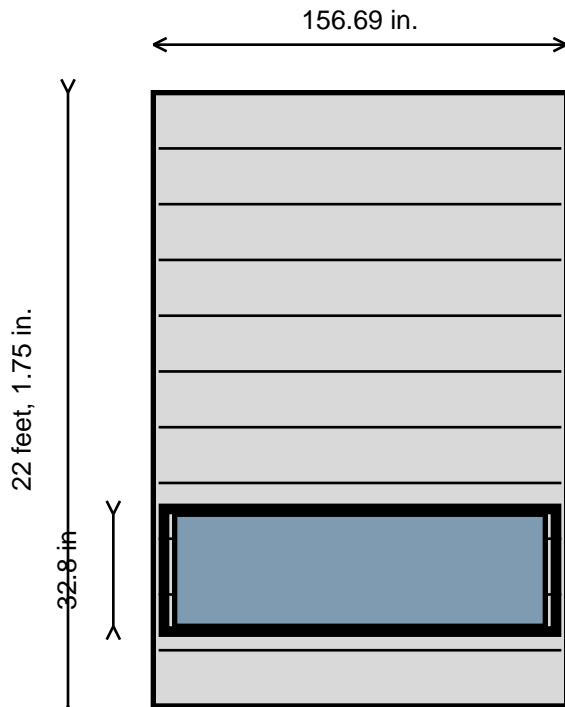
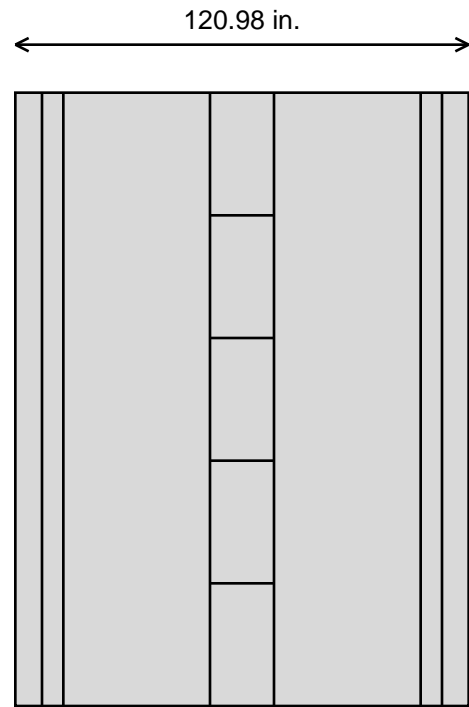


# Unit Drawing + Color

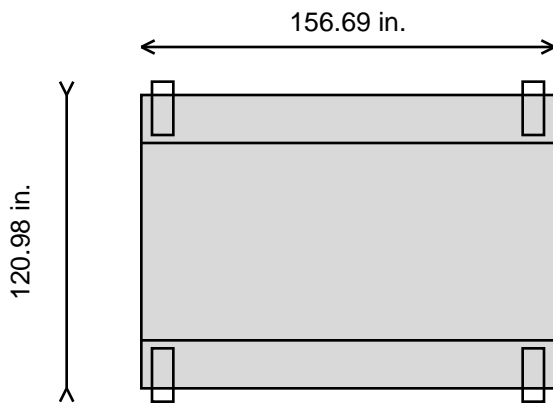
SouthWest Solutions Group



**Front View**



**Side View**



**Top View**

## SouthWest Solutions Group

<b>Date</b>	4/5/2026
<b>Customer</b>	VLM Option #11 - 144 x 34 Strong
<b>Model</b>	SHUTTLE-01-500-3650x864x6750

*Drawing Not to Scale*

### **Color Illustration is based on the current unit design**

- (A) Panels and Load Profiles : RAL 7035 Light Grey
- (B) Shutter Door and Cover under Access Opening : RAL 230/60/15 Silver Fir Blue
- (C) Shelf Rail Panels : RAL 7035 Light Grey
- (D) Access Opening (Inside cover and floor) : RAL 7035 Light Grey
- Cover above access opening : Always RAL 9016 Traffic White
- Side Covers of access opening (light barrier holder) : Always RAL 7016 Anthracite Grey