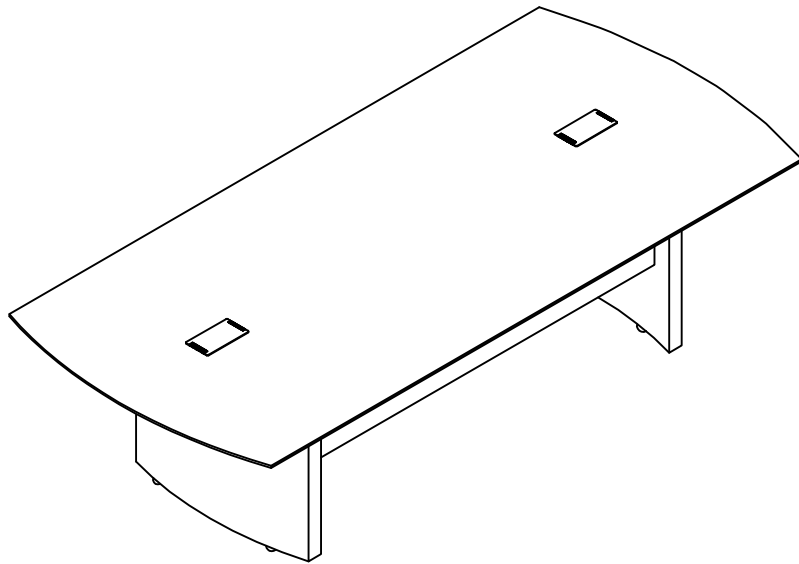





Large Boardroom  
Meeting Table  
Model No. MNC8



# PARTS LIST

| Name     | Part  | Qty. | Spare Qty |
|----------|---|------|-----------|
| <b>A</b> | <br><b>REALS001</b><br>Cam Lock              | 14   | 1         |
| <b>B</b> | <br><b>REALS102SLV</b><br>Cam Sticker/Silver | 14   | 1         |

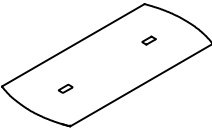
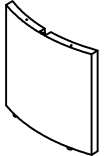
| Name     | Part   | Qty. | Spare Qty |
|----------|--|------|-----------|
| <b>C</b> | <br><b>REALS003</b><br>Cam Post | 14   | 1         |

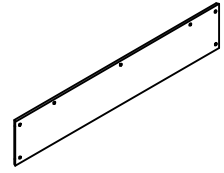
**NOTE:**

- ①. 1 Top and 2 Modesty Panels with Hardware packed in one carton - MNCT96
- ②. 2 Legs with Hardware packed in one carton - MNCB

Items with HB are in hardware box.

# PARTS LIST

| Name     | Part  | Qty.     |
|----------|---|----------|
| <b>H</b> | <br><b>MNCT96**</b><br>Top | <b>1</b> |
| <b>J</b> | <br><b>MNCB**</b><br>Leg   | <b>2</b> |

| Name     | Part   | Qty.     |
|----------|--|----------|
| <b>K</b> | <br><b>MNCT96K**</b><br>Modesty Panel | <b>2</b> |

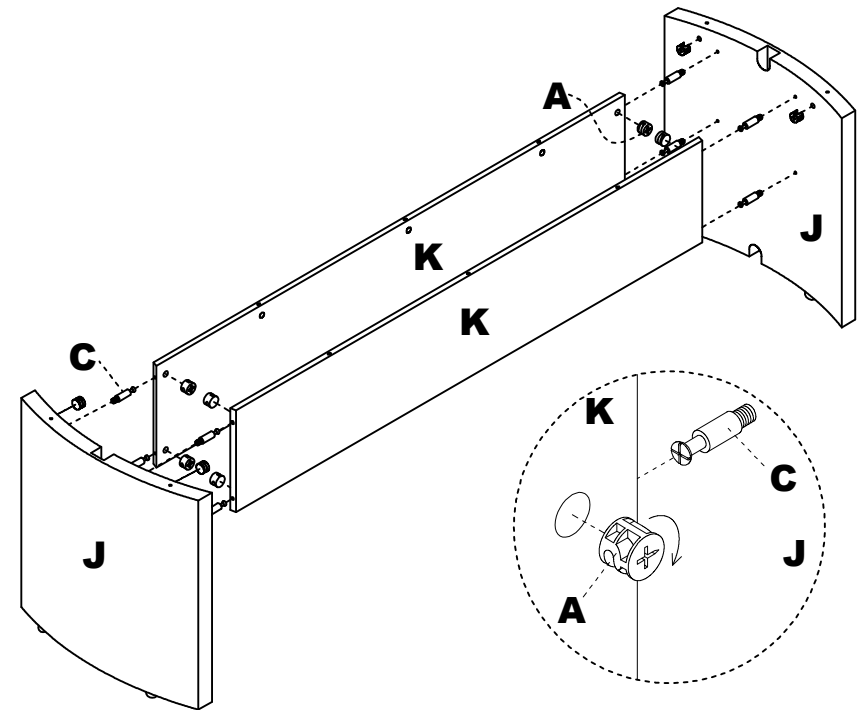
\*\*Denotes Color Code

**2**

## IMPORTANT!

**Review ALL instructions before beginning assembly.** These instructions are provided to avoid problems that may occur from improper assembly or installation. Mayline and/or its distributor are not responsible for failure resulting from improper assembly or installation of this product. Moreover, all warranties are void for failure to follow these assembly instructions.

- 1 Insert Cams (A) into the Modesty Panel (K) and MNCB Legs (J). Install Cam Posts (C) into threaded inserts in MNCB Legs (J). Attach Modesty Panel (K) to MNCB Legs (J) by turning Cams (A).

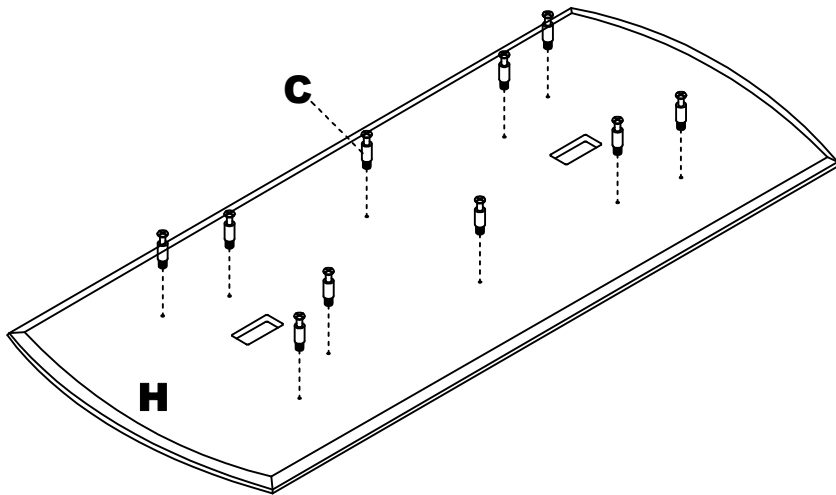


NOTE: The arrow on the face of the Cam (A) should point towards the Cam Post (C) for proper alignment.

**3**

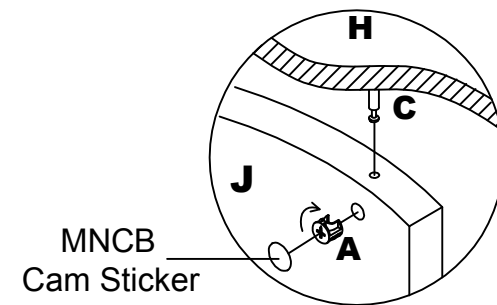
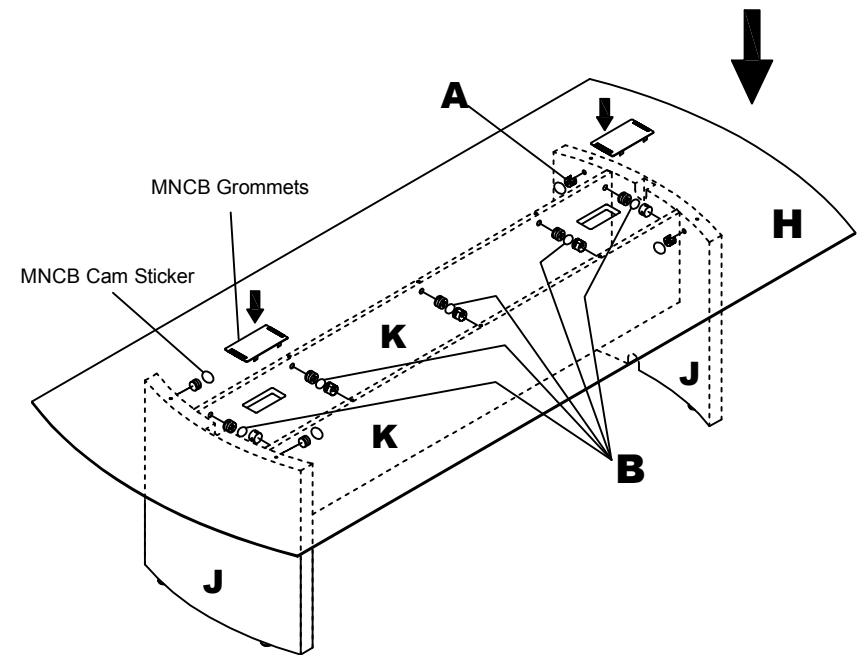


- ② Install Cam Posts (C) into threaded inserts in underside of Top (H).



4

- ③ Place Top (H) onto Leg (J) and Modesty Panel (K) and lock in place by turning Cams (A). Apply MNCB Cam Sticker onto Cams (A) of Legs (J). Apply Cam Stickers/Silver (B) onto Cams (A) of Modesty Panel (K). Insert Grommets into Top holes.

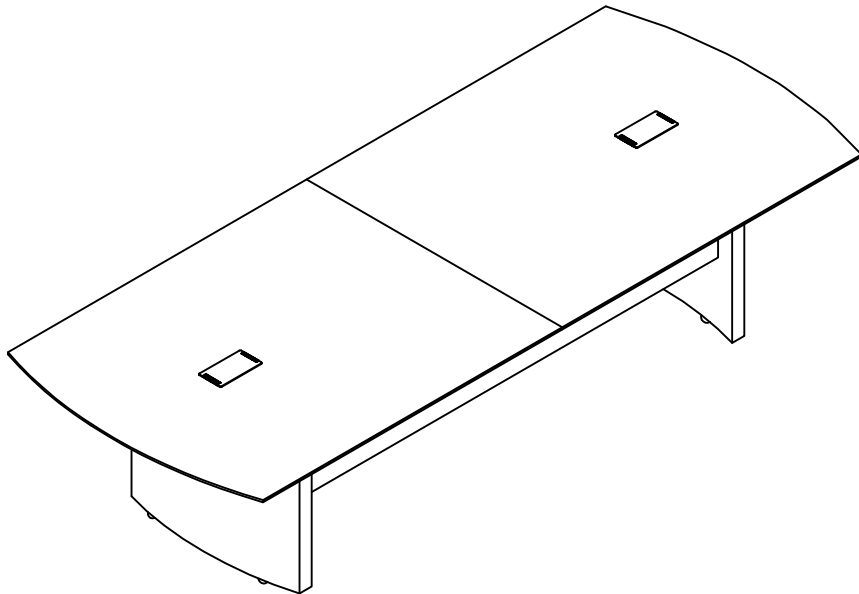


NOTE: The arrow on the face of the Cam (A) should point towards the Cam Post (C) for proper alignment.


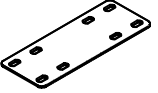


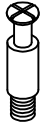
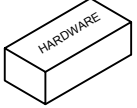
5



Large Boardroom  
Meeting Table  
Model No. MNC10



# PARTS LIST

| Name     | Part  | Qty. | Spare Qty | Name     | Part   | Qty. | Spare Qty |
|----------|---|------|-----------|----------|--|------|-----------|
| <b>A</b> | <br><b>REALS001</b><br>Cam Lock              | 16   | 1         | <b>D</b> | <br><b>REALS036</b><br>Mntg Plate | 3    |           |
| <b>B</b> | <br><b>REALS102SLV</b><br>Cam Sticker/Silver | 16   | 1         | <b>E</b> | <br><b>REALS043</b><br>M6x15mm    | 24   | 1         |
| <b>C</b> | <br><b>REALS003</b><br>Cam Post              | 16   | 1         |          | <br><b>MNCT120HB</b>              |      |           |

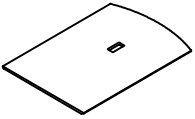
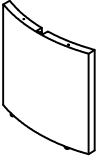
**NOTE:**

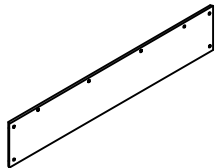
- ①. 1/2Top packed in one carton - MNCT120T
- ②. 2 Modesty Panels with Hardware packed in one carton - MNCT120MPLSLV
- ③. 2 Legs with Hardware packed in one carton - MNCT120L

Items with HB are in hardware box.



# PARTS LIST

| Name     | Part  | Qty.     |
|----------|---|----------|
| <b>H</b> | <br><b>MNCT120T**</b><br>Top | <b>2</b> |
| <b>J</b> | <br><b>MNCB**</b><br>Leg     | <b>2</b> |

| Name     | Part  | Qty.     |
|----------|---|----------|
| <b>K</b> | <br><b>MNCT120MPSLV</b><br>Modesty Panel | <b>2</b> |

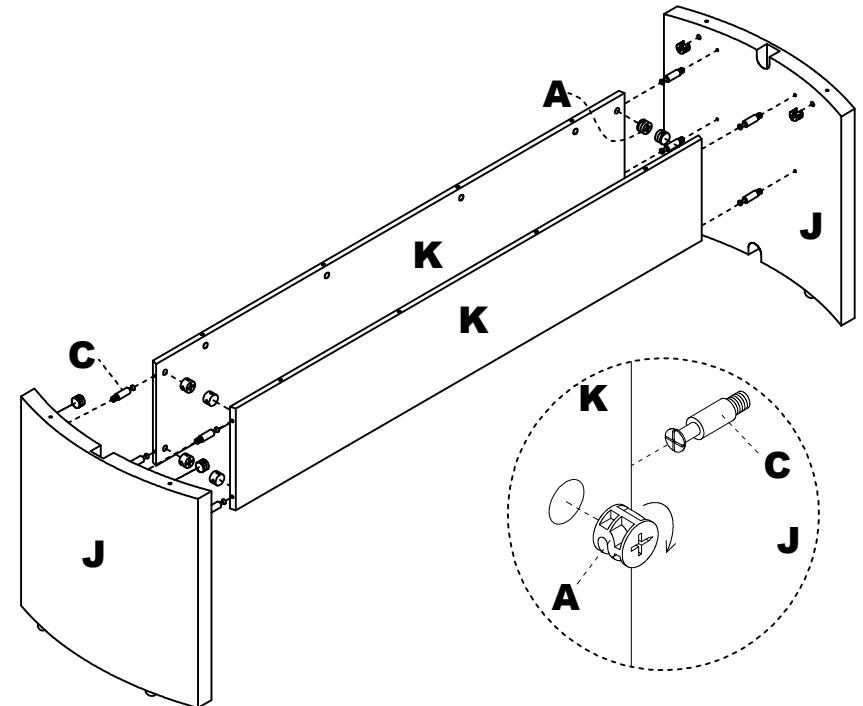
\*\*Denotes Color Code

**2**

## IMPORTANT!

**Review ALL instructions before beginning assembly.** These instructions are provided to avoid problems that may occur from improper assembly or installation. Mayline and/or its distributor are not responsible for failure resulting from improper assembly or installation of this product. Moreover, all warranties are void for failure to follow these assembly instructions.

- 1 Insert Cams (A) into the Modesty Panel (K) and MNCB Legs (J). Install Cam Posts (C) into threaded inserts in MNCB Legs (J). Attach Modesty Panel (K) to MNCB Legs (J) by turning Cams (A).

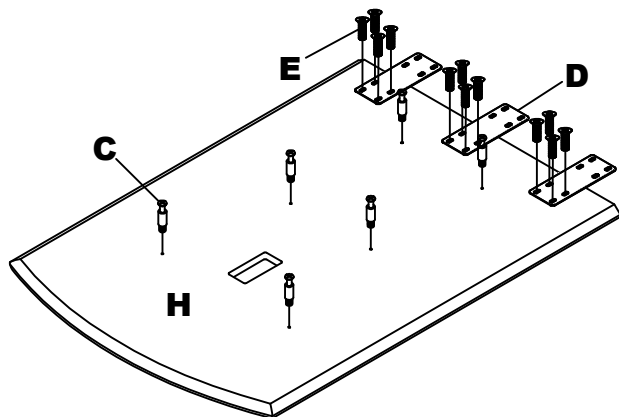


NOTE: The arrow on the face of the Cam (A) should point towards the Cam Post (C) for proper alignment.

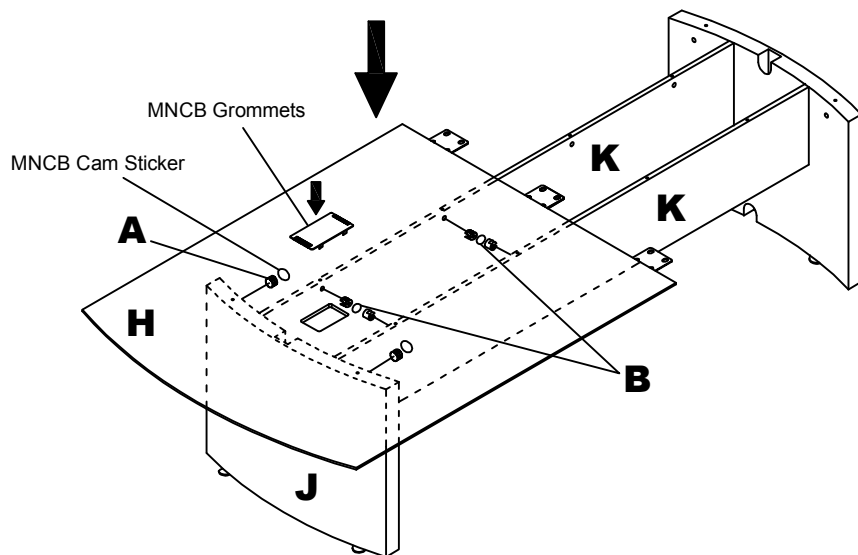
**3**



- 2** Attach Mntg Plates (D) to the underside of adjacent Top (H) using Screws (E). Install Cam Posts (C) into threaded inserts in underside of Top (H).

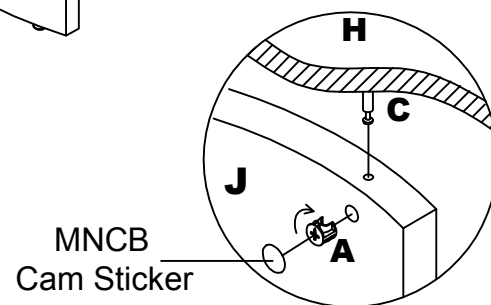
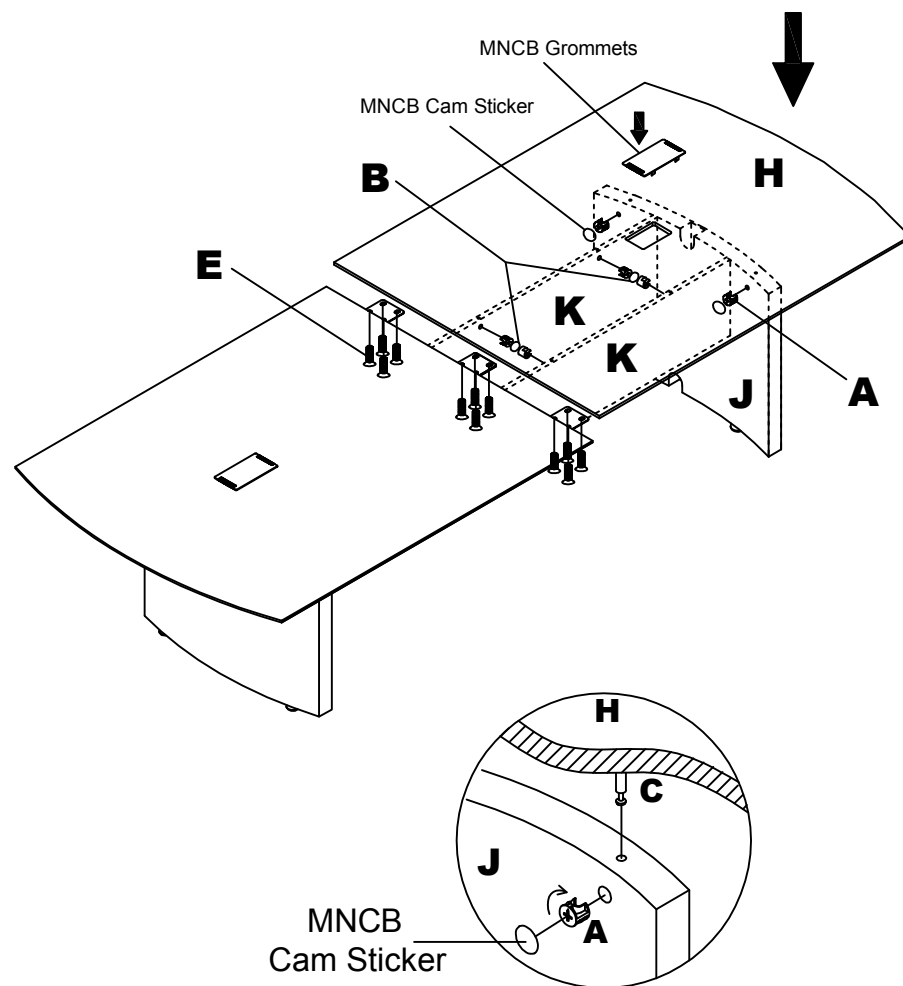


- 3** Place Top (H) onto Leg (J) and Modesty Panel (K) and lock in place by turning Cams (A). Apply MNCB Cam Sticker onto Cams (A) of Legs (J). Apply Cam Stickers/Silver (B) onto Cams (A) of Modesty Panel (K). Insert Grommets into Top holes.



**4**

- 4** Place the other Top (H) onto Leg (J) and Modesty Panel (K) and lock in place by turning Cams (A). Attach the Top to the other Top using Screws (E). Apply MNCB Cam Sticker onto Cams (A) of Legs (J). Apply Cam Stickers/Silver (B) onto Cams (A) of Modesty Panel (K). Insert Grommets into Top holes.



NOTE: The arrow on the face of the Cam (A) should point towards the Cam Post (C) for proper alignment.

**5**

