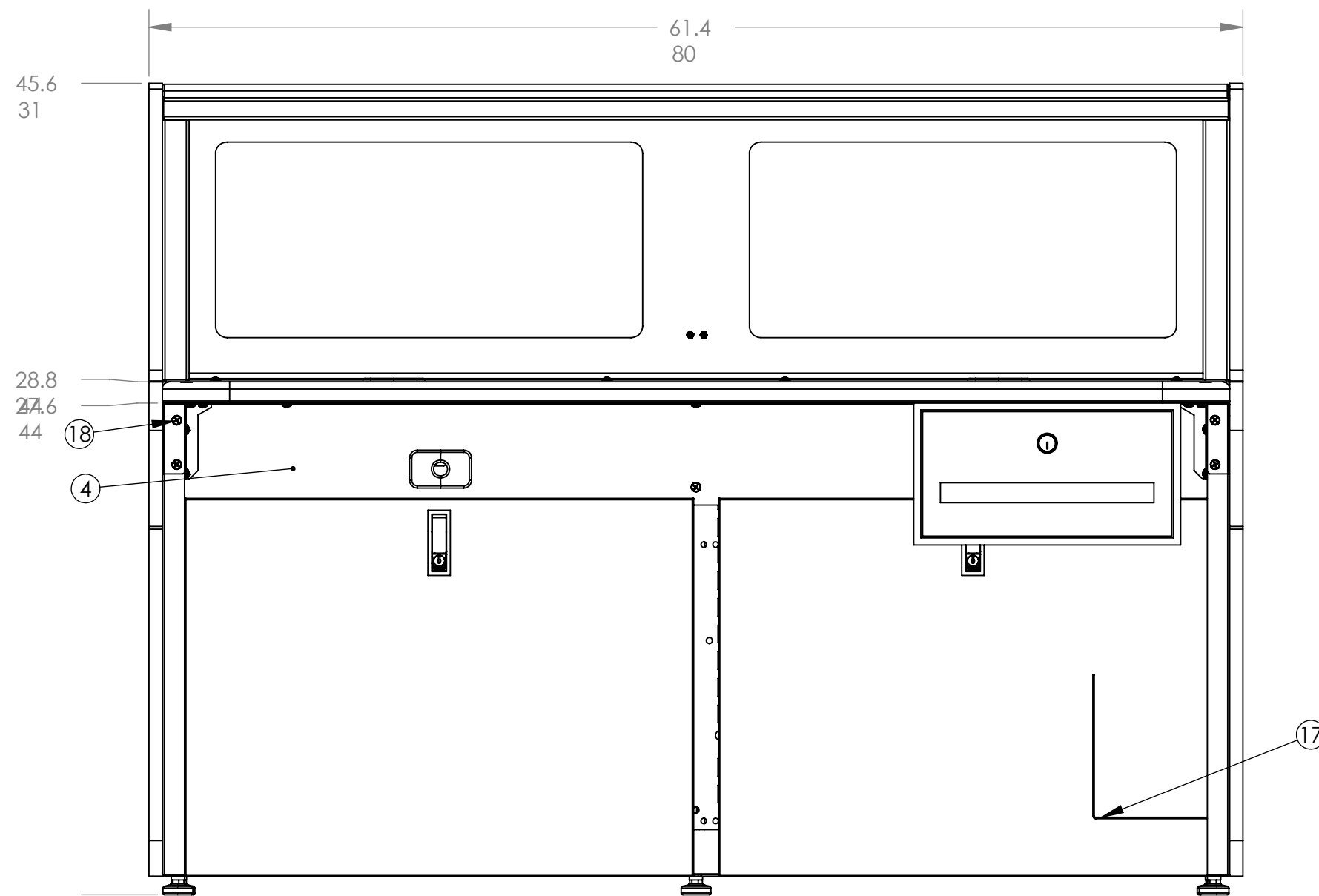
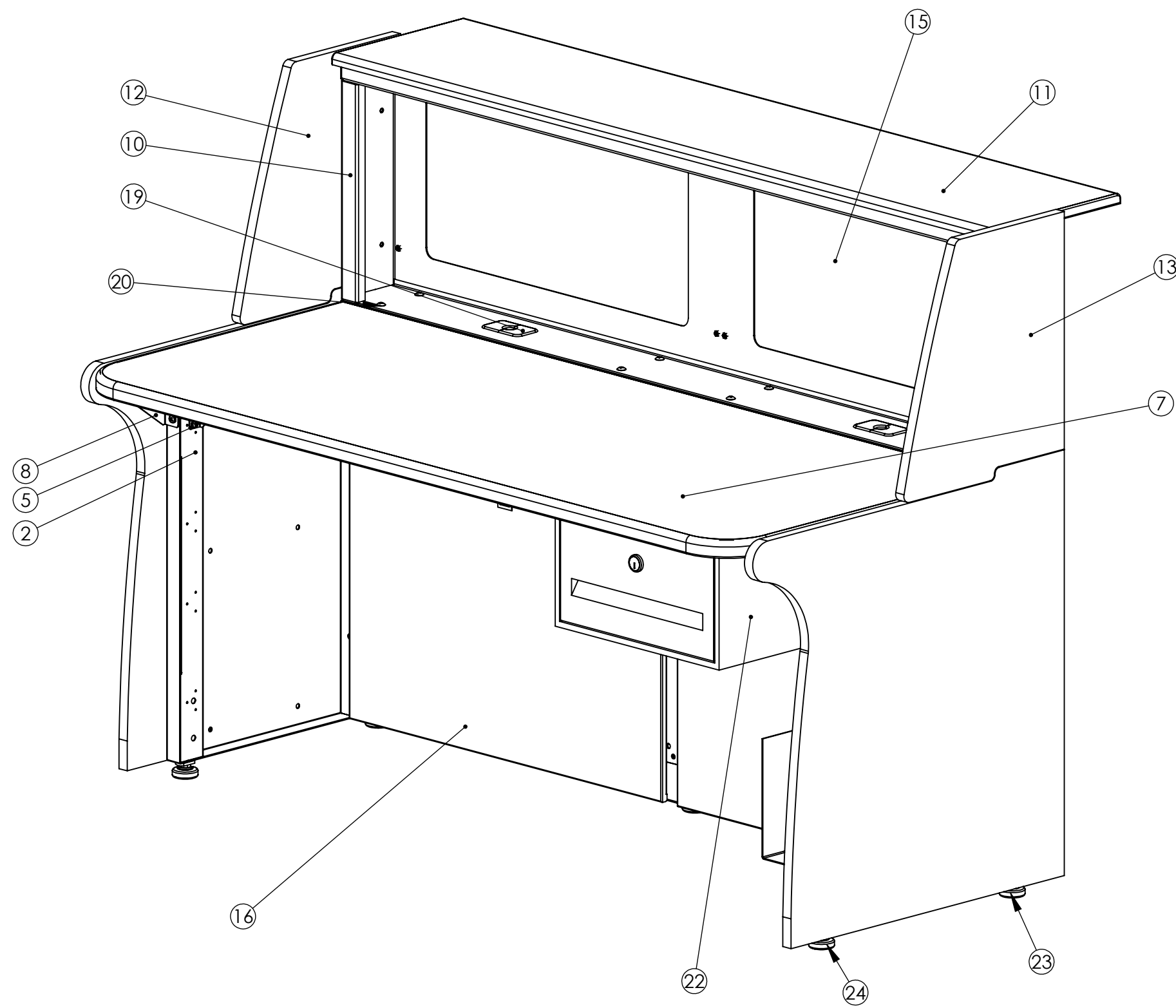


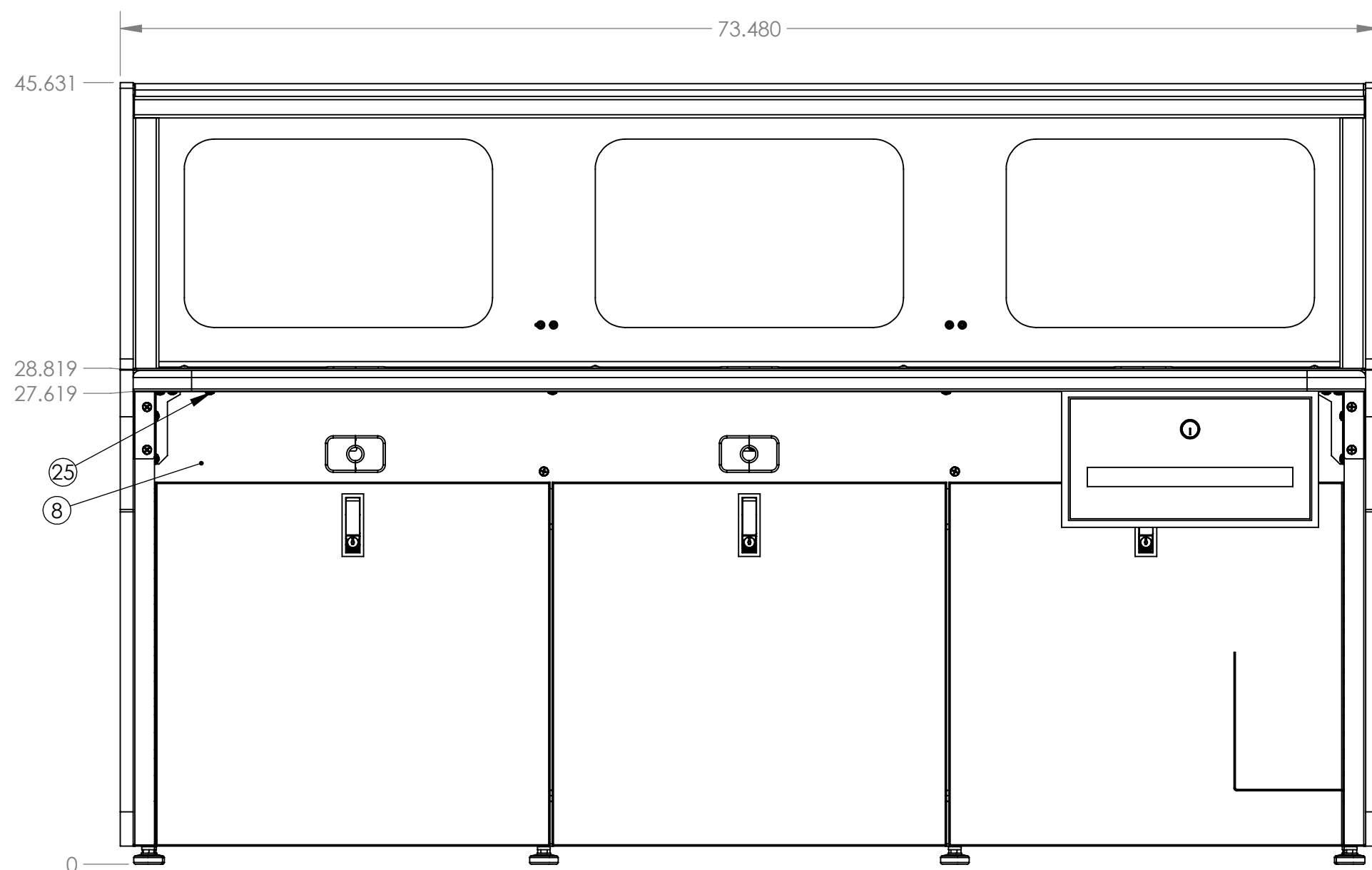
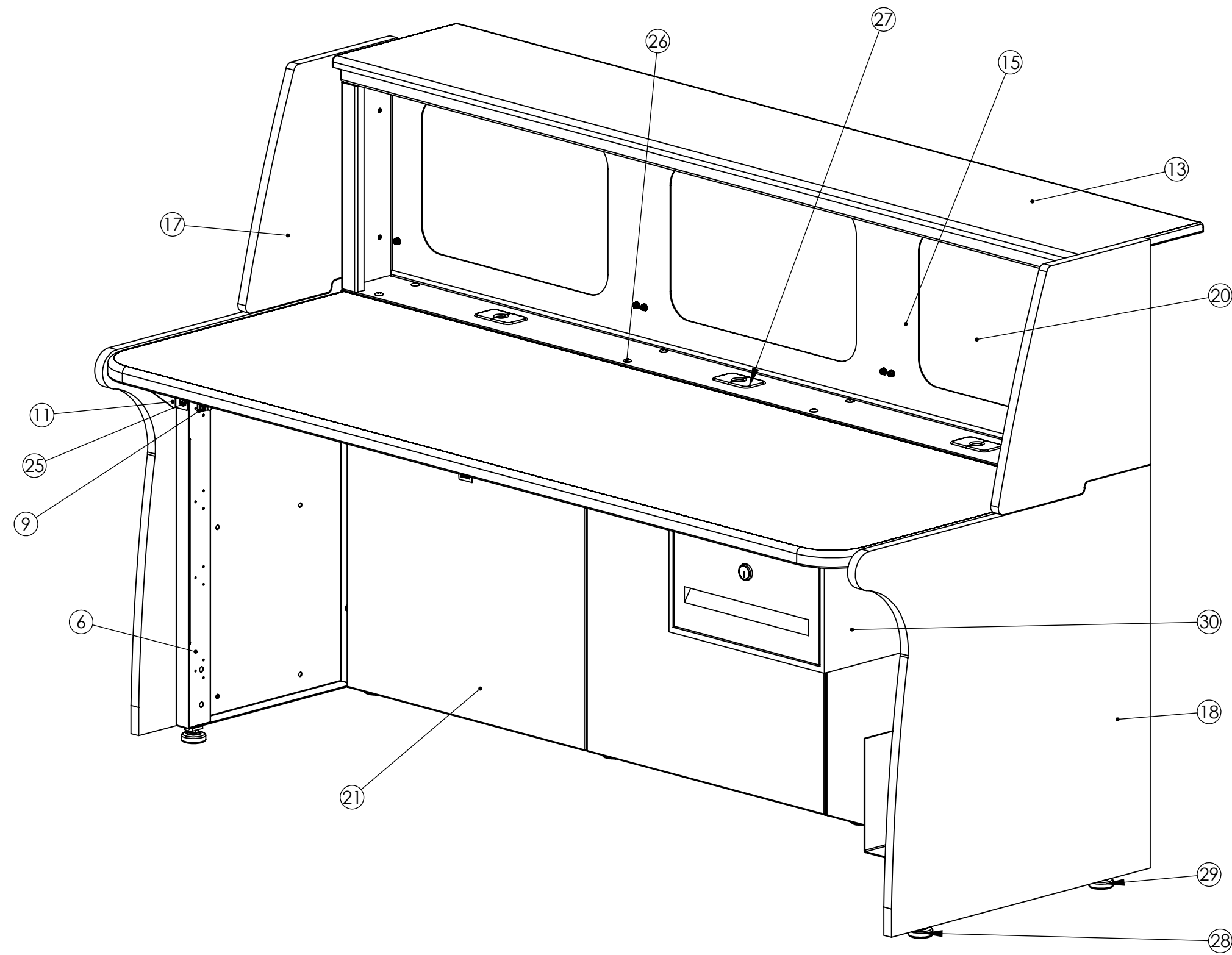
Lobby Security Desk Specification Sheet

SMS-03-V133-SCA



ITEM NO.	DESCRIPTION	QTY.
1	BASE FRAME WELD ASSEMBLY 60"W	1
2	UPRIGHT WELD ASSY LH	1
3	UPRIGHT WELD ASSEMBLY RH	1
4	REAR WORKSURFACE SUPPORT 60"W	1
5	UPRIGHT SUPPORT LH	1
6	UPRIGHT SUPPORT RH	1
7	LINEAR ERGO WORKSURFACE 60" X 24"	1
8	FRONT ERGO WORKSURFACE SUPPORT LH 30"	1
9	FRONT ERGO WORKSURFACE SUPPORT RH 30"	1
10	DISPLAY WALL FRAME - CUSTOM TIER 1 - 60" X 16" - WELDMENT	1
11	LAM TOP ASSY 60"W - BOLT ON - EXTENDED 6" DEEPER	1
12	DECORATIVE END PANEL 30" TIER 1 - LH KIT - MANUFACTURED	1
13	DECORATIVE END PANEL 30" TIER 1 - RH KIT - MANUFACTURED	1
14	BASE UNIT REAR PANEL KIT 60"W - LAMINATED STEEL - INSIDE SECURING	1
15	DISPLAY WALL REAR PANEL KIT 60"W X 16"H - LAMINATED STEEL - INSIDE SECURING	1
16	BASE FRAME FRONT PANEL KIT - 60" BASE UNIT	1
17	FRAME MOUNTED CPU SWING	1
18	1/4-20 X 1/2 SEMS PHILLIPS PAN HD, BLACK	24
19	THREE PIECE WIRE MANAGEMENT	4
20	1/4-20 X 3/4" TRUSS HEAD SCREW, BLACK	8
21	TREE-LOC RECEPTACLE 320-221401-00	10
22	DRAWER	1
23	1/2-13 X 1.0" GLIDE FOOT - NO HEX HEAD	3
24	1/2-13 X 2-1/2" GLIDE FOOT W/ 5/16" HEX HEAD	2





ITEM NO.	DESCRIPTION	QTY.
1	BASE FRAME LOWER RAIL 72"W	1
2	BASE FRAME/DISPLAY WALL UPPER RAIL 72"W	1
3	BASE FRAME MIDDLE RAIL	2
4	BASE FRAME END RAIL	2
5	BASE FRAME/DISPLAY WALL LATCH CATCH TAB	3
6	UPRIGHT WELD ASSY LH	1
7	UPRIGHT WELD ASSEMBLY RH	1
8	REAR WORKSURFACE SUPPORT BRACKET 72"W	1
9	UPRIGHT SUPPORT LH	1
10	UPRIGHT SUPPORT RH	1
11	FRONT ERGO WORKSURFACE SUPPORT LH 30"	1
12	FRONT ERGO WORKSURFACE SUPPORT RH 30"	1
13	LAM TOP CAP ASSY 72"W - BOLT ON - EXTENDED 6" DEEPER	1
14	DISPLAY WALL FRAME WELD ASSEMBLY 72" X 16"	1
15	DISPLAY WALL FRAME - CUSTOM TIER 1 - 72" X 16" - WELDMENT	1
16	LINEAR ERGO WORKSURFACE 72" X 24"	1
17	DECORATIVE END PANEL 30" TIER 1 - LH KIT - MANUFACTURED	1
18	DECORATIVE END PANEL 30" TIER 1 - RH KIT - MANUFACTURED	1
19	BASE UNIT REAR PANEL KIT 72"W - LAMINATED STEEL - INSIDE SECURING	1
20	DISPLAY WALL REAR PANEL KIT 48"W X 16"H - LAMINATED STEEL - INSIDE SECURING	1
21	BASE FRAME FRONT PANEL KIT - 72" BASE UNIT	1
22	FRAME MOUNTED CPU SWING	1
23	1/2-13 WELD NUT, BUCKEYE	7
24	1/4-20 NUT SERT NON-GRIP SENST	12
25	1/4-20 X 1/2 SEMS PHILLIPS PAN HD, BLACK	28
26	1/4-20 X 3/4" TRUSS HEAD SCREW, BLACK	8
27	THREE PIECE WIRE MANAGEMENT	6
28	1/2-13 X 2-1/2" GLIDE FOOT W/ 5/16" HEX HEAD	2
29	1/2-13 X 1.0" GLIDE FOOT - NO HEX HEAD	4
30	DRAWER	1



