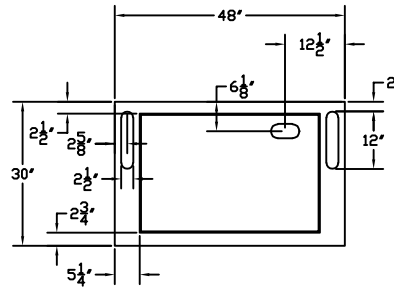


Lab Fume Hood Top Technical Drawing

SMS-03-V116

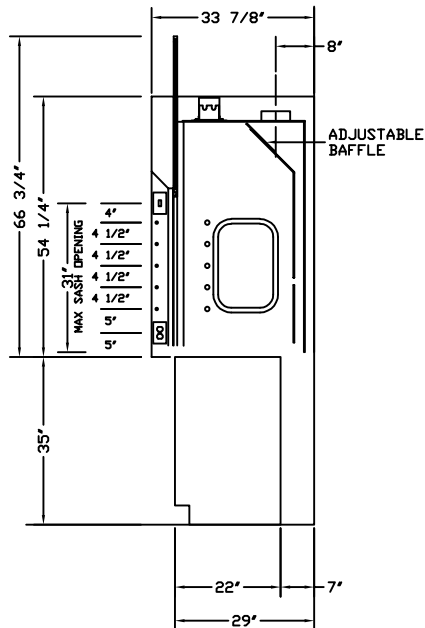
| QUANTITY | HOOD MODEL NUMBER | HOOD SIZE | COLLAR SIZE |
|------------|-------------------|-----------|-------------|
| 1 REQUIRED | B-604 | 48 | 6' X 12 |

HOOD DATA:
 BASED ON 100 FPM, SASH FULL OPEN
 CFM = 867
 SP = 0.39

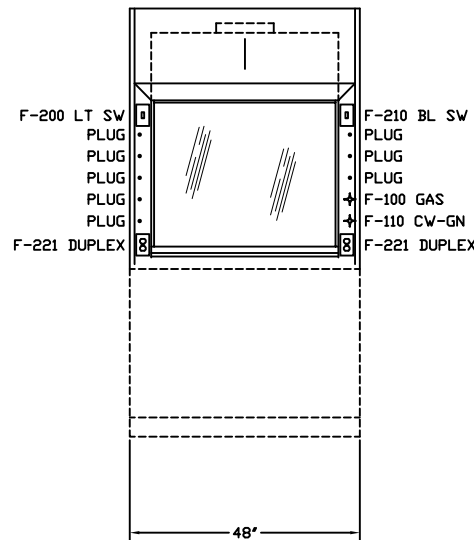


1' DISHED EPOXY RESIN HOOD TOP
 3' X 6" CUPSINK(S)

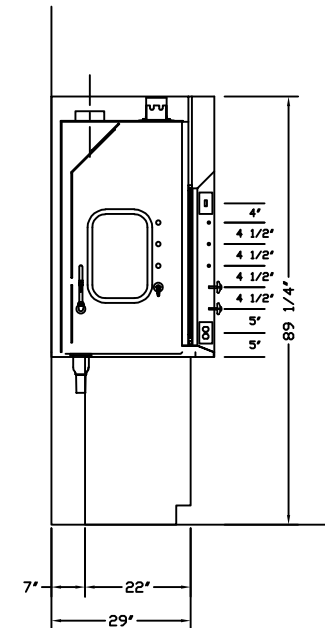
- HOOD HAS THE FOLLOWING STANDARD FEATURES:
- 1-WHITE RESIN-CHEM LINER.
 - 2-1/4" LAMINATED SAFETY GLASS IN BLACK PVC FRAME.
 - 3-BLACK POWDER COATED AIRFOIL
 - 4-T8 FLUORESCENT LIGHT WITH BULBS.
 - 5-RECTANGULAR TYPE 304 STAINLESS STEEL DUCT COLLAR.
 - 6-PREPUNCHED FIXTURE HOLES IN POST & INNER SIDE PANEL.
 - 7-GASKETED ACCESS PANELS.
 - 8-BLACK PVC SASH GUIDES.
 - 9-UPPER ADJUSTABLE BAFFLE.
 - 10-CABLE AND PULLEY COUNTER BALANCE SYSTEM.
 - 11-REMOTE CONTROL SERVICE FIXTURES.
 - 12-PRE-WIRE ELECTRICAL FIXTURES TO J-BOX ON TOP OF HOOD.
 - 13-PRE-PLUMB SERVICE FIXTURES, VERIFY UP OR DOWN



LEFT VIEW



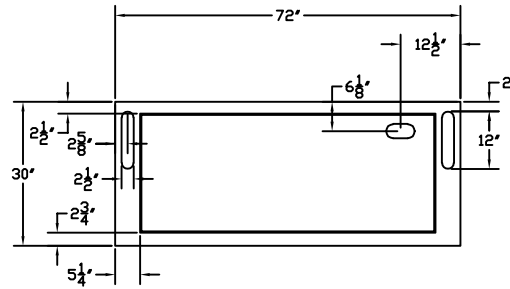
ELEVATION



RIGHT VIEW

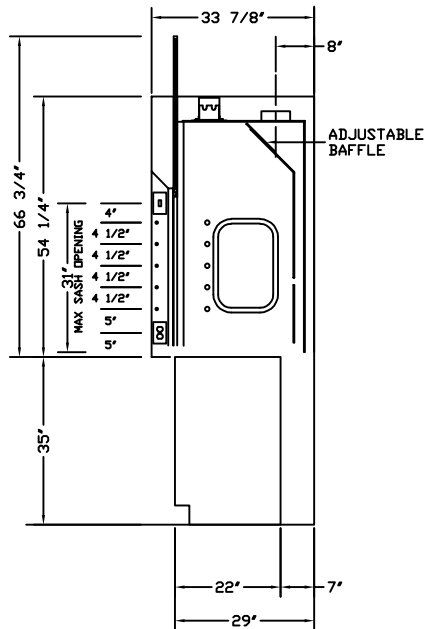
| QUANTITY | HOOD MODEL NUMBER | HOOD SIZE | COLLAR SIZE |
|------------|-------------------|-----------|-------------|
| 1 REQUIRED | B-606 | 72 | 6" X 20 |

OOD DATA:
 BASED ON 100 FPM, SASH FULL OPEN
 CFM = 1400
 SP = 0.37

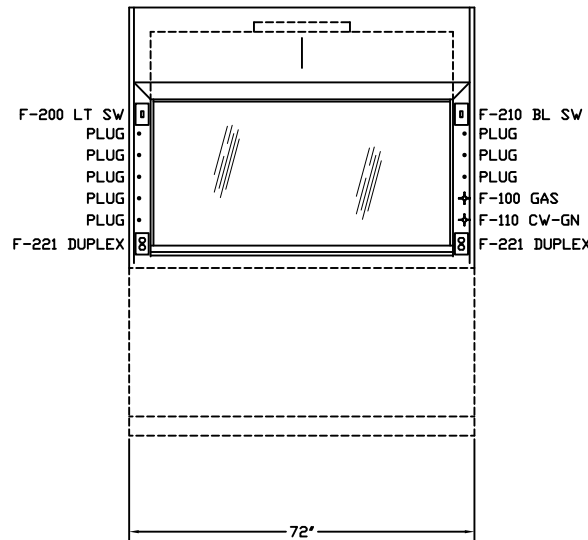


1' DISHED EPOXY RESIN HOOD TOP
 3" X 6" CUPSINK(S)

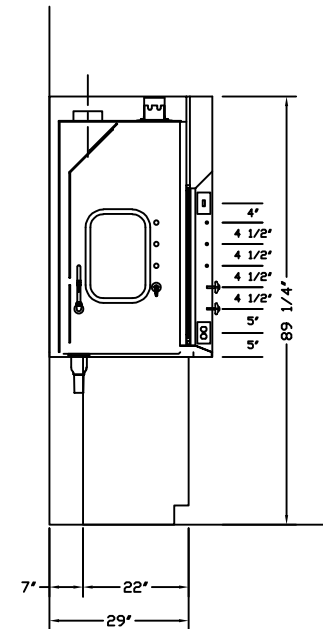
- HOOD HAS THE FOLLOWING STANDARD FEATURES:
- 1-WHITE RESIN-CHEM LINER.
 - 2-1/4" LAMINATED SAFETY GLASS IN BLACK PVC FRAME.
 - 3-BLACK POWDER COATED AIRFOIL
 - 4-T8 FLUORESCENT LIGHT WITH BULBS.
 - 5-RECTANGULAR TYPE 304 STAINLESS STEEL DUCT COLLAR.
 - 6-PREPUNCHED FIXTURE HOLES IN POST & INNER SIDE PANEL.
 - 7-GASKETED ACCESS PANELS.
 - 8-BLACK PVC SASH GUIDES.
 - 9-UPPER ADJUSTABLE BAFFLE.
 - 10-CABLE AND PULLEY COUNTER BALANCE SYSTEM.
 - 11-REMOTE CONTROL SERVICE FIXTURES.
 - 12-PRE-WIRE ELECTRICAL FIXTURES TO J-BOX ON TOP OF HOOD.
 - 13-PRE-PLUMB SERVICE FIXTURES, VERIFY UP OR DOWN



LEFT VIEW



ELEVATION

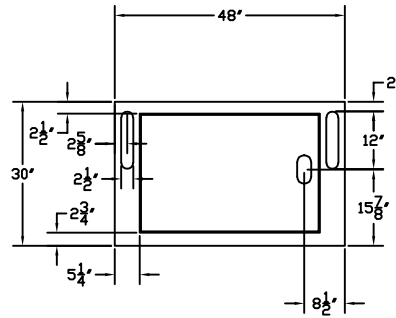


RIGHT VIEW



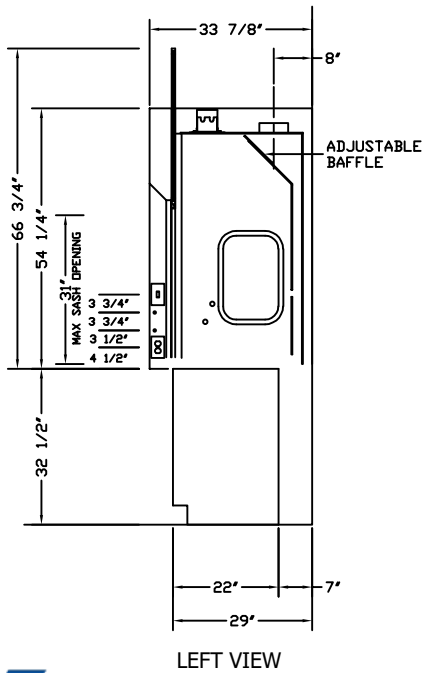
| QUANTITY | HOOD MODEL NUMBER | HOOD SIZE | COLLAR SIZE |
|------------|-------------------|-----------|-------------|
| 1 REQUIRED | B-604 | 48 | 6' X 12' |

HOOD DATA:
 BASED ON 100 FPM, SASH FULL OPEN
 CFM = 867
 SP = 0.39

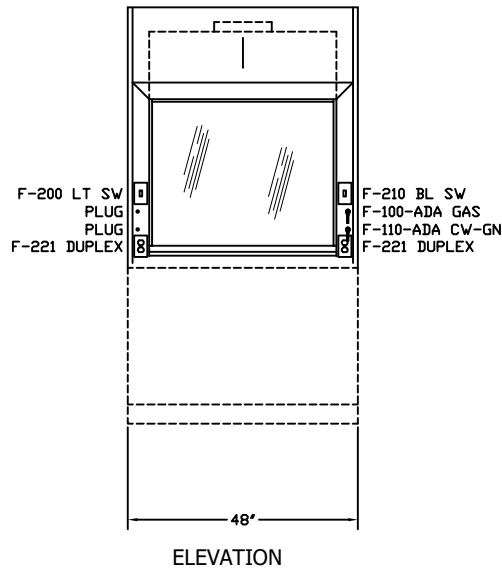


1' DISHED EPOXY RESIN HOOD TOP
 3' X 6" CUPSINK(S)

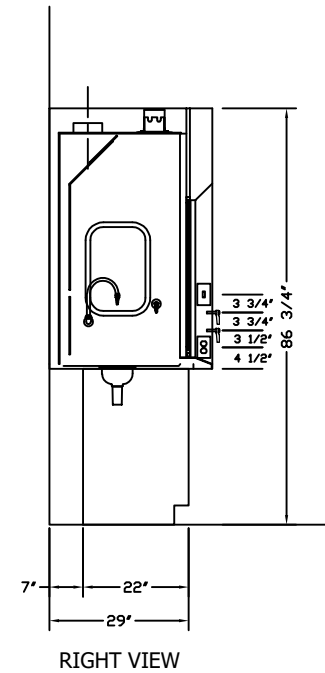
- HOOD HAS THE FOLLOWING STANDARD FEATURES:
- 1-WHITE RESIN-CHEM LINER.
 - 2-1/4" LAMINATED SAFETY GLASS IN BLACK PVC FRAME.
 - 3-BLACK POWDER COATED AIRFOIL
 - 4-T8 FLUORESCENT LIGHT WITH BULBS.
 - 5-RECTANGULAR TYPE 304 STAINLESS STEEL DUCT COLLAR.
 - 6-PREPUNCHED FIXTURE HOLES IN POST & INNER SIDE PANEL.
 - 7-GASKETED ACCESS PANELS.
 - 8-BLACK PVC SASH GUIDES.
 - 9-UPPER ADJUSTABLE BAFFLE.
 - 10-CABLE AND PULLEY COUNTER BALANCE SYSTEM.
 - 11-ADA BALL VALVE SERVICE FIXTURE.
 - 12-PRE-WIRE ELECTRICAL FIXTURES TO J-BOX ON TOP OF HOOD.
 - 13-PRE-PLUMB SERVICE FIXTURES, VERIFY UP OR DOWN



LEFT VIEW



ELEVATION

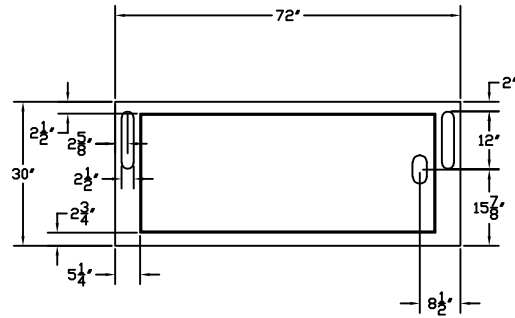


RIGHT VIEW



| QUANTITY | HOOD MODEL NUMBER | HOOD SIZE | COLLAR SIZE |
|------------|-------------------|-----------|-------------|
| 1 REQUIRED | B-606 | 72 | 6" X 20 |

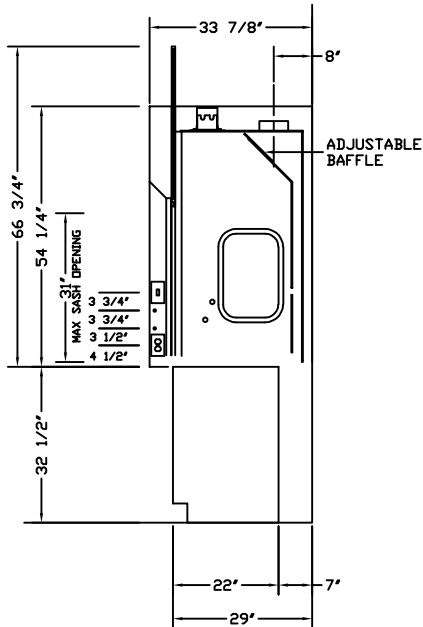
HOOD DATA:
 BASED ON 100 FPM, SASH FULL OPEN
 CFM = 1400
 SP = 0.37



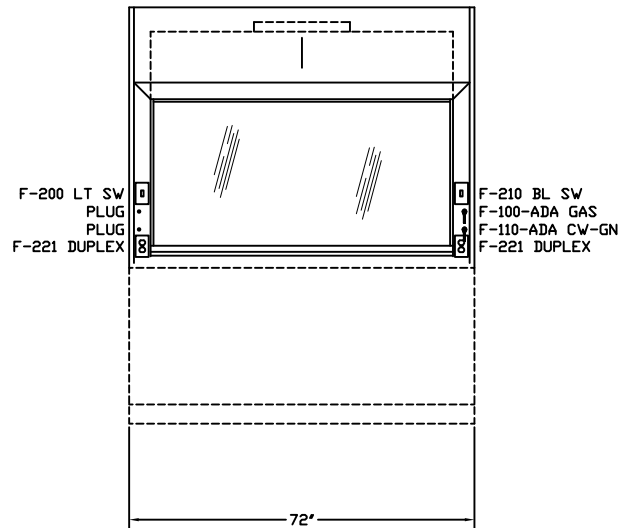
1' DISHED EPOXY RESIN HOOD TOP
 3" X 6" CUPSINK(S)

HOOD HAS THE FOLLOWING STANDARD FEATURES:

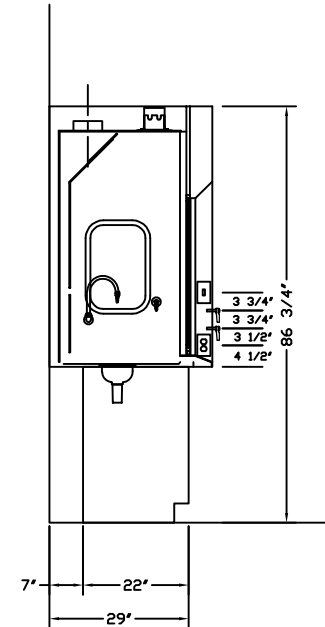
- 1-WHITE RESIN-CHEM LINER.
- 2-1/4" LAMINATED SAFETY GLASS IN BLACK PVC FRAME.
- 3-BLACK POWDER COATED AIRFOIL
- 4-T8 FLUORESCENT LIGHT WITH BULBS.
- 5-RECTANGULAR TYPE 304 STAINLESS STEEL DUCT COLLAR.
- 6-PREPUNCHED FIXTURE HOLES IN POST & INNER SIDE PANEL.
- 7-GASKETED ACCESS PANELS.
- 8-BLACK PVC SASH GUIDES.
- 9-UPPER ADJUSTABLE BAFFLE.
- 10-CABLE AND PULLEY COUNTER BALANCE SYSTEM.
- 11-ADA BALL VALVE SERVICE FIXTURE.
- 12-PRE-WIRE ELECTRICAL FIXTURES TO J-BOX ON TOP OF HOOD.
- 13-PRE-PLUMB SERVICE FIXTURES, VERIFY UP OR DOWN



LEFT VIEW



ELEVATION



RIGHT VIEW

