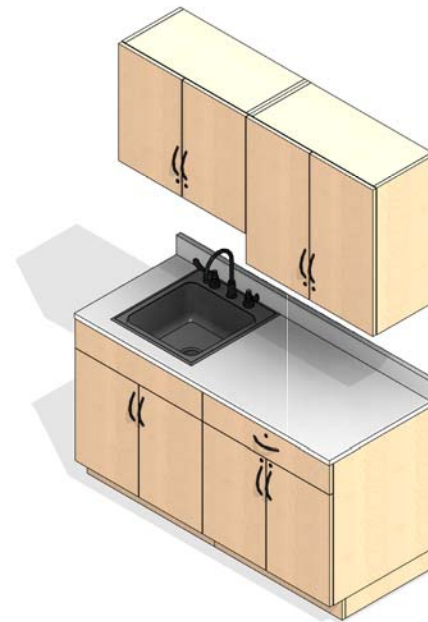
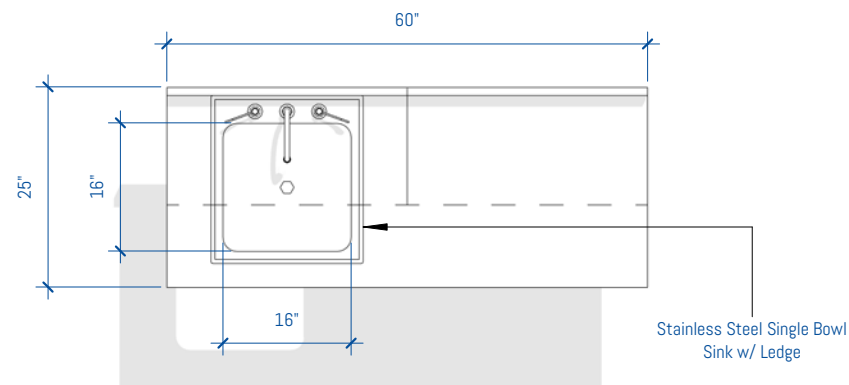


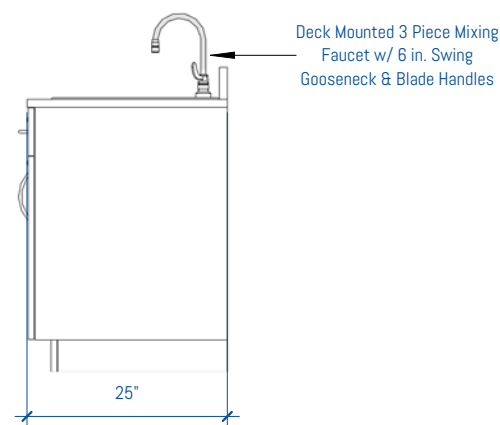
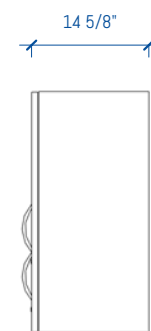
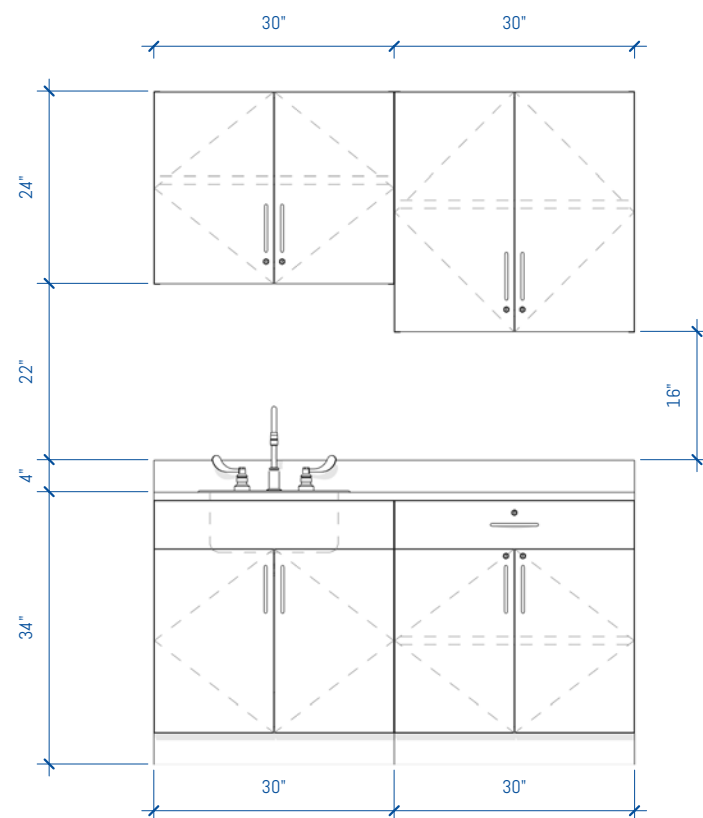
Exam Room Cabinets - 5' Wide - Option 1

SMS-03-V90-SSG-EX05-1-L



4 EXAM ROOM - LAM 5ft - OPTION 1
1/2" = 1'-0"

3 EXAM ROOM - LAM 5ft - OPTION 1



2 EXAM ROOM - LAM 5ft - OPTION 1 - FRONT
1/2" = 1'-0"

1 EXAM ROOM - LAM 5ft - OPTION 1 - SIDE
1/2" = 1'-0"

GENERAL NOTES

SUSTAINABILITY

- Particleboard and MDF fabricated from recycled wood waste material
- Cardboard packaging made from recycled materials
- Unusable pallets are recycled
- All aluminum scrap is recycled
- All adhesives used are water-based
- Products meet low VOC standards
- Powder coat paint is used on all metal surfaces
- Greenguard Gold Certified to provide safe, quality, environmentally friendly workspaces.
- FSC and OSHPD certified components are also available

CONSTRUCTION

- Cabinets are constructed of 3/4" thick industrial grade 40-50lb substrate, double-faced melamine
- All exposed edges are covered with 2mm PVC edge banding
- All panels are connected with hafele mini-fix cam hidden fastener system
- All cabinets are rail mounted for ease of install
- Work surfaces are constructed of 1 1/16" thick high-pressure laminate



MODULAR CASEWORK
ROOM SEGMENTS

Copyright 2017 Southwest Solutions Group. This material is proprietary and confidential and the disclosure, reproduction (by photocopy, film, blueprint or otherwise) or incorporation into any information retrieval system without first receiving written approval from Southwest Solutions Group is expressly prohibited by law.

Approved By

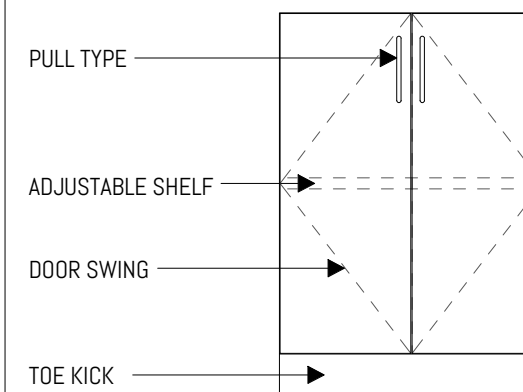
Date

Drawn by DHaynal

Salesperson SSG

Scale 1/2" = 1'-0"

LEGEND



RN	DATE	DESCRIPTION
SSG REVISION SCHEDULE		

EXAM ROOM - LAM 5ft
- OPTION 1

SHEET NUMBER

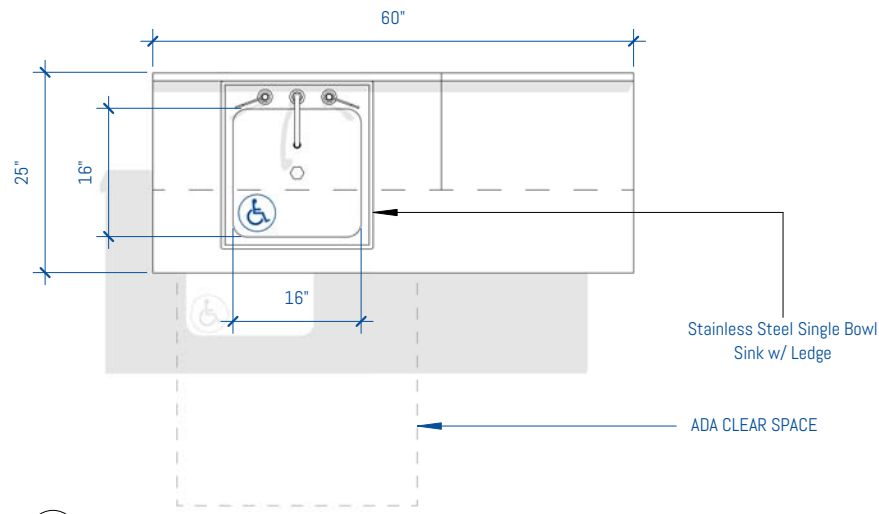
ER-1 of ER-30

FOR MORE INFORMATION

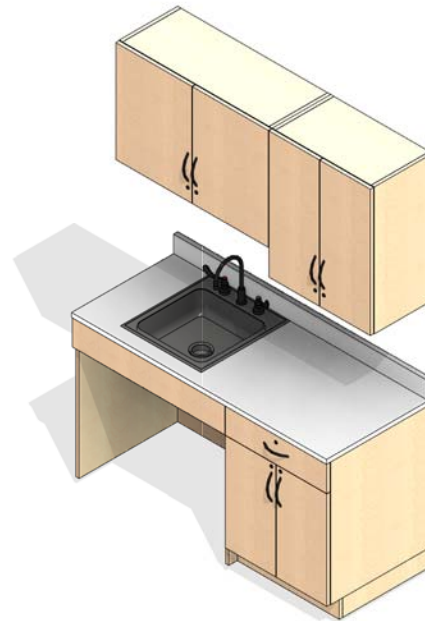
<https://bim.southwestsolutions.com>

Exam Room Cabinets - 5' Wide - Option 2

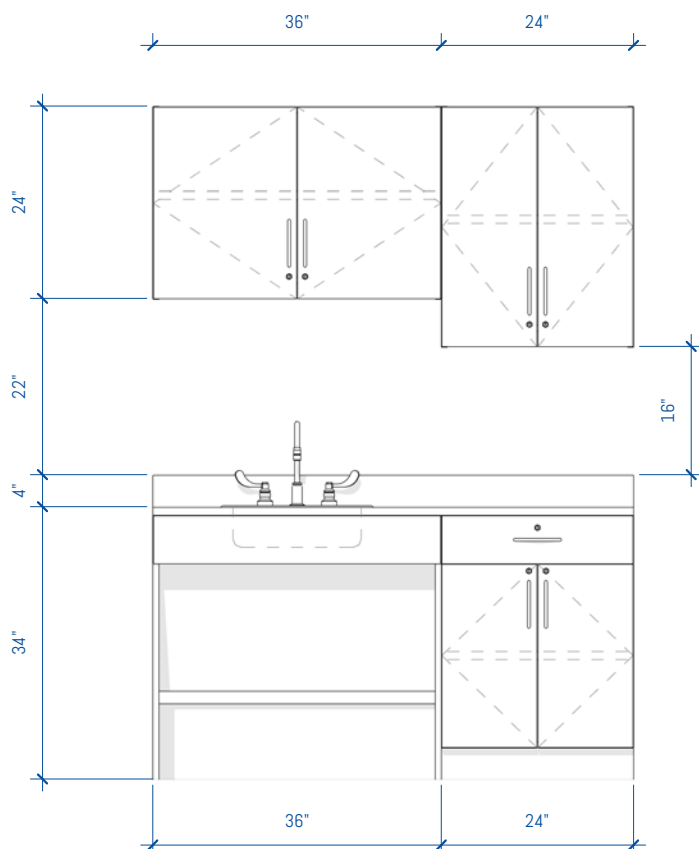
SMS-03-V90-SSG-EX05-2-L



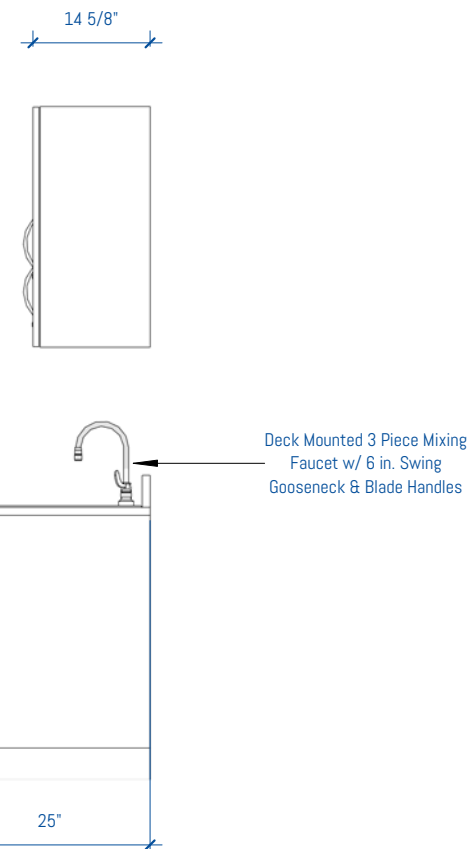
4 EXAM ROOM - LAM 5ft - OPTION 2
1/2" = 1'-0"



3 EXAM ROOM - LAM 5ft - OPTION 2



2 EXAM ROOM - LAM 5ft - OPTION 2 - FRONT
1/2" = 1'-0"



1 EXAM ROOM - LAM 5ft - OPTION 2 - SIDE
1/2" = 1'-0"

GENERAL NOTES

SUSTAINABILITY

- Particleboard and MDF fabricated from recycled wood waste material
- Cardboard packaging made from recycled materials
- Unusable pallets are recycled
- All aluminum scrap is recycled
- All adhesives used are water-based
- Products meet low VOC standards
- Powder coat paint is used on all metal surfaces
- Greenguard Gold Certified to provide safe, quality, environmentally friendly workspaces.
- FSC and OSHPD certified components are also available

CONSTRUCTION

- Cabinets are constructed of 3/4" thick industrial grade 40-50lb substrate, double-faced melamine
- All exposed edges are covered with 2mm PVC edge banding
- All panels are connected with hafele mini-fix cam hidden fastener system
- All cabinets are rail mounted for ease of install
- Work surfaces are constructed of 1 1/16" thick high-pressure laminate



MODULAR CASEWORK
ROOM SEGMENTS

Copyright 2017 Southwest Solutions Group. This material is proprietary and confidential and the disclosure, reproduction (by photocopy, film, blueprint or otherwise) or incorporation into any information retrieval system without first receiving written approval from Southwest Solutions Group is expressly prohibited by law.

Approved By

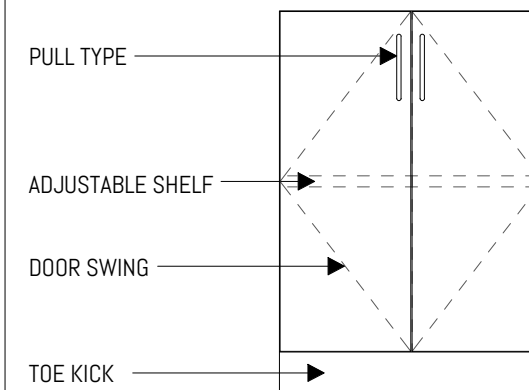
Date

Drawn by DHaynal

Salesperson SSG

Scale 1/2" = 1'-0"

LEGEND



RN DATE DESCRIPTION

SSG REVISION SCHEDULE

EXAM ROOM - LAM 5ft
- OPTION 2

SHEET NUMBER

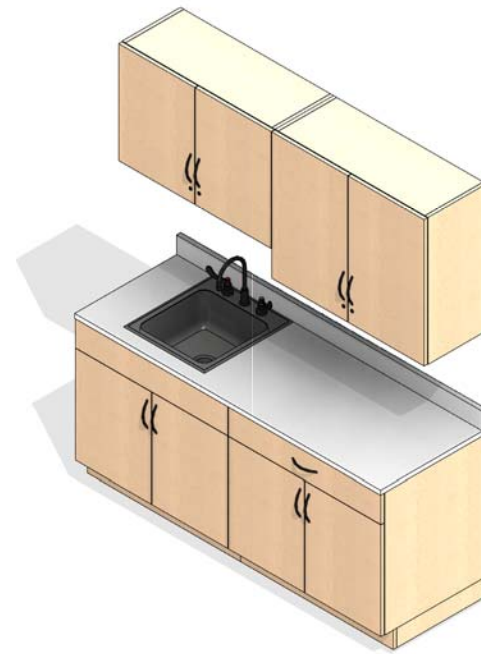
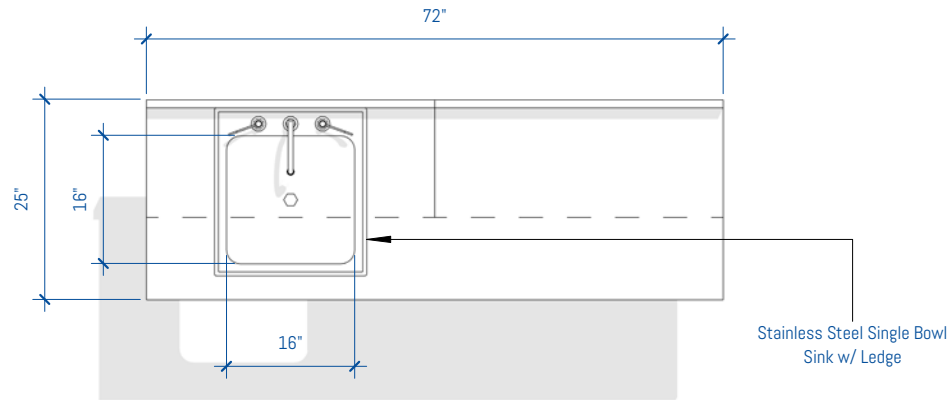
ER-2 of ER-30

FOR MORE INFORMATION

<https://bim.southwestsolutions.com>

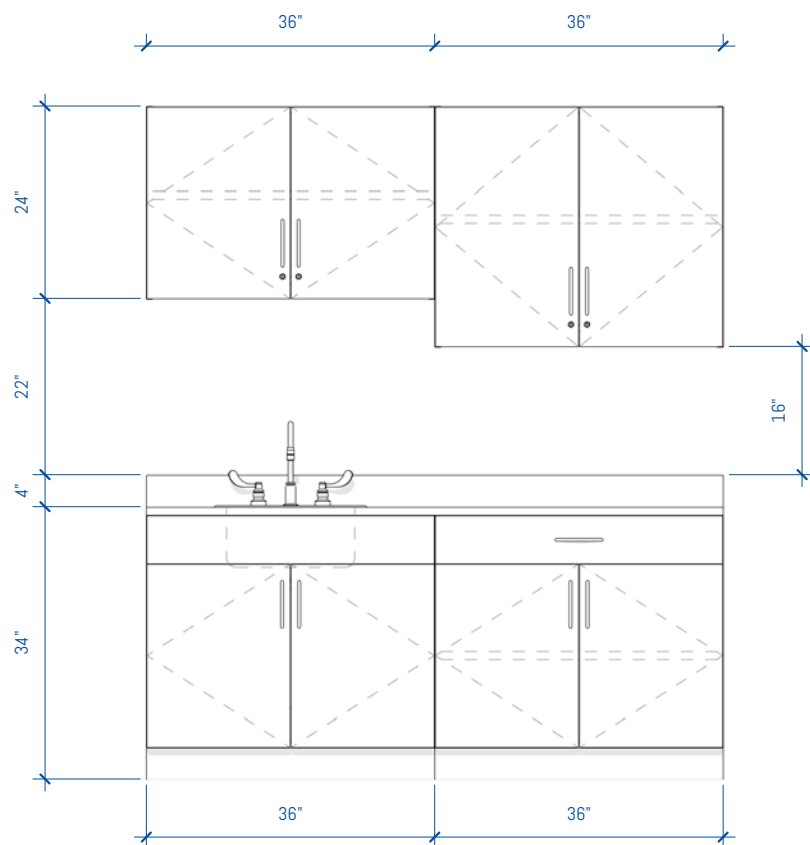
Exam Room Cabinets - 6' Wide - Option 1

SMS-03-V90-SSG-EX06-1-L

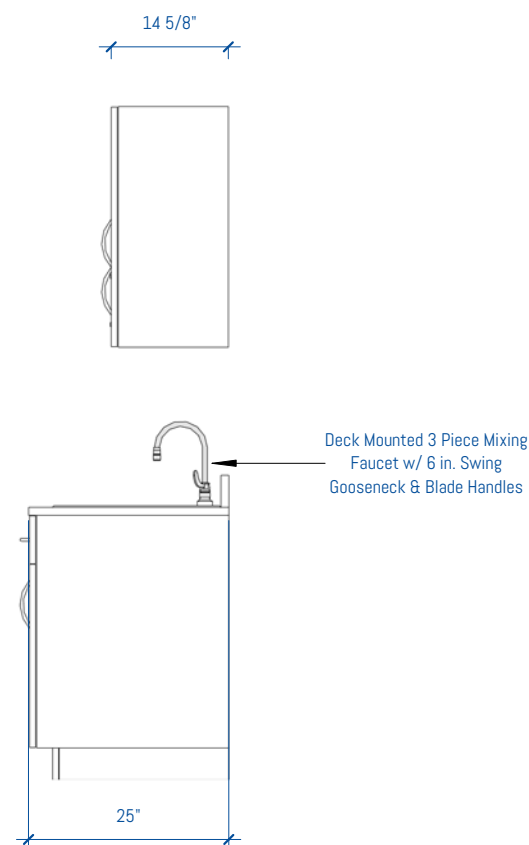


4 EXAM ROOM - LAM 6ft - OPTION 1
1/2" = 1'-0"

3 EXAM ROOM - LAM 6ft - OPTION 1



2 EXAM ROOM - LAM 6ft - OPTION 1 - FRONT
1/2" = 1'-0"



1 EXAM ROOM - LAM 6ft - OPTION 1 - SIDE
1/2" = 1'-0"

GENERAL NOTES

SUSTAINABILITY

- Particleboard and MDF fabricated from recycled wood waste material
- Cardboard packaging made from recycled materials
- Unusable pallets are recycled
- All aluminum scrap is recycled
- All adhesives used are water-based
- Products meet low VOC standards
- Powder coat paint is used on all metal surfaces
- Greenguard Gold Certified to provide safe, quality, environmentally friendly workspaces.
- FSC and OSHPD certified components are also available

CONSTRUCTION

- Cabinets are constructed of 3/4" thick industrial grade 40-50lb substrate, double-faced melamine
- All exposed edges are covered with 2mm PVC edge banding
- All panels are connected with hafele mini-fix cam hidden fastener system
- All cabinets are rail mounted for ease of install
- Work surfaces are constructed of 1 1/16" thick high-pressure laminate



MODULAR CASEWORK
ROOM SEGMENTS

Copyright 2017 Southwest Solutions Group. This material is proprietary and confidential and the disclosure, reproduction (by photocopy, film, blueprint or otherwise) or incorporation into any information retrieval system without first receiving written approval from Southwest Solutions Group is expressly prohibited by law.

Approved By

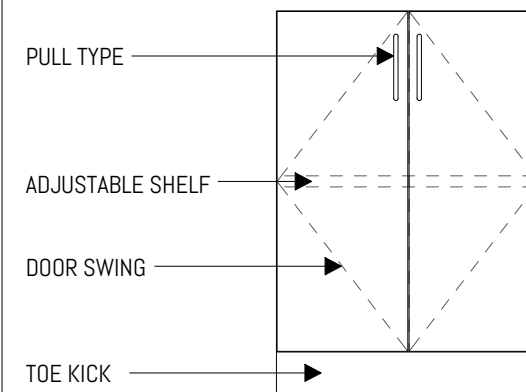
Date

Drawn by DHaynal

Salesperson SSG

Scale 1/2" = 1'-0"

LEGEND



RN DATE DESCRIPTION

SSG REVISION SCHEDULE

EXAM ROOM - LAM 6ft
- OPTION 1

SHEET NUMBER

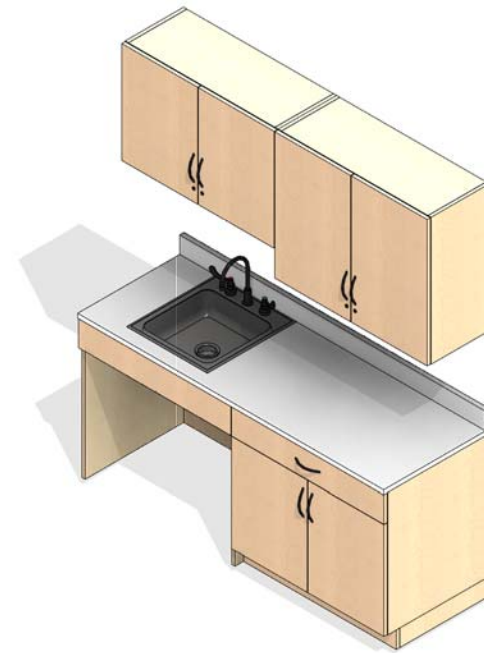
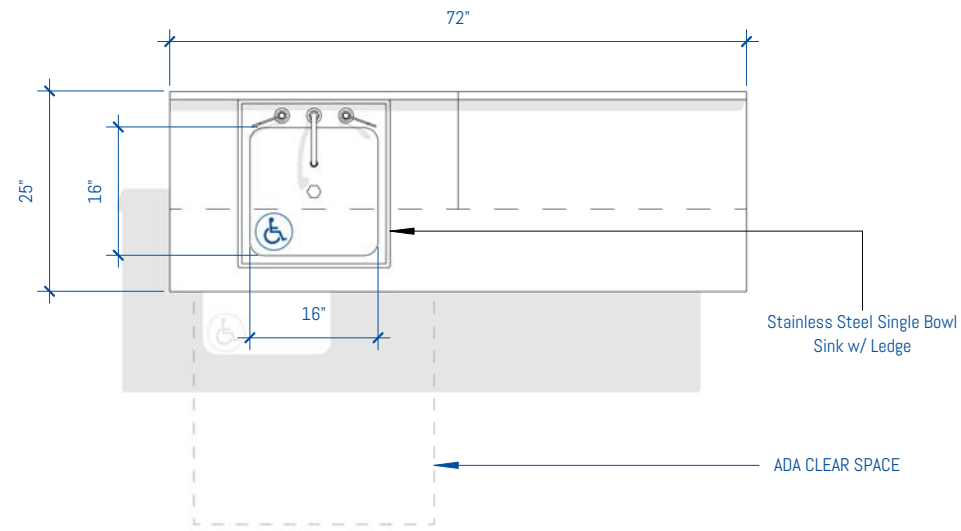
ER-3 of ER-30

FOR MORE INFORMATION

<https://bim.southwestsolutions.com>

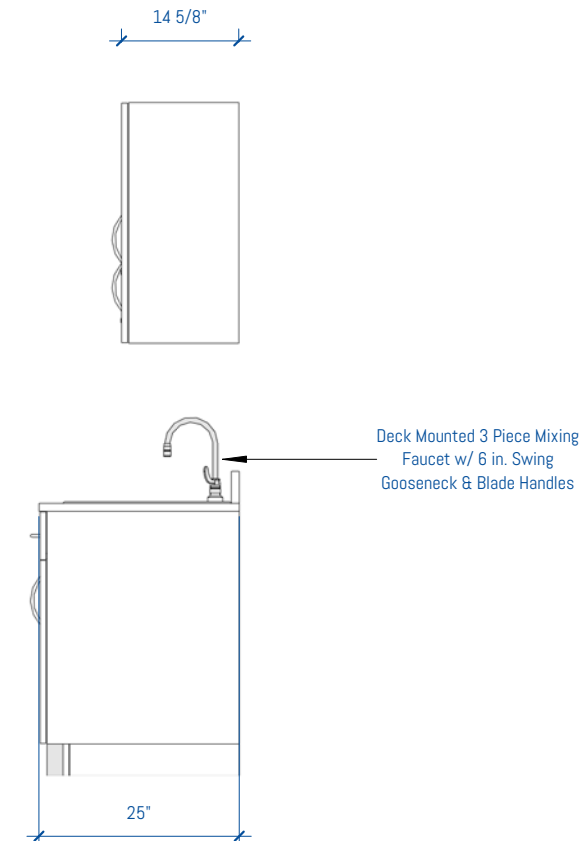
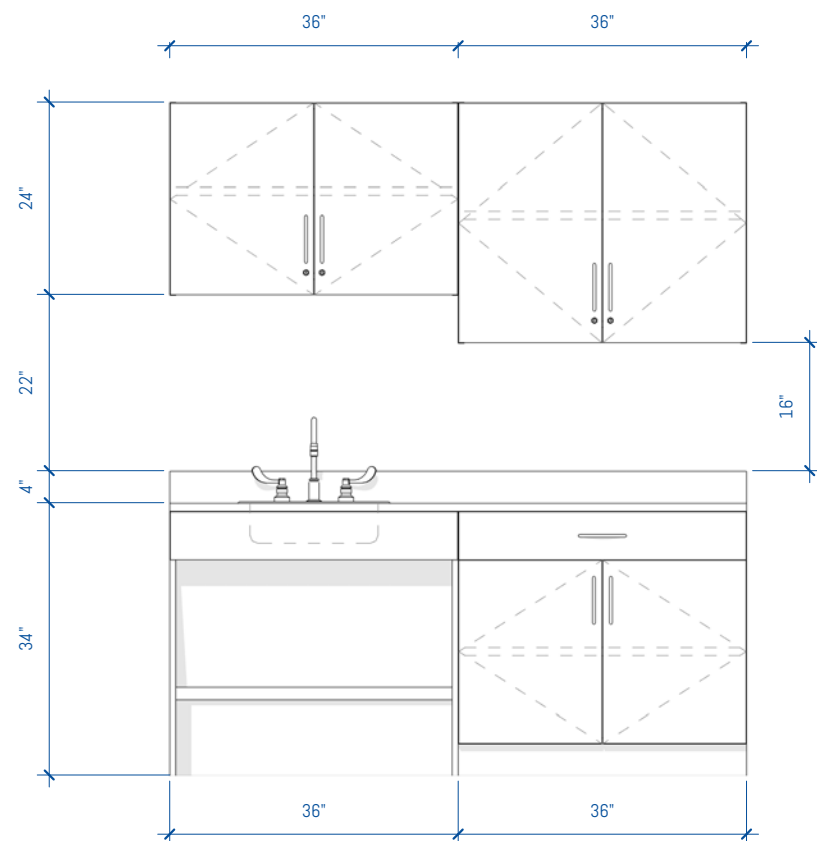
Exam Room Cabinets - 6' Wide - Option 2

SMS-03-V90-SSG-EX06-2-L



4 EXAM ROOM - LAM 6ft - OPTION 2
1/2" = 1'-0"

3 EXAM ROOM - LAM 6ft - OPTION 2



2 EXAM ROOM - LAM 6ft - OPTION 2 - FRONT
1/2" = 1'-0"

1 EXAM ROOM - LAM 6ft - OPTION 2 - SIDE
1/2" = 1'-0"

GENERAL NOTES

SUSTAINABILITY

- Particleboard and MDF fabricated from recycled wood waste material
- Cardboard packaging made from recycled materials
- Unusable pallets are recycled
- All aluminum scrap is recycled
- All adhesives used are water-based
- Products meet low VOC standards
- Powder coat paint is used on all metal surfaces
- Greenguard Gold Certified to provide safe, quality, environmentally friendly workspaces.
- FSC and OSHPD certified components are also available

CONSTRUCTION

- Cabinets are constructed of 3/4" thick industrial grade 40-50lb substrate, double-faced melamine
- All exposed edges are covered with 2mm PVC edge banding
- All panels are connected with hafele mini-fix cam hidden fastener system
- All cabinets are rail mounted for ease of install
- Work surfaces are constructed of 1 1/16" thick high-pressure laminate



MODULAR CASEWORK
ROOM SEGMENTS

Copyright 2017 Southwest Solutions Group. This material is proprietary and confidential and the disclosure, reproduction (by photocopy, film, blueprint or otherwise) or incorporation into any information retrieval system without first receiving written approval from Southwest Solutions Group is expressly prohibited by law.

Approved By

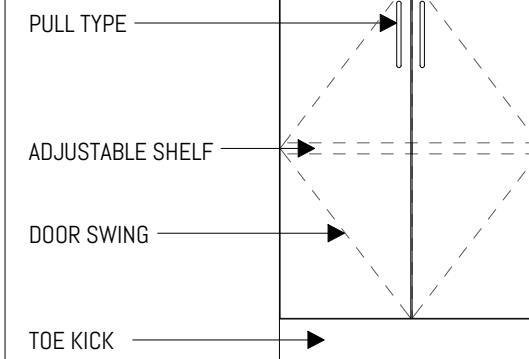
Date

Drawn by DHaynal

Salesperson SSG

Scale 1/2" = 1'-0"

LEGEND



RN	DATE	DESCRIPTION
SSG REVISION SCHEDULE		

EXAM ROOM - LAM 6ft
- OPTION 2

SHEET NUMBER

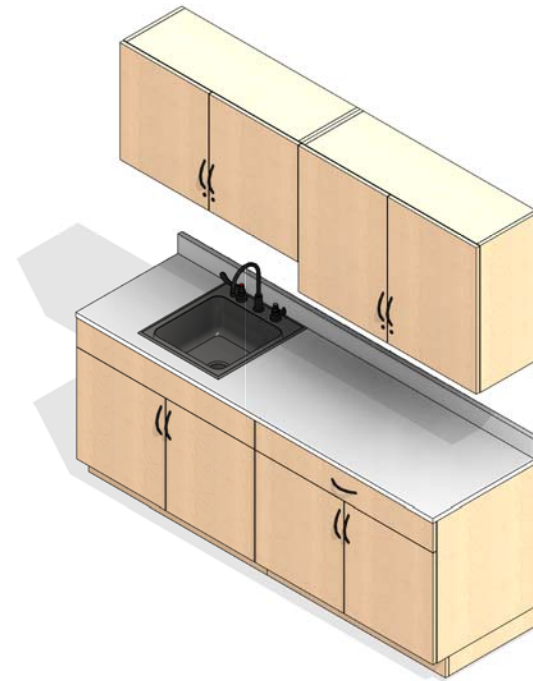
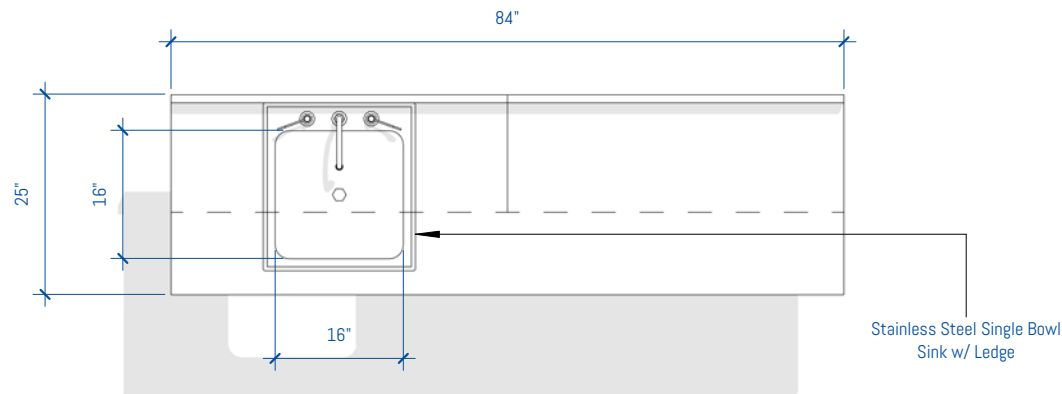
ER-4 of ER-30

FOR MORE INFORMATION

<https://bim.southwestsolutions.com>

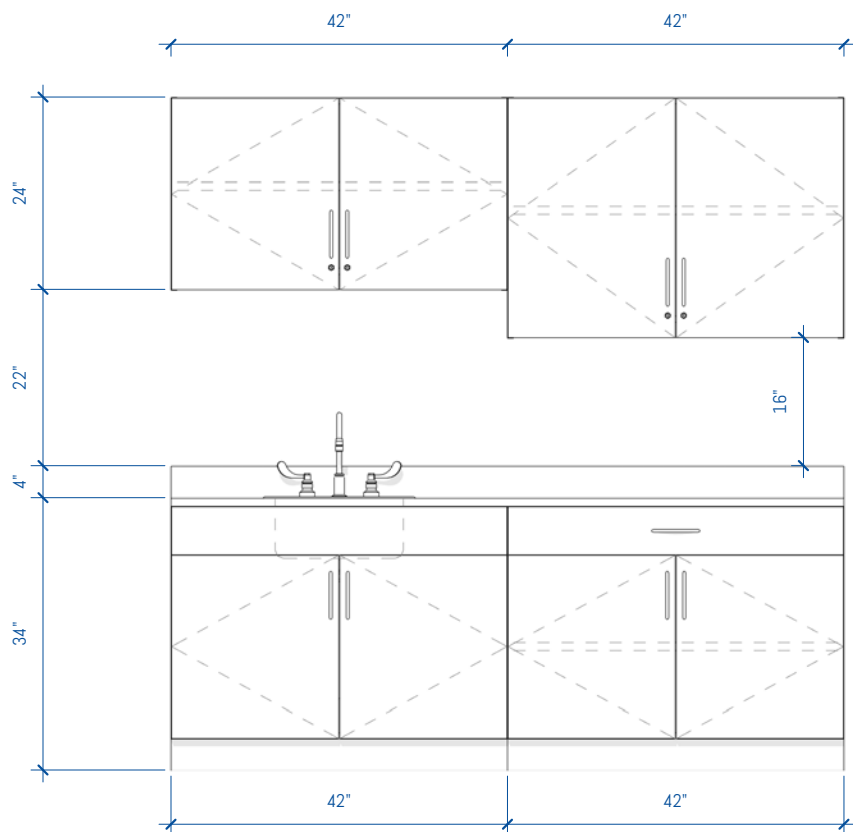
Exam Room Cabinets - 7' Wide - Option 1

SMS-03-V90-SSG-EX07-1-L

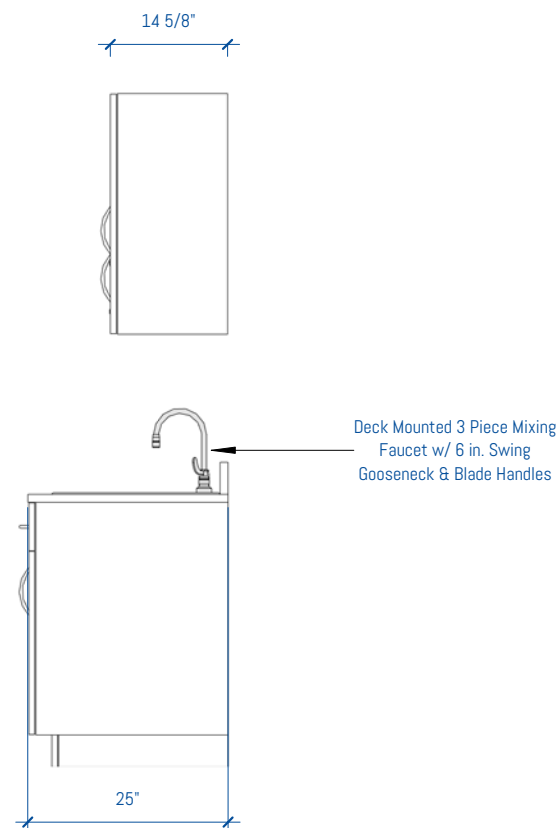


4 EXAM ROOM - LAM 7ft - OPTION 1
1/2" = 1'-0"

3 EXAM ROOM - LAM 7ft - OPTION 1



2 EXAM ROOM - LAM 7ft - OPTION 1 - FRONT
1/2" = 1'-0"



1 EXAM ROOM - LAM 7ft - OPTION 1 - SIDE
1/2" = 1'-0"

GENERAL NOTES

SUSTAINABILITY

- Particleboard and MDF fabricated from recycled wood waste material
- Cardboard packaging made from recycled materials
- Unusable pallets are recycled
- All aluminum scrap is recycled
- All adhesives used are water-based
- Products meet low VOC standards
- Powder coat paint is used on all metal surfaces
- Greenguard Gold Certified to provide safe, quality, environmentally friendly workspaces.
- FSC and OSHPD certified components are also available

CONSTRUCTION

- Cabinets are constructed of 3/4" thick industrial grade 40-50lb substrate, double-faced melamine
- All exposed edges are covered with 2mm PVC edge banding
- All panels are connected with hafele mini-fix cam hidden fastener system
- All cabinets are rail mounted for ease of install
- Work surfaces are constructed of 1 1/16" thick high-pressure laminate



MODULAR CASEWORK
ROOM SEGMENTS

Copyright 2017 Southwest Solutions Group. This material is proprietary and confidential and the disclosure, reproduction (by photocopy, film, blueprint or otherwise) or incorporation into any information retrieval system without first receiving written approval from Southwest Solutions Group is expressly prohibited by law.

Approved By

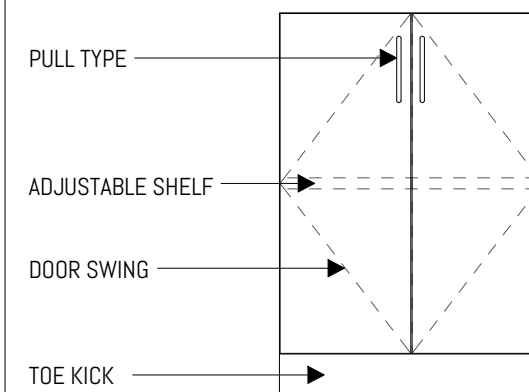
Date

Drawn by DHaynal

Salesperson SSG

Scale 1/2" = 1'-0"

LEGEND



RN DATE DESCRIPTION

SSG REVISION SCHEDULE

EXAM ROOM - LAM 7ft
- OPTION 1

SHEET NUMBER

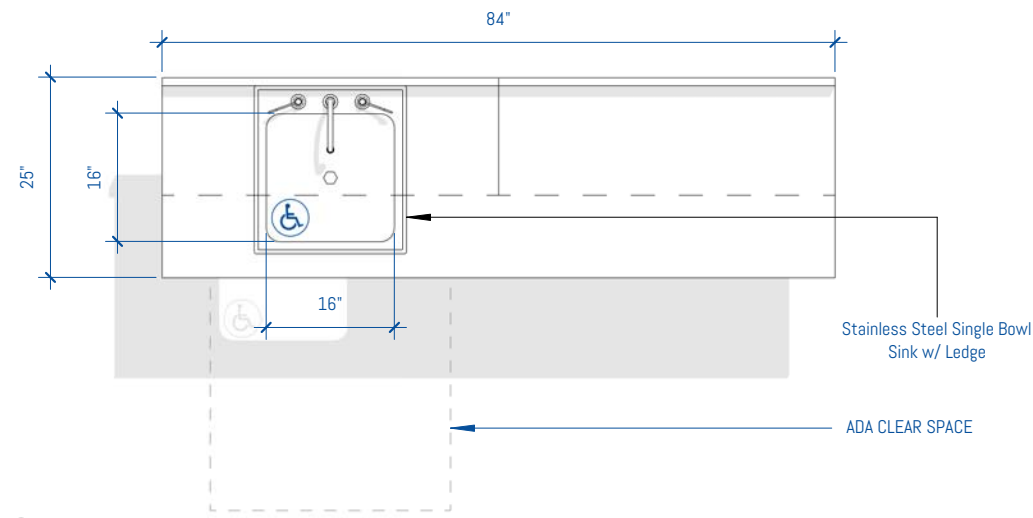
ER-5 of ER-30

FOR MORE INFORMATION

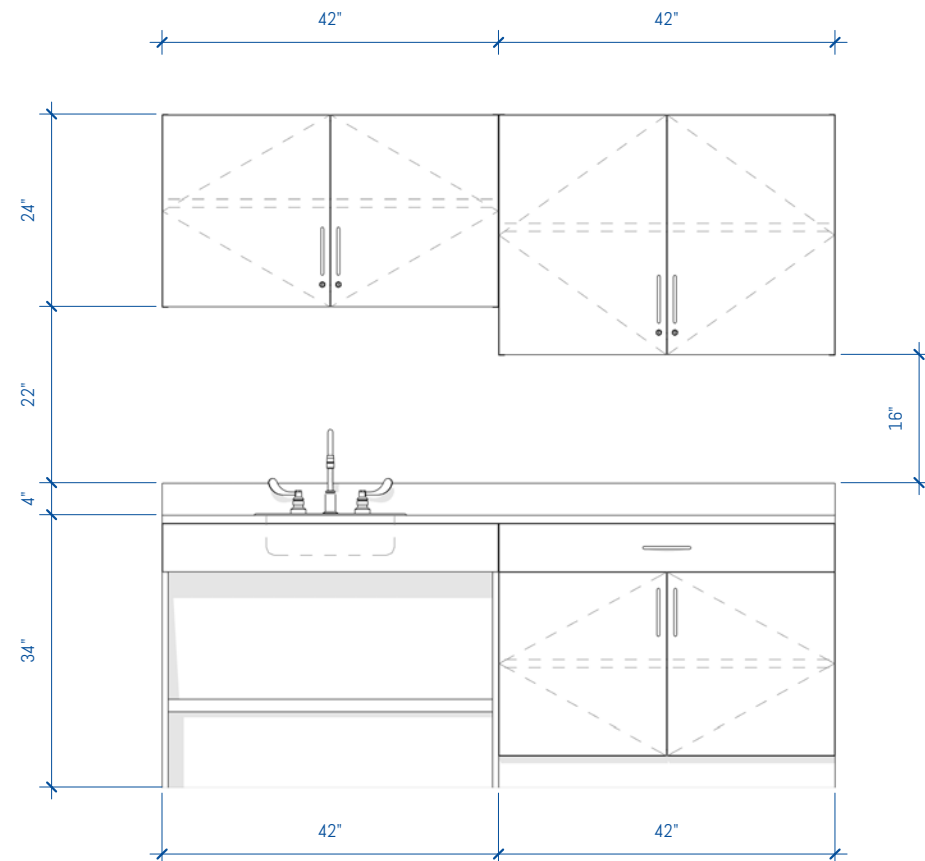
<https://bim.southwestsolutions.com>

Exam Room Cabinets - 7' Wide - Option 2

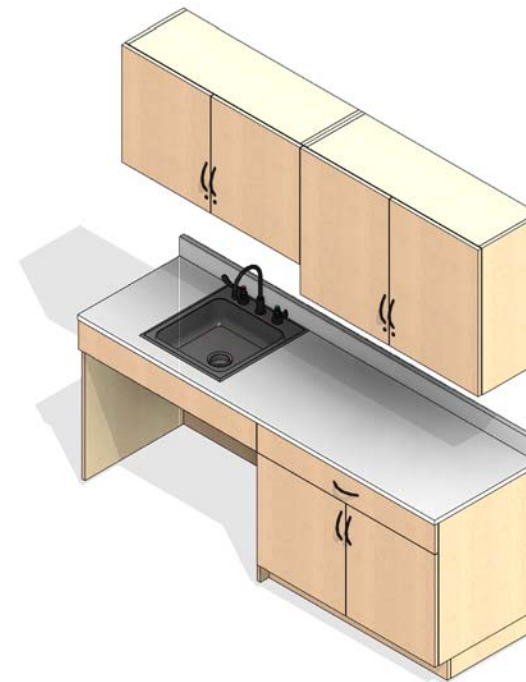
SMS-03-V90-SSG-EX07-2-L



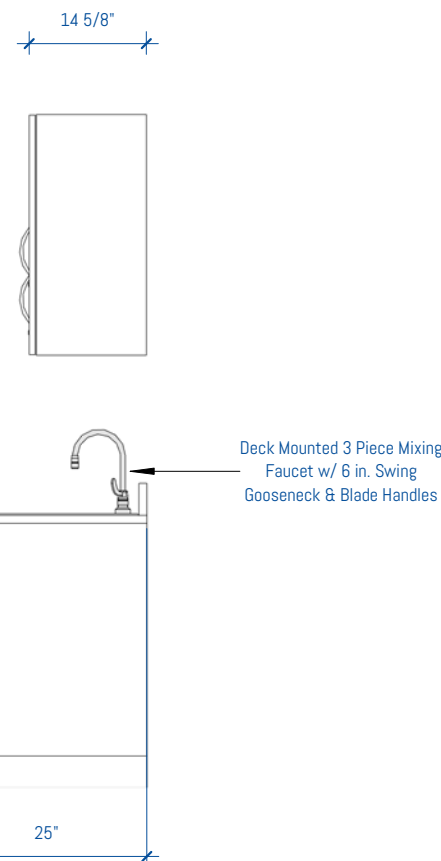
4 EXAM ROOM - LAM 7ft - OPTION 2
1/2" = 1'-0"



2 EXAM ROOM - LAM 7ft - OPTION 2 - FRONT
1/2" = 1'-0"



3 EXAM ROOM - LAM 7ft - OPTION 2



1 EXAM ROOM - LAM 7ft - OPTION 2 - SIDE
1/2" = 1'-0"

GENERAL NOTES

SUSTAINABILITY

- Particleboard and MDF fabricated from recycled wood waste material
- Cardboard packaging made from recycled materials
- Unusable pallets are recycled
- All aluminum scrap is recycled
- All adhesives used are water-based
- Products meet low VOC standards
- Powder coat paint is used on all metal surfaces
- Greenguard Gold Certified to provide safe, quality, environmentally friendly workspaces.
- FSC and OSHPD certified components are also available

CONSTRUCTION

- Cabinets are constructed of 3/4" thick industrial grade 40-50lb substrate, double-faced melamine
- All exposed edges are covered with 2mm PVC edge banding
- All panels are connected with hafele mini-fix cam hidden fastener system
- All cabinets are rail mounted for ease of install
- Work surfaces are constructed of 1 1/16" thick high-pressure laminate



MODULAR CASEWORK
ROOM SEGMENTS

Copyright 2017 Southwest Solutions Group. This material is proprietary and confidential and the disclosure, reproduction (by photocopy, film, blueprint or otherwise) or incorporation into any information retrieval system without first receiving written approval from Southwest Solutions Group is expressly prohibited by law.

Approved By

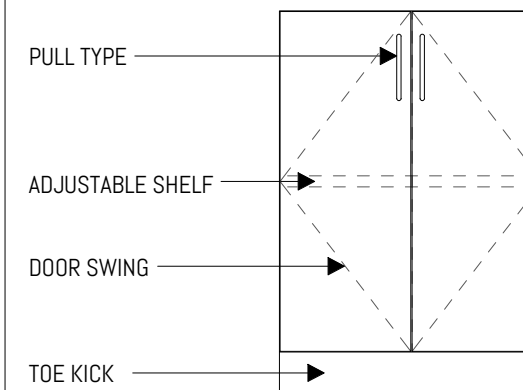
Date

Drawn by DHaynal

Salesperson SSG

Scale 1/2" = 1'-0"

LEGEND



RN DATE DESCRIPTION

SSG REVISION SCHEDULE

EXAM ROOM - LAM 7ft
- OPTION 2

SHEET NUMBER

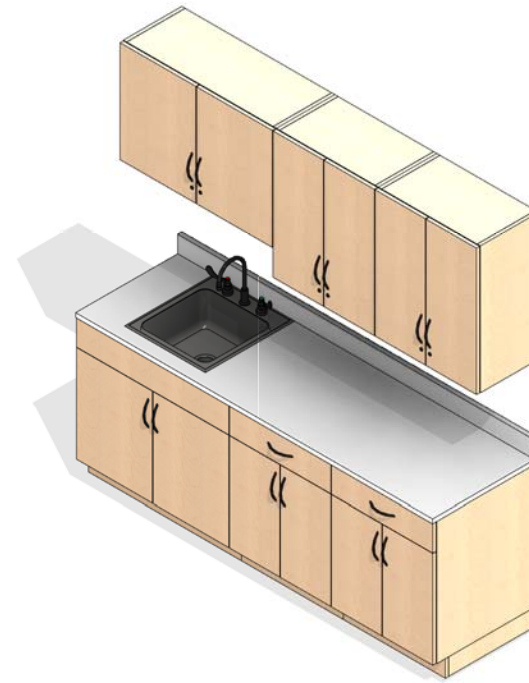
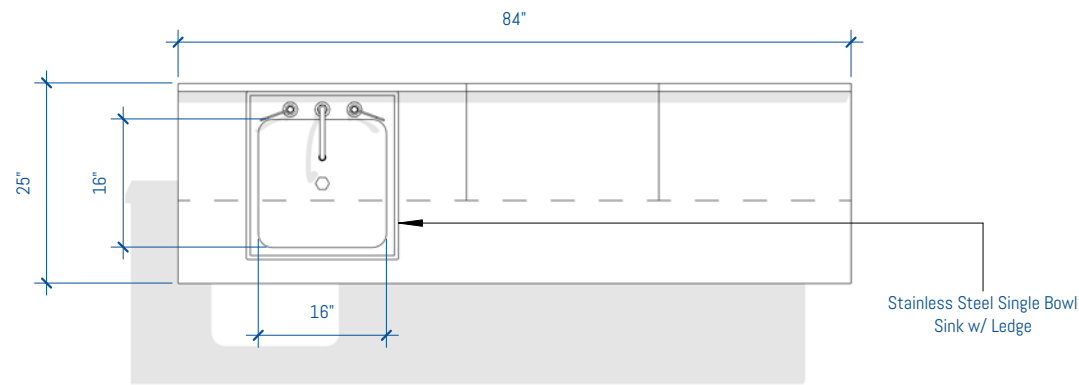
ER-6 of ER-30

FOR MORE INFORMATION

<https://bim.southwestsolutions.com>

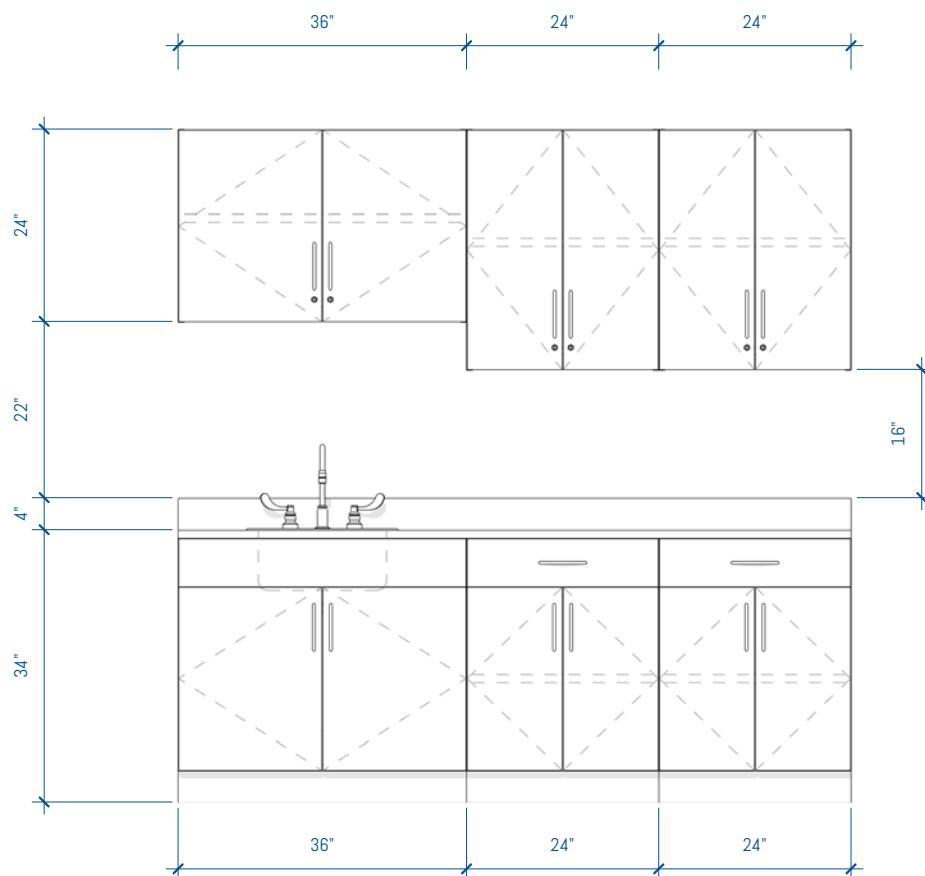
Exam Room Cabinets - 7' Wide - Option 3

SMS-03-V90-SSG-EX07-3-L

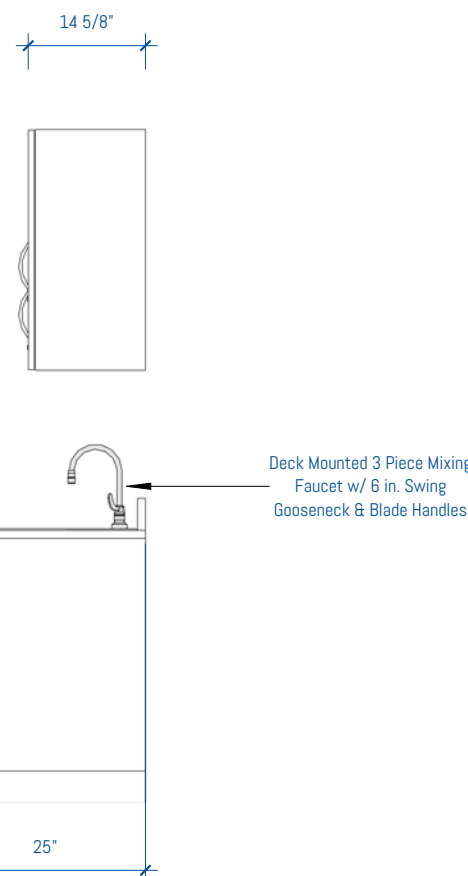


4 EXAM ROOM - LAM 7ft - OPTION 3
1/2" = 1'-0"

3 EXAM ROOM - LAM 7ft - OPTION 3



2 EXAM ROOM - LAM 7ft - OPTION 3 - FRONT
1/2" = 1'-0"



1 EXAM ROOM - LAM 7ft - OPTION 3 - SIDE
1/2" = 1'-0"

GENERAL NOTES

SUSTAINABILITY

- Particleboard and MDF fabricated from recycled wood waste material
- Cardboard packaging made from recycled materials
- Unusable pallets are recycled
- All aluminum scrap is recycled
- All adhesives used are water-based
- Products meet low VOC standards
- Powder coat paint is used on all metal surfaces
- Greenguard Gold Certified to provide safe, quality, environmentally friendly workspaces.
- FSC and OSHPD certified components are also available

CONSTRUCTION

- Cabinets are constructed of 3/4" thick industrial grade 40-50lb substrate, double-faced melamine
- All exposed edges are covered with 2mm PVC edge banding
- All panels are connected with hafele mini-fix cam hidden fastener system
- All cabinets are rail mounted for ease of install
- Work surfaces are constructed of 1 1/16" thick high-pressure laminate



MODULAR CASEWORK
ROOM SEGMENTS

Copyright 2017 Southwest Solutions Group. This material is proprietary and confidential and the disclosure, reproduction (by photocopy, film, blueprint or otherwise) or incorporation into any information retrieval system without first receiving written approval from Southwest Solutions Group is expressly prohibited by law.

Approved By

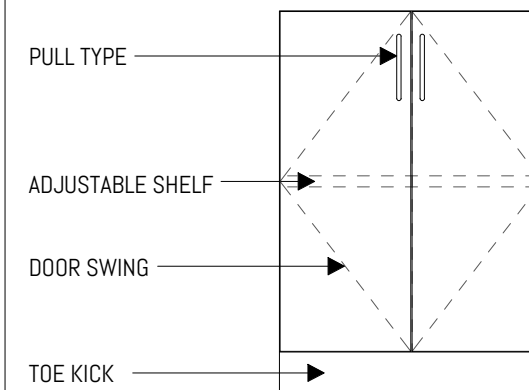
Date

Drawn by DHaynal

Salesperson SSG

Scale 1/2" = 1'-0"

LEGEND



RN DATE DESCRIPTION

SSG REVISION SCHEDULE

EXAM ROOM - LAM 7ft
- OPTION 3

SHEET NUMBER

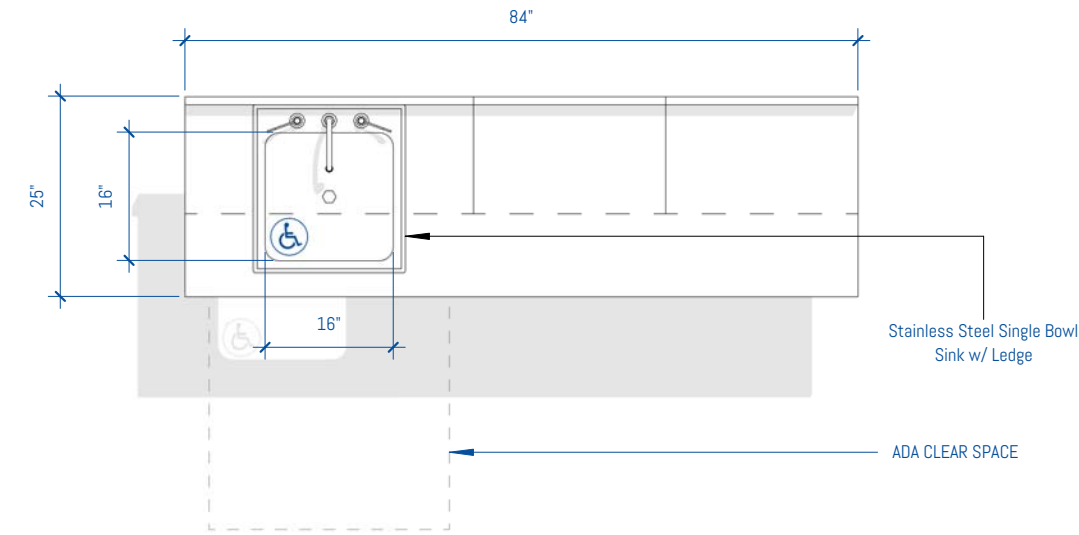
ER-7 of ER-30

FOR MORE INFORMATION

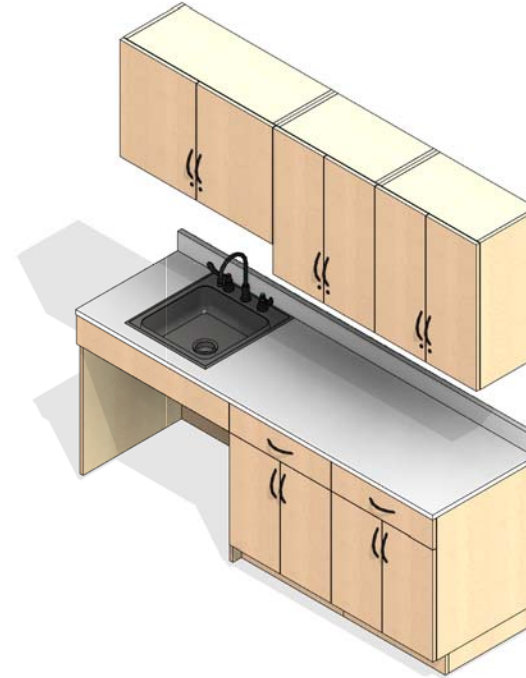
<https://bim.southwestsolutions.com>

Exam Room Cabinets - 7' Wide - Option 4

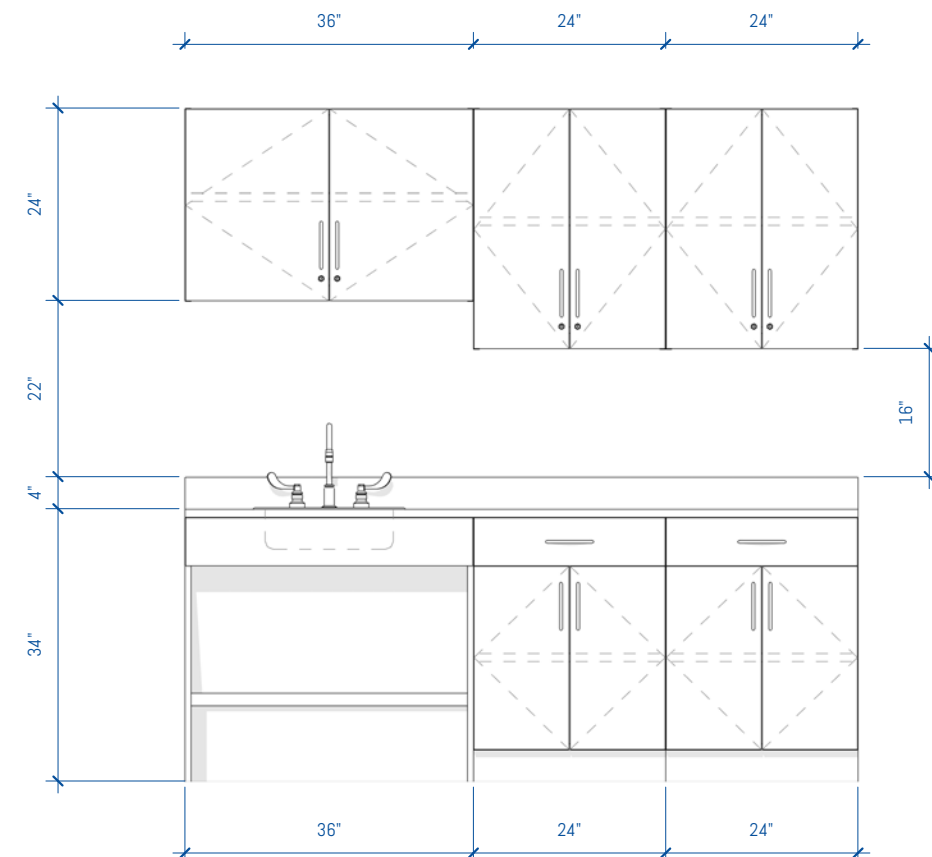
SMS-03-V90-SSG-EX07-4-L



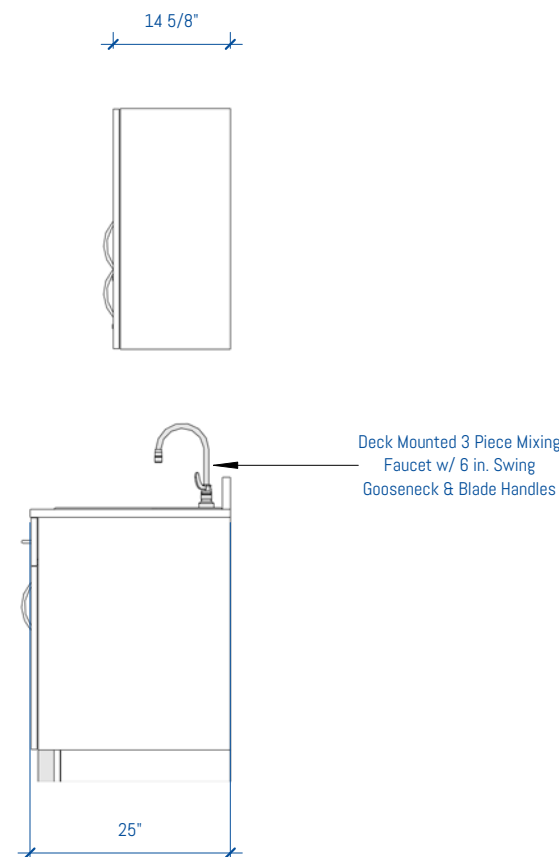
4 EXAM ROOM - LAM 7ft - OPTION 4
1/2" = 1'-0"



3 EXAM ROOM - LAM 7ft - OPTION 4



2 EXAM ROOM - LAM 7ft - OPTION 4 - FRONT
1/2" = 1'-0"



1 EXAM ROOM - LAM 7ft - OPTION 4 - SIDE
1/2" = 1'-0"

GENERAL NOTES

SUSTAINABILITY

- Particleboard and MDF fabricated from recycled wood waste material
- Cardboard packaging made from recycled materials
- Unusable pallets are recycled
- All aluminum scrap is recycled
- All adhesives used are water-based
- Products meet low VOC standards
- Powder coat paint is used on all metal surfaces
- Greenguard Gold Certified to provide safe, quality, environmentally friendly workspaces.
- FSC and OSHPD certified components are also available

CONSTRUCTION

- Cabinets are constructed of 3/4" thick industrial grade 40-50lb substrate, double-faced melamine
- All exposed edges are covered with 2mm PVC edge banding
- All panels are connected with hafele mini-fix cam hidden fastener system
- All cabinets are rail mounted for ease of install
- Work surfaces are constructed of 1 1/16" thick high-pressure laminate



MODULAR CASEWORK
ROOM SEGMENTS

Copyright 2017 Southwest Solutions Group. This material is proprietary and confidential and the disclosure, reproduction (by photocopy, film, blueprint or otherwise) or incorporation into any information retrieval system without first receiving written approval from Southwest Solutions Group is expressly prohibited by law.

Approved By

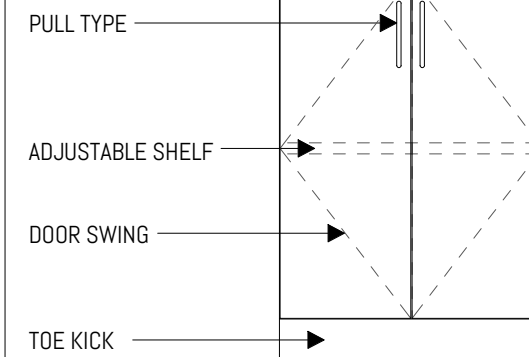
Date

Drawn by DHaynal

Salesperson SSG

Scale 1/2" = 1'-0"

LEGEND



RN DATE DESCRIPTION

SSG REVISION SCHEDULE

EXAM ROOM - LAM 7ft
- OPTION 4

SHEET NUMBER

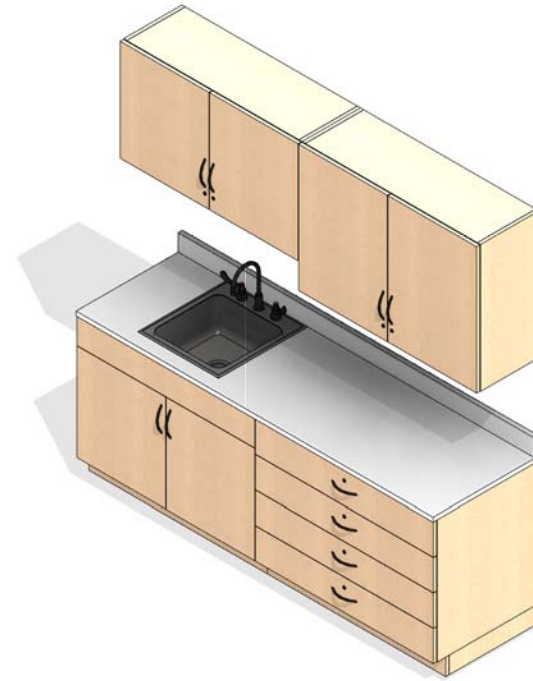
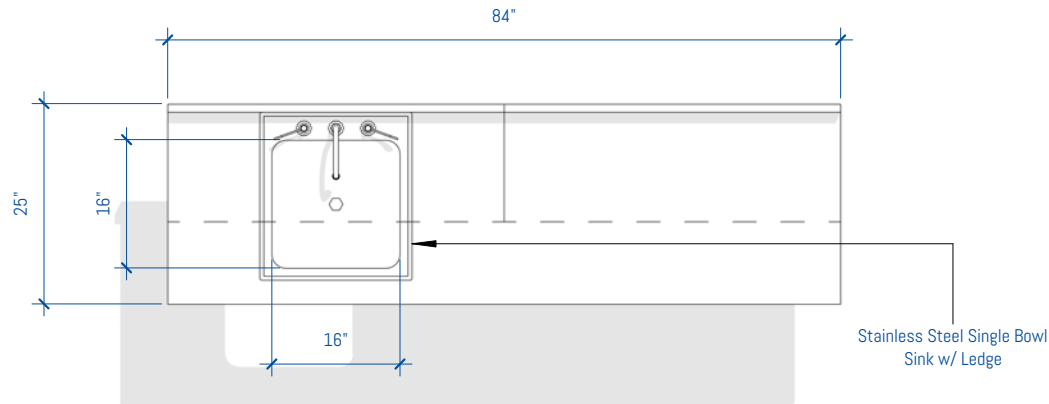
ER-8 of ER-30

FOR MORE INFORMATION

<https://bim.southwestsolutions.com>

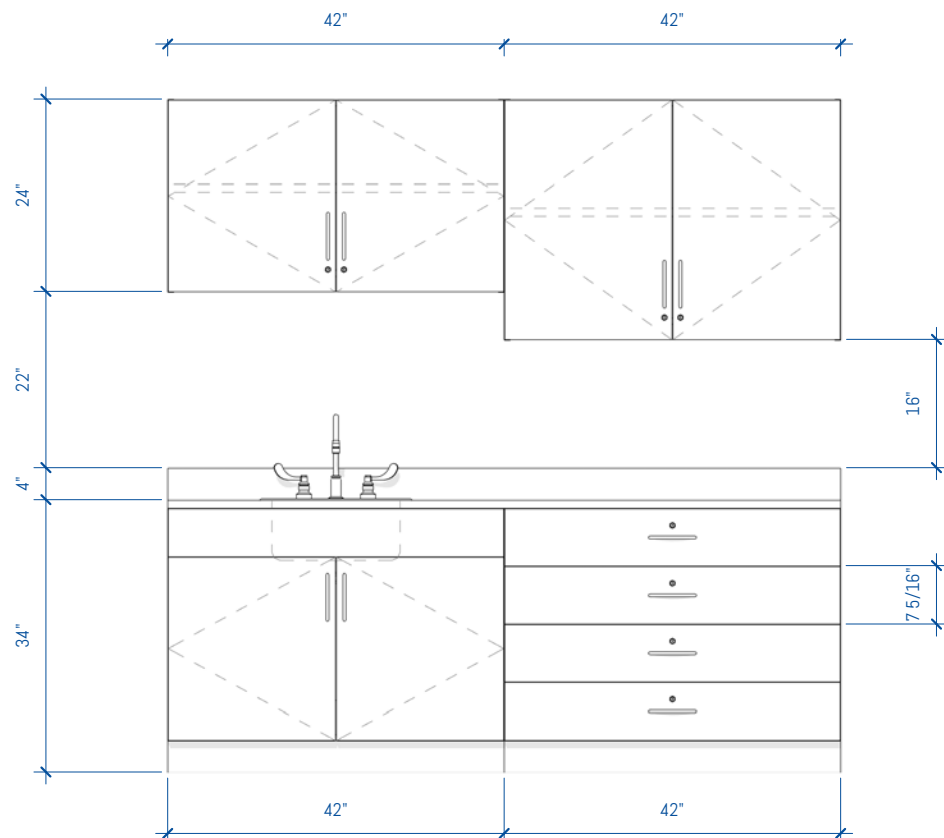
Exam Room Cabinets - 7' Wide - Option 5

SMS-03-V90-SSG-EX07-5-L

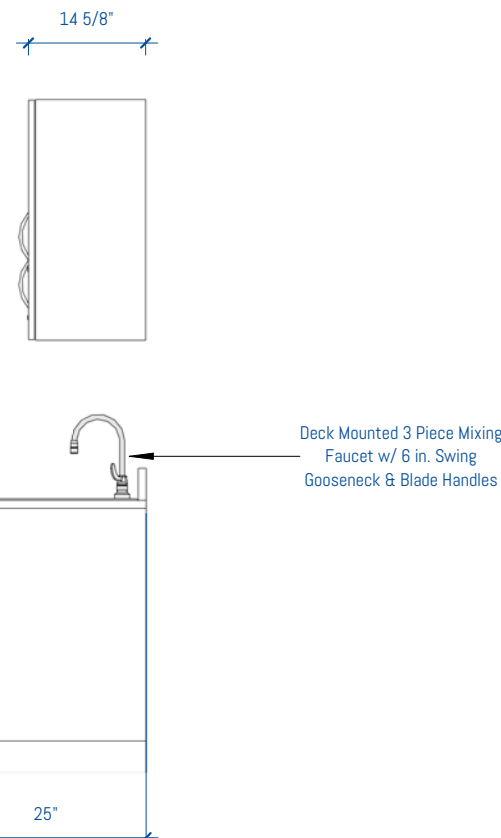


4 EXAM ROOM - LAM 7ft - OPTION 5
1/2" = 1'-0"

3 EXAM ROOM - LAM 7ft - OPTION 5



2 EXAM ROOM - LAM 7ft - OPTION 5 - FRONT
1/2" = 1'-0"



1 EXAM ROOM - LAM 7ft - OPTION 5 - SIDE
1/2" = 1'-0"

GENERAL NOTES

SUSTAINABILITY

- Particleboard and MDF fabricated from recycled wood waste material
- Cardboard packaging made from recycled materials
- Unusable pallets are recycled
- All aluminum scrap is recycled
- All adhesives used are water-based
- Products meet low VOC standards
- Powder coat paint is used on all metal surfaces
- Greenguard Gold Certified to provide safe, quality, environmentally friendly workspaces.
- FSC and OSHPD certified components are also available

CONSTRUCTION

- Cabinets are constructed of 3/4" thick industrial grade 40-50lb substrate, double-faced melamine
- All exposed edges are covered with 2mm PVC edge banding
- All panels are connected with hafele mini-fix cam hidden fastener system
- All cabinets are rail mounted for ease of install
- Work surfaces are constructed of 1 1/16" thick high-pressure laminate



MODULAR CASEWORK
ROOM SEGMENTS

Copyright 2017 Southwest Solutions Group. This material is proprietary and confidential and the disclosure, reproduction (by photocopy, film, blueprint or otherwise) or incorporation into any information retrieval system without first receiving written approval from Southwest Solutions Group is expressly prohibited by law.

Approved By

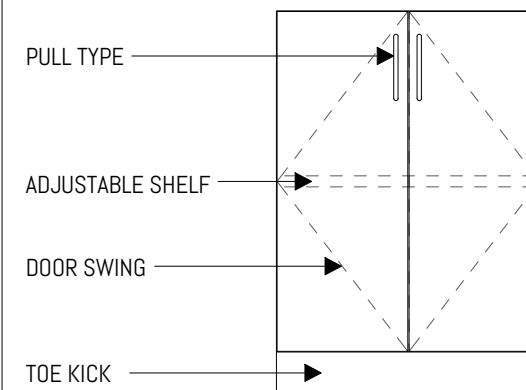
Date

Drawn by DHaynal

Salesperson SSG

Scale 1/2" = 1'-0"

LEGEND



RN DATE DESCRIPTION

SSG REVISION SCHEDULE

EXAM ROOM - LAM 7ft
- OPTION 5

SHEET NUMBER

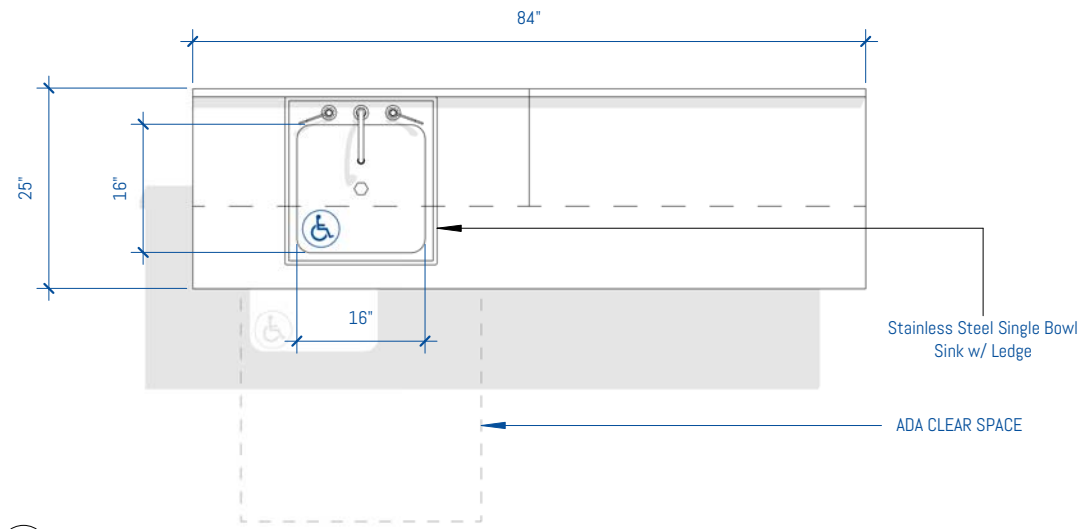
ER-9 of ER-30

FOR MORE INFORMATION

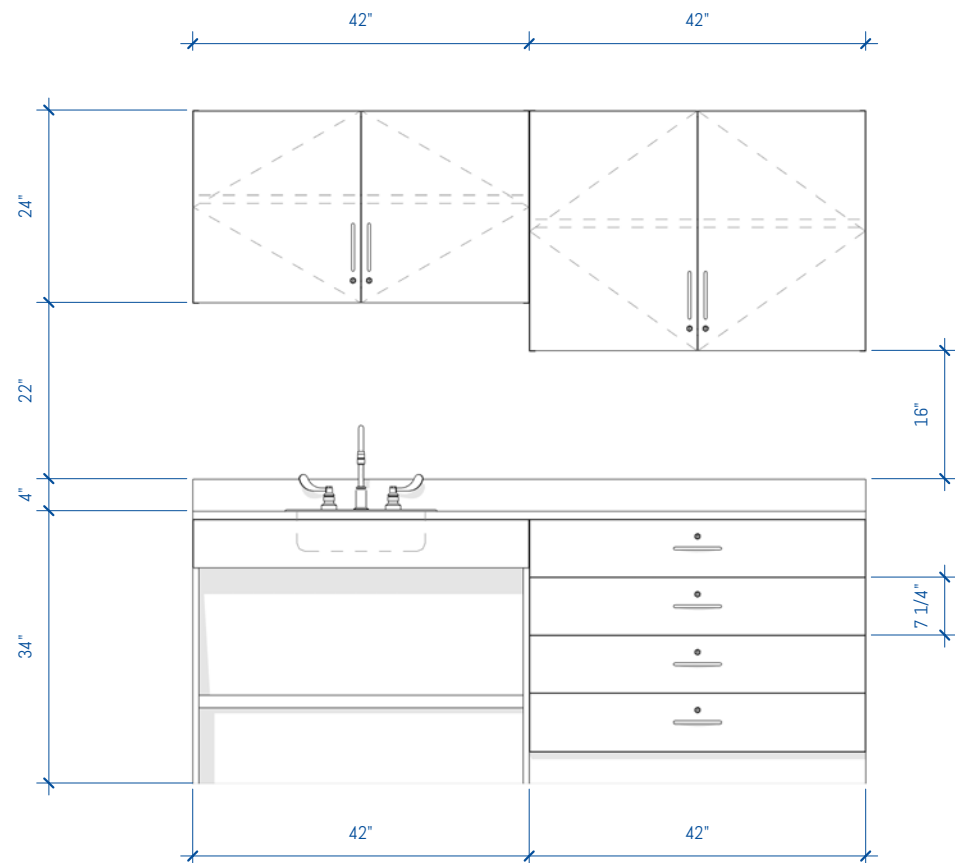
<https://bim.southwestsolutions.com>

Exam Room Cabinets - 7' Wide - Option 6

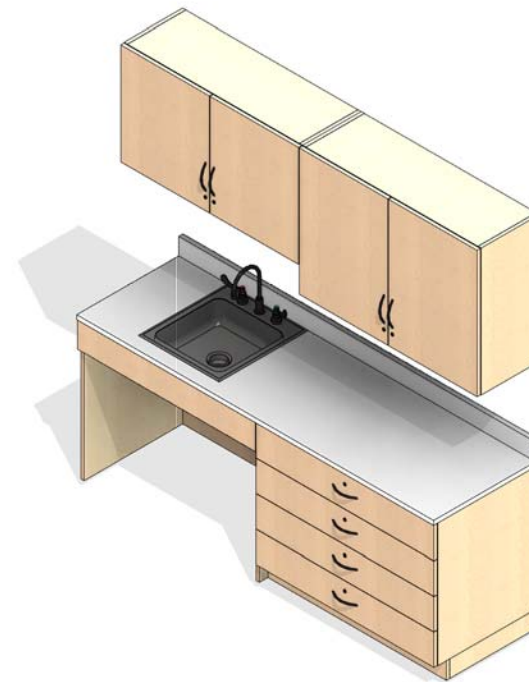
SMS-03-V90-SSG-EX07-6-L



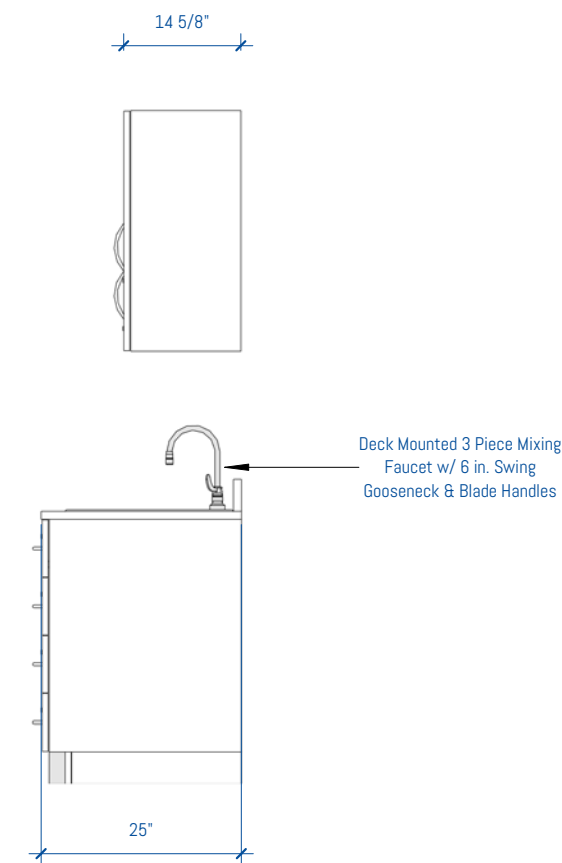
4 EXAM ROOM - LAM 7ft - OPTION 6
1/2" = 1'-0"



2 EXAM ROOM - LAM 7ft - OPTION 6 - FRONT
1/2" = 1'-0"



3 EXAM ROOM - LAM 7ft - OPTION 6



1 EXAM ROOM - LAM 7ft - OPTION 6 - SIDE
1/2" = 1'-0"

GENERAL NOTES

SUSTAINABILITY

- Particleboard and MDF fabricated from recycled wood waste material
- Cardboard packaging made from recycled materials
- Unusable pallets are recycled
- All aluminum scrap is recycled
- All adhesives used are water-based
- Products meet low VOC standards
- Powder coat paint is used on all metal surfaces
- Greenguard Gold Certified to provide safe, quality, environmentally friendly workspaces.
- FSC and OSHPD certified components are also available

CONSTRUCTION

- Cabinets are constructed of 3/4" thick industrial grade 40-50lb substrate, double-faced melamine
- All exposed edges are covered with 2mm PVC edge banding
- All panels are connected with hafele mini-fix cam hidden fastener system
- All cabinets are rail mounted for ease of install
- Work surfaces are constructed of 1 1/16" thick high-pressure laminate



MODULAR CASEWORK
ROOM SEGMENTS

Copyright 2017 Southwest Solutions Group. This material is proprietary and confidential and the disclosure, reproduction (by photocopy, film, blueprint or otherwise) or incorporation into any information retrieval system without first receiving written approval from Southwest Solutions Group is expressly prohibited by law.

Approved By

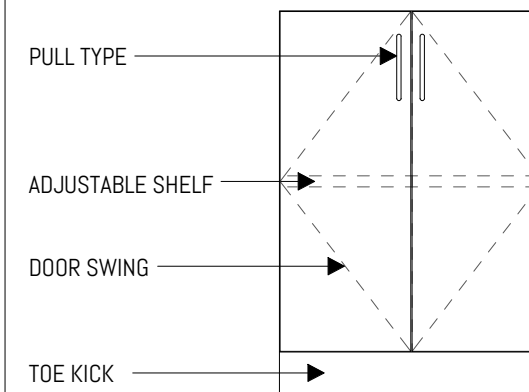
Date

Drawn by DHaynal

Salesperson SSG

Scale 1/2" = 1'-0"

LEGEND



RN DATE DESCRIPTION

SSG REVISION SCHEDULE

EXAM ROOM - LAM 7ft
- OPTION 6

SHEET NUMBER

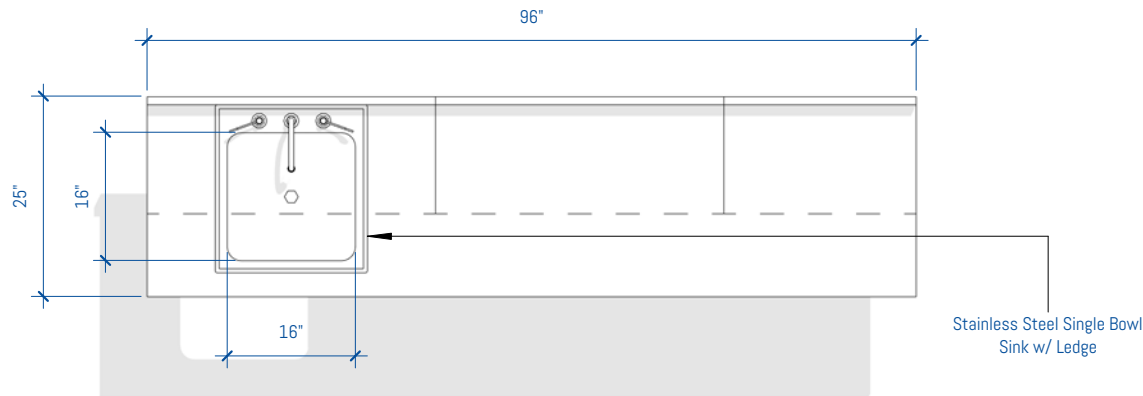
ER-10 of ER-30

FOR MORE INFORMATION

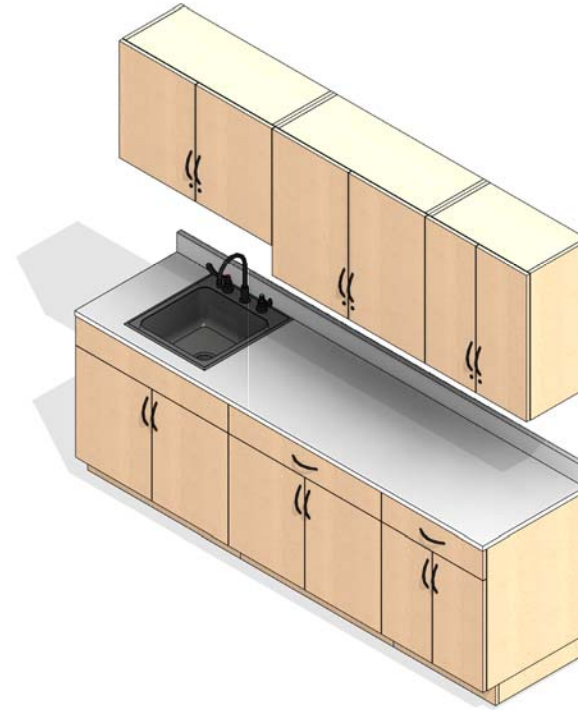
<https://bim.southwestsolutions.com>

Exam Room Cabinets - 8' Wide - Option 1

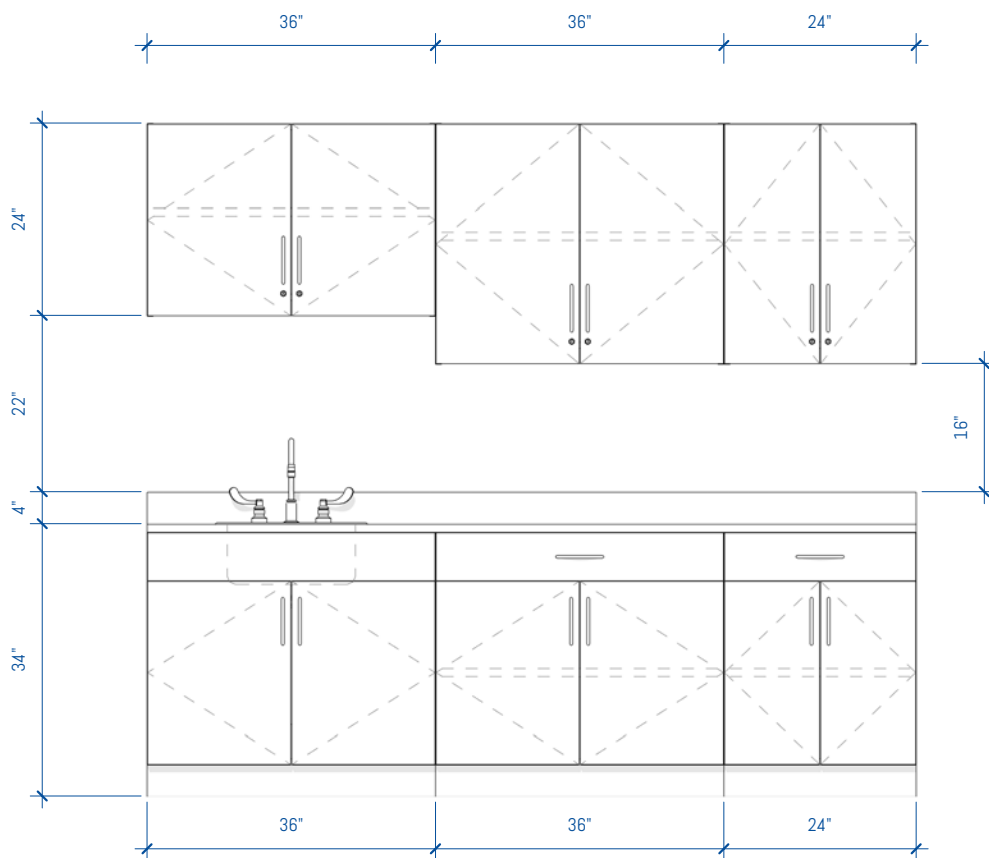
SMS-03-V90-SSG-EX08-1-L



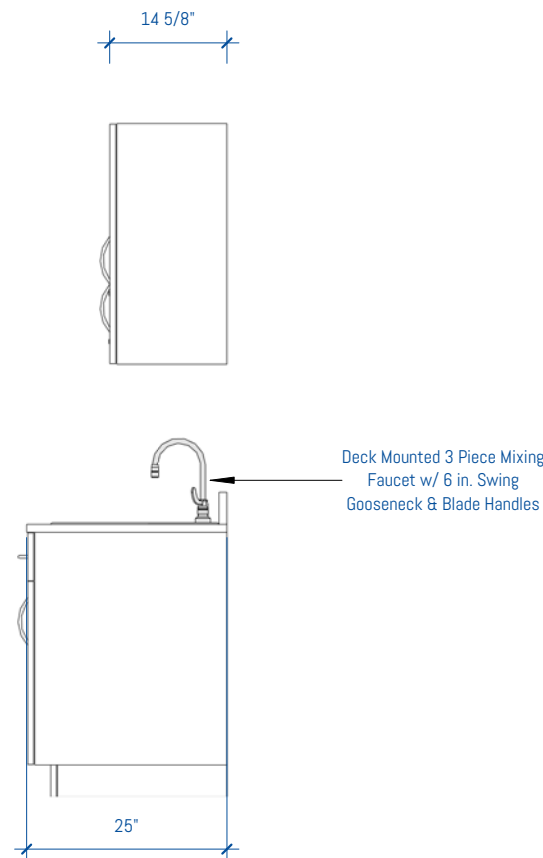
4 EXAM ROOM - LAM 8ft - OPTION 1
1/2" = 1'-0"



3 EXAM ROOM - LAM 8ft - OPTION 1



2 EXAM ROOM - LAM 8ft - OPTION 1 - FRONT
1/2" = 1'-0"



1 EXAM ROOM - LAM 8ft - OPTION 1 - SIDE
1/2" = 1'-0"

GENERAL NOTES

SUSTAINABILITY

- Particleboard and MDF fabricated from recycled wood waste material
- Cardboard packaging made from recycled materials
- Unusable pallets are recycled
- All aluminum scrap is recycled
- All adhesives used are water-based
- Products meet low VOC standards
- Powder coat paint is used on all metal surfaces
- Greenguard Gold Certified to provide safe, quality, environmentally friendly workspaces.
- FSC and OSHPD certified components are also available

CONSTRUCTION

- Cabinets are constructed of 3/4" thick industrial grade 40-50lb substrate, double-faced melamine
- All exposed edges are covered with 2mm PVC edge banding
- All panels are connected with hafele mini-fix cam hidden fastener system
- All cabinets are rail mounted for ease of install
- Work surfaces are constructed of 1 1/16" thick high-pressure laminate



MODULAR CASEWORK
ROOM SEGMENTS

Copyright 2017 Southwest Solutions Group. This material is proprietary and confidential and the disclosure, reproduction (by photocopy, film, blueprint or otherwise) or incorporation into any information retrieval system without first receiving written approval from Southwest Solutions Group is expressly prohibited by law.

Approved By

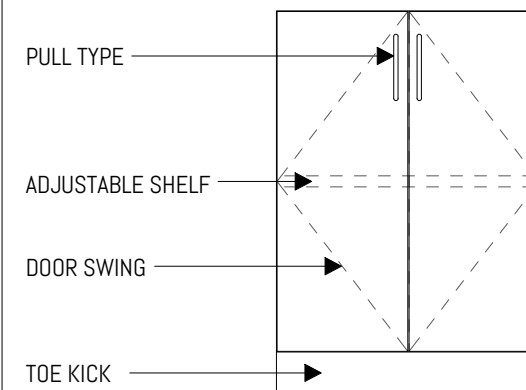
Date

Drawn by DHaynal

Salesperson SSG

Scale 1/2" = 1'-0"

LEGEND



RN DATE DESCRIPTION

SSG REVISION SCHEDULE

EXAM ROOM - LAM 8ft
- OPTION 1

SHEET NUMBER

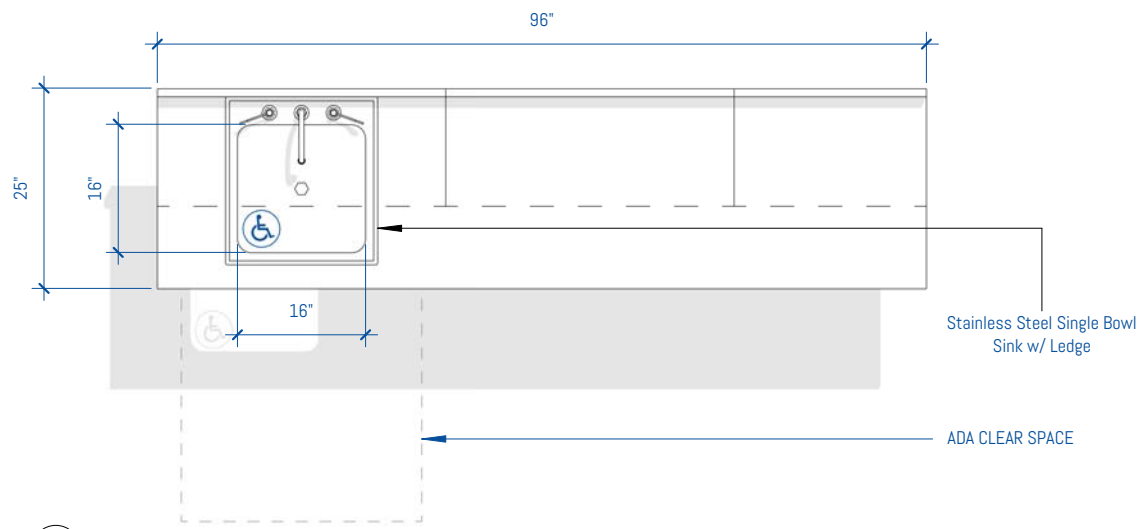
ER-11 of ER-30

FOR MORE INFORMATION

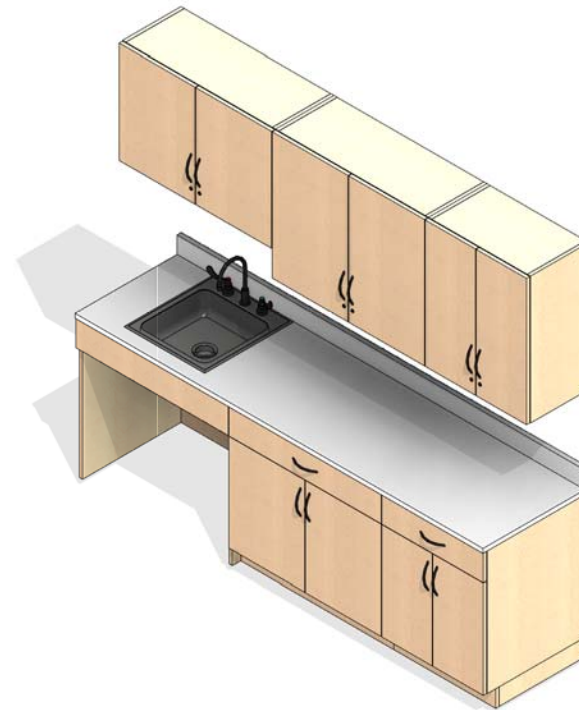
<https://bim.southwestsolutions.com>

Exam Room Cabinets - 8' Wide - Option 2

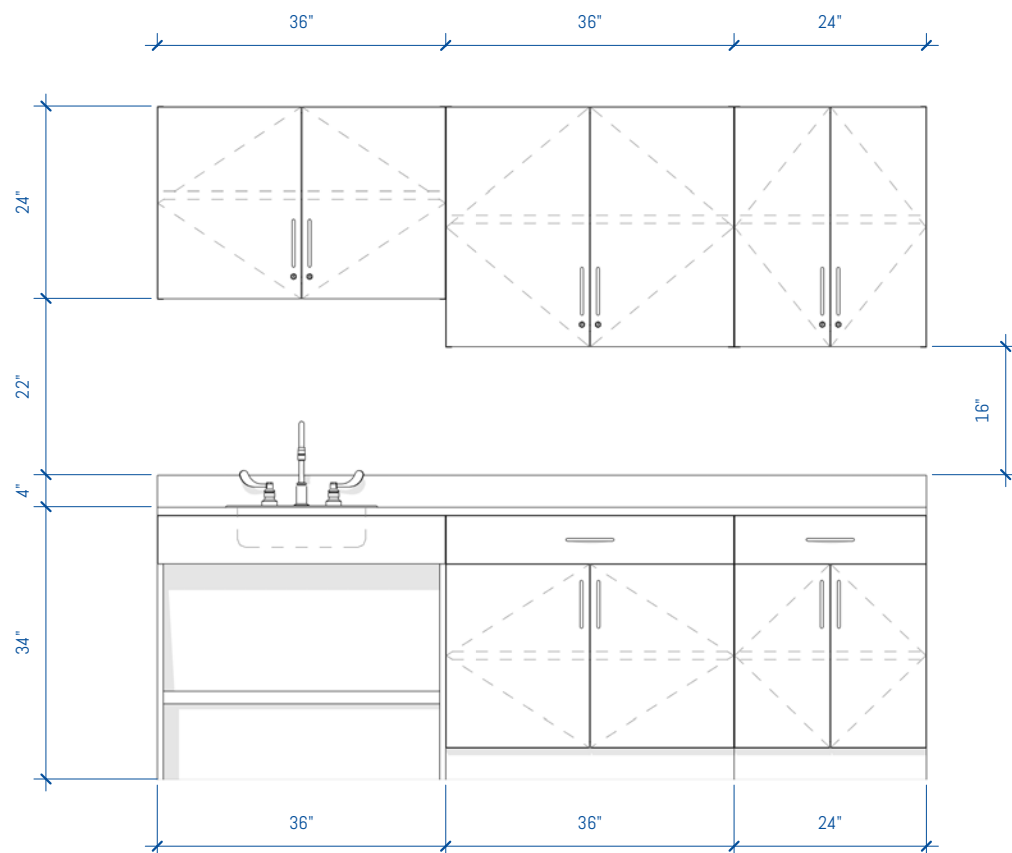
SMS-03-V90-SSG-EX08-2-L



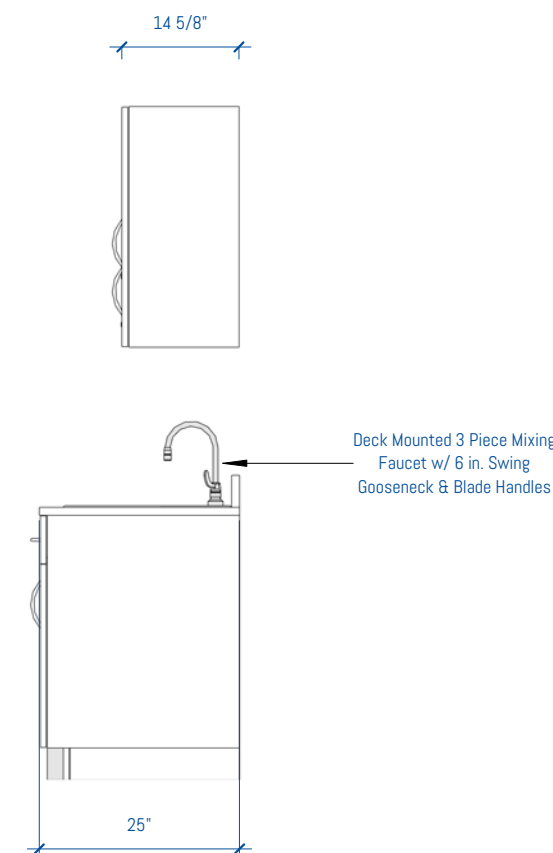
4 EXAM ROOM - LAM 8ft - OPTION 2
1/2" = 1'-0"



3 EXAM ROOM - LAM 8ft - OPTION 2



2 EXAM ROOM - LAM 8ft - OPTION 2 - FRONT
1/2" = 1'-0"



1 EXAM ROOM - LAM 8ft - OPTION 2 - SIDE
1/2" = 1'-0"

GENERAL NOTES

SUSTAINABILITY

- Particleboard and MDF fabricated from recycled wood waste material
- Cardboard packaging made from recycled materials
- Unusable pallets are recycled
- All aluminum scrap is recycled
- All adhesives used are water-based
- Products meet low VOC standards
- Powder coat paint is used on all metal surfaces
- Greenguard Gold Certified to provide safe, quality, environmentally friendly workspaces.
- FSC and OSHPD certified components are also available

CONSTRUCTION

- Cabinets are constructed of 3/4" thick industrial grade 40-50lb substrate, double-faced melamine
- All exposed edges are covered with 2mm PVC edge banding
- All panels are connected with hafele mini-fix cam hidden fastener system
- All cabinets are rail mounted for ease of install
- Work surfaces are constructed of 1 1/16" thick high-pressure laminate



MODULAR CASEWORK
ROOM SEGMENTS

Copyright 2017 Southwest Solutions Group. This material is proprietary and confidential and the disclosure, reproduction (by photocopy, film, blueprint or otherwise) or incorporation into any information retrieval system without first receiving written approval from Southwest Solutions Group is expressly prohibited by law.

Approved By

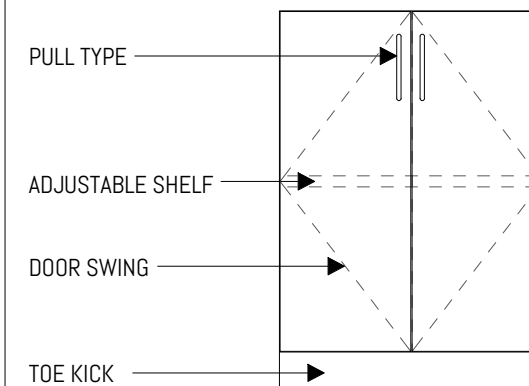
Date

Drawn by DHaynal

Salesperson SSG

Scale 1/2" = 1'-0"

LEGEND



RN DATE DESCRIPTION

SSG REVISION SCHEDULE

EXAM ROOM - LAM 8ft
- OPTION 2

SHEET NUMBER

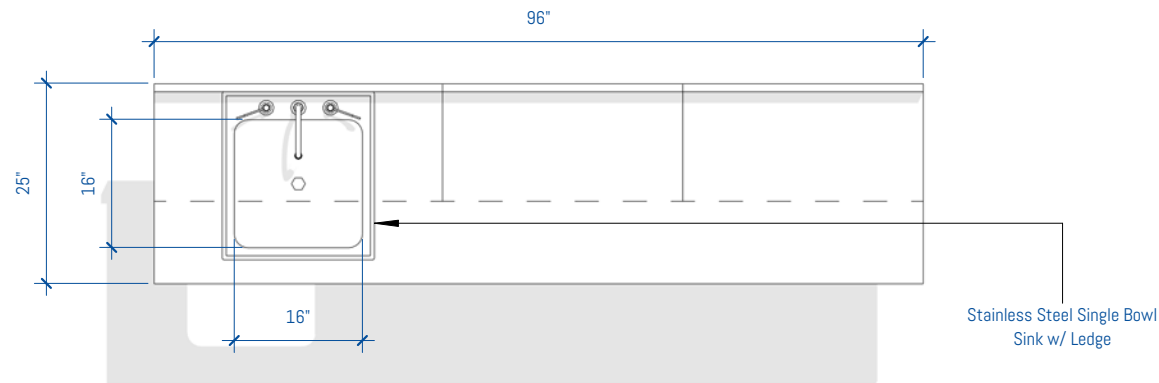
ER-12 of ER-30

FOR MORE INFORMATION

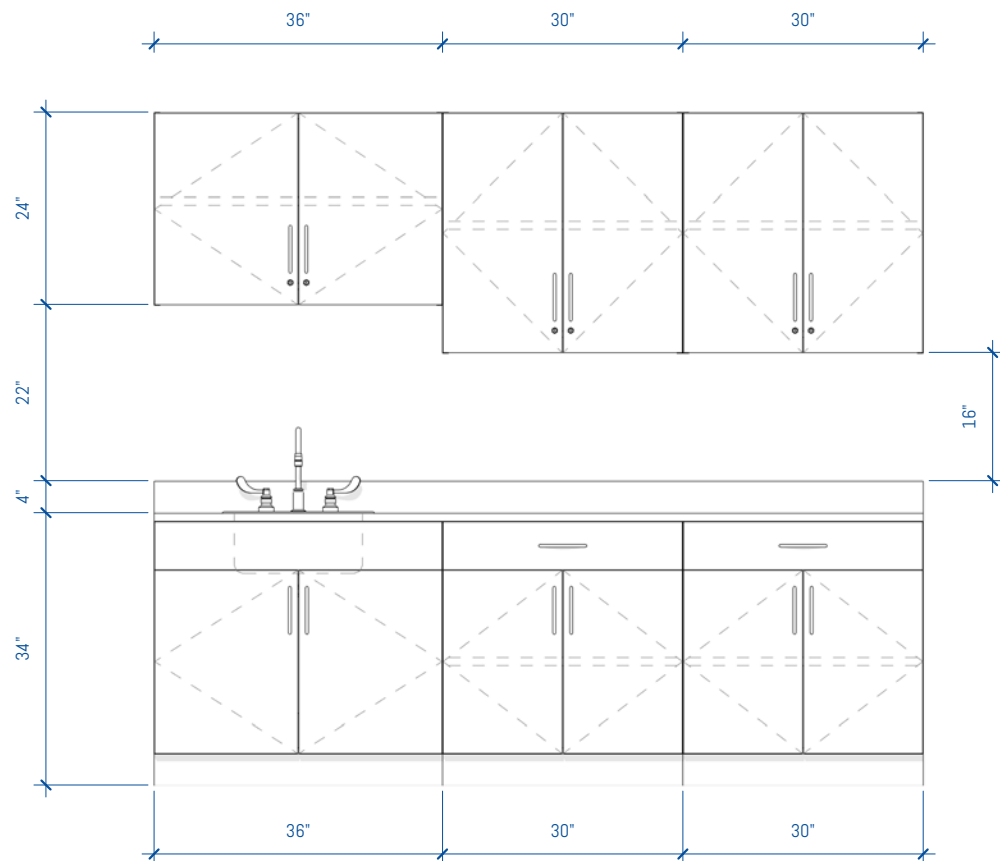
<https://bim.southwestsolutions.com>

Exam Room Cabinets - 8' Wide - Option 3

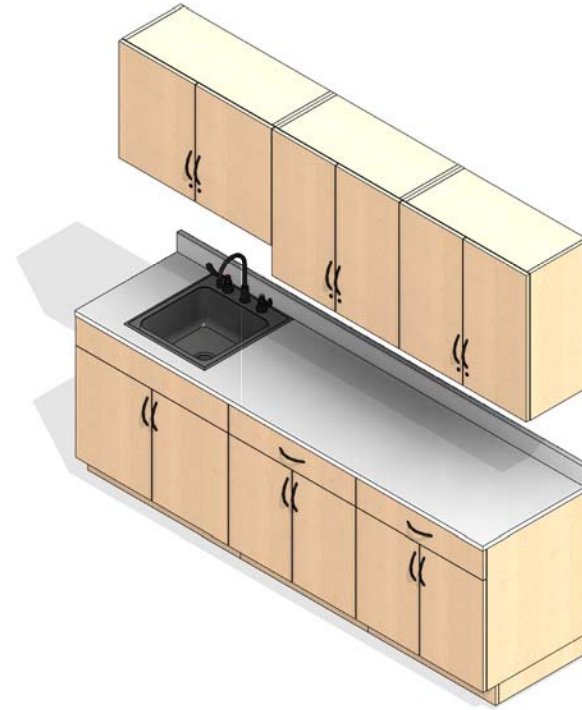
SMS-03-V90-SSG-EX08-3-L



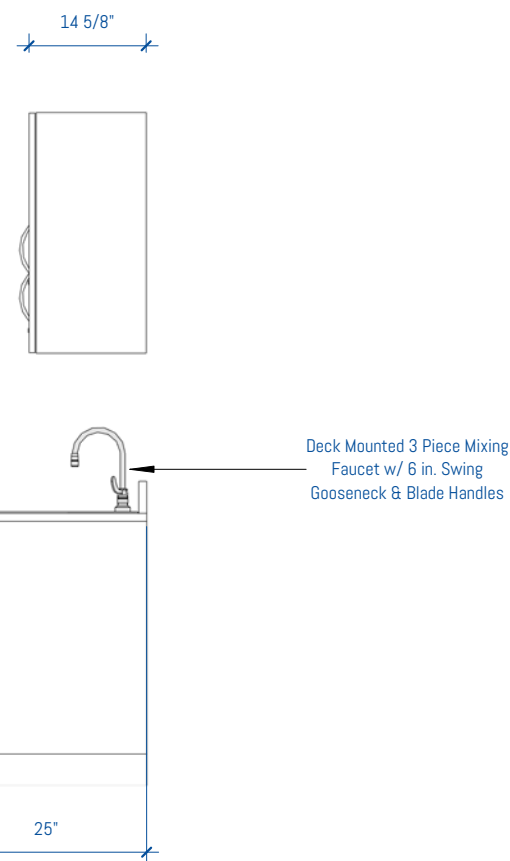
4 EXAM ROOM - LAM 8ft - OPTION 3
1/2" = 1'-0"



2 EXAM ROOM - LAM 8ft - OPTION 3 - FRONT
1/2" = 1'-0"



3 EXAM ROOM - LAM 8ft - OPTION 3



1 EXAM ROOM - LAM 8ft - OPTION 3 - SIDE
1/2" = 1'-0"

GENERAL NOTES

SUSTAINABILITY

- Particleboard and MDF fabricated from recycled wood waste material
- Cardboard packaging made from recycled materials
- Unusable pallets are recycled
- All aluminum scrap is recycled
- All adhesives used are water-based
- Products meet low VOC standards
- Powder coat paint is used on all metal surfaces
- Greenguard Gold Certified to provide safe, quality, environmentally friendly workspaces.
- FSC and OSHPD certified components are also available

CONSTRUCTION

- Cabinets are constructed of 3/4" thick industrial grade 40-50lb substrate, double-faced melamine
- All exposed edges are covered with 2mm PVC edge banding
- All panels are connected with hafele mini-fix cam hidden fastener system
- All cabinets are rail mounted for ease of install
- Work surfaces are constructed of 1 1/16" thick high-pressure laminate



MODULAR CASEWORK
ROOM SEGMENTS

Copyright 2017 Southwest Solutions Group. This material is proprietary and confidential and the disclosure, reproduction (by photocopy, film, blueprint or otherwise) or incorporation into any information retrieval system without first receiving written approval from Southwest Solutions Group is expressly prohibited by law.

Approved By

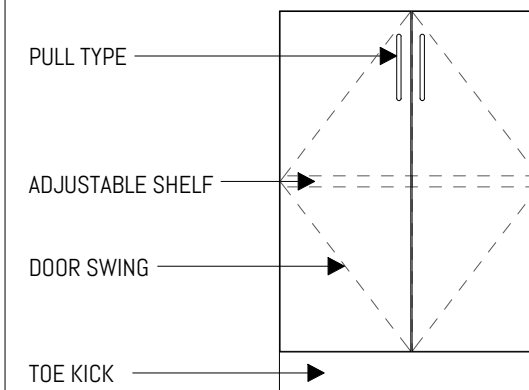
Date

Drawn by DHaynal

Salesperson SSG

Scale 1/2" = 1'-0"

LEGEND



RN	DATE	DESCRIPTION
SSG REVISION SCHEDULE		

EXAM ROOM - LAM 8ft
- OPTION 3

SHEET NUMBER

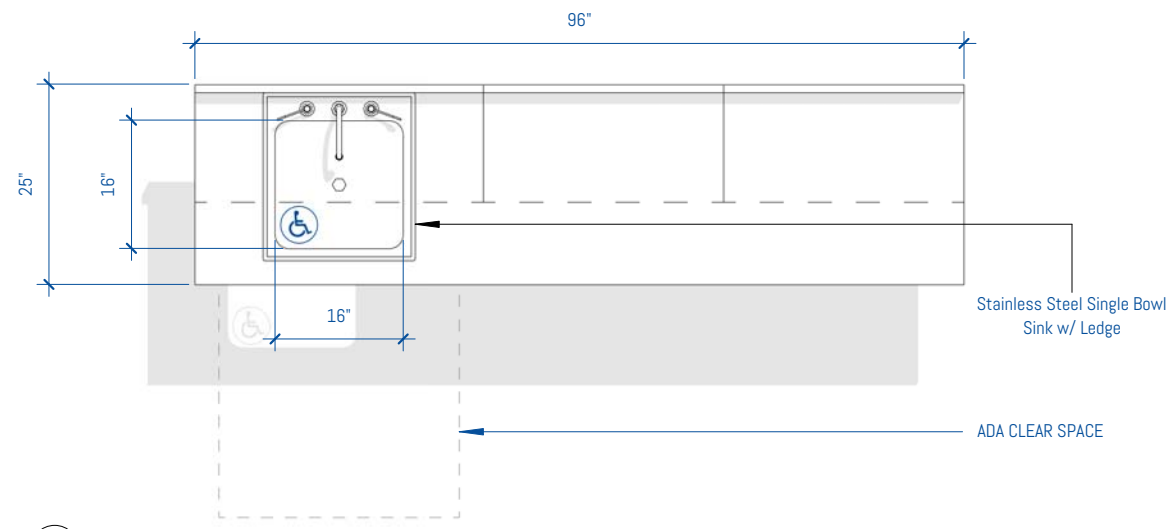
ER-13 of ER-30

FOR MORE INFORMATION

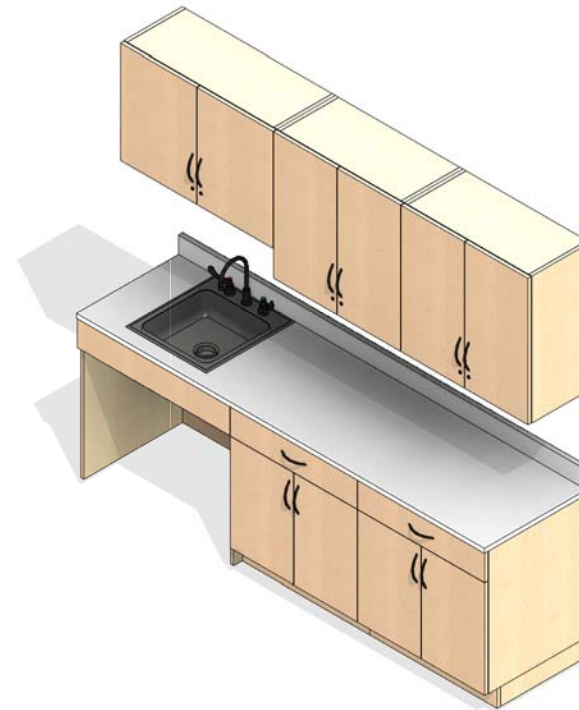
<https://bim.southwestsolutions.com>

Exam Room Cabinets - 8' Wide - Option 4

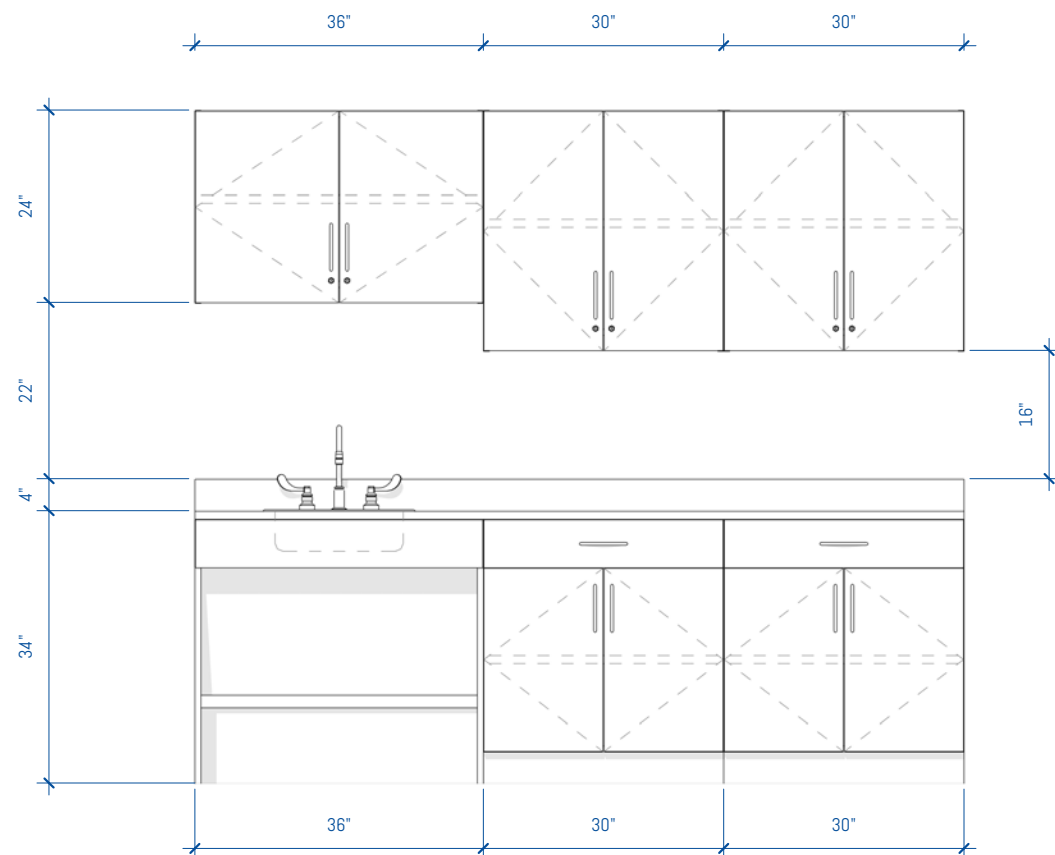
SMS-03-V90-SSG-EX08-4-L



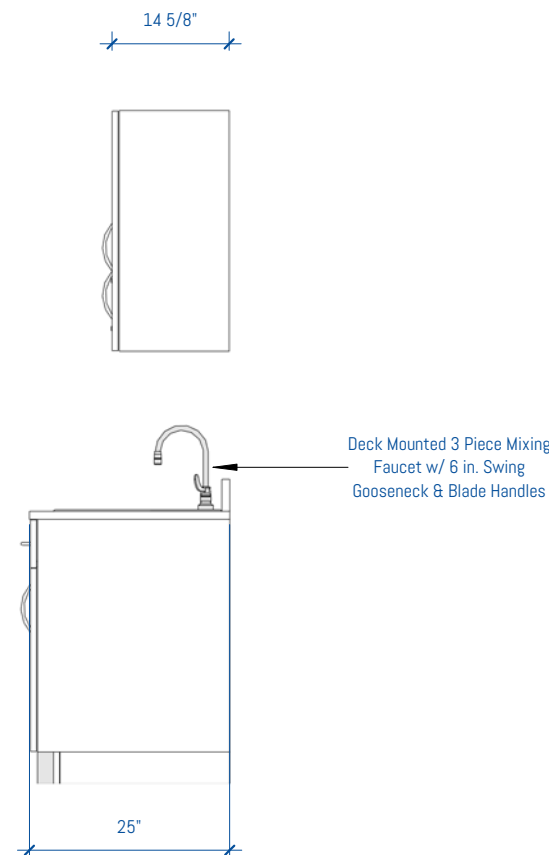
4 EXAM ROOM - LAM 8ft - OPTION 4
1/2" = 1'-0"



3 EXAM ROOM - LAM 8ft - OPTION 4



2 EXAM ROOM - LAM 8ft - OPTION 4 - FRONT
1/2" = 1'-0"



1 EXAM ROOM - LAM 8ft - OPTION 4 - SIDE
1/2" = 1'-0"

GENERAL NOTES

SUSTAINABILITY

- Particleboard and MDF fabricated from recycled wood waste material
- Cardboard packaging made from recycled materials
- Unusable pallets are recycled
- All aluminum scrap is recycled
- All adhesives used are water-based
- Products meet low VOC standards
- Powder coat paint is used on all metal surfaces
- Greenguard Gold Certified to provide safe, quality, environmentally friendly workspaces.
- FSC and OSHPD certified components are also available

CONSTRUCTION

- Cabinets are constructed of 3/4" thick industrial grade 40-50lb substrate, double-faced melamine
- All exposed edges are covered with 2mm PVC edge banding
- All panels are connected with hafele mini-fix cam hidden fastener system
- All cabinets are rail mounted for ease of install
- Work surfaces are constructed of 1 1/16" thick high-pressure laminate



MODULAR CASEWORK
ROOM SEGMENTS

Copyright 2017 Southwest Solutions Group. This material is proprietary and confidential and the disclosure, reproduction (by photocopy, film, blueprint or otherwise) or incorporation into any information retrieval system without first receiving written approval from Southwest Solutions Group is expressly prohibited by law.

Approved By

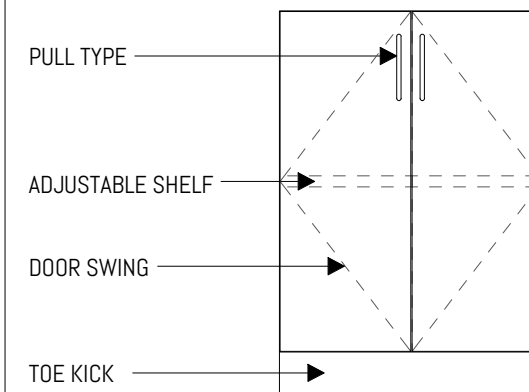
Date

Drawn by DHaynal

Salesperson SSG

Scale 1/2" = 1'-0"

LEGEND



RN	DATE	DESCRIPTION
SSG REVISION SCHEDULE		

EXAM ROOM - LAM 8ft
- OPTION 4

SHEET NUMBER

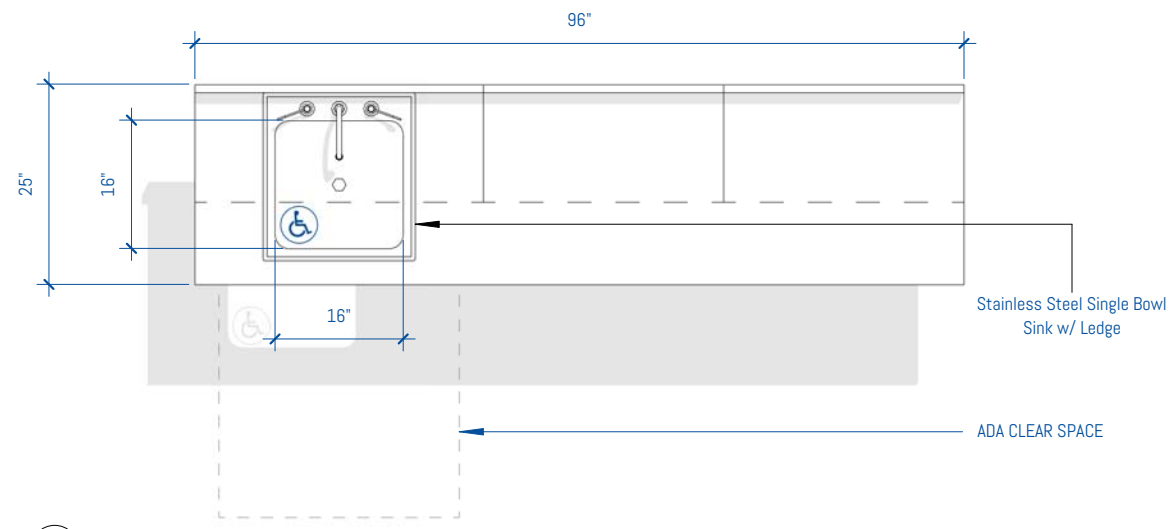
ER-14 of ER-30

FOR MORE INFORMATION

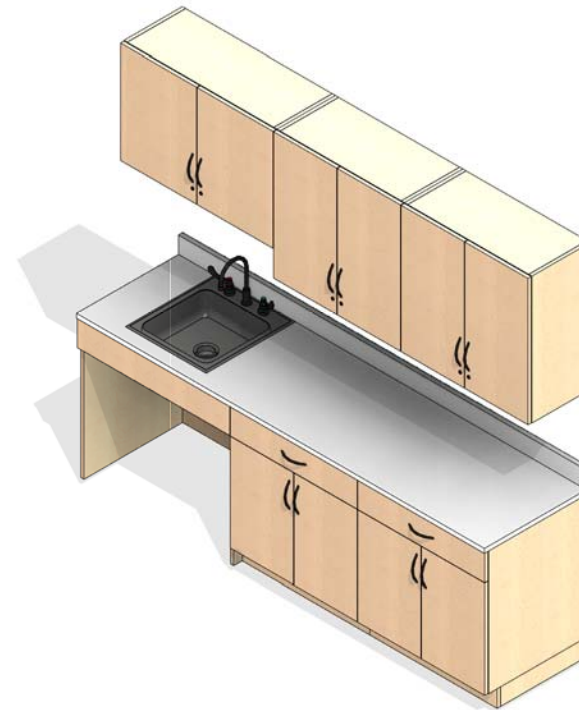
<https://bim.southwestsolutions.com>

Exam Room Cabinets - 8' Wide - Option 4

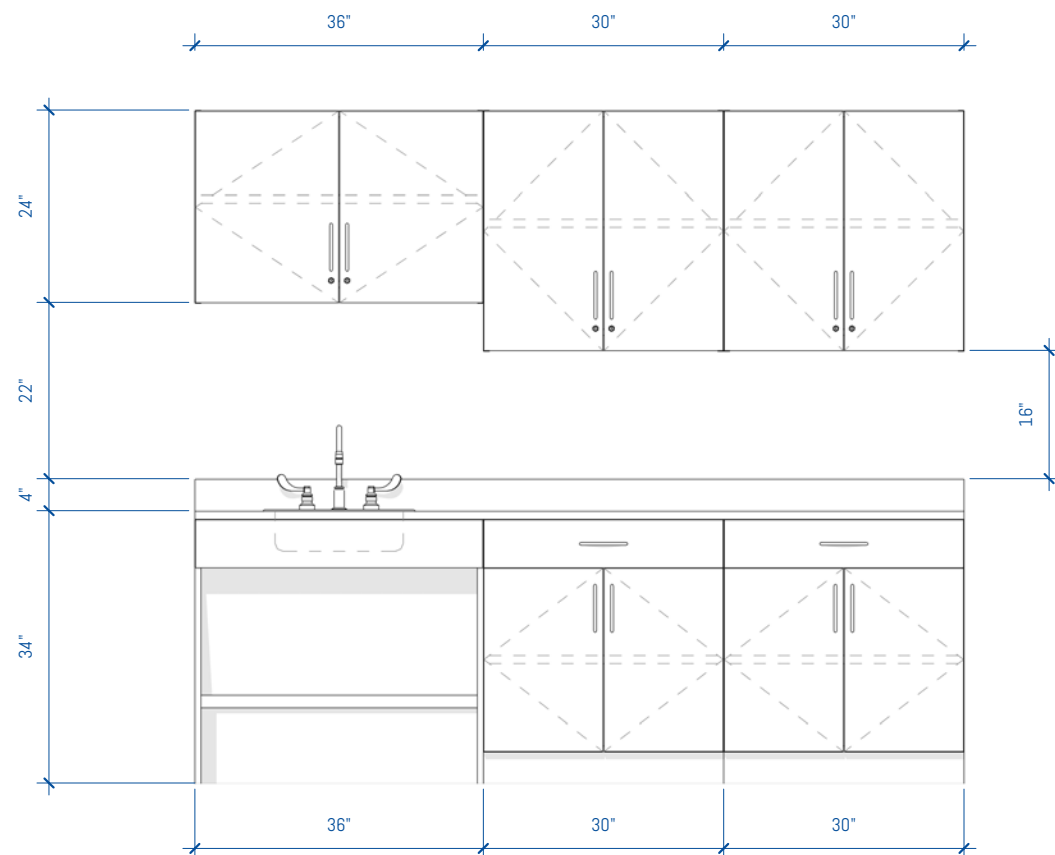
SMS-03-V90-SSG-EX08-4-L



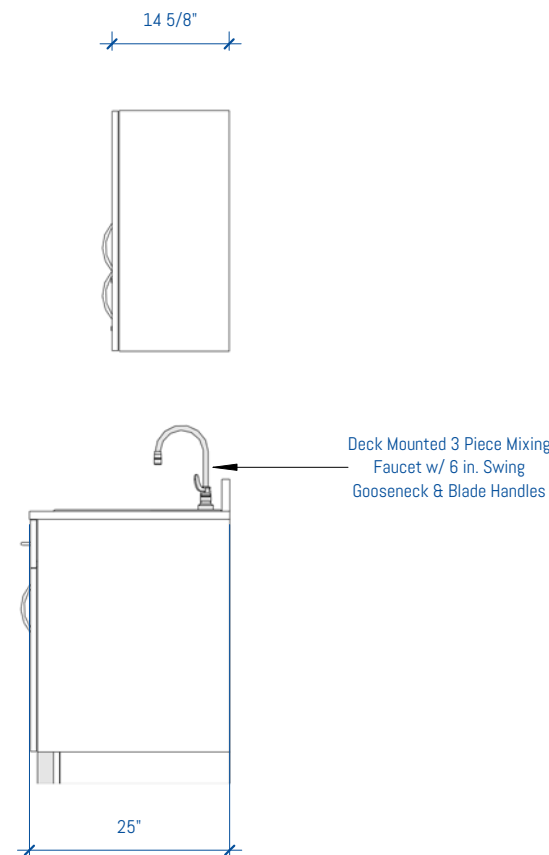
4 EXAM ROOM - LAM 8ft - OPTION 4
1/2" = 1'-0"



3 EXAM ROOM - LAM 8ft - OPTION 4



2 EXAM ROOM - LAM 8ft - OPTION 4 - FRONT
1/2" = 1'-0"



1 EXAM ROOM - LAM 8ft - OPTION 4 - SIDE
1/2" = 1'-0"

GENERAL NOTES

SUSTAINABILITY

- Particleboard and MDF fabricated from recycled wood waste material
- Cardboard packaging made from recycled materials
- Unusable pallets are recycled
- All aluminum scrap is recycled
- All adhesives used are water-based
- Products meet low VOC standards
- Powder coat paint is used on all metal surfaces
- Greenguard Gold Certified to provide safe, quality, environmentally friendly workspaces.
- FSC and OSHPD certified components are also available

CONSTRUCTION

- Cabinets are constructed of 3/4" thick industrial grade 40-50lb substrate, double-faced melamine
- All exposed edges are covered with 2mm PVC edge banding
- All panels are connected with hafele mini-fix cam hidden fastener system
- All cabinets are rail mounted for ease of install
- Work surfaces are constructed of 1 1/16" thick high-pressure laminate



MODULAR CASEWORK
ROOM SEGMENTS

Copyright 2017 Southwest Solutions Group. This material is proprietary and confidential and the disclosure, reproduction (by photocopy, film, blueprint or otherwise) or incorporation into any information retrieval system without first receiving written approval from Southwest Solutions Group is expressly prohibited by law.

Approved By

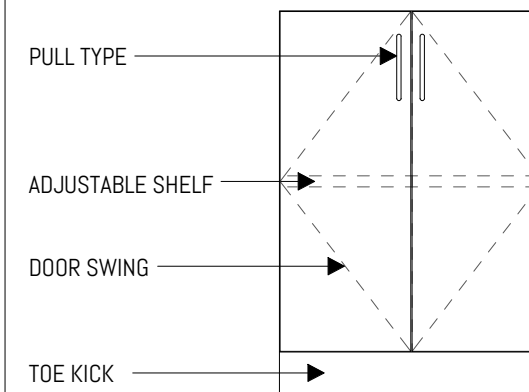
Date

Drawn by DHaynal

Salesperson SSG

Scale 1/2" = 1'-0"

LEGEND



RN	DATE	DESCRIPTION
SSG REVISION SCHEDULE		

EXAM ROOM - LAM 8ft
- OPTION 4

SHEET NUMBER

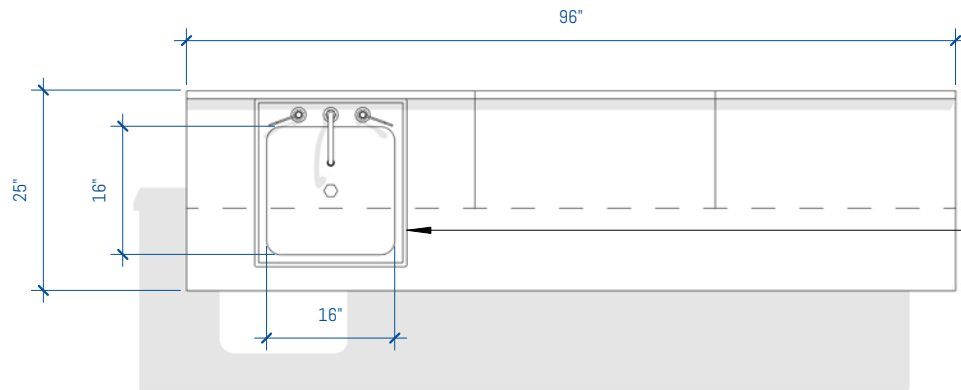
ER-14 of ER-30

FOR MORE INFORMATION

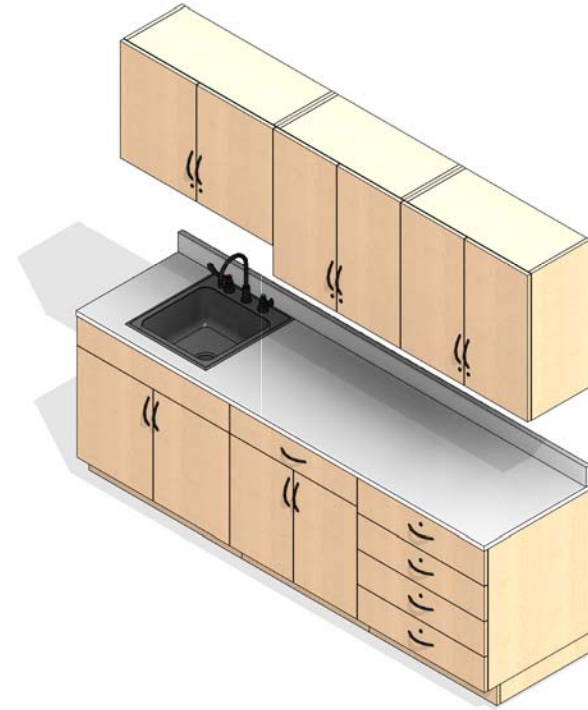
<https://bim.southwestsolutions.com>

Exam Room Cabinets - 8' Wide - Option 5

SMS-03-V90-SSG-EX08-5-L

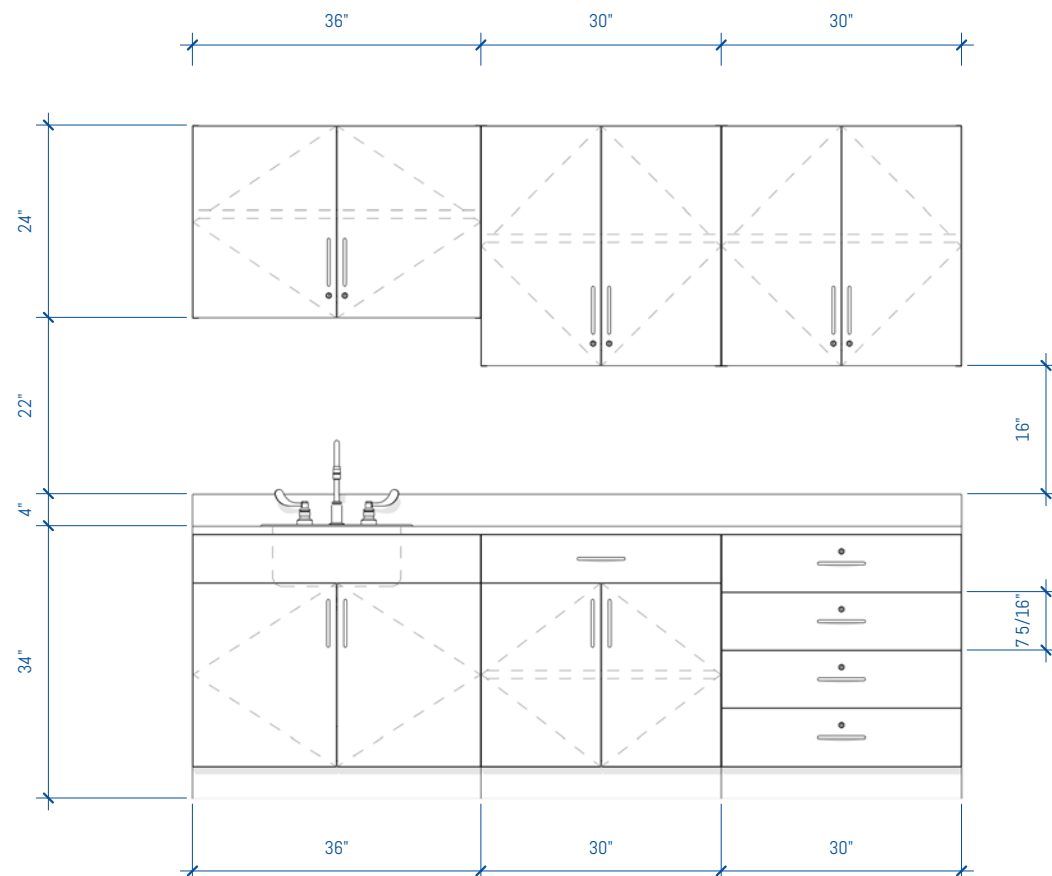


Stainless Steel Single Bowl Sink w/ Ledge

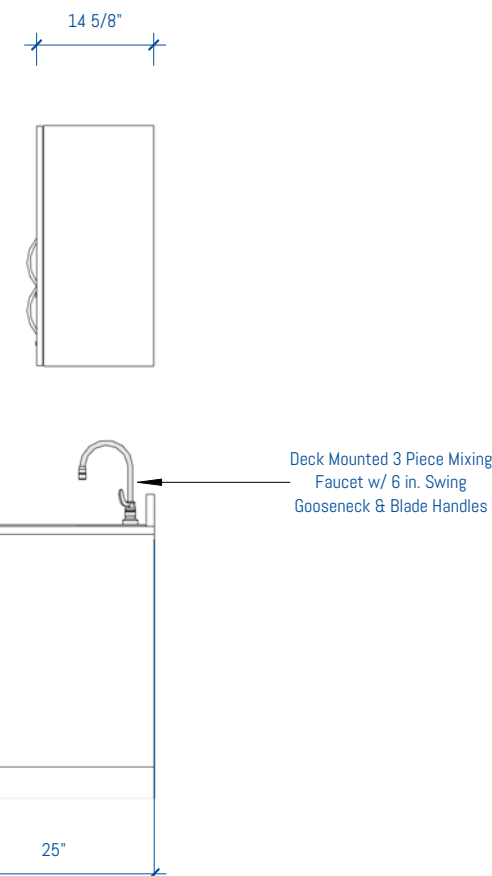


4 EXAM ROOM - LAM 8ft - OPTION 5
1/2" = 1'-0"

3 EXAM ROOM - LAM 8ft - OPTION 5



2 EXAM ROOM - LAM 8ft - OPTION 5 - FRONT
1/2" = 1'-0"



Deck Mounted 3 Piece Mixing Faucet w/ 6 in. Swing Gooseneck & Blade Handles

1 EXAM ROOM - LAM 8ft - OPTION 5 - SIDE
1/2" = 1'-0"

GENERAL NOTES

SUSTAINABILITY

- Particleboard and MDF fabricated from recycled wood waste material
- Cardboard packaging made from recycled materials
- Unusable pallets are recycled
- All aluminum scrap is recycled
- All adhesives used are water-based
- Products meet low VOC standards
- Powder coat paint is used on all metal surfaces
- Greenguard Gold Certified to provide safe, quality, environmentally friendly workspaces.
- FSC and OSHPD certified components are also available

CONSTRUCTION

- Cabinets are constructed of 3/4" thick industrial grade 40-50lb substrate, double-faced melamine
- All exposed edges are covered with 2mm PVC edge banding
- All panels are connected with hafele mini-fix cam hidden fastener system
- All cabinets are rail mounted for ease of install
- Work surfaces are constructed of 1 1/16" thick high-pressure laminate



MODULAR CASEWORK
ROOM SEGMENTS

Copyright 2017 Southwest Solutions Group. This material is proprietary and confidential and the disclosure, reproduction (by photocopy, film, blueprint or otherwise) or incorporation into any information retrieval system without first receiving written approval from Southwest Solutions Group is expressly prohibited by law.

Approved By

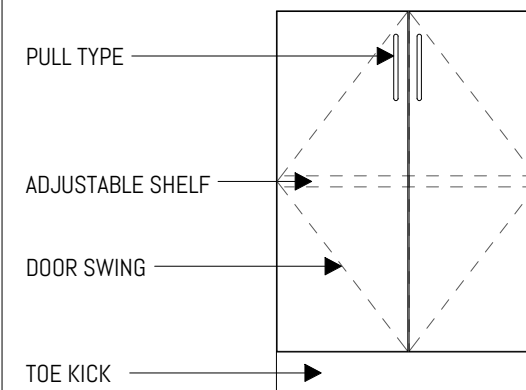
Date

Drawn by DHaynal

Salesperson SSG

Scale 1/2" = 1'-0"

LEGEND



RN DATE DESCRIPTION

SSG REVISION SCHEDULE

EXAM ROOM - LAM 8ft
- OPTION 5

SHEET NUMBER

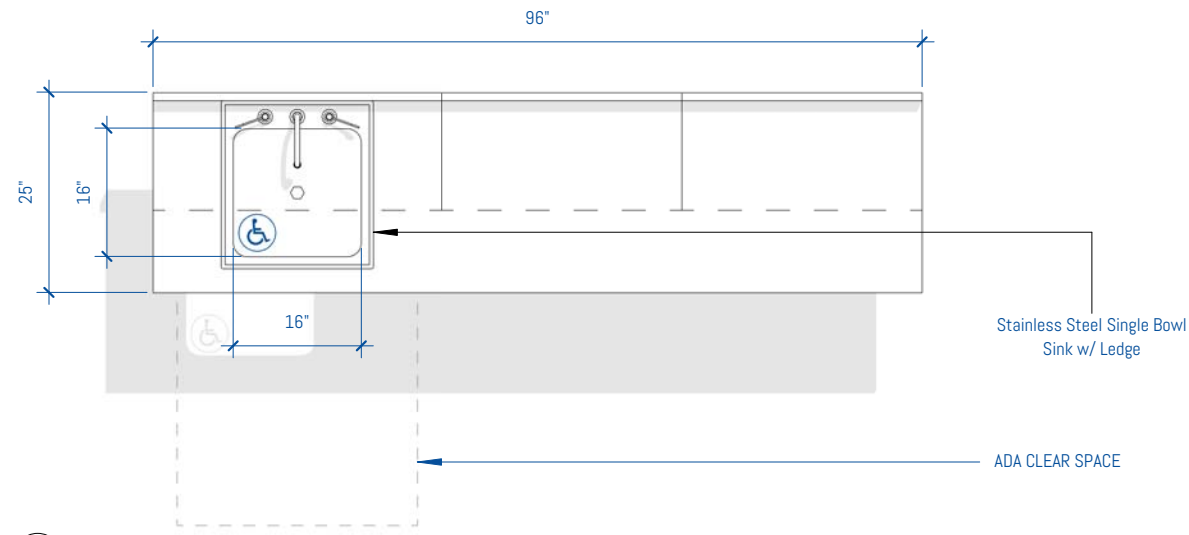
ER-15 of ER-30

FOR MORE INFORMATION

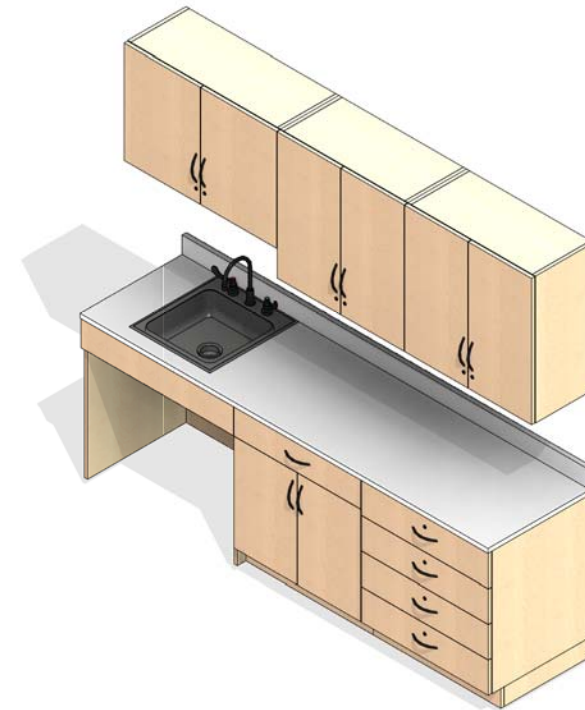
<https://bim.southwestsolutions.com>

Exam Room Cabinets - 8' Wide - Option 6

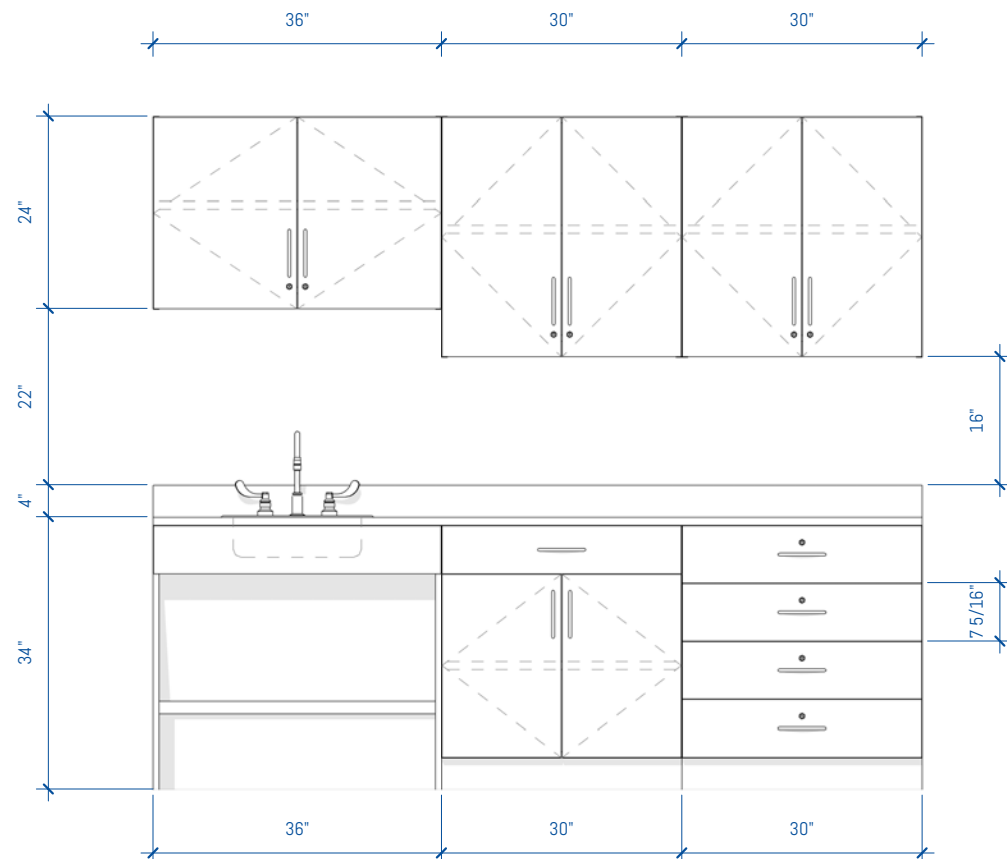
SMS-03-V90-SSG-EX08-6-L



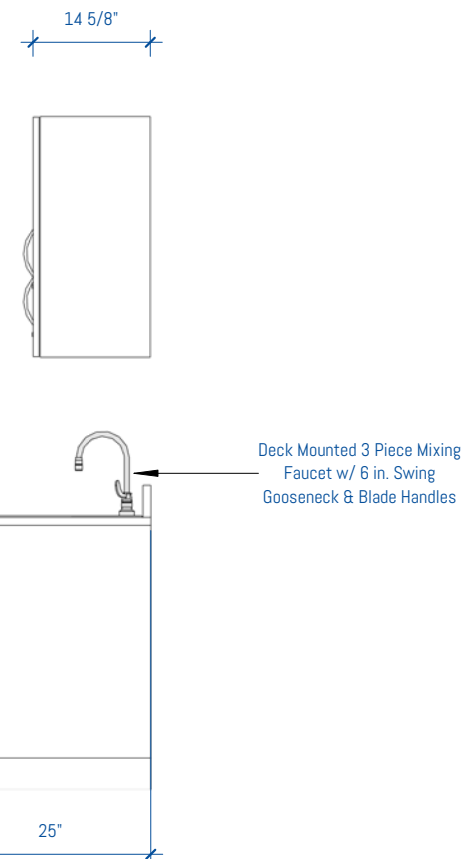
4 EXAM ROOM - LAM 8ft - OPTION 6
1/2" = 1'-0"



3 EXAM ROOM - LAM 8ft - OPTION 6



2 EXAM ROOM - LAM 8ft - OPTION 6 - FRONT
1/2" = 1'-0"



1 EXAM ROOM - LAM 8ft - OPTION 6 - SIDE
1/2" = 1'-0"

GENERAL NOTES

SUSTAINABILITY

- Particleboard and MDF fabricated from recycled wood waste material
- Cardboard packaging made from recycled materials
- Unusable pallets are recycled
- All aluminum scrap is recycled
- All adhesives used are water-based
- Products meet low VOC standards
- Powder coat paint is used on all metal surfaces
- Greenguard Gold Certified to provide safe, quality, environmentally friendly workspaces.
- FSC and OSHPD certified components are also available

CONSTRUCTION

- Cabinets are constructed of 3/4" thick industrial grade 40-50lb substrate, double-faced melamine
- All exposed edges are covered with 2mm PVC edge banding
- All panels are connected with hafele mini-fix cam hidden fastener system
- All cabinets are rail mounted for ease of install
- Work surfaces are constructed of 1 1/16" thick high-pressure laminate



MODULAR CASEWORK
ROOM SEGMENTS

Copyright 2017 Southwest Solutions Group. This material is proprietary and confidential and the disclosure, reproduction (by photocopy, film, blueprint or otherwise) or incorporation into any information retrieval system without first receiving written approval from Southwest Solutions Group is expressly prohibited by law.

Approved By

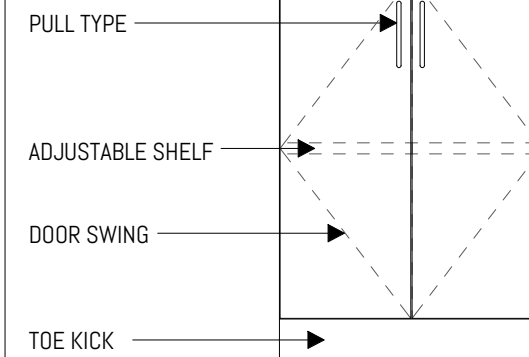
Date

Drawn by DHaynal

Salesperson SSG

Scale 1/2" = 1'-0"

LEGEND



RN DATE DESCRIPTION

SSG REVISION SCHEDULE

EXAM ROOM - LAM 8ft
- OPTION 6

SHEET NUMBER

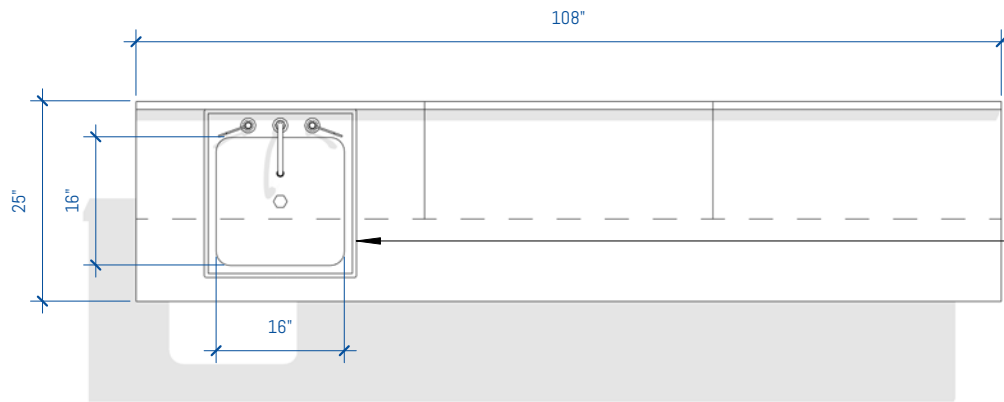
ER-16 of ER-30

FOR MORE INFORMATION

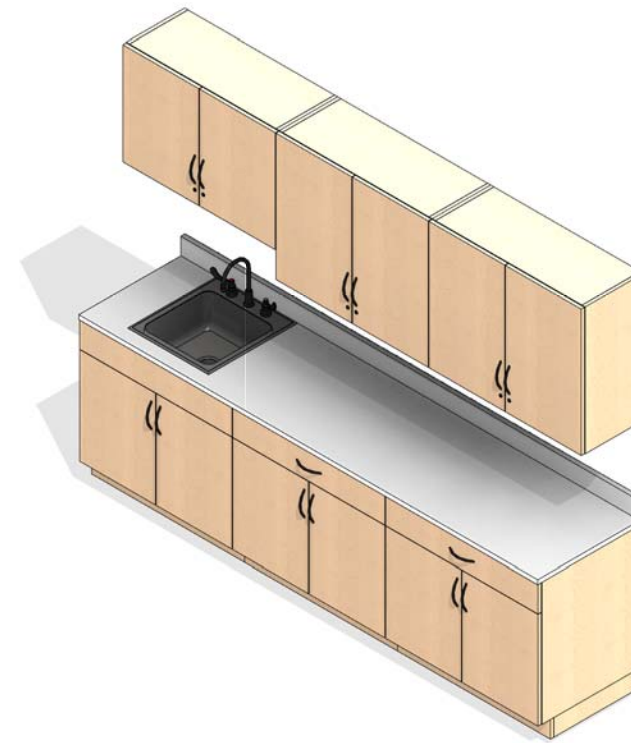
<https://bim.southwestsolutions.com>

Exam Room Cabinets - 9' Wide - Option 1

SMS-03-V90-SSG-EX09-1-L

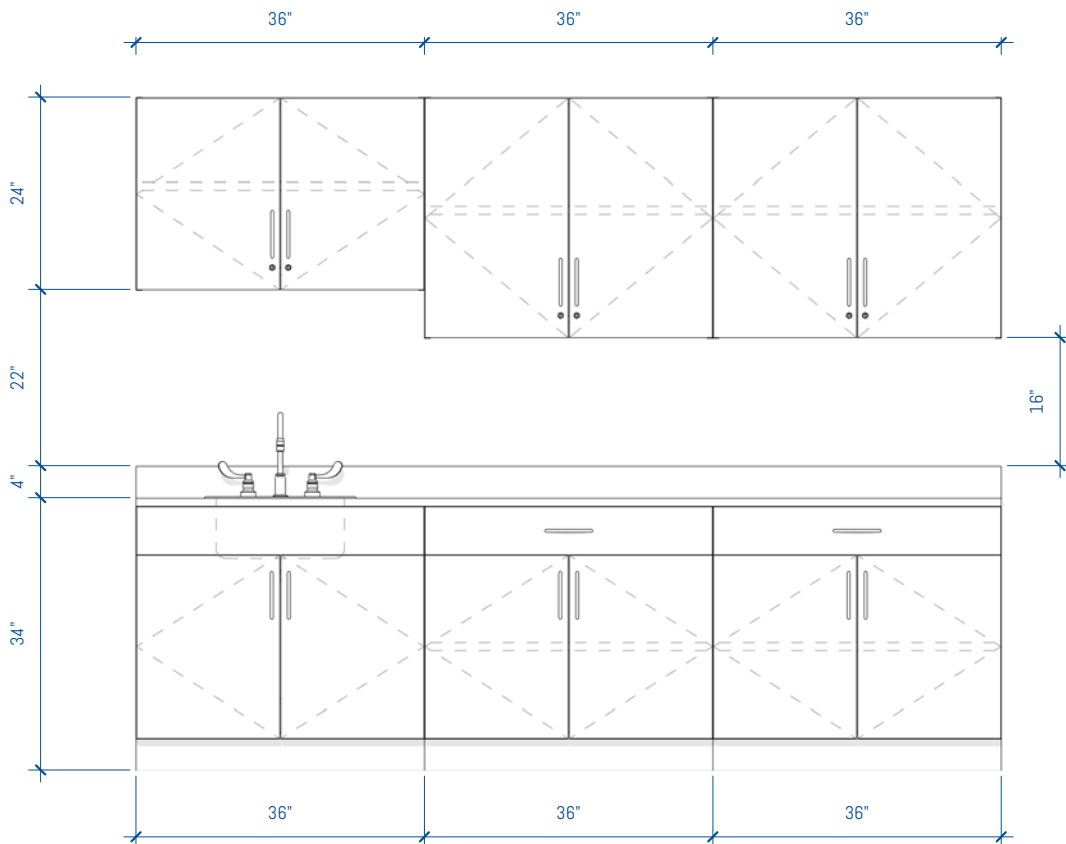


Stainless Steel Single Bowl Sink w/ Ledge



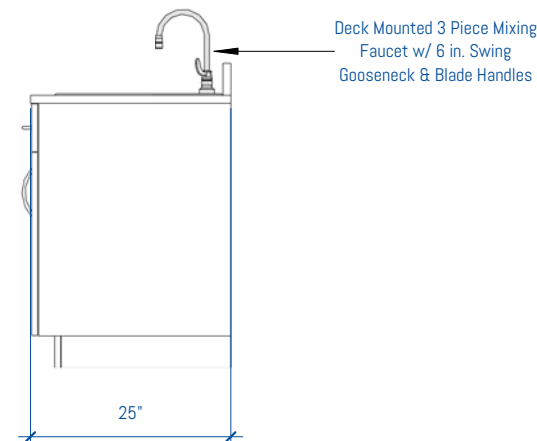
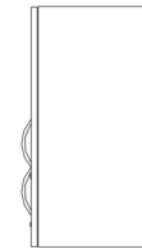
4 EXAM ROOM - LAM 9ft - OPTION 1
1/2" = 1'-0"

3 EXAM ROOM - LAM 9ft - OPTION 1
1/2" = 1'-0"



2 EXAM ROOM - LAM 9ft - OPTION 1 - FRONT
1/2" = 1'-0"

14 5/8"



Deck Mounted 3 Piece Mixing Faucet w/ 6 in. Swing Gooseneck & Blade Handles

1 EXAM ROOM - LAM 9ft - OPTION 1 - SIDE
1/2" = 1'-0"

GENERAL NOTES

SUSTAINABILITY

- Particleboard and MDF fabricated from recycled wood waste material
- Cardboard packaging made from recycled materials
- Unusable pallets are recycled
- All aluminum scrap is recycled
- All adhesives used are water-based
- Products meet low VOC standards
- Powder coat paint is used on all metal surfaces
- Greenguard Gold Certified to provide safe, quality, environmentally friendly workspaces.
- FSC and OSHPD certified components are also available

CONSTRUCTION

- Cabinets are constructed of 3/4" thick industrial grade 40-50lb substrate, double-faced melamine
- All exposed edges are covered with 2mm PVC edge banding
- All panels are connected with hafele mini-fix cam hidden fastener system
- All cabinets are rail mounted for ease of install
- Work surfaces are constructed of 1 1/16" thick high-pressure laminate



MODULAR CASEWORK
ROOM SEGMENTS

Copyright 2017 Southwest Solutions Group. This material is proprietary and confidential and the disclosure, reproduction (by photocopy, film, blueprint or otherwise) or incorporation into any information retrieval system without first receiving written approval from Southwest Solutions Group is expressly prohibited by law.

Approved By

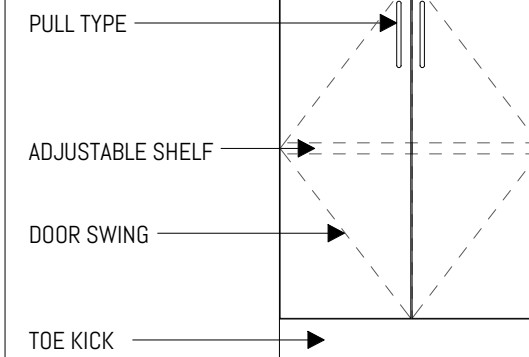
Date

Drawn by DHaynal

Salesperson SSG

Scale 1/2" = 1'-0"

LEGEND



RN	DATE	DESCRIPTION
SSG REVISION SCHEDULE		

EXAM ROOM - LAM 9ft
- OPTION 1

SHEET NUMBER

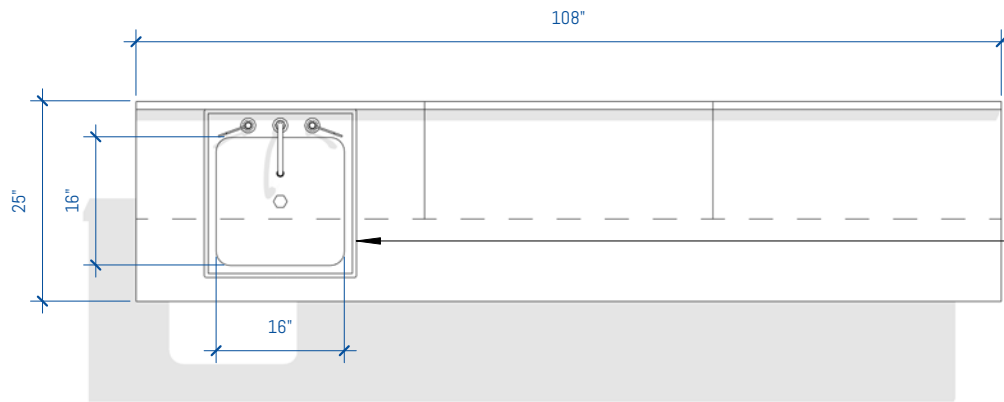
ER-17 of ER-30

FOR MORE INFORMATION

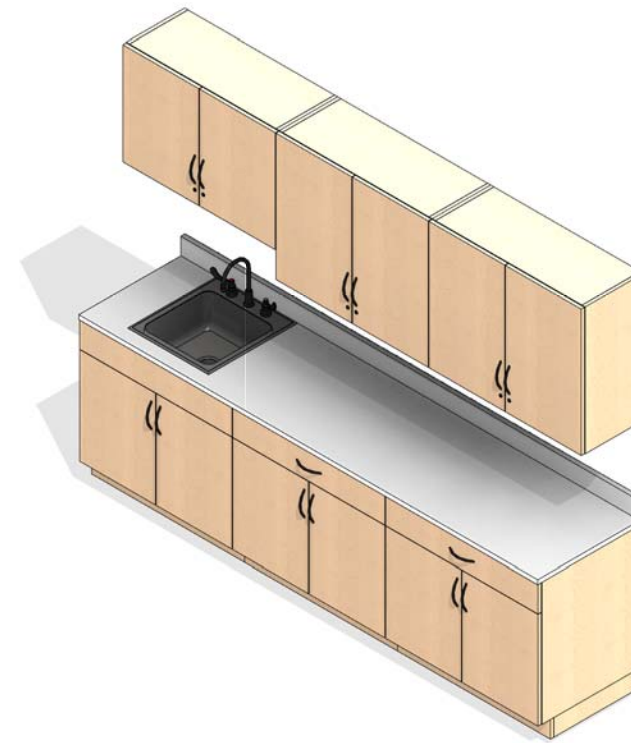
<https://bim.southwestsolutions.com>

Exam Room Cabinets - 9' Wide - Option 2

SMS-03-V90-SSG-EX09-2-L

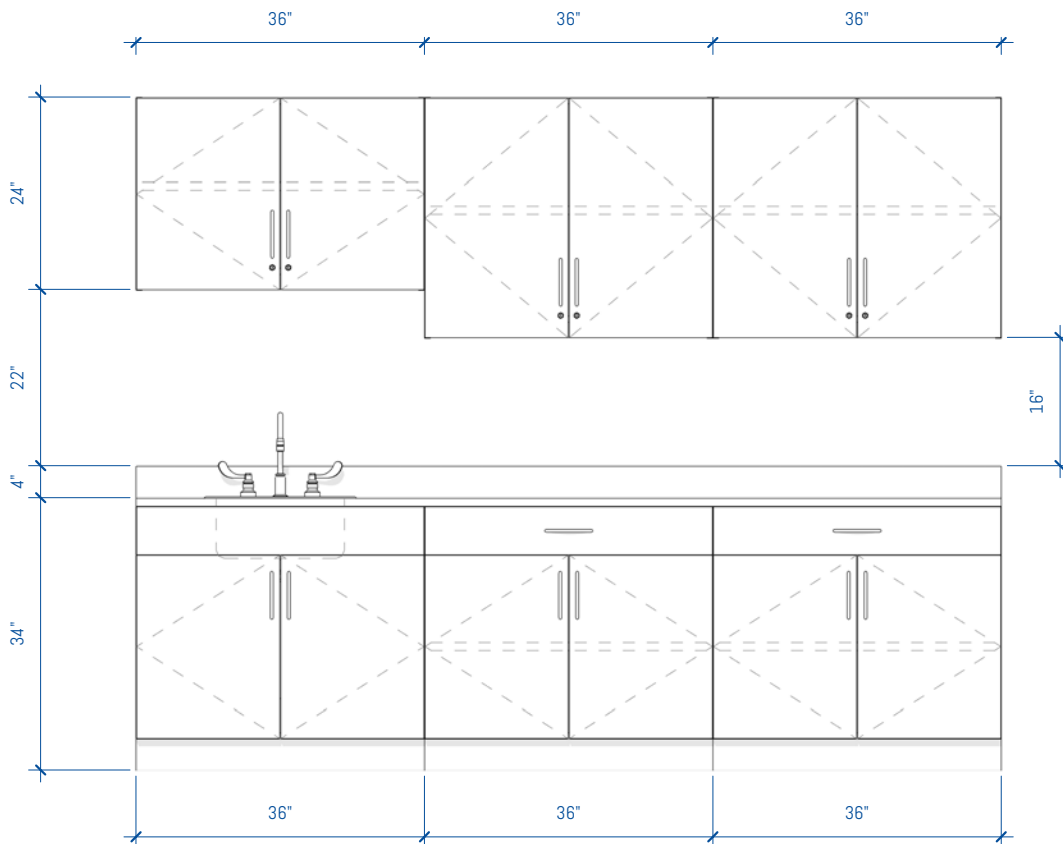


Stainless Steel Single Bowl Sink w/ Ledge



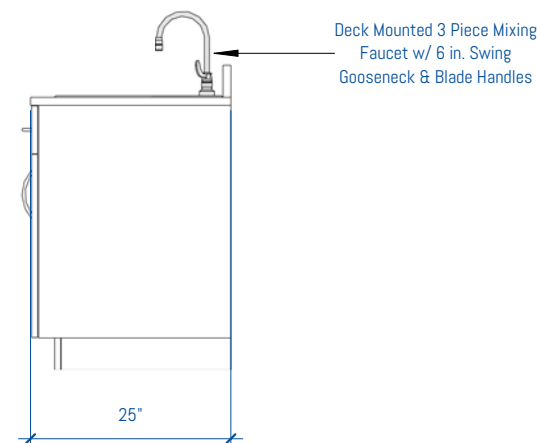
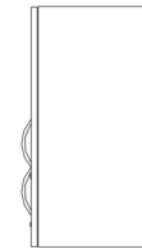
4 EXAM ROOM - LAM 9ft - OPTION 1
1/2" = 1'-0"

3 EXAM ROOM - LAM 9ft - OPTION 1
1/2" = 1'-0"



2 EXAM ROOM - LAM 9ft - OPTION 1 - FRONT
1/2" = 1'-0"

14 5/8"



1 EXAM ROOM - LAM 9ft - OPTION 1 - SIDE
1/2" = 1'-0"

GENERAL NOTES

SUSTAINABILITY

- Particleboard and MDF fabricated from recycled wood waste material
- Cardboard packaging made from recycled materials
- Unusable pallets are recycled
- All aluminum scrap is recycled
- All adhesives used are water-based
- Products meet low VOC standards
- Powder coat paint is used on all metal surfaces
- Greenguard Gold Certified to provide safe, quality, environmentally friendly workspaces.
- FSC and OSHPD certified components are also available

CONSTRUCTION

- Cabinets are constructed of 3/4" thick industrial grade 40-50lb substrate, double-faced melamine
- All exposed edges are covered with 2mm PVC edge banding
- All panels are connected with hafele mini-fix cam hidden fastener system
- All cabinets are rail mounted for ease of install
- Work surfaces are constructed of 1 1/16" thick high-pressure laminate



MODULAR CASEWORK
ROOM SEGMENTS

Copyright 2017 Southwest Solutions Group. This material is proprietary and confidential and the disclosure, reproduction (by photocopy, film, blueprint or otherwise) or incorporation into any information retrieval system without first receiving written approval from Southwest Solutions Group is expressly prohibited by law.

Approved By

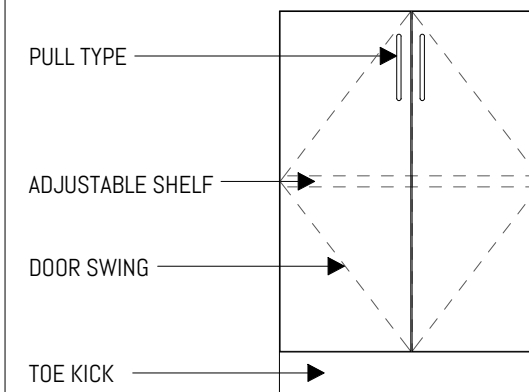
Date

Drawn by DHaynal

Salesperson SSG

Scale 1/2" = 1'-0"

LEGEND



RN DATE DESCRIPTION

SSG REVISION SCHEDULE

EXAM ROOM - LAM 9ft
- OPTION 1

SHEET NUMBER

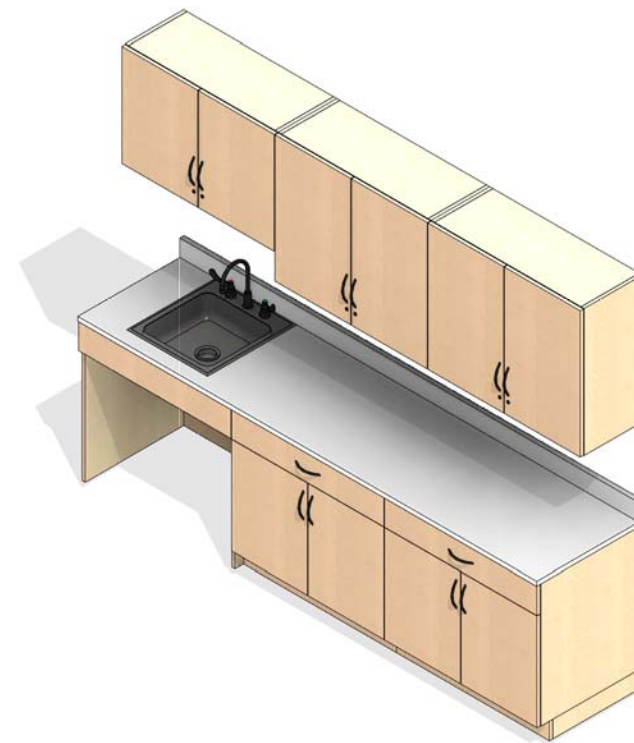
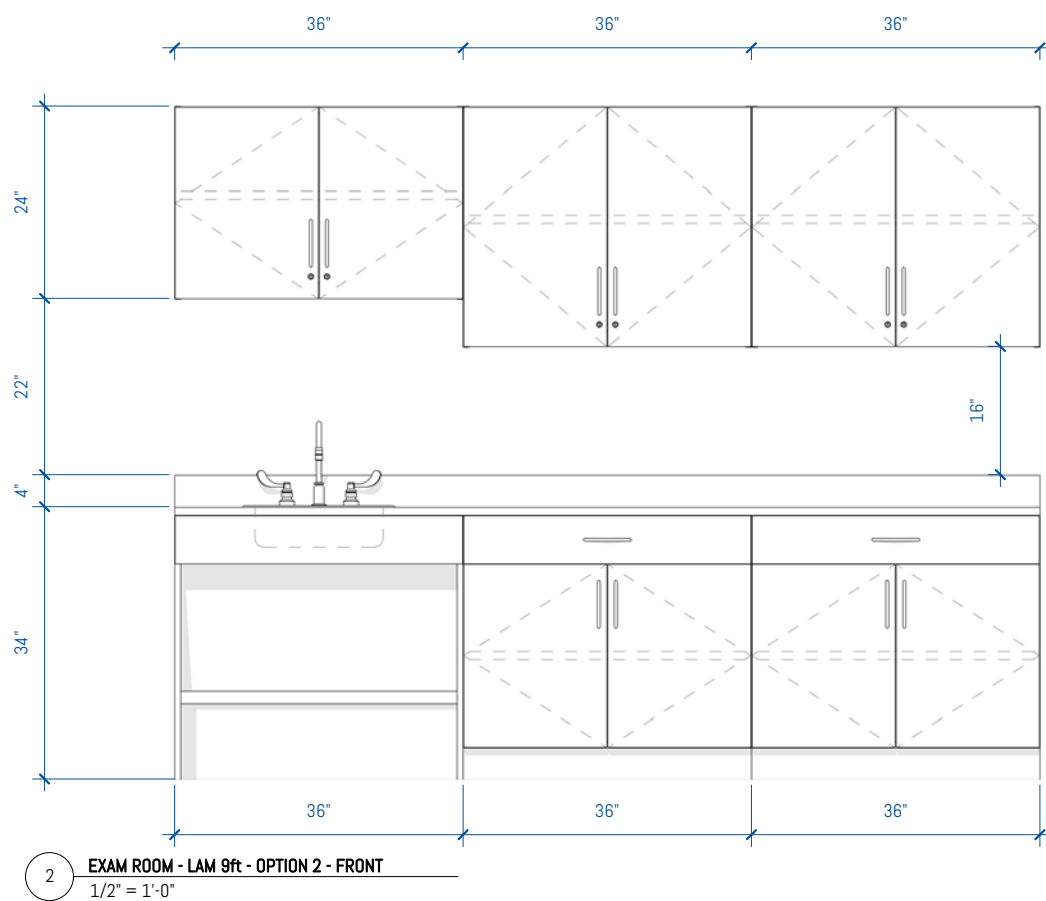
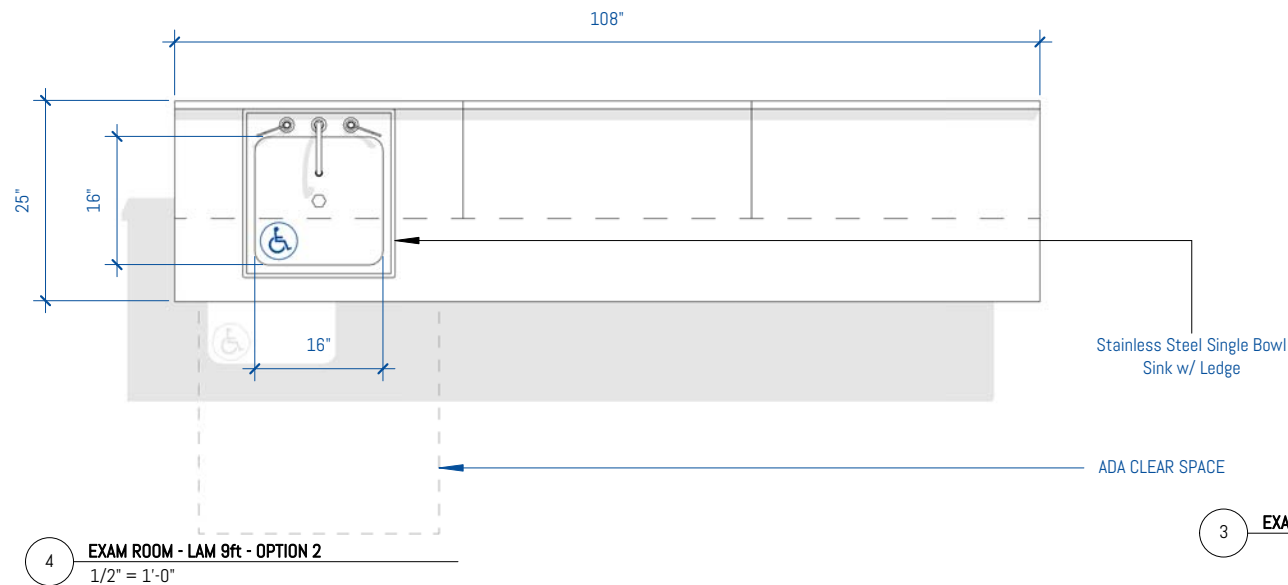
ER-17 of ER-30

FOR MORE INFORMATION

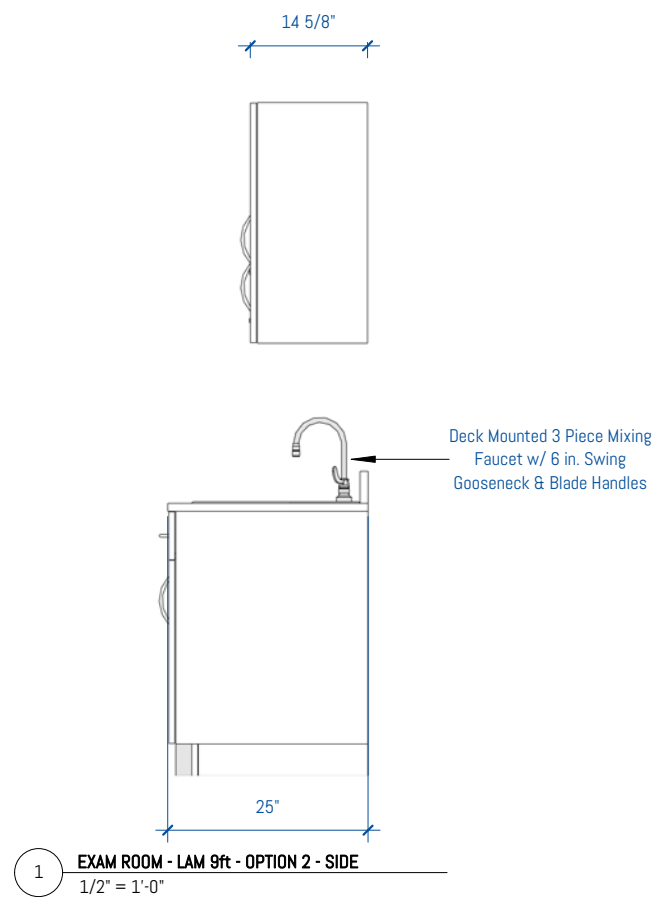
<https://bim.southwestsolutions.com>

Exam Room Cabinets - 9' Wide - Option 2

SMS-03-V90-SSG-EX09-2-L



3 EXAM ROOM - LAM 9ft - OPTION 2



GENERAL NOTES

SUSTAINABILITY

- Particleboard and MDF fabricated from recycled wood waste material
- Cardboard packaging made from recycled materials
- Unusable pallets are recycled
- All aluminum scrap is recycled
- All adhesives used are water-based
- Products meet low VOC standards
- Powder coat paint is used on all metal surfaces
- Greenguard Gold Certified to provide safe, quality, environmentally friendly workspaces.
- FSC and OSHPD certified components are also available

CONSTRUCTION

- Cabinets are constructed of 3/4" thick industrial grade 40-50lb substrate, double-faced melamine
- All exposed edges are covered with 2mm PVC edge banding
- All panels are connected with hafele mini-fix cam hidden fastener system
- All cabinets are rail mounted for ease of install
- Work surfaces are constructed of 1 1/16" thick high-pressure laminate



MODULAR CASEWORK
ROOM SEGMENTS

Copyright 2017 Southwest Solutions Group. This material is proprietary and confidential and the disclosure, reproduction (by photocopy, film, blueprint or otherwise) or incorporation into any information retrieval system without first receiving written approval from Southwest Solutions Group is expressly prohibited by law.

Approved By

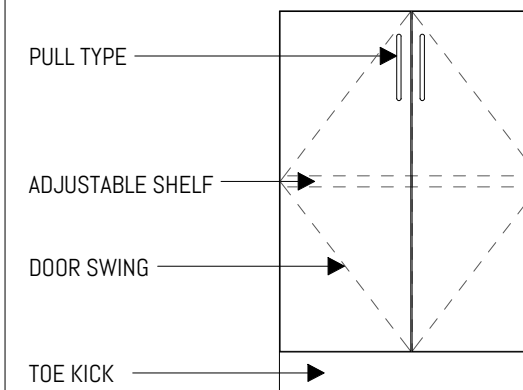
Date

Drawn by DHaynal

Salesperson SSG

Scale 1/2" = 1'-0"

LEGEND



RN DATE DESCRIPTION

SSG REVISION SCHEDULE

EXAM ROOM - LAM 9ft
- OPTION 2

SHEET NUMBER

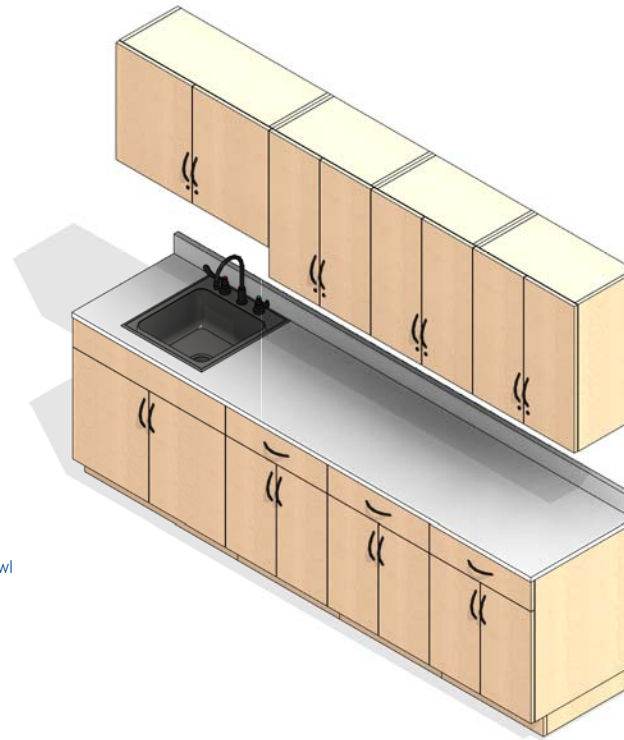
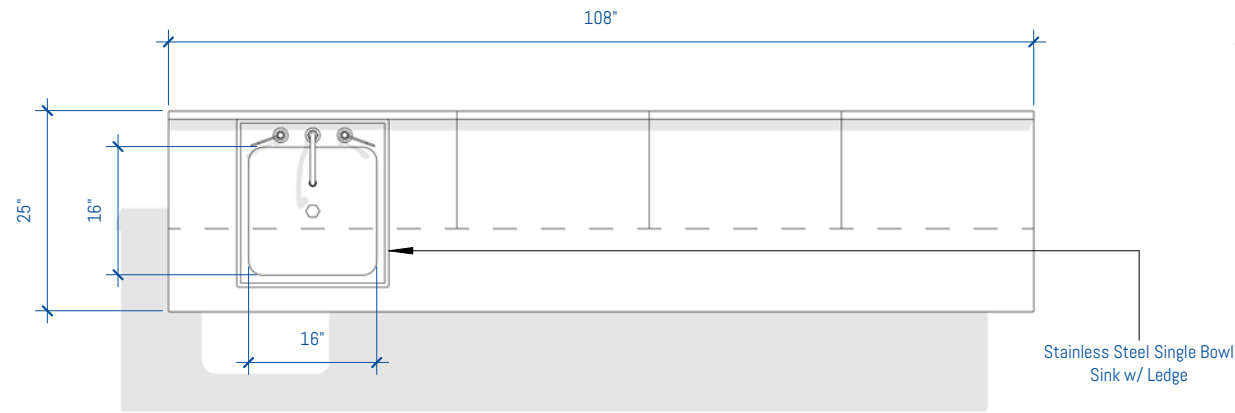
ER-18 of ER-30

FOR MORE INFORMATION

<https://bim.southwestsolutions.com>

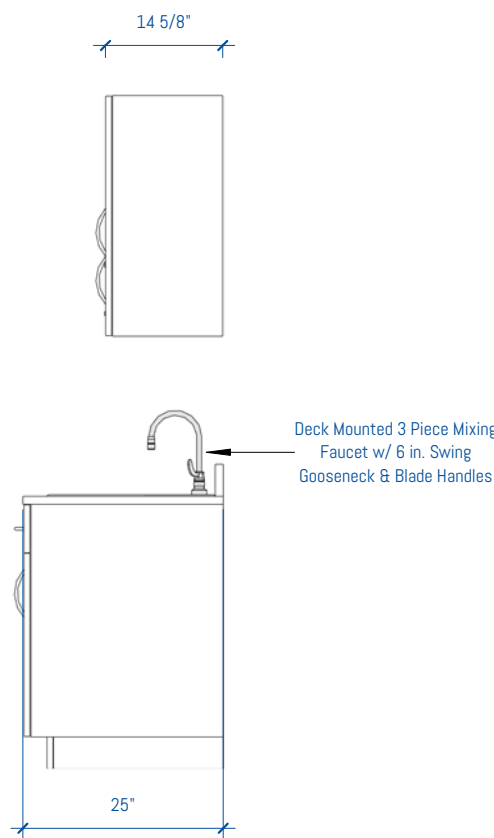
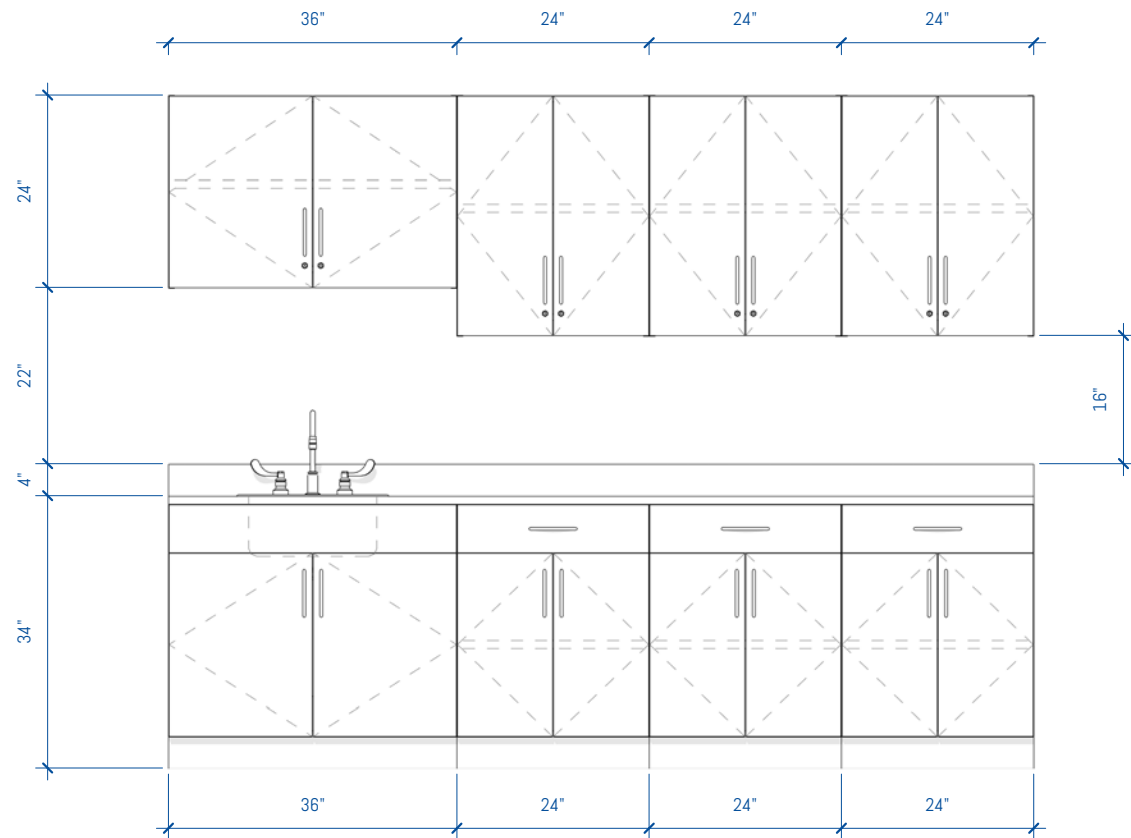
Exam Room Cabinets - 9' Wide - Option 3

SMS-03-V90-SSG-EX09-3-L



4 EXAM ROOM - LAM 9ft - OPTION 3
1/2" = 1'-0"

3 EXAM ROOM - LAM 9ft - OPTION 3
1/2" = 1'-0"



2 EXAM ROOM - LAM 9ft - OPTION 3 - FRONT
1/2" = 1'-0"

1 EXAM ROOM - LAM 9ft - OPTION 3 - SIDE
1/2" = 1'-0"

GENERAL NOTES

SUSTAINABILITY

- Particleboard and MDF fabricated from recycled wood waste material
- Cardboard packaging made from recycled materials
- Unusable pallets are recycled
- All aluminum scrap is recycled
- All adhesives used are water-based
- Products meet low VOC standards
- Powder coat paint is used on all metal surfaces
- Greenguard Gold Certified to provide safe, quality, environmentally friendly workspaces.
- FSC and OSHPD certified components are also available

CONSTRUCTION

- Cabinets are constructed of 3/4" thick industrial grade 40-50lb substrate, double-faced melamine
- All exposed edges are covered with 2mm PVC edge banding
- All panels are connected with hafele mini-fix cam hidden fastener system
- All cabinets are rail mounted for ease of install
- Work surfaces are constructed of 1 1/16" thick high-pressure laminate



MODULAR CASEWORK
ROOM SEGMENTS

Copyright 2017 Southwest Solutions Group. This material is proprietary and confidential and the disclosure, reproduction (by photocopy, film, blueprint or otherwise) or incorporation into any information retrieval system without first receiving written approval from Southwest Solutions Group is expressly prohibited by law.

Approved By

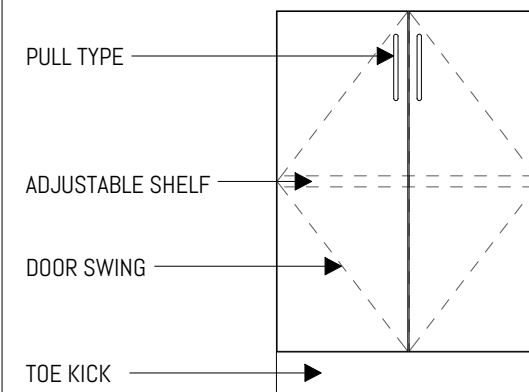
Date

Drawn by DHaynal

Salesperson SSG

Scale 1/2" = 1'-0"

LEGEND



RN	DATE	DESCRIPTION
SSG REVISION SCHEDULE		

EXAM ROOM - LAM 9ft
- OPTION 3

SHEET NUMBER

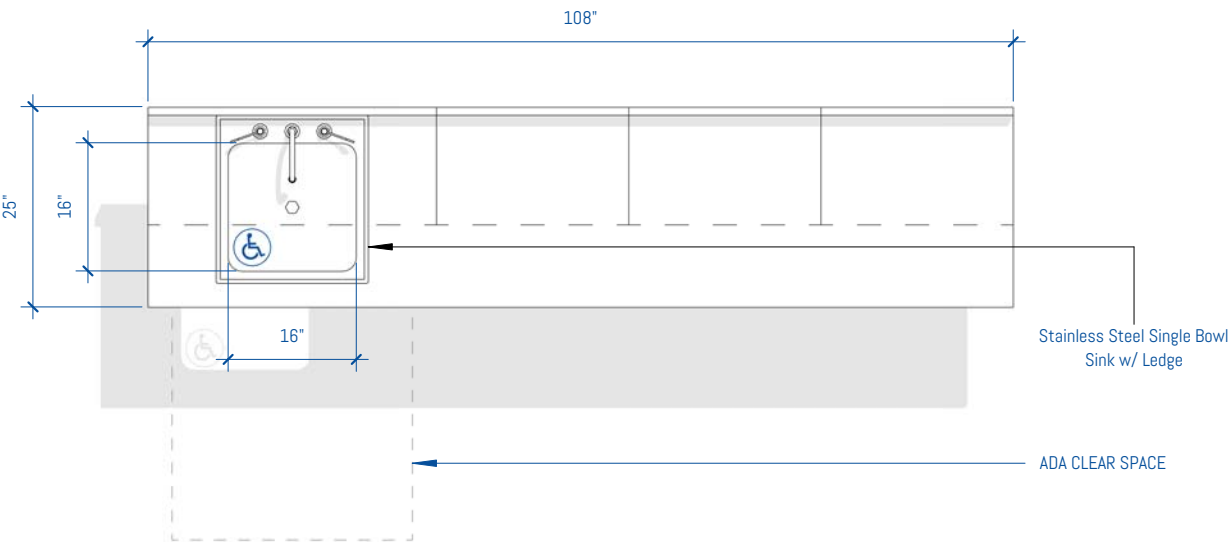
ER-19 of ER-30

FOR MORE INFORMATION

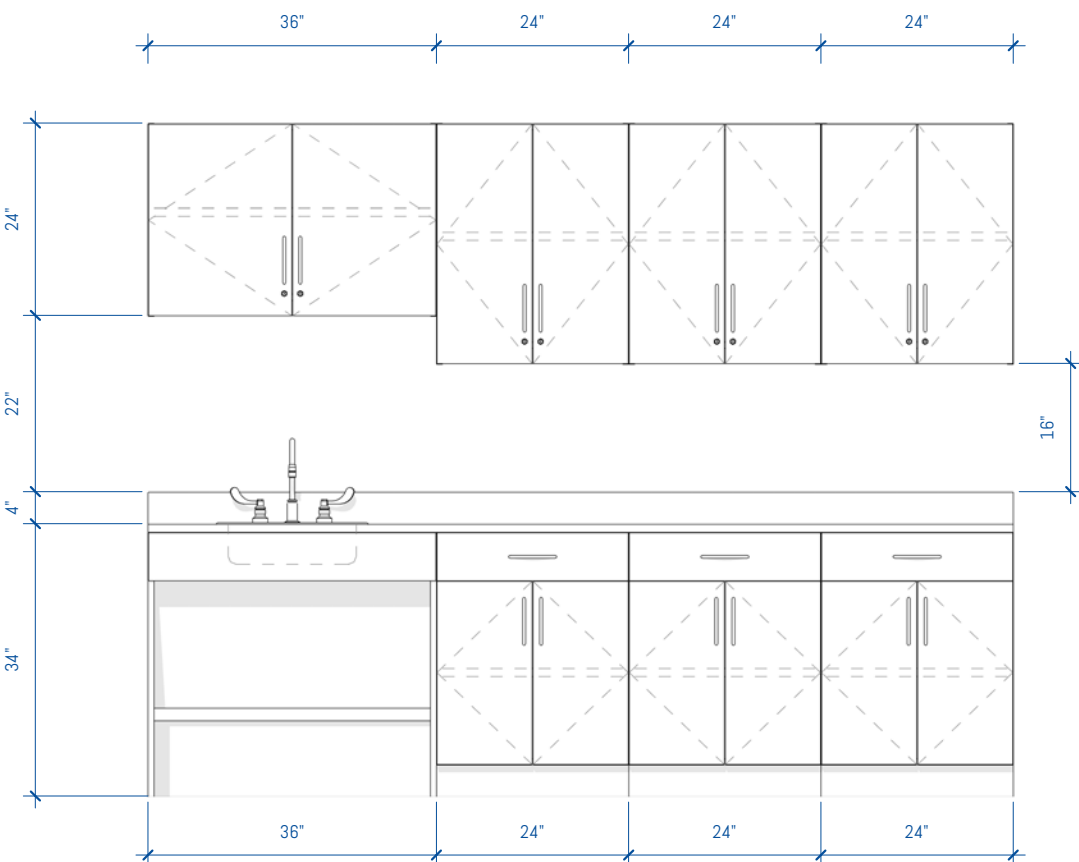
<https://bim.southwestsolutions.com>

Exam Room Cabinets - 9' Wide - Option 4

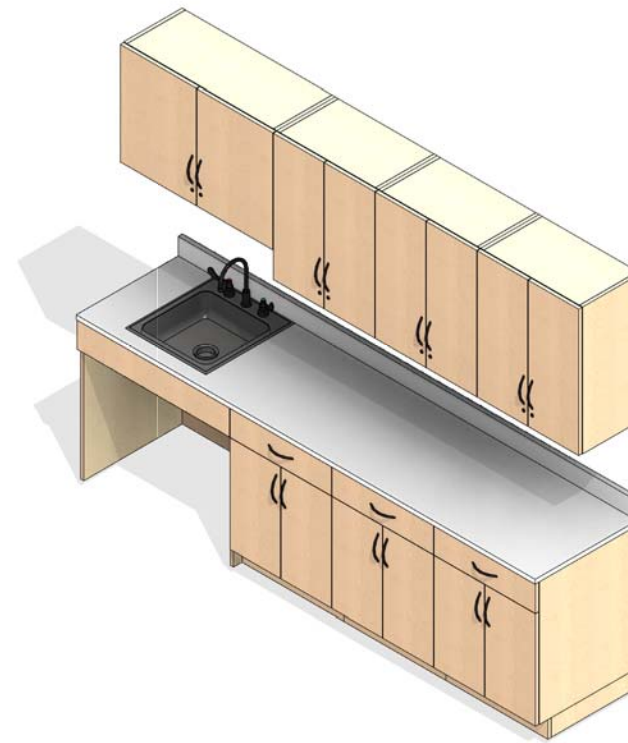
SMS-03-V90-SSG-EX09-4-L



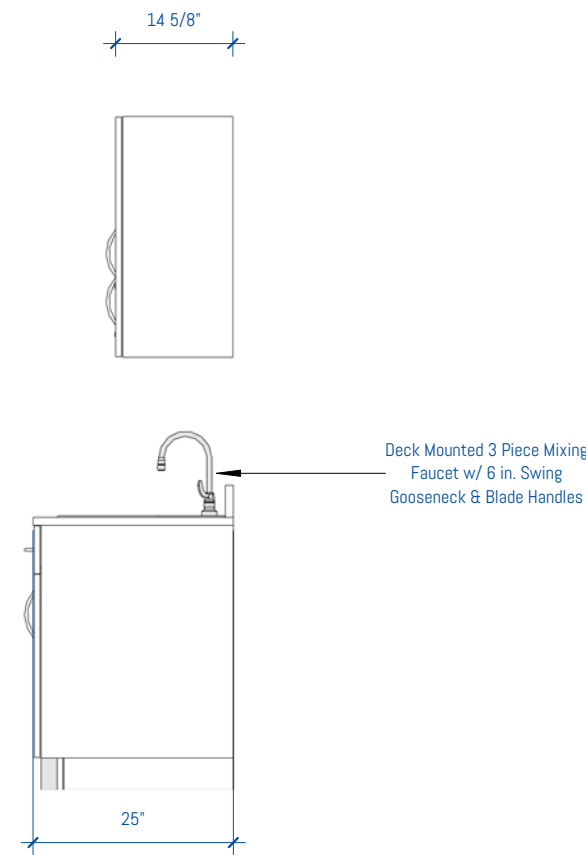
4 EXAM ROOM - LAM 9ft - OPTION 4
1/2" = 1'-0"



2 EXAM ROOM - LAM 9ft - OPTION 4 - FRONT
1/2" = 1'-0"



3 EXAM ROOM - LAM 9ft - OPTION 4



1 EXAM ROOM - LAM 9ft - OPTION 4 - SIDE
1/2" = 1'-0"

GENERAL NOTES

SUSTAINABILITY

- Particleboard and MDF fabricated from recycled wood waste material
- Cardboard packaging made from recycled materials
- Unusable pallets are recycled
- All aluminum scrap is recycled
- All adhesives used are water-based
- Products meet low VOC standards
- Powder coat paint is used on all metal surfaces
- Greenguard Gold Certified to provide safe, quality, environmentally friendly workspaces.
- FSC and OSHPD certified components are also available

CONSTRUCTION

- Cabinets are constructed of 3/4" thick industrial grade 40-50lb substrate, double-faced melamine
- All exposed edges are covered with 2mm PVC edge banding
- All panels are connected with hafele mini-fix cam hidden fastener system
- All cabinets are rail mounted for ease of install
- Work surfaces are constructed of 1 1/16" thick high-pressure laminate



MODULAR CASEWORK
ROOM SEGMENTS

Copyright 2017 Southwest Solutions Group. This material is proprietary and confidential and the disclosure, reproduction (by photocopy, film, blueprint or otherwise) or incorporation into any information retrieval system without first receiving written approval from Southwest Solutions Group is expressly prohibited by law.

Approved By

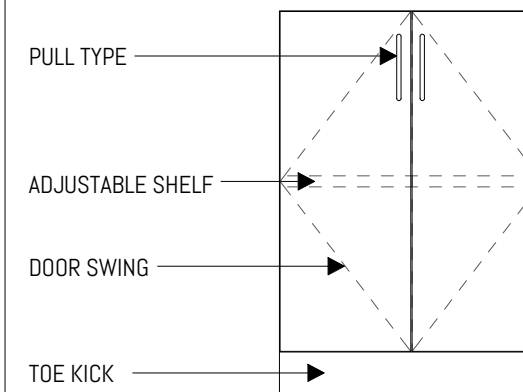
Date

Drawn by DHaynal

Salesperson SSG

Scale 1/2" = 1'-0"

LEGEND



RN DATE DESCRIPTION

SSG REVISION SCHEDULE

EXAM ROOM - LAM 9ft
- OPTION 4

SHEET NUMBER

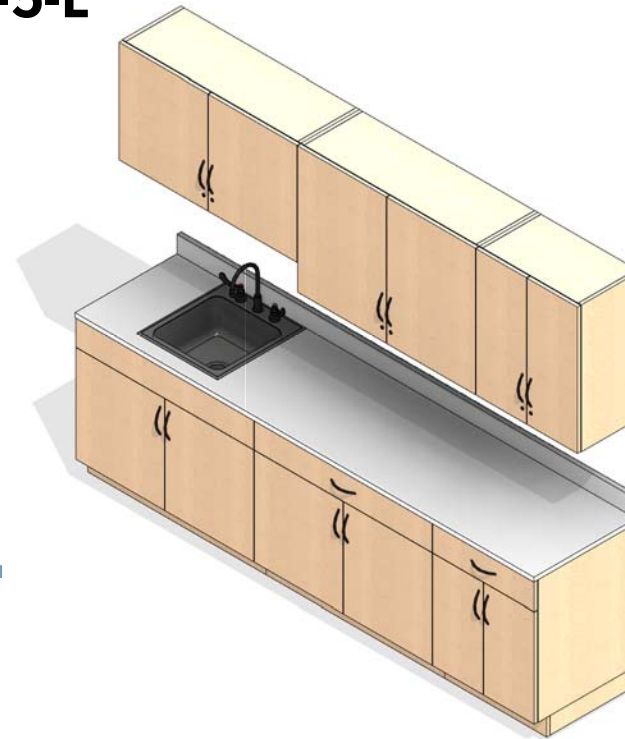
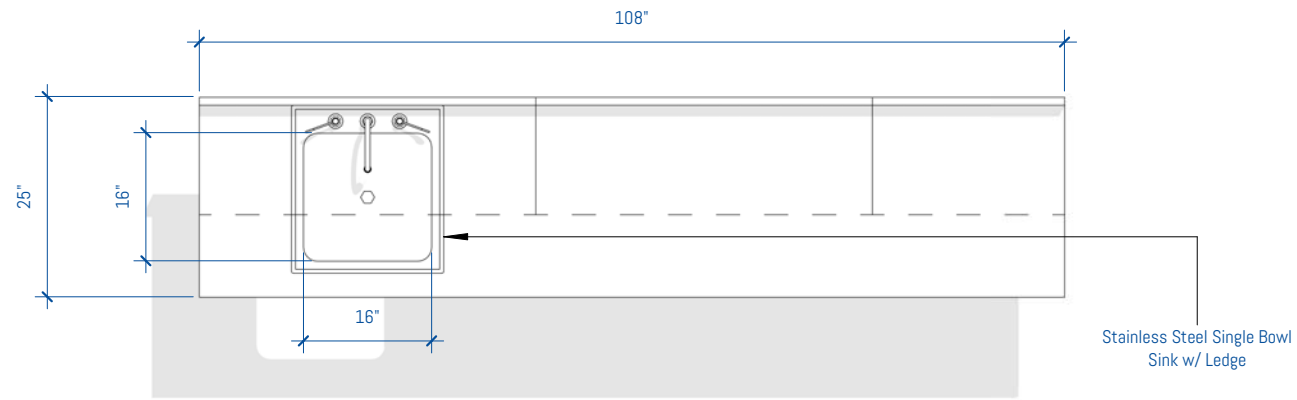
ER-20 of ER-30

FOR MORE INFORMATION

<https://bim.southwestsolutions.com>

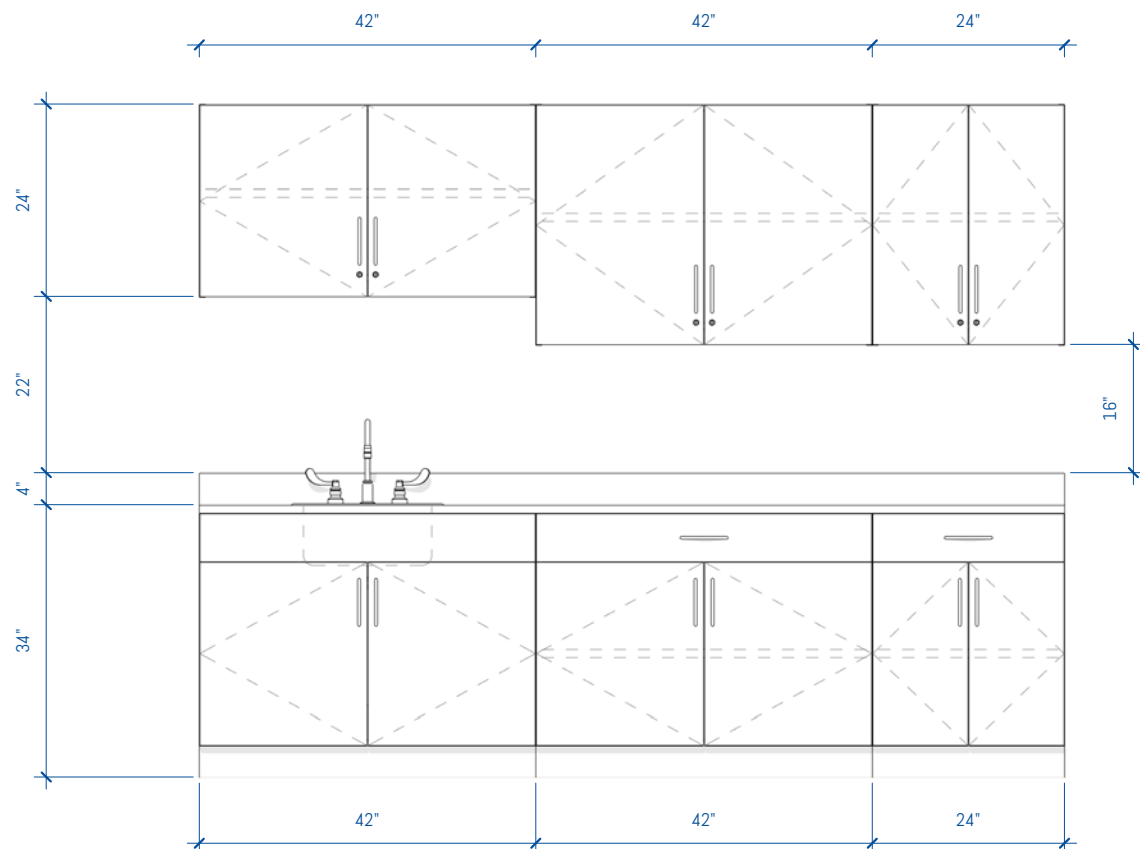
Exam Room Cabinets - 9' Wide - Option 5

SMS-03-V90-SSG-EX09-5-L

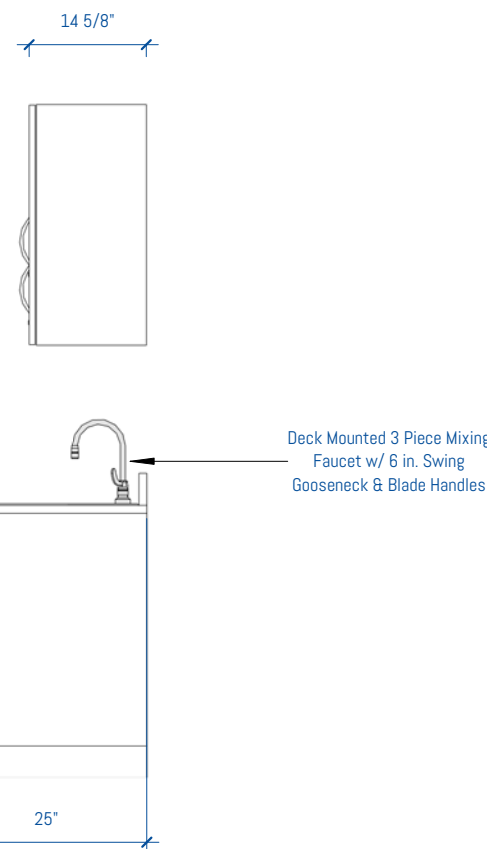


4 EXAM ROOM - LAM 9ft - OPTION 5
1/2" = 1'-0"

3 EXAM ROOM - LAM 9ft - OPTION 5
1/2" = 1'-0"



2 EXAM ROOM - LAM 9ft - OPTION 5 - FRONT
1/2" = 1'-0"



1 EXAM ROOM - LAM 9ft - OPTION 5 - SIDE
1/2" = 1'-0"

GENERAL NOTES

SUSTAINABILITY

- Particleboard and MDF fabricated from recycled wood waste material
- Cardboard packaging made from recycled materials
- Unusable pallets are recycled
- All aluminum scrap is recycled
- All adhesives used are water-based
- Products meet low VOC standards
- Powder coat paint is used on all metal surfaces
- Greenguard Gold Certified to provide safe, quality, environmentally friendly workspaces.
- FSC and OSHPD certified components are also available

CONSTRUCTION

- Cabinets are constructed of 3/4" thick industrial grade 40-50lb substrate, double-faced melamine
- All exposed edges are covered with 2mm PVC edge banding
- All panels are connected with hafele mini-fix cam hidden fastener system
- All cabinets are rail mounted for ease of install
- Work surfaces are constructed of 1 1/16" thick high-pressure laminate



MODULAR CASEWORK
ROOM SEGMENTS

Copyright 2017 Southwest Solutions Group. This material is proprietary and confidential and the disclosure, reproduction (by photocopy, film, blueprint or otherwise) or incorporation into any information retrieval system without first receiving written approval from Southwest Solutions Group is expressly prohibited by law.

Approved By

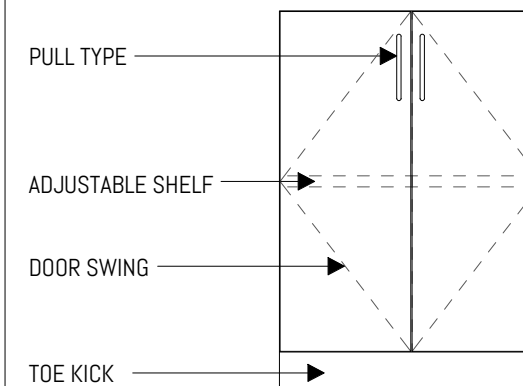
Date

Drawn by DHaynal

Salesperson SSG

Scale 1/2" = 1'-0"

LEGEND



RN DATE DESCRIPTION

SSG REVISION SCHEDULE

EXAM ROOM - LAM 9ft
- OPTION 5

SHEET NUMBER

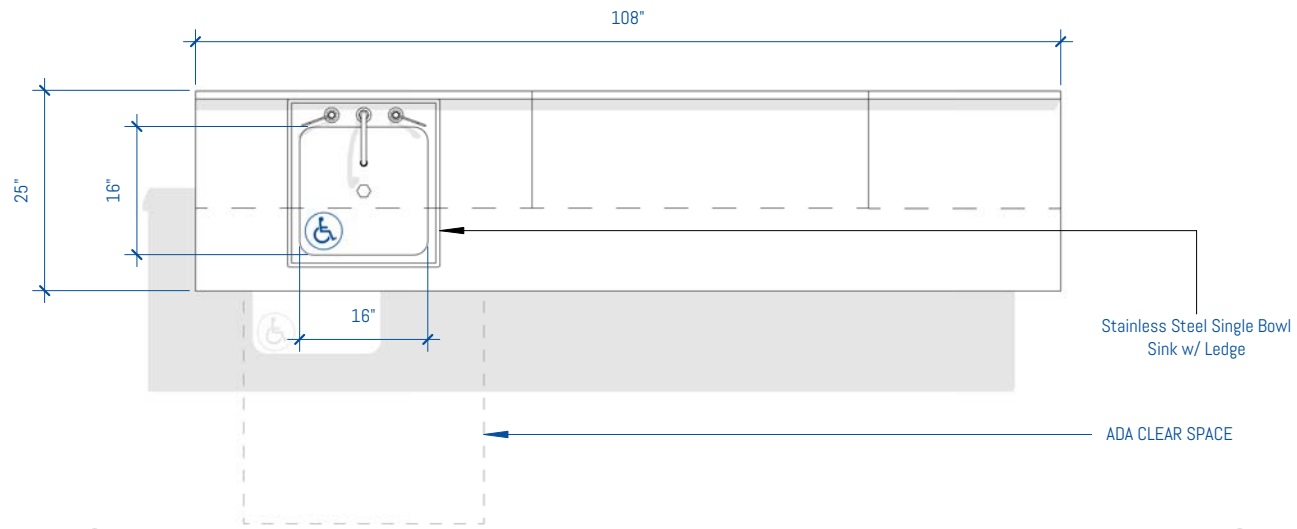
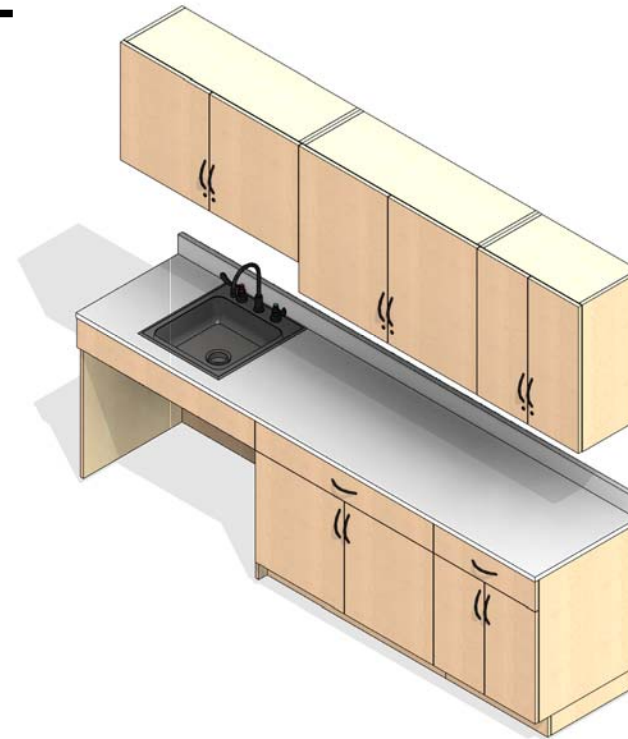
ER-21 of ER-30

FOR MORE INFORMATION

<https://bim.southwestsolutions.com>

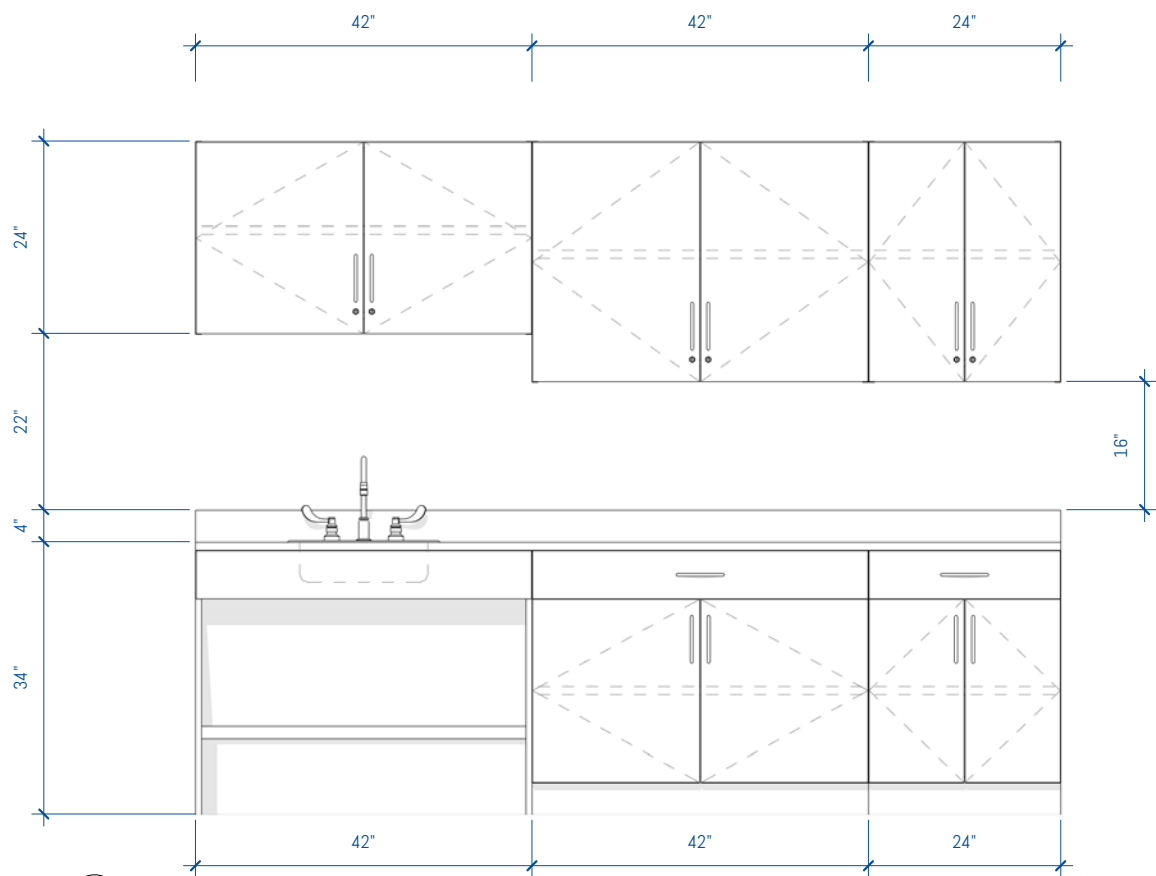
Exam Room Cabinets - 9' Wide - Option 6

SMS-03-V90-SSG-EX09-6-L

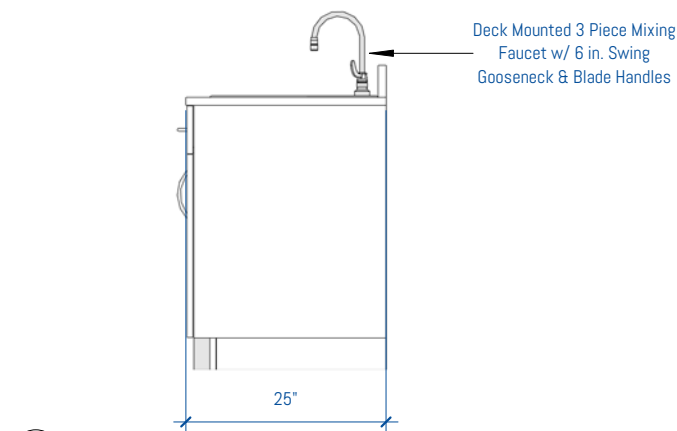
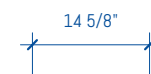


4 EXAM ROOM - LAM 9ft - OPTION 6
1/2" = 1'-0"

3 EXAM ROOM - LAM 9ft - OPTION 6



2 EXAM ROOM - LAM 9ft - OPTION 6 - FRONT
1/2" = 1'-0"



1 EXAM ROOM - LAM 9ft - OPTION 6 - SIDE
1/2" = 1'-0"

GENERAL NOTES

SUSTAINABILITY

- Particleboard and MDF fabricated from recycled wood waste material
- Cardboard packaging made from recycled materials
- Unusable pallets are recycled
- All aluminum scrap is recycled
- All adhesives used are water-based
- Products meet low VOC standards
- Powder coat paint is used on all metal surfaces
- Greenguard Gold Certified to provide safe, quality, environmentally friendly workspaces.
- FSC and OSHPD certified components are also available

CONSTRUCTION

- Cabinets are constructed of 3/4" thick industrial grade 40-50lb substrate, double-faced melamine
- All exposed edges are covered with 2mm PVC edge banding
- All panels are connected with hafele mini-fix cam hidden fastener system
- All cabinets are rail mounted for ease of install
- Work surfaces are constructed of 1 1/16" thick high-pressure laminate



MODULAR CASEWORK
ROOM SEGMENTS

Copyright 2017 Southwest Solutions Group. This material is proprietary and confidential and the disclosure, reproduction (by photocopy, film, blueprint or otherwise) or incorporation into any information retrieval system without first receiving written approval from Southwest Solutions Group is expressly prohibited by law.

Approved By

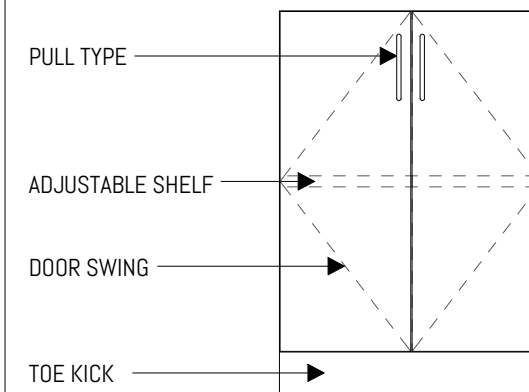
Date

Drawn by DHaynal

Salesperson SSG

Scale 1/2" = 1'-0"

LEGEND



RN	DATE	DESCRIPTION
SSG REVISION SCHEDULE		

EXAM ROOM - LAM 9ft
- OPTION 6

SHEET NUMBER

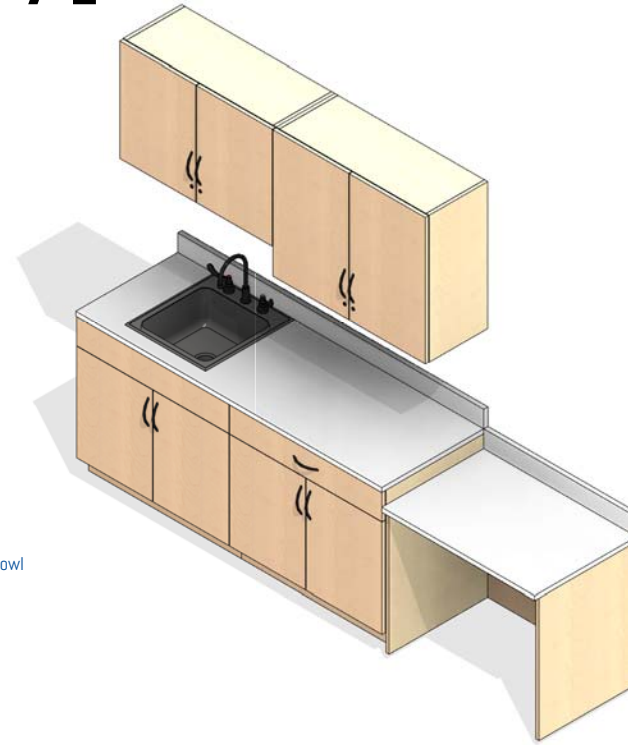
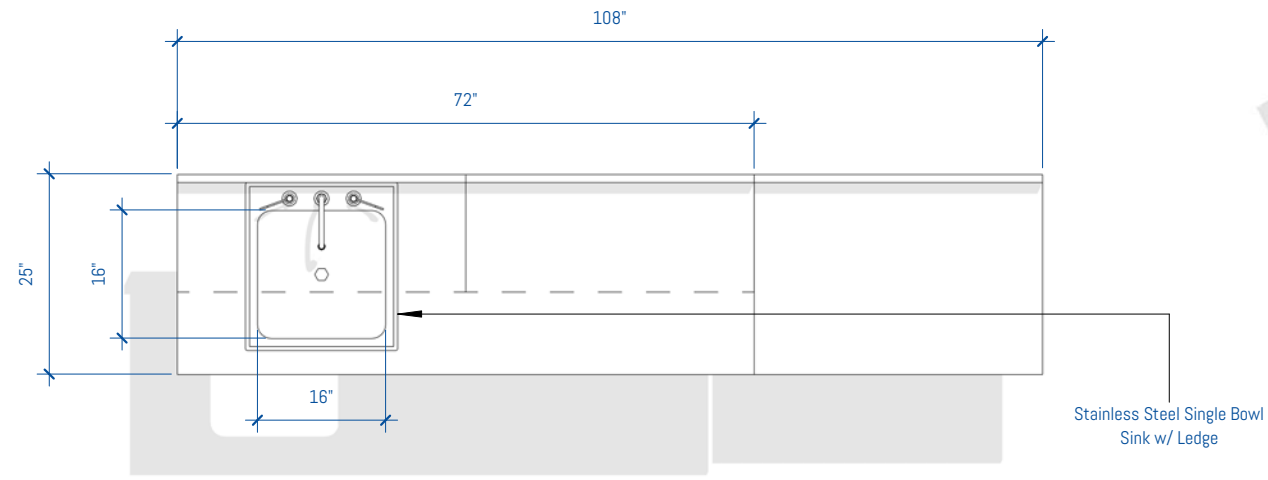
ER-22 of ER-30

FOR MORE INFORMATION

<https://bim.southwestsolutions.com>

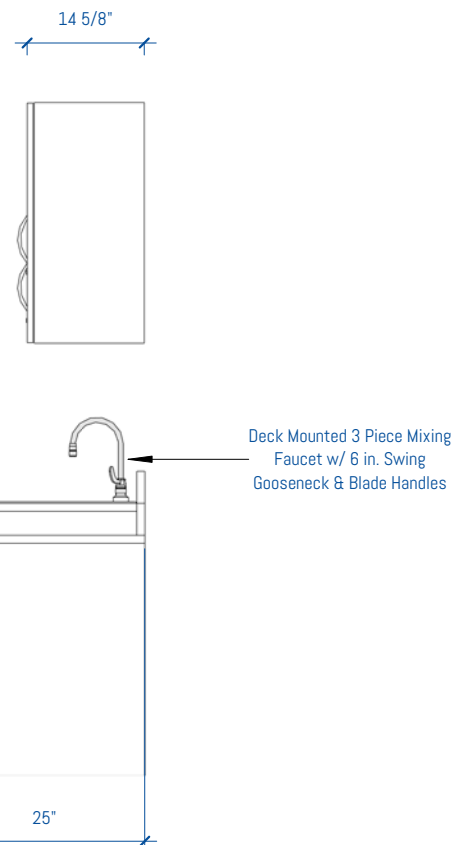
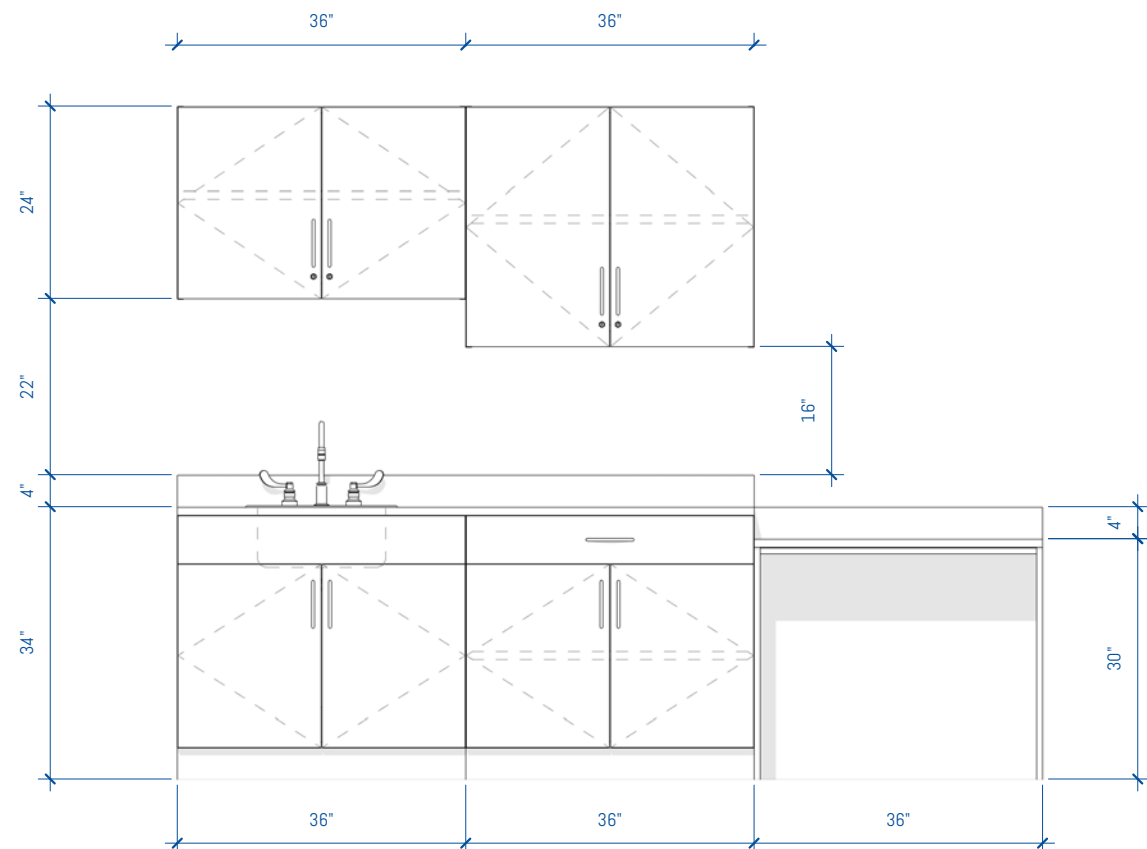
Exam Room Cabinets - 9' Wide - Option 7

SMS-03-V90-SSG-EX09-7-L



4 EXAM ROOM - LAM 9ft - OPTION 7
1/2" = 1'-0"

3 EXAM ROOM - LAM 9ft - OPTION 7
1/2" = 1'-0"



2 EXAM ROOM - LAM 9ft - OPTION 7 - FRONT
1/2" = 1'-0"

1 EXAM ROOM - LAM 9ft - OPTION 7 - SIDE
1/2" = 1'-0"

GENERAL NOTES

SUSTAINABILITY

- Particleboard and MDF fabricated from recycled wood waste material
- Cardboard packaging made from recycled materials
- Unusable pallets are recycled
- All aluminum scrap is recycled
- All adhesives used are water-based
- Products meet low VOC standards
- Powder coat paint is used on all metal surfaces
- Greenguard Gold Certified to provide safe, quality, environmentally friendly workspaces.
- FSC and OSHPD certified components are also available

CONSTRUCTION

- Cabinets are constructed of 3/4" thick industrial grade 40-50lb substrate, double-faced melamine
- All exposed edges are covered with 2mm PVC edge banding
- All panels are connected with hafele mini-fix cam hidden fastener system
- All cabinets are rail mounted for ease of install
- Work surfaces are constructed of 1 1/16" thick high-pressure laminate



MODULAR CASEWORK
ROOM SEGMENTS

Copyright 2017 Southwest Solutions Group. This material is proprietary and confidential and the disclosure, reproduction (by photocopy, film, blueprint or otherwise) or incorporation into any information retrieval system without first receiving written approval from Southwest Solutions Group is expressly prohibited by law.

Approved By

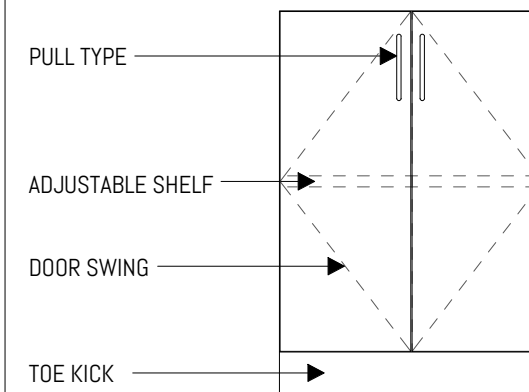
Date

Drawn by DHaynal

Salesperson SSG

Scale 1/2" = 1'-0"

LEGEND



RN DATE DESCRIPTION

SSG REVISION SCHEDULE

EXAM ROOM - LAM 9ft
- OPTION 7

SHEET NUMBER

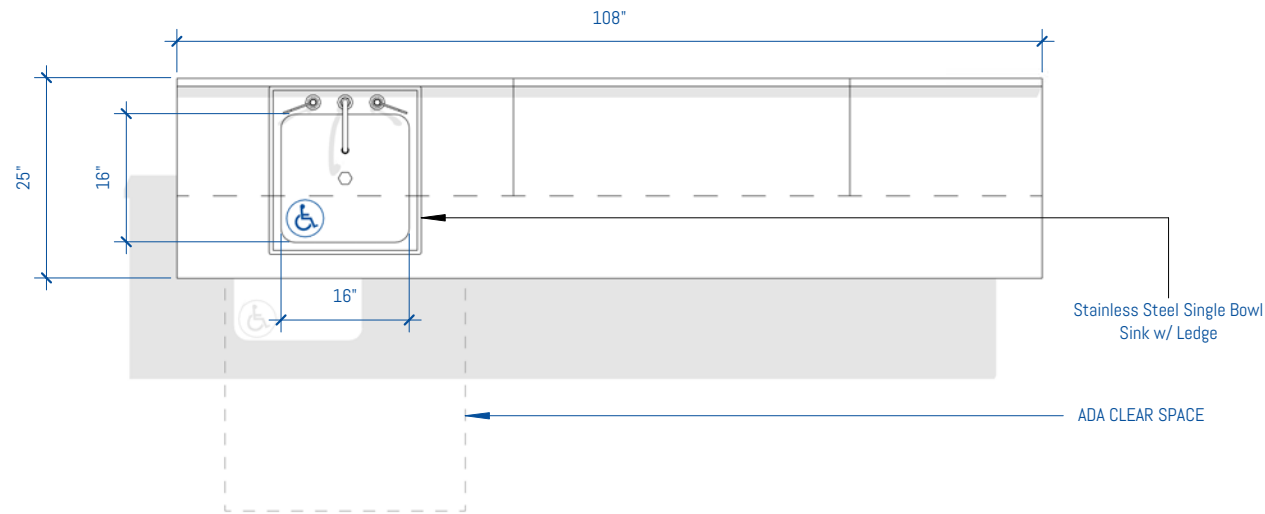
ER-23 of ER-30

FOR MORE INFORMATION

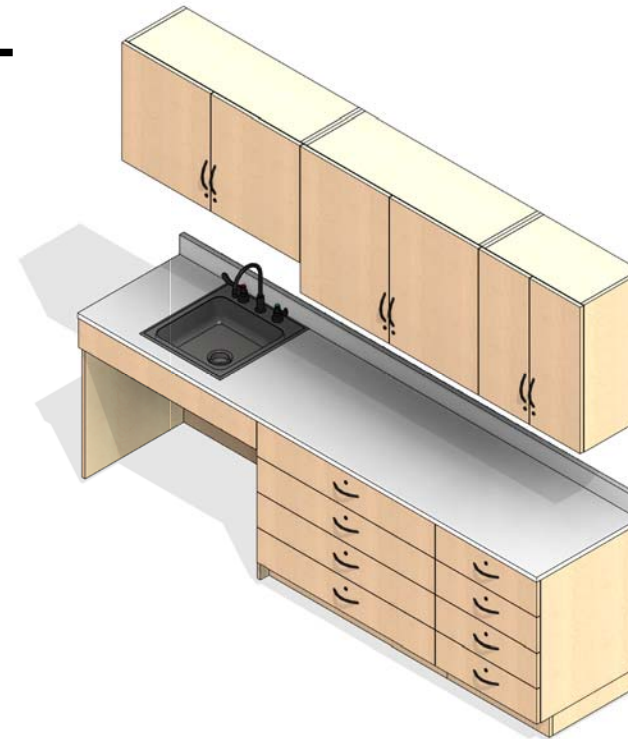
<https://bim.southwestsolutions.com>

Exam Room Cabinets - 9' Wide - Option 8

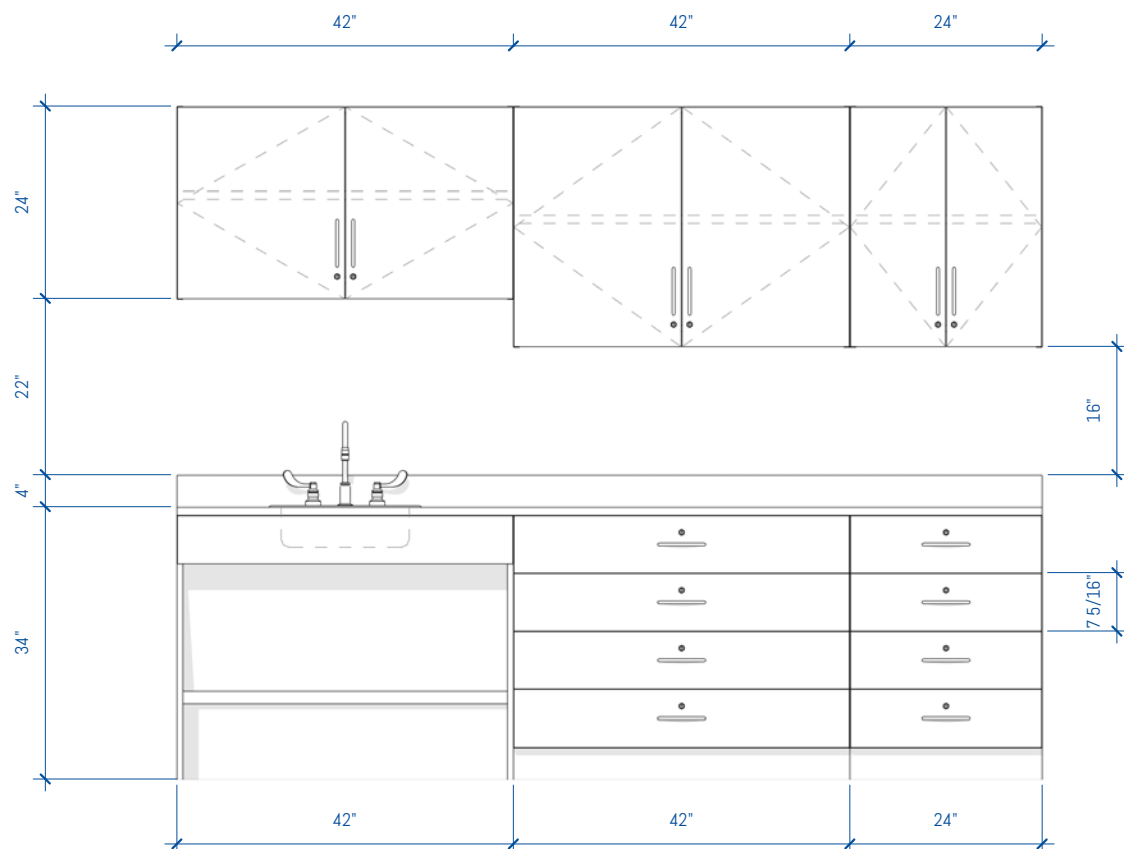
SMS-03-V90-SSG-EX09-8-L



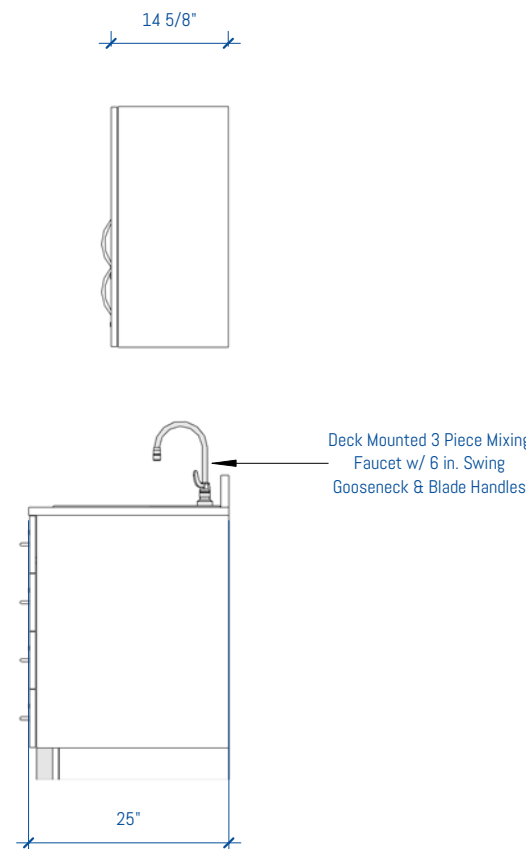
4 EXAM ROOM - LAM 9ft - OPTION 8
1/2" = 1'-0"



3 EXAM ROOM - LAM 9ft - OPTION 8



2 EXAM ROOM - LAM 9ft - OPTION 8 - FRONT
1/2" = 1'-0"



1 EXAM ROOM - LAM 9ft - OPTION 8 - SIDE
1/2" = 1'-0"

GENERAL NOTES

SUSTAINABILITY

- Particleboard and MDF fabricated from recycled wood waste material
- Cardboard packaging made from recycled materials
- Unusable pallets are recycled
- All aluminum scrap is recycled
- All adhesives used are water-based
- Products meet low VOC standards
- Powder coat paint is used on all metal surfaces
- Greenguard Gold Certified to provide safe, quality, environmentally friendly workspaces.
- FSC and OSHPD certified components are also available

CONSTRUCTION

- Cabinets are constructed of 3/4" thick industrial grade 40-50lb substrate, double-faced melamine
- All exposed edges are covered with 2mm PVC edge banding
- All panels are connected with hafele mini-fix cam hidden fastener system
- All cabinets are rail mounted for ease of install
- Work surfaces are constructed of 1 1/16" thick high-pressure laminate



MODULAR CASEWORK
ROOM SEGMENTS

Copyright 2017 Southwest Solutions Group. This material is proprietary and confidential and the disclosure, reproduction (by photocopy, film, blueprint or otherwise) or incorporation into any information retrieval system without first receiving written approval from Southwest Solutions Group is expressly prohibited by law.

Approved By

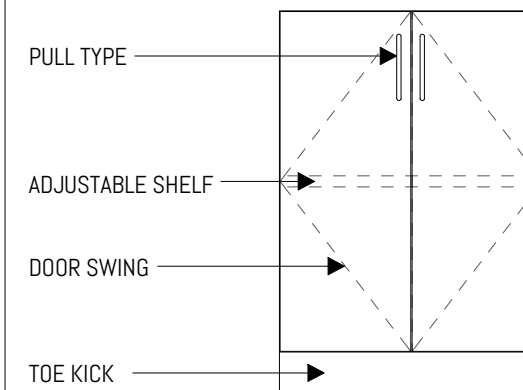
Date

Drawn by DHaynal

Salesperson SSG

Scale 1/2" = 1'-0"

LEGEND



RN	DATE	DESCRIPTION
SSG REVISION SCHEDULE		

EXAM ROOM - LAM 9ft
- OPTION 8

SHEET NUMBER

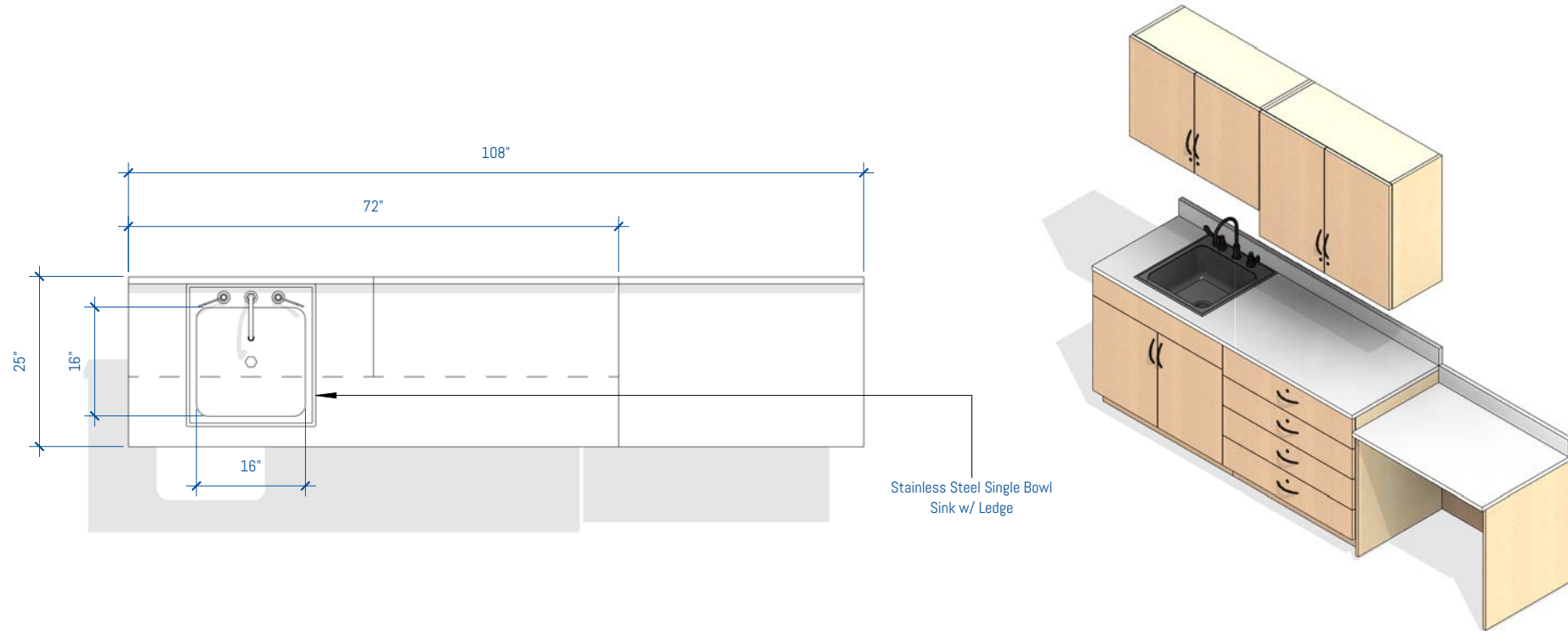
ER-24 of ER-30

FOR MORE INFORMATION

<https://bim.southwestsolutions.com>

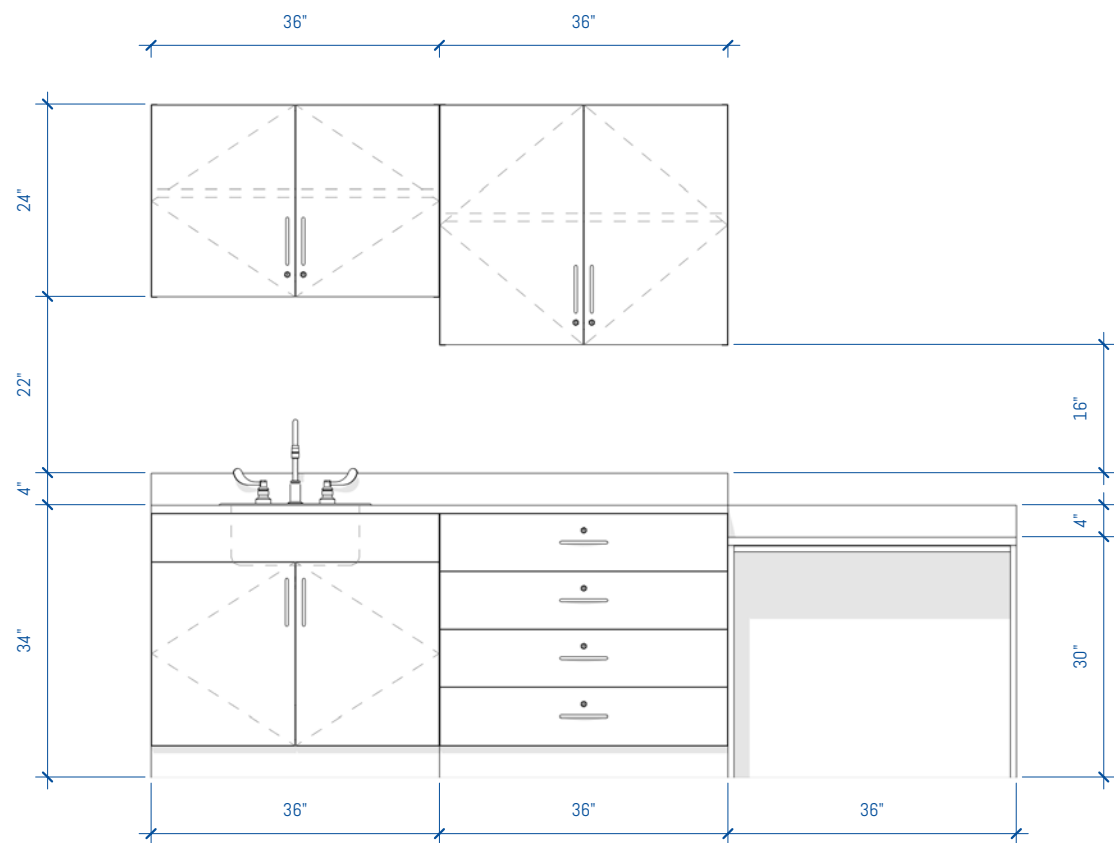
Exam Room Cabinets - 9' Wide - Option 9

SMS-03-V90-SSG-EX09-9-L

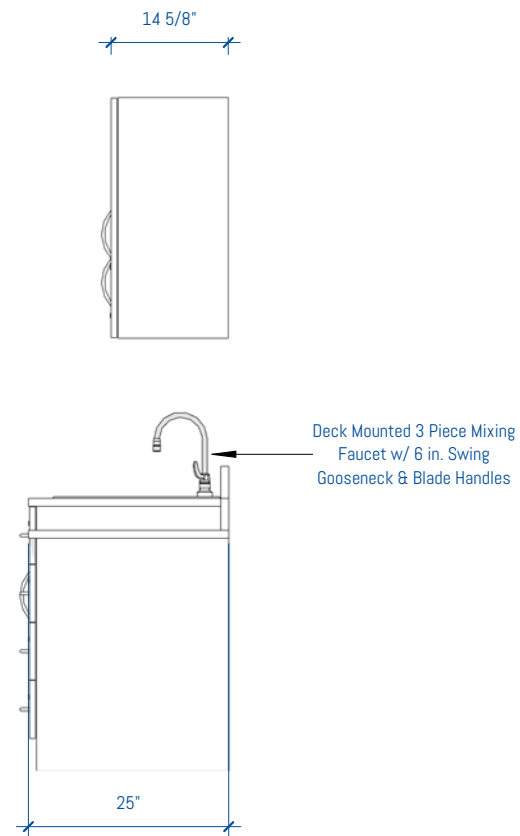


4 EXAM ROOM - LAM 9ft - OPTION 9
1/2" = 1'-0"

3 EXAM ROOM - LAM 9ft - OPTION 9



2 EXAM ROOM - LAM 9ft - OPTION 9 - FRONT
1/2" = 1'-0"



1 EXAM ROOM - LAM 9ft - OPTION 9 - SIDE
1/2" = 1'-0"

GENERAL NOTES

SUSTAINABILITY

- Particleboard and MDF fabricated from recycled wood waste material
- Cardboard packaging made from recycled materials
- Unusable pallets are recycled
- All aluminum scrap is recycled
- All adhesives used are water-based
- Products meet low VOC standards
- Powder coat paint is used on all metal surfaces
- Greenguard Gold Certified to provide safe, quality, environmentally friendly workspaces.
- FSC and OSHPD certified components are also available

CONSTRUCTION

- Cabinets are constructed of 3/4" thick industrial grade 40-50lb substrate, double-faced melamine
- All exposed edges are covered with 2mm PVC edge banding
- All panels are connected with hafele mini-fix cam hidden fastener system
- All cabinets are rail mounted for ease of install
- Work surfaces are constructed of 1 1/16" thick high-pressure laminate



MODULAR CASEWORK
ROOM SEGMENTS

Copyright 2017 Southwest Solutions Group. This material is proprietary and confidential and the disclosure, reproduction (by photocopy, film, blueprint or otherwise) or incorporation into any information retrieval system without first receiving written approval from Southwest Solutions Group is expressly prohibited by law.

Approved By

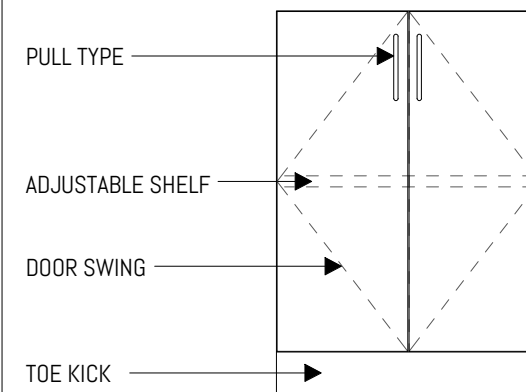
Date

Drawn by DHaynal

Salesperson SSG

Scale 1/2" = 1'-0"

LEGEND



RN DATE DESCRIPTION

SSG REVISION SCHEDULE

EXAM ROOM - LAM 9ft
- OPTION 9

SHEET NUMBER

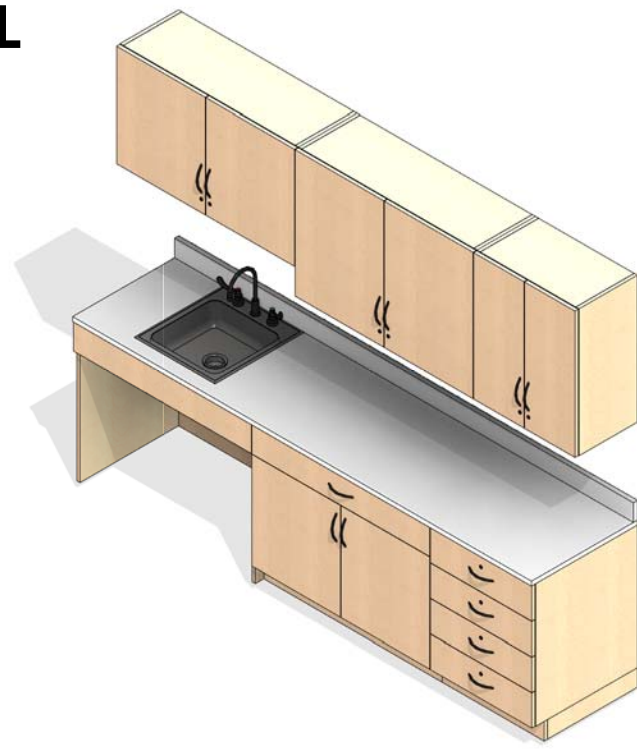
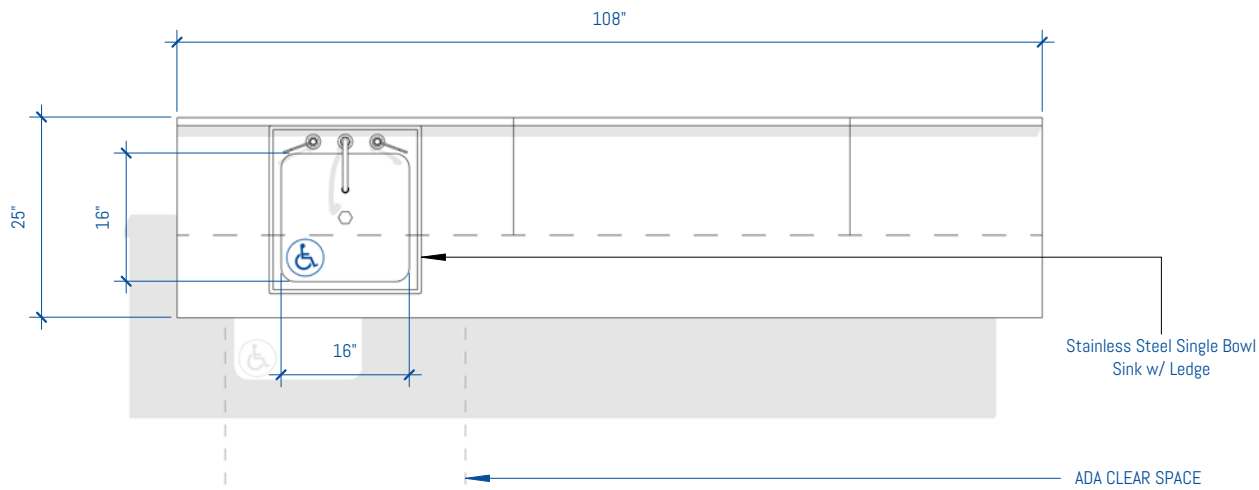
ER-25 of ER-30

FOR MORE INFORMATION

<https://bim.southwestsolutions.com>

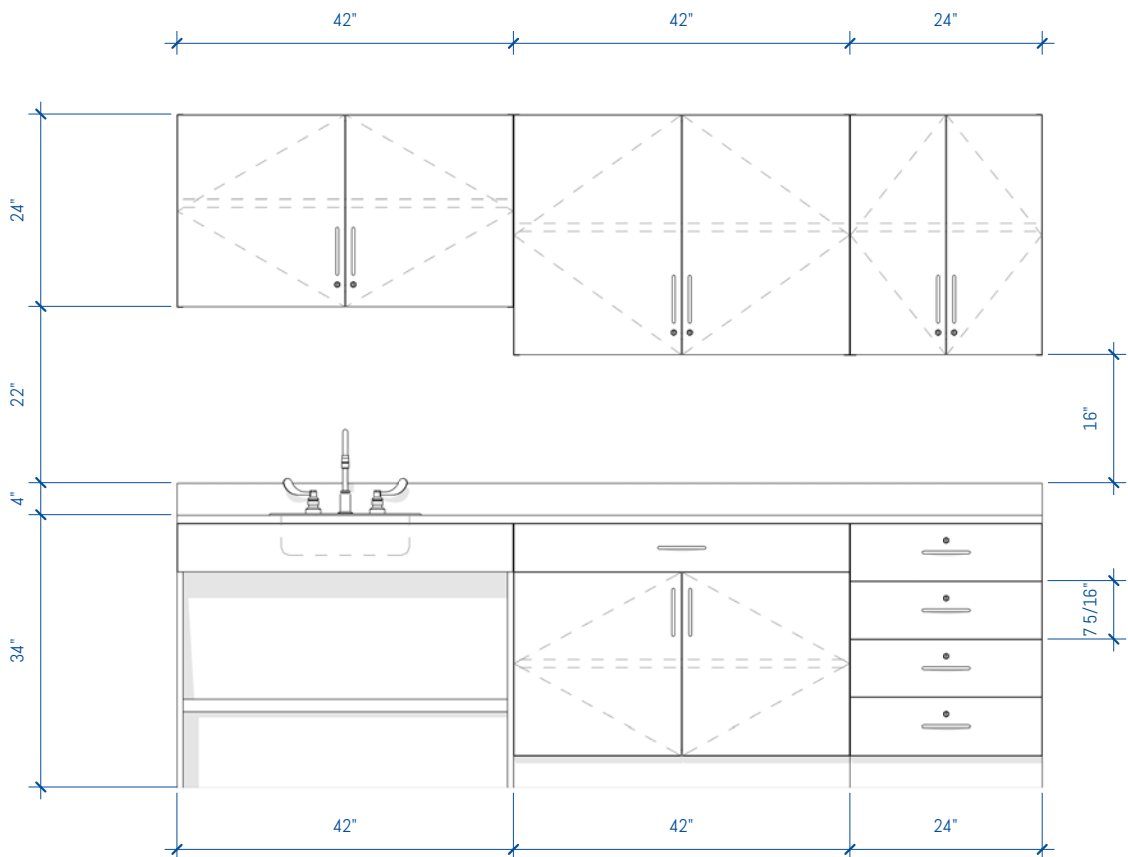
Exam Room Cabinets - 9' Wide - Option 10

SMS-03-V90-SSG-EX09-10-L

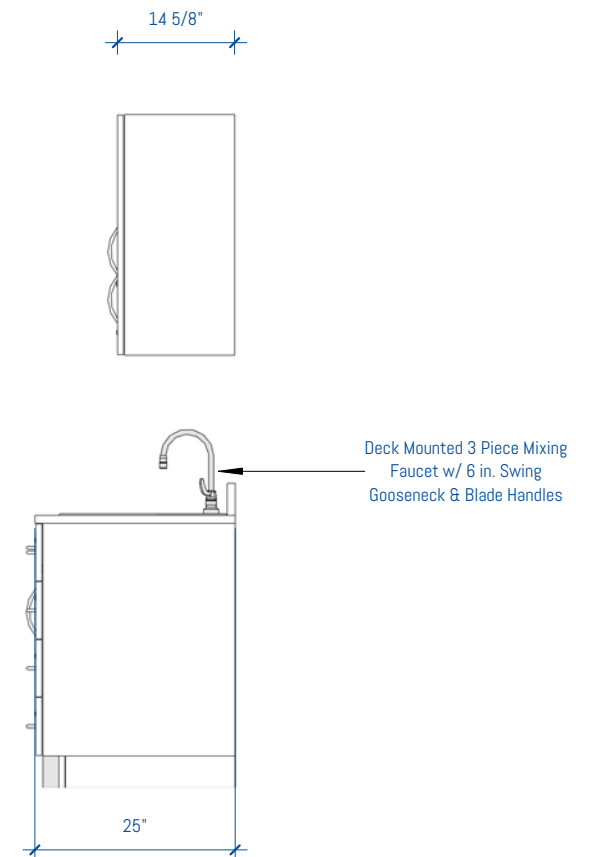


4 EXAM ROOM - LAM 9ft - OPTION 10
1/2" = 1'-0"

3 EXAM ROOM - LAM 9ft - OPTION 10
1/2" = 1'-0"



2 EXAM ROOM - LAM 9ft - OPTION 10 - FRONT
1/2" = 1'-0"



1 EXAM ROOM - LAM 9ft - OPTION 10 - SIDE
1/2" = 1'-0"

GENERAL NOTES

SUSTAINABILITY

- Particleboard and MDF fabricated from recycled wood waste material
- Cardboard packaging made from recycled materials
- Unusable pallets are recycled
- All aluminum scrap is recycled
- All adhesives used are water-based
- Products meet low VOC standards
- Powder coat paint is used on all metal surfaces
- Greenguard Gold Certified to provide safe, quality, environmentally friendly workspaces.
- FSC and OSHPD certified components are also available

CONSTRUCTION

- Cabinets are constructed of 3/4" thick industrial grade 40-50lb substrate, double-faced melamine
- All exposed edges are covered with 2mm PVC edge banding
- All panels are connected with hafele mini-fix cam hidden fastener system
- All cabinets are rail mounted for ease of install
- Work surfaces are constructed of 1 1/16" thick high-pressure laminate



MODULAR CASEWORK
ROOM SEGMENTS

Copyright 2017 Southwest Solutions Group. This material is proprietary and confidential and the disclosure, reproduction (by photocopy, film, blueprint or otherwise) or incorporation into any information retrieval system without first receiving written approval from Southwest Solutions Group is expressly prohibited by law.

Approved By

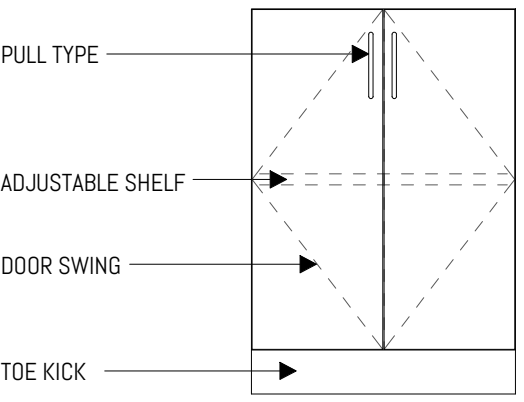
Date

Drawn by DHaynal

Salesperson SSG

Scale 1/2" = 1'-0"

LEGEND



RN	DATE	DESCRIPTION
SSG REVISION SCHEDULE		

EXAM ROOM - LAM 9ft
- OPTION 10

SHEET NUMBER

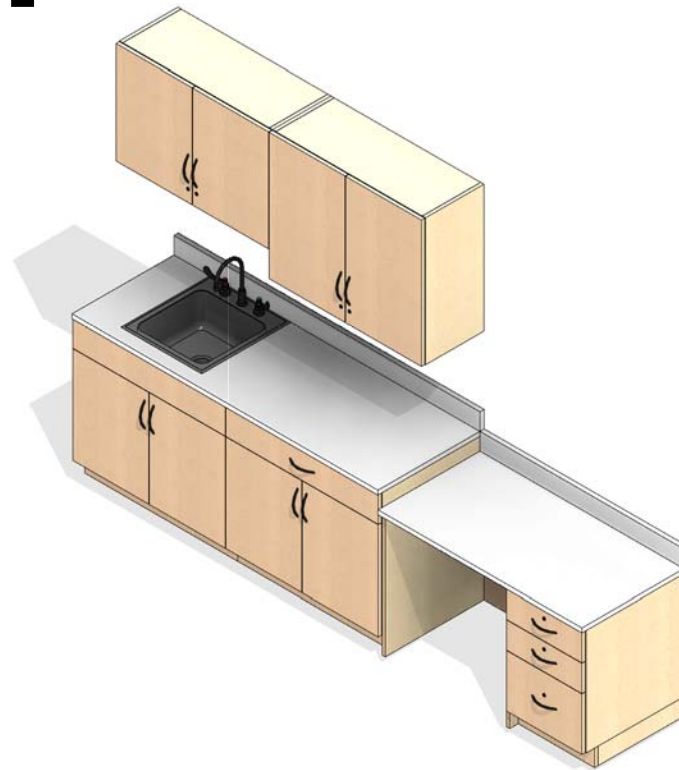
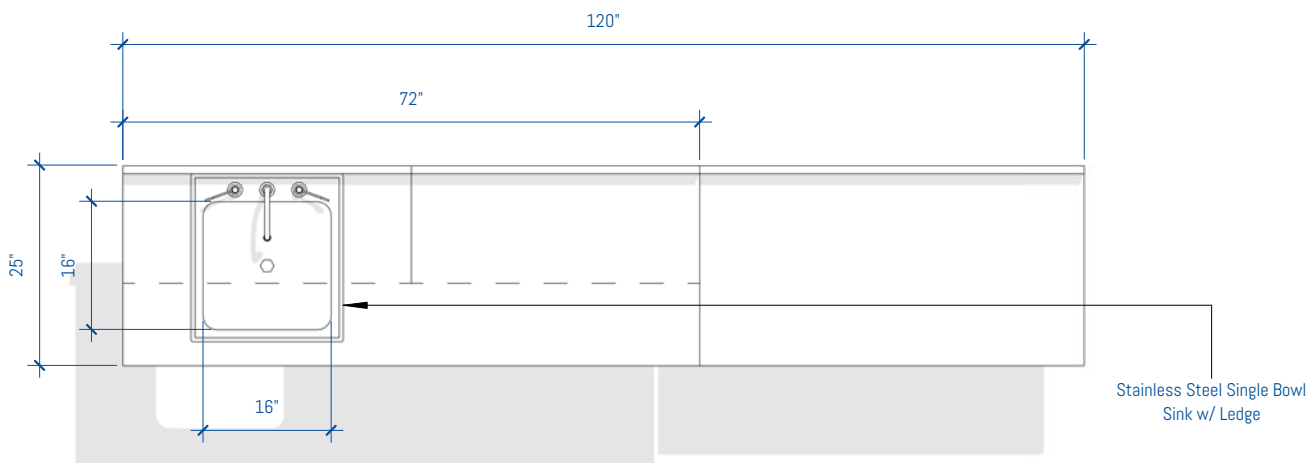
ER-26 of ER-30

FOR MORE INFORMATION

<https://bim.southwestsolutions.com>

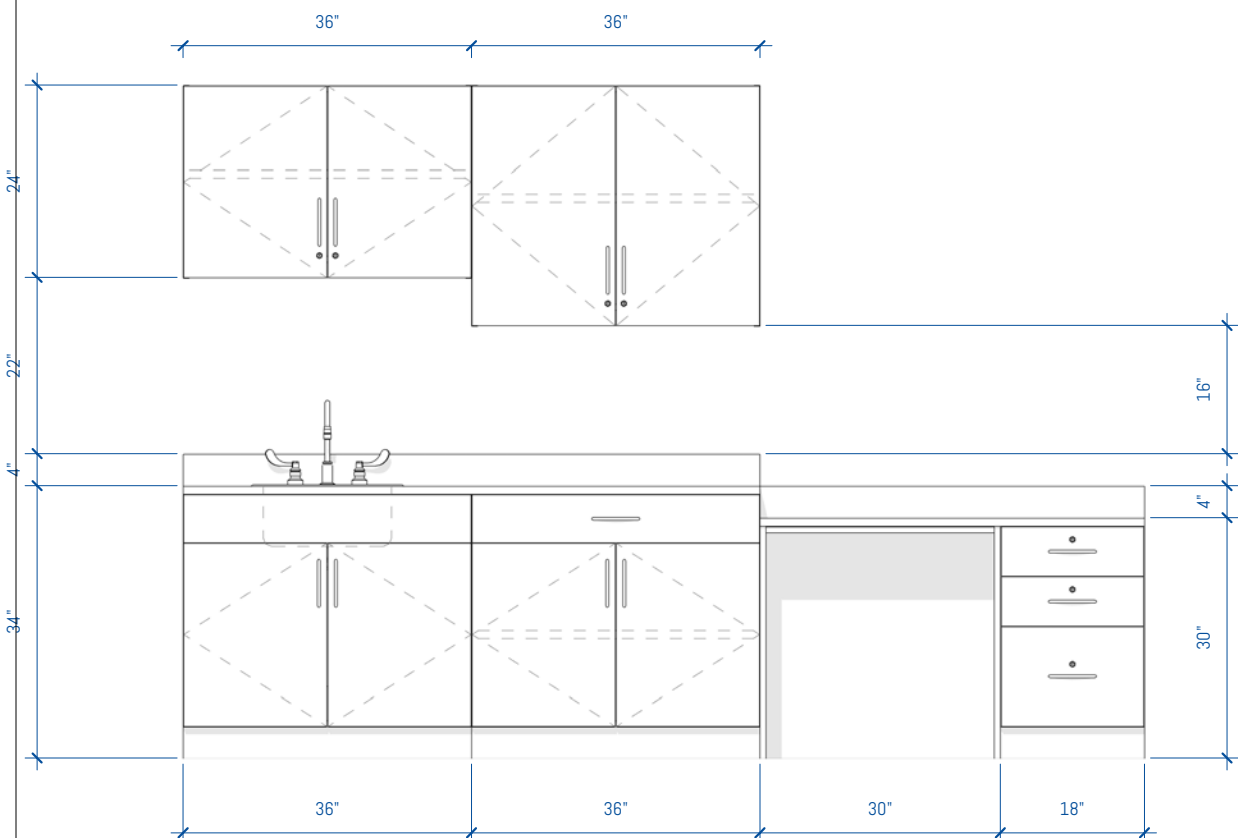
Exam Room Cabinets - 10' Wide - Option 1

SMS-03-V90-SSG-EX10-1-L

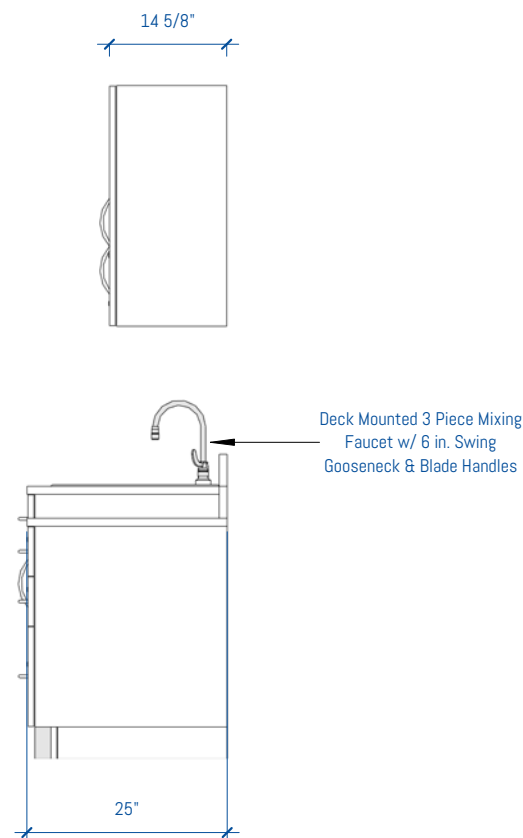


4 EXAM ROOM - LAM 10ft - OPTION 1
1/2" = 1'-0"

3 EXAM ROOM - LAM 10ft - OPTION 1



2 EXAM ROOM - LAM 10ft - OPTION 1 - FRONT
1/2" = 1'-0"



1 EXAM ROOM - LAM 10ft - OPTION 1 - SIDE
1/2" = 1'-0"

GENERAL NOTES

SUSTAINABILITY

- Particleboard and MDF fabricated from recycled wood waste material
- Cardboard packaging made from recycled materials
- Unusable pallets are recycled
- All aluminum scrap is recycled
- All adhesives used are water-based
- Products meet low VOC standards
- Powder coat paint is used on all metal surfaces
- Greenguard Gold Certified to provide safe, quality, environmentally friendly workspaces.
- FSC and OSHPD certified components are also available

CONSTRUCTION

- Cabinets are constructed of 3/4" thick industrial grade 40-50lb substrate, double-faced melamine
- All exposed edges are covered with 2mm PVC edge banding
- All panels are connected with hafele mini-fix cam hidden fastener system
- All cabinets are rail mounted for ease of install
- Work surfaces are constructed of 1 1/16" thick high-pressure laminate



MODULAR CASEWORK
ROOM SEGMENTS

Copyright 2017 Southwest Solutions Group. This material is proprietary and confidential and the disclosure, reproduction (by photocopy, film, blueprint or otherwise) or incorporation into any information retrieval system without first receiving written approval from Southwest Solutions Group is expressly prohibited by law.

Approved By

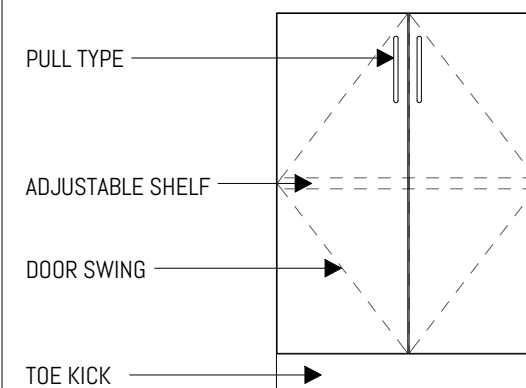
Date

Drawn by DHaynal

Salesperson SSG

Scale 1/2" = 1'-0"

LEGEND



RN DATE DESCRIPTION

SSG REVISION SCHEDULE

EXAM ROOM - LAM
10ft - OPTION 1

SHEET NUMBER

ER-27 of ER-30

FOR MORE INFORMATION

<https://bim.southwestsolutions.com>

Exam Room Cabinets - 10' Wide - Option 2

SMS-03-V90-SSG-EX10-2-L

GENERAL NOTES



SUSTAINABILITY

- Particleboard and MDF fabricated from recycled wood waste material
- Cardboard packaging made from recycled materials
- Unusable pallets are recycled
- All aluminum scrap is recycled
- All adhesives used are water-based
- Products meet low VOC standards
- Powder coat paint is used on all metal surfaces
- Greenguard Gold Certified to provide safe, quality, environmentally friendly workspaces.
- FSC and OSHPD certified components are also available

CONSTRUCTION

- Cabinets are constructed of 3/4" thick industrial grade 40-50lb substrate, double-faced melamine
- All exposed edges are covered with 2mm PVC edge banding
- All panels are connected with hafele mini-fix cam hidden fastener system
- All cabinets are rail mounted for ease of install
- Work surfaces are constructed of 1 1/16" thick high-pressure laminate

MODULAR CASEWORK
ROOM SEGMENTS

Copyright 2017 Southwest Solutions Group. This material is proprietary and confidential and the disclosure, reproduction (by photocopy, film, blueprint or otherwise) or incorporation into any information retrieval system without first receiving written approval from Southwest Solutions Group is expressly prohibited by law.

Approved By

Date

Drawn by DHaynal

Salesperson SSG

Scale 1/2" = 1'-0"

RN DATE DESCRIPTION

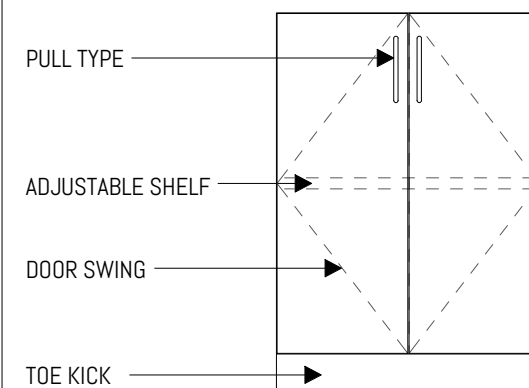
SSG REVISION SCHEDULE

EXAM ROOM - LAM
10ft - OPTION 2

SHEET NUMBER

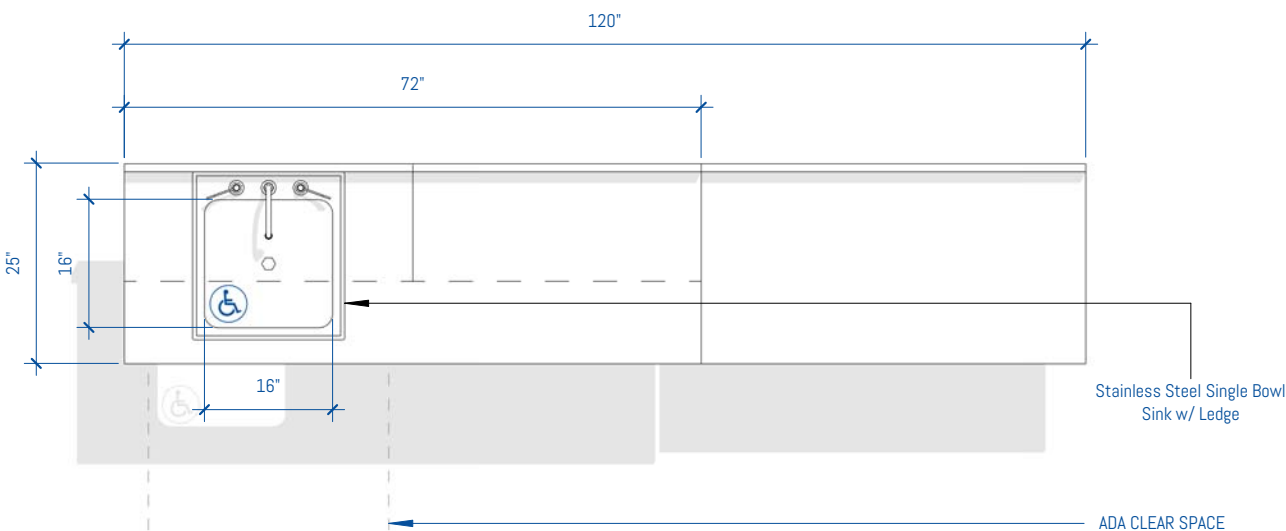
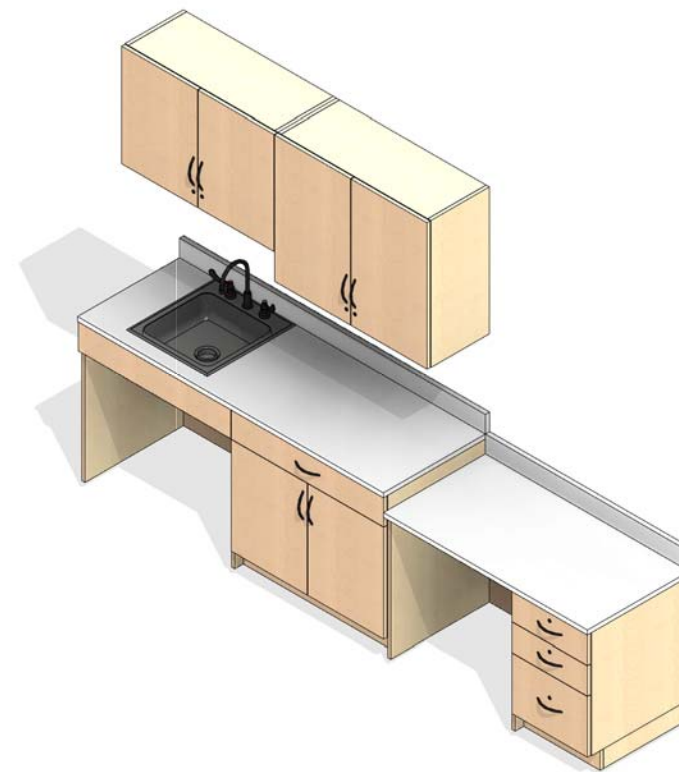
ER-28 of ER-30

LEGEND



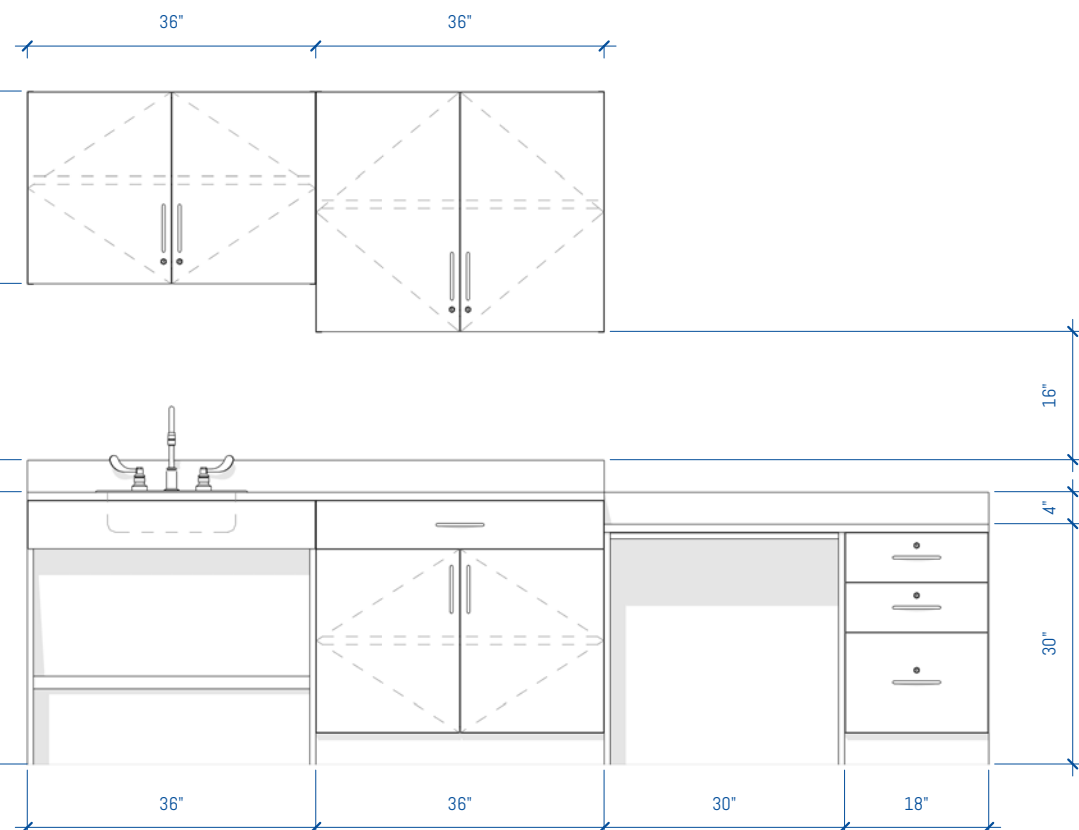
FOR MORE INFORMATION

<https://bim.southwestsolutions.com>

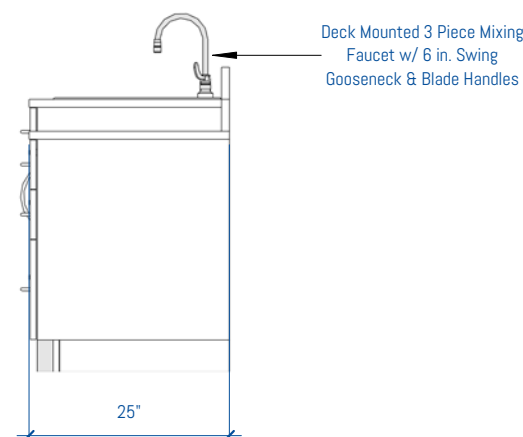
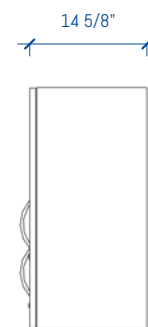


4 EXAM ROOM - LAM 10ft - OPTION 2
1/2" = 1'-0"

3 EXAM ROOM - LAM 10ft - OPTION 2



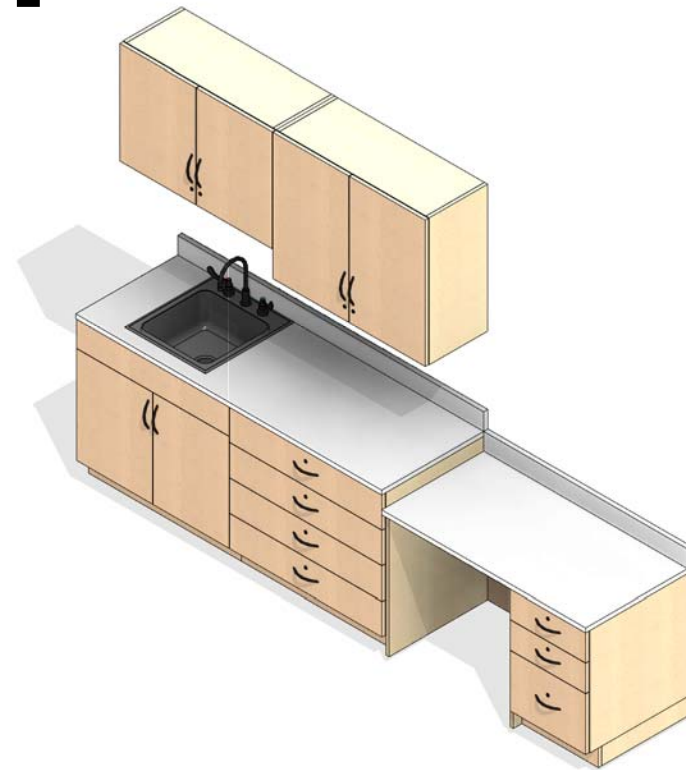
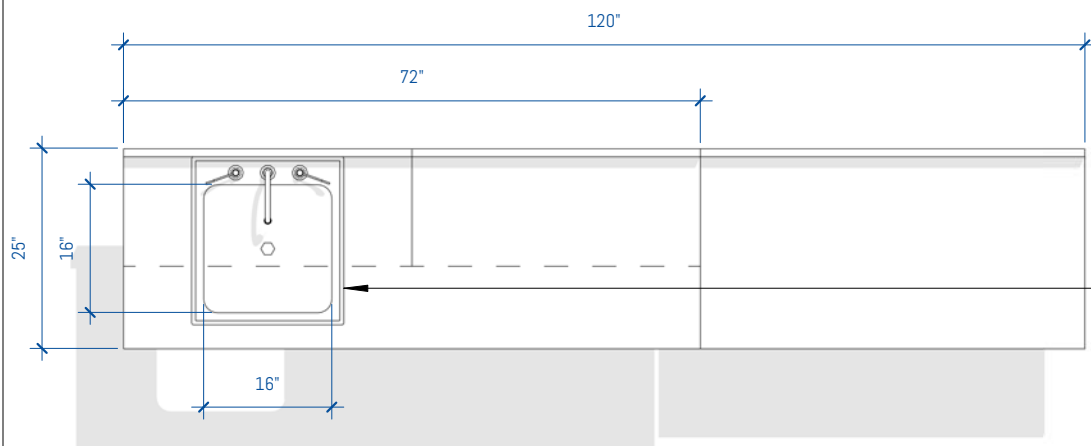
2 EXAM ROOM - LAM 10ft - OPTION 2 - FRONT
1/2" = 1'-0"



1 EXAM ROOM - LAM 10ft - OPTION 2 - SIDE
1/2" = 1'-0"

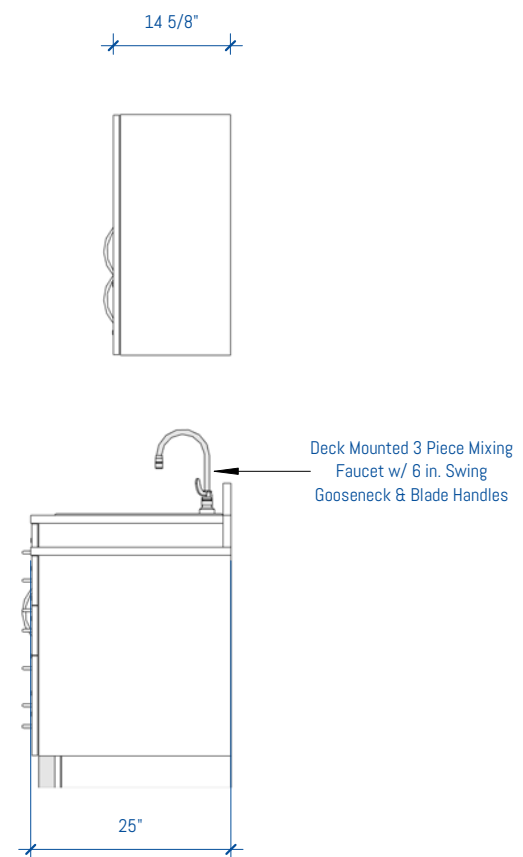
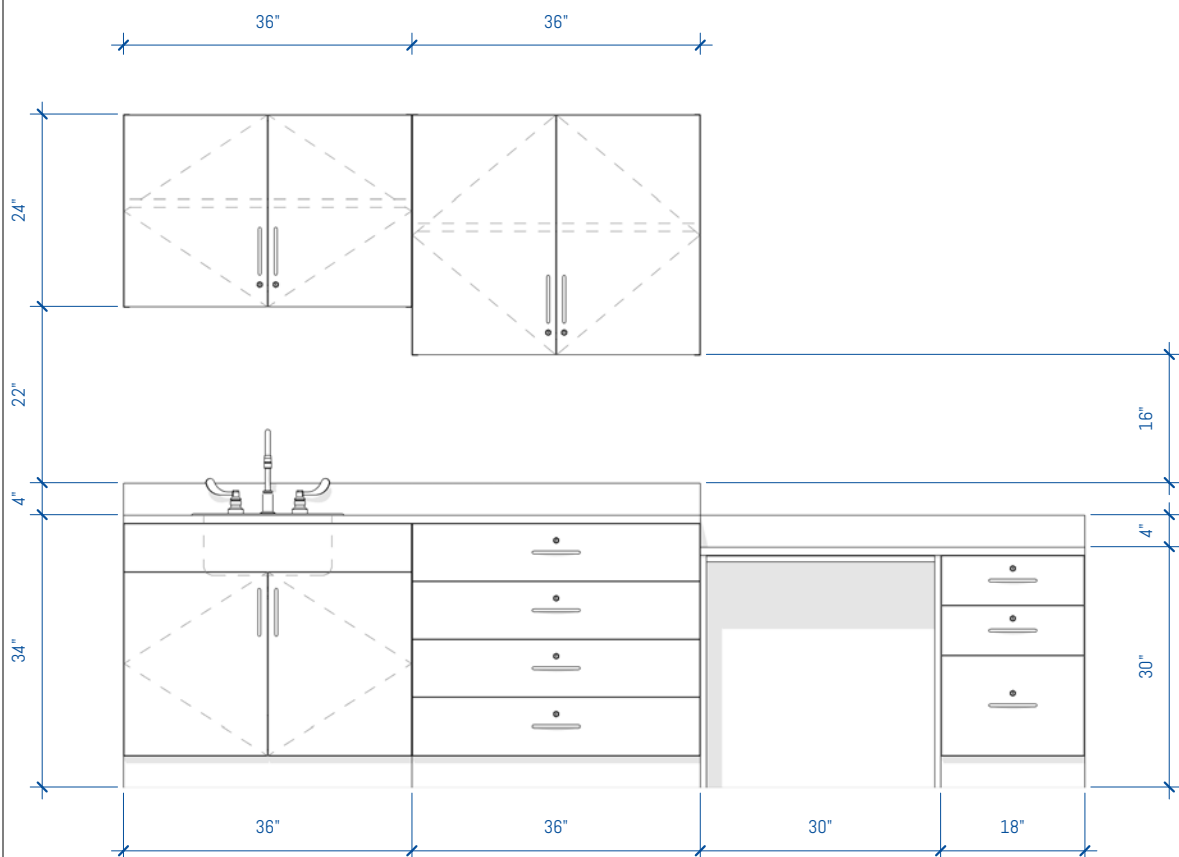
Exam Room Cabinets - 10' Wide - Option 3

SMS-03-V90-SSG-EX10-3-L



4 EXAM ROOM - LAM 10ft - OPTION 3
1/2" = 1'-0"

3 EXAM ROOM - LAM 10ft - OPTION 3



2 EXAM ROOM - LAM 10ft - OPTION 3 - FRONT
1/2" = 1'-0"

1 EXAM ROOM - LAM 10ft - OPTION 3 - SIDE
1/2" = 1'-0"

GENERAL NOTES

SUSTAINABILITY

- Particleboard and MDF fabricated from recycled wood waste material
- Cardboard packaging made from recycled materials
- Unusable pallets are recycled
- All aluminum scrap is recycled
- All adhesives used are water-based
- Products meet low VOC standards
- Powder coat paint is used on all metal surfaces
- Greenguard Gold Certified to provide safe, quality, environmentally friendly workspaces.
- FSC and OSHPD certified components are also available

CONSTRUCTION

- Cabinets are constructed of 3/4" thick industrial grade 40-50lb substrate, double-faced melamine
- All exposed edges are covered with 2mm PVC edge banding
- All panels are connected with hafele mini-fix cam hidden fastener system
- All cabinets are rail mounted for ease of install
- Work surfaces are constructed of 1 1/16" thick high-pressure laminate



MODULAR CASEWORK
ROOM SEGMENTS

Copyright 2017 Southwest Solutions Group. This material is proprietary and confidential and the disclosure, reproduction (by photocopy, film, blueprint or otherwise) or incorporation into any information retrieval system without first receiving written approval from Southwest Solutions Group is expressly prohibited by law.

Approved By

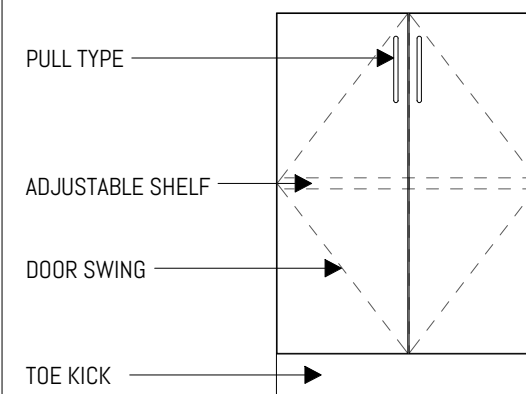
Date

Drawn by DHaynal

Salesperson SSG

Scale 1/2" = 1'-0"

LEGEND



RN DATE DESCRIPTION

SSG REVISION SCHEDULE

EXAM ROOM - LAM
10ft - OPTION 3

SHEET NUMBER

ER-29 of ER-30

FOR MORE INFORMATION

<https://bim.southwestsolutions.com>

Exam Room Cabinets - 10' Wide - Option 4

SMS-03-V90-SSG-EX10-4-L

GENERAL NOTES



SUSTAINABILITY

- Particleboard and MDF fabricated from recycled wood waste material
- Cardboard packaging made from recycled materials
- Unusable pallets are recycled
- All aluminum scrap is recycled
- All adhesives used are water-based
- Products meet low VOC standards
- Powder coat paint is used on all metal surfaces
- Greenguard Gold Certified to provide safe, quality, environmentally friendly workspaces.
- FSC and OSHPD certified components are also available

CONSTRUCTION

- Cabinets are constructed of 3/4" thick industrial grade 40-50lb substrate, double-faced melamine
- All exposed edges are covered with 2mm PVC edge banding
- All panels are connected with hafele mini-fix cam hidden fastener system
- All cabinets are rail mounted for ease of install
- Work surfaces are constructed of 1 1/16" thick high-pressure laminate

MODULAR CASEWORK
ROOM SEGMENTS

Copyright 2017 Southwest Solutions Group. This material is proprietary and confidential and the disclosure, reproduction (by photocopy, film, blueprint or otherwise) or incorporation into any information retrieval system without first receiving written approval from Southwest Solutions Group is expressly prohibited by law.

Approved By

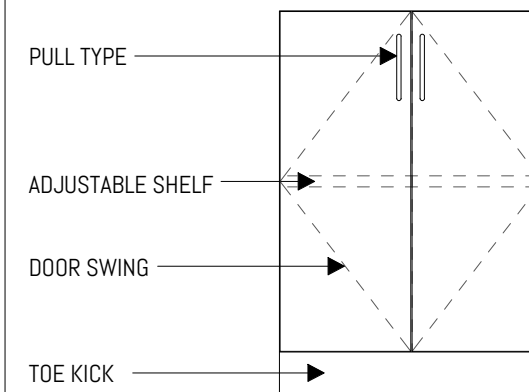
Date

Drawn by DHaynal

Salesperson SSG

Scale 1/2" = 1'-0"

LEGEND



RN DATE DESCRIPTION

SSG REVISION SCHEDULE

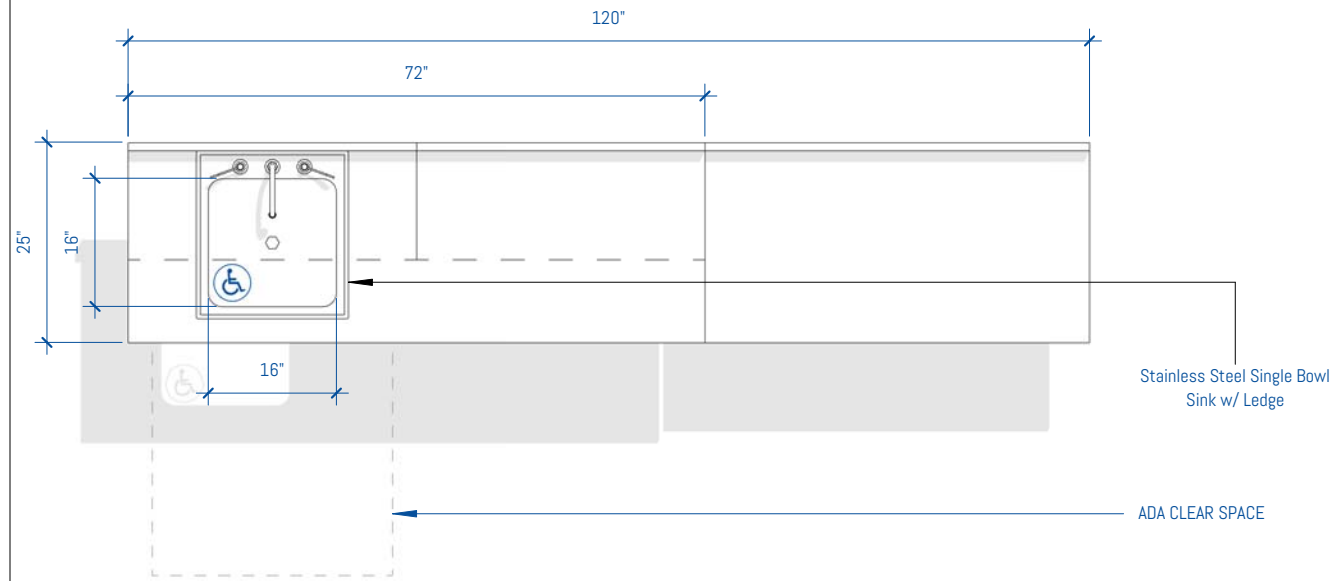
EXAM ROOM - LAM
10ft - OPTION 4

SHEET NUMBER

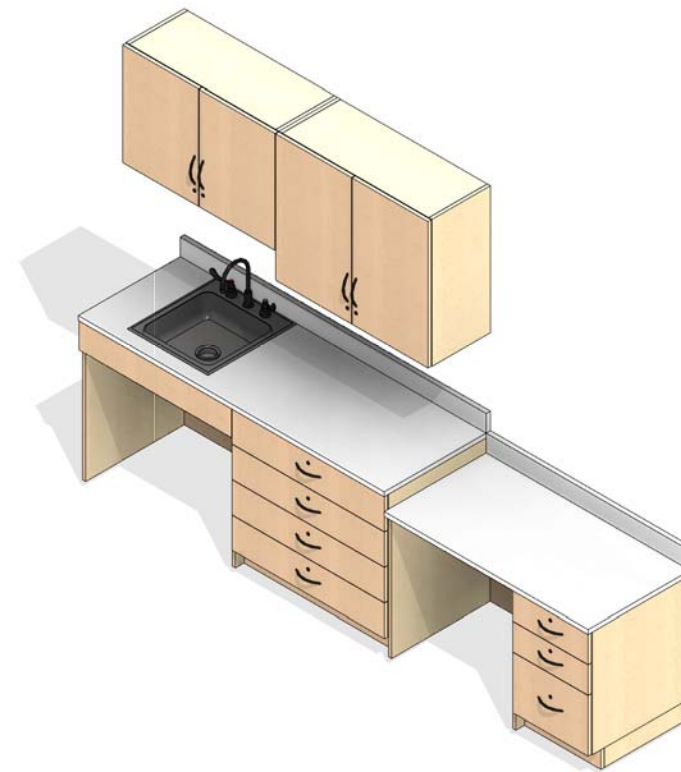
ER-30 of ER-30

FOR MORE INFORMATION

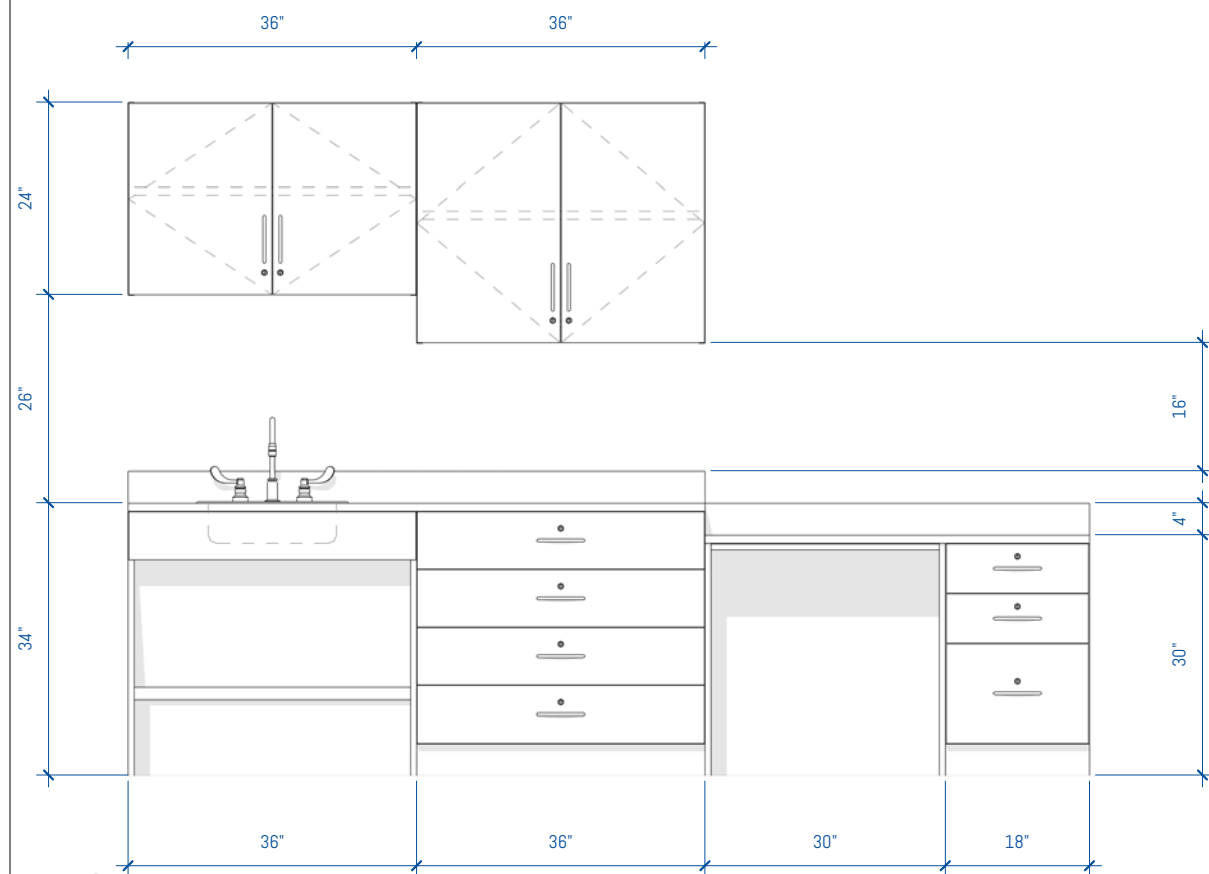
<https://bim.southwestsolutions.com>



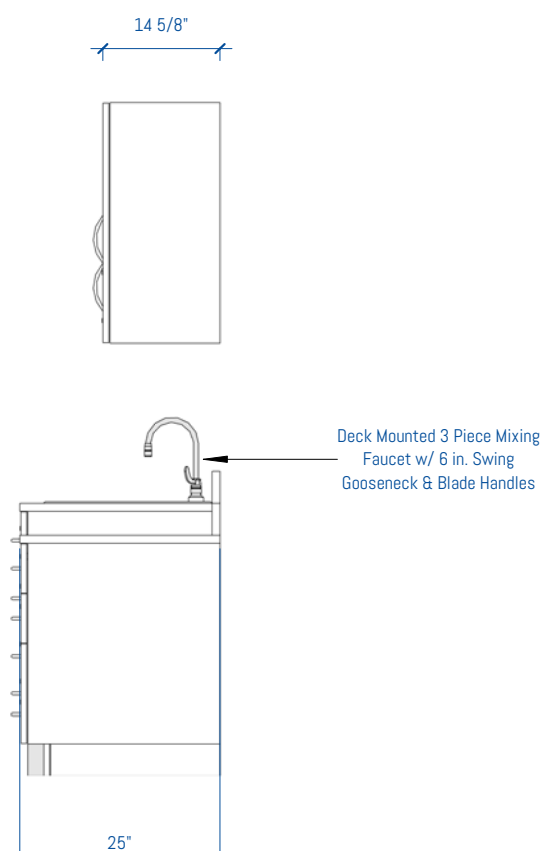
4 EXAM ROOM - LAM 10ft - OPTION 4
1/2" = 1'-0"



3 EXAM ROOM - LAM 10ft - OPTION 4
1/2" = 1'-0"



2 EXAM ROOM - LAM 10ft - OPTION 4 - FRONT
1/2" = 1'-0"



1 EXAM ROOM - LAM 10ft - OPTION 4 - SIDE
1/2" = 1'-0"