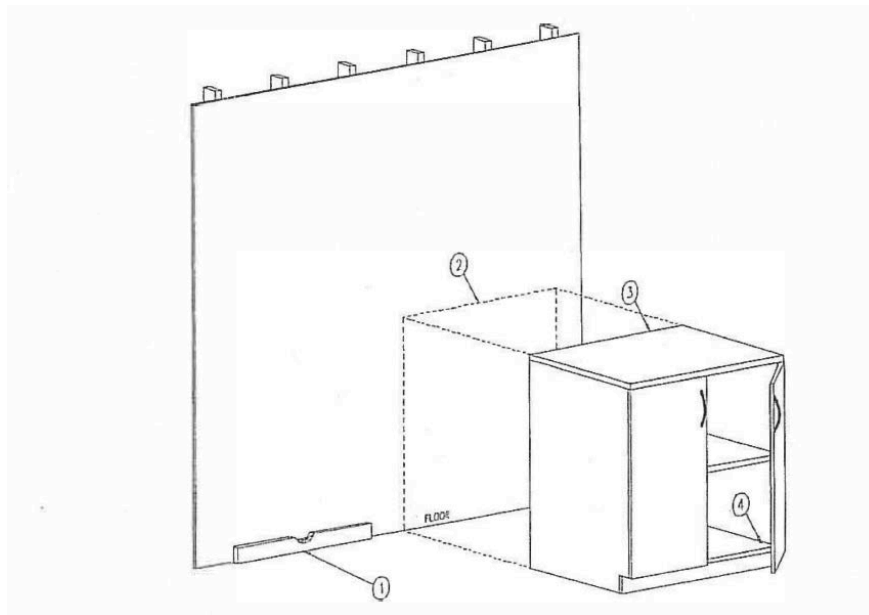


Exam Room Cabinets Assembly Guide

SMS-03-V90-SSG-EX

- (1) Using a level, find the highest point on the floor of the cabinet run.
- (2) Layout the cabinet(s) location(s) on the wall using vertical lines to mark the outside of the cabinet(s).
- (3) Start the installation with the base cabinet that will be located on the highest point on the floor.
- (4) Using a level, level the cabinet by making the proper adjustments needed to the levelers with a $5/32$ " (4mm) allen wrench through the $19/32$ " (15mm) diameter pre-drilled holes located in the cabinet base.
- (5) After the first cabinet is in place and leveled, install the next cabinet. Adjust the levelers where the side panels match the same height of the previously installed cabinet, leaving no gaps between.



Exam Room Cabinets Assembly Guide

SMS-03-V90-SSG-EX

Installing Wall Mounted Overhead Cabinets and Modules

- (1) Measure from the floor to the desired location of the cabinet top.
- (2) Measure down 2" and mark, this is the centerline for the mounting rail (CLB-FR8)
- (3) Using a level, draw a horizontal line the length of the cabinet run.
- (4) Layout the cabinet(s) location(s) on the wall using vertical lines to mark the outside of each cabinet.
**Note: Recess the mounting rail 1" in from the finished cabinet end panel.
- (5) Temporarily attach the mounting rail (CLB-FR8) to the wall using a fastener at each end.
- (6) Using a stud finder, mark the locations of all the studs.
- (7) Remove the mounting rail (CLB-FR8) from the wall.
- (8) Permanently attach the mounting rail (CLB-FR8) to the wall utilizing the appropriate fastener or anchor for the type of wall construction or based on any local or state codes.
- (9) Hook suspension brackets are factory installed on the cabinets. When the cabinet is ready to be mounted, raise the cabinet until the hooks are above the mounting rail and push the cabinet against the wall and set in place on the mounting rail.
- (10) Level the cabinet by using the adjustment screws located through the two holes at the top and on each side of the cabinet back panel. The top adjustment screw moves the cabinet in and out. The bottom adjustment screw moves the cabinet up and down.
- (11) Additionally a screw or anchor can be placed through the back panel and into the wall at a stud location to prevent the cabinet from being dislodged from the mounting rail.



Exam Room Cabinets Assembly Guide

SMS-03-V90-SSG-EX

