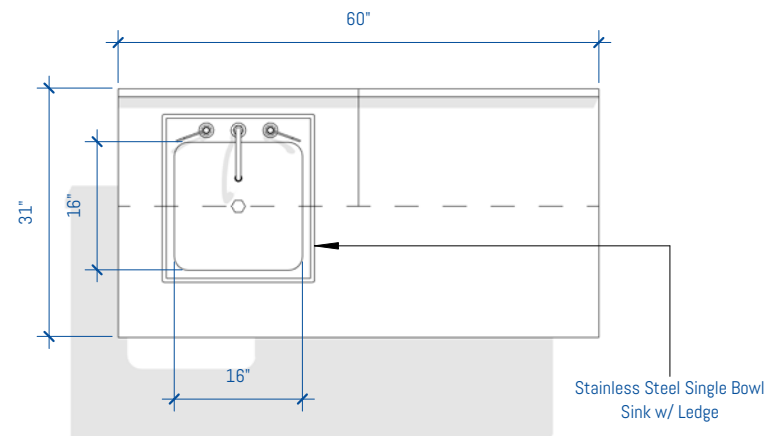
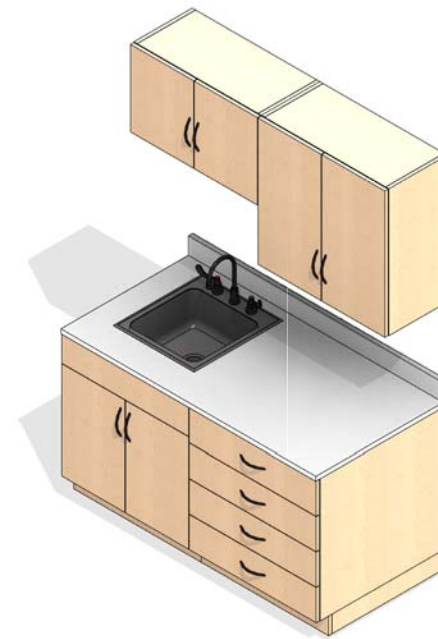


Break Room Cabinets - 5' Wide - Option 1

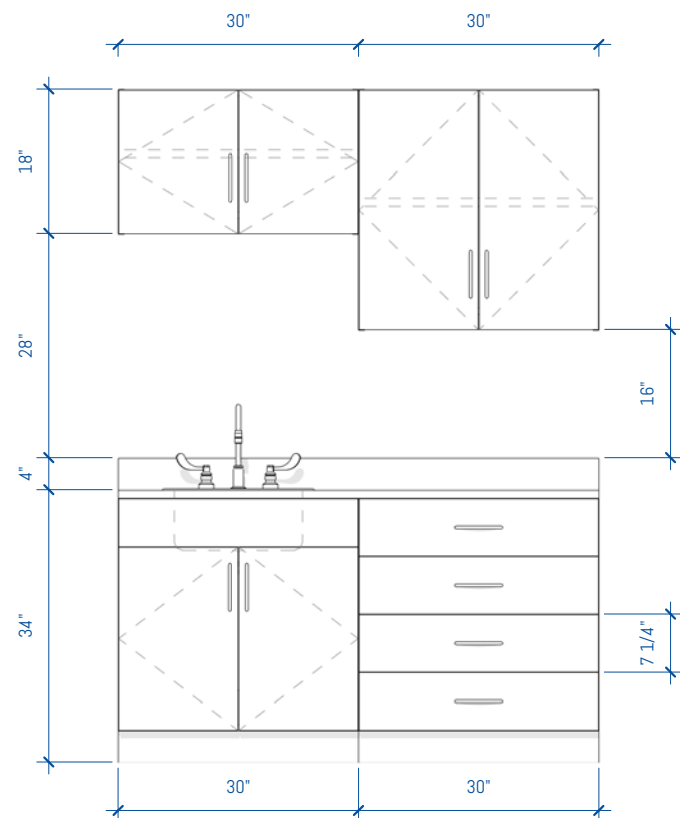
SMS-03-V90-SSG-BR05-1-L



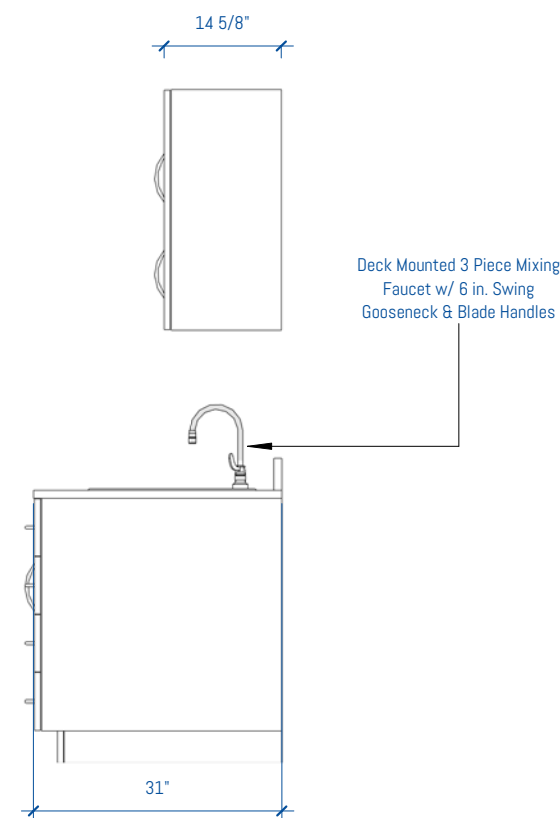
4 BREAK ROOM - LAM 5ft - OPTION 1
1/2" = 1'-0"



3 BREAK ROOM - LAM 5ft - OPTION 1



2 BREAKROOM - LAM 5ft - OPTION 1 - FRONT
1/2" = 1'-0"



1 BREAKROOM - LAM 5ft - OPTION 1 - SIDE
1/2" = 1'-0"

GENERAL NOTES

SUSTAINABILITY

- Particleboard and MDF fabricated from recycled wood waste material
- Cardboard packaging made from recycled materials
- Unusable pallets are recycled
- All aluminum scrap is recycled
- All adhesives used are water-based
- Products meet low VOC standards
- Powder coat paint is used on all metal surfaces
- Greenguard Gold Certified to provide safe, quality, environmentally friendly workspaces.
- FSC and OSHPD certified components are also available

CONSTRUCTION

- Cabinets are constructed of 3/4" thick industrial grade 40-50lb substrate, double-faced melamine
- All exposed edges are covered with 2mm PVC edge banding
- All panels are connected with hafele mini-fix cam hidden fastener system
- All cabinets are rail mounted for ease of install
- Work surfaces are constructed of 1 1/16" thick high-pressure laminate



MODULAR CASEWORK
ROOM SEGMENTS

Copyright 2017 Southwest Solutions Group. This material is proprietary and confidential and the disclosure, reproduction (by photocopy, film, blueprint or otherwise) or incorporation into any information retrieval system without first receiving written approval from Southwest Solutions Group is expressly prohibited by law.

Approved By

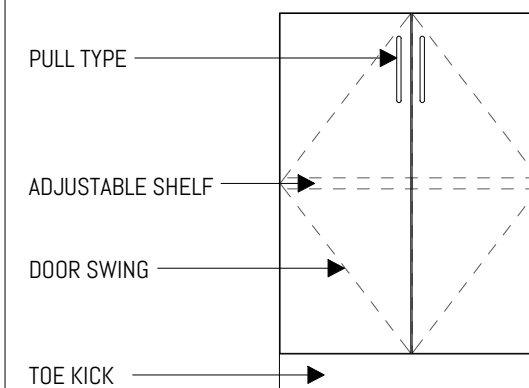
Date

Drawn by DHaynal

Salesperson SSG

Scale 1/2" = 1'-0"

LEGEND



RN	DATE	DESCRIPTION
SSG REVISION SCHEDULE		

BREAKROOM - LAM
5ft - OPTION 1

SHEET NUMBER

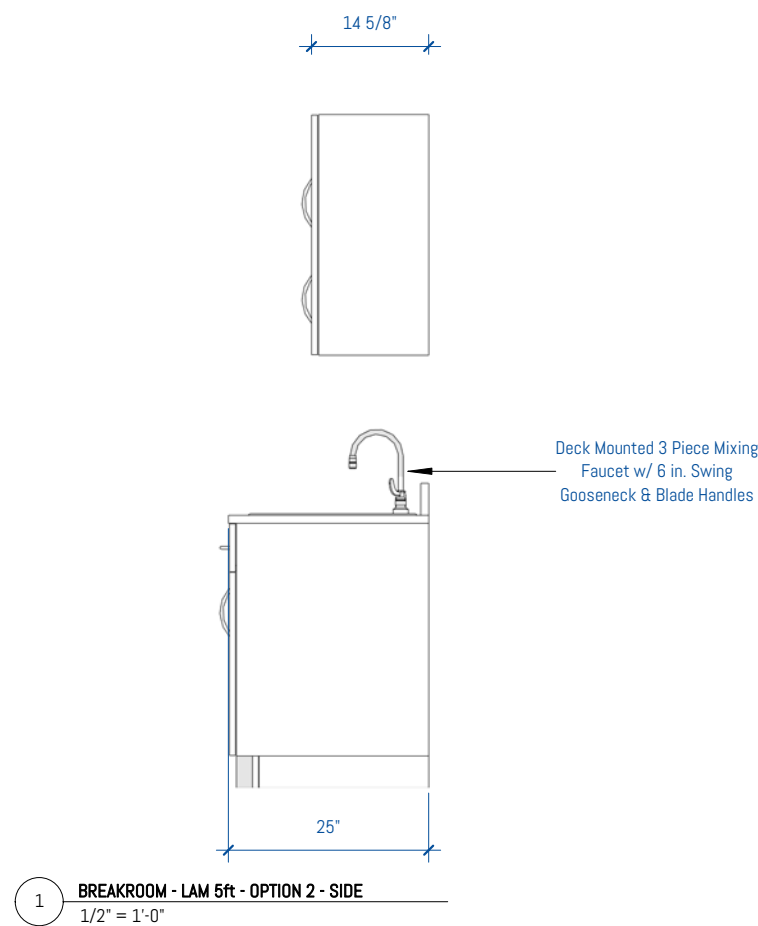
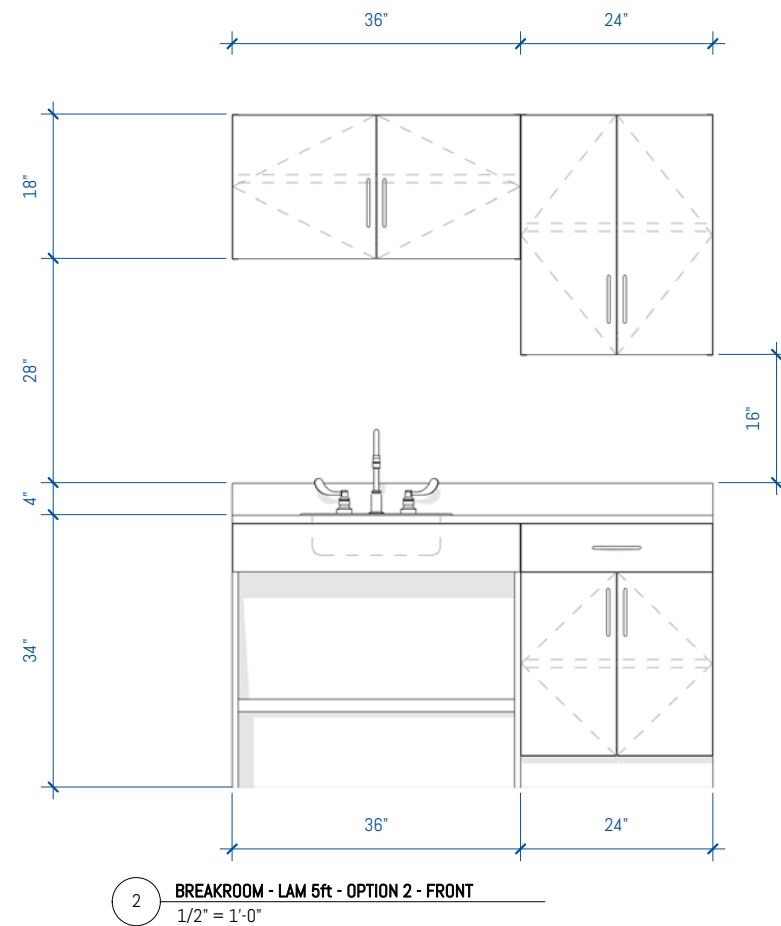
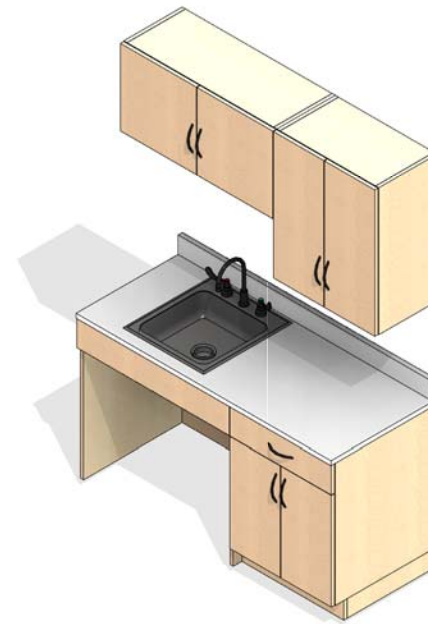
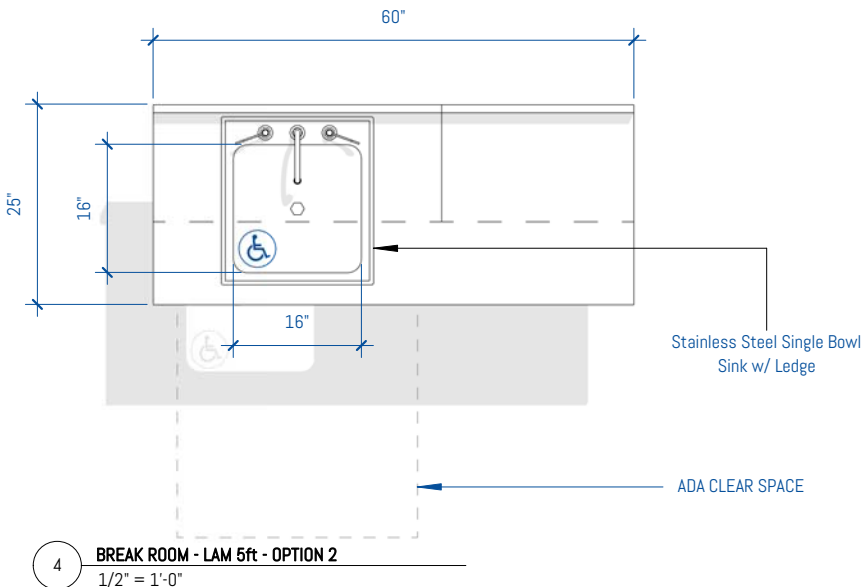
BR-1 of BR-30

FOR MORE INFORMATION

<https://bim.southwestsolutions.com>

Break Room Cabinets - 5' Wide - Option 2

SMS-03-V90-SSG-BR05-2-L



GENERAL NOTES

SUSTAINABILITY

- Particleboard and MDF fabricated from recycled wood waste material
- Cardboard packaging made from recycled materials
- Unusable pallets are recycled
- All aluminum scrap is recycled
- All adhesives used are water-based
- Products meet low VOC standards
- Powder coat paint is used on all metal surfaces
- Greenguard Gold Certified to provide safe, quality, environmentally friendly workspaces.
- FSC and OSHPD certified components are also available

CONSTRUCTION

- Cabinets are constructed of 3/4" thick industrial grade 40-50lb substrate, double-faced melamine
- All exposed edges are covered with 2mm PVC edge banding
- All panels are connected with hafele mini-fix cam hidden fastener system
- All cabinets are rail mounted for ease of install
- Work surfaces are constructed of 1 1/16" thick high-pressure laminate



MODULAR CASEWORK
ROOM SEGMENTS

Copyright 2017 Southwest Solutions Group. This material is proprietary and confidential and the disclosure, reproduction (by photocopy, film, blueprint or otherwise) or incorporation into any information retrieval system without first receiving written approval from Southwest Solutions Group is expressly prohibited by law.

Approved By

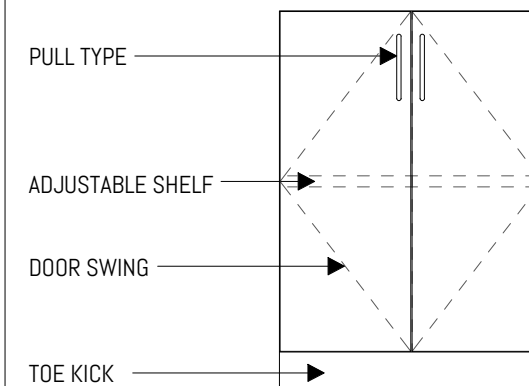
Date

Drawn by DHaynal

Salesperson SSG

Scale 1/2" = 1'-0"

LEGEND



RN	DATE	DESCRIPTION
SSG REVISION SCHEDULE		

BREAK ROOM - LAM
5ft - OPTION 2

SHEET NUMBER

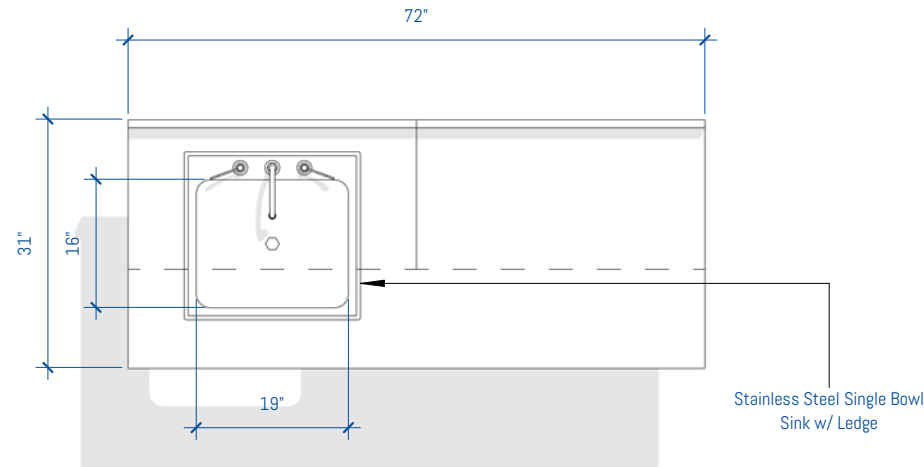
BR-2 of BR-30

FOR MORE INFORMATION

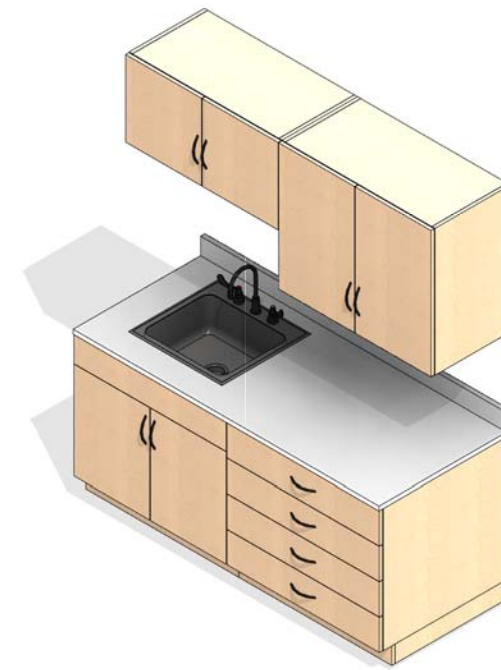
<https://bim.southwestsolutions.com>

Break Room Cabinets - 6' Wide - Option 1

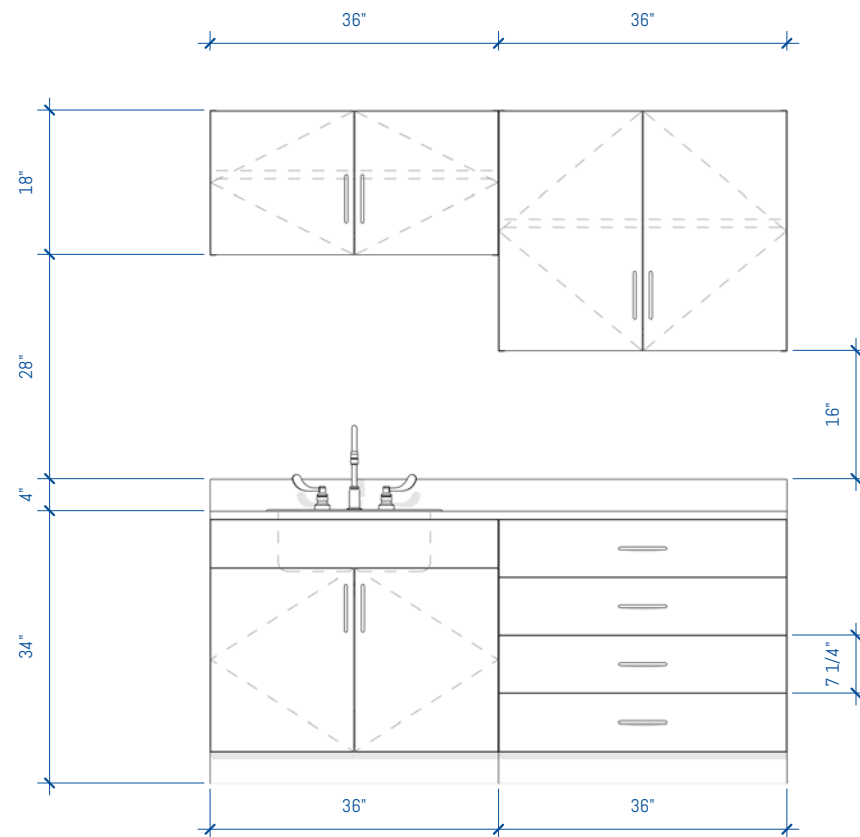
SMS-03-V90-SSG-BR06-1-L



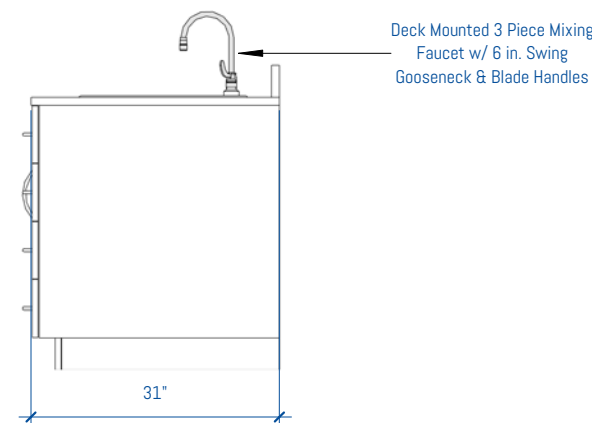
4 BREAK ROOM - LAM 6ft - OPTION 1
1/2" = 1'-0"



3 BREAK ROOM - LAM 6ft - OPTION 1



2 BREAKROOM - LAM 6ft - OPTION 1 - FRONT
1/2" = 1'-0"



1 BREAKROOM - LAM 6ft - OPTION 1 - SIDE
1/2" = 1'-0"

GENERAL NOTES

SUSTAINABILITY

- Particleboard and MDF fabricated from recycled wood waste material
- Cardboard packaging made from recycled materials
- Unusable pallets are recycled
- All aluminum scrap is recycled
- All adhesives used are water-based
- Products meet low VOC standards
- Powder coat paint is used on all metal surfaces
- Greenguard Gold Certified to provide safe, quality, environmentally friendly workspaces.
- FSC and OSHPD certified components are also available

CONSTRUCTION

- Cabinets are constructed of 3/4" thick industrial grade 40-50lb substrate, double-faced melamine
- All exposed edges are covered with 2mm PVC edge banding
- All panels are connected with hafele mini-fix cam hidden fastener system
- All cabinets are rail mounted for ease of install
- Work surfaces are constructed of 1 1/16" thick high-pressure laminate



MODULAR CASEWORK
ROOM SEGMENTS

Copyright 2017 Southwest Solutions Group. This material is proprietary and confidential and the disclosure, reproduction (by photocopy, film, blueprint or otherwise) or incorporation into any information retrieval system without first receiving written approval from Southwest Solutions Group is expressly prohibited by law.

Approved By

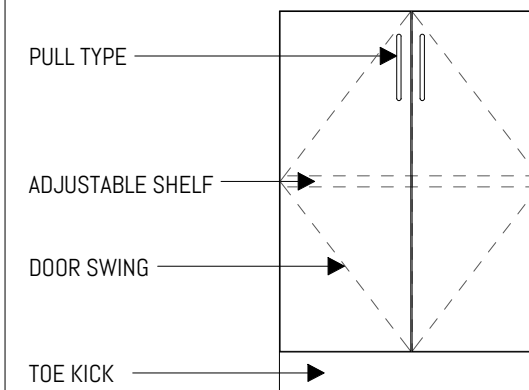
Date

Drawn by DHaynal

Salesperson SSG

Scale 1/2" = 1'-0"

LEGEND



RN DATE DESCRIPTION

SSG REVISION SCHEDULE

BREAK ROOM - LAM
6ft - OPTION 1

SHEET NUMBER

BR-3 of BR-30

FOR MORE INFORMATION

<https://bim.southwestsolutions.com>

Break Room Cabinets - 6' Wide - Option 2

SMS-03-V90-SSG-BR06-2-L

GENERAL NOTES



SUSTAINABILITY

- Particleboard and MDF fabricated from recycled wood waste material
- Cardboard packaging made from recycled materials
- Unusable pallets are recycled
- All aluminum scrap is recycled
- All adhesives used are water-based
- Products meet low VOC standards
- Powder coat paint is used on all metal surfaces
- Greenguard Gold Certified to provide safe, quality, environmentally friendly workspaces.
- FSC and OSHPD certified components are also available

CONSTRUCTION

- Cabinets are constructed of 3/4" thick industrial grade 40-50lb substrate, double-faced melamine
- All exposed edges are covered with 2mm PVC edge banding
- All panels are connected with hafele mini-fix cam hidden fastener system
- All cabinets are rail mounted for ease of install
- Work surfaces are constructed of 1 1/16" thick high-pressure laminate

MODULAR CASEWORK
ROOM SEGMENTS

Copyright 2017 Southwest Solutions Group. This material is proprietary and confidential and the disclosure, reproduction (by photocopy, film, blueprint or otherwise) or incorporation into any information retrieval system without first receiving written approval from Southwest Solutions Group is expressly prohibited by law.

Approved By

Date

Drawn by DHaynal

Salesperson SSG

Scale 1/2" = 1'-0"

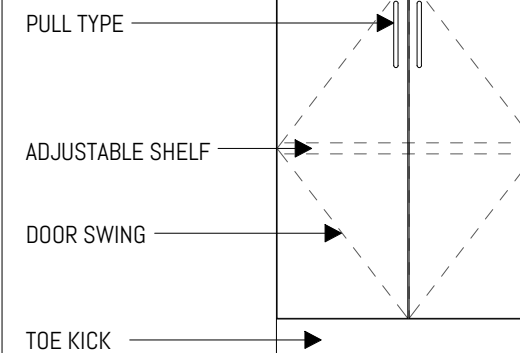
RN	DATE	DESCRIPTION
SSG REVISION SCHEDULE		

BREAK ROOM - LAM
6ft - OPTION 2

SHEET NUMBER

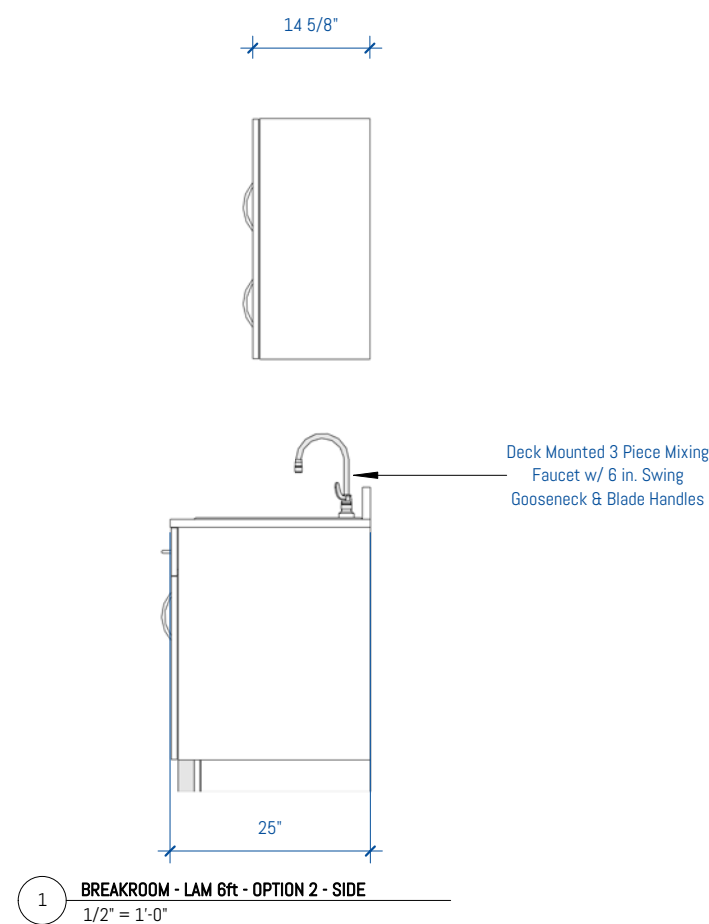
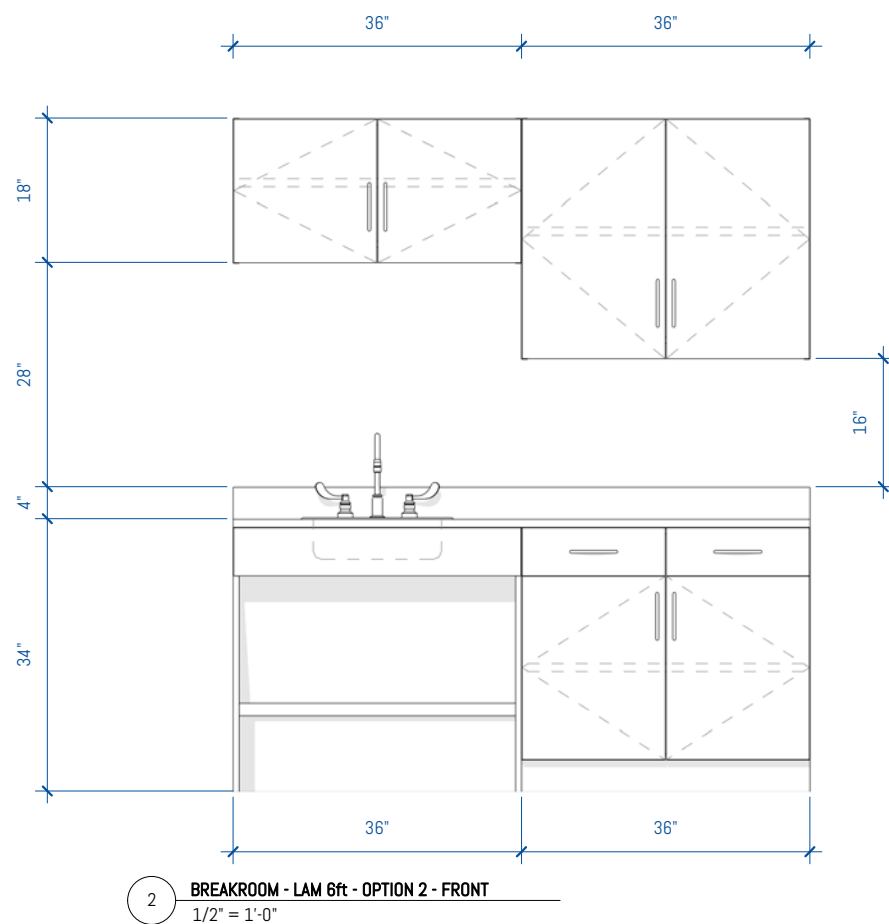
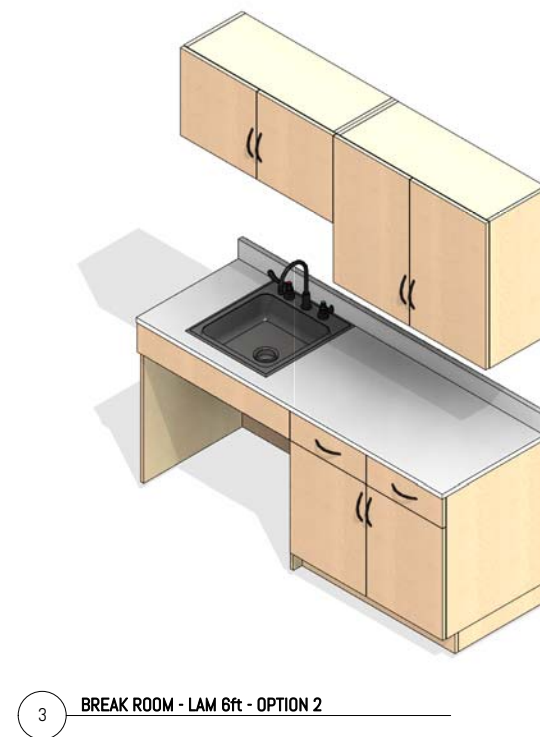
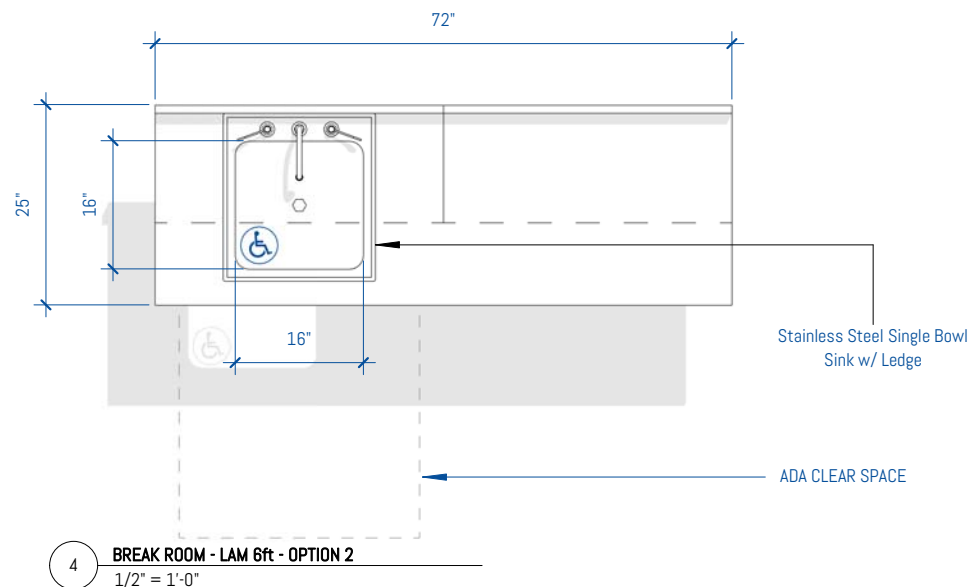
BR-4 of BR-30

LEGEND



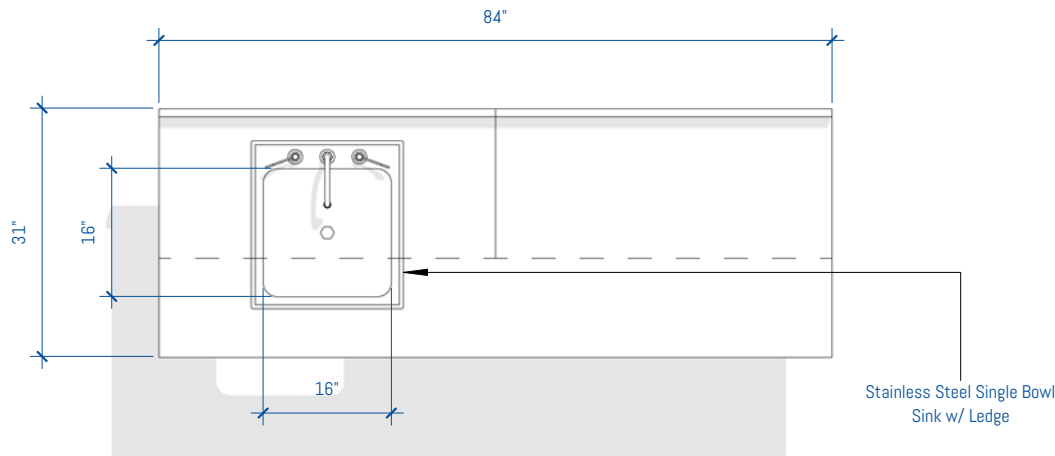
FOR MORE INFORMATION

<https://bim.southwestsolutions.com>

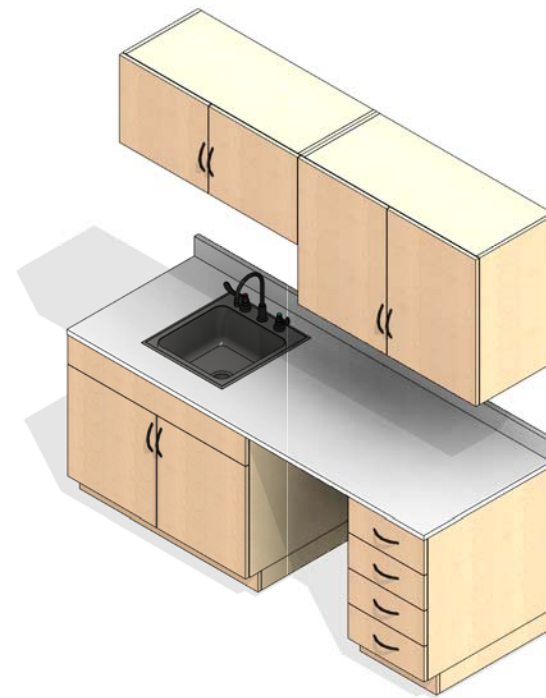


Break Room Cabinets - 7' Wide - Option 1

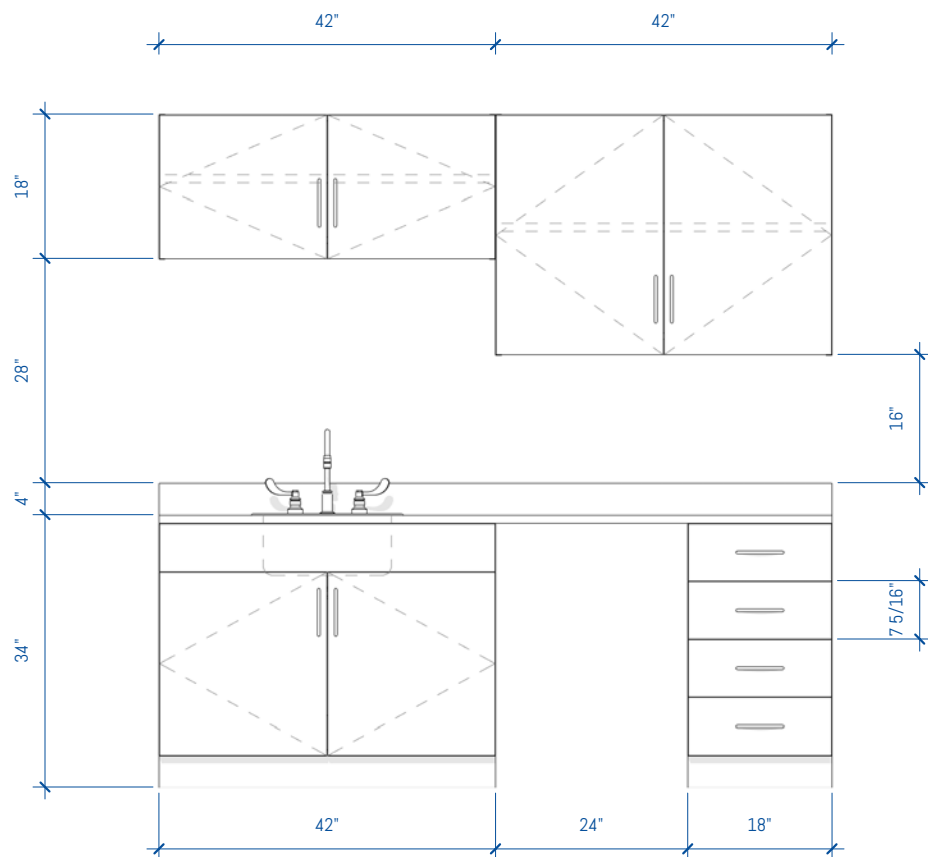
SMS-03-V90-SSG-BR07-1-L



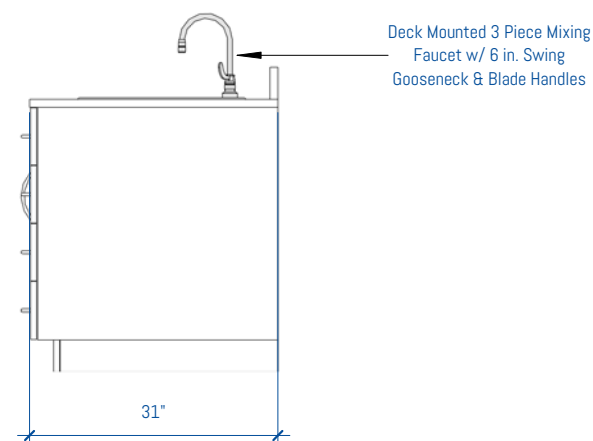
4 BREAK ROOM - LAM 7ft - OPTION 1
1/2" = 1'-0"



3 BREAK ROOM - LAM 7ft - OPTION 1



2 BREAKROOM - LAM 7ft - OPTION 1 - FRONT
1/2" = 1'-0"



1 BREAKROOM - LAM 7ft - OPTION 1 - SIDE
1/2" = 1'-0"

GENERAL NOTES

SUSTAINABILITY

- Particleboard and MDF fabricated from recycled wood waste material
- Cardboard packaging made from recycled materials
- Unusable pallets are recycled
- All aluminum scrap is recycled
- All adhesives used are water-based
- Products meet low VOC standards
- Powder coat paint is used on all metal surfaces
- Greenguard Gold Certified to provide safe, quality, environmentally friendly workspaces.
- FSC and OSHPD certified components are also available

CONSTRUCTION

- Cabinets are constructed of 3/4" thick industrial grade 40-50lb substrate, double-faced melamine
- All exposed edges are covered with 2mm PVC edge banding
- All panels are connected with hafele mini-fix cam hidden fastener system
- All cabinets are rail mounted for ease of install
- Work surfaces are constructed of 1 1/16" thick high-pressure laminate



MODULAR CASEWORK
ROOM SEGMENTS

Copyright 2017 Southwest Solutions Group. This material is proprietary and confidential and the disclosure, reproduction (by photocopy, film, blueprint or otherwise) or incorporation into any information retrieval system without first receiving written approval from Southwest Solutions Group is expressly prohibited by law.

Approved By

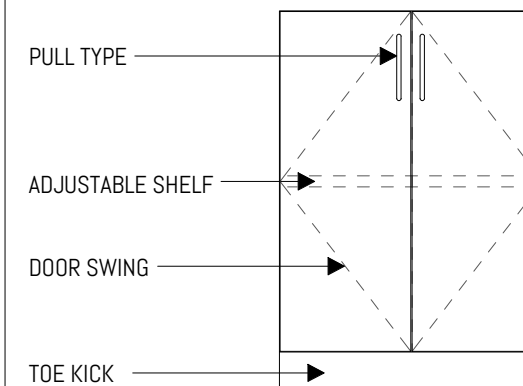
Date

Drawn by DHaynal

Salesperson SSG

Scale 1/2" = 1'-0"

LEGEND



RN DATE DESCRIPTION

SSG REVISION SCHEDULE

BREAK ROOM - LAM
7ft - OPTION 1

SHEET NUMBER

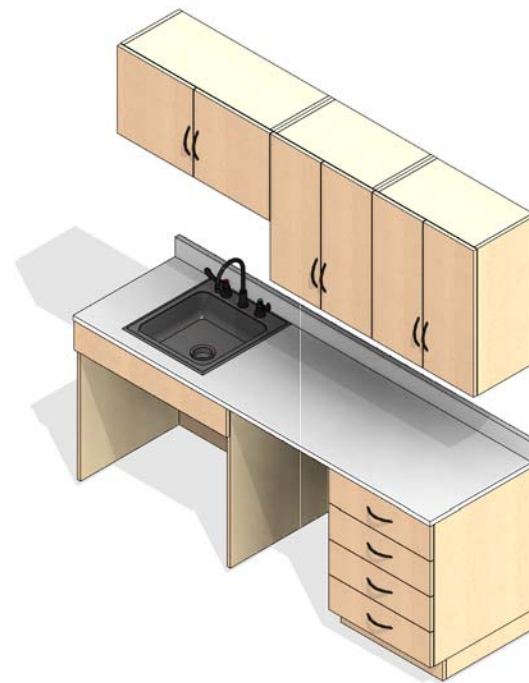
BR-5 of BR-30

FOR MORE INFORMATION

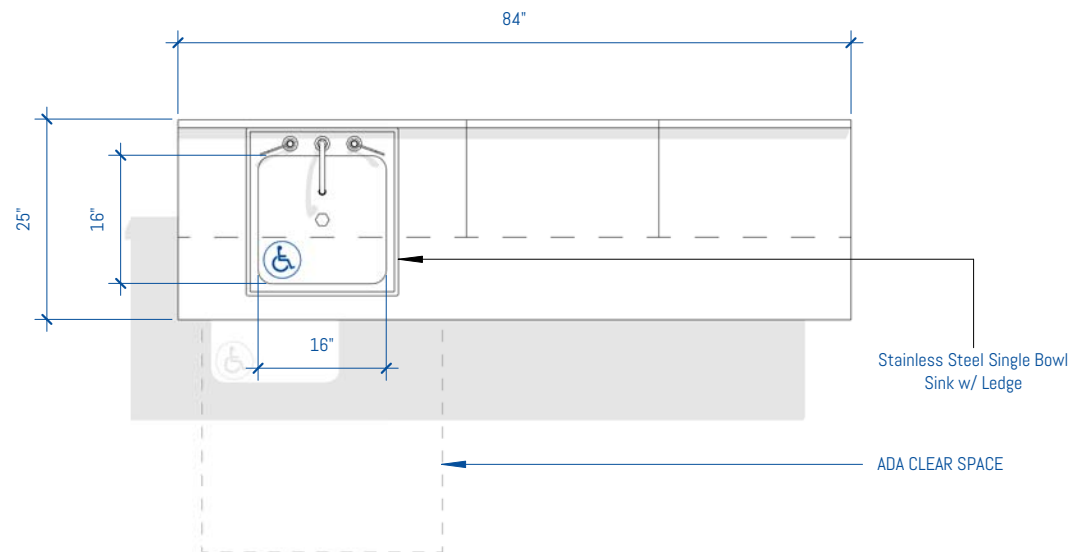
<https://bim.southwestsolutions.com>

Break Room Cabinets - 7' Wide - Option 3

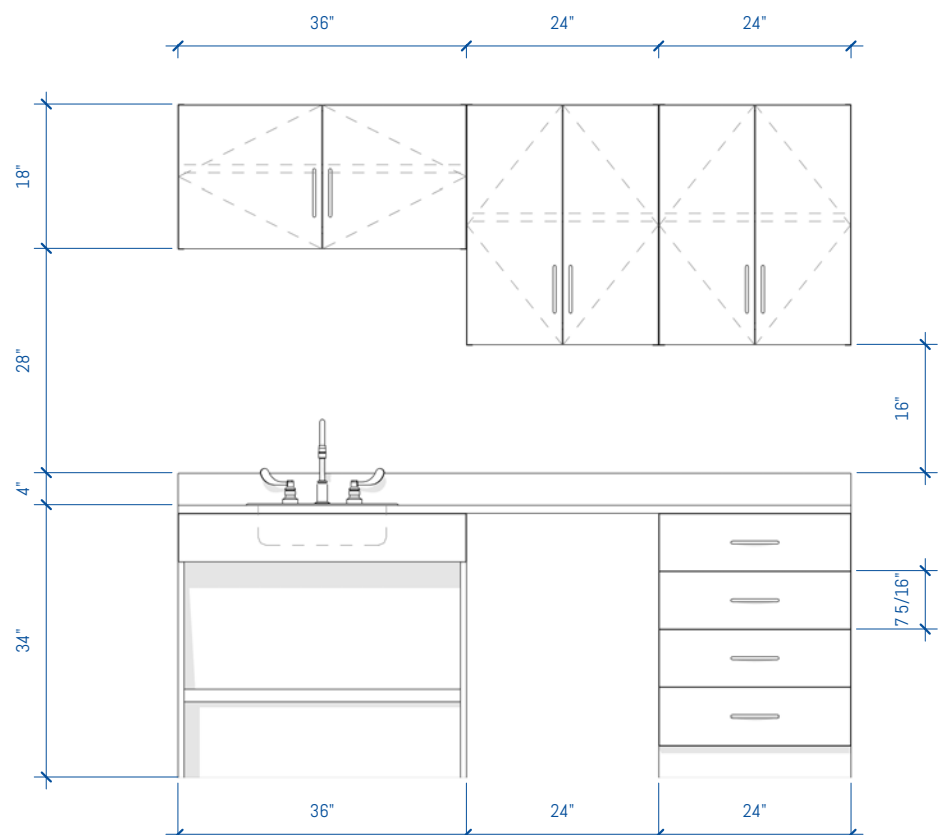
SMS-03-V90-SSG-BR07-3-L



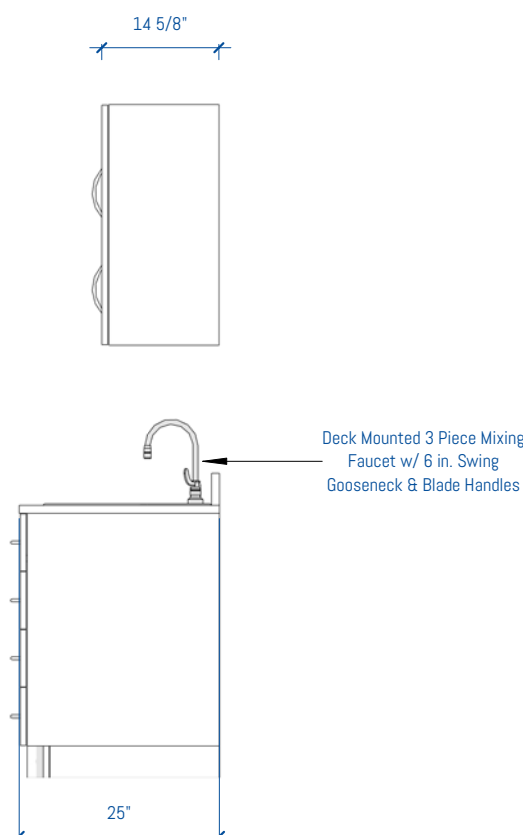
3 BREAK ROOM - LAM 7ft - OPTION 2
1/2" = 1'-0"



4 BREAK ROOM - LAM 7ft - OPTION 2
1/2" = 1'-0"



2 BREAKROOM - LAM 7ft - OPTION 2 - FRONT
1/2" = 1'-0"



1 BREAKROOM - LAM 7ft - OPTION 2 - SIDE
1/2" = 1'-0"

GENERAL NOTES

SUSTAINABILITY

- Particleboard and MDF fabricated from recycled wood waste material
- Cardboard packaging made from recycled materials
- Unusable pallets are recycled
- All aluminum scrap is recycled
- All adhesives used are water-based
- Products meet low VOC standards
- Powder coat paint is used on all metal surfaces
- Greenguard Gold Certified to provide safe, quality, environmentally friendly workspaces.
- FSC and OSHPD certified components are also available

CONSTRUCTION

- Cabinets are constructed of 3/4" thick industrial grade 40-50lb substrate, double-faced melamine
- All exposed edges are covered with 2mm PVC edge banding
- All panels are connected with hafele mini-fix cam hidden fastener system
- All cabinets are rail mounted for ease of install
- Work surfaces are constructed of 1 1/16" thick high-pressure laminate



MODULAR CASEWORK
ROOM SEGMENTS

Copyright 2017 Southwest Solutions Group. This material is proprietary and confidential and the disclosure, reproduction (by photocopy, film, blueprint or otherwise) or incorporation into any information retrieval system without first receiving written approval from Southwest Solutions Group is expressly prohibited by law.

Approved By

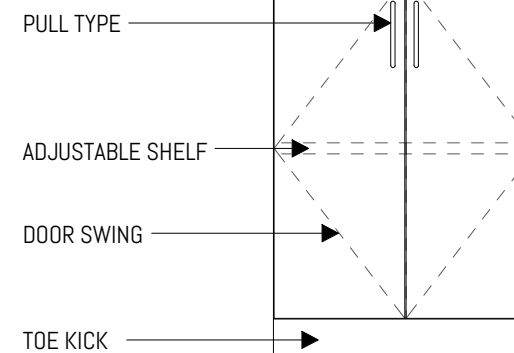
Date

Drawn by DHaynal

Salesperson SSG

Scale 1/2" = 1'-0"

LEGEND



RN DATE DESCRIPTION

SSG REVISION SCHEDULE

BREAK ROOM - LAM
7ft - OPTION 2

SHEET NUMBER

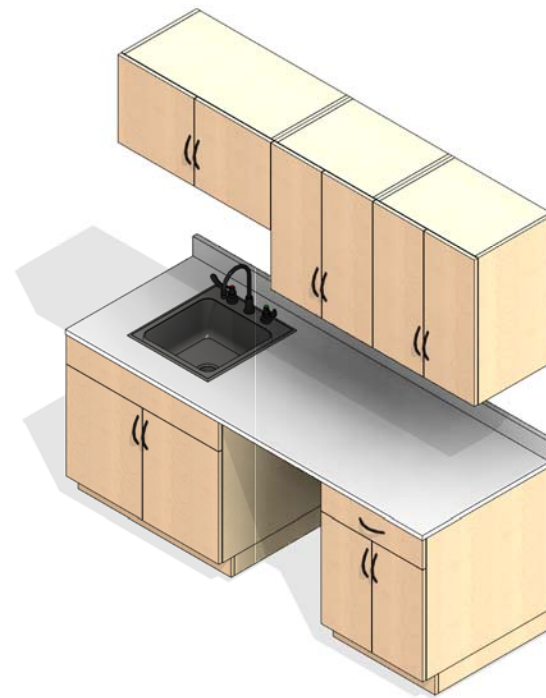
BR-6 of BR-30

FOR MORE INFORMATION

<https://bim.southwestsolutions.com>

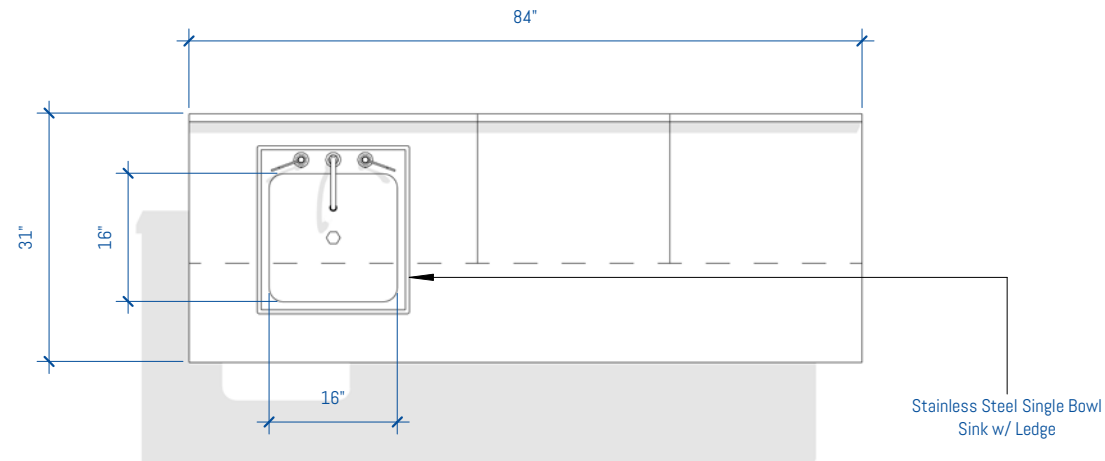
Break Room Cabinets - 7' Wide - Option 3

SMS-03-V90-SSG-BR07-3-L



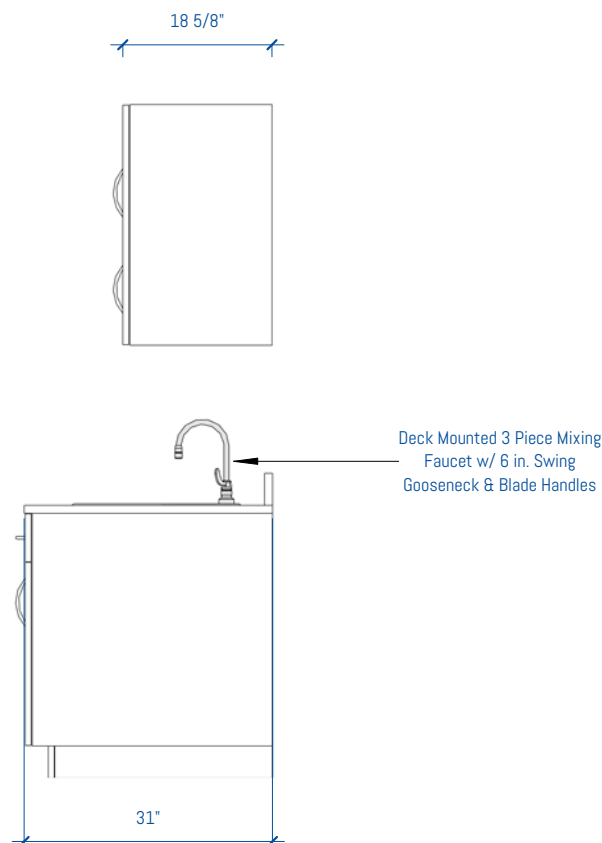
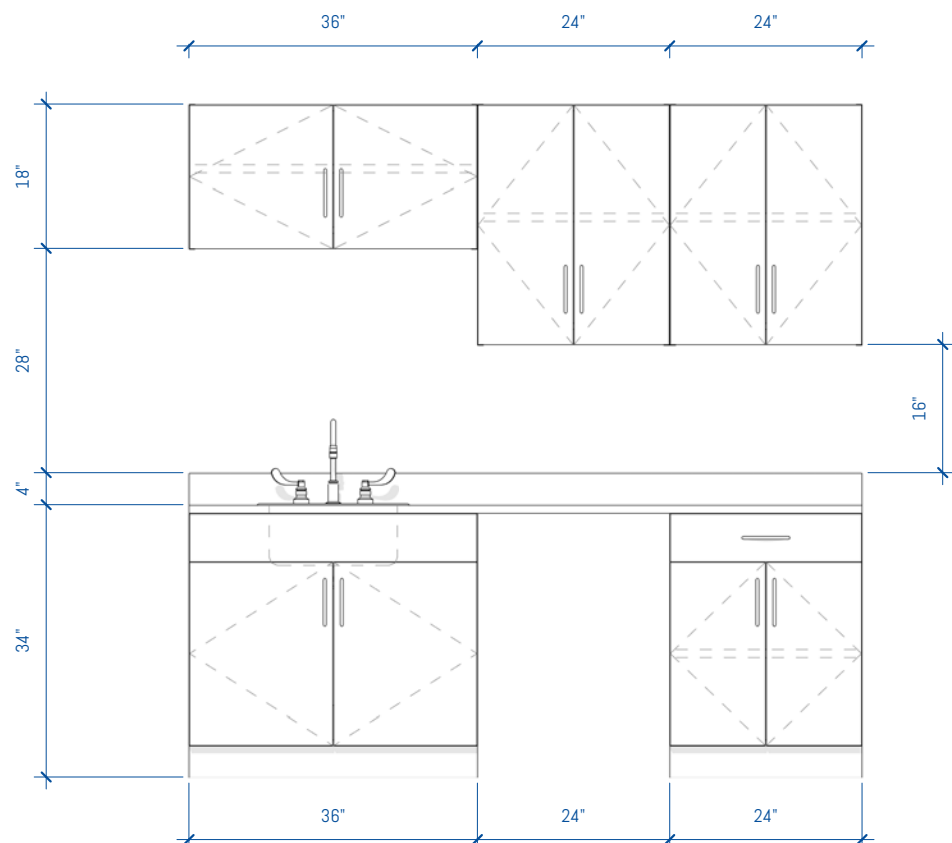
3 BREAK ROOM - LAM 7ft - OPTION 3

1 BREAKROOM - LAM 7ft - OPTION 3 - SIDE



4 BREAK ROOM - LAM 7ft - OPTION 3

2 BREAKROOM - LAM 7ft - OPTION 3 - FRONT



GENERAL NOTES

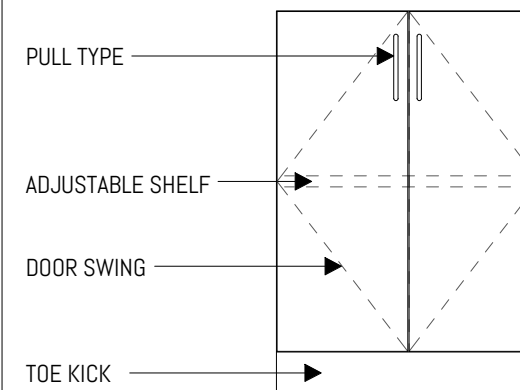
SUSTAINABILITY

- Particleboard and MDF fabricated from recycled wood waste material
- Cardboard packaging made from recycled materials
- Unusable pallets are recycled
- All aluminum scrap is recycled
- All adhesives used are water-based
- Products meet low VOC standards
- Powder coat paint is used on all metal surfaces
- Greenguard Gold Certified to provide safe, quality, environmentally friendly workspaces.
- FSC and OSHPD certified components are also available

CONSTRUCTION

- Cabinets are constructed of 3/4" thick industrial grade 40-50lb substrate, double-faced melamine
- All exposed edges are covered with 2mm PVC edge banding
- All panels are connected with hafele mini-fix cam hidden fastener system
- All cabinets are rail mounted for ease of install
- Work surfaces are constructed of 1 1/16" thick high-pressure laminate

LEGEND



FOR MORE INFORMATION

<https://bim.southwestsolutions.com>



MODULAR CASEWORK
ROOM SEGMENTS

Copyright 2017 Southwest Solutions Group. This material is proprietary and confidential and the disclosure, reproduction (by photocopy, film, blueprint or otherwise) or incorporation into any information retrieval system without first receiving written approval from Southwest Solutions Group is expressly prohibited by law.

Approved By

Date

Drawn by DHaynal

Salesperson SSG

Scale 1/2" = 1'-0"

RN	DATE	DESCRIPTION
SSG REVISION SCHEDULE		

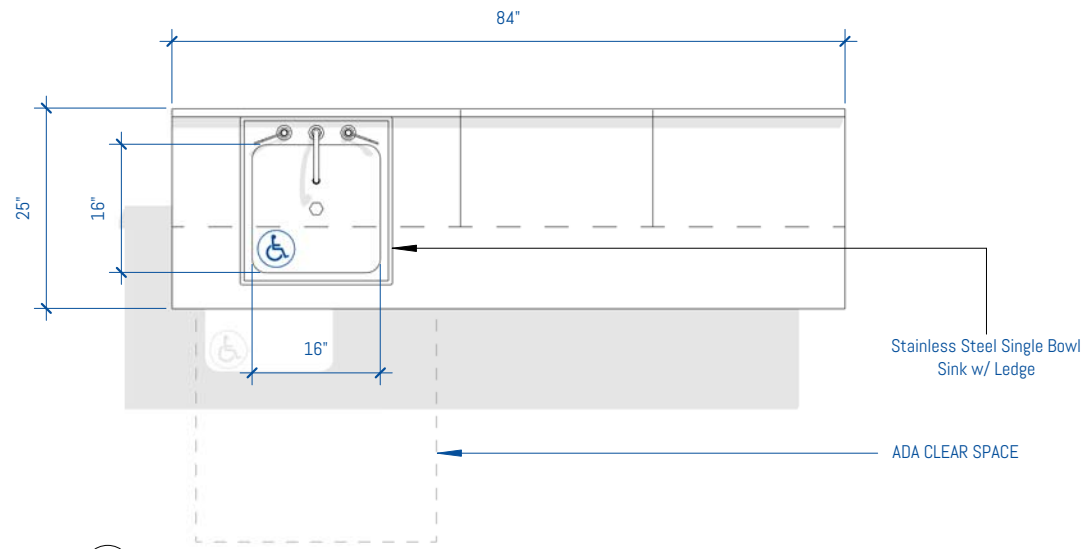
BREAK ROOM - LAM
7ft - OPTION 3

SHEET NUMBER

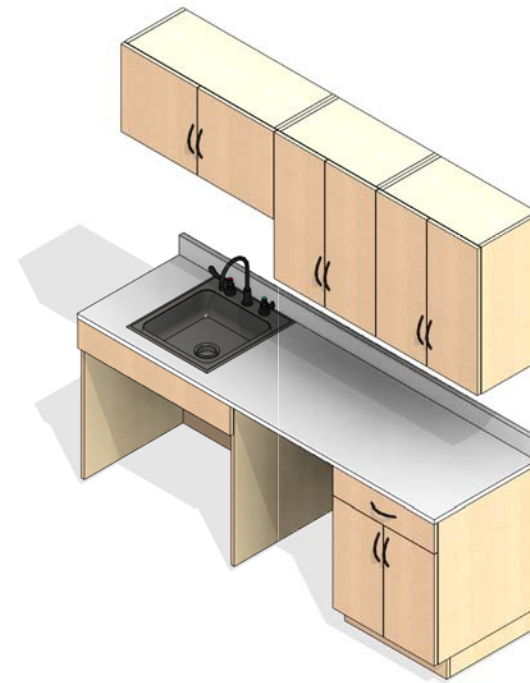
BR-7 of BR-30

Break Room Cabinets - 7' Wide - Option 4

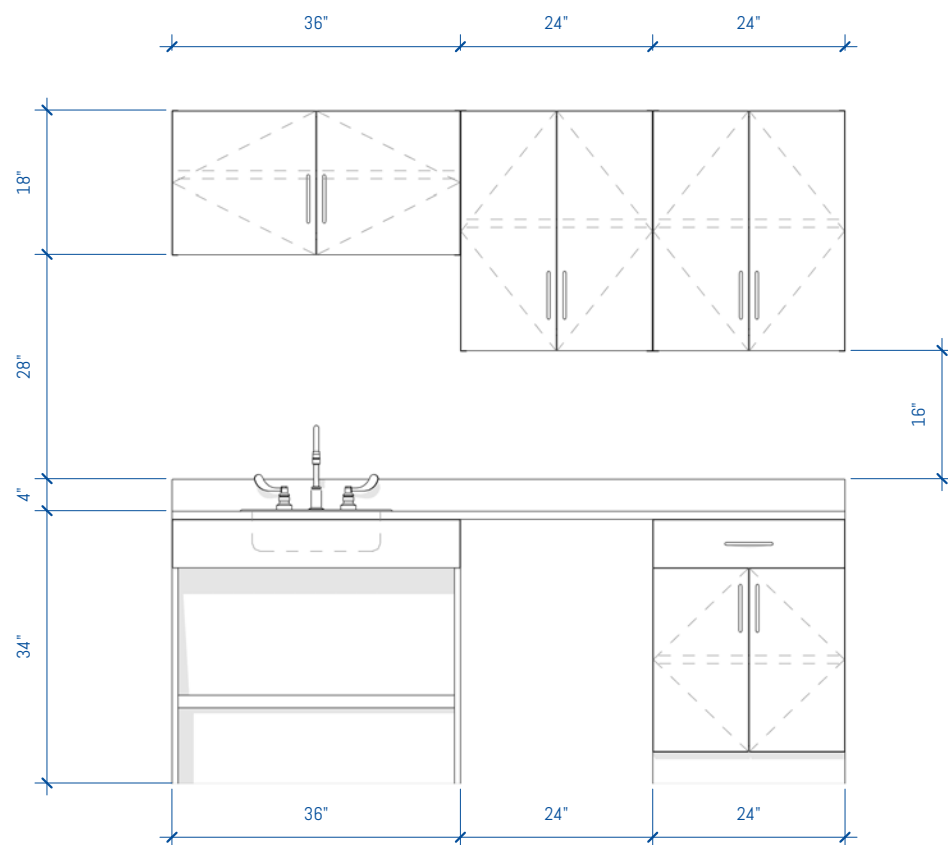
SMS-03-V90-SSG-BR07-4-L



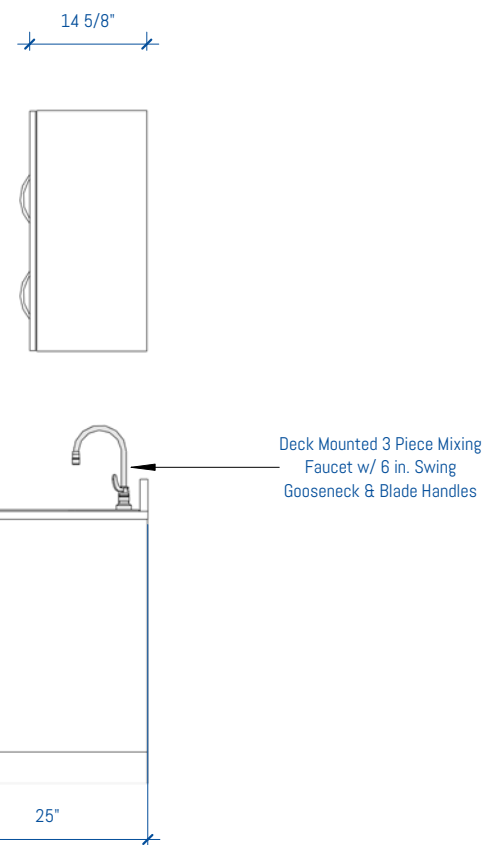
4 BREAK ROOM - LAM 7ft - OPTION 4
1/2" = 1'-0"



3 BREAK ROOM - LAM 7ft - OPTION 4



2 BREAKROOM - LAM 7ft - OPTION 4 - FRONT
1/2" = 1'-0"



1 BREAKROOM - LAM 7ft - OPTION 4 - SIDE
1/2" = 1'-0"

GENERAL NOTES

SUSTAINABILITY

- Particleboard and MDF fabricated from recycled wood waste material
- Cardboard packaging made from recycled materials
- Unusable pallets are recycled
- All aluminum scrap is recycled
- All adhesives used are water-based
- Products meet low VOC standards
- Powder coat paint is used on all metal surfaces
- Greenguard Gold Certified to provide safe, quality, environmentally friendly workspaces.
- FSC and OSHPD certified components are also available

CONSTRUCTION

- Cabinets are constructed of 3/4" thick industrial grade 40-50lb substrate, double-faced melamine
- All exposed edges are covered with 2mm PVC edge banding
- All panels are connected with hafele mini-fix cam hidden fastener system
- All cabinets are rail mounted for ease of install
- Work surfaces are constructed of 1 1/16" thick high-pressure laminate



MODULAR CASEWORK
ROOM SEGMENTS

Copyright 2017 Southwest Solutions Group. This material is proprietary and confidential and the disclosure, reproduction (by photocopy, film, blueprint or otherwise) or incorporation into any information retrieval system without first receiving written approval from Southwest Solutions Group is expressly prohibited by law.

Approved By

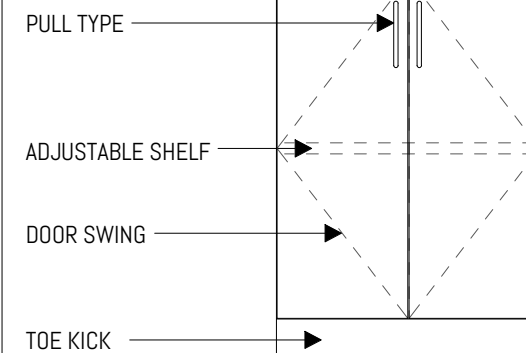
Date

Drawn by DHaynal

Salesperson SSG

Scale 1/2" = 1'-0"

LEGEND



RN DATE DESCRIPTION

SSG REVISION SCHEDULE

BREAK ROOM - LAM
7ft - OPTION 4

SHEET NUMBER

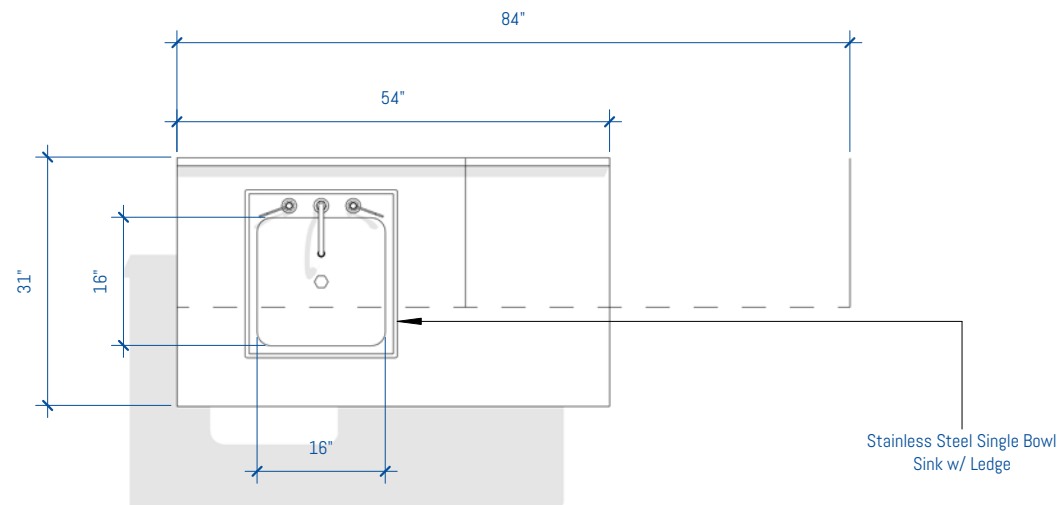
BR-8 of BR-30

FOR MORE INFORMATION

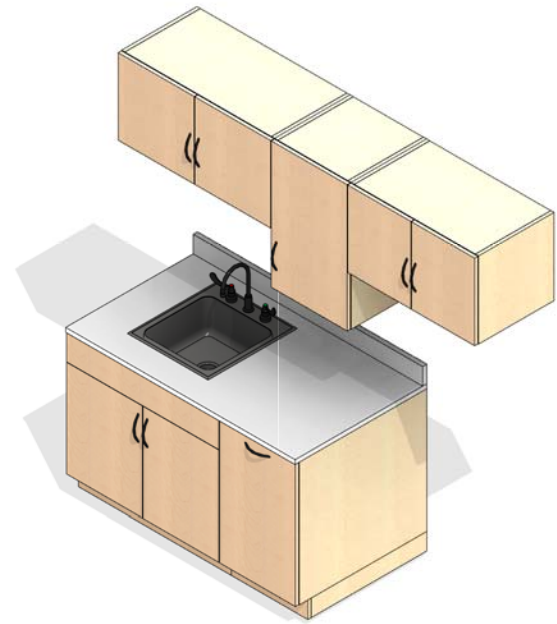
<https://bim.southwestsolutions.com>

Break Room Cabinets - 7' Wide - Option 5

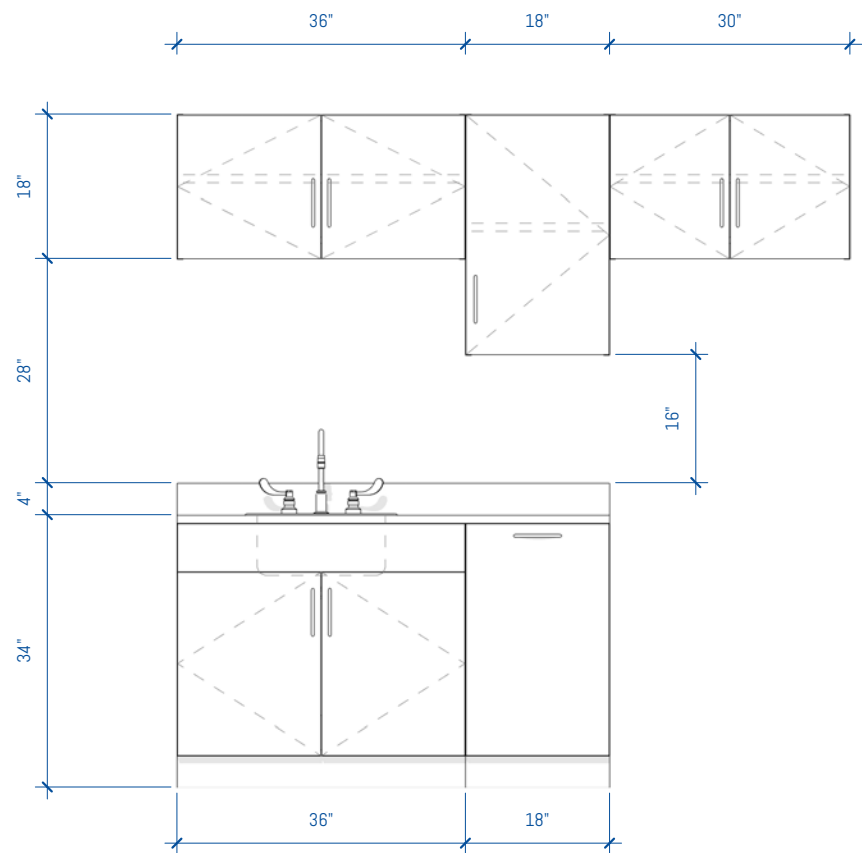
SMS-03-V90-SSG-BR07-5-L



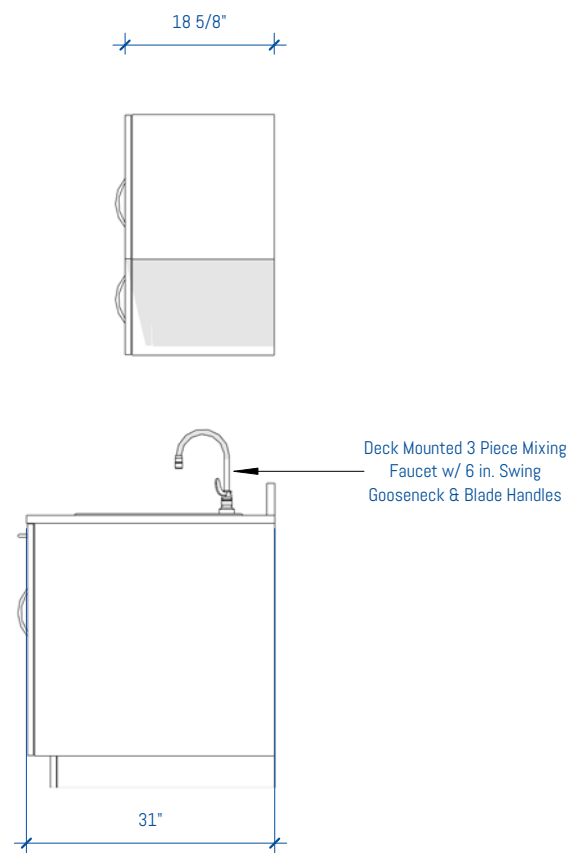
4 BREAK ROOM - LAM 7ft - OPTION 5
1/2" = 1'-0"



3 BREAK ROOM - LAM 7ft - OPTION 5



2 BREAKROOM - LAM 7ft - OPTION 5 - FRONT
1/2" = 1'-0"



1 BREAKROOM - LAM 7ft - OPTION 5 - SIDE
1/2" = 1'-0"

GENERAL NOTES

SUSTAINABILITY

- Particleboard and MDF fabricated from recycled wood waste material
- Cardboard packaging made from recycled materials
- Unusable pallets are recycled
- All aluminum scrap is recycled
- All adhesives used are water-based
- Products meet low VOC standards
- Powder coat paint is used on all metal surfaces
- Greenguard Gold Certified to provide safe, quality, environmentally friendly workspaces.
- FSC and OSHPD certified components are also available

CONSTRUCTION

- Cabinets are constructed of 3/4" thick industrial grade 40-50lb substrate, double-faced melamine
- All exposed edges are covered with 2mm PVC edge banding
- All panels are connected with hafele mini-fix cam hidden fastener system
- All cabinets are rail mounted for ease of install
- Work surfaces are constructed of 1 1/16" thick high-pressure laminate



MODULAR CASEWORK
ROOM SEGMENTS

Copyright 2017 Southwest Solutions Group. This material is proprietary and confidential and the disclosure, reproduction (by photocopy, film, blueprint or otherwise) or incorporation into any information retrieval system without first receiving written approval from Southwest Solutions Group is expressly prohibited by law.

Approved By

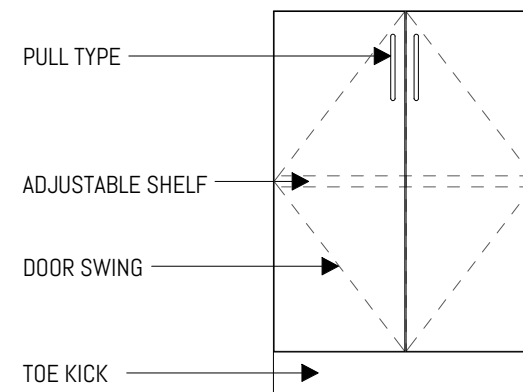
Date

Drawn by DHaynal

Salesperson SSG

Scale 1/2" = 1'-0"

LEGEND



RN DATE DESCRIPTION

SSG REVISION SCHEDULE

BREAK ROOM - LAM
7ft - OPTION 5

SHEET NUMBER

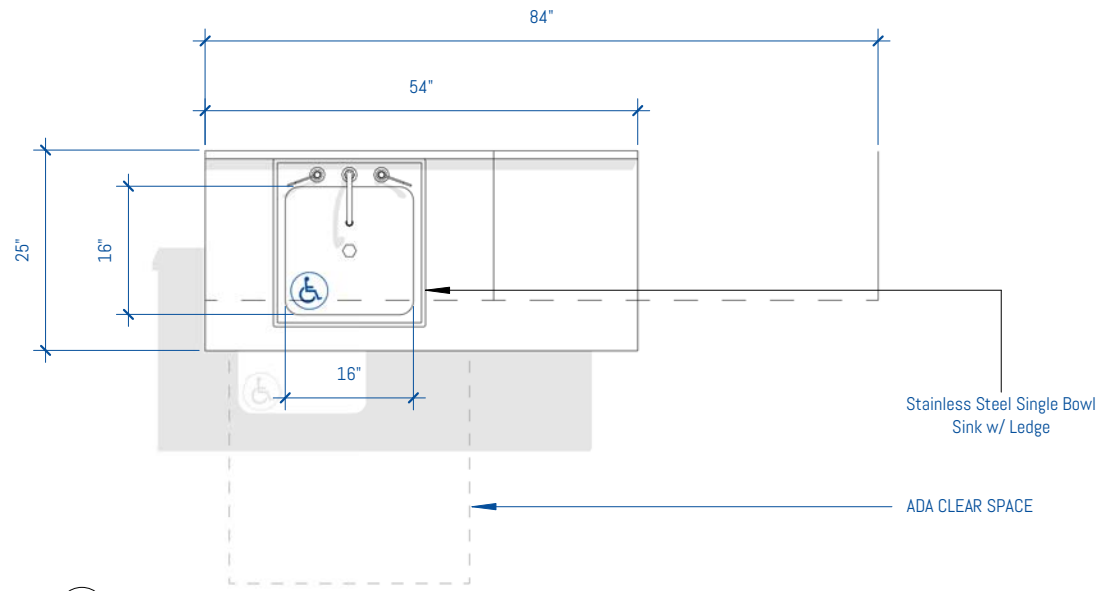
BR-9 of BR-30

FOR MORE INFORMATION

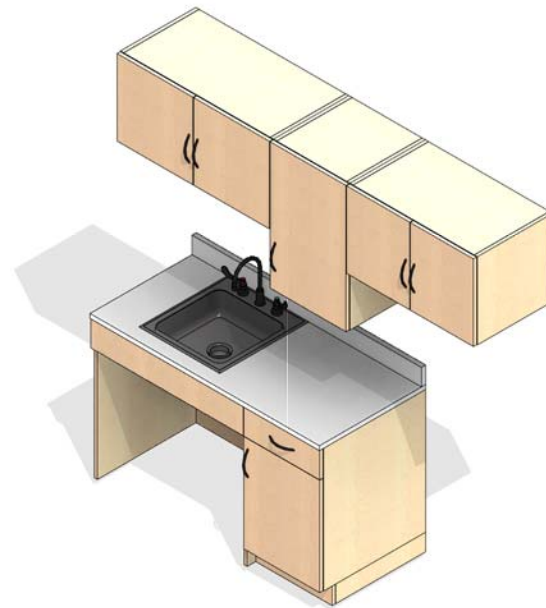
<https://bim.southwestsolutions.com>

Break Room Cabinets - 7' Wide - Option 6

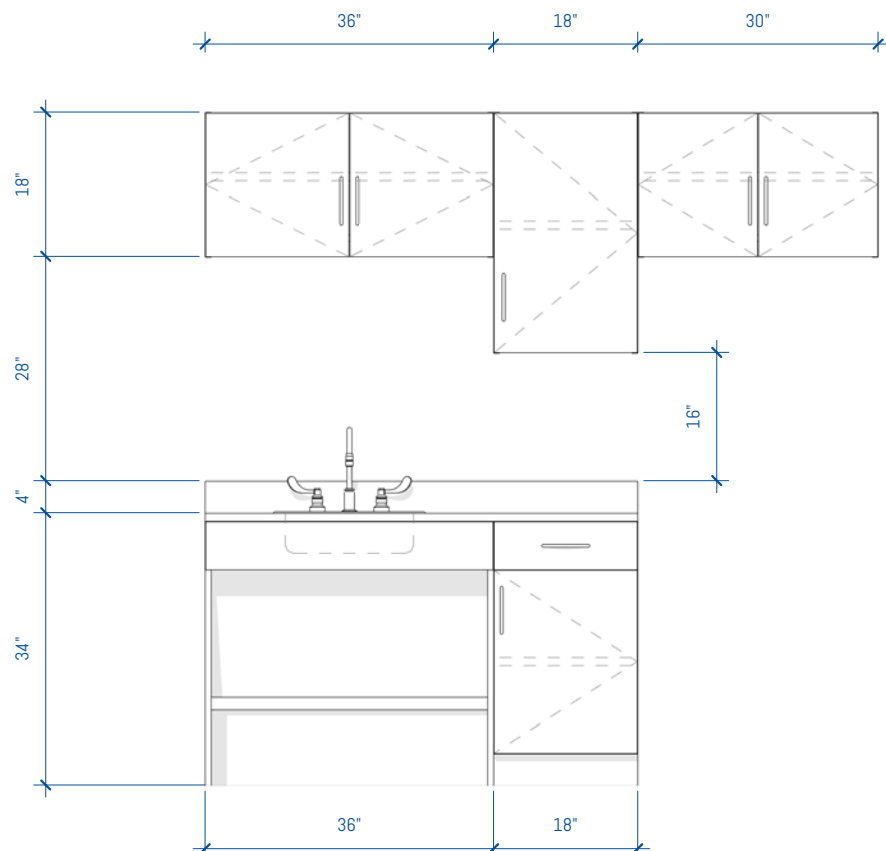
SMS-03-V90-SSG-BR07-6-L



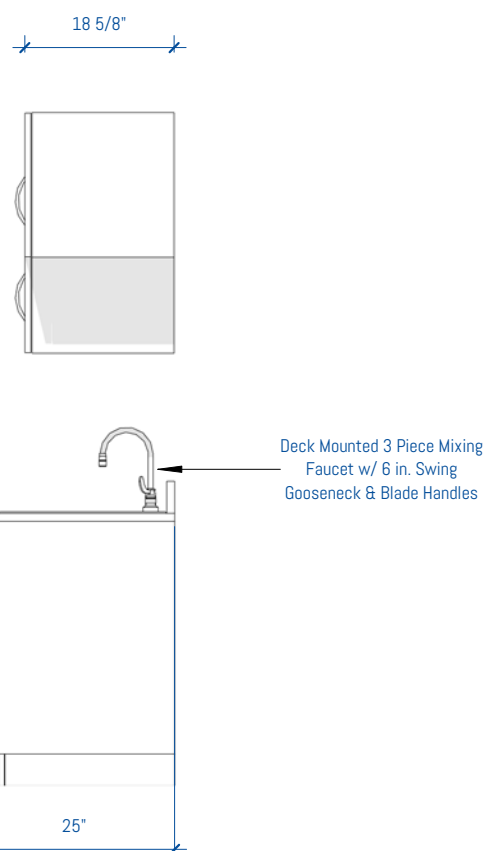
4 BREAK ROOM - LAM 7ft - OPTION 6
1/2" = 1'-0"



3 BREAK ROOM - LAM 7ft - OPTION 6



2 BREAKROOM - LAM 7ft - OPTION 6 - FRONT
1/2" = 1'-0"



1 BREAKROOM - LAM 7ft - OPTION 6 - SIDE
1/2" = 1'-0"

GENERAL NOTES

SUSTAINABILITY

- Particleboard and MDF fabricated from recycled wood waste material
- Cardboard packaging made from recycled materials
- Unusable pallets are recycled
- All aluminum scrap is recycled
- All adhesives used are water-based
- Products meet low VOC standards
- Powder coat paint is used on all metal surfaces
- Greenguard Gold Certified to provide safe, quality, environmentally friendly workspaces.
- FSC and OSHPD certified components are also available

CONSTRUCTION

- Cabinets are constructed of 3/4" thick industrial grade 40-50lb substrate, double-faced melamine
- All exposed edges are covered with 2mm PVC edge banding
- All panels are connected with hafele mini-fix cam hidden fastener system
- All cabinets are rail mounted for ease of install
- Work surfaces are constructed of 1 1/16" thick high-pressure laminate



MODULAR CASEWORK
ROOM SEGMENTS

Copyright 2017 Southwest Solutions Group. This material is proprietary and confidential and the disclosure, reproduction (by photocopy, film, blueprint or otherwise) or incorporation into any information retrieval system without first receiving written approval from Southwest Solutions Group is expressly prohibited by law.

Approved By

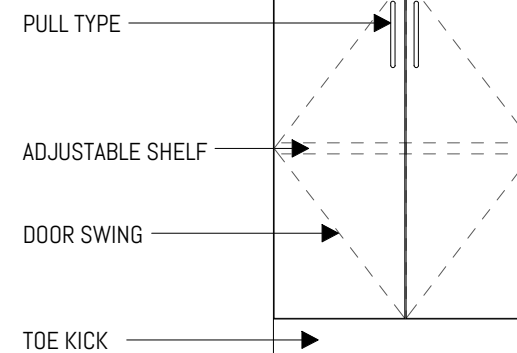
Date

Drawn by DHaynal

Salesperson SSG

Scale 1/2" = 1'-0"

LEGEND



RN DATE DESCRIPTION

SSG REVISION SCHEDULE

BREAK ROOM - LAM
7ft - OPTION 6

SHEET NUMBER

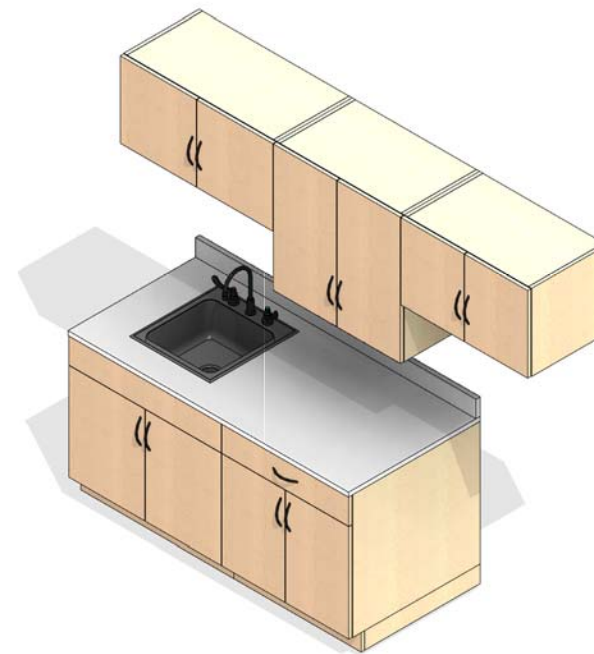
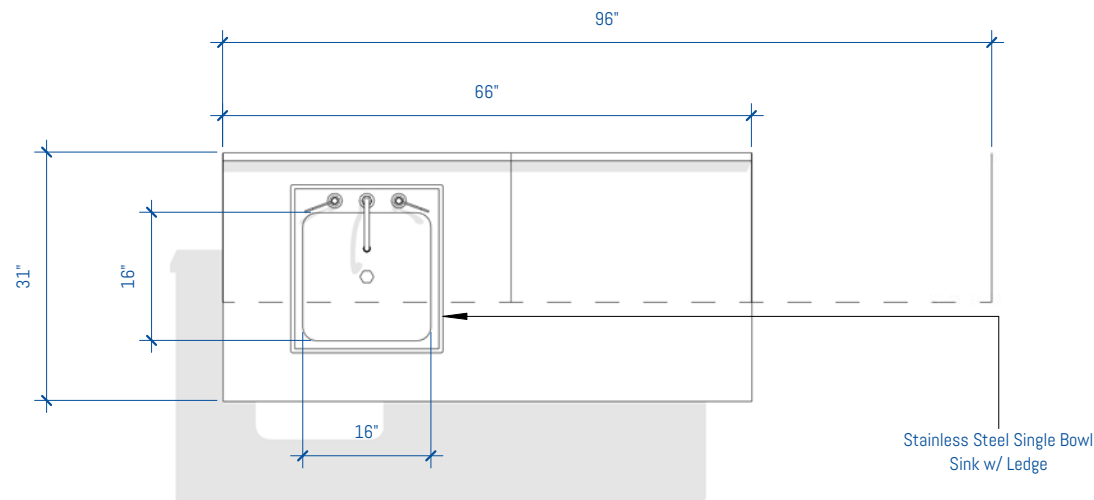
BR-10 of BR-30

FOR MORE INFORMATION

<https://bim.southwestsolutions.com>

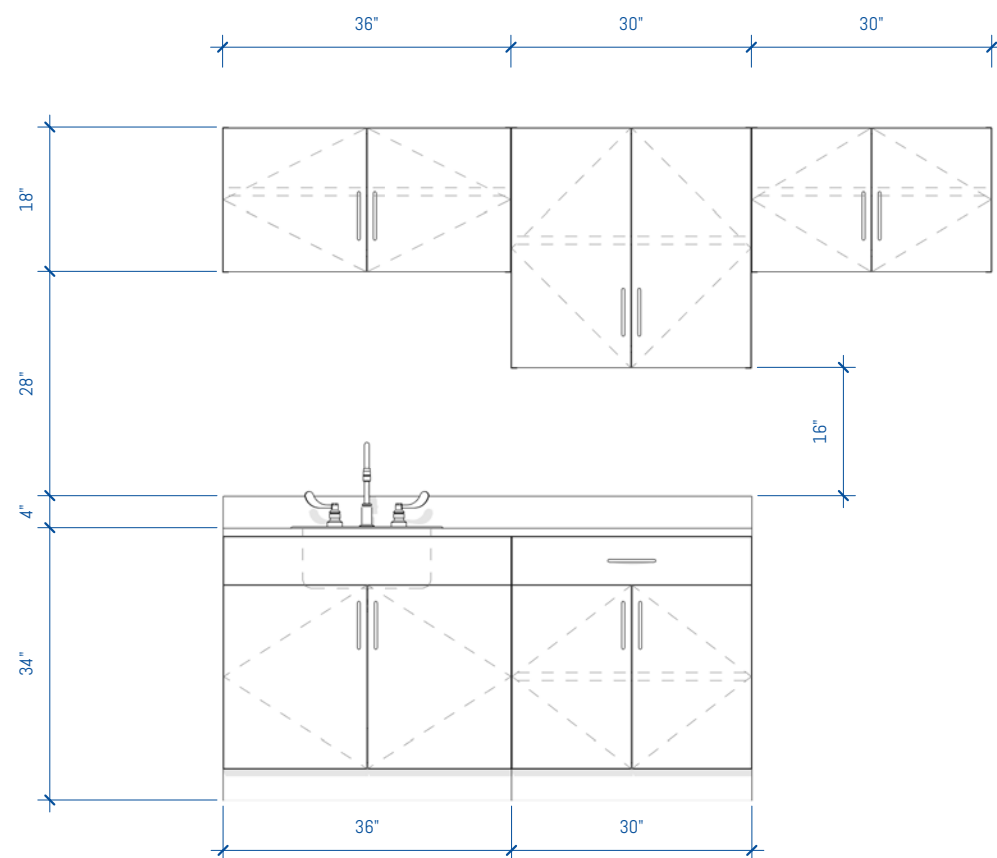
Break Room Cabinets - 8' Wide - Option 1

SMS-03-V90-SSG-BR08-1-L

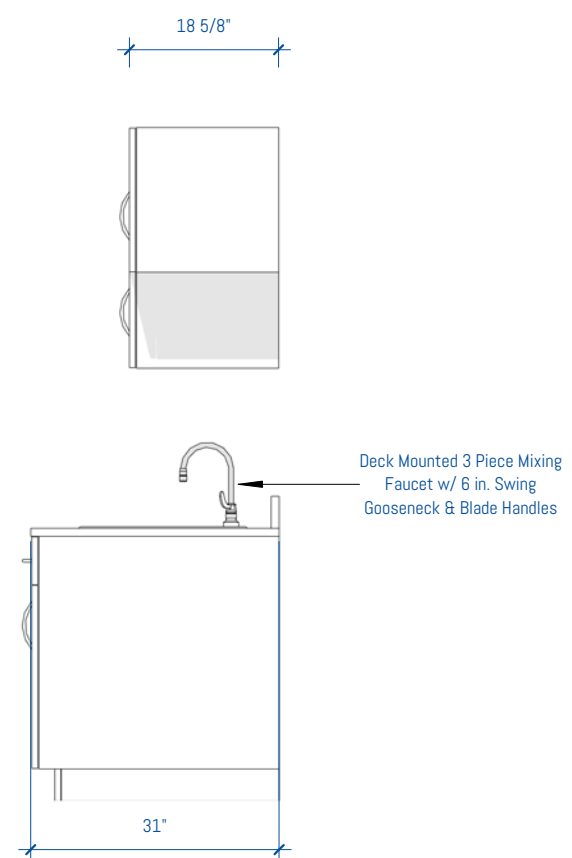


4 BREAK ROOM - LAM 8ft - OPTION 1
1/2" = 1'-0"

3 BREAK ROOM - LAM 8ft - OPTION 1
1/2" = 1'-0"



2 BREAKROOM - LAM 8ft - OPTION 1 - FRONT
1/2" = 1'-0"



1 BREAKROOM - LAM 8ft - OPTION 1 - SIDE
1/2" = 1'-0"

GENERAL NOTES

SUSTAINABILITY

- Particleboard and MDF fabricated from recycled wood waste material
- Cardboard packaging made from recycled materials
- Unusable pallets are recycled
- All aluminum scrap is recycled
- All adhesives used are water-based
- Products meet low VOC standards
- Powder coat paint is used on all metal surfaces
- Greenguard Gold Certified to provide safe, quality, environmentally friendly workspaces.
- FSC and OSHPD certified components are also available

CONSTRUCTION

- Cabinets are constructed of 3/4" thick industrial grade 40-50lb substrate, double-faced melamine
- All exposed edges are covered with 2mm PVC edge banding
- All panels are connected with hafele mini-fix cam hidden fastener system
- All cabinets are rail mounted for ease of install
- Work surfaces are constructed of 1 1/16" thick high-pressure laminate



MODULAR CASEWORK
ROOM SEGMENTS

Copyright 2017 Southwest Solutions Group. This material is proprietary and confidential and the disclosure, reproduction (by photocopy, film, blueprint or otherwise) or incorporation into any information retrieval system without first receiving written approval from Southwest Solutions Group is expressly prohibited by law.

Approved By

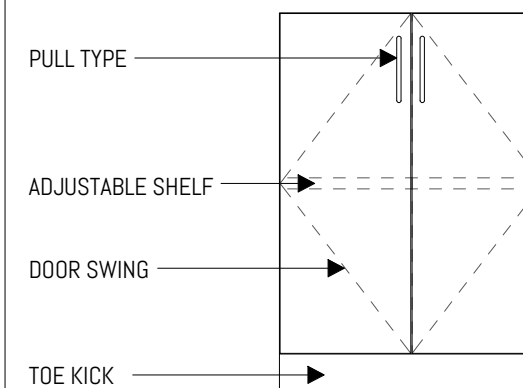
Date

Drawn by DHaynal

Salesperson SSG

Scale 1/2" = 1'-0"

LEGEND



RN	DATE	DESCRIPTION
SSG REVISION SCHEDULE		

BREAK ROOM - LAM
8ft - OPTION 1

SHEET NUMBER

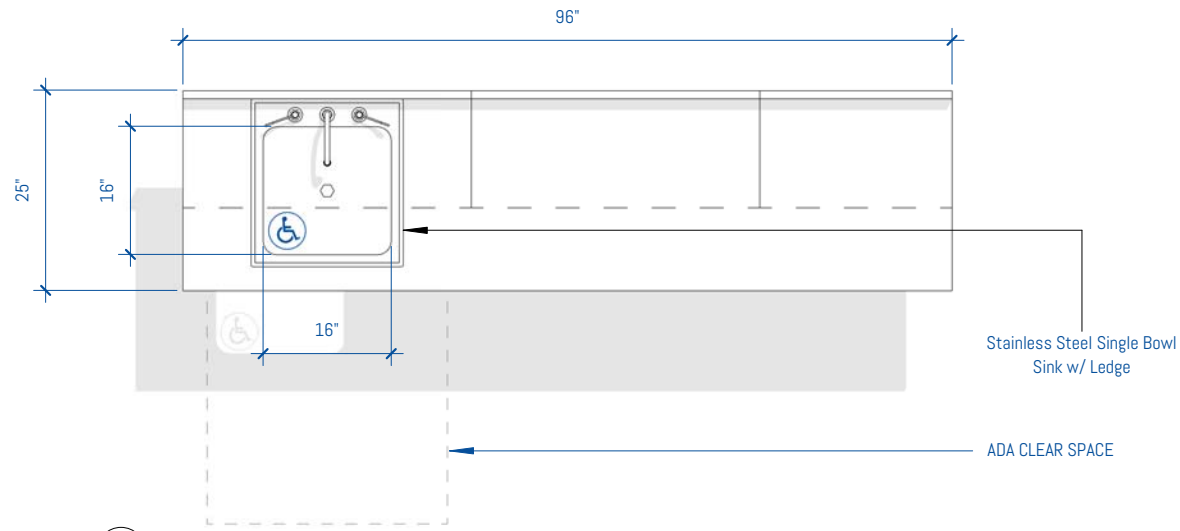
BR-11 of BR-30

FOR MORE INFORMATION

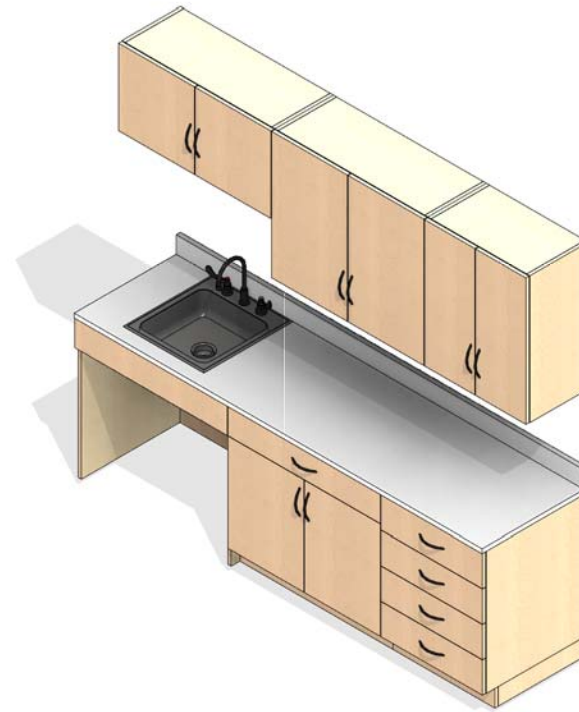
<https://bim.southwestsolutions.com>

Break Room Cabinets - 8' Wide - Option 2

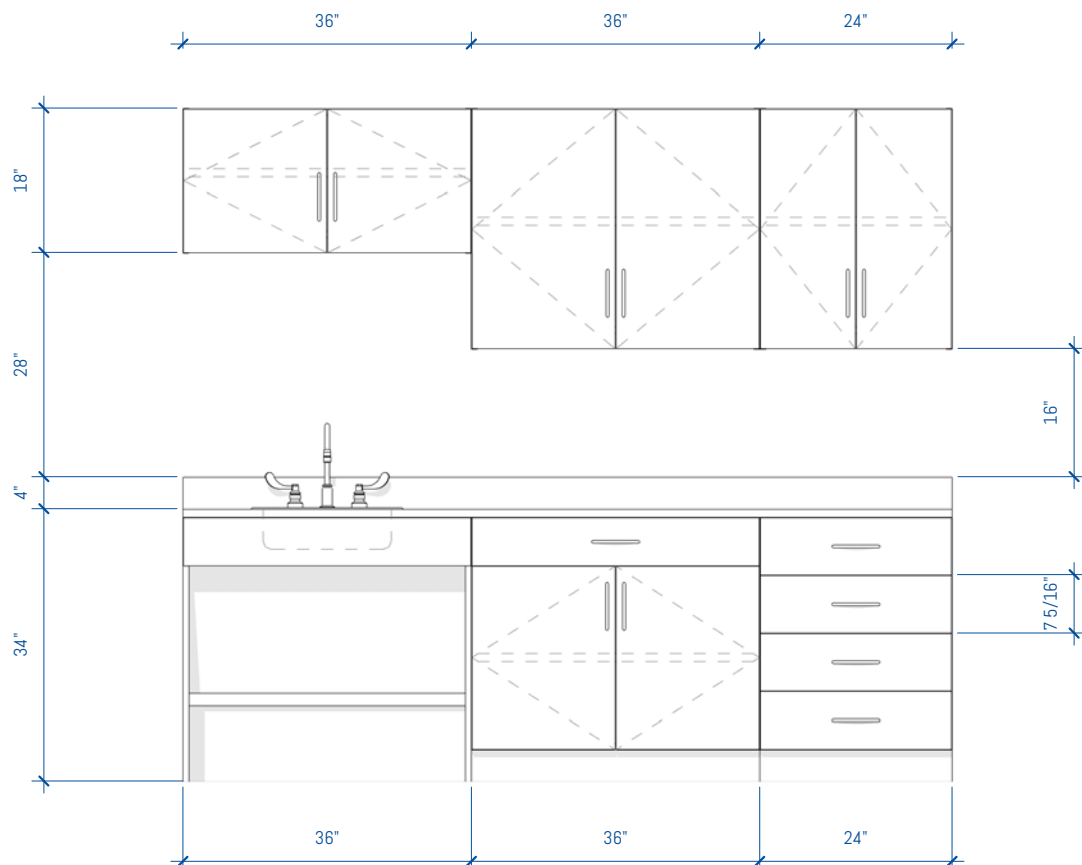
SMS-03-V90-SSG-BR08-2-L



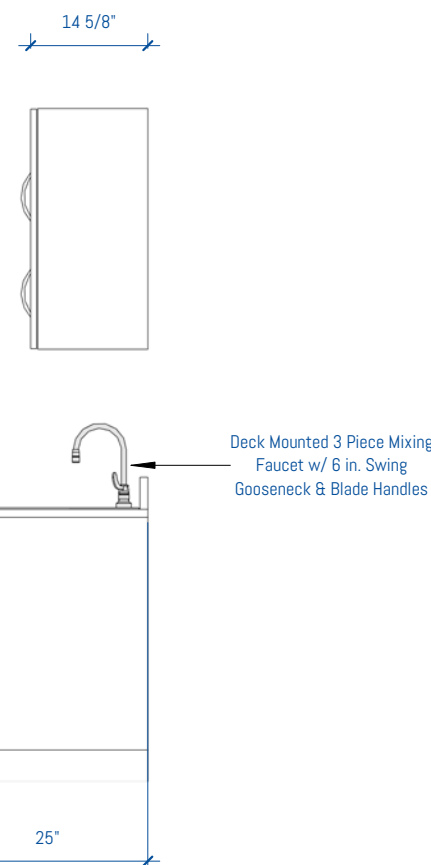
4 BREAK ROOM - LAM 8ft - OPTION 2
1/2" = 1'-0"



3 BREAK ROOM - LAM 8ft - OPTION 2



2 BREAKROOM - LAM 8ft - OPTION 2 - FRONT
1/2" = 1'-0"



1 BREAKROOM - LAM 8ft - OPTION 2 - SIDE
1/2" = 1'-0"

GENERAL NOTES

SUSTAINABILITY

- Particleboard and MDF fabricated from recycled wood waste material
- Cardboard packaging made from recycled materials
- Unusable pallets are recycled
- All aluminum scrap is recycled
- All adhesives used are water-based
- Products meet low VOC standards
- Powder coat paint is used on all metal surfaces
- Greenguard Gold Certified to provide safe, quality, environmentally friendly workspaces.
- FSC and OSHPD certified components are also available

CONSTRUCTION

- Cabinets are constructed of 3/4" thick industrial grade 40-50lb substrate, double-faced melamine
- All exposed edges are covered with 2mm PVC edge banding
- All panels are connected with hafele mini-fix cam hidden fastener system
- All cabinets are rail mounted for ease of install
- Work surfaces are constructed of 1 1/16" thick high-pressure laminate



MODULAR CASEWORK
ROOM SEGMENTS

Copyright 2017 Southwest Solutions Group. This material is proprietary and confidential and the disclosure, reproduction (by photocopy, film, blueprint or otherwise) or incorporation into any information retrieval system without first receiving written approval from Southwest Solutions Group is expressly prohibited by law.

Approved By

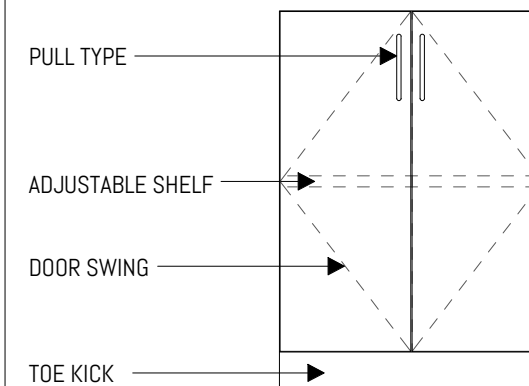
Date

Drawn by DHaynal

Salesperson SSG

Scale 1/2" = 1'-0"

LEGEND



RN DATE DESCRIPTION

SSG REVISION SCHEDULE

BREAK ROOM - LAM
8ft - OPTION 2

SHEET NUMBER

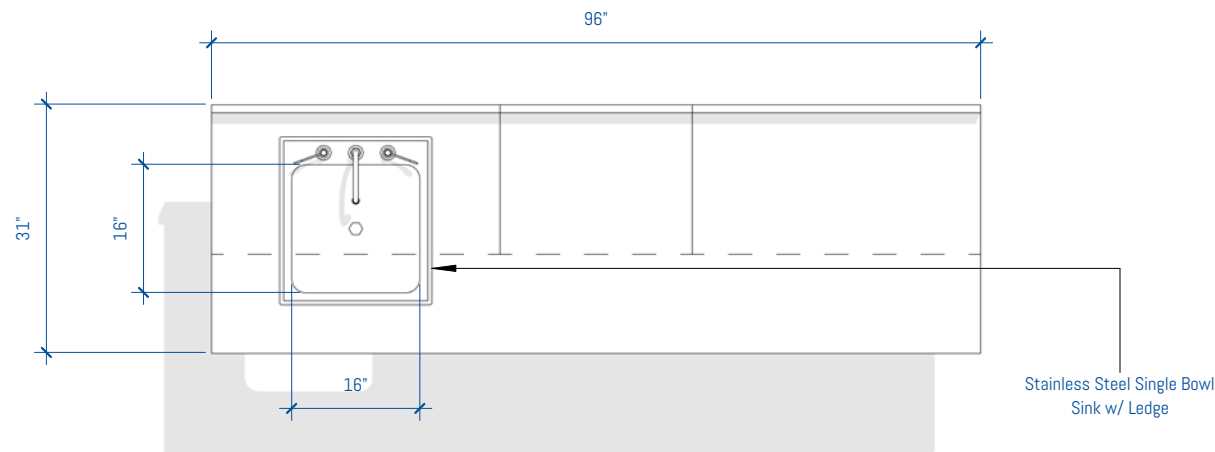
BR-12 of BR-30

FOR MORE INFORMATION

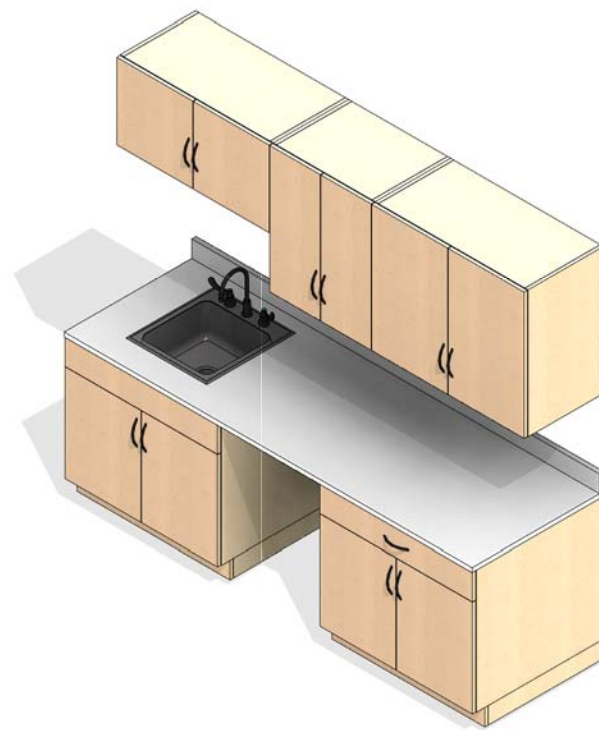
<https://bim.southwestsolutions.com>

Break Room Cabinets - 8' Wide - Option 3

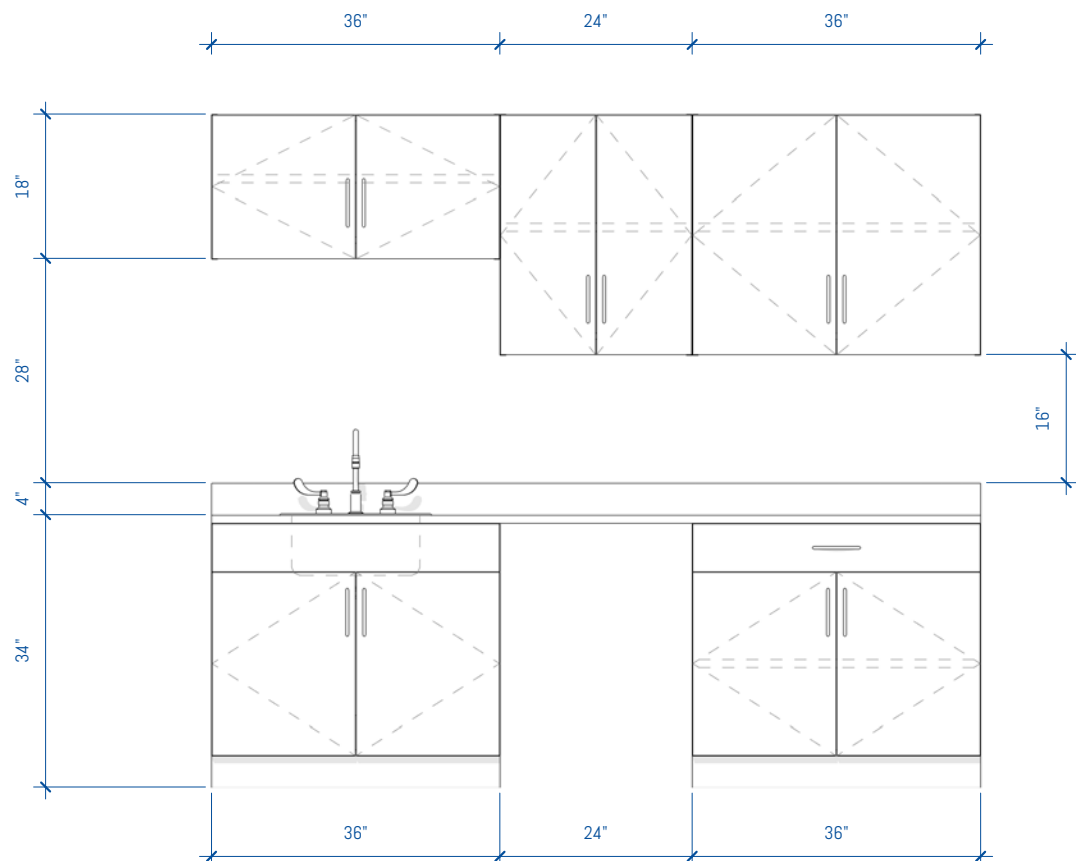
SMS-03-V90-SSG-BR08-3-L



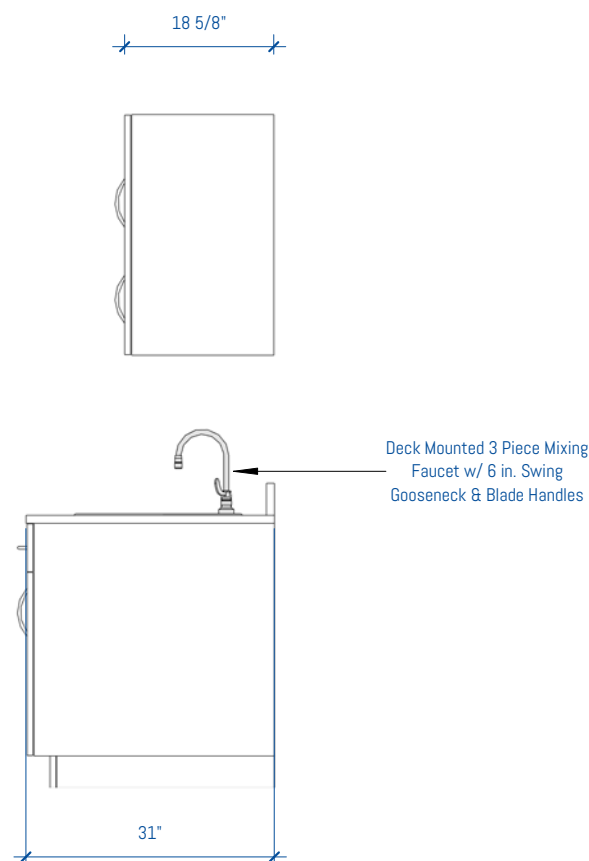
4 BREAK ROOM - LAM 8ft - OPTION 3
1/2" = 1'-0"



3 BREAK ROOM - LAM 8ft - OPTION 3



2 BREAKROOM - LAM 8ft - OPTION 3 - FRONT
1/2" = 1'-0"



1 BREAKROOM - LAM 8ft - OPTION 3 - SIDE
1/2" = 1'-0"

GENERAL NOTES

SUSTAINABILITY

- Particleboard and MDF fabricated from recycled wood waste material
- Cardboard packaging made from recycled materials
- Unusable pallets are recycled
- All aluminum scrap is recycled
- All adhesives used are water-based
- Products meet low VOC standards
- Powder coat paint is used on all metal surfaces
- Greenguard Gold Certified to provide safe, quality, environmentally friendly workspaces.
- FSC and OSHPD certified components are also available

CONSTRUCTION

- Cabinets are constructed of 3/4" thick industrial grade 40-50lb substrate, double-faced melamine
- All exposed edges are covered with 2mm PVC edge banding
- All panels are connected with hafele mini-fix cam hidden fastener system
- All cabinets are rail mounted for ease of install
- Work surfaces are constructed of 1 1/16" thick high-pressure laminate



MODULAR CASEWORK
ROOM SEGMENTS

Copyright 2017 Southwest Solutions Group. This material is proprietary and confidential and the disclosure, reproduction (by photocopy, film, blueprint or otherwise) or incorporation into any information retrieval system without first receiving written approval from Southwest Solutions Group is expressly prohibited by law.

Approved By

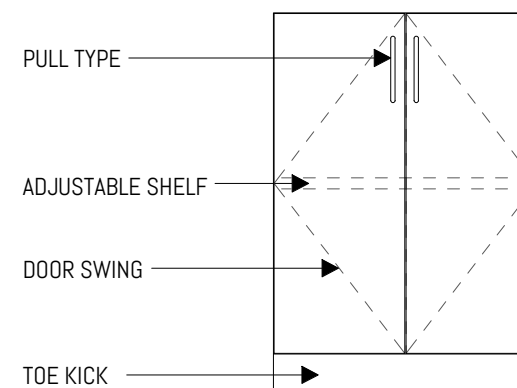
Date

Drawn by DHaynal

Salesperson SSG

Scale 1/2" = 1'-0"

LEGEND



RN DATE DESCRIPTION

SSG REVISION SCHEDULE

BREAK ROOM - LAM
8ft - OPTION 3

SHEET NUMBER

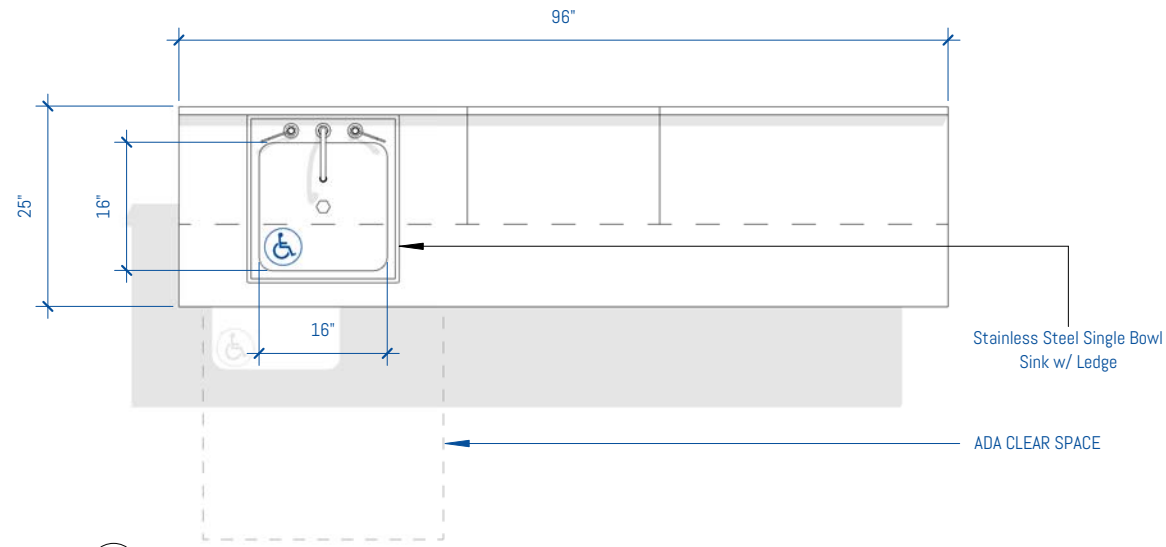
BR-13 of BR-30

FOR MORE INFORMATION

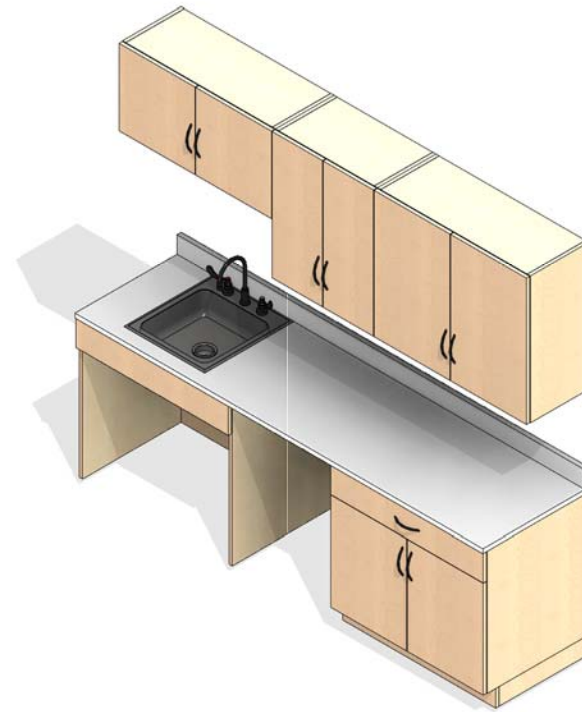
<https://bim.southwestsolutions.com>

Break Room Cabinets - 8' Wide - Option 4

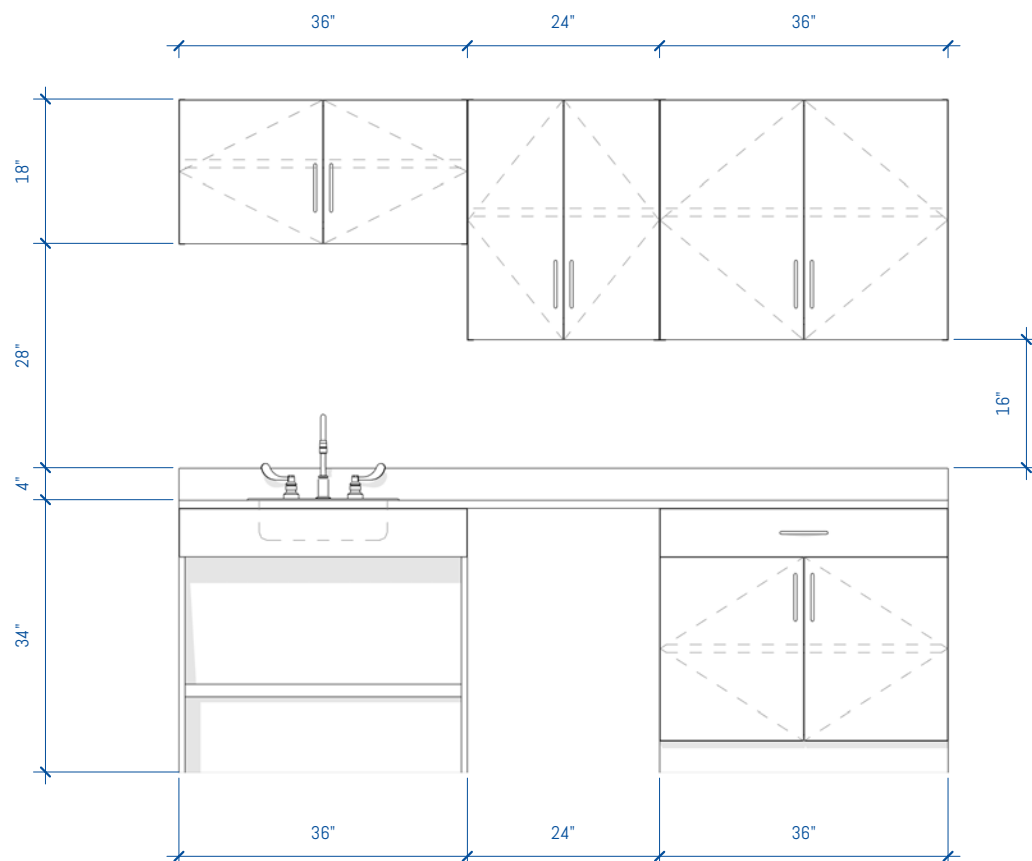
SMS-03-V90-SSG-BR08-4-L



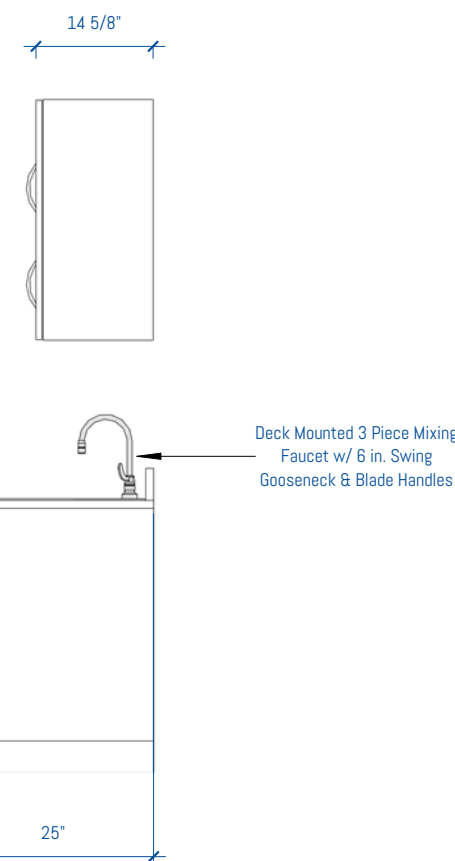
4 BREAK ROOM - LAM 8ft - OPTION 4
1/2" = 1'-0"



3 BREAK ROOM - LAM 8ft - OPTION 4



2 BREAKROOM - LAM 8ft - OPTION 4 - FRONT
1/2" = 1'-0"



1 BREAKROOM - LAM 8ft - OPTION 4 - SIDE
1/2" = 1'-0"

GENERAL NOTES

SUSTAINABILITY

- Particleboard and MDF fabricated from recycled wood waste material
- Cardboard packaging made from recycled materials
- Unusable pallets are recycled
- All aluminum scrap is recycled
- All adhesives used are water-based
- Products meet low VOC standards
- Powder coat paint is used on all metal surfaces
- Greenguard Gold Certified to provide safe, quality, environmentally friendly workspaces.
- FSC and OSHPD certified components are also available

CONSTRUCTION

- Cabinets are constructed of 3/4" thick industrial grade 40-50lb substrate, double-faced melamine
- All exposed edges are covered with 2mm PVC edge banding
- All panels are connected with hafele mini-fix cam hidden fastener system
- All cabinets are rail mounted for ease of install
- Work surfaces are constructed of 1 1/16" thick high-pressure laminate



MODULAR CASEWORK
ROOM SEGMENTS

Copyright 2017 Southwest Solutions Group. This material is proprietary and confidential and the disclosure, reproduction (by photocopy, film, blueprint or otherwise) or incorporation into any information retrieval system without first receiving written approval from Southwest Solutions Group is expressly prohibited by law.

Approved By

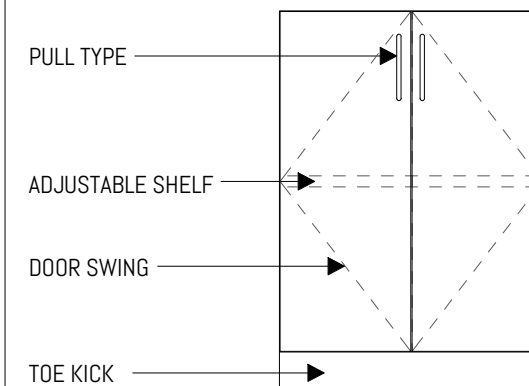
Date

Drawn by DHaynal

Salesperson SSG

Scale 1/2" = 1'-0"

LEGEND



RN DATE DESCRIPTION

SSG REVISION SCHEDULE

BREAK ROOM - LAM
8ft - OPTION 4

SHEET NUMBER

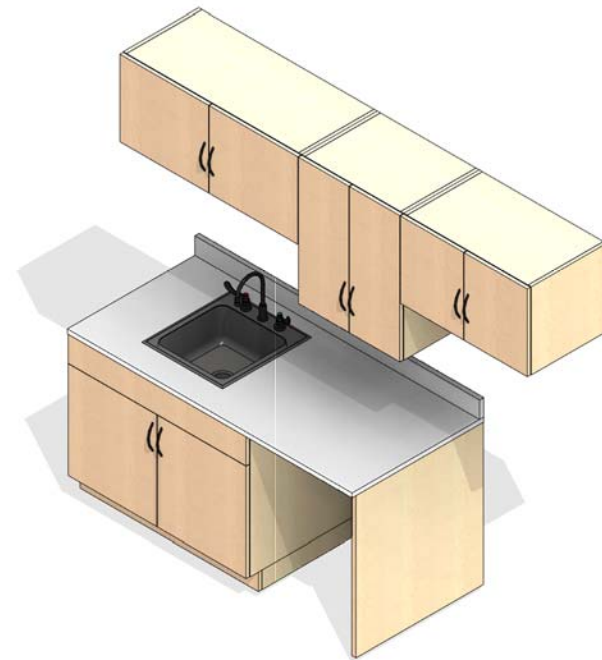
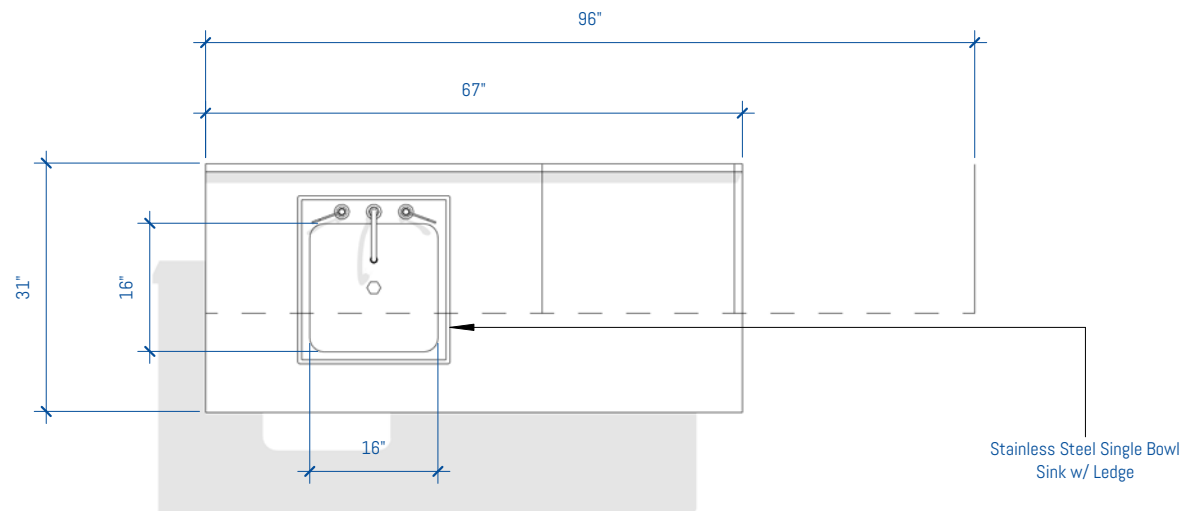
BR-14 of BR-30

FOR MORE INFORMATION

<https://bim.southwestsolutions.com>

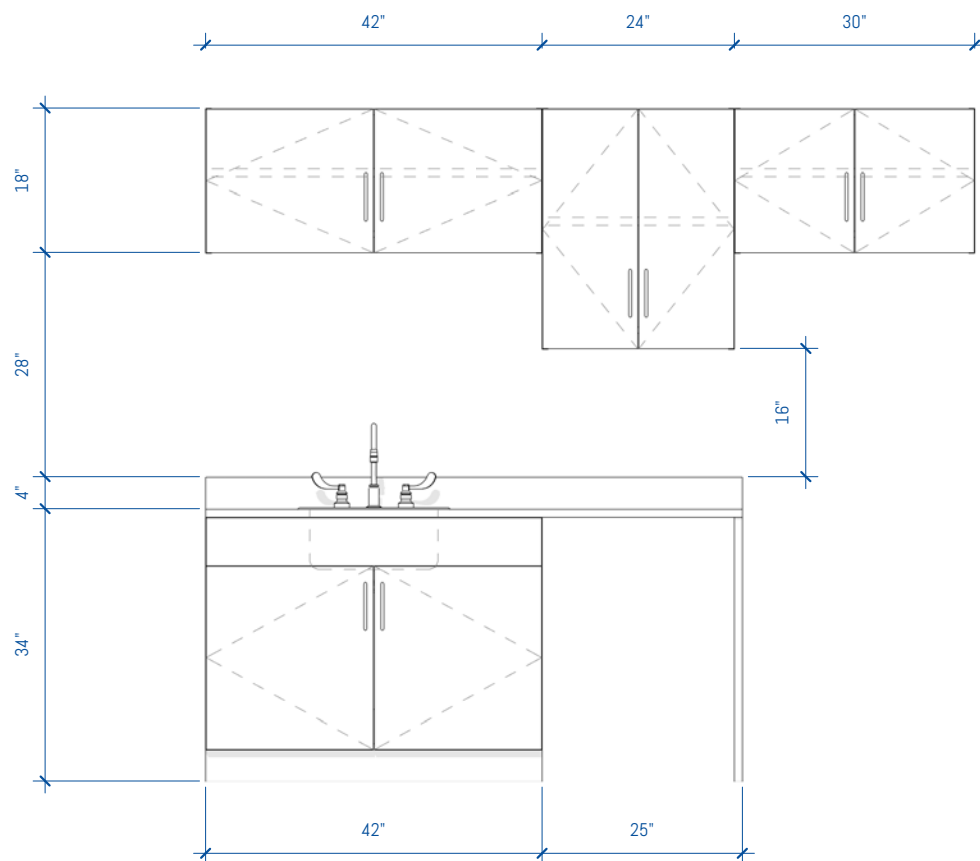
Break Room Cabinets - 8' Wide - Option 5

SMS-03-V90-SSG-BR08-5-L

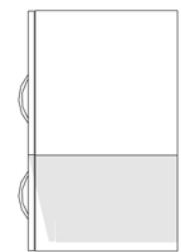


4 BREAK ROOM - LAM 8ft - OPTION 5
1/2" = 1'-0"

3 BREAK ROOM - LAM 8ft - OPTION 5



18 5/8"



2 BREAKROOM - LAM 8ft - OPTION 5 - FRONT
1/2" = 1'-0"

1 BREAKROOM - LAM 8ft - OPTION 5 - SIDE
1/2" = 1'-0"

GENERAL NOTES

SUSTAINABILITY

- Particleboard and MDF fabricated from recycled wood waste material
- Cardboard packaging made from recycled materials
- Unusable pallets are recycled
- All aluminum scrap is recycled
- All adhesives used are water-based
- Products meet low VOC standards
- Powder coat paint is used on all metal surfaces
- Greenguard Gold Certified to provide safe, quality, environmentally friendly workspaces.
- FSC and OSHPD certified components are also available

CONSTRUCTION

- Cabinets are constructed of 3/4" thick industrial grade 40-50lb substrate, double-faced melamine
- All exposed edges are covered with 2mm PVC edge banding
- All panels are connected with hafele mini-fix cam hidden fastener system
- All cabinets are rail mounted for ease of install
- Work surfaces are constructed of 1 1/16" thick high-pressure laminate



MODULAR CASEWORK
ROOM SEGMENTS

Copyright 2017 Southwest Solutions Group. This material is proprietary and confidential and the disclosure, reproduction (by photocopy, film, blueprint or otherwise) or incorporation into any information retrieval system without first receiving written approval from Southwest Solutions Group is expressly prohibited by law.

Approved By

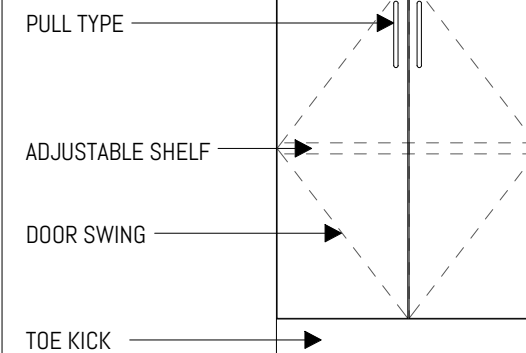
Date

Drawn by DHaynal

Salesperson SSG

Scale 1/2" = 1'-0"

LEGEND



RN	DATE	DESCRIPTION
SSG REVISION SCHEDULE		

BREAK ROOM - LAM
8ft - OPTION 5

SHEET NUMBER

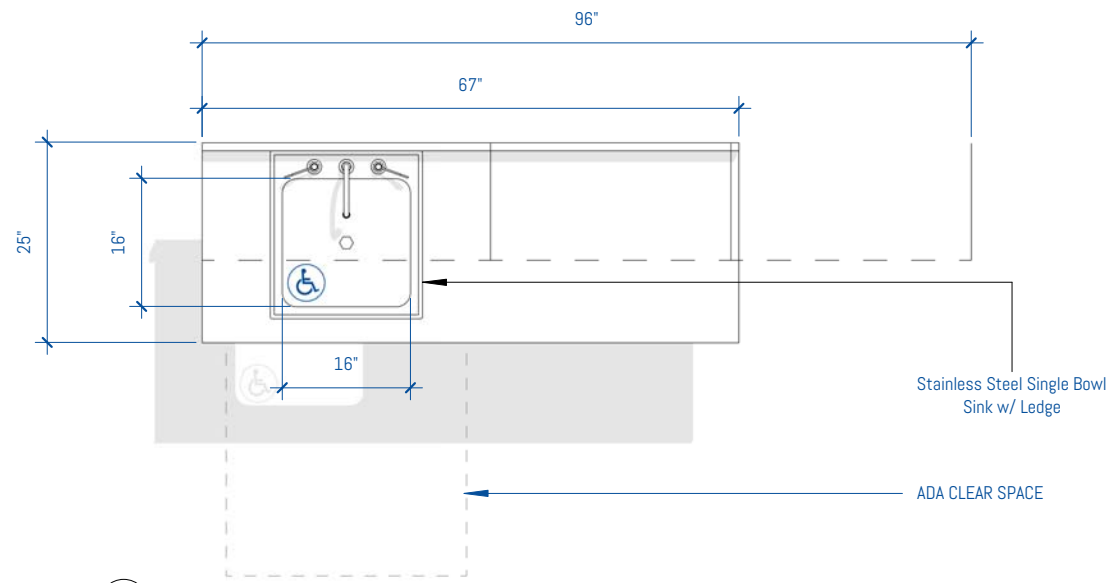
BR-15 of BR-30

FOR MORE INFORMATION

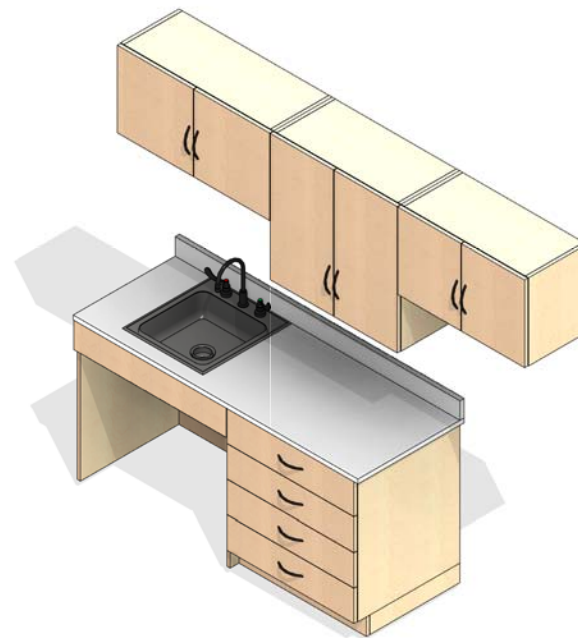
<https://bim.southwestsolutions.com>

Break Room Cabinets - 8' Wide - Option 6

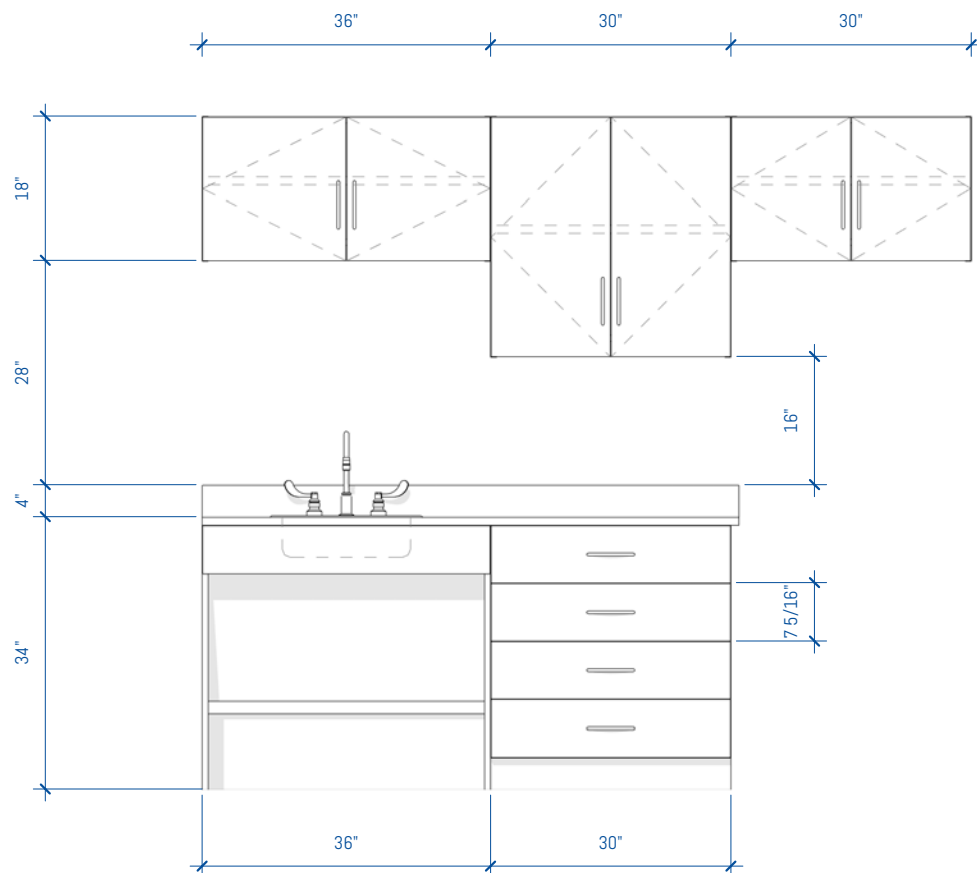
SMS-03-V90-SSG-BR08-6-L



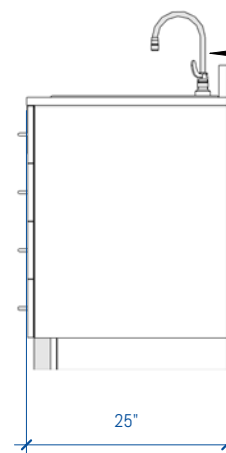
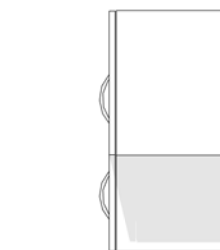
4 BREAK ROOM - LAM 8ft - OPTION 6
1/2" = 1'-0"



3 BREAK ROOM - LAM 8ft - OPTION 6



2 BREAKROOM - LAM 8ft - OPTION 6 - FRONT
1/2" = 1'-0"



1 BREAKROOM - LAM 8ft - OPTION 6 - SIDE
1/2" = 1'-0"

GENERAL NOTES

SUSTAINABILITY

- Particleboard and MDF fabricated from recycled wood waste material
- Cardboard packaging made from recycled materials
- Unusable pallets are recycled
- All aluminum scrap is recycled
- All adhesives used are water-based
- Products meet low VOC standards
- Powder coat paint is used on all metal surfaces
- Greenguard Gold Certified to provide safe, quality, environmentally friendly workspaces.
- FSC and OSHPD certified components are also available

CONSTRUCTION

- Cabinets are constructed of 3/4" thick industrial grade 40-50lb substrate, double-faced melamine
- All exposed edges are covered with 2mm PVC edge banding
- All panels are connected with hafele mini-fix cam hidden fastener system
- All cabinets are rail mounted for ease of install
- Work surfaces are constructed of 1 1/16" thick high-pressure laminate



MODULAR CASEWORK
ROOM SEGMENTS

Copyright 2017 Southwest Solutions Group. This material is proprietary and confidential and the disclosure, reproduction (by photocopy, film, blueprint or otherwise) or incorporation into any information retrieval system without first receiving written approval from Southwest Solutions Group is expressly prohibited by law.

Approved By

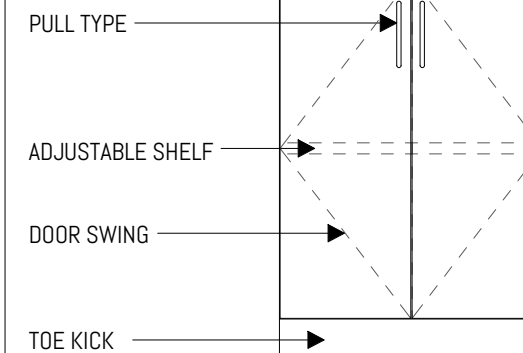
Date

Drawn by DHaynal

Salesperson SSG

Scale 1/2" = 1'-0"

LEGEND



RN DATE DESCRIPTION

SSG REVISION SCHEDULE

BREAK ROOM - LAM
8ft - OPTION 6

SHEET NUMBER

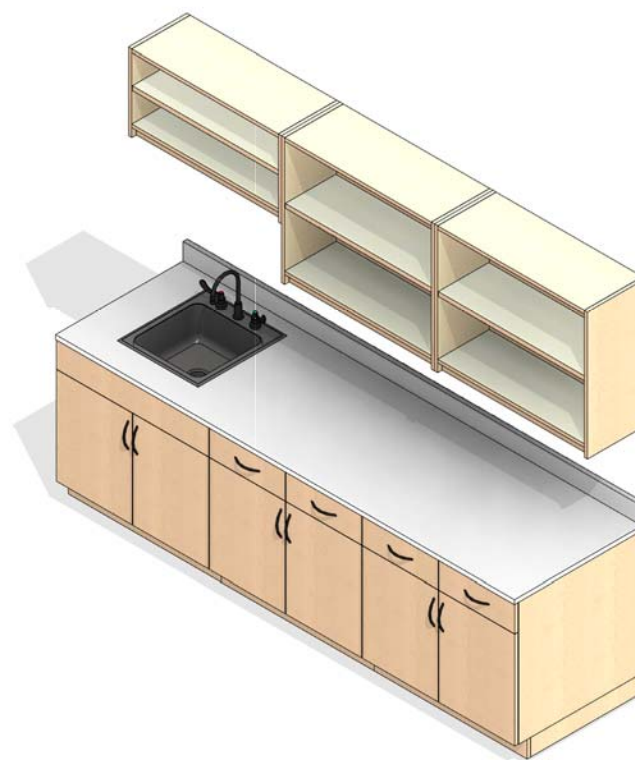
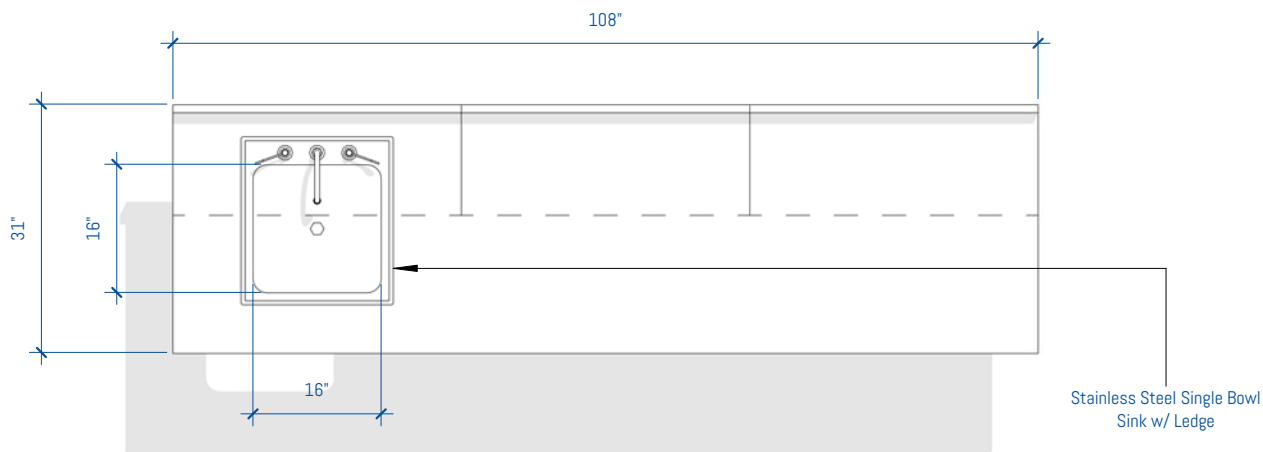
BR-16 of BR-30

FOR MORE INFORMATION

<https://bim.southwestsolutions.com>

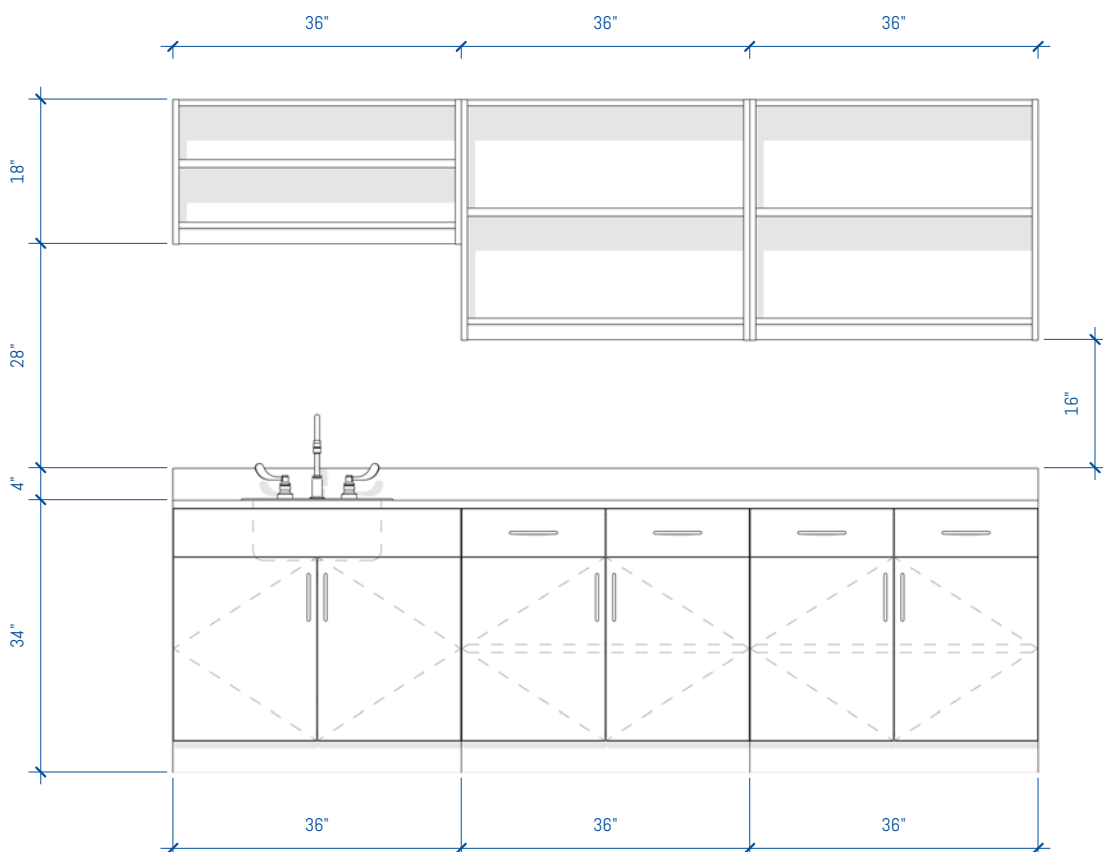
Break Room Cabinets - 9' Wide - Option 1

SMS-03-V90-SSG-BR09-1-L

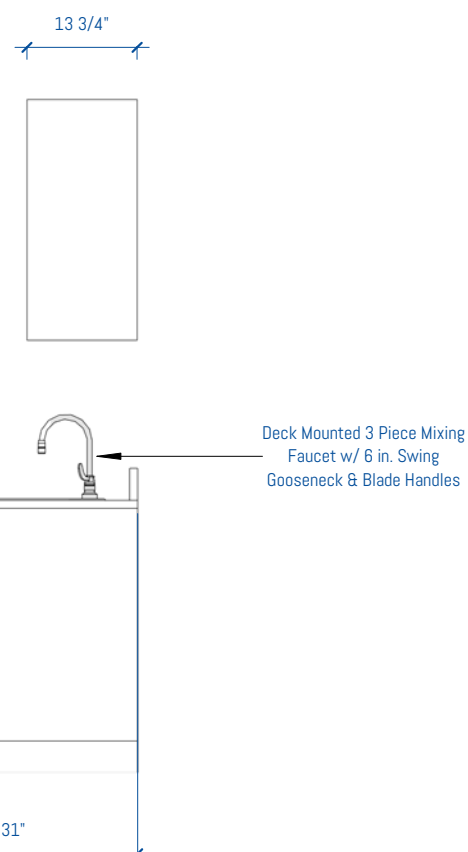


4 BREAK ROOM - LAM 9ft - OPTION 1
1/2" = 1'-0"

3 BREAK ROOM - LAM 9ft - OPTION 1



2 BREAKROOM - LAM 9ft - OPTION 1 - FRONT
1/2" = 1'-0"



1 BREAKROOM - LAM 9ft - OPTION 1 - SIDE
1/2" = 1'-0"

GENERAL NOTES

SUSTAINABILITY

- Particleboard and MDF fabricated from recycled wood waste material
- Cardboard packaging made from recycled materials
- Unusable pallets are recycled
- All aluminum scrap is recycled
- All adhesives used are water-based
- Products meet low VOC standards
- Powder coat paint is used on all metal surfaces
- Greenguard Gold Certified to provide safe, quality, environmentally friendly workspaces.
- FSC and OSHPD certified components are also available

CONSTRUCTION

- Cabinets are constructed of 3/4" thick industrial grade 40-50lb substrate, double-faced melamine
- All exposed edges are covered with 2mm PVC edge banding
- All panels are connected with hafele mini-fix cam hidden fastener system
- All cabinets are rail mounted for ease of install
- Work surfaces are constructed of 1 1/16" thick high-pressure laminate



MODULAR CASEWORK
ROOM SEGMENTS

Copyright 2017 Southwest Solutions Group. This material is proprietary and confidential and the disclosure, reproduction (by photocopy, film, blueprint or otherwise) or incorporation into any information retrieval system without first receiving written approval from Southwest Solutions Group is expressly prohibited by law.

Approved By

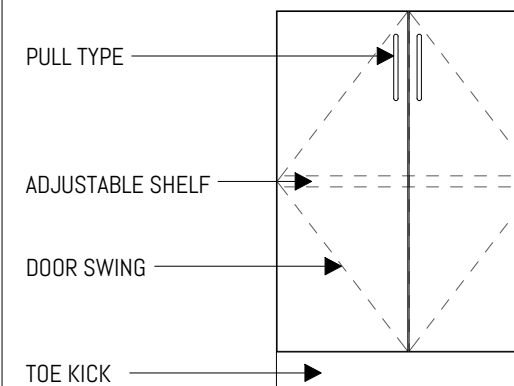
Date

Drawn by DHaynal

Salesperson SSG

Scale 1/2" = 1'-0"

LEGEND



RN DATE DESCRIPTION

SSG REVISION SCHEDULE

BREAK ROOM - LAM
9ft - OPTION 1

SHEET NUMBER

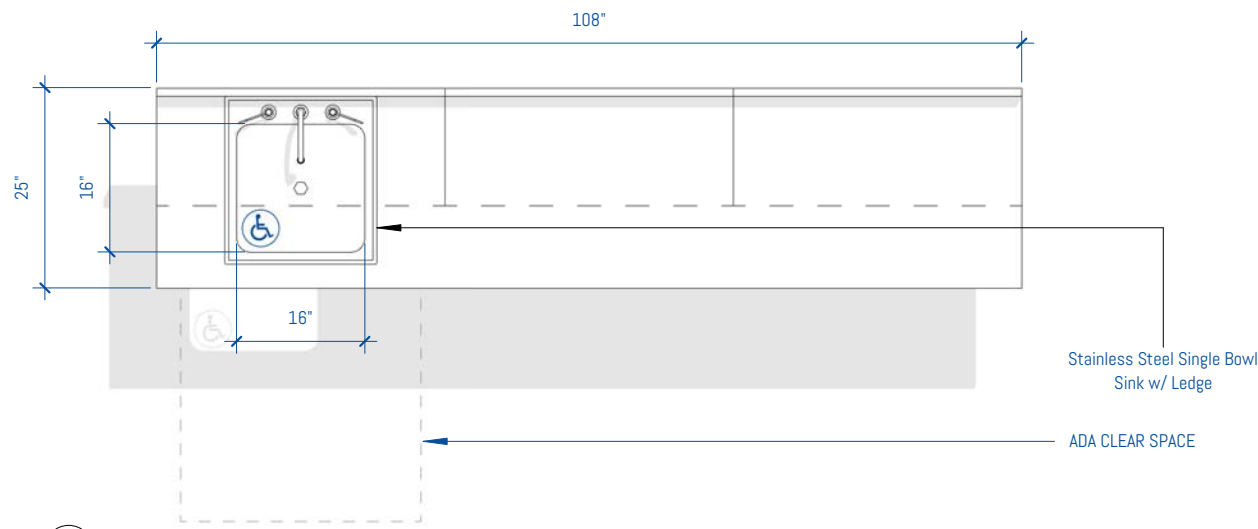
BR-17 of BR-30

FOR MORE INFORMATION

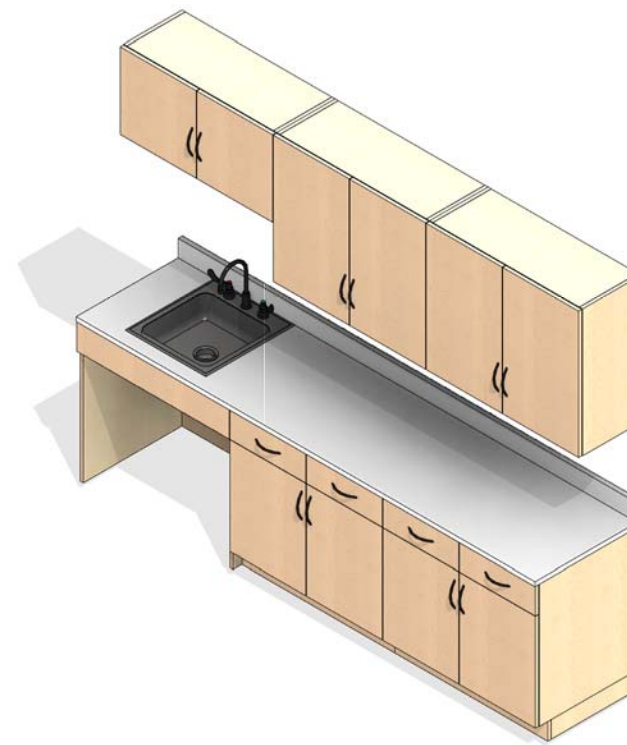
<https://bim.southwestsolutions.com>

Break Room Cabinets - 9' Wide - Option 2

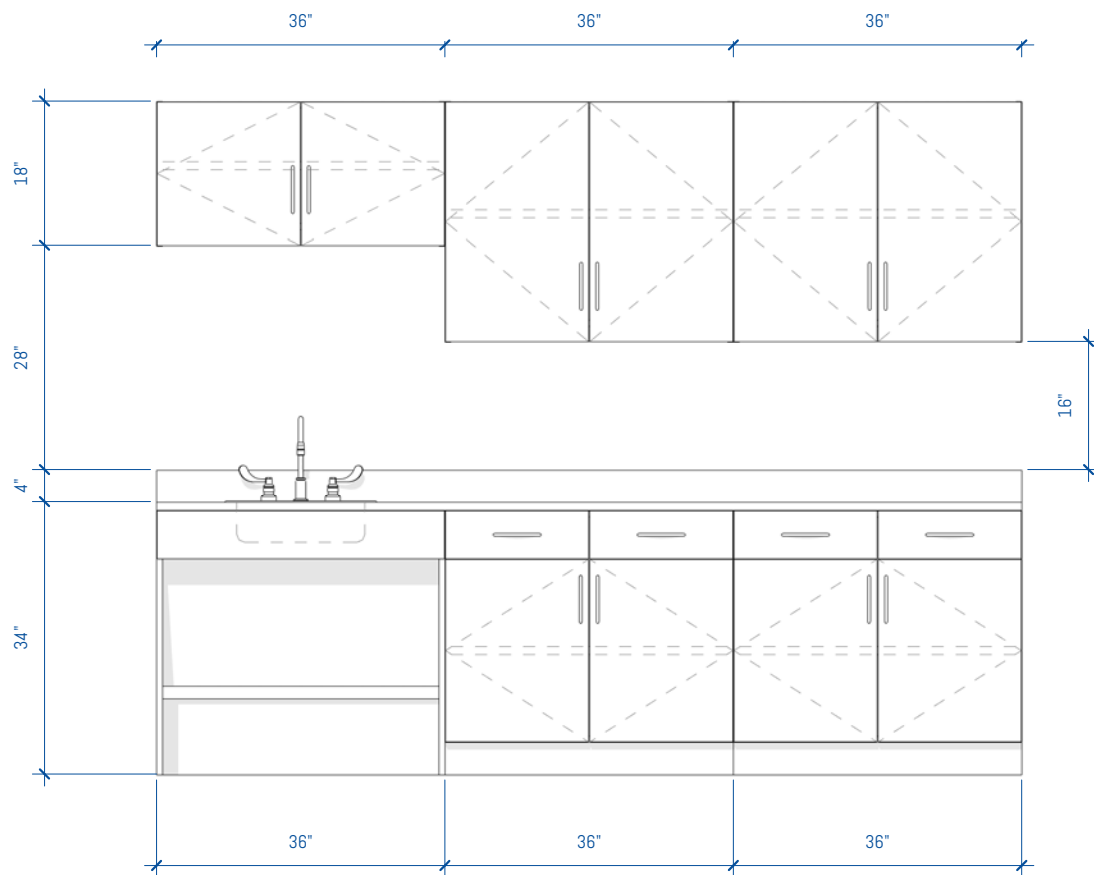
SMS-03-V90-SSG-BR09-2-L



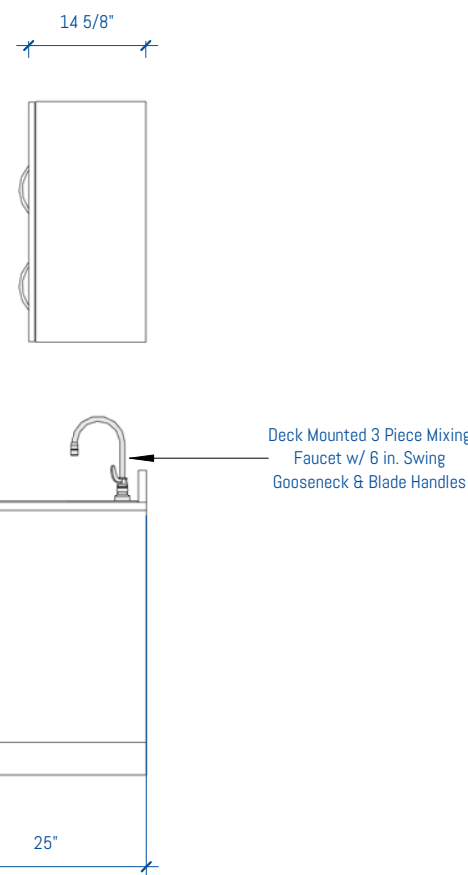
4 BREAK ROOM - LAM 9ft - OPTION 2
1/2" = 1'-0"



3 BREAK ROOM - LAM 9ft - OPTION 2



2 BREAKROOM - LAM 9ft - OPTION 2 - FRONT
1/2" = 1'-0"



1 BREAKROOM - LAM 9ft - OPTION 2 - SIDE
1/2" = 1'-0"

GENERAL NOTES

SUSTAINABILITY

- Particleboard and MDF fabricated from recycled wood waste material
- Cardboard packaging made from recycled materials
- Unusable pallets are recycled
- All aluminum scrap is recycled
- All adhesives used are water-based
- Products meet low VOC standards
- Powder coat paint is used on all metal surfaces
- Greenguard Gold Certified to provide safe, quality, environmentally friendly workspaces.
- FSC and OSHPD certified components are also available

CONSTRUCTION

- Cabinets are constructed of 3/4" thick industrial grade 40-50lb substrate, double-faced melamine
- All exposed edges are covered with 2mm PVC edge banding
- All panels are connected with hafele mini-fix cam hidden fastener system
- All cabinets are rail mounted for ease of install
- Work surfaces are constructed of 1 1/16" thick high-pressure laminate



MODULAR CASEWORK
ROOM SEGMENTS

Copyright 2017 Southwest Solutions Group. This material is proprietary and confidential and the disclosure, reproduction (by photocopy, film, blueprint or otherwise) or incorporation into any information retrieval system without first receiving written approval from Southwest Solutions Group is expressly prohibited by law.

Approved By

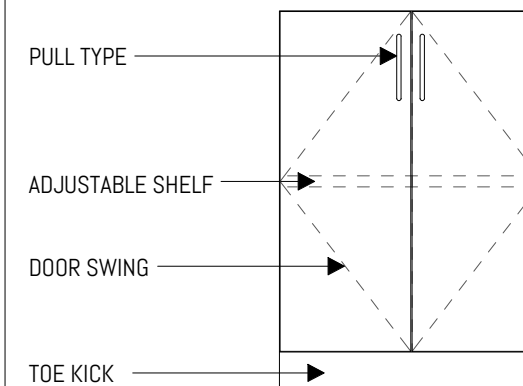
Date

Drawn by DHaynal

Salesperson SSG

Scale 1/2" = 1'-0"

LEGEND



RN DATE DESCRIPTION

SSG REVISION SCHEDULE

BREAK ROOM - LAM
9ft - OPTION 2

SHEET NUMBER

BR-18 of BR-30

FOR MORE INFORMATION

<https://bim.southwestsolutions.com>

Break Room Cabinets - 9' Wide - Option 3

SMS-03-V90-SSG-BR09-3-L

GENERAL NOTES



SUSTAINABILITY

- Particleboard and MDF fabricated from recycled wood waste material
- Cardboard packaging made from recycled materials
- Unusable pallets are recycled
- All aluminum scrap is recycled
- All adhesives used are water-based
- Products meet low VOC standards
- Powder coat paint is used on all metal surfaces
- Greenguard Gold Certified to provide safe, quality, environmentally friendly workspaces.
- FSC and OSHPD certified components are also available

CONSTRUCTION

- Cabinets are constructed of 3/4" thick industrial grade 40-50lb substrate, double-faced melamine
- All exposed edges are covered with 2mm PVC edge banding
- All panels are connected with hafele mini-fix cam hidden fastener system
- All cabinets are rail mounted for ease of install
- Work surfaces are constructed of 1 1/16" thick high-pressure laminate

MODULAR CASEWORK
ROOM SEGMENTS

Copyright 2017 Southwest Solutions Group. This material is proprietary and confidential and the disclosure, reproduction (by photocopy, film, blueprint or otherwise) or incorporation into any information retrieval system without first receiving written approval from Southwest Solutions Group is expressly prohibited by law.

Approved By

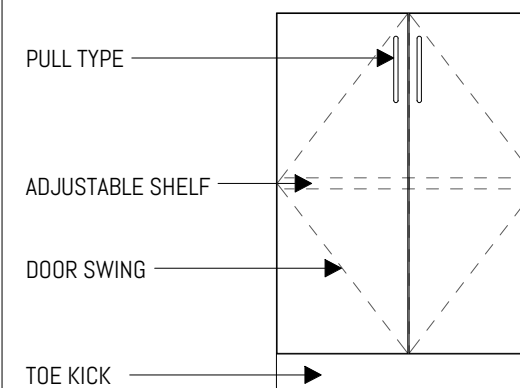
Date

Drawn by DHaynal

Salesperson SSG

Scale 1/2" = 1'-0"

LEGEND



RN	DATE	DESCRIPTION
SSG REVISION SCHEDULE		

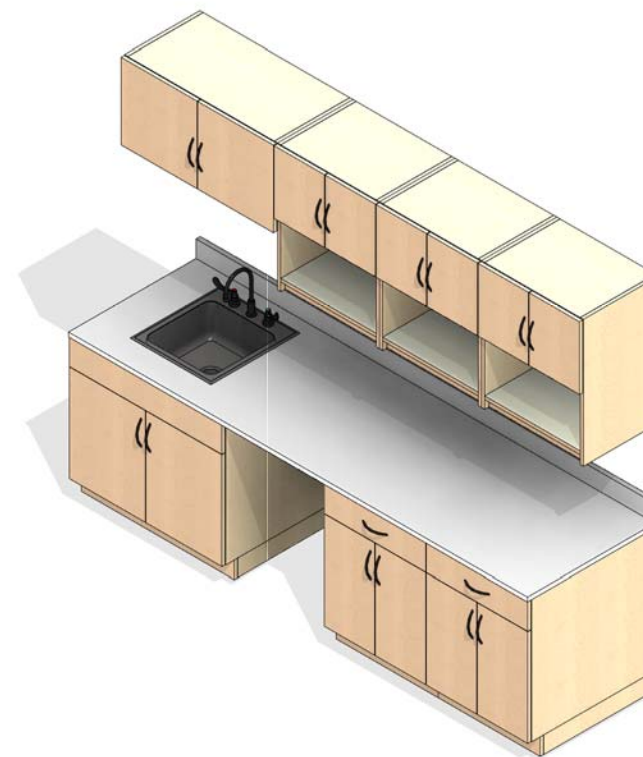
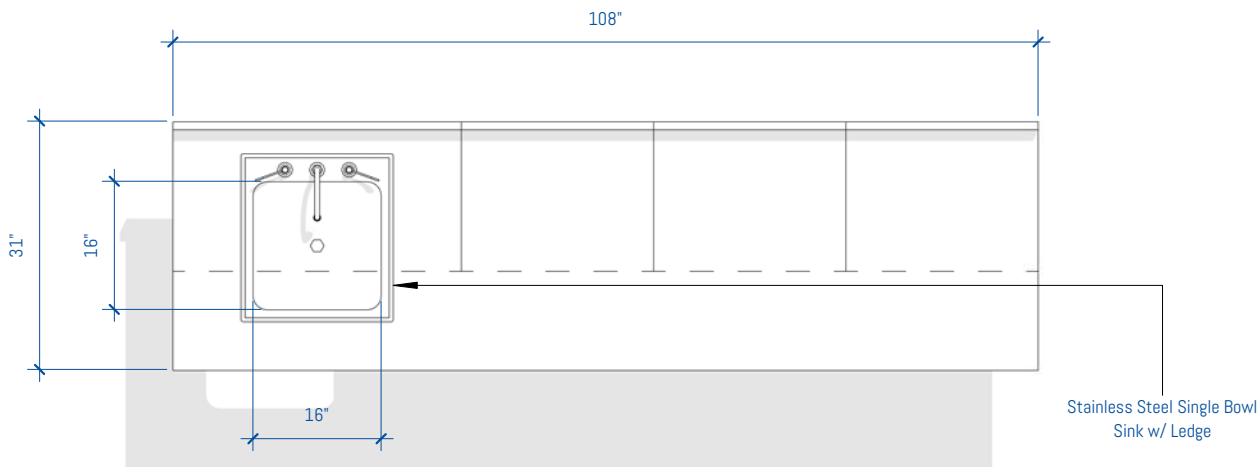
BREAK ROOM - LAM
9ft - OPTION 3

SHEET NUMBER

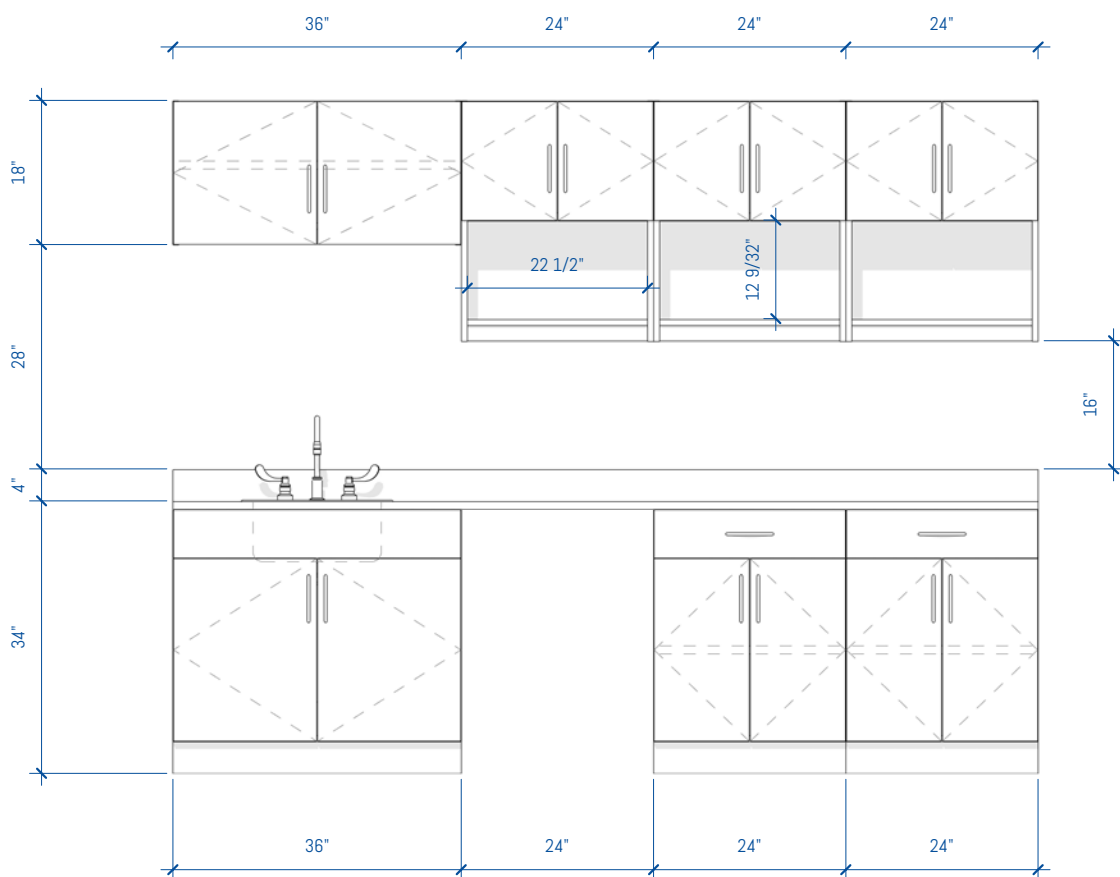
BR-19 of BR-30

FOR MORE INFORMATION

<https://bim.southwestsolutions.com>

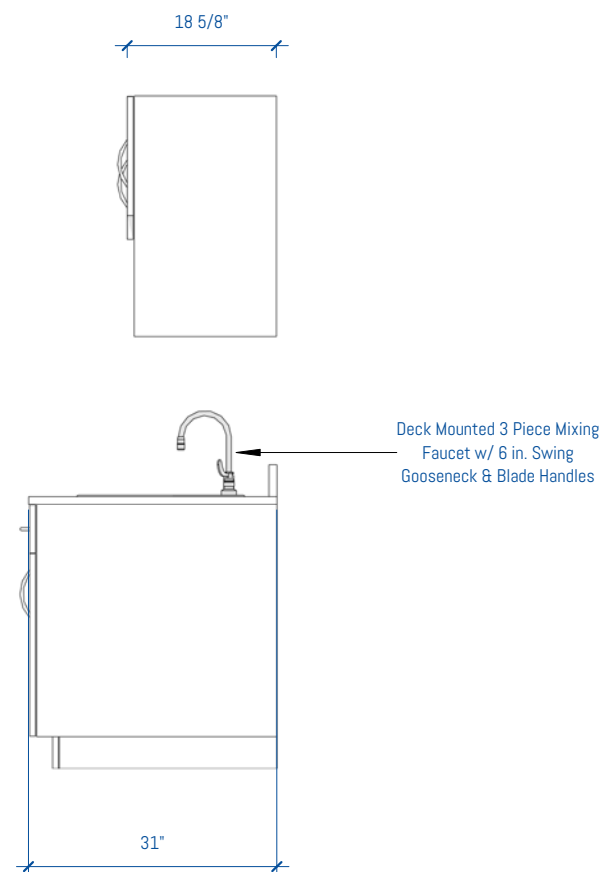


4 BREAK ROOM - LAM 9ft - OPTION 3
1/2" = 1'-0"



2 BREAKROOM - LAM 9ft - OPTION 3 - FRONT
1/2" = 1'-0"

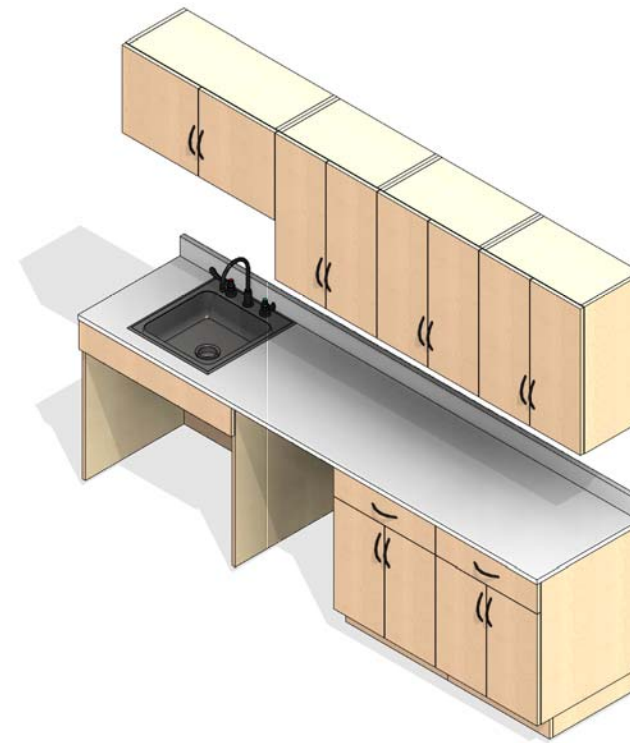
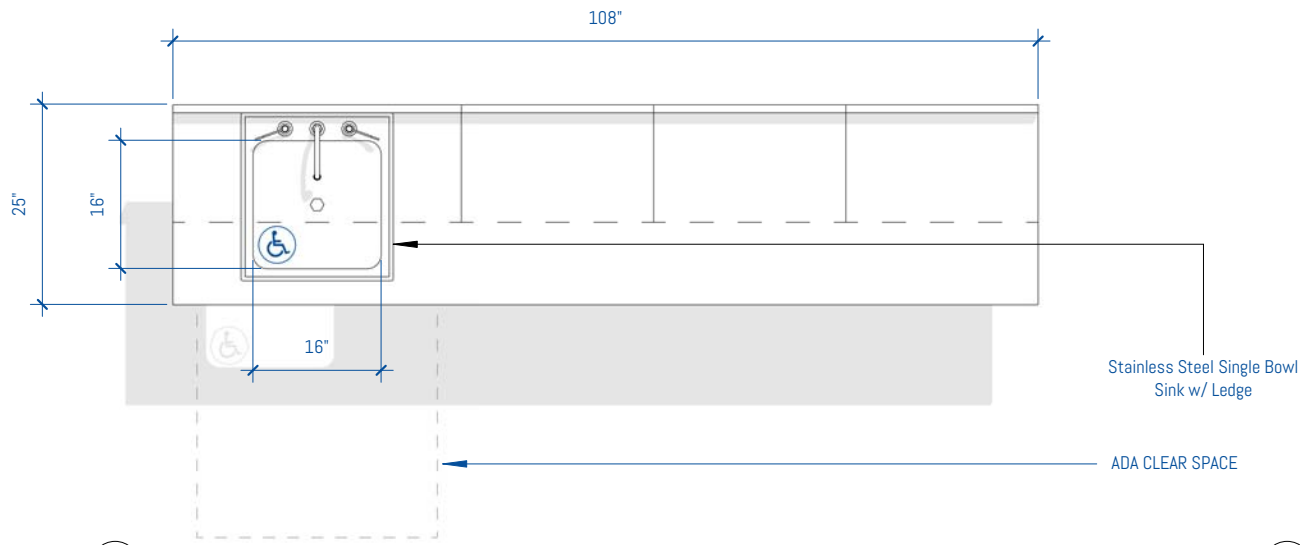
3 BREAK ROOM - LAM 9ft - OPTION 3



1 BREAKROOM - LAM 9ft - OPTION 3 - SIDE
1/2" = 1'-0"

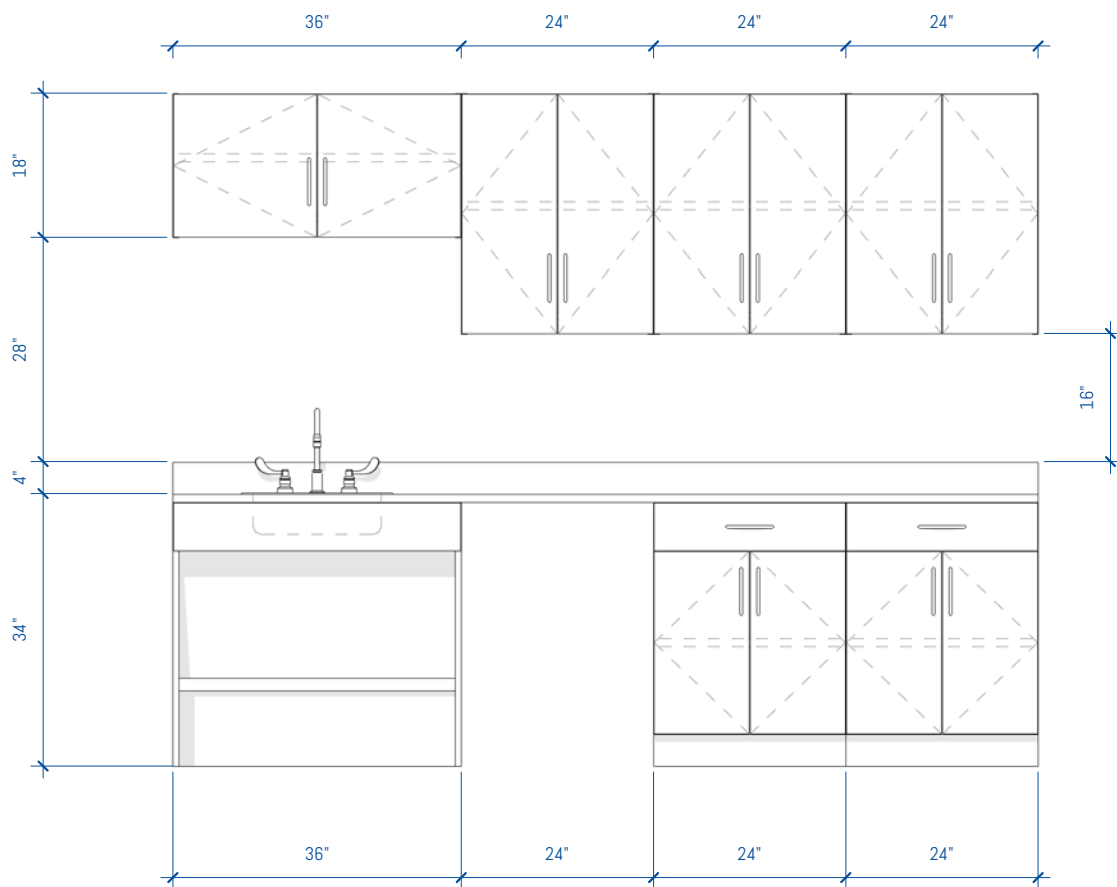
Break Room Cabinets - 9' Wide - Option 4

SMS-03-V90-SSG-BR09-4-L

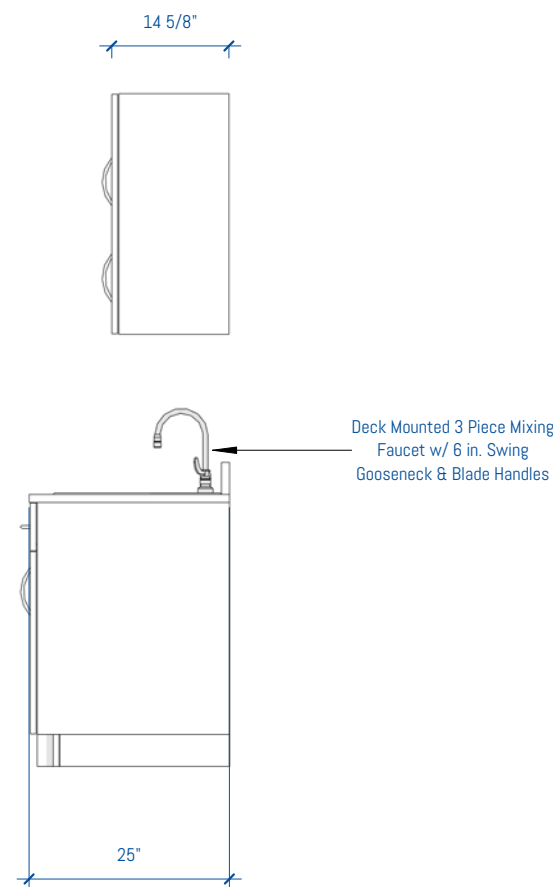


4 BREAK ROOM - LAM 9ft - OPTION 4
1/2" = 1'-0"

3 BREAK ROOM - LAM 9ft - OPTION 4



2 BREAKROOM - LAM 9ft - OPTION 4 - FRONT
1/2" = 1'-0"



1 BREAKROOM - LAM 9ft - OPTION 4 - SIDE
1/2" = 1'-0"

GENERAL NOTES

SUSTAINABILITY

- Particleboard and MDF fabricated from recycled wood waste material
- Cardboard packaging made from recycled materials
- Unusable pallets are recycled
- All aluminum scrap is recycled
- All adhesives used are water-based
- Products meet low VOC standards
- Powder coat paint is used on all metal surfaces
- Greenguard Gold Certified to provide safe, quality, environmentally friendly workspaces.
- FSC and OSHPD certified components are also available

CONSTRUCTION

- Cabinets are constructed of 3/4" thick industrial grade 40-50lb substrate, double-faced melamine
- All exposed edges are covered with 2mm PVC edge banding
- All panels are connected with hafele mini-fix cam hidden fastener system
- All cabinets are rail mounted for ease of install
- Work surfaces are constructed of 1 1/16" thick high-pressure laminate



MODULAR CASEWORK
ROOM SEGMENTS

Copyright 2017 Southwest Solutions Group. This material is proprietary and confidential and the disclosure, reproduction (by photocopy, film, blueprint or otherwise) or incorporation into any information retrieval system without first receiving written approval from Southwest Solutions Group is expressly prohibited by law.

Approved By

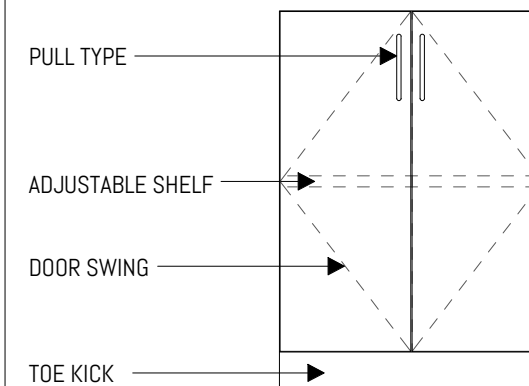
Date

Drawn by DHaynal

Salesperson SSG

Scale 1/2" = 1'-0"

LEGEND



RN DATE DESCRIPTION

SSG REVISION SCHEDULE

BREAK ROOM - LAM
9ft - OPTION 4

SHEET NUMBER

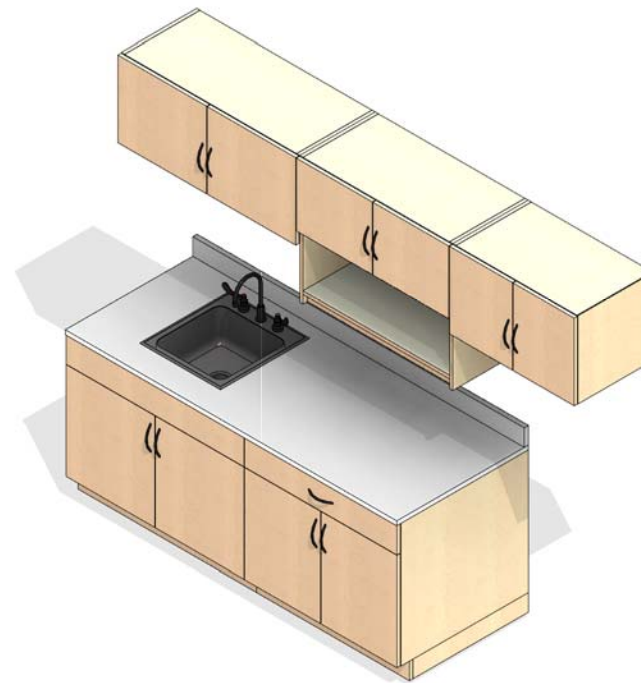
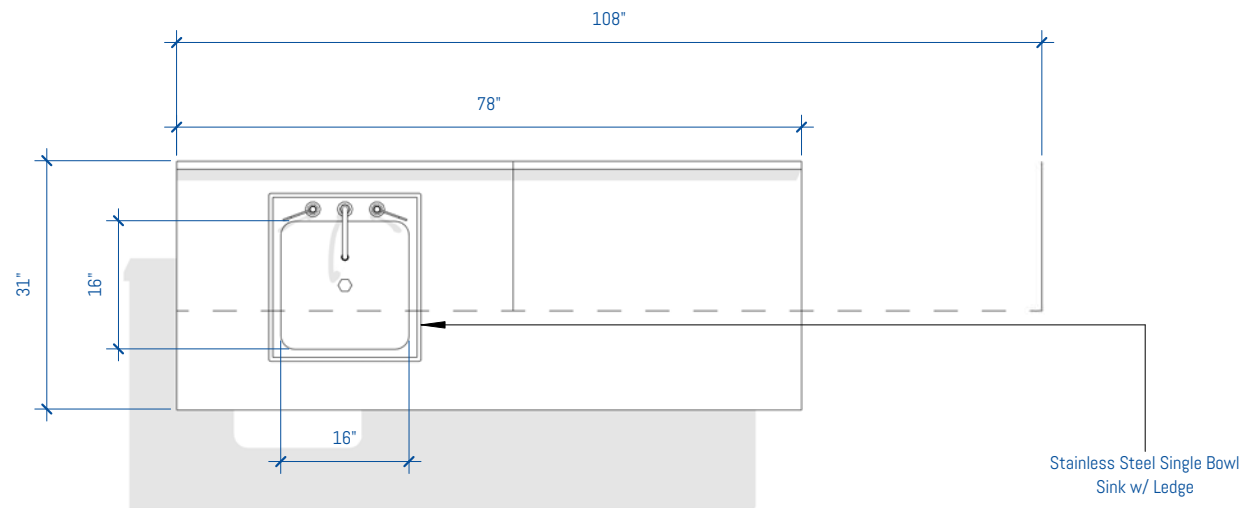
BR-20 of BR-30

FOR MORE INFORMATION

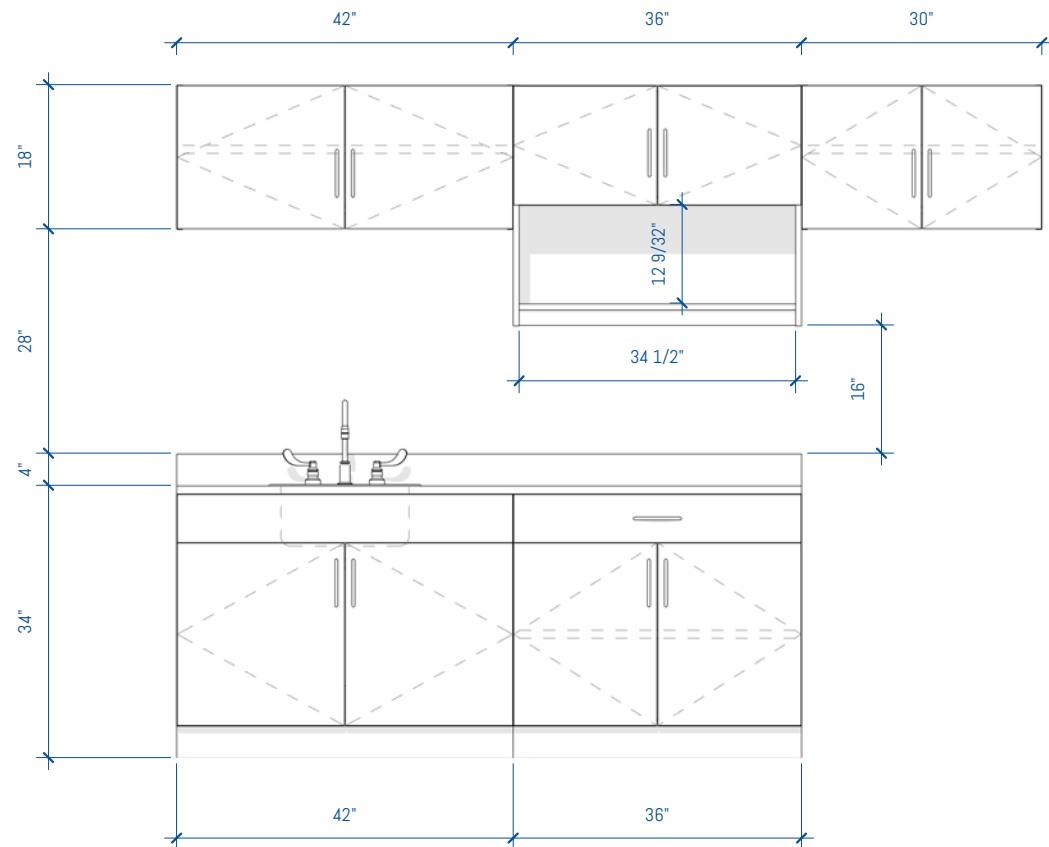
<https://bim.southwestsolutions.com>

Break Room Cabinets - 9' Wide - Option 5

SMS-03-V90-SSG-BR09-5-L

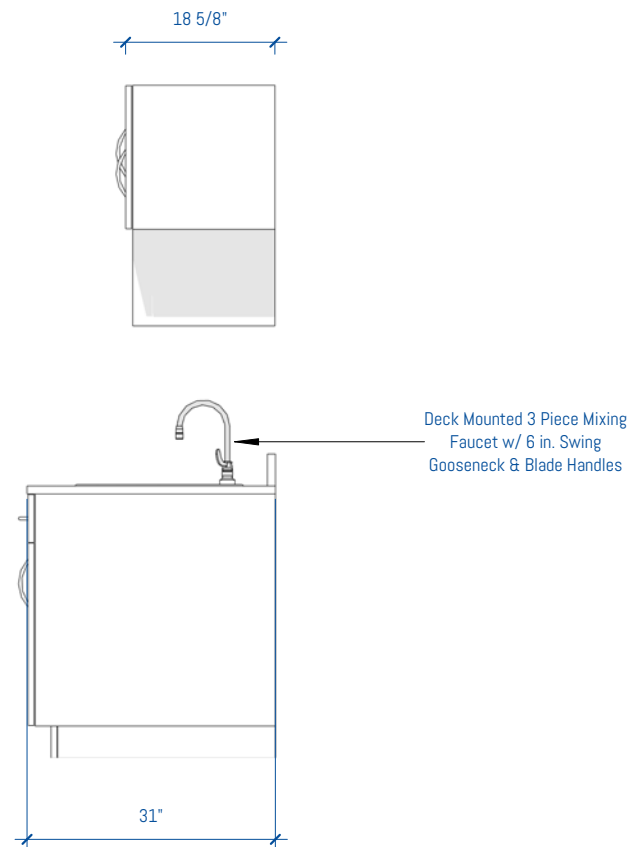


4 BREAK ROOM - LAM 9ft - OPTION 5
1/2" = 1'-0"



2 BREAKROOM - LAM 9ft - OPTION 5 - FRONT
1/2" = 1'-0"

3 BREAK ROOM - LAM 9ft - OPTION 5



1 BREAKROOM - LAM 9ft - OPTION 5 - SIDE
1/2" = 1'-0"

GENERAL NOTES

SUSTAINABILITY

- Particleboard and MDF fabricated from recycled wood waste material
- Cardboard packaging made from recycled materials
- Unusable pallets are recycled
- All aluminum scrap is recycled
- All adhesives used are water-based
- Products meet low VOC standards
- Powder coat paint is used on all metal surfaces
- Greenguard Gold Certified to provide safe, quality, environmentally friendly workspaces.
- FSC and OSHPD certified components are also available

CONSTRUCTION

- Cabinets are constructed of 3/4" thick industrial grade 40-50lb substrate, double-faced melamine
- All exposed edges are covered with 2mm PVC edge banding
- All panels are connected with hafele mini-fix cam hidden fastener system
- All cabinets are rail mounted for ease of install
- Work surfaces are constructed of 1 1/16" thick high-pressure laminate



MODULAR CASEWORK
ROOM SEGMENTS

Copyright 2017 Southwest Solutions Group. This material is proprietary and confidential and the disclosure, reproduction (by photocopy, film, blueprint or otherwise) or incorporation into any information retrieval system without first receiving written approval from Southwest Solutions Group is expressly prohibited by law.

Approved By

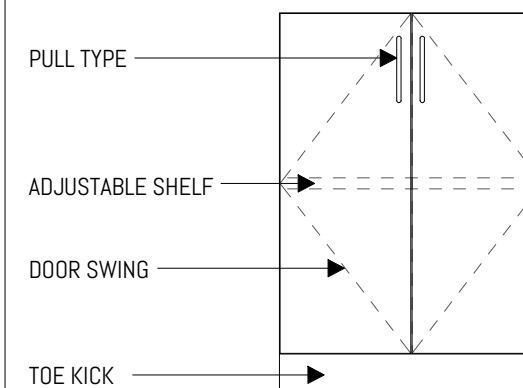
Date

Drawn by DHaynal

Salesperson SSG

Scale 1/2" = 1'-0"

LEGEND



RN DATE DESCRIPTION

SSG REVISION SCHEDULE

BREAK ROOM - LAM
9ft - OPTION 5

SHEET NUMBER

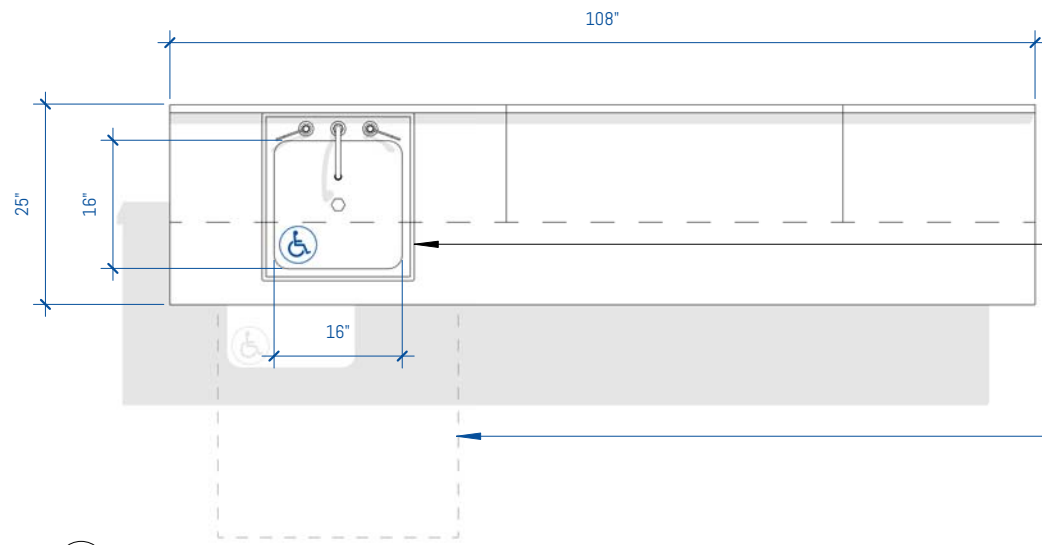
BR-21 of BR-30

FOR MORE INFORMATION

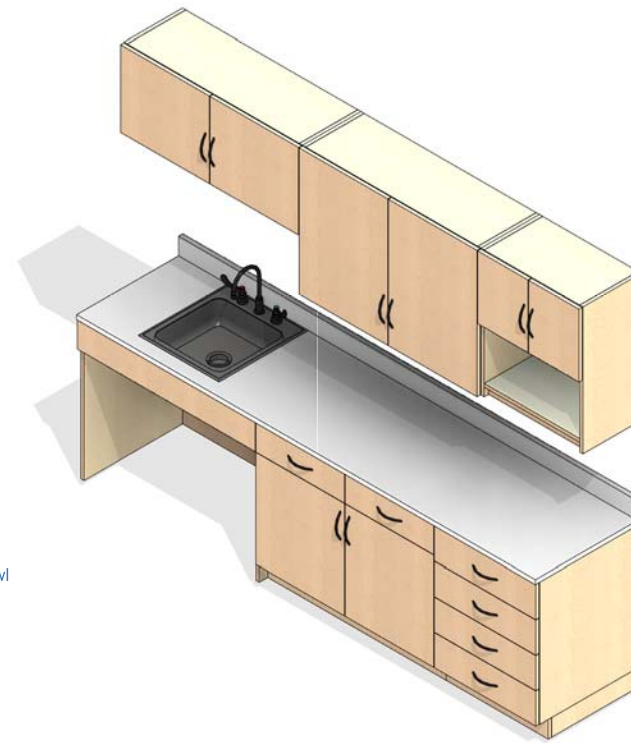
<https://bim.southwestsolutions.com>

Break Room Cabinets - 9' Wide - Option 6

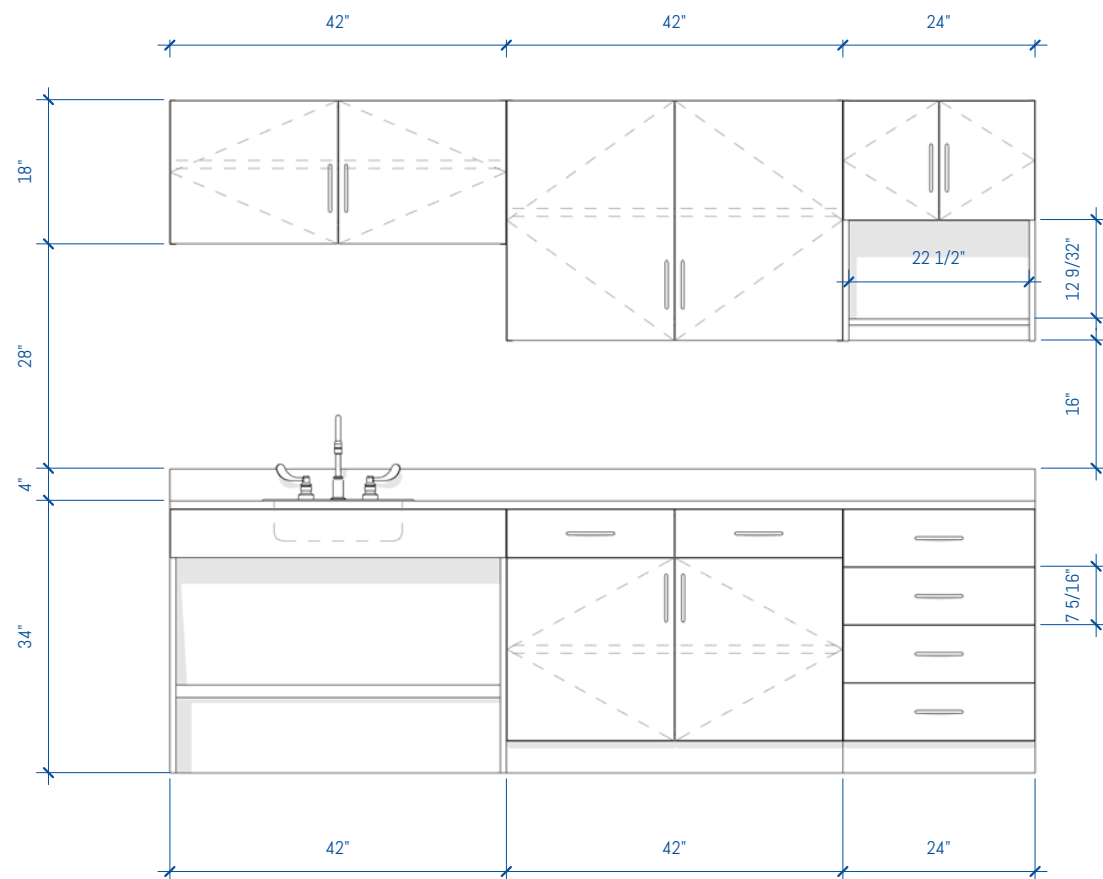
SMS-03-V90-SSG-BR09-6-L



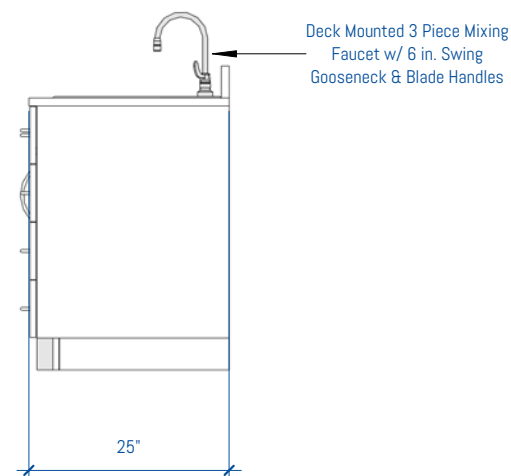
4 BREAK ROOM - LAM 9ft - OPTION 6
1/2" = 1'-0"



3 BREAK ROOM - LAM 9ft - OPTION 6



2 BREAKROOM - LAM 9ft - OPTION 6 - FRONT
1/2" = 1'-0"



1 BREAKROOM - LAM 9ft - OPTION 6 - SIDE
1/2" = 1'-0"

GENERAL NOTES

SUSTAINABILITY

- Particleboard and MDF fabricated from recycled wood waste material
- Cardboard packaging made from recycled materials
- Unusable pallets are recycled
- All aluminum scrap is recycled
- All adhesives used are water-based
- Products meet low VOC standards
- Powder coat paint is used on all metal surfaces
- Greenguard Gold Certified to provide safe, quality, environmentally friendly workspaces.
- FSC and OSHPD certified components are also available

CONSTRUCTION

- Cabinets are constructed of 3/4" thick industrial grade 40-50lb substrate, double-faced melamine
- All exposed edges are covered with 2mm PVC edge banding
- All panels are connected with hafele mini-fix cam hidden fastener system
- All cabinets are rail mounted for ease of install
- Work surfaces are constructed of 1 1/16" thick high-pressure laminate



MODULAR CASEWORK
ROOM SEGMENTS

Copyright 2017 Southwest Solutions Group. This material is proprietary and confidential and the disclosure, reproduction (by photocopy, film, blueprint or otherwise) or incorporation into any information retrieval system without first receiving written approval from Southwest Solutions Group is expressly prohibited by law.

Approved By

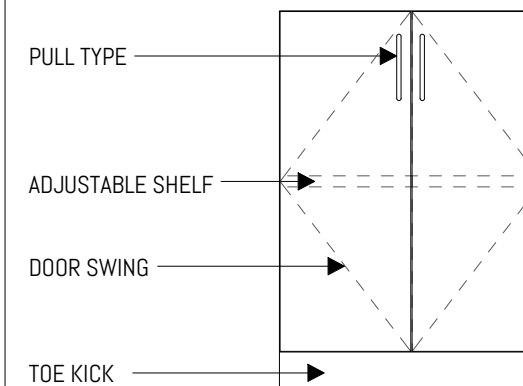
Date

Drawn by DHaynal

Salesperson SSG

Scale 1/2" = 1'-0"

LEGEND



RN DATE DESCRIPTION

SSG REVISION SCHEDULE

BREAK ROOM - LAM
9ft - OPTION 6

SHEET NUMBER

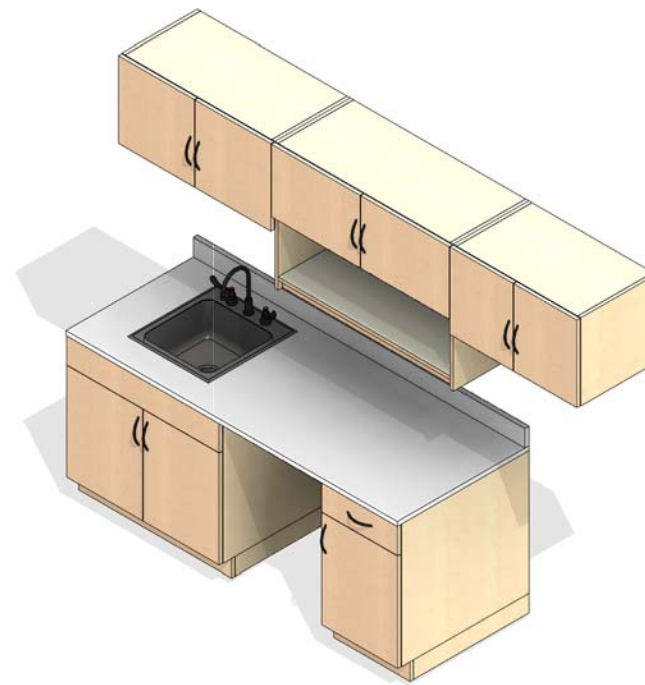
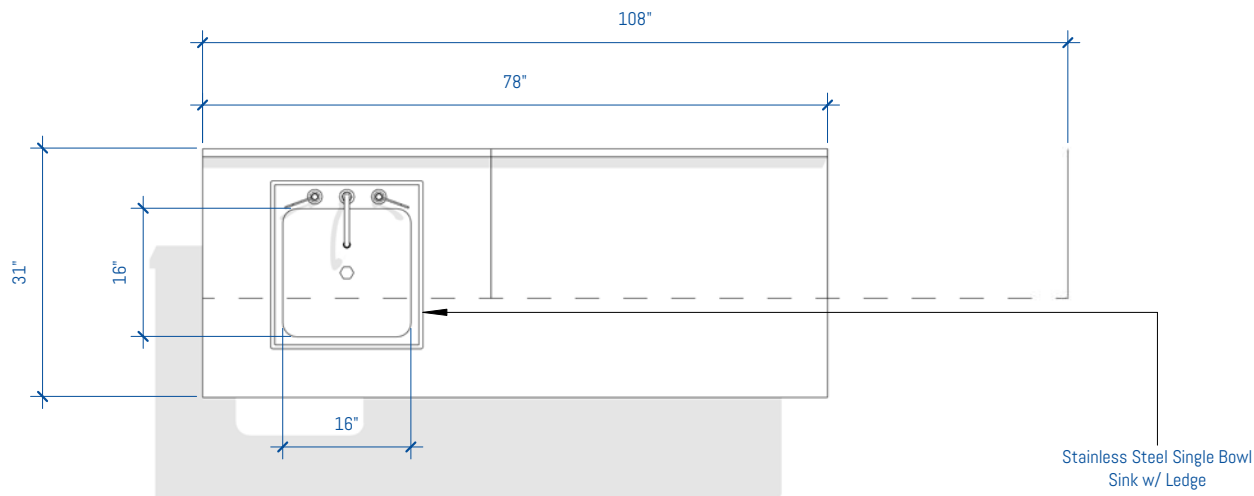
BR-22 of BR-30

FOR MORE INFORMATION

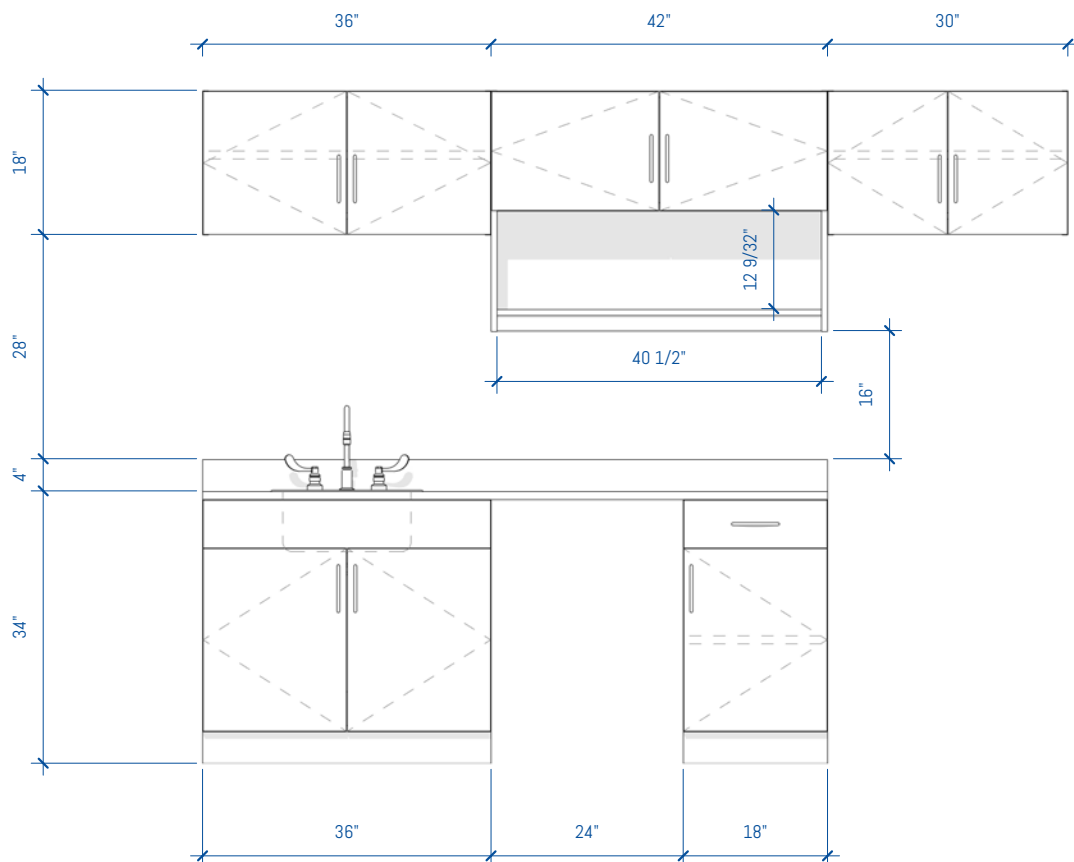
<https://bim.southwestsolutions.com>

Break Room Cabinets - 9' Wide - Option 7

SMS-03-V90-SSG-BR09-7-L

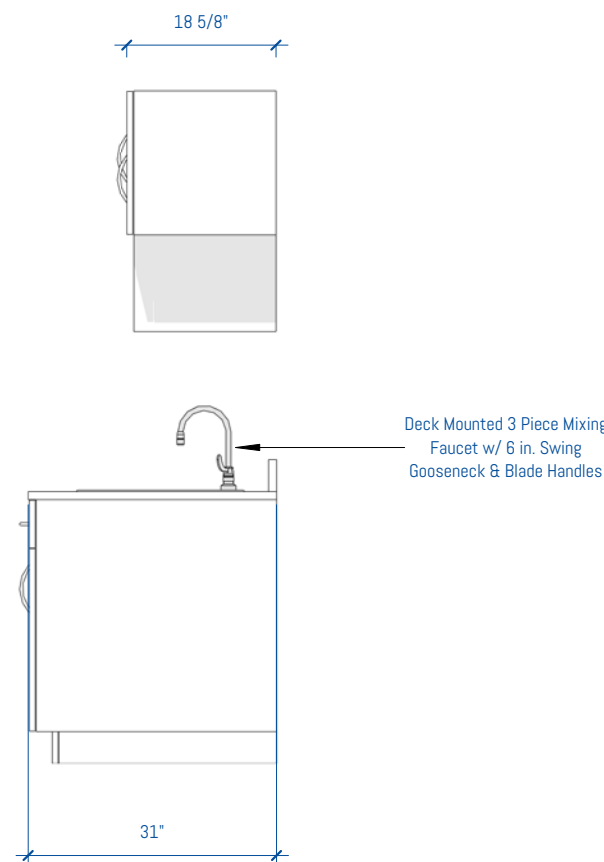


4 BREAK ROOM - LAM 9ft - OPTION 7
1/2" = 1'-0"



2 BREAKROOM - LAM 9ft - OPTION 7 - FRONT
1/2" = 1'-0"

3 BREAK ROOM - LAM 9ft - OPTION 7



1 BREAKROOM - LAM 9ft - OPTION 7 - SIDE
1/2" = 1'-0"

GENERAL NOTES

SUSTAINABILITY

- Particleboard and MDF fabricated from recycled wood waste material
- Cardboard packaging made from recycled materials
- Unusable pallets are recycled
- All aluminum scrap is recycled
- All adhesives used are water-based
- Products meet low VOC standards
- Powder coat paint is used on all metal surfaces
- Greenguard Gold Certified to provide safe, quality, environmentally friendly workspaces.
- FSC and OSHPD certified components are also available

CONSTRUCTION

- Cabinets are constructed of 3/4" thick industrial grade 40-50lb substrate, double-faced melamine
- All exposed edges are covered with 2mm PVC edge banding
- All panels are connected with hafele mini-fix cam hidden fastener system
- All cabinets are rail mounted for ease of install
- Work surfaces are constructed of 1 1/16" thick high-pressure laminate



MODULAR CASEWORK
ROOM SEGMENTS

Copyright 2017 Southwest Solutions Group. This material is proprietary and confidential and the disclosure, reproduction (by photocopy, film, blueprint or otherwise) or incorporation into any information retrieval system without first receiving written approval from Southwest Solutions Group is expressly prohibited by law.

Approved By

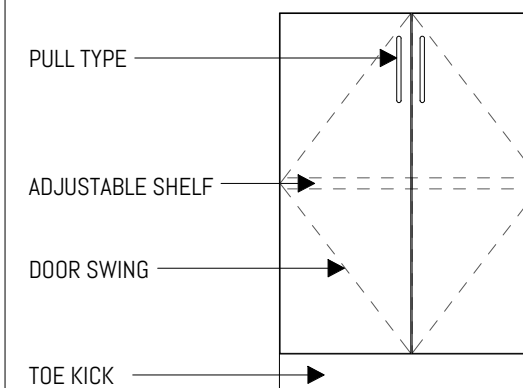
Date

Drawn by DHaynal

Salesperson SSG

Scale 1/2" = 1'-0"

LEGEND



RN	DATE	DESCRIPTION
SSG REVISION SCHEDULE		

BREAK ROOM - LAM
9ft - OPTION 7

SHEET NUMBER

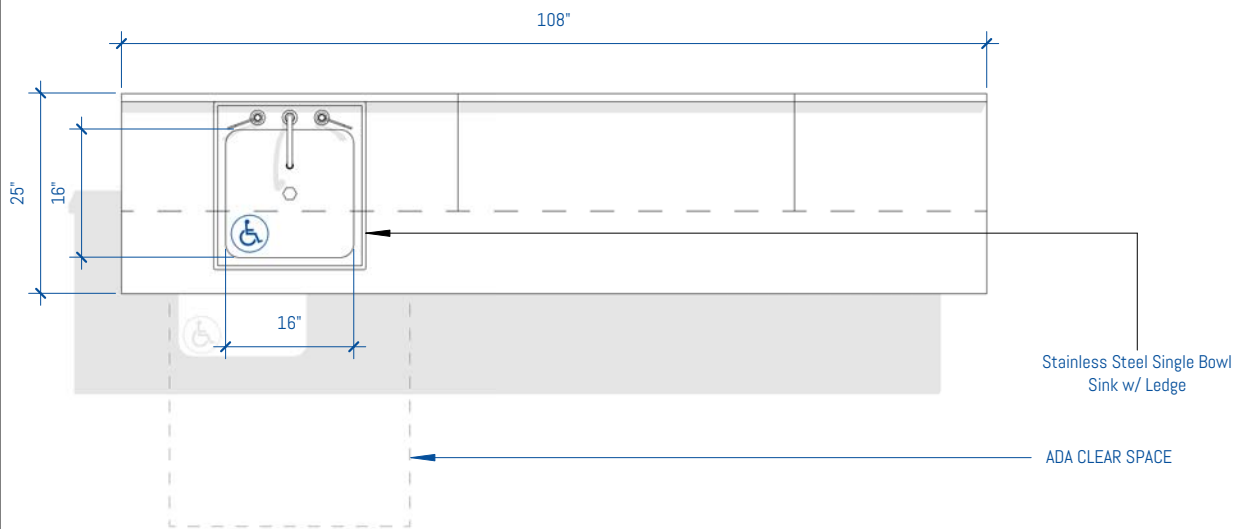
BR-23 of BR-30

FOR MORE INFORMATION

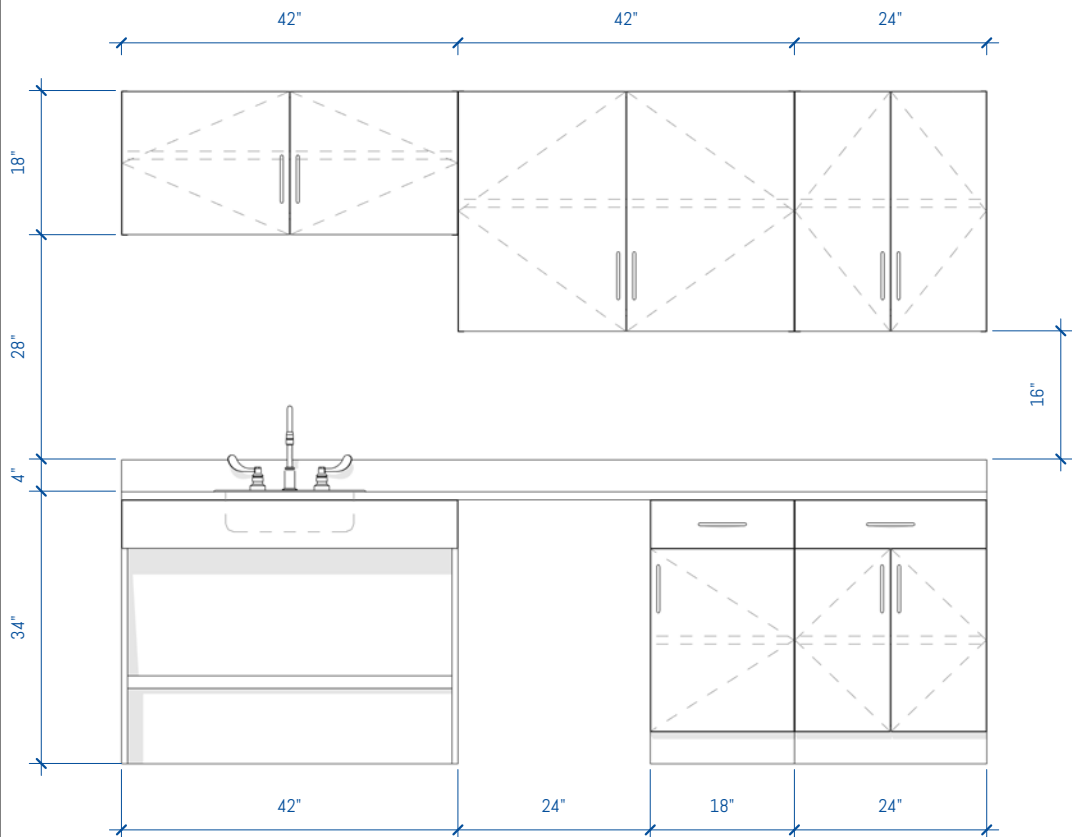
<https://bim.southwestsolutions.com>

Break Room Cabinets - 9' Wide - Option 8

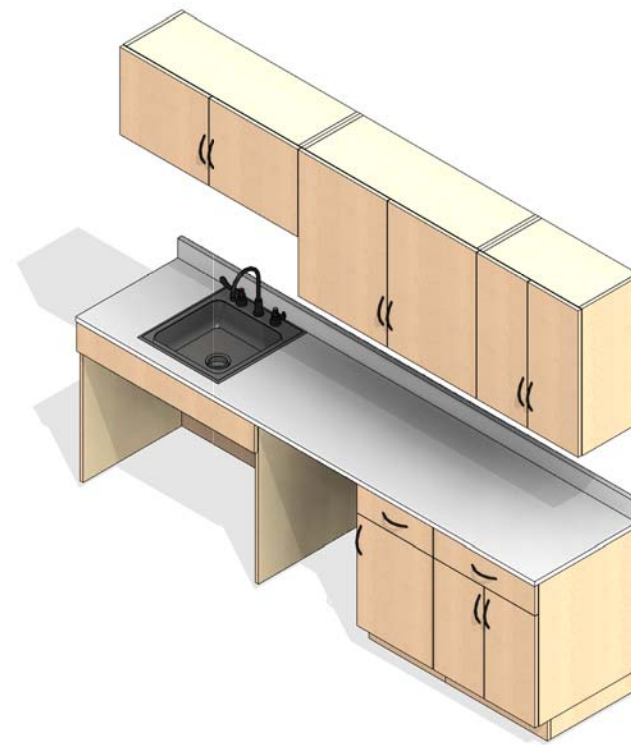
SMS-03-V90-SSG-BR09-8-L



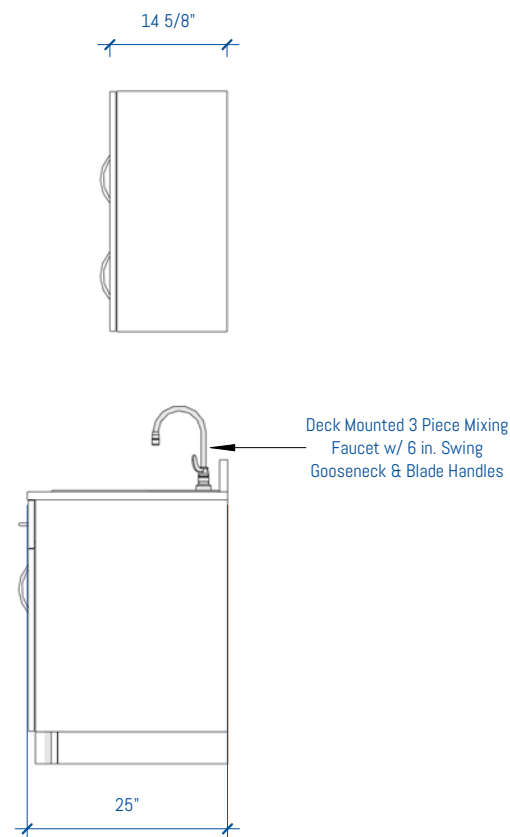
4 BREAK ROOM - LAM 9ft - OPTION 8
1/2" = 1'-0"



2 BREAKROOM - LAM 9ft - OPTION 8 - FRONT
1/2" = 1'-0"



3 BREAK ROOM - LAM 9ft - OPTION 8



1 BREAKROOM - LAM 9ft - OPTION 8 - SIDE
1/2" = 1'-0"

GENERAL NOTES

SUSTAINABILITY

- Particleboard and MDF fabricated from recycled wood waste material
- Cardboard packaging made from recycled materials
- Unusable pallets are recycled
- All aluminum scrap is recycled
- All adhesives used are water-based
- Products meet low VOC standards
- Powder coat paint is used on all metal surfaces
- Greenguard Gold Certified to provide safe, quality, environmentally friendly workspaces.
- FSC and OSHPD certified components are also available

CONSTRUCTION

- Cabinets are constructed of 3/4" thick industrial grade 40-50lb substrate, double-faced melamine
- All exposed edges are covered with 2mm PVC edge banding
- All panels are connected with hafele mini-fix cam hidden fastener system
- All cabinets are rail mounted for ease of install
- Work surfaces are constructed of 1 1/16" thick high-pressure laminate



MODULAR CASEWORK
ROOM SEGMENTS

Copyright 2017 Southwest Solutions Group. This material is proprietary and confidential and the disclosure, reproduction (by photocopy, film, blueprint or otherwise) or incorporation into any information retrieval system without first receiving written approval from Southwest Solutions Group is expressly prohibited by law.

Approved By

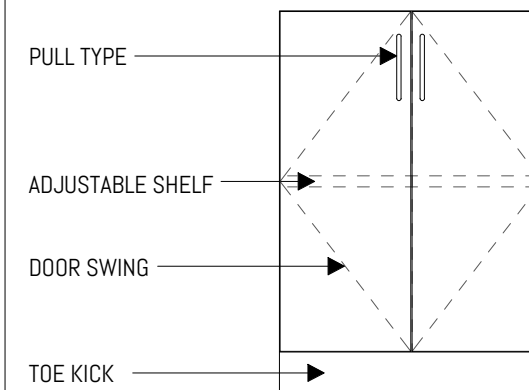
Date

Drawn by DHaynal

Salesperson SSG

Scale 1/2" = 1'-0"

LEGEND



RN DATE DESCRIPTION

SSG REVISION SCHEDULE

BREAK ROOM - LAM
9ft - OPTION 8

SHEET NUMBER

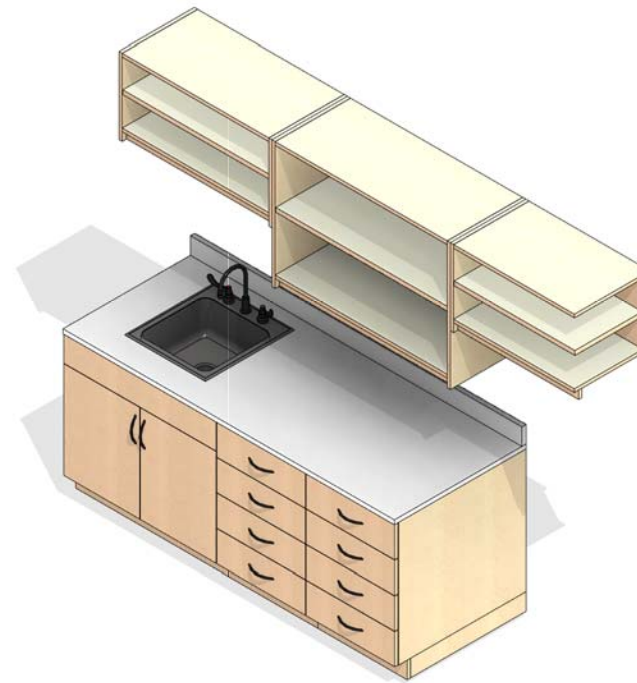
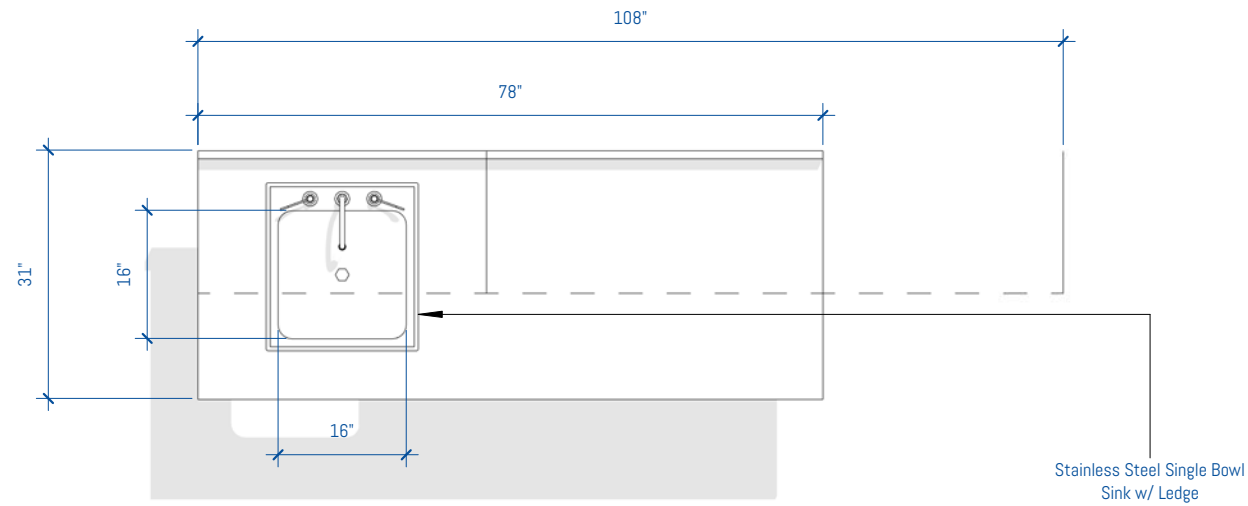
BR-24 of BR-30

FOR MORE INFORMATION

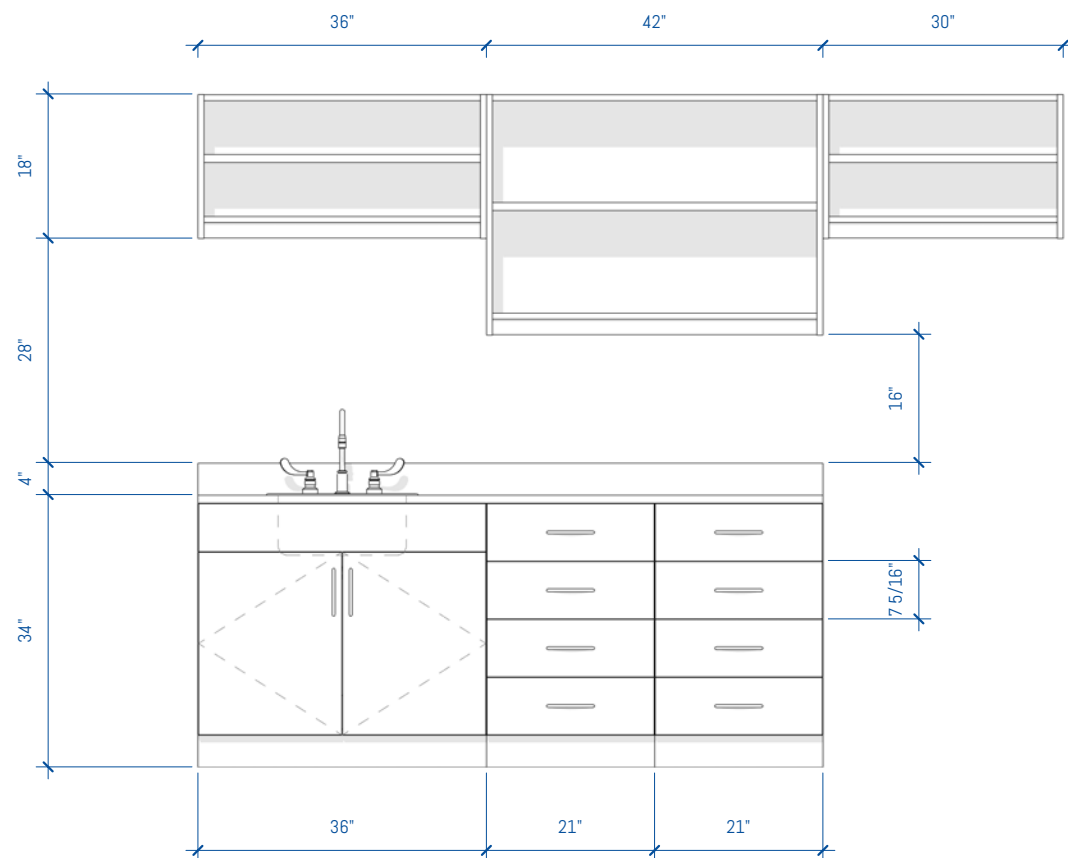
<https://bim.southwestsolutions.com>

Break Room Cabinets - 9' Wide - Option 9

SMS-03-V90-SSG-BR09-9-L

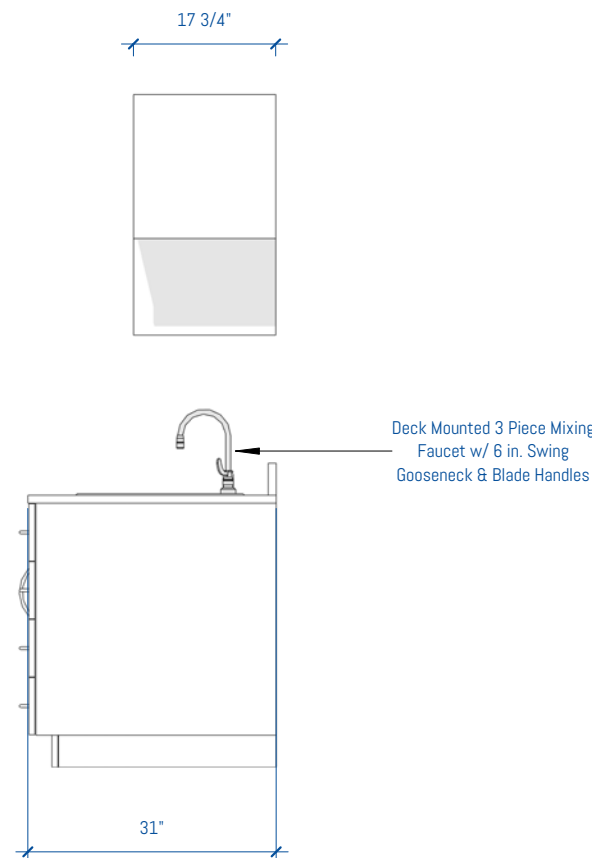


4 BREAK ROOM - LAM 9ft - OPTION 9
1/2" = 1'-0"



2 BREAKROOM - LAM 9ft - OPTION 9 - FRONT
1/2" = 1'-0"

3 BREAK ROOM - LAM 9ft - OPTION 9



1 BREAKROOM - LAM 9ft - OPTION 9 - SIDE
1/2" = 1'-0"

GENERAL NOTES

SUSTAINABILITY

- Particleboard and MDF fabricated from recycled wood waste material
- Cardboard packaging made from recycled materials
- Unusable pallets are recycled
- All aluminum scrap is recycled
- All adhesives used are water-based
- Products meet low VOC standards
- Powder coat paint is used on all metal surfaces
- Greenguard Gold Certified to provide safe, quality, environmentally friendly workspaces.
- FSC and OSHPD certified components are also available

CONSTRUCTION

- Cabinets are constructed of 3/4" thick industrial grade 40-50lb substrate, double-faced melamine
- All exposed edges are covered with 2mm PVC edge banding
- All panels are connected with hafele mini-fix cam hidden fastener system
- All cabinets are rail mounted for ease of install
- Work surfaces are constructed of 1 1/16" thick high-pressure laminate



MODULAR CASEWORK
ROOM SEGMENTS

Copyright 2017 Southwest Solutions Group. This material is proprietary and confidential and the disclosure, reproduction (by photocopy, film, blueprint or otherwise) or incorporation into any information retrieval system without first receiving written approval from Southwest Solutions Group is expressly prohibited by law.

Approved By

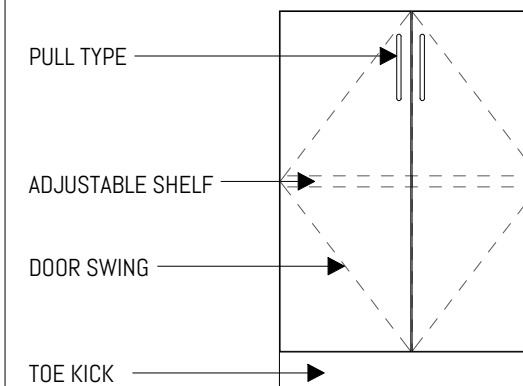
Date

Drawn by DHaynal

Salesperson SSG

Scale 1/2" = 1'-0"

LEGEND



RN	DATE	DESCRIPTION
SSG REVISION SCHEDULE		

BREAK ROOM - LAM
9ft - OPTION 9

SHEET NUMBER

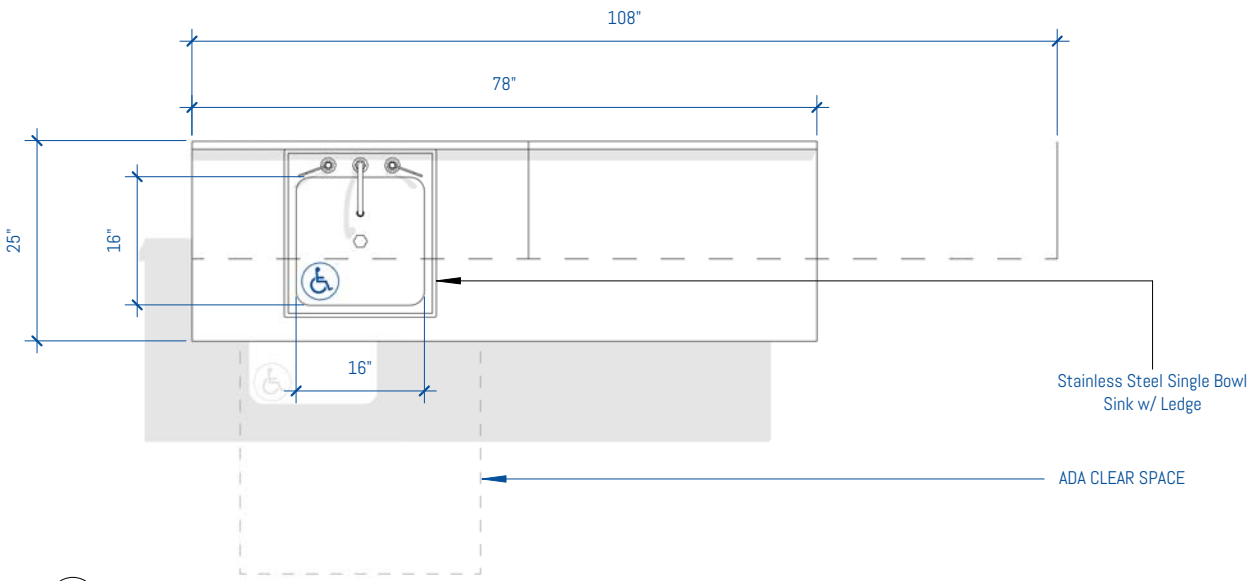
BR-25 of BR-30

FOR MORE INFORMATION

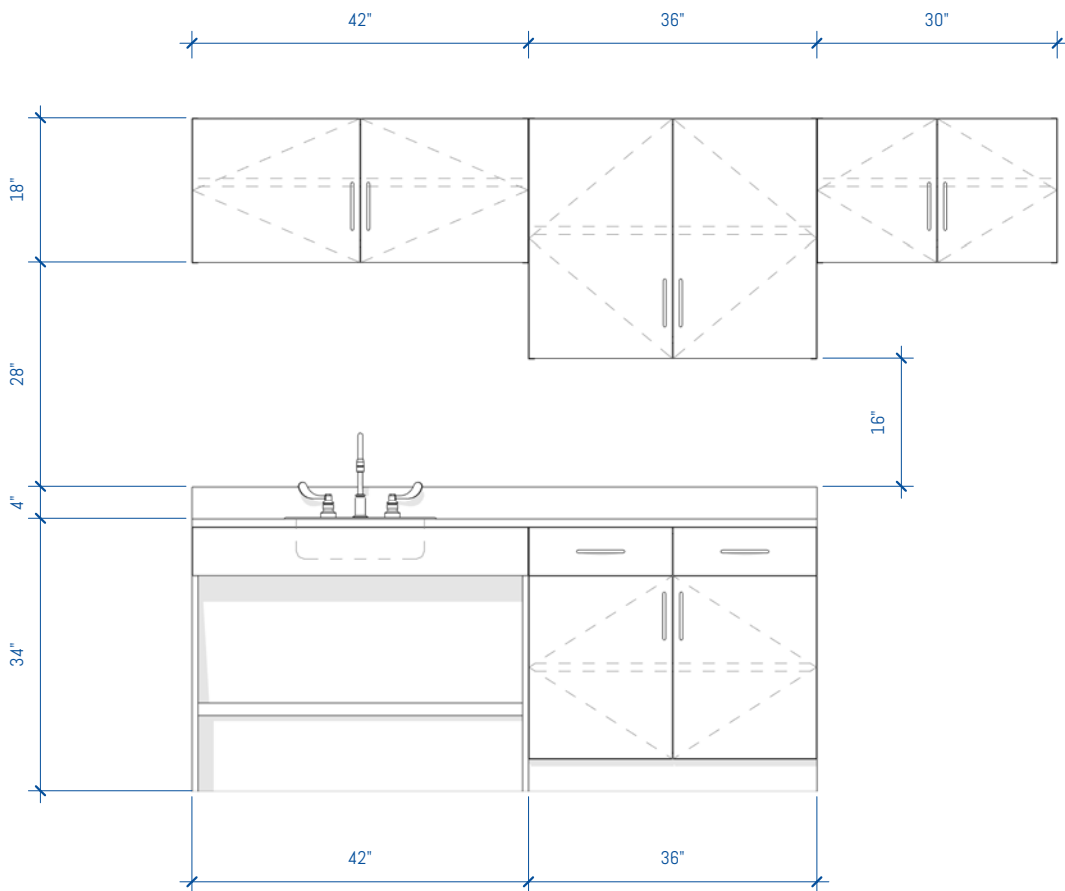
<https://bim.southwestsolutions.com>

Break Room Cabinets - 9' Wide - Option 10

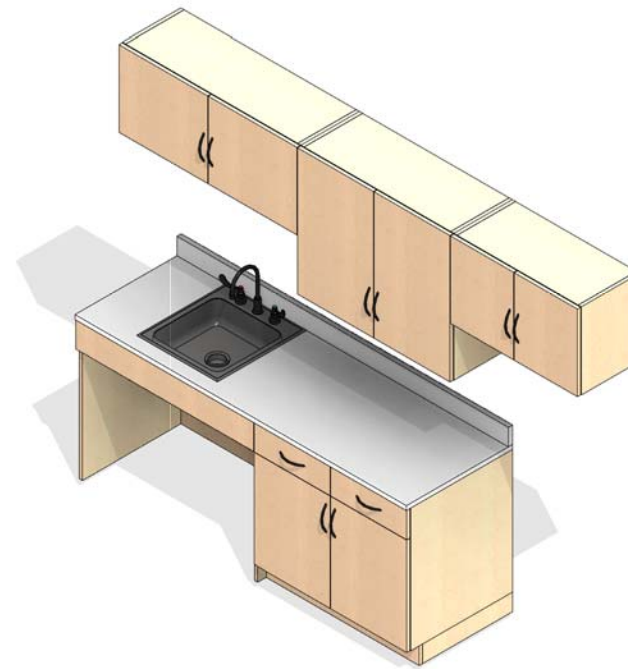
SMS-03-V90-SSG-BR09-10-L



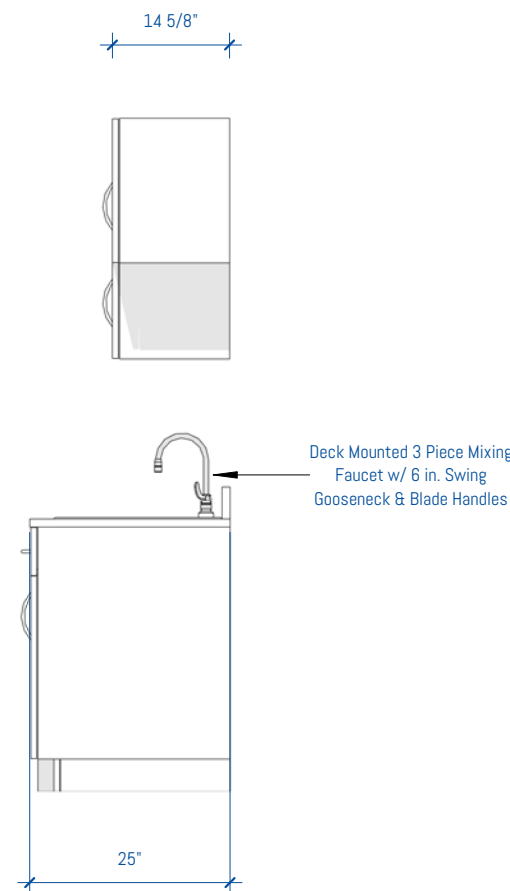
4 BREAK ROOM - LAM 9ft - OPTION 10
1/2" = 1'-0"



2 BREAKROOM - LAM 9ft - OPTION 10 - FRONT
1/2" = 1'-0"



3 BREAK ROOM - LAM 9ft - OPTION 10



1 BREAKROOM - LAM 9ft - OPTION 10 - SIDE
1/2" = 1'-0"

GENERAL NOTES

SUSTAINABILITY

- Particleboard and MDF fabricated from recycled wood waste material
- Cardboard packaging made from recycled materials
- Unusable pallets are recycled
- All aluminum scrap is recycled
- All adhesives used are water-based
- Products meet low VOC standards
- Powder coat paint is used on all metal surfaces
- Greenguard Gold Certified to provide safe, quality, environmentally friendly workspaces.
- FSC and OSHPD certified components are also available

CONSTRUCTION

- Cabinets are constructed of 3/4" thick industrial grade 40-50lb substrate, double-faced melamine
- All exposed edges are covered with 2mm PVC edge banding
- All panels are connected with hafele mini-fix cam hidden fastener system
- All cabinets are rail mounted for ease of install
- Work surfaces are constructed of 1 1/16" thick high-pressure laminate



MODULAR CASEWORK
ROOM SEGMENTS

Copyright 2017 Southwest Solutions Group. This material is proprietary and confidential and the disclosure, reproduction (by photocopy, film, blueprint or otherwise) or incorporation into any information retrieval system without first receiving written approval from Southwest Solutions Group is expressly prohibited by law.

Approved By

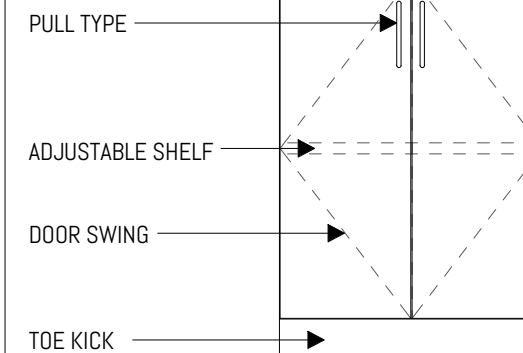
Date

Drawn by DHaynal

Salesperson SSG

Scale 1/2" = 1'-0"

LEGEND



RN DATE DESCRIPTION

SSG REVISION SCHEDULE

BREAK ROOM - LAM
9ft - OPTION 10

SHEET NUMBER

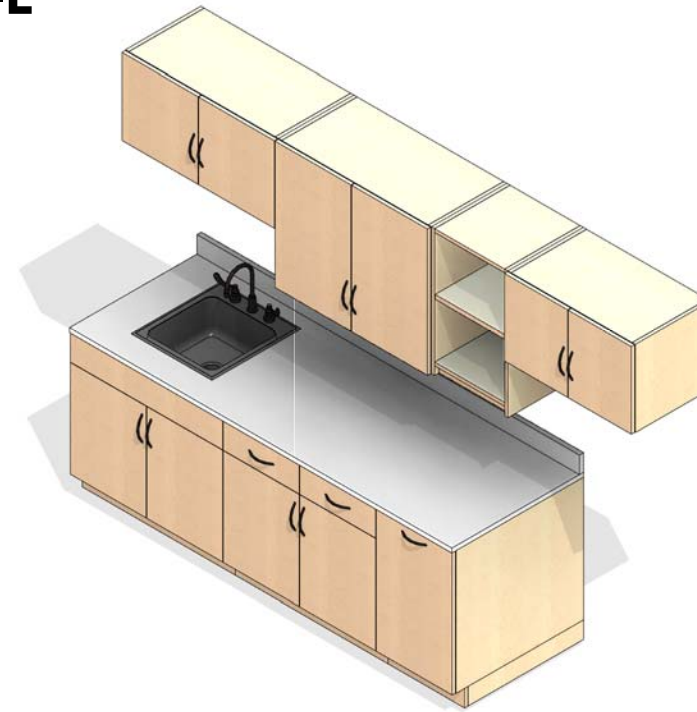
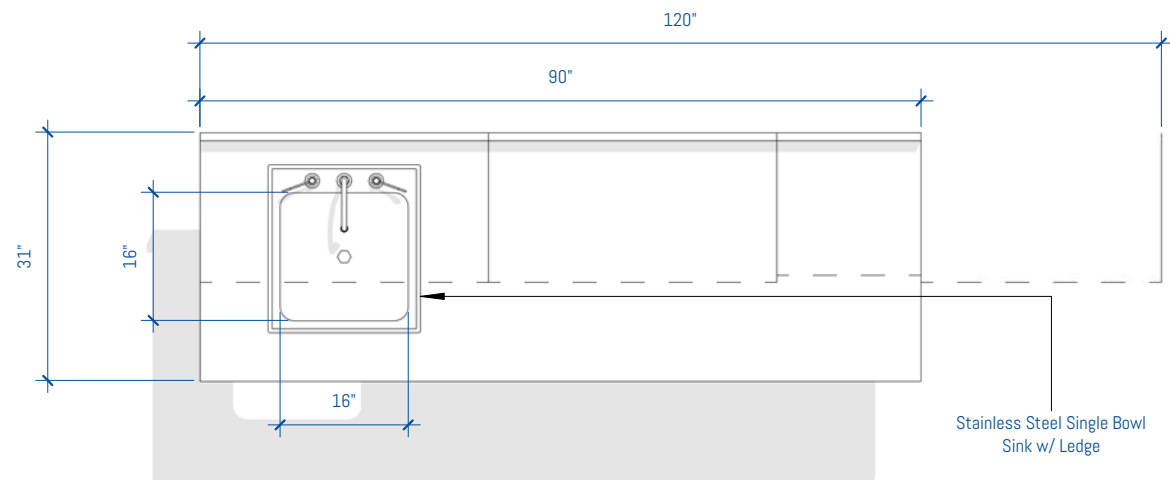
BR-26 of BR-30

FOR MORE INFORMATION

<https://bim.southwestsolutions.com>

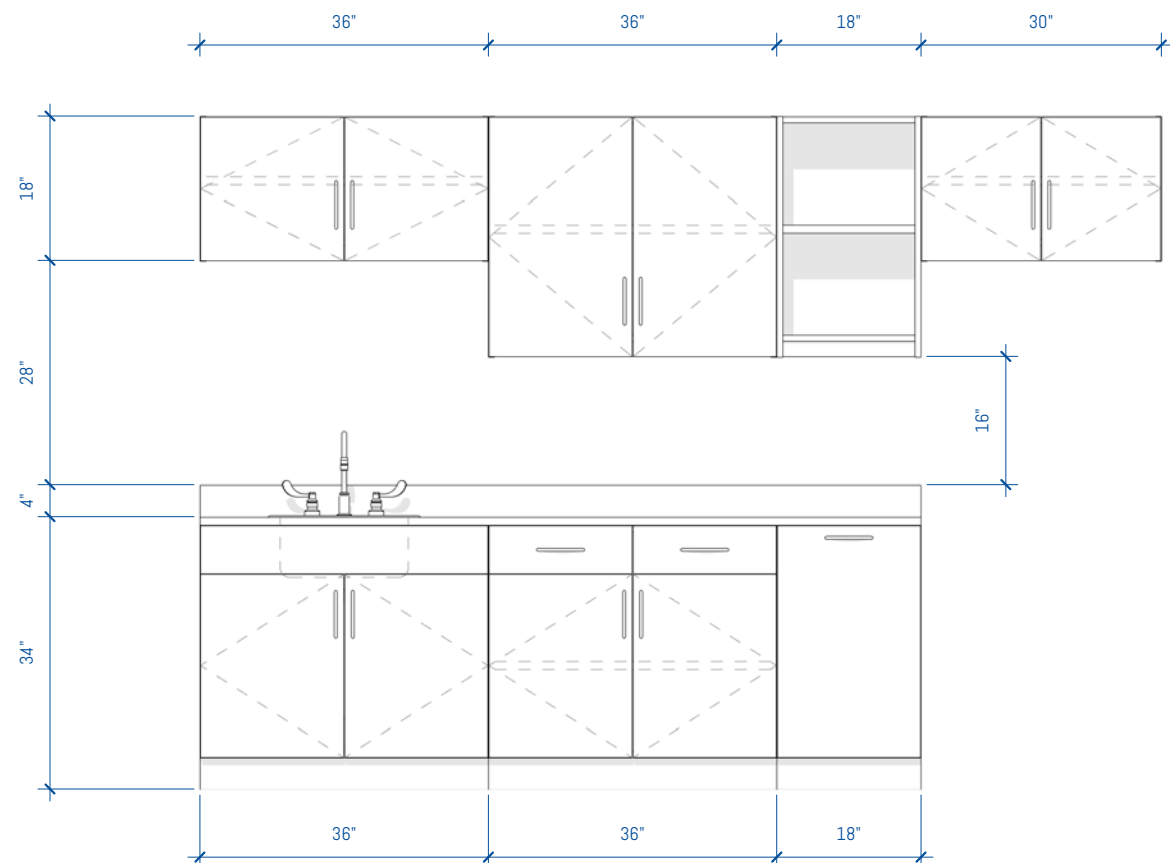
Break Room Cabinets - 10' Wide - Option 1

SMS-03-V90-SSG-BR10-1-L



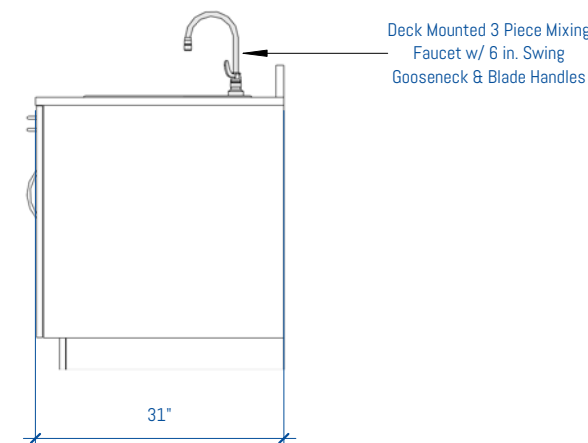
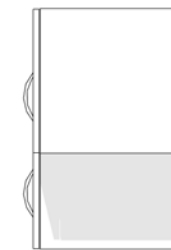
4 BREAK ROOM - LAM 10ft - OPTION 1
1/2" = 1'-0"

3 BREAK ROOM - LAM 10ft - OPTION 1



2 BREAKROOM - LAM 10ft - OPTION 1 - FRONT
1/2" = 1'-0"

18 5/8"



1 BREAKROOM - LAM 10ft - OPTION 1 - SIDE
1/2" = 1'-0"

GENERAL NOTES

SUSTAINABILITY

- Particleboard and MDF fabricated from recycled wood waste material
- Cardboard packaging made from recycled materials
- Unusable pallets are recycled
- All aluminum scrap is recycled
- All adhesives used are water-based
- Products meet low VOC standards
- Powder coat paint is used on all metal surfaces
- Greenguard Gold Certified to provide safe, quality, environmentally friendly workspaces.
- FSC and OSHPD certified components are also available

CONSTRUCTION

- Cabinets are constructed of 3/4" thick industrial grade 40-50lb substrate, double-faced melamine
- All exposed edges are covered with 2mm PVC edge banding
- All panels are connected with hafele mini-fix cam hidden fastener system
- All cabinets are rail mounted for ease of install
- Work surfaces are constructed of 1 1/16" thick high-pressure laminate



MODULAR CASEWORK
ROOM SEGMENTS

Copyright 2017 Southwest Solutions Group. This material is proprietary and confidential and the disclosure, reproduction (by photocopy, film, blueprint or otherwise) or incorporation into any information retrieval system without first receiving written approval from Southwest Solutions Group is expressly prohibited by law.

Approved By

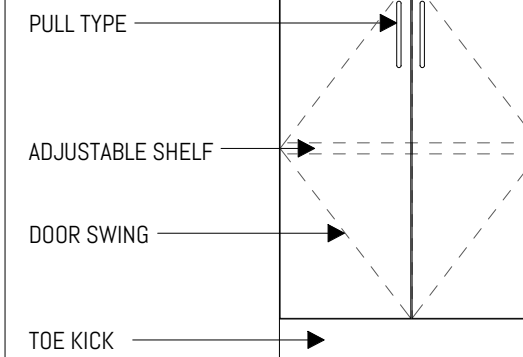
Date

Drawn by DHaynal

Salesperson SSG

Scale 1/2" = 1'-0"

LEGEND



RN DATE DESCRIPTION

SSG REVISION SCHEDULE

BREAK ROOM - LAM
10ft - OPTION 1

SHEET NUMBER

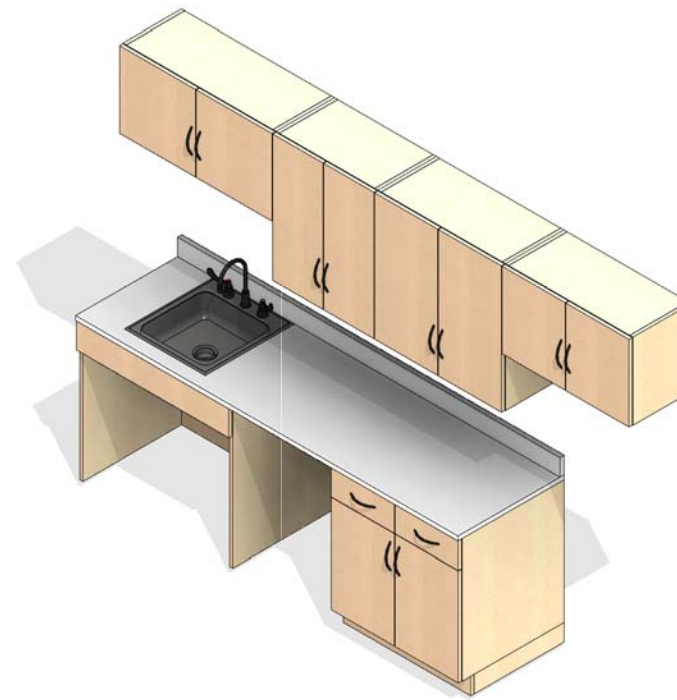
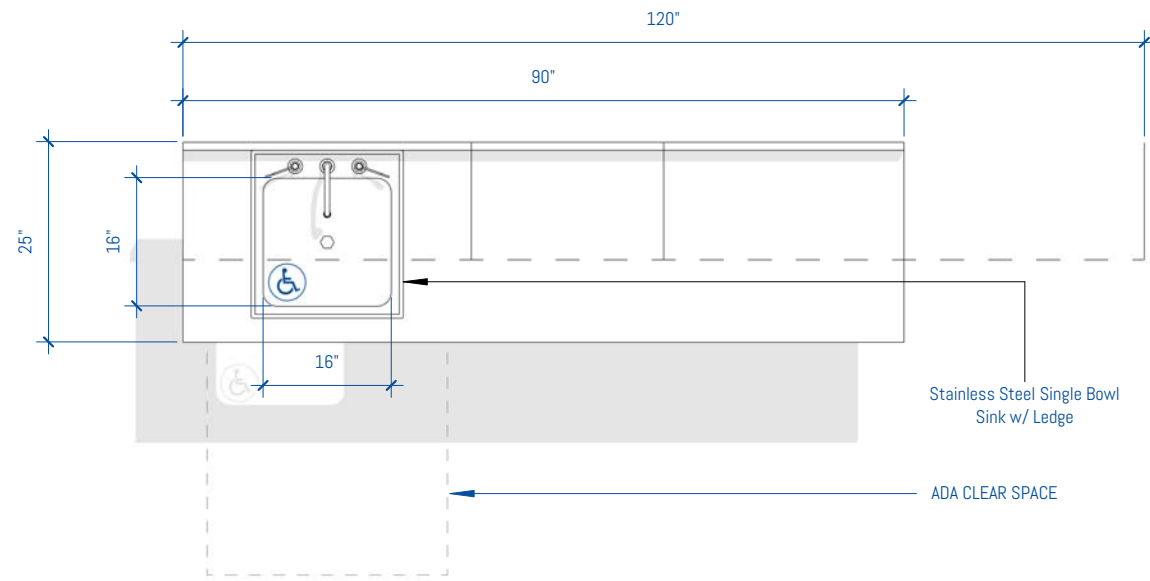
BR-27 of BR-30

FOR MORE INFORMATION

<https://bim.southwestsolutions.com>

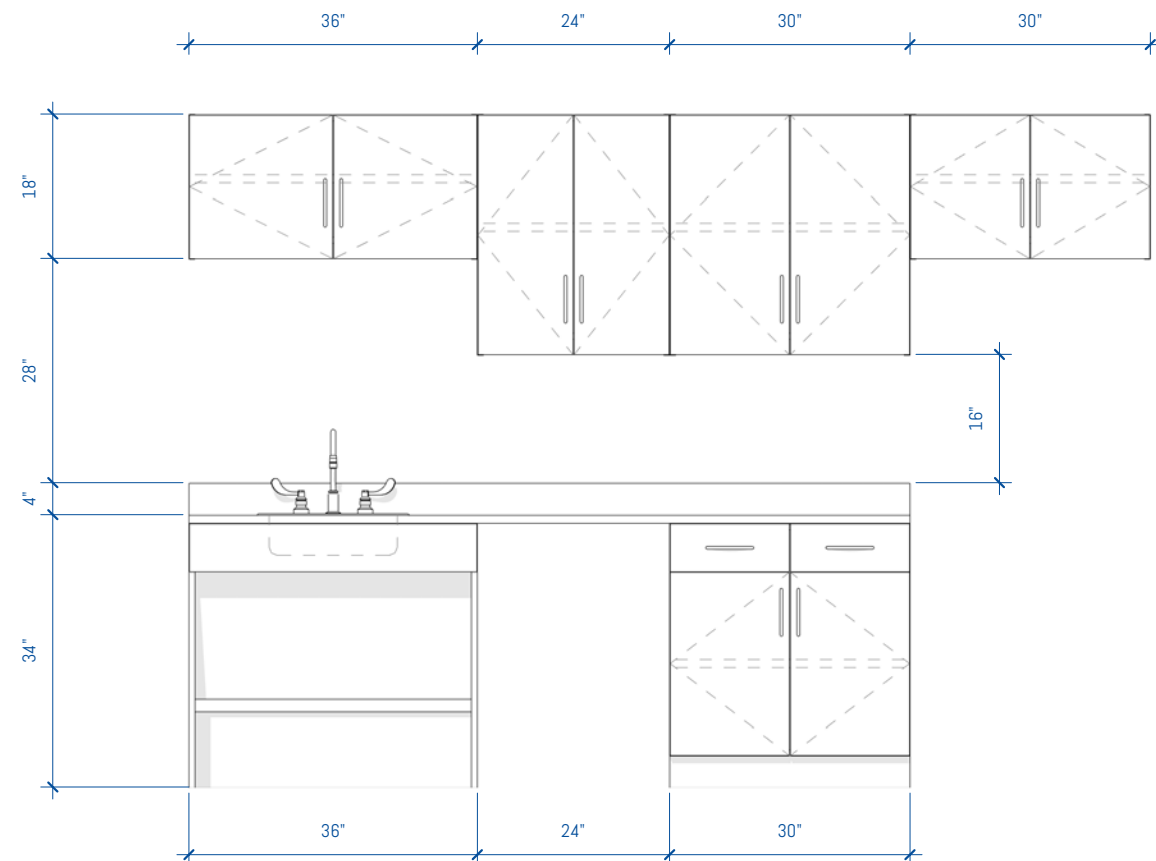
Break Room Cabinets - 10' Wide - Option 2

SMS-03-V90-SSG-BR10-2-L

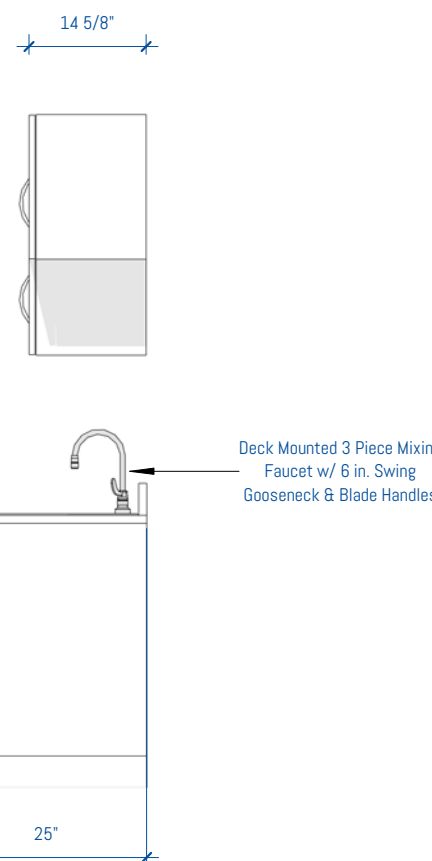


4 BREAK ROOM - LAM 10ft - OPTION 2
1/2" = 1'-0"

3 BREAK ROOM - LAM 10ft - OPTION 2



2 BREAKROOM - LAM 10ft - OPTION 2 - FRONT
1/2" = 1'-0"



1 BREAKROOM - LAM 10ft - OPTION 2 - SIDE
1/2" = 1'-0"

GENERAL NOTES

SUSTAINABILITY

- Particleboard and MDF fabricated from recycled wood waste material
- Cardboard packaging made from recycled materials
- Unusable pallets are recycled
- All aluminum scrap is recycled
- All adhesives used are water-based
- Products meet low VOC standards
- Powder coat paint is used on all metal surfaces
- Greenguard Gold Certified to provide safe, quality, environmentally friendly workspaces.
- FSC and OSHPD certified components are also available

CONSTRUCTION

- Cabinets are constructed of 3/4" thick industrial grade 40-50lb substrate, double-faced melamine
- All exposed edges are covered with 2mm PVC edge banding
- All panels are connected with hafele mini-fix cam hidden fastener system
- All cabinets are rail mounted for ease of install
- Work surfaces are constructed of 1 1/16" thick high-pressure laminate



MODULAR CASEWORK
ROOM SEGMENTS

Copyright 2017 Southwest Solutions Group. This material is proprietary and confidential and the disclosure, reproduction (by photocopy, film, blueprint or otherwise) or incorporation into any information retrieval system without first receiving written approval from Southwest Solutions Group is expressly prohibited by law.

Approved By

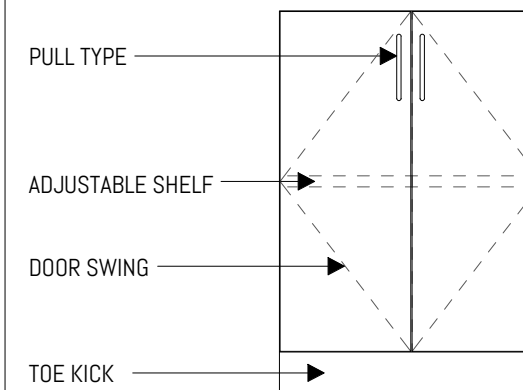
Date

Drawn by DHaynal

Salesperson SSG

Scale 1/2" = 1'-0"

LEGEND



RN	DATE	DESCRIPTION
SSG REVISION SCHEDULE		

BREAK ROOM - LAM
10ft - OPTION 2

SHEET NUMBER

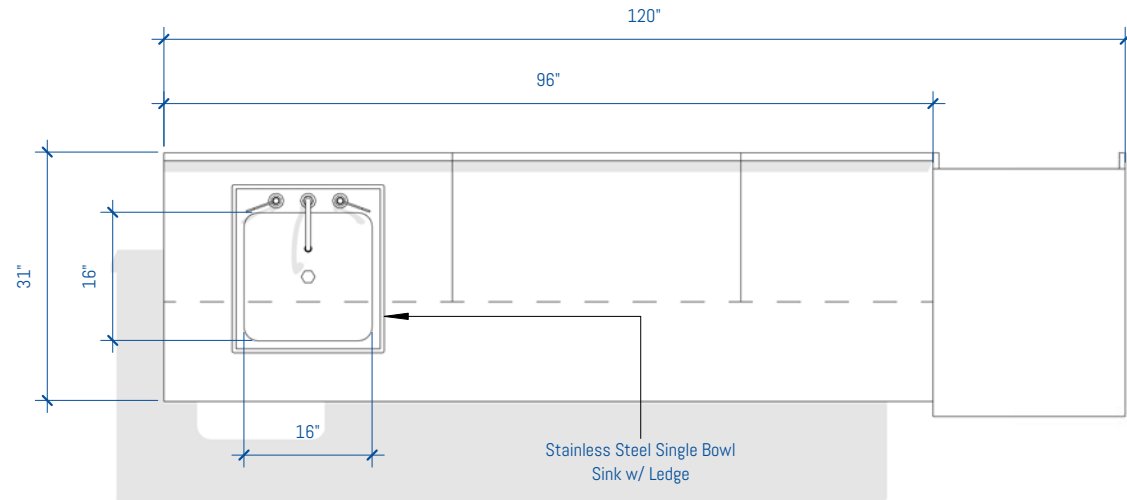
BR-28 of BR-30

FOR MORE INFORMATION

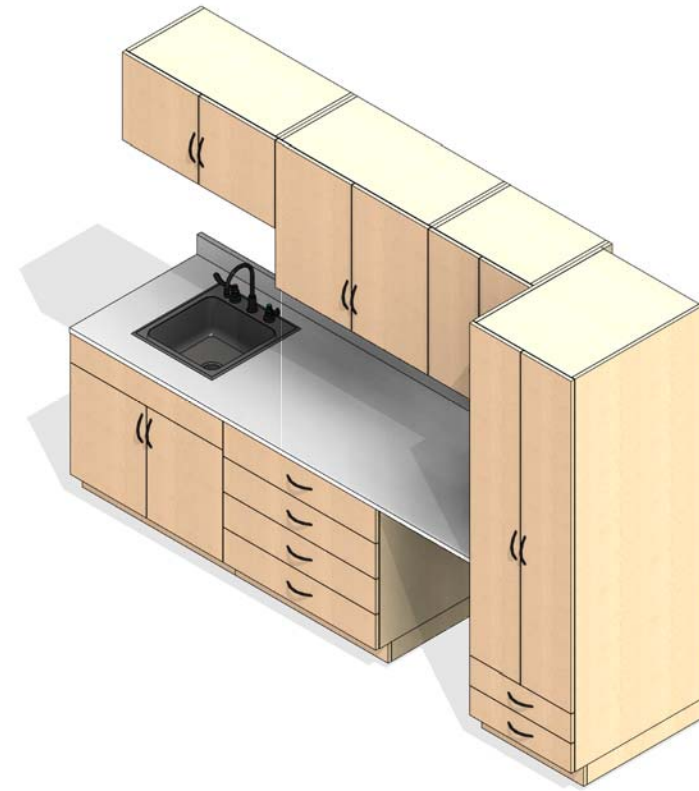
<https://bim.southwestsolutions.com>

Break Room Cabinets - 10' Wide - Option 3

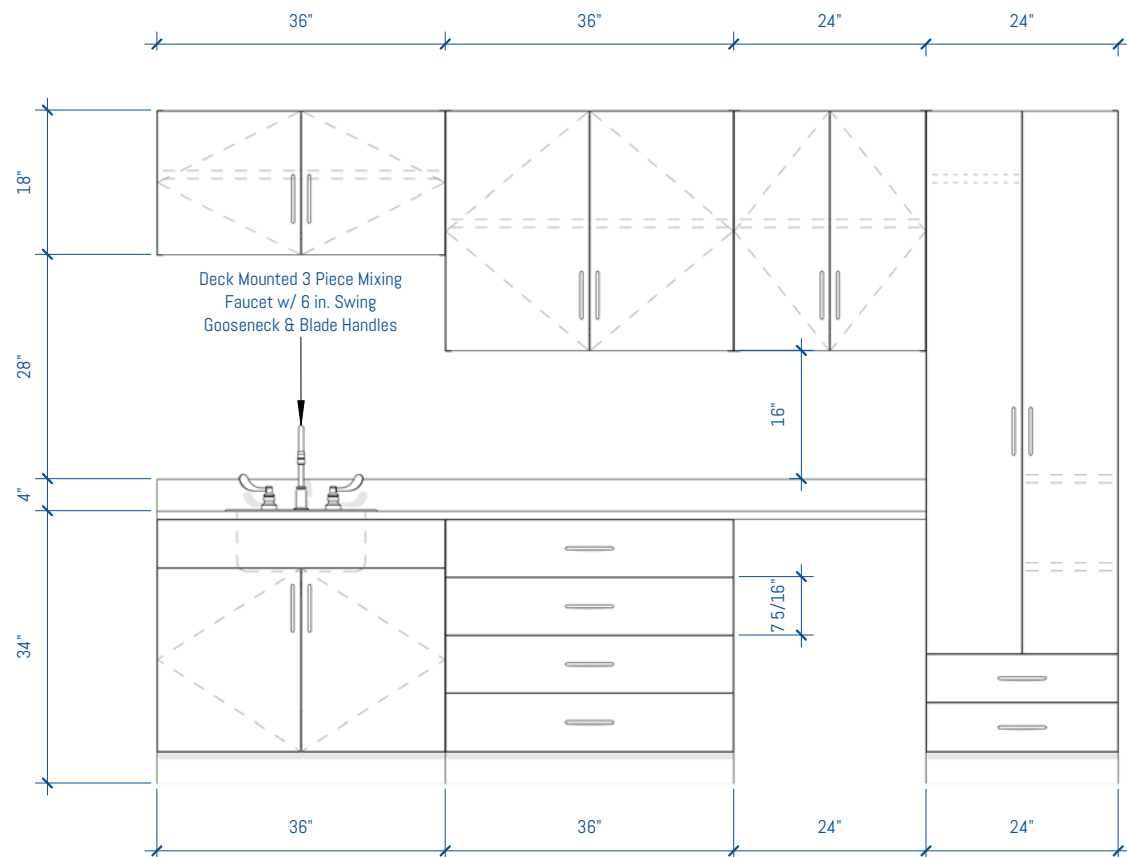
SMS-03-V90-SSG-BR10-3-L



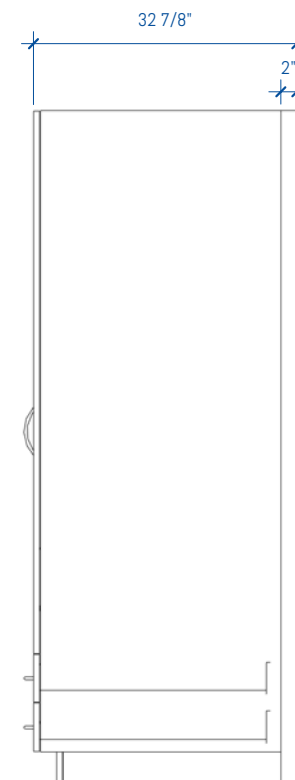
4 BREAK ROOM - LAM 10ft - OPTION 3
1/2" = 1'-0"



3 BREAK ROOM - LAM 10ft - OPTION 3
1/2" = 1'-0"



2 BREAKROOM - LAM 10ft - OPTION 3 - FRONT
1/2" = 1'-0"



1 BREAKROOM - LAM 10ft - OPTION 3 - SIDE
1/2" = 1'-0"

GENERAL NOTES

SUSTAINABILITY

- Particleboard and MDF fabricated from recycled wood waste material
- Cardboard packaging made from recycled materials
- Unusable pallets are recycled
- All aluminum scrap is recycled
- All adhesives used are water-based
- Products meet low VOC standards
- Powder coat paint is used on all metal surfaces
- Greenguard Gold Certified to provide safe, quality, environmentally friendly workspaces.
- FSC and OSHPD certified components are also available

CONSTRUCTION

- Cabinets are constructed of 3/4" thick industrial grade 40-50lb substrate, double-faced melamine
- All exposed edges are covered with 2mm PVC edge banding
- All panels are connected with hafele mini-fix cam hidden fastener system
- All cabinets are rail mounted for ease of install
- Work surfaces are constructed of 1 1/16" thick high-pressure laminate



MODULAR CASEWORK
ROOM SEGMENTS

Copyright 2017 Southwest Solutions Group. This material is proprietary and confidential and the disclosure, reproduction (by photocopy, film, blueprint or otherwise) or incorporation into any information retrieval system without first receiving written approval from Southwest Solutions Group is expressly prohibited by law.

Approved By

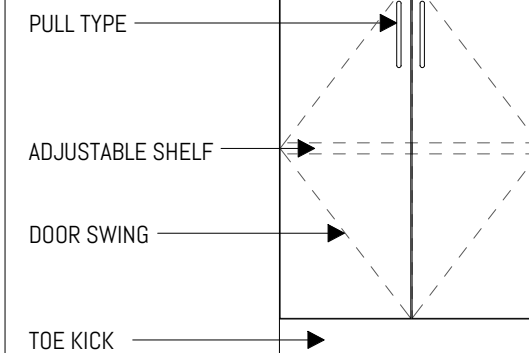
Date

Drawn by DHaynal

Salesperson SSG

Scale 1/2" = 1'-0"

LEGEND



RN DATE DESCRIPTION

SSG REVISION SCHEDULE

BREAK ROOM - LAM
10ft - OPTION 3

SHEET NUMBER

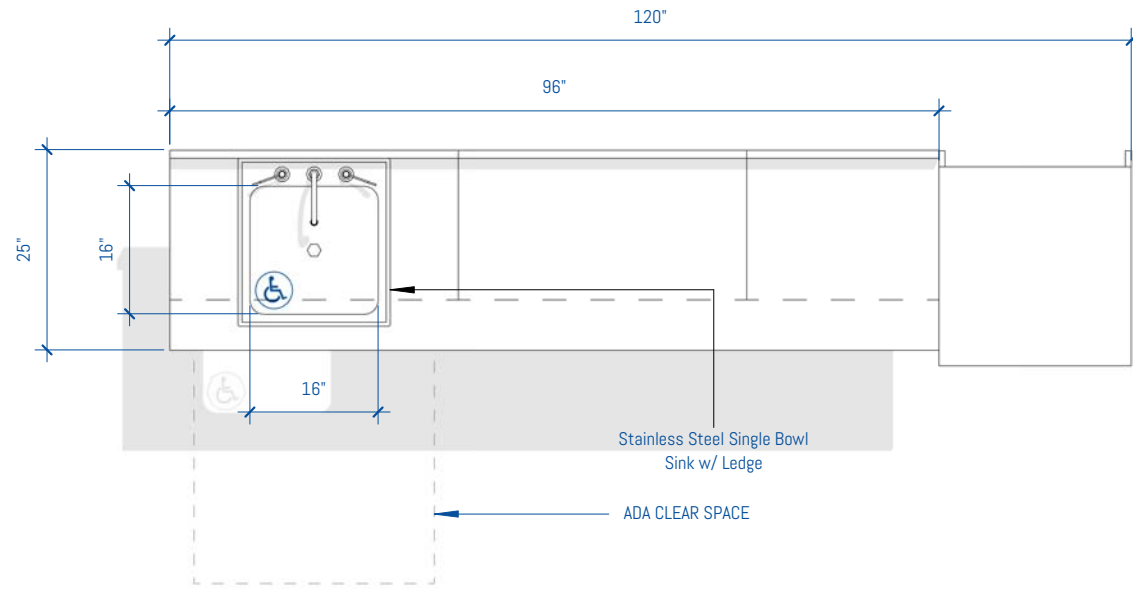
BR-29 of BR-30

FOR MORE INFORMATION

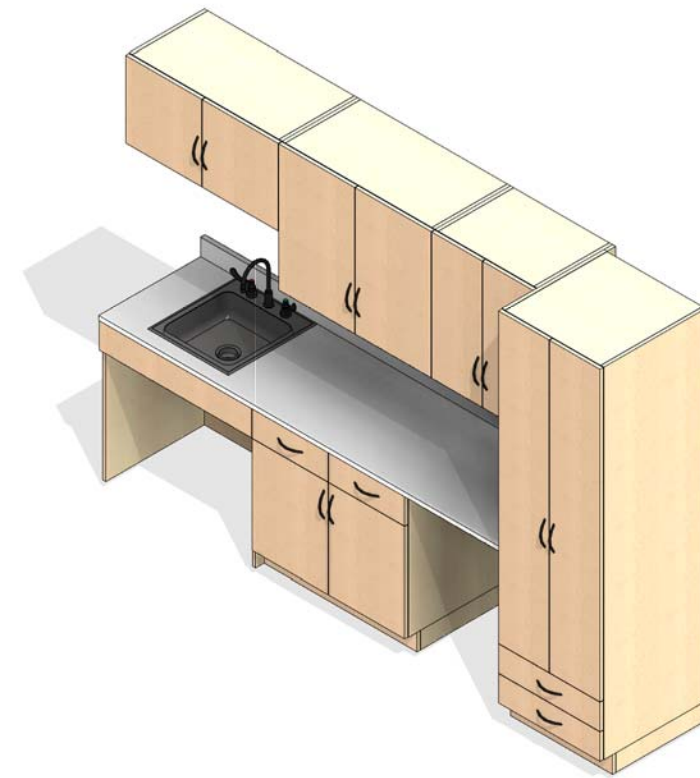
<https://bim.southwestsolutions.com>

Break Room Cabinets - 10' Wide - Option 4

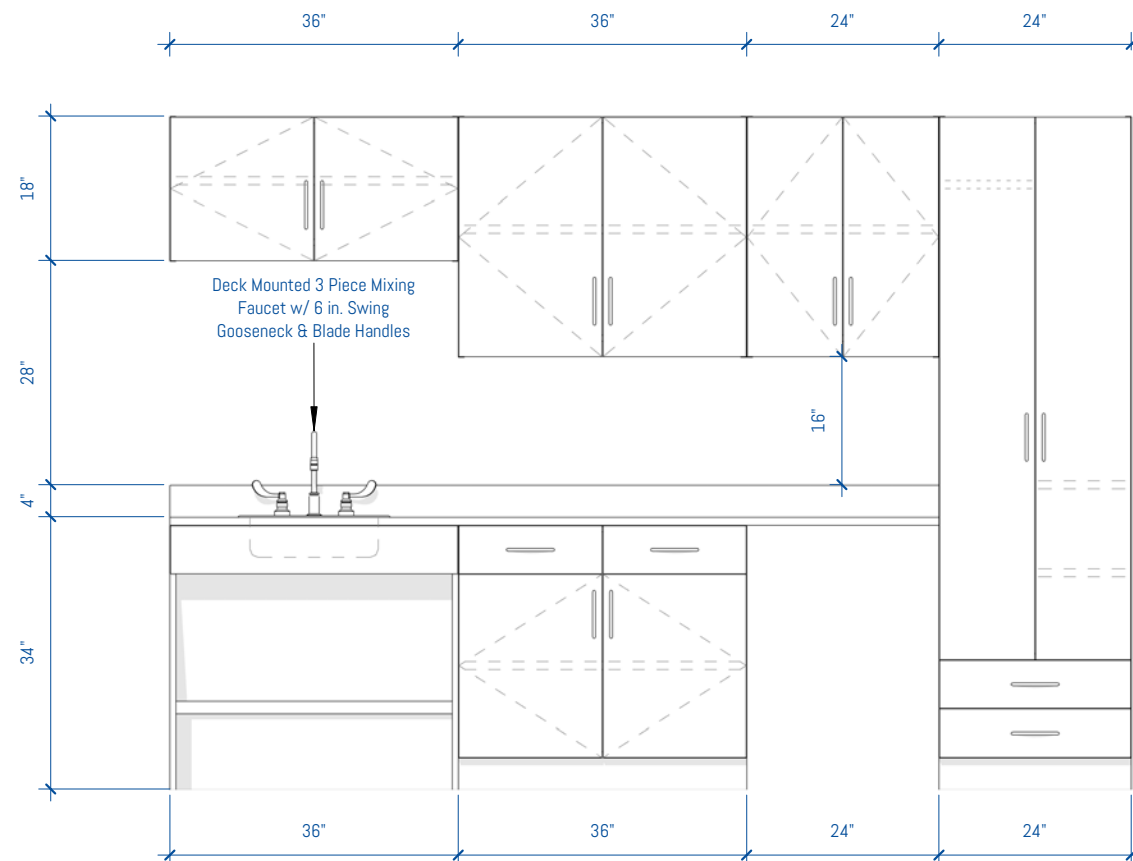
SMS-03-V90-SSG-BR10-4-L



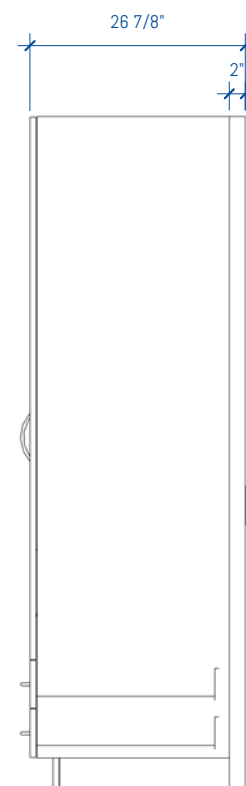
4 BREAK ROOM - LAM 10ft - OPTION 4
1/2" = 1'-0"



3 BREAK ROOM - LAM 10ft - OPTION 4



2 BREAKROOM - LAM 10ft - OPTION 4 - FRONT
1/2" = 1'-0"



1 BREAKROOM - LAM 10ft - OPTION 4 - SIDE
1/2" = 1'-0"

GENERAL NOTES

SUSTAINABILITY

- Particleboard and MDF fabricated from recycled wood waste material
- Cardboard packaging made from recycled materials
- Unusable pallets are recycled
- All aluminum scrap is recycled
- All adhesives used are water-based
- Products meet low VOC standards
- Powder coat paint is used on all metal surfaces
- Greenguard Gold Certified to provide safe, quality, environmentally friendly workspaces.
- FSC and OSHPD certified components are also available

CONSTRUCTION

- Cabinets are constructed of 3/4" thick industrial grade 40-50lb substrate, double-faced melamine
- All exposed edges are covered with 2mm PVC edge banding
- All panels are connected with hafele mini-fix cam hidden fastener system
- All cabinets are rail mounted for ease of install
- Work surfaces are constructed of 1 1/16" thick high-pressure laminate



MODULAR CASEWORK
ROOM SEGMENTS

Copyright 2017 Southwest Solutions Group. This material is proprietary and confidential and the disclosure, reproduction (by photocopy, film, blueprint or otherwise) or incorporation into any information retrieval system without first receiving written approval from Southwest Solutions Group is expressly prohibited by law.

Approved By

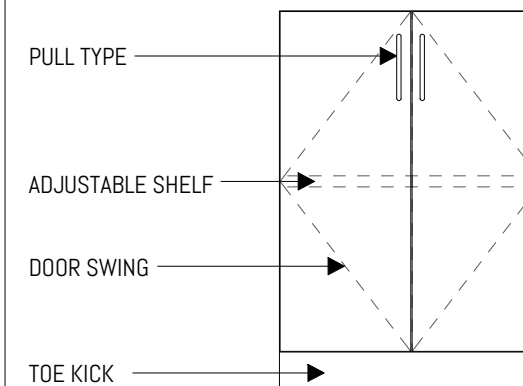
Date

Drawn by DHaynal

Salesperson SSG

Scale 1/2" = 1'-0"

LEGEND



RN DATE DESCRIPTION

SSG REVISION SCHEDULE

BREAK ROOM - LAM
10ft - OPTION 4

SHEET NUMBER

BR-30 of BR-30

FOR MORE INFORMATION

<https://bim.southwestsolutions.com>