

Instruction Manual



Contents

**Treble
Column Unit**



Page 4

**Double
Column Unit**



Page 8

**Tilted
Tray Unit**



Page 12

**Tilted
Shelf Unit**



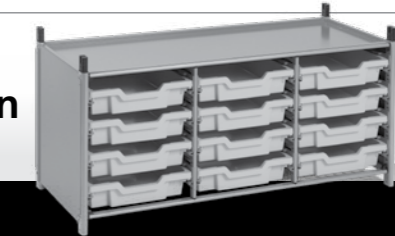
Page 17

**Flat
Shelf Unit**



Page 23

**12 Tray
Extension
Unit**



Page 29

**Expanding
the System**



Page 34

Art Trolley



Page 44

**A3 Paper
Trolley**



Page 46

**Runners & Tray
spacing guide**

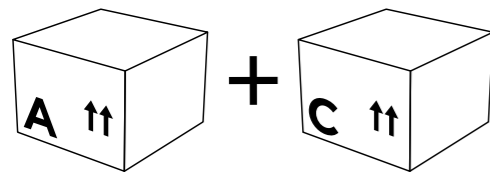


Page 48



Treble Column Unit

Dimensions: 1030(H) x 1025(W) x 430mm(D).



BOX A

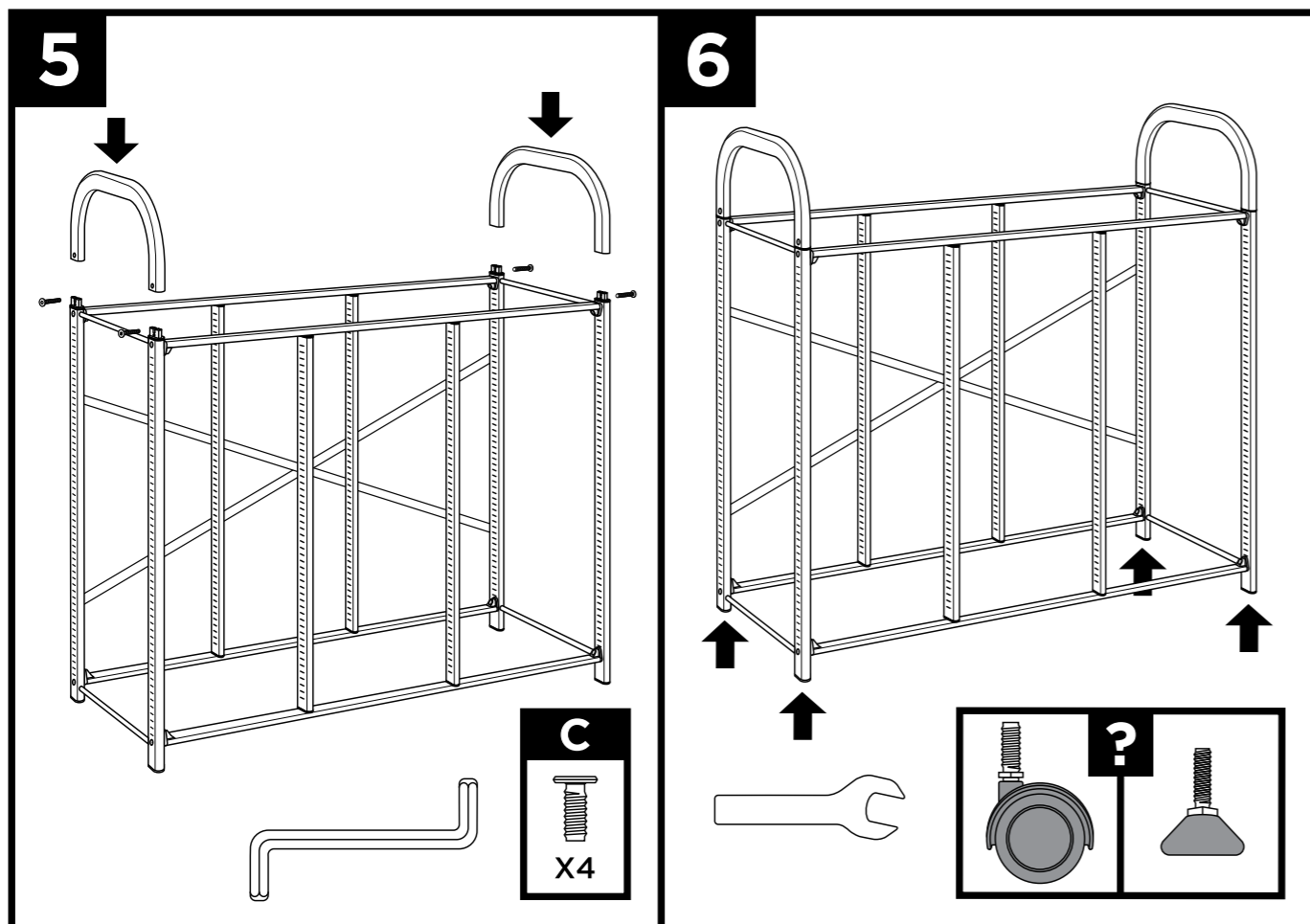
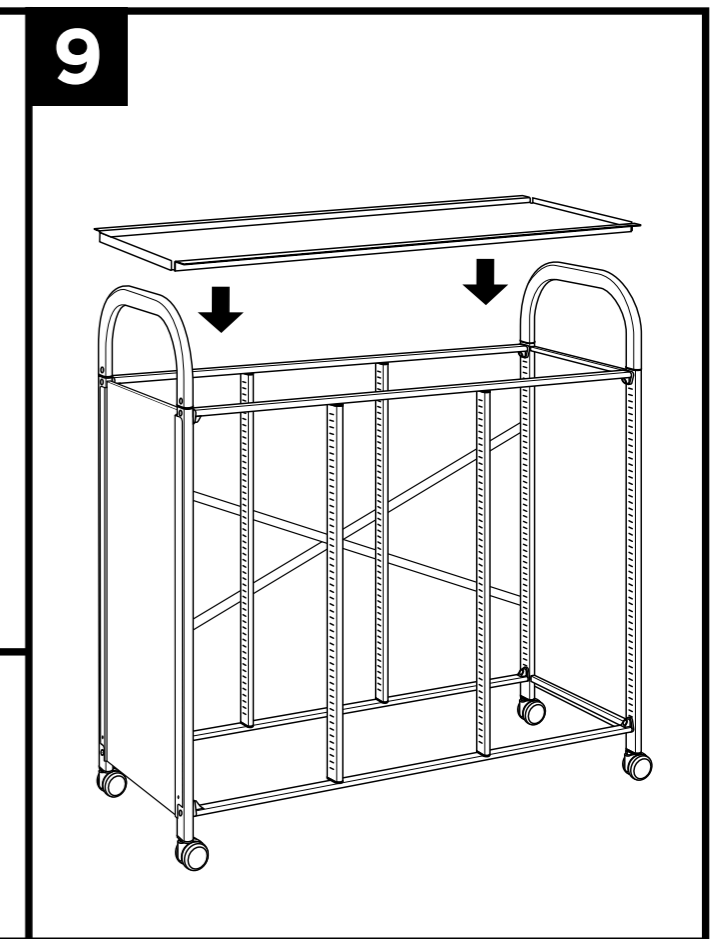
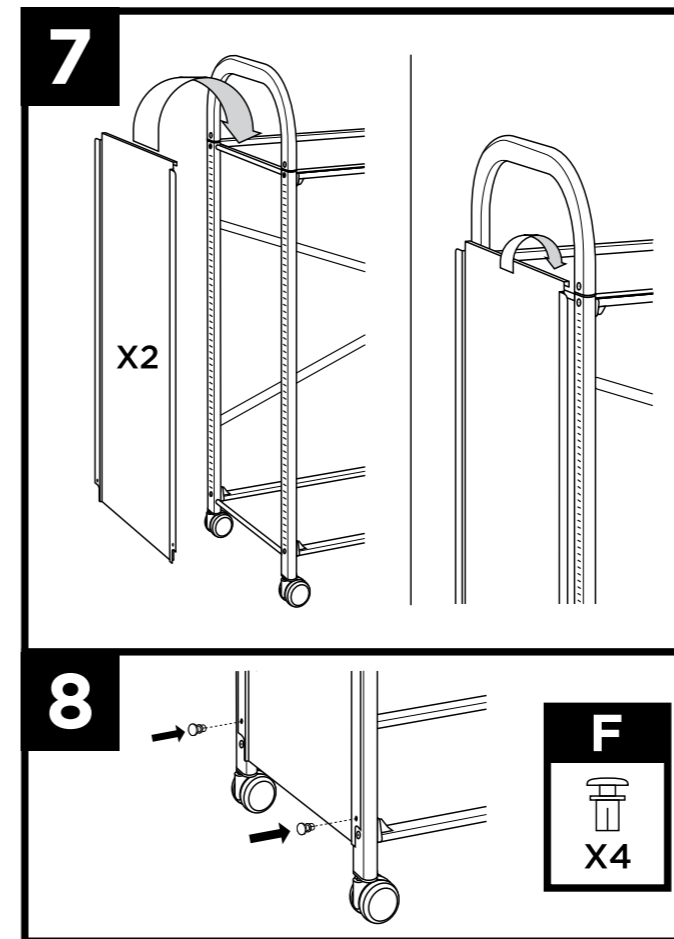
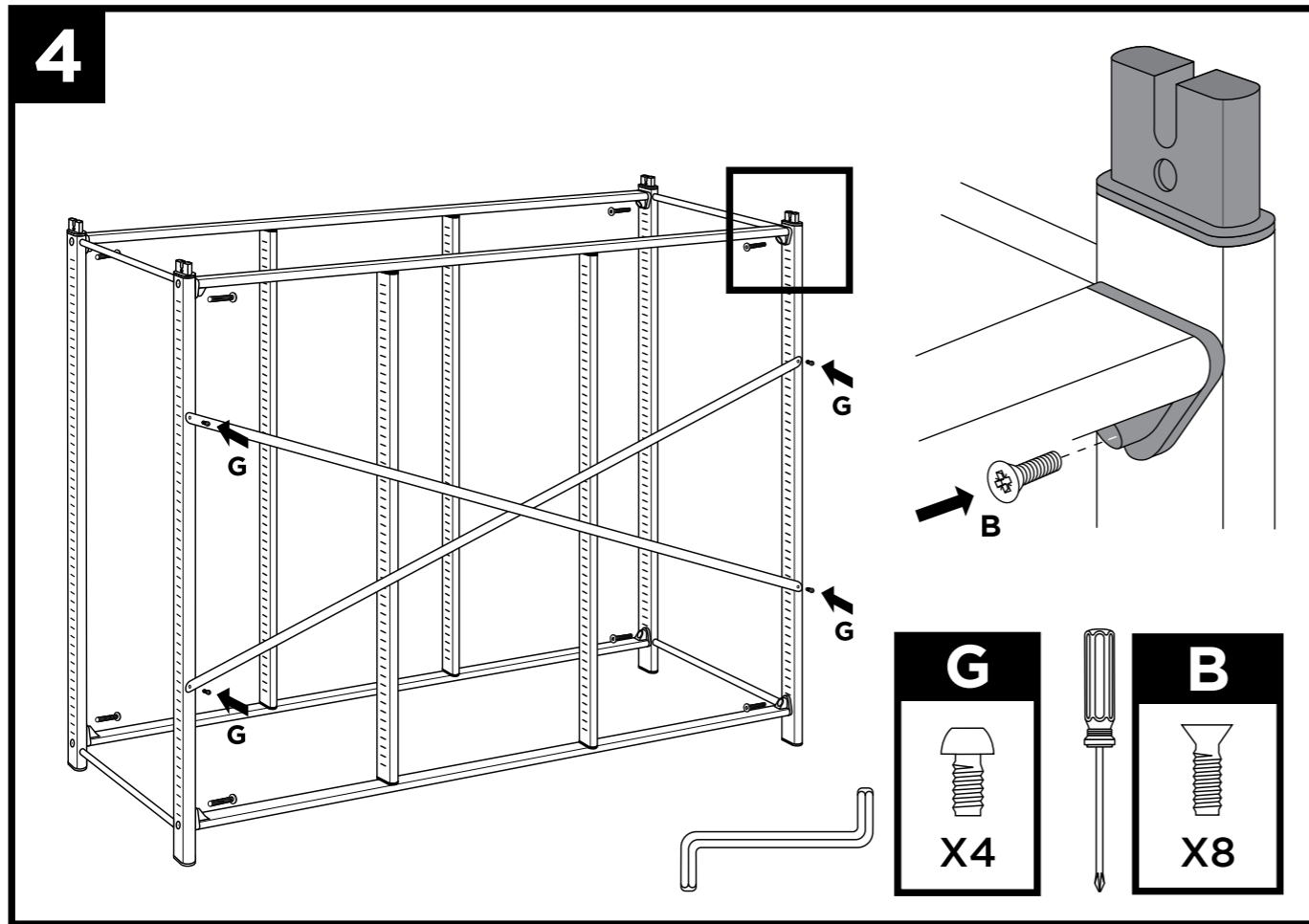
BOX C

1

2

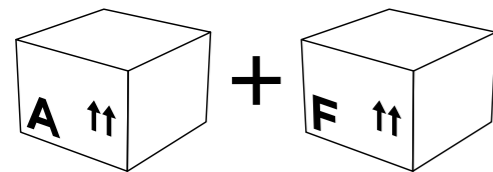
3





Double Column Unit

Dimensions: 1030(H) x 695(W) x 430mm(D).



BOX A

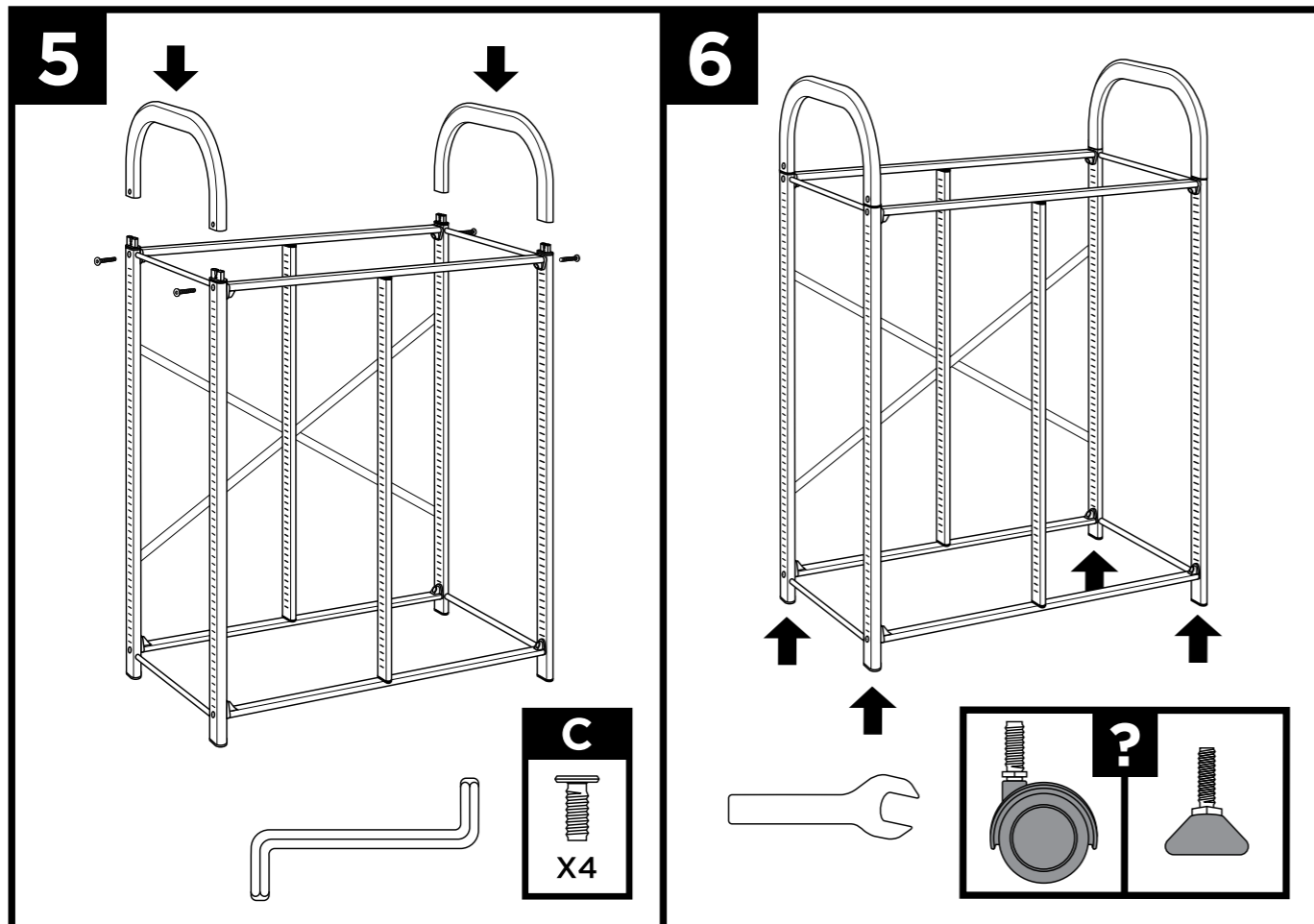
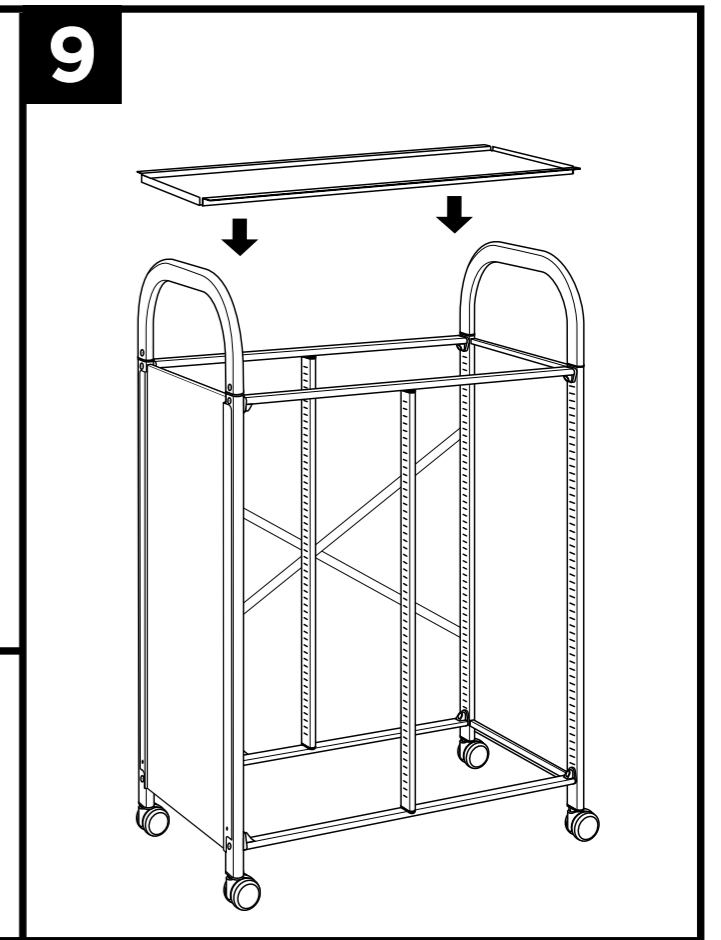
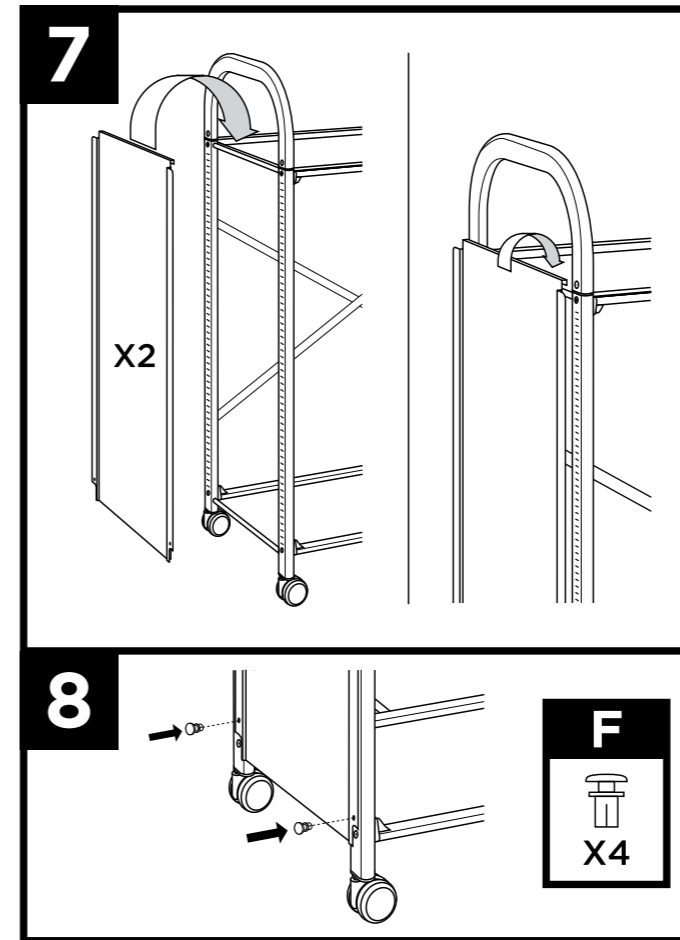
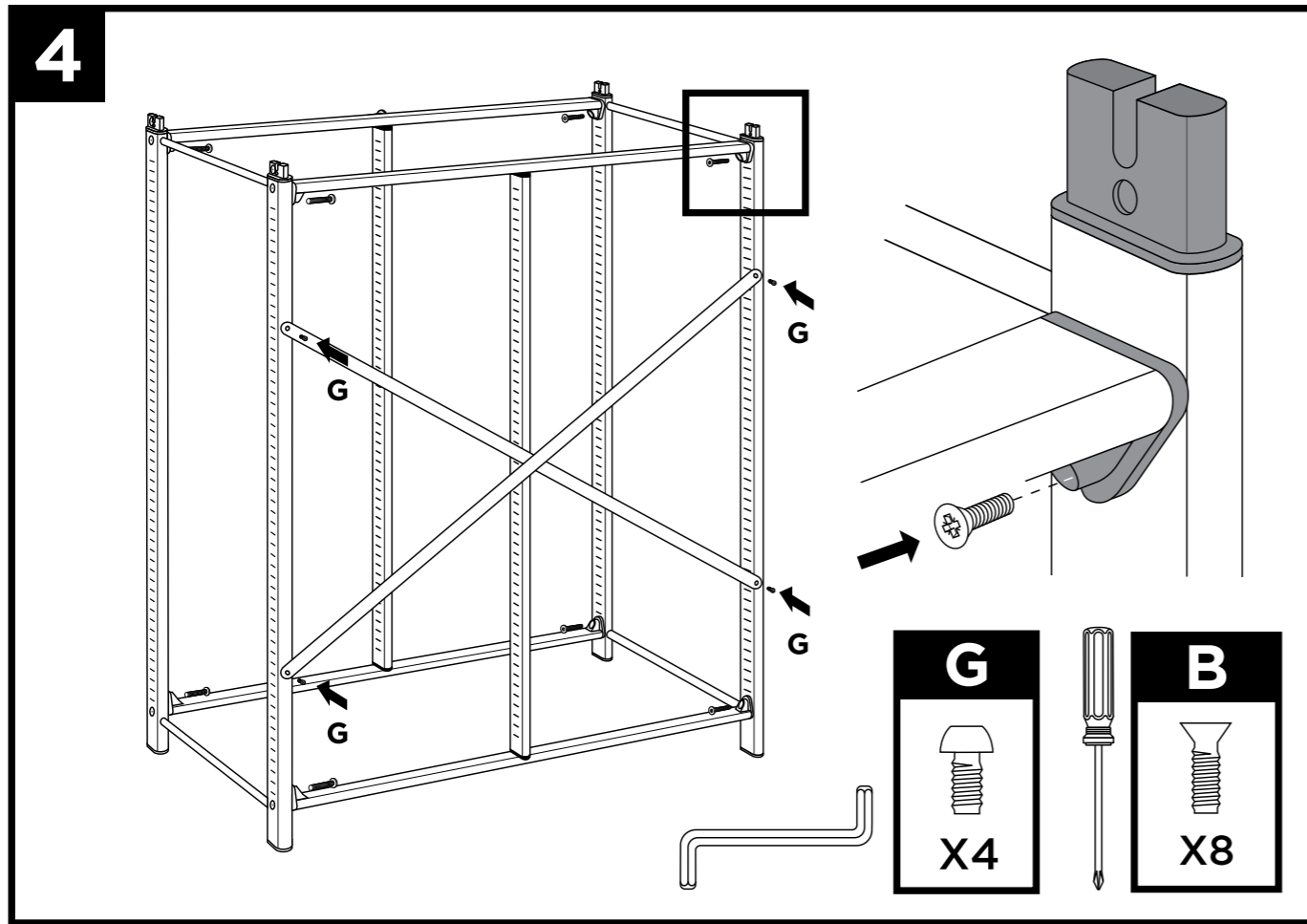
BOX F

1

2

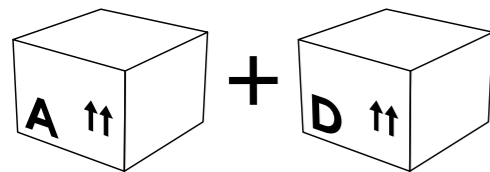
3





Tilted Tray Unit

Dimensions: 1030(H) x 1025(W) x 430mm(D).



BOX A

BOX D

⊕ ⊖
✓ ✗

1

G
X4

A
X8

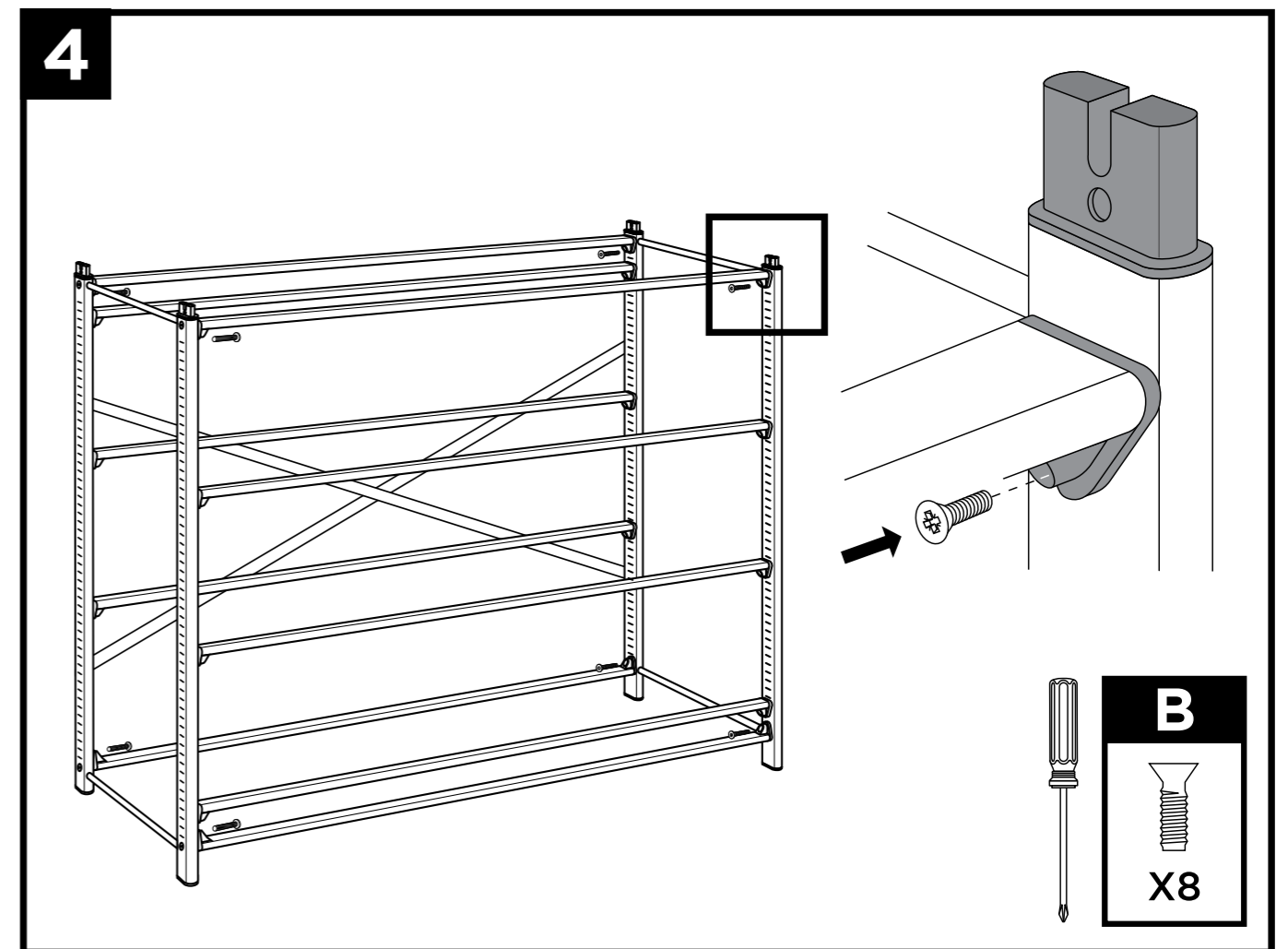
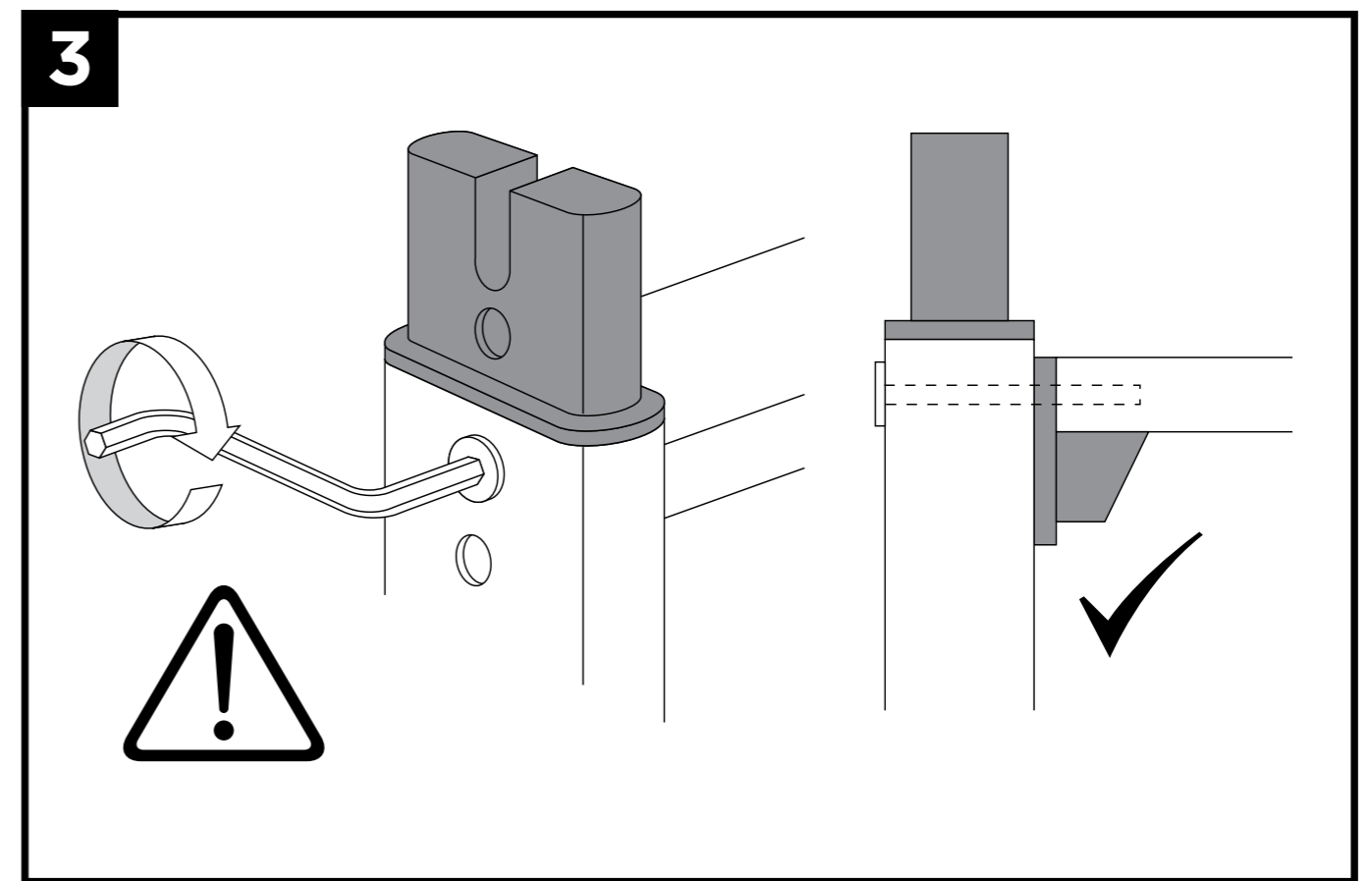
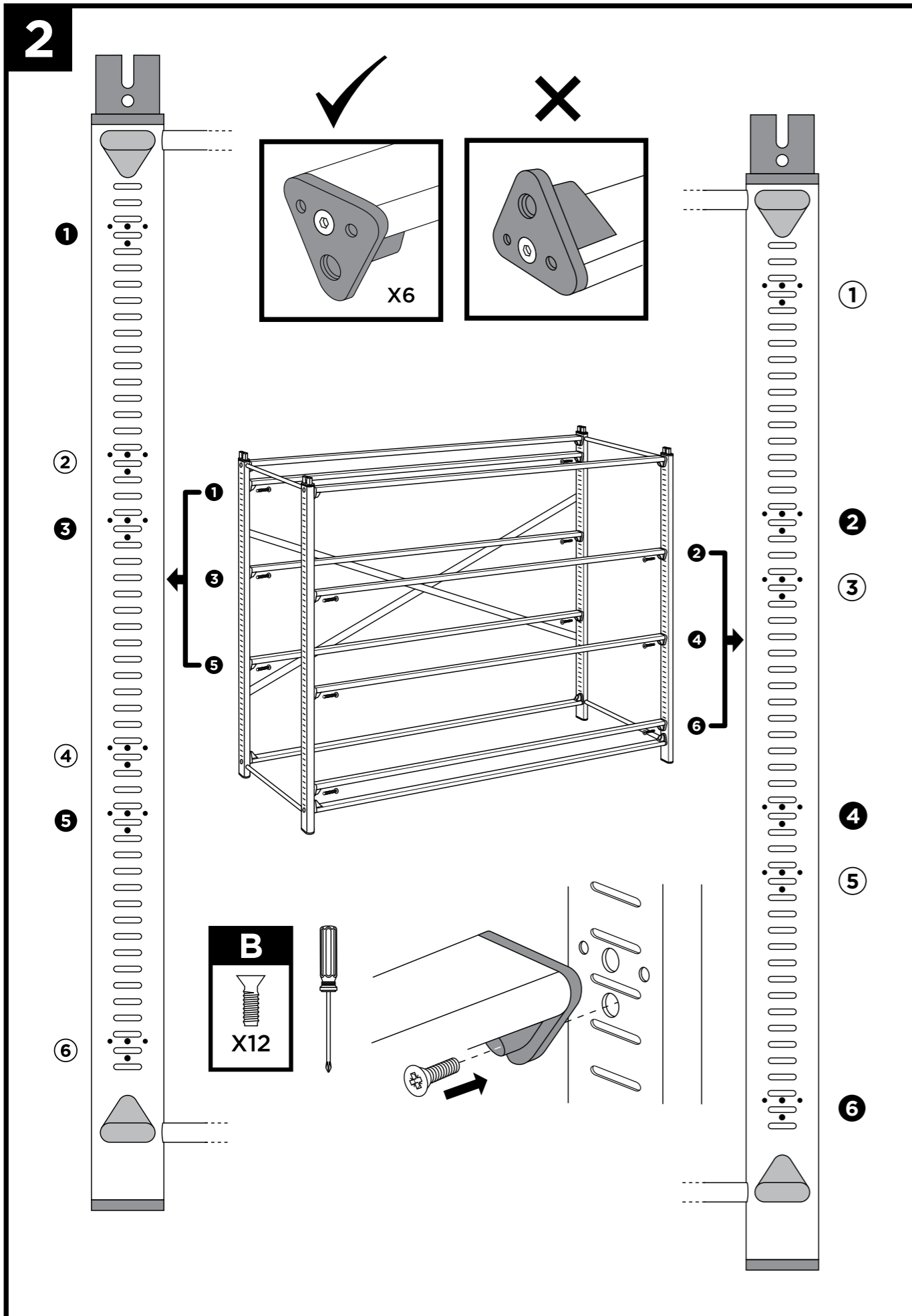
1

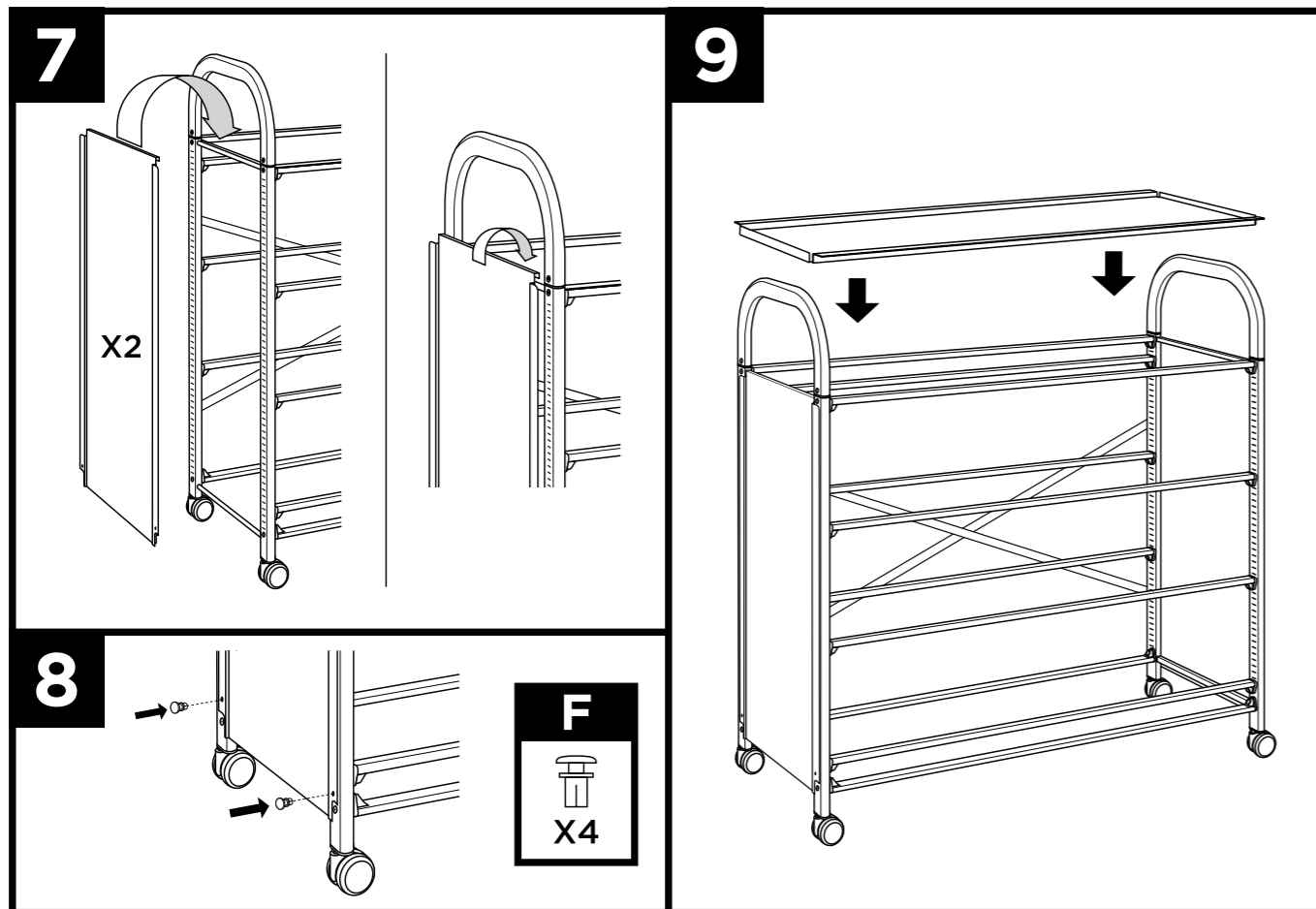
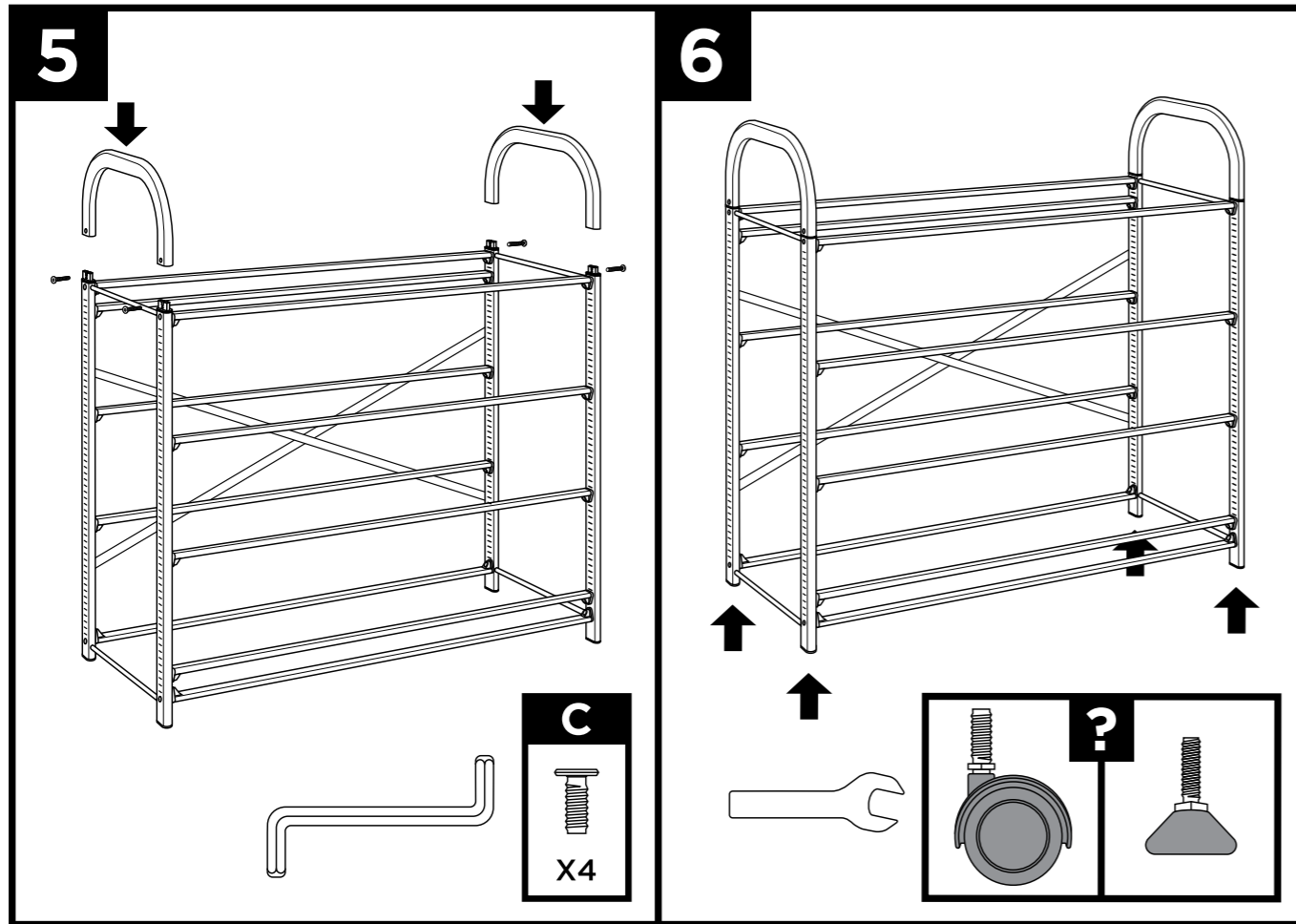
2

A
X8

1MM

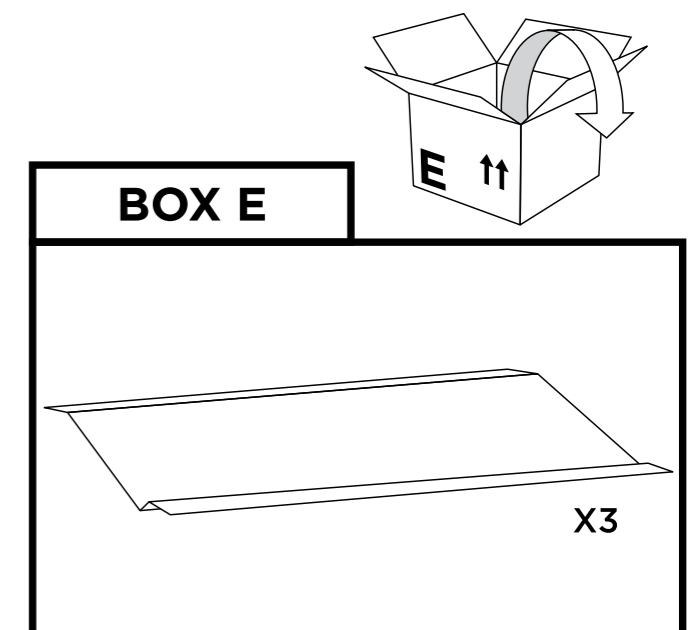
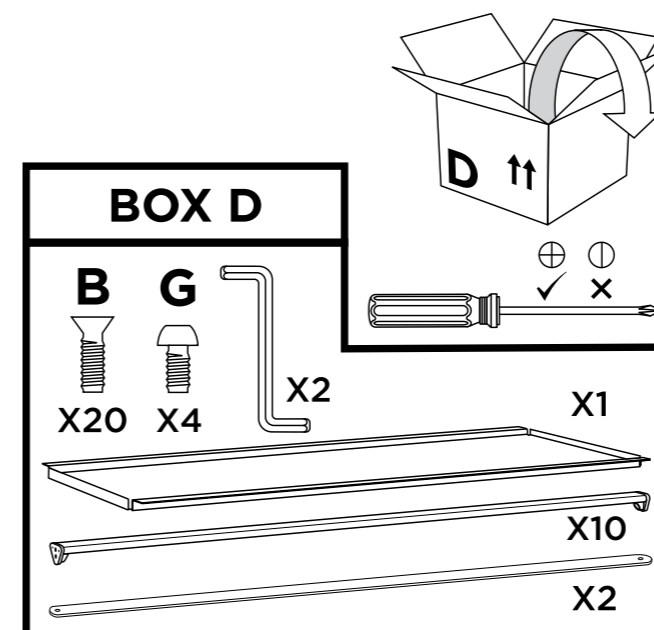
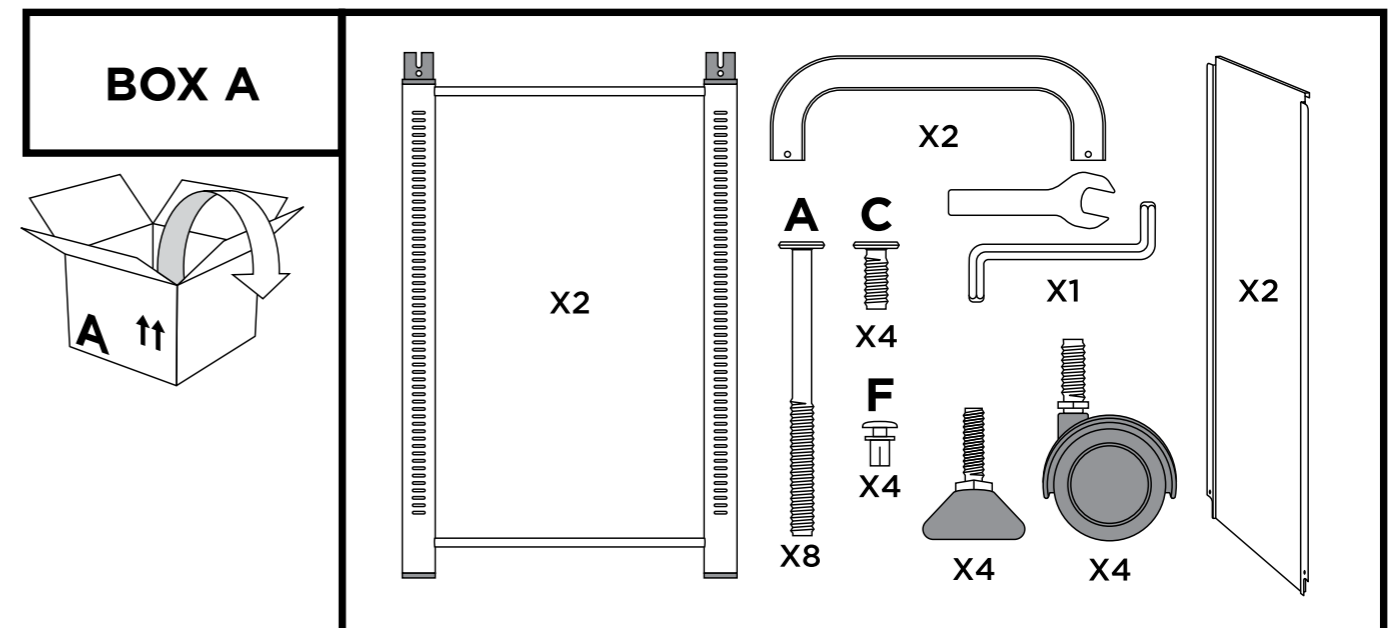
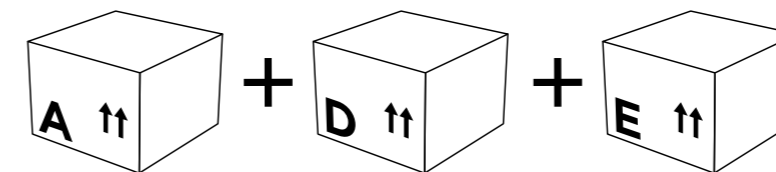


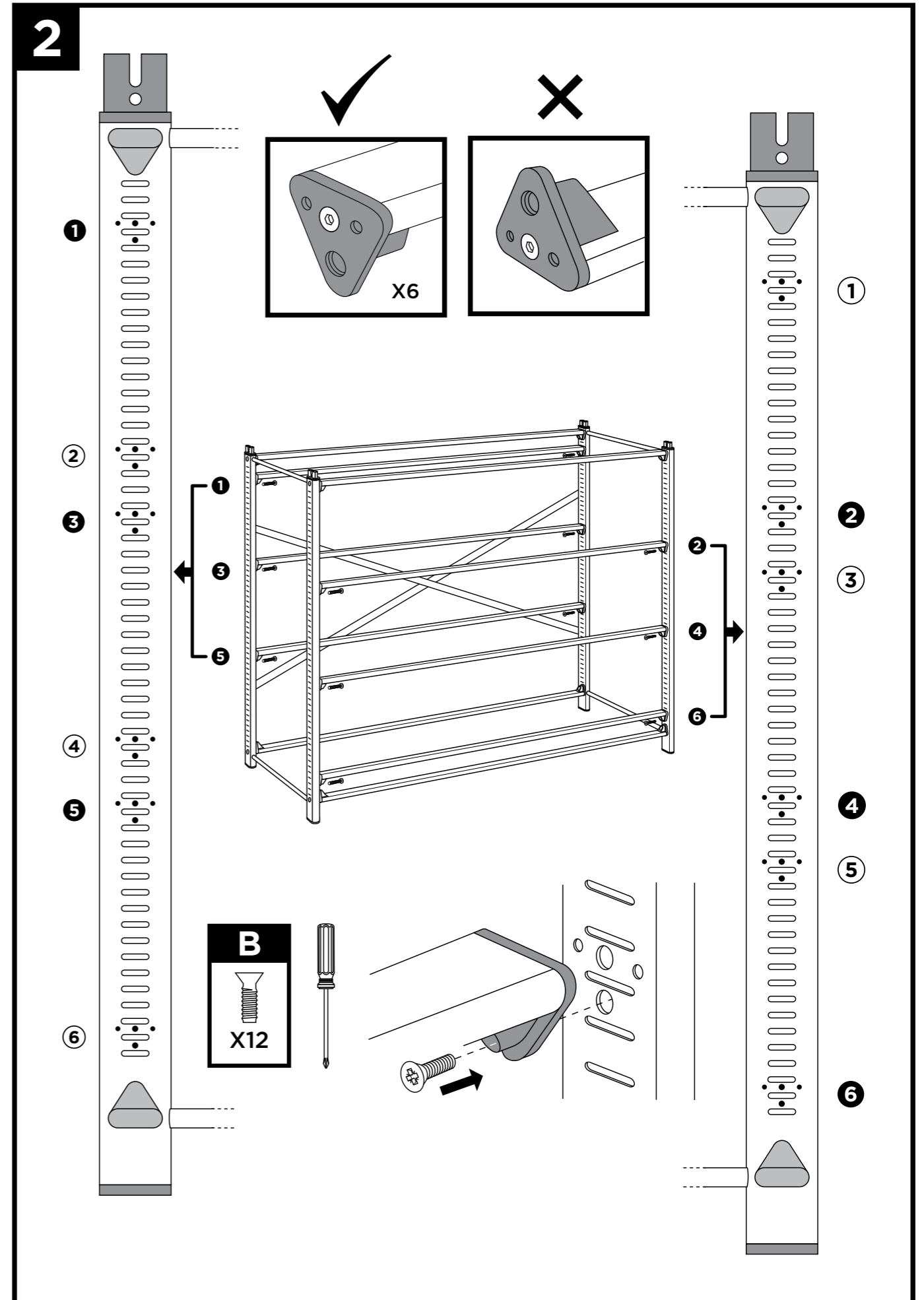
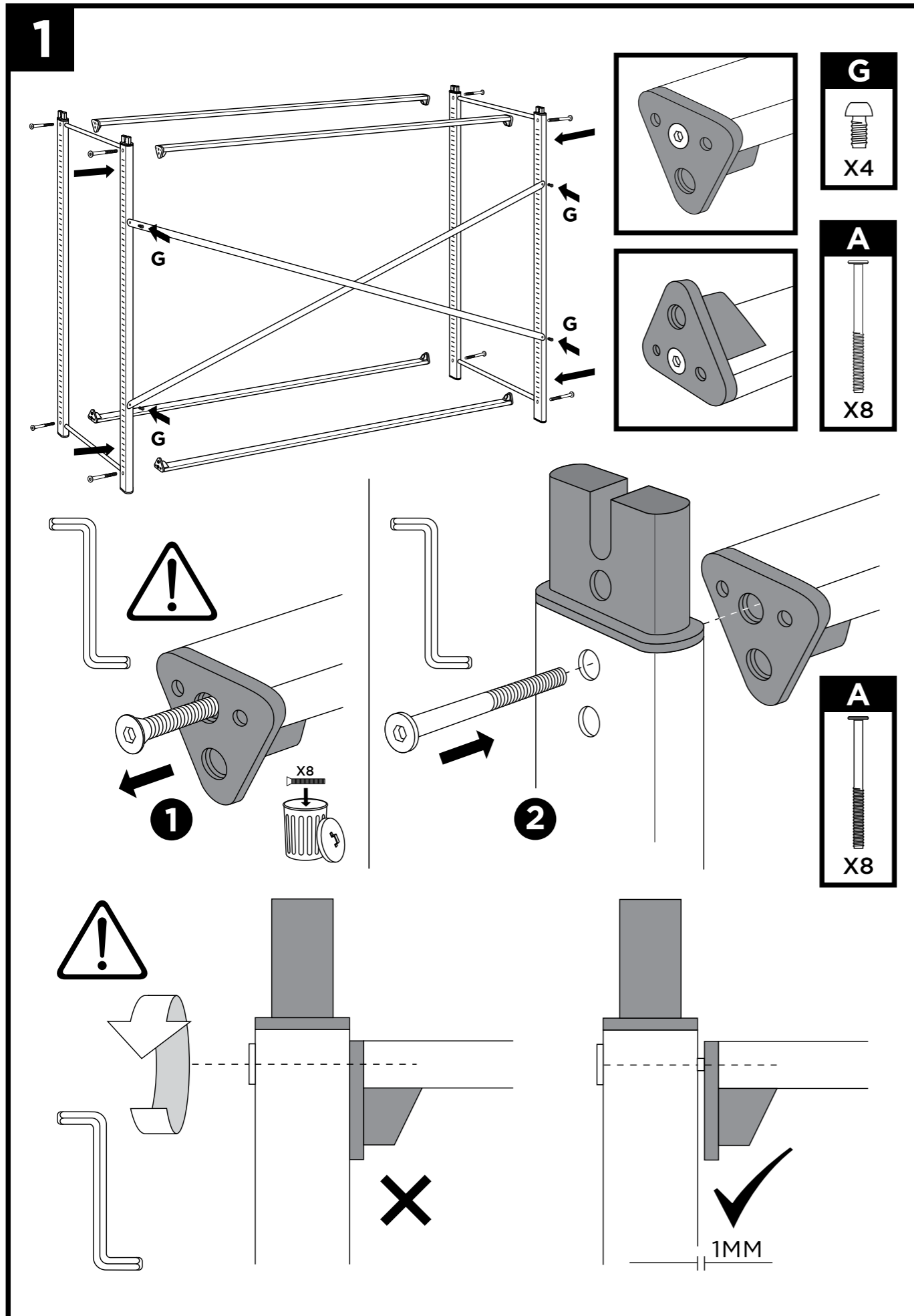


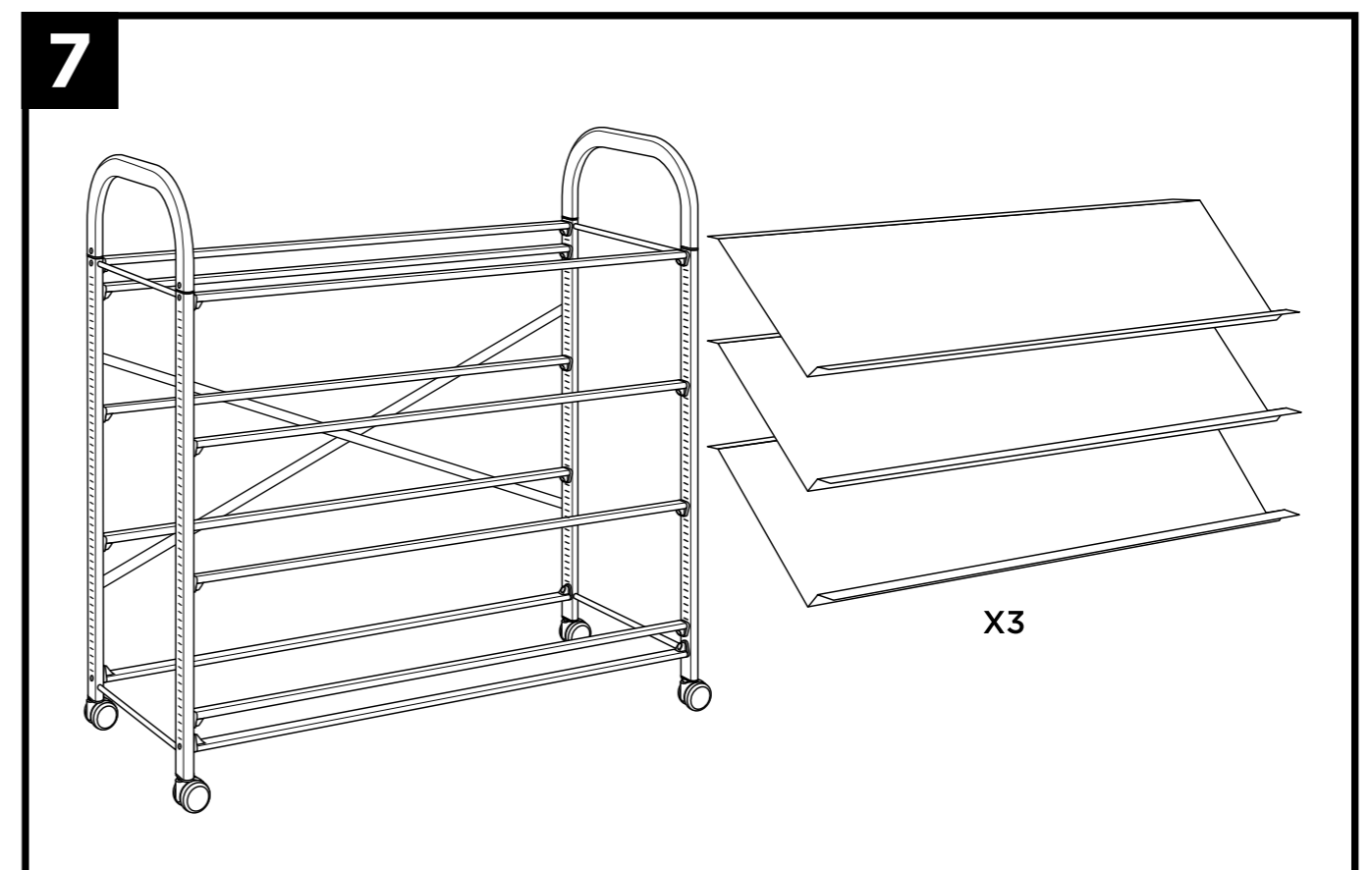
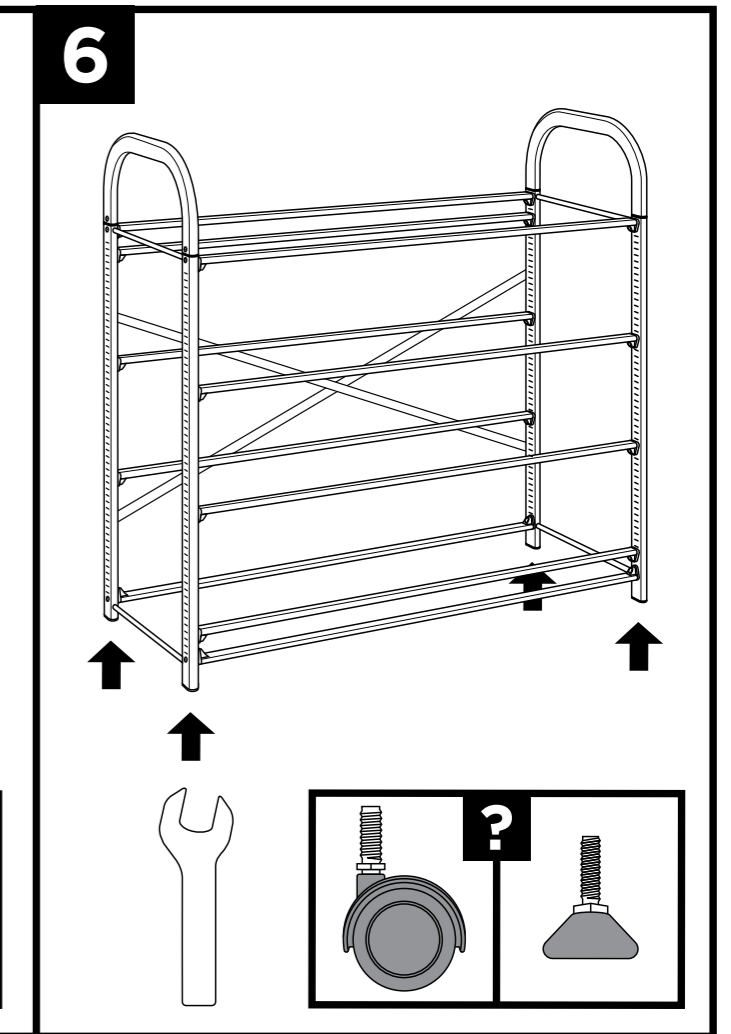
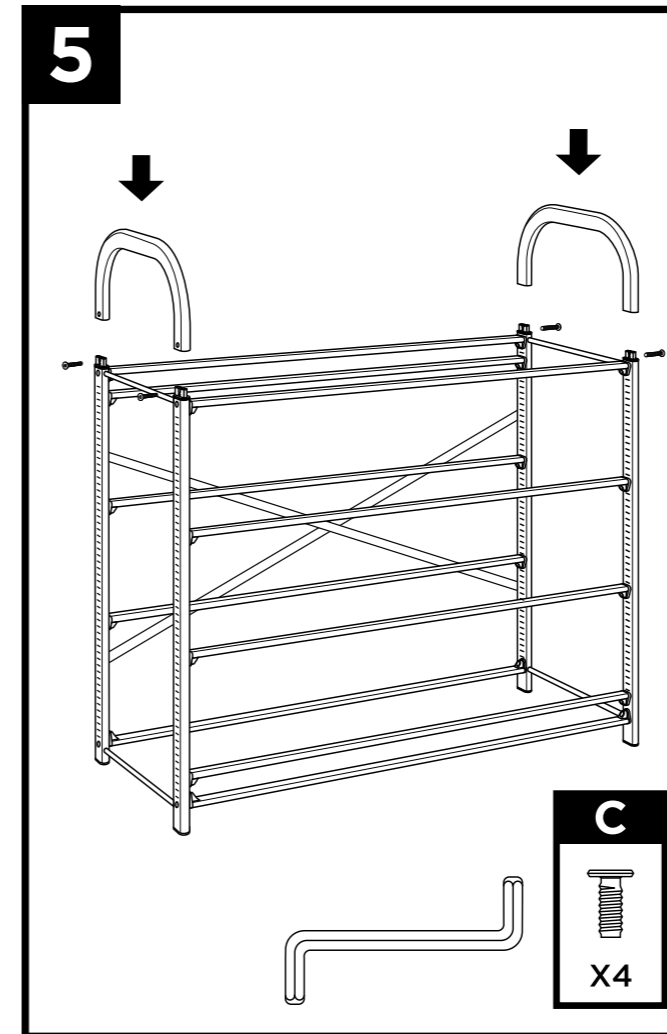
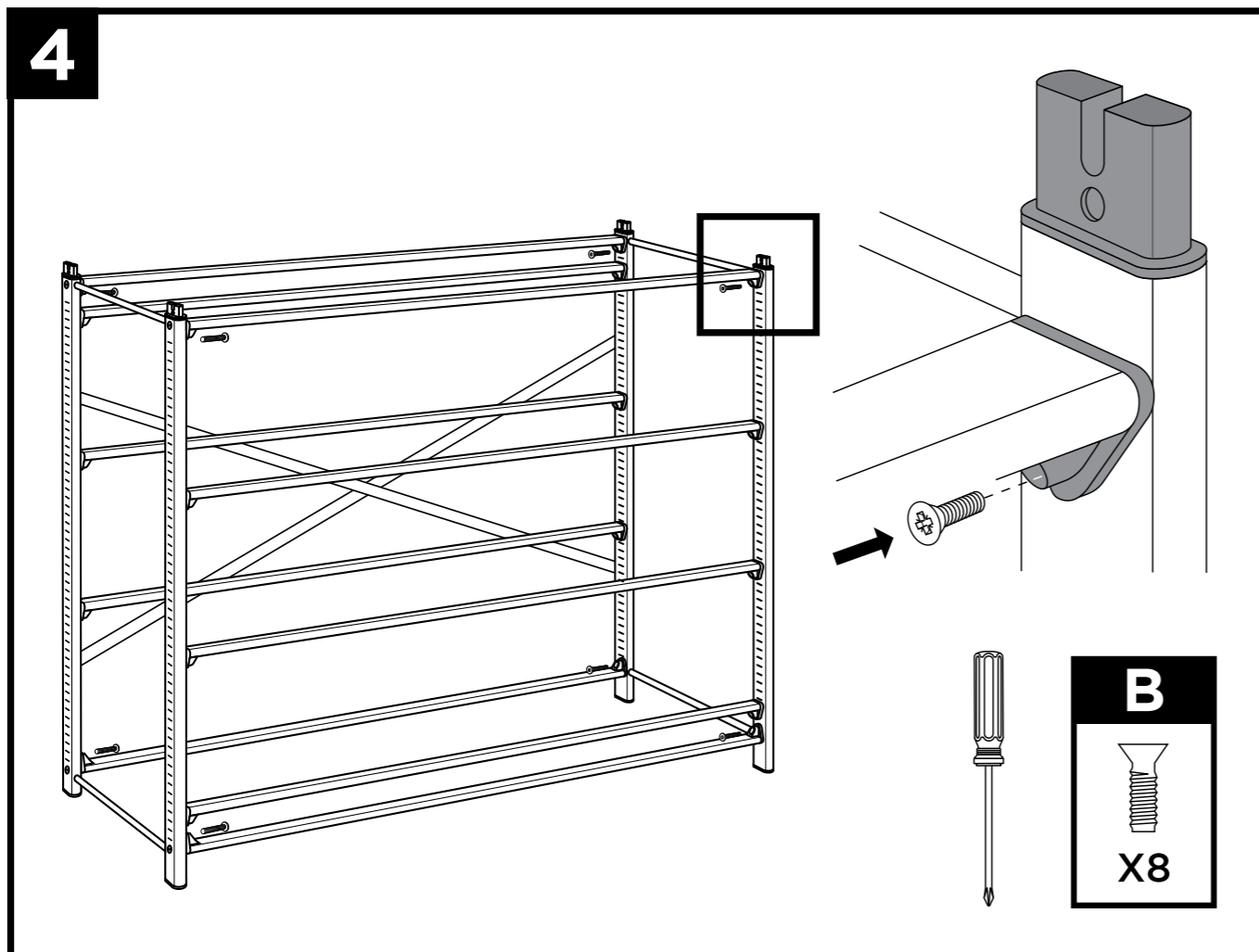
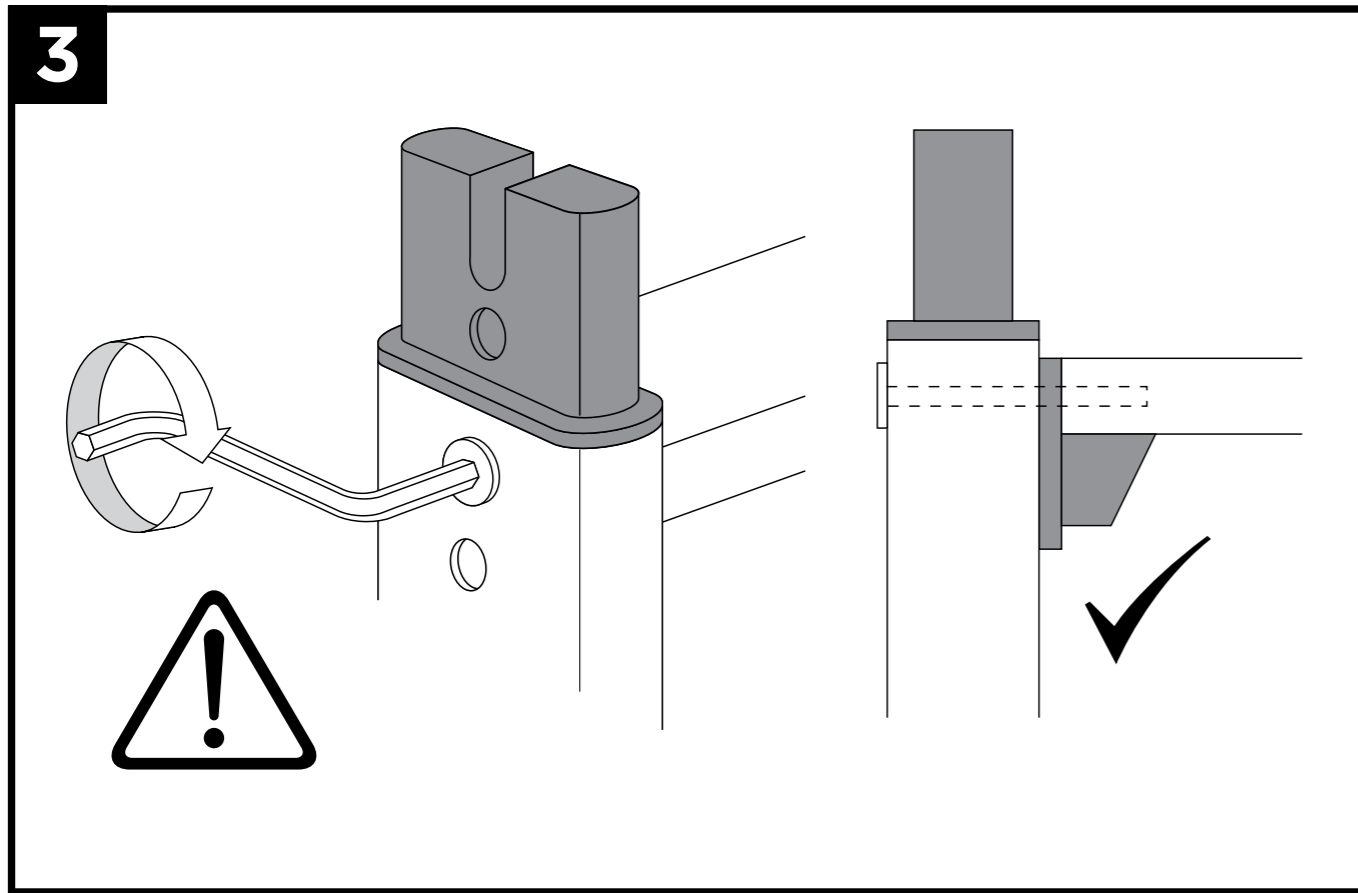


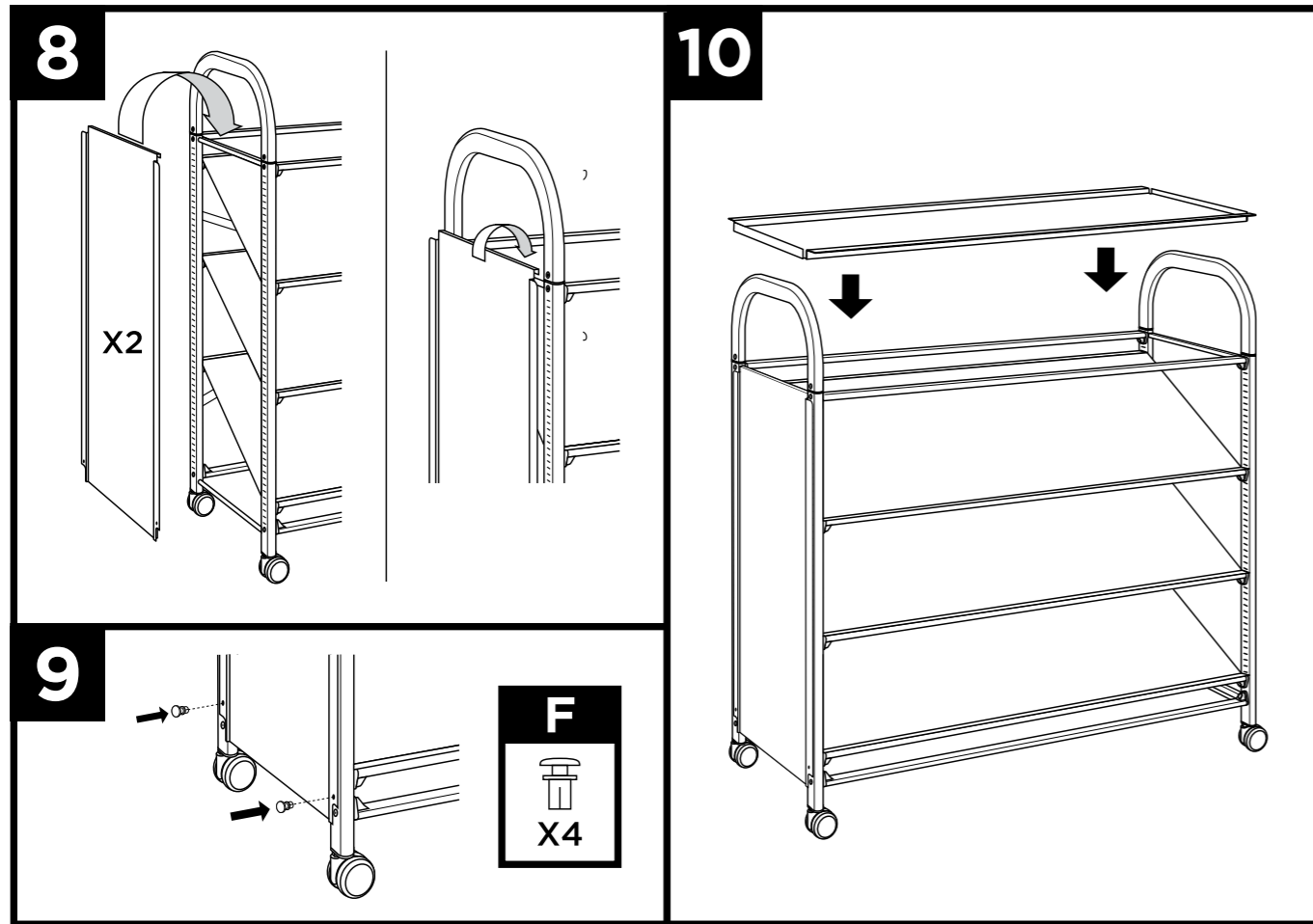
Tilted Shelf Unit

Dimensions: 1030(H) x 1025(W) x 430mm(D).



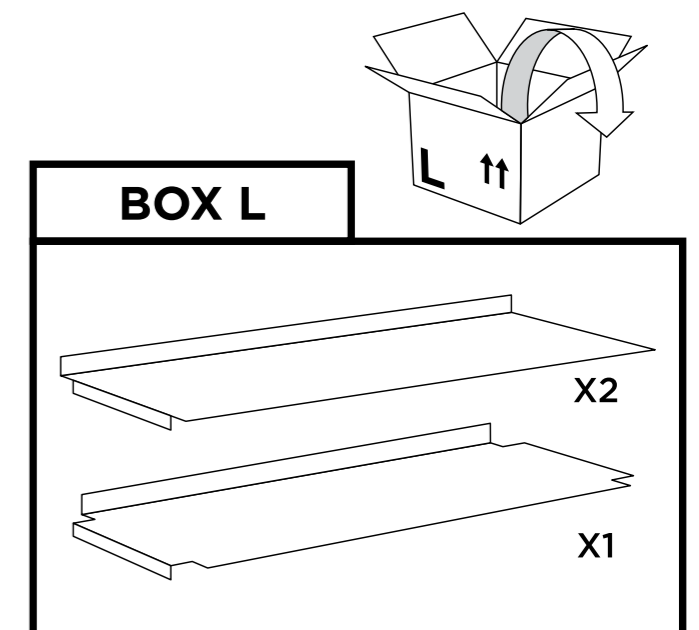
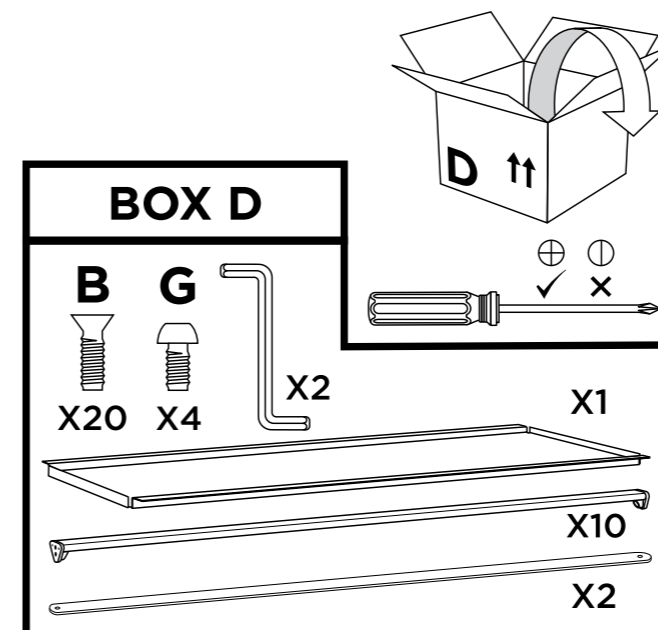
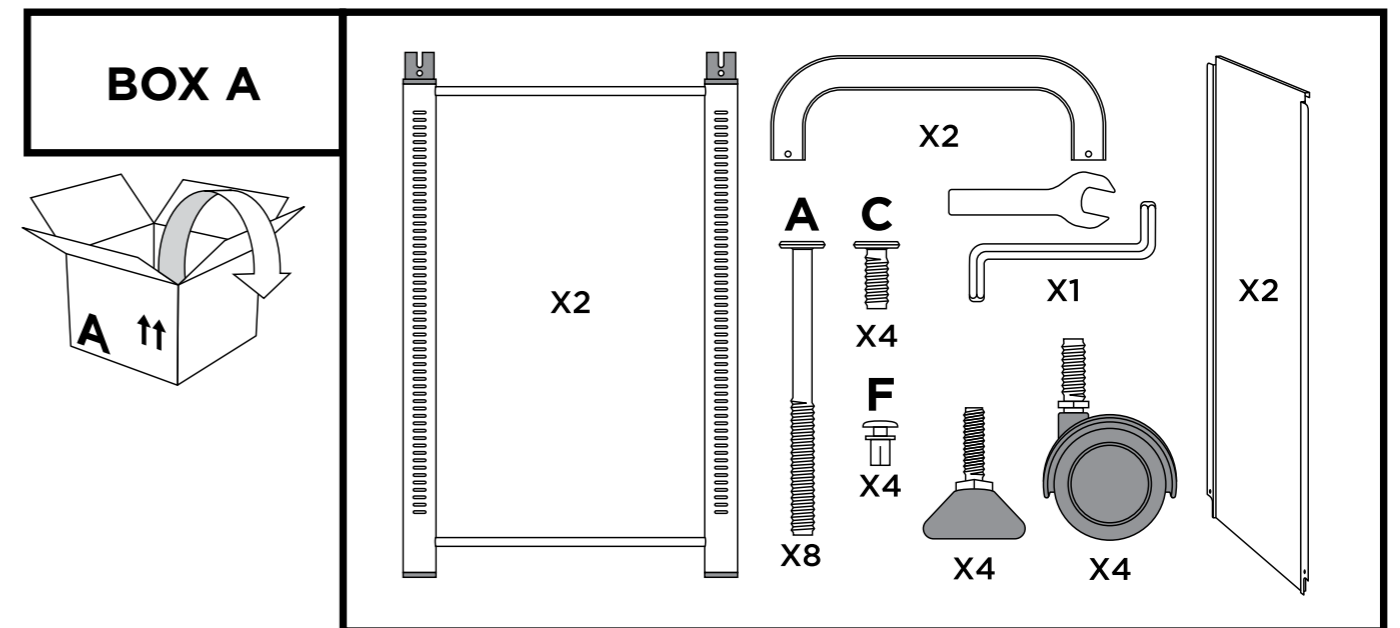
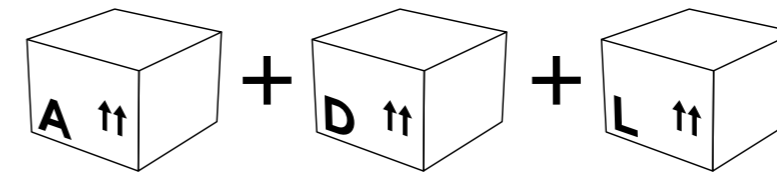


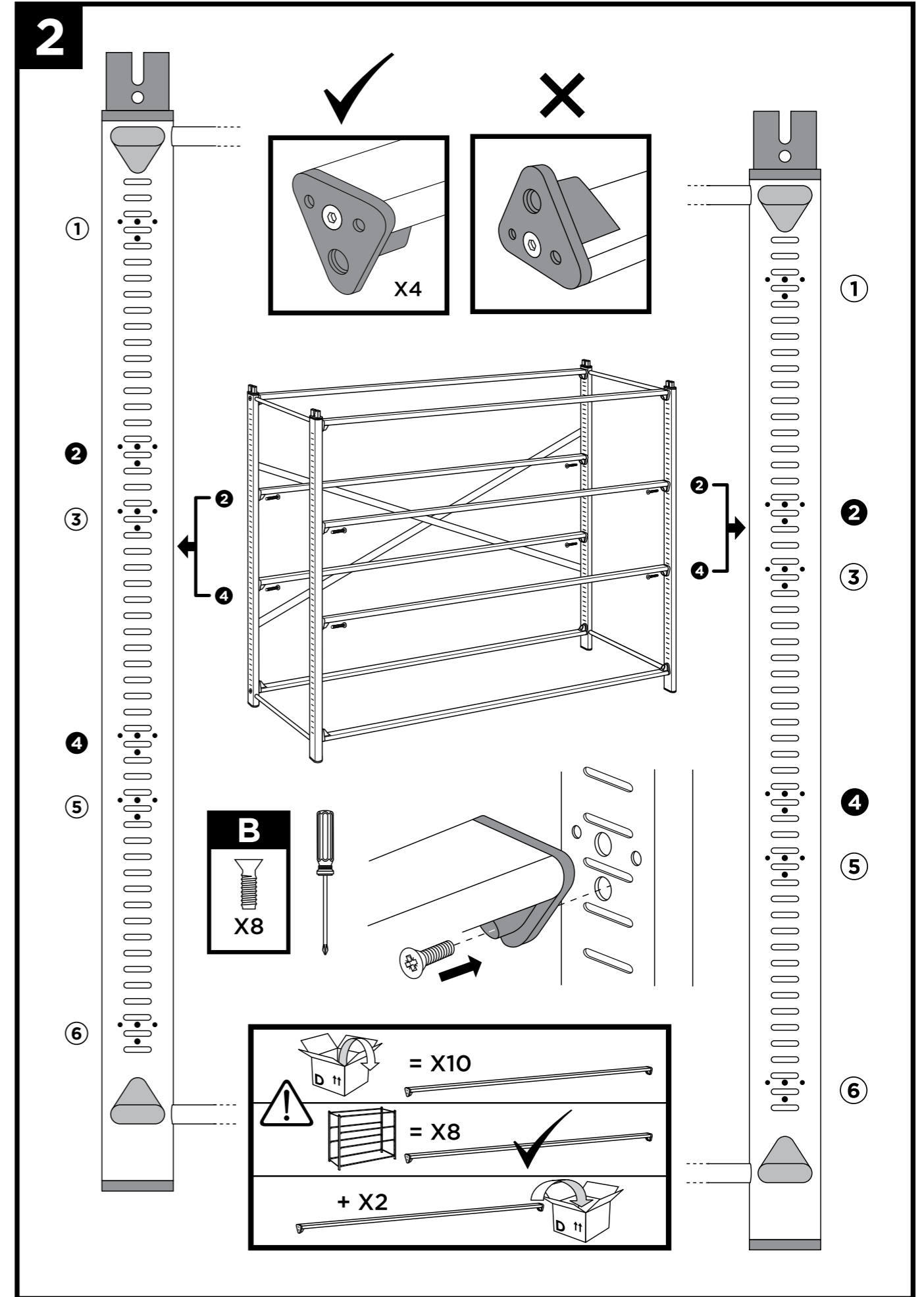
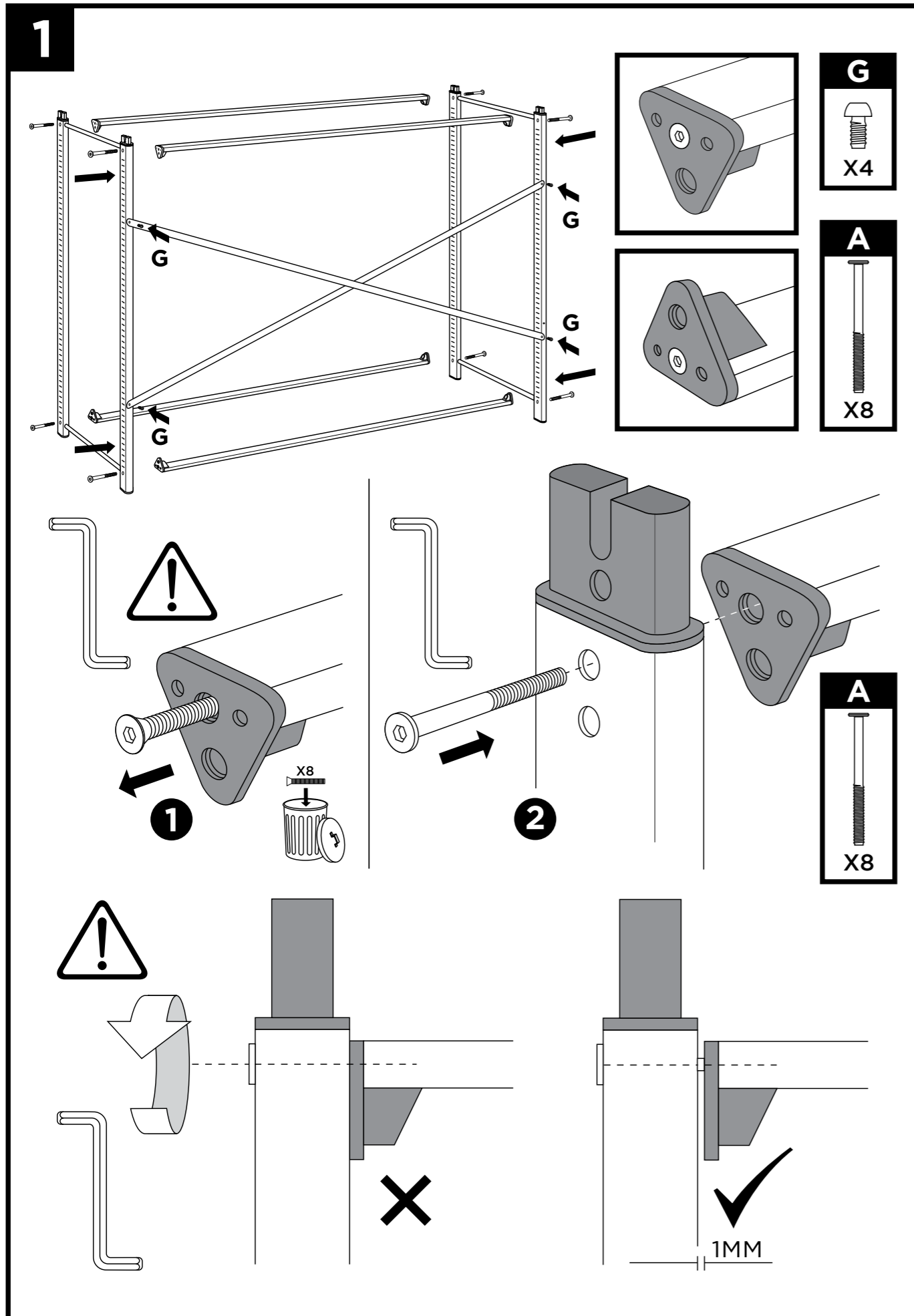


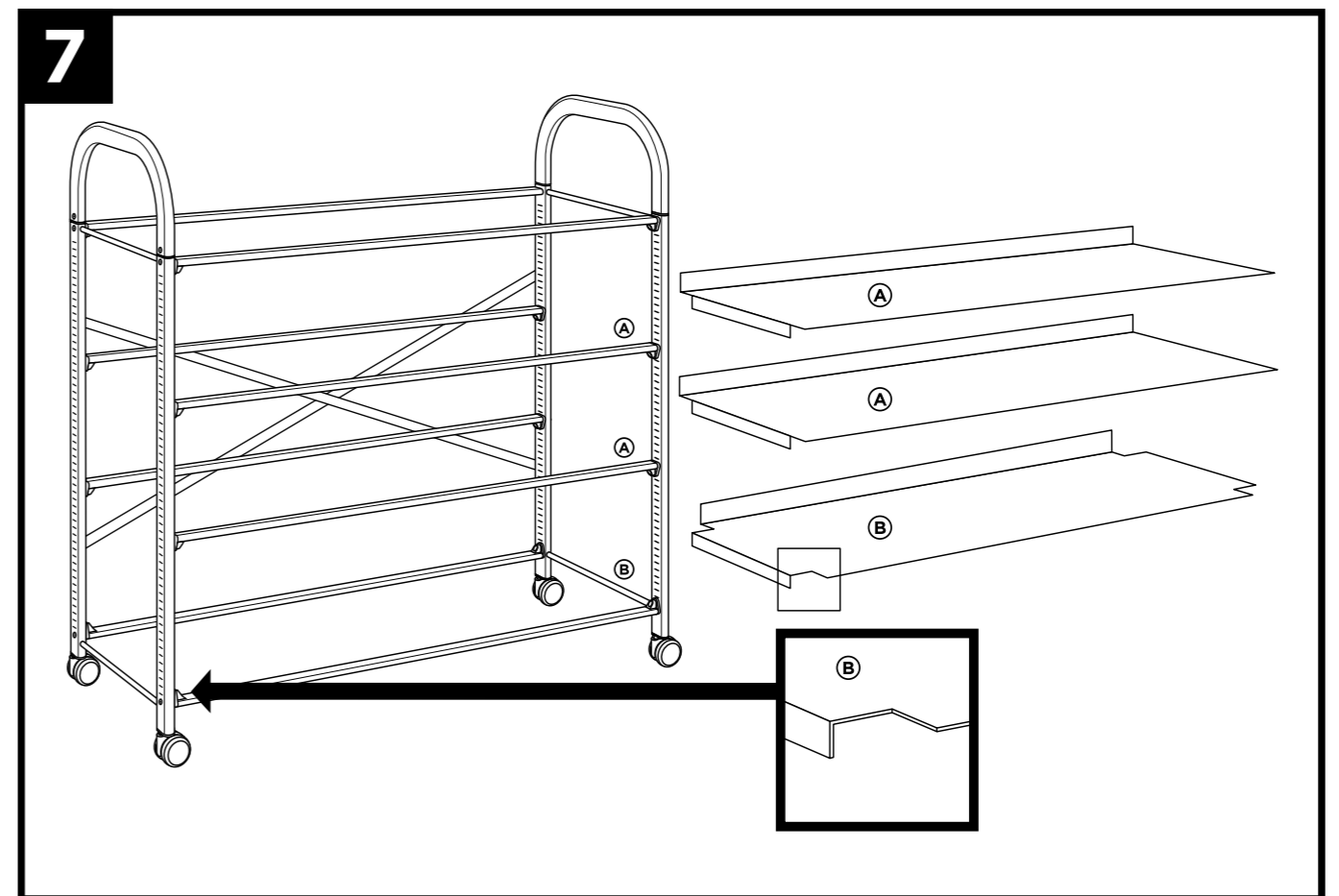
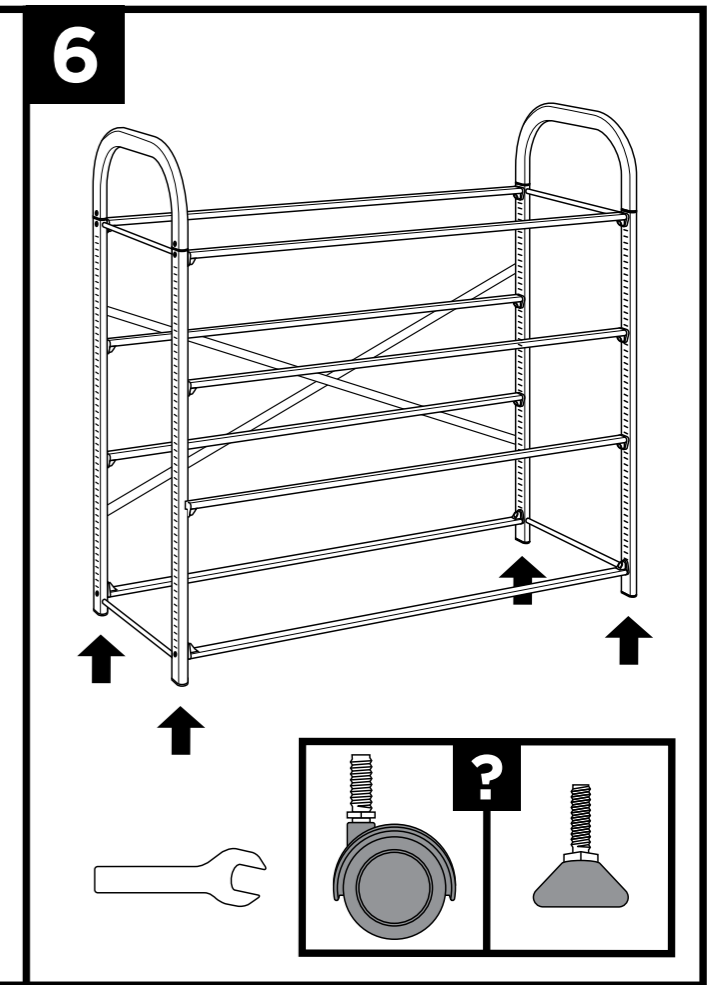
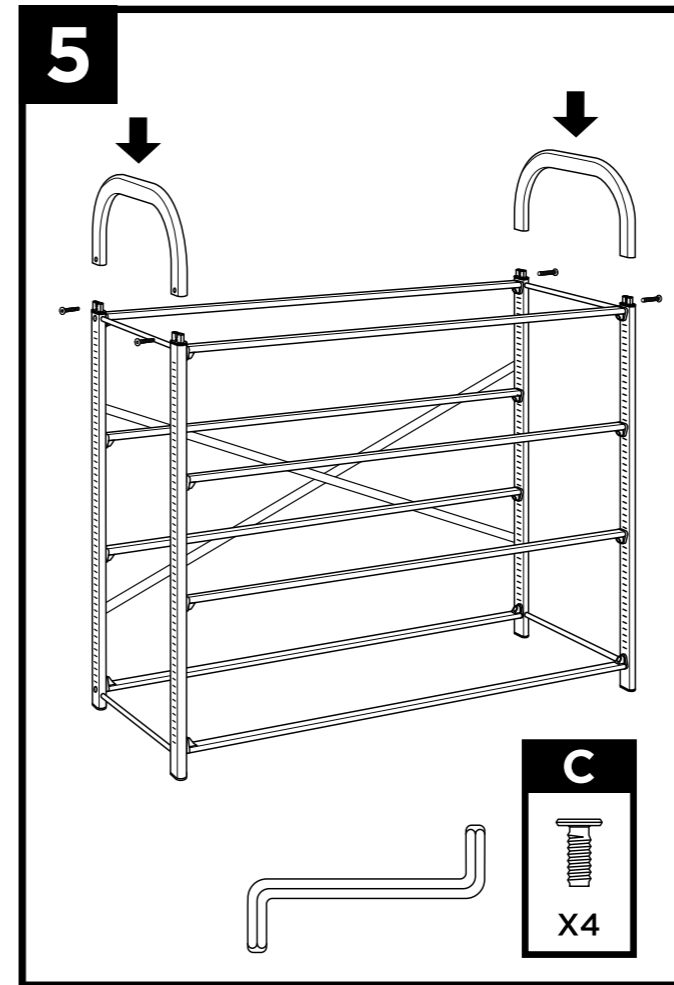
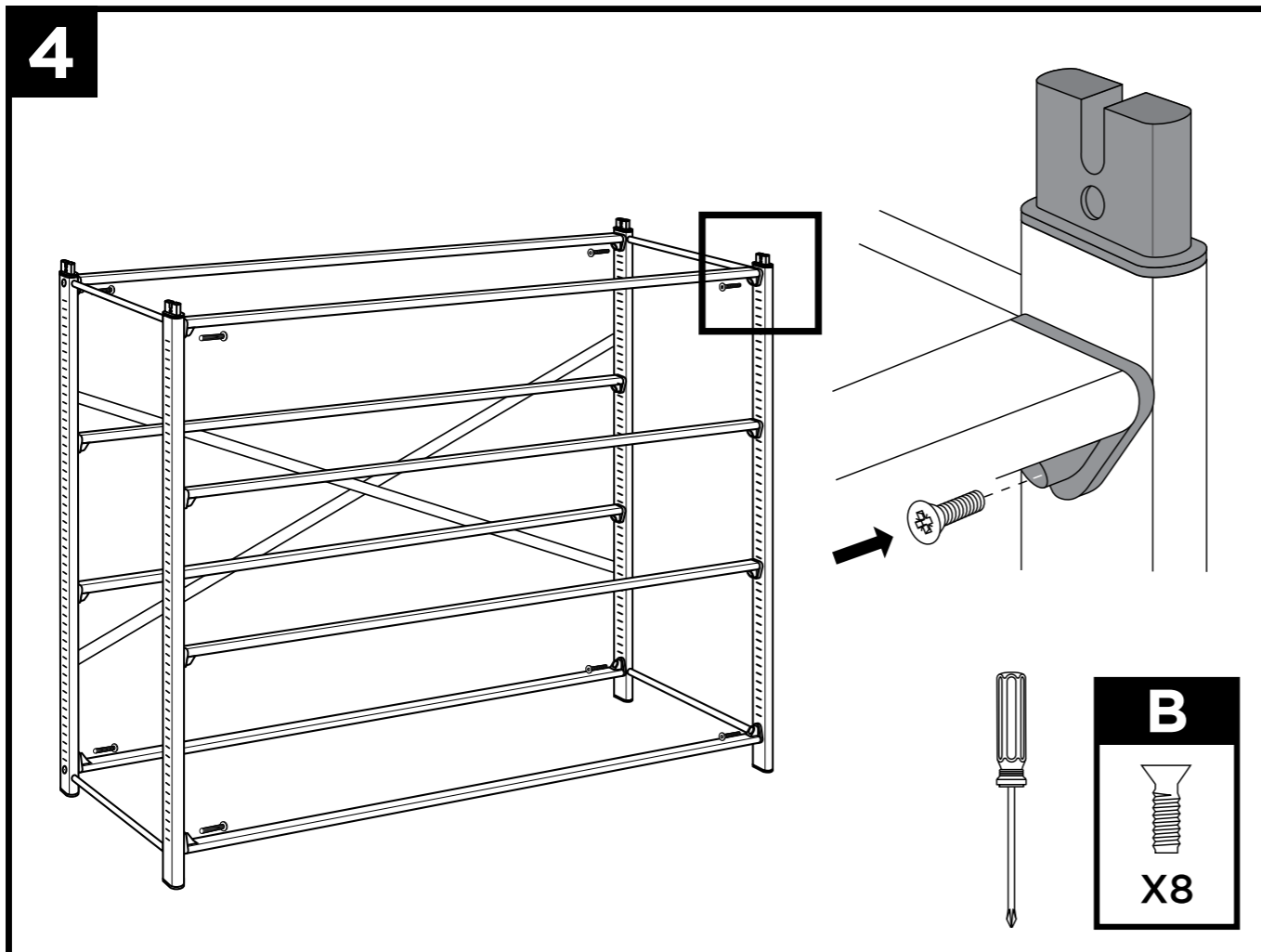
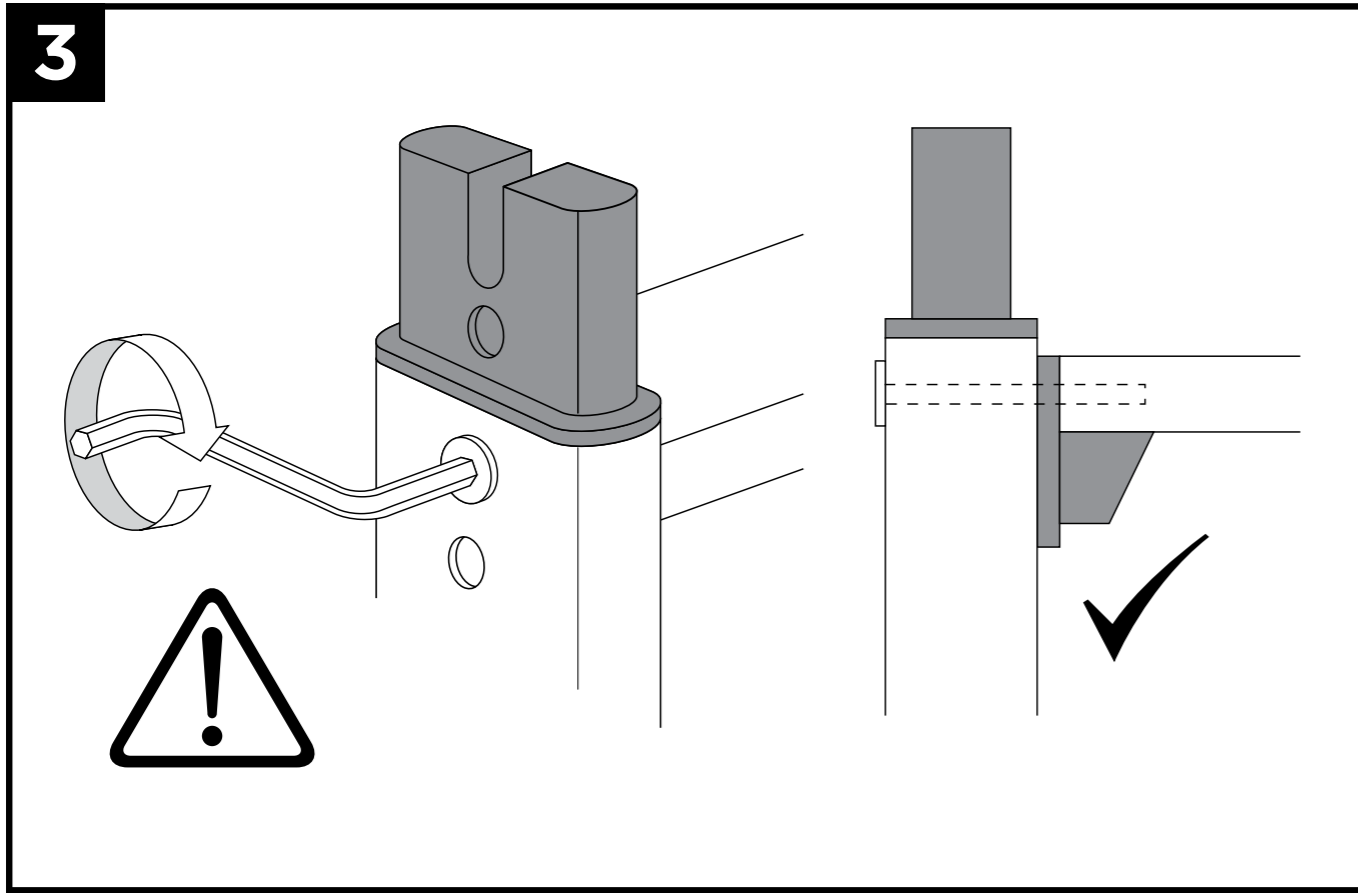


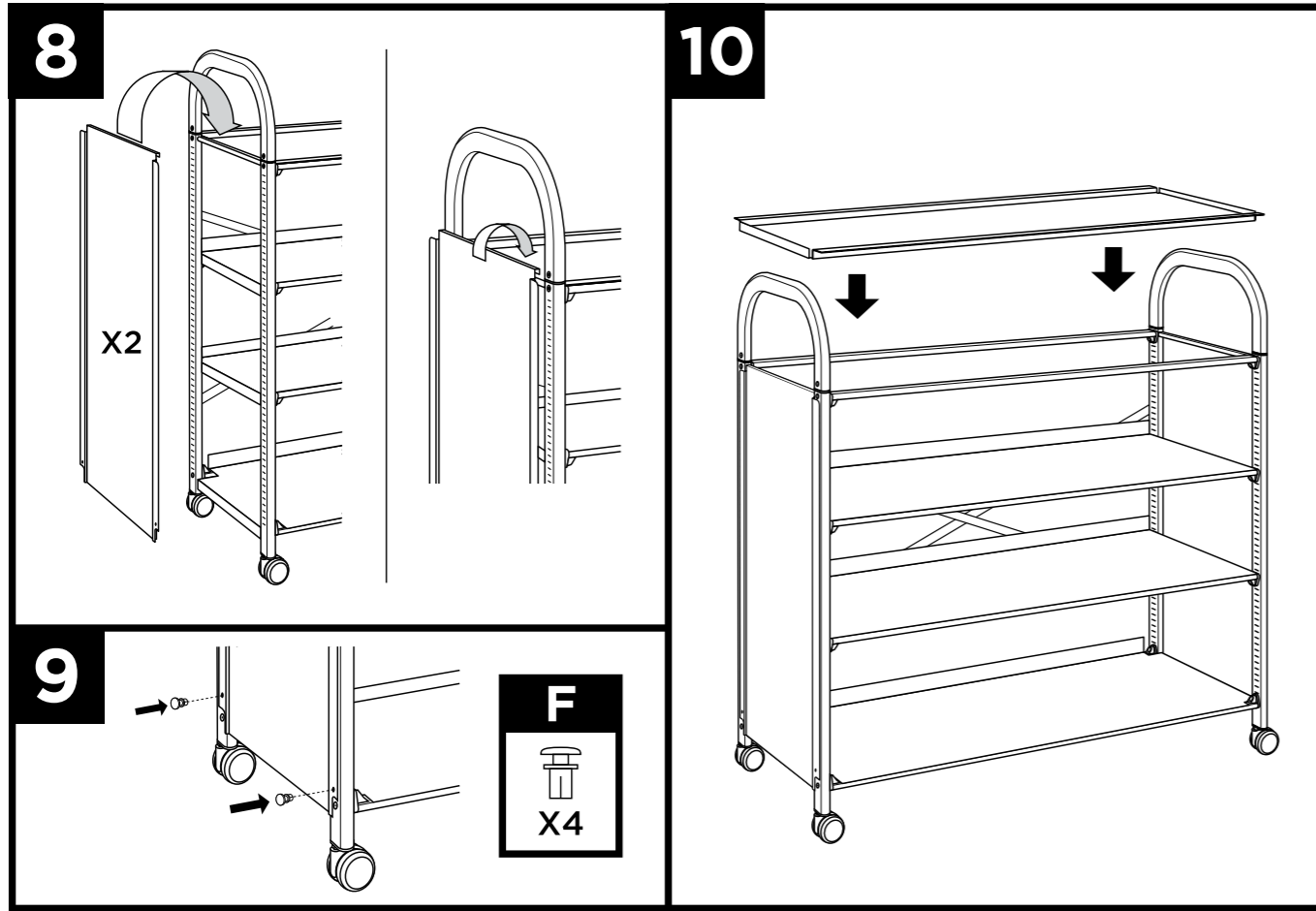
Flat Shelf Unit

Dimensions: 1030(H) x 1025(W) x 430mm(D).



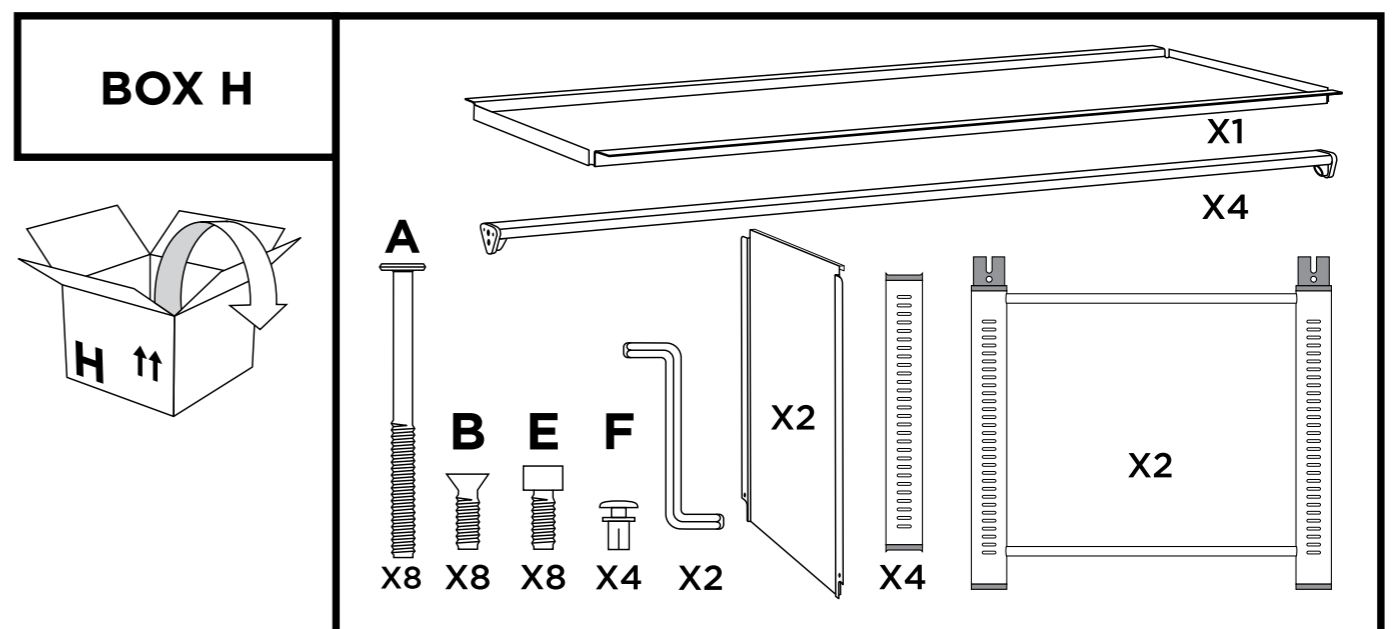
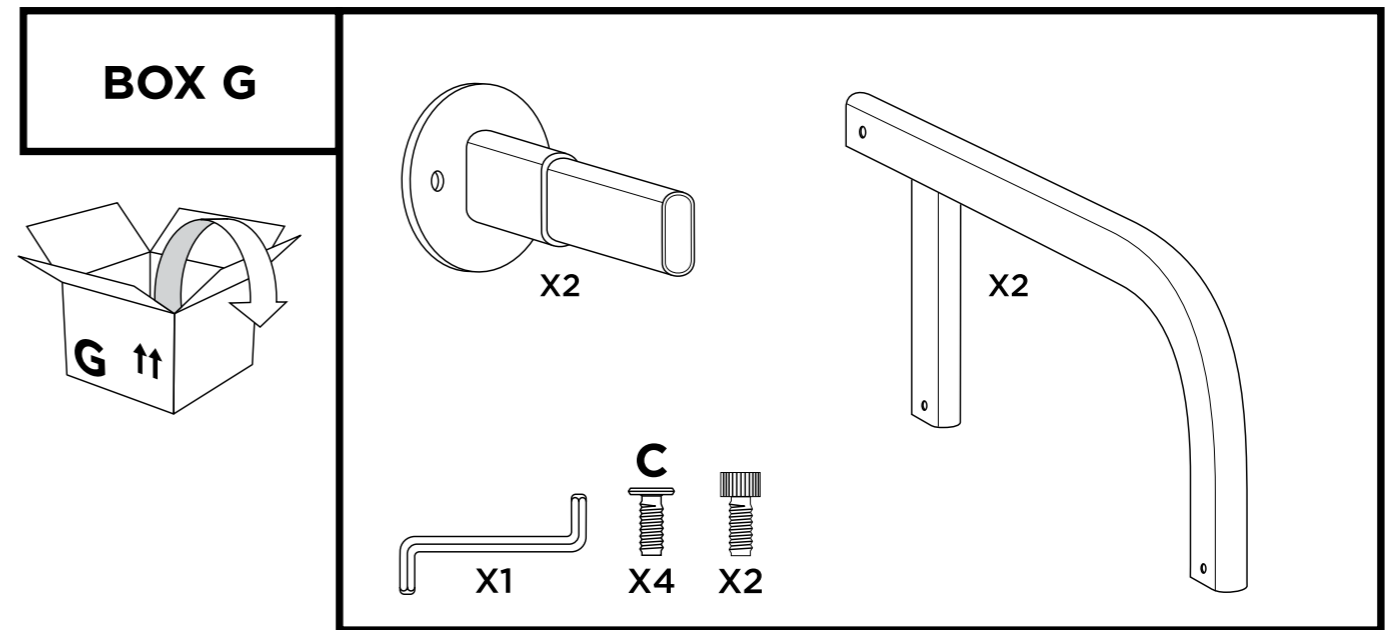
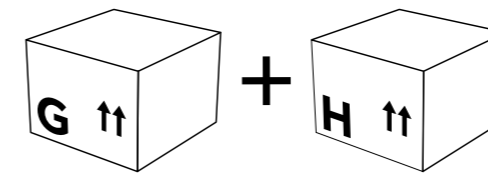
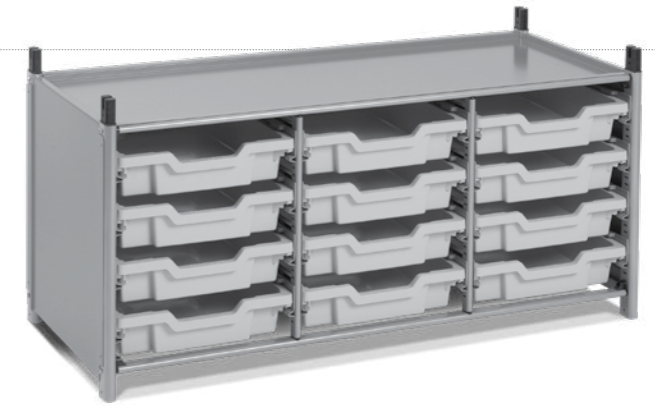


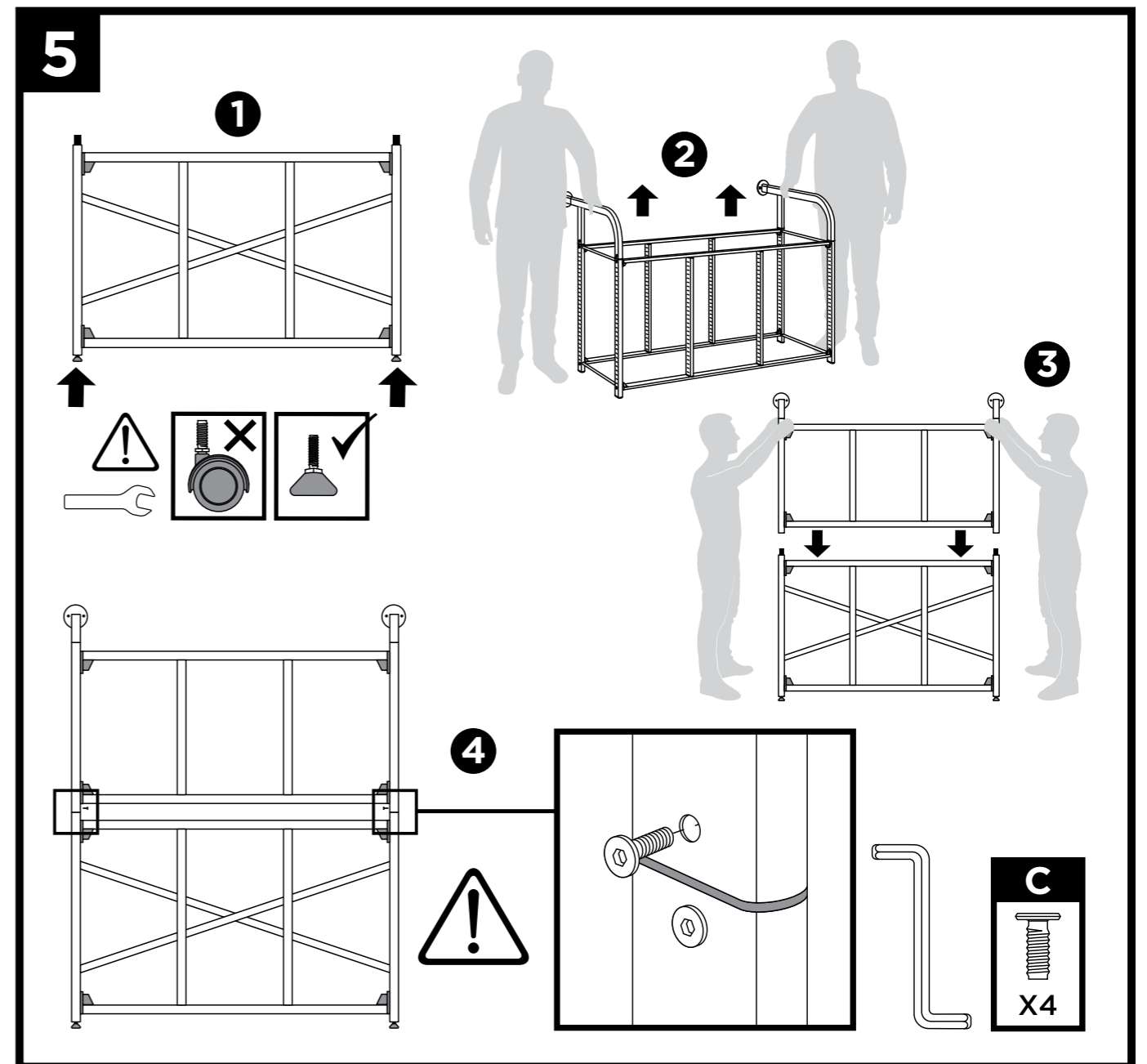
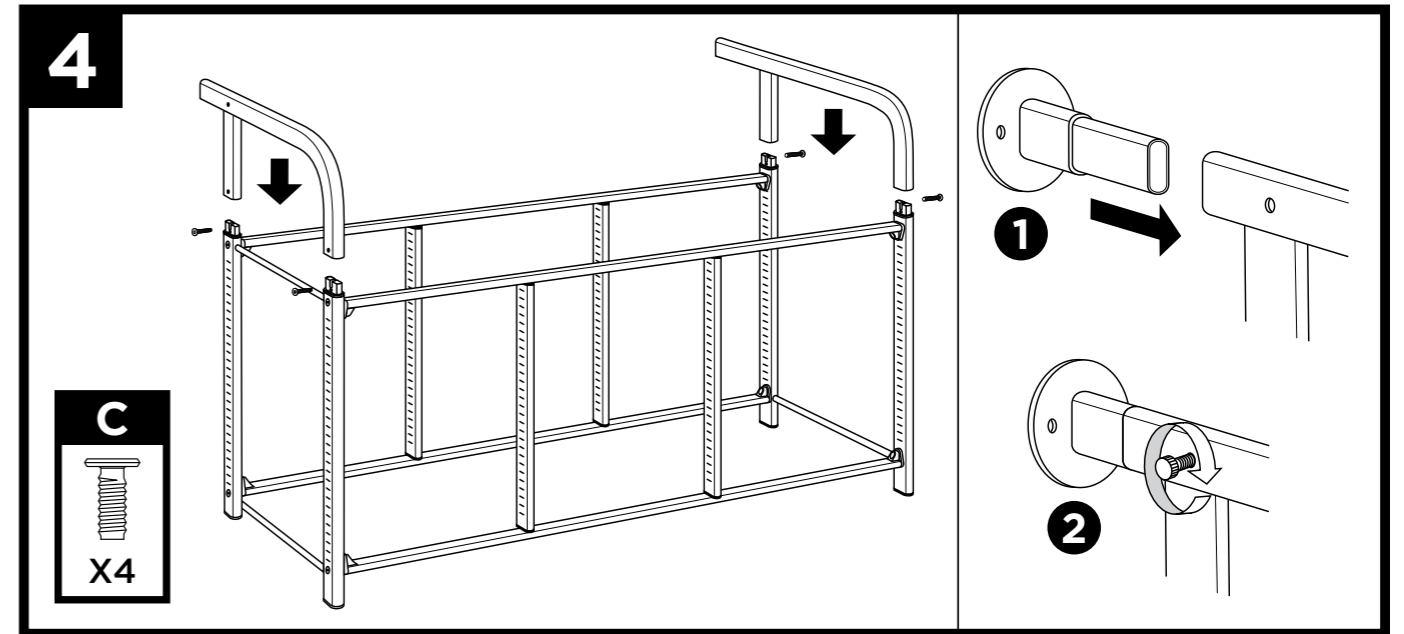
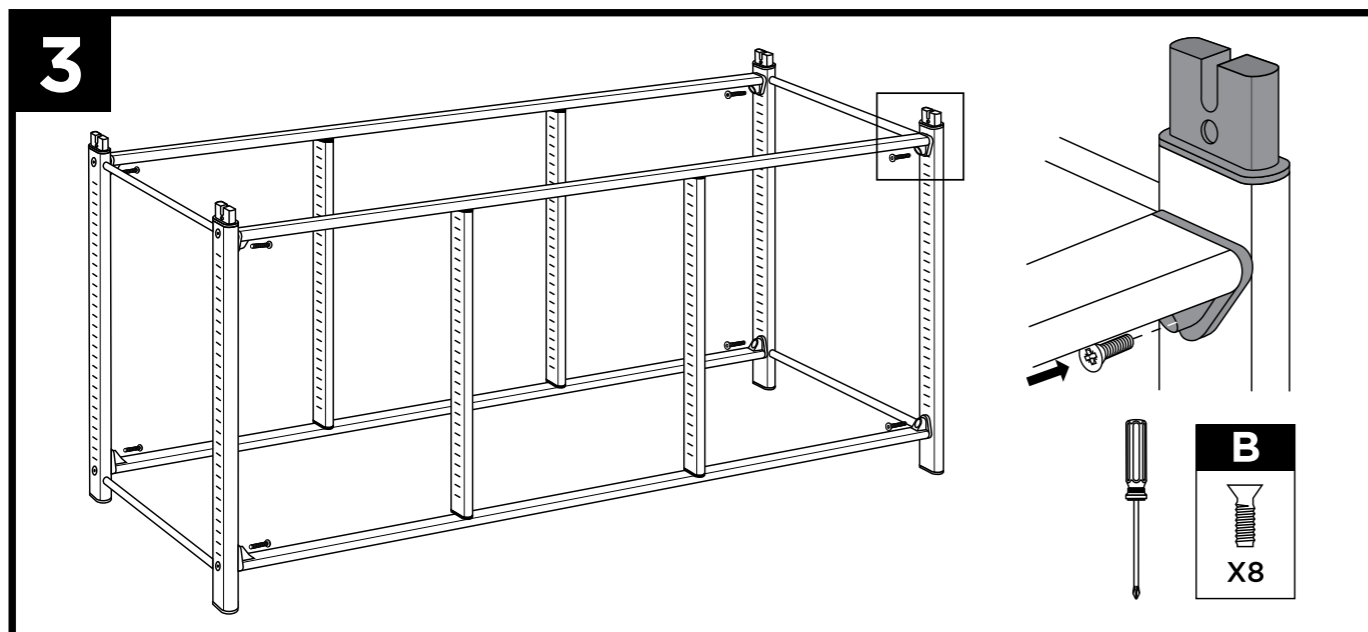
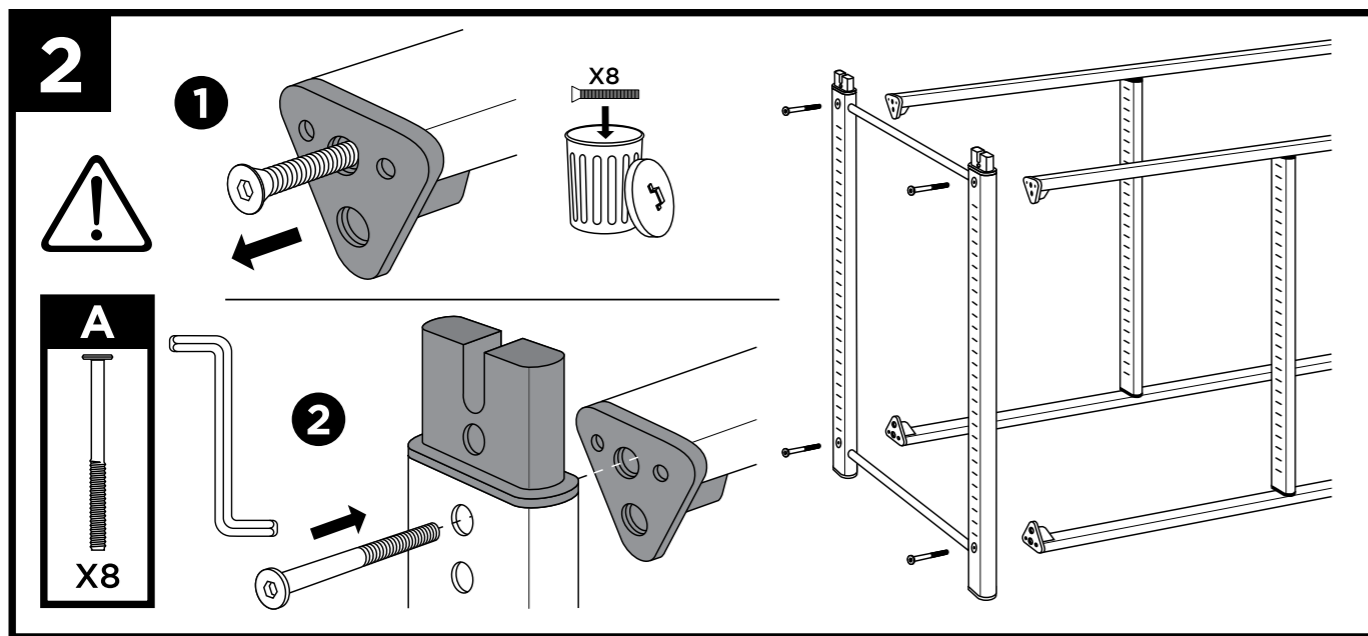
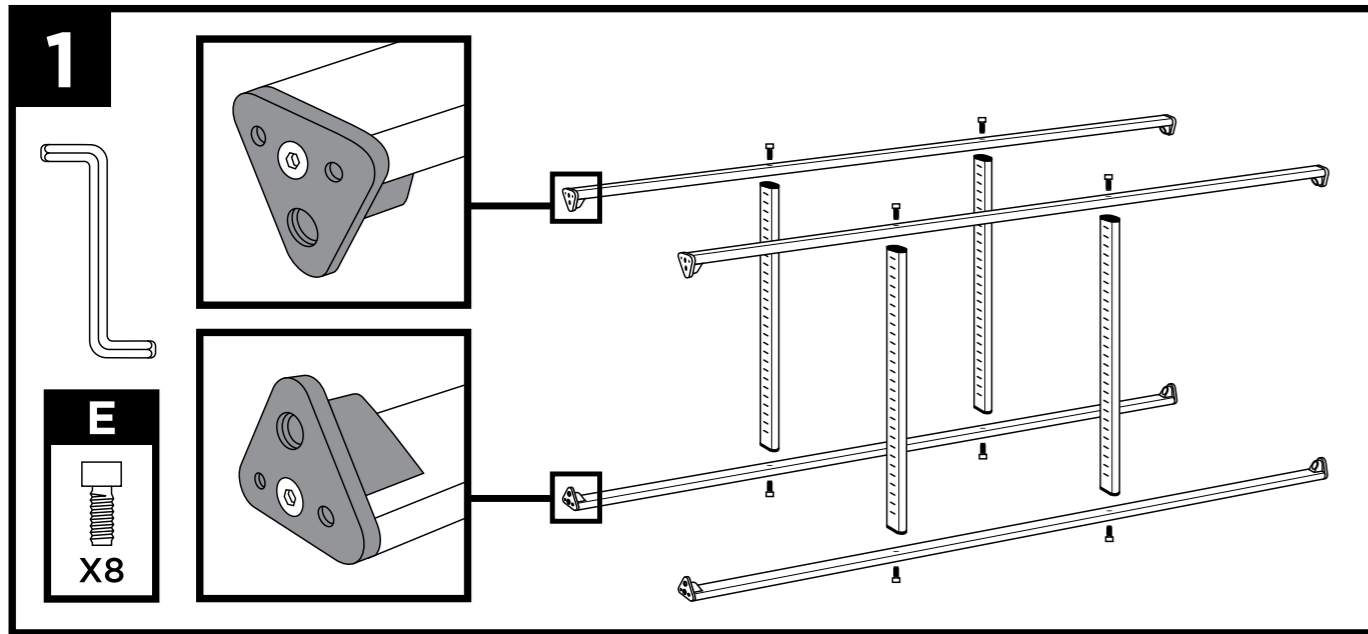




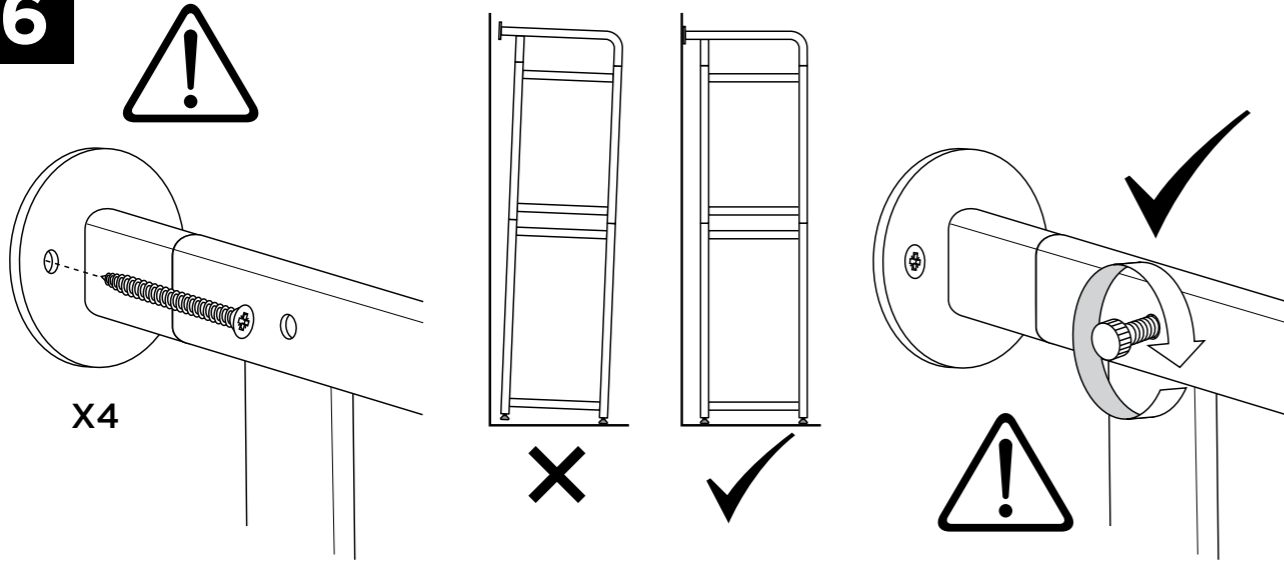
12 Tray Extension Unit

Dimensions: 450(H) x 1025(W) x 430mm(D).





6



X4

Warning!

Wall brackets must be fixed to a suitable load-bearing wall.

Warnung!

Wandhalterung muss an eine geeignete tragenden Wand befestigt werden.

Attention!

Les fixations murales doivent être fixés à un mur porteur approprié.

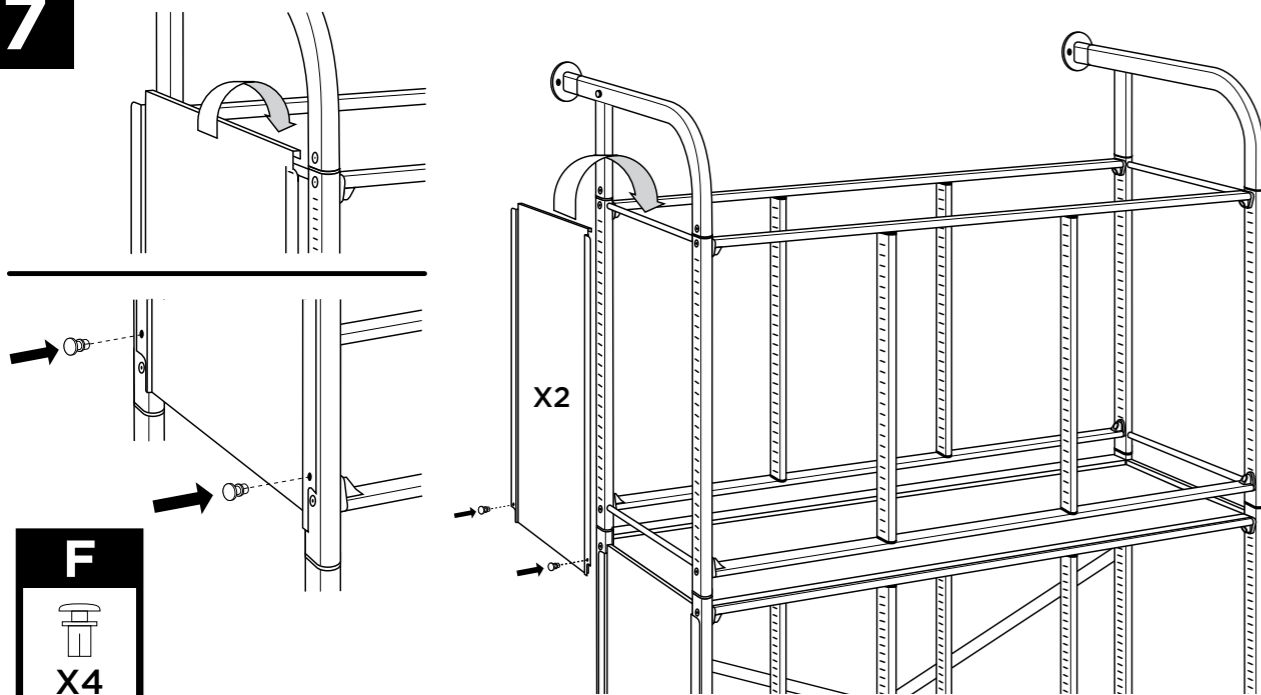
¡Advertencia!

Soportes de pared deben fijarse a un muro de carga adecuados.

Attenzione!

Staffe a muro devono essere fissati ad una parete adatta portante.

7

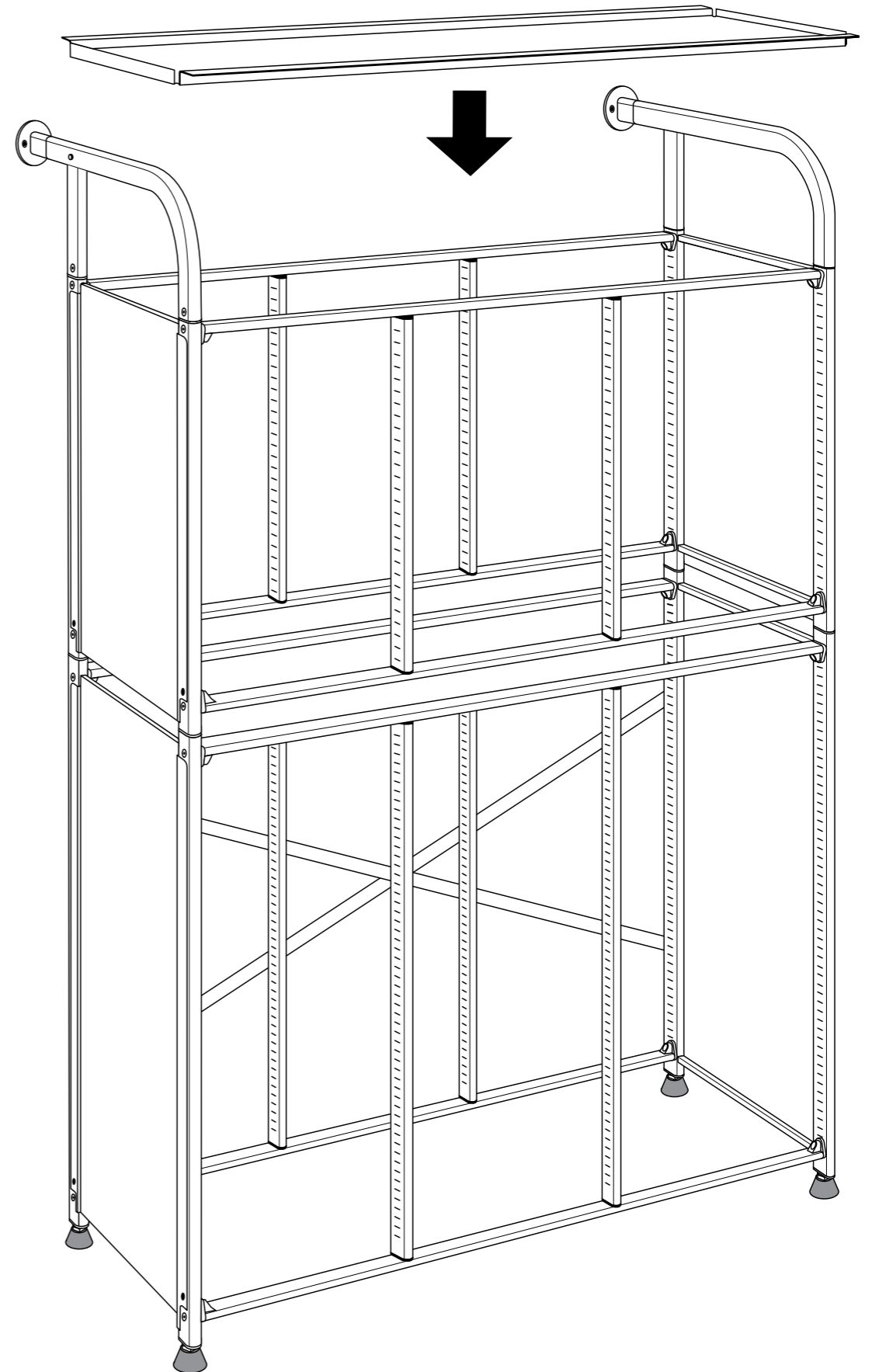


X2

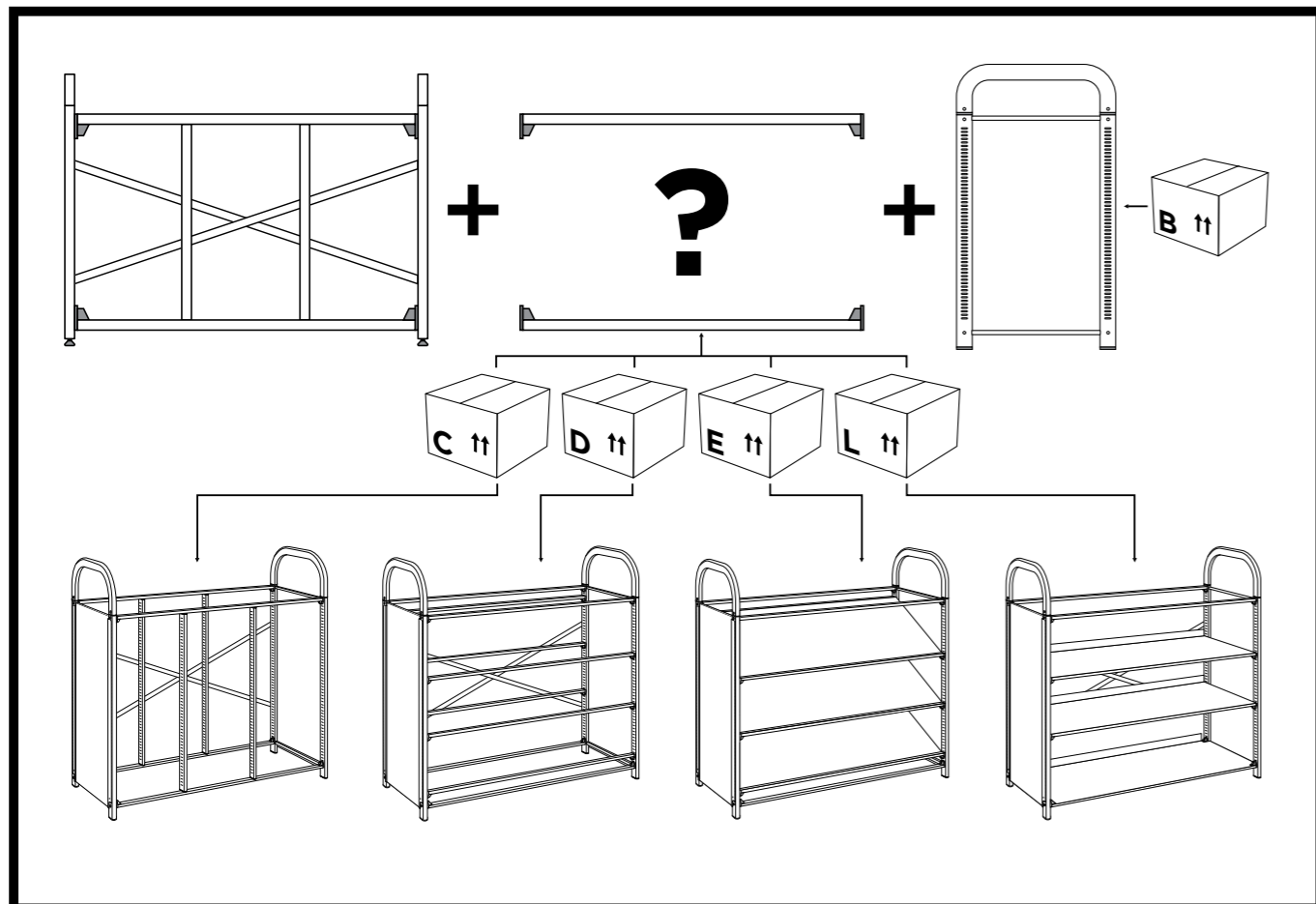
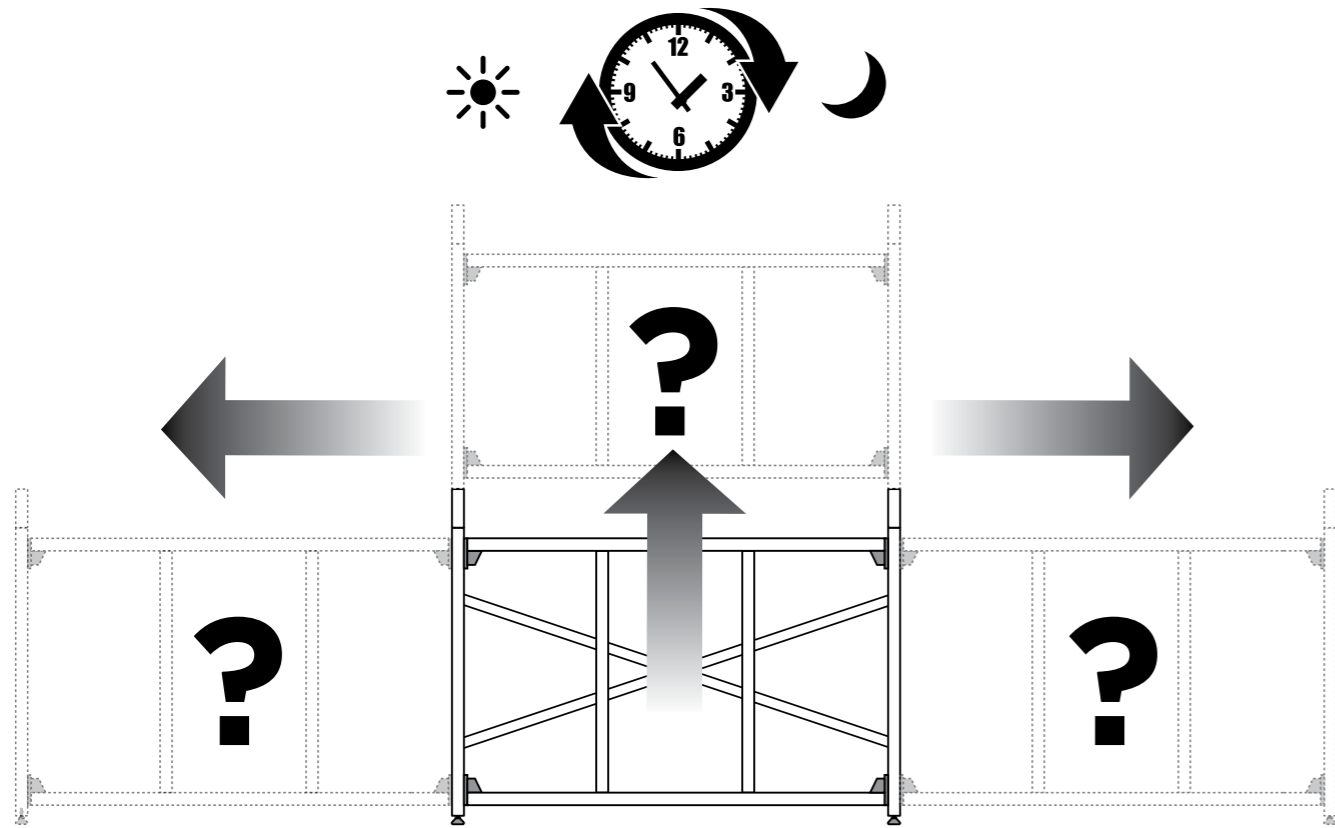
F

X4

8



HOW TO EXPAND THE SYSTEM



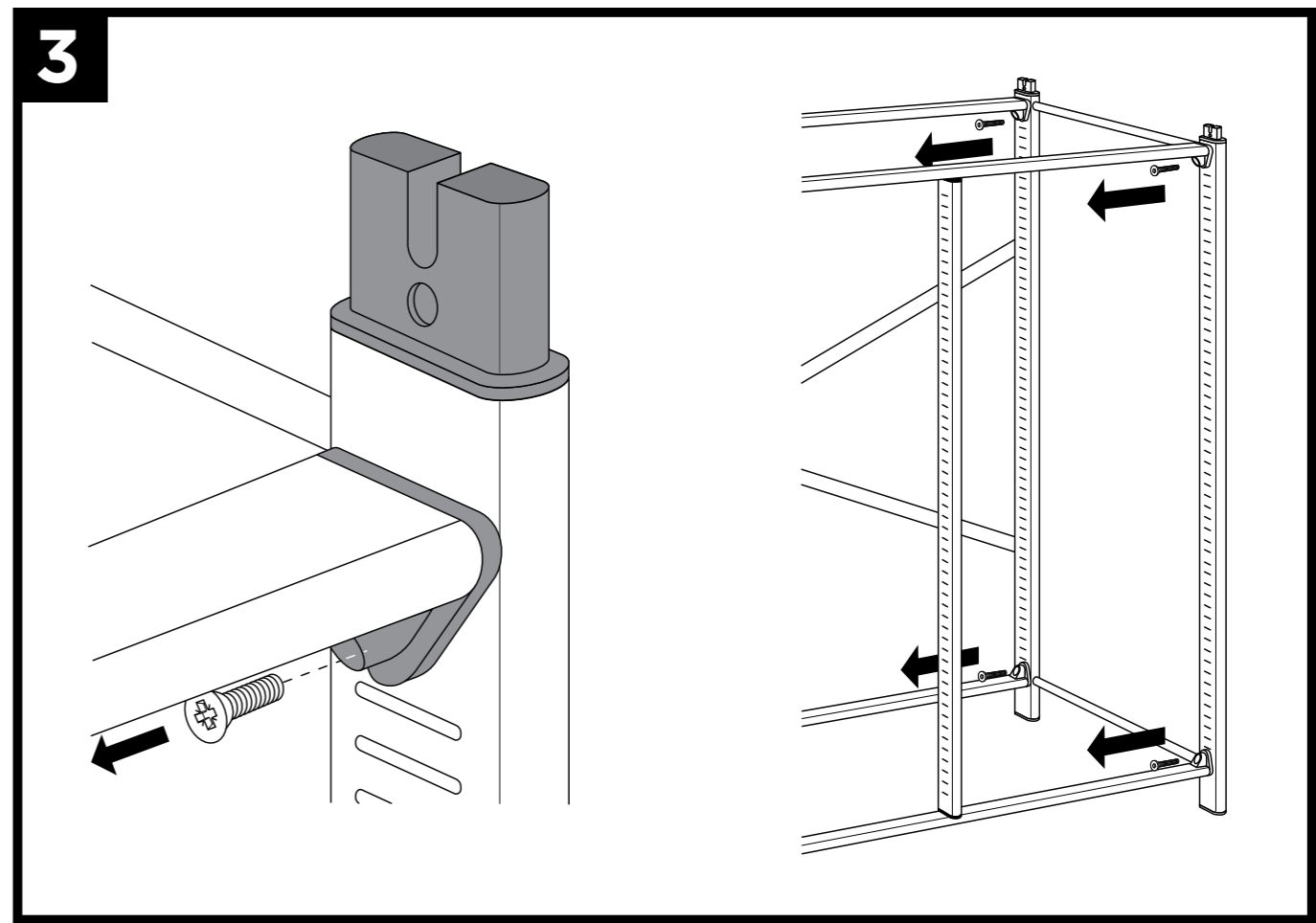
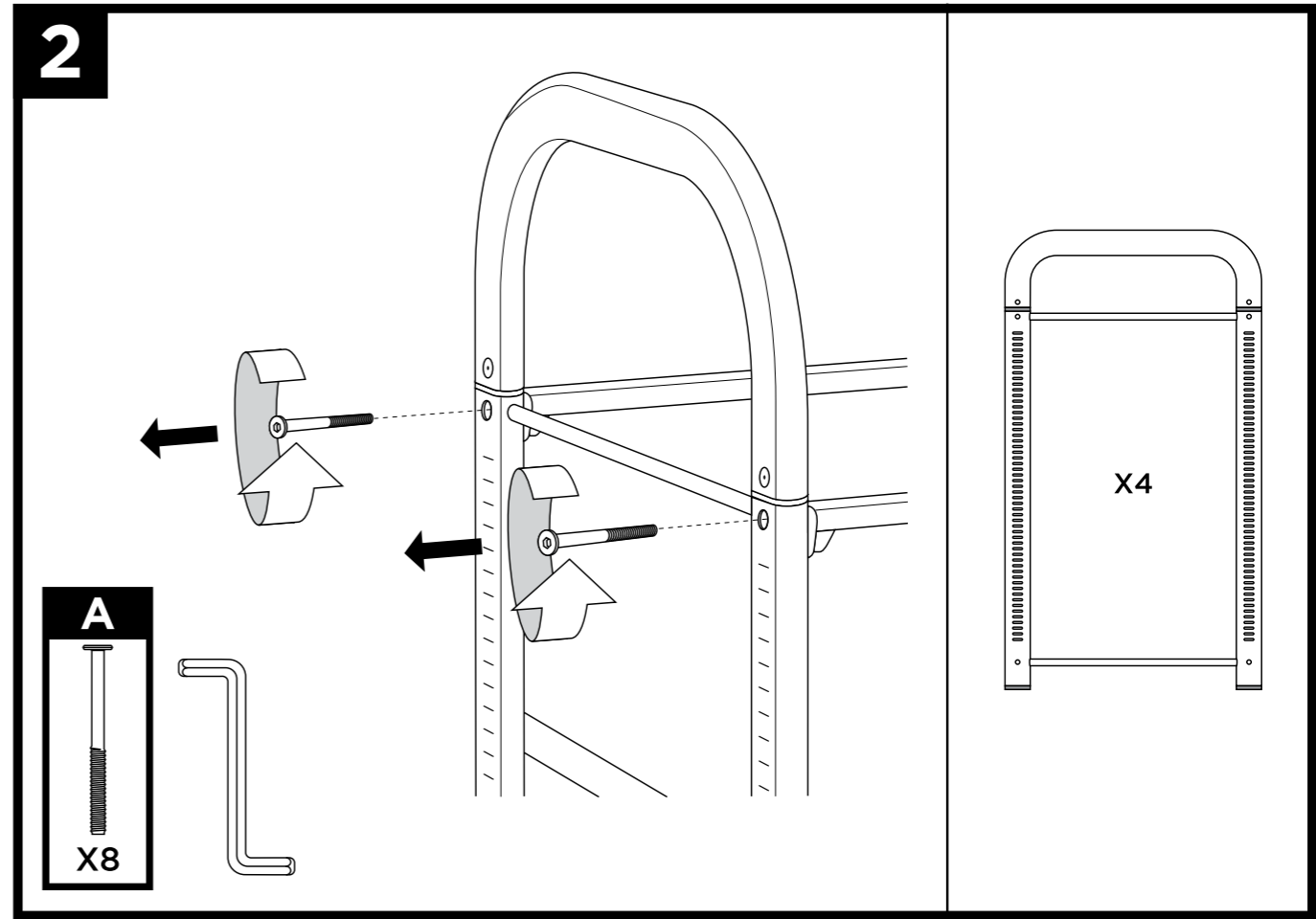
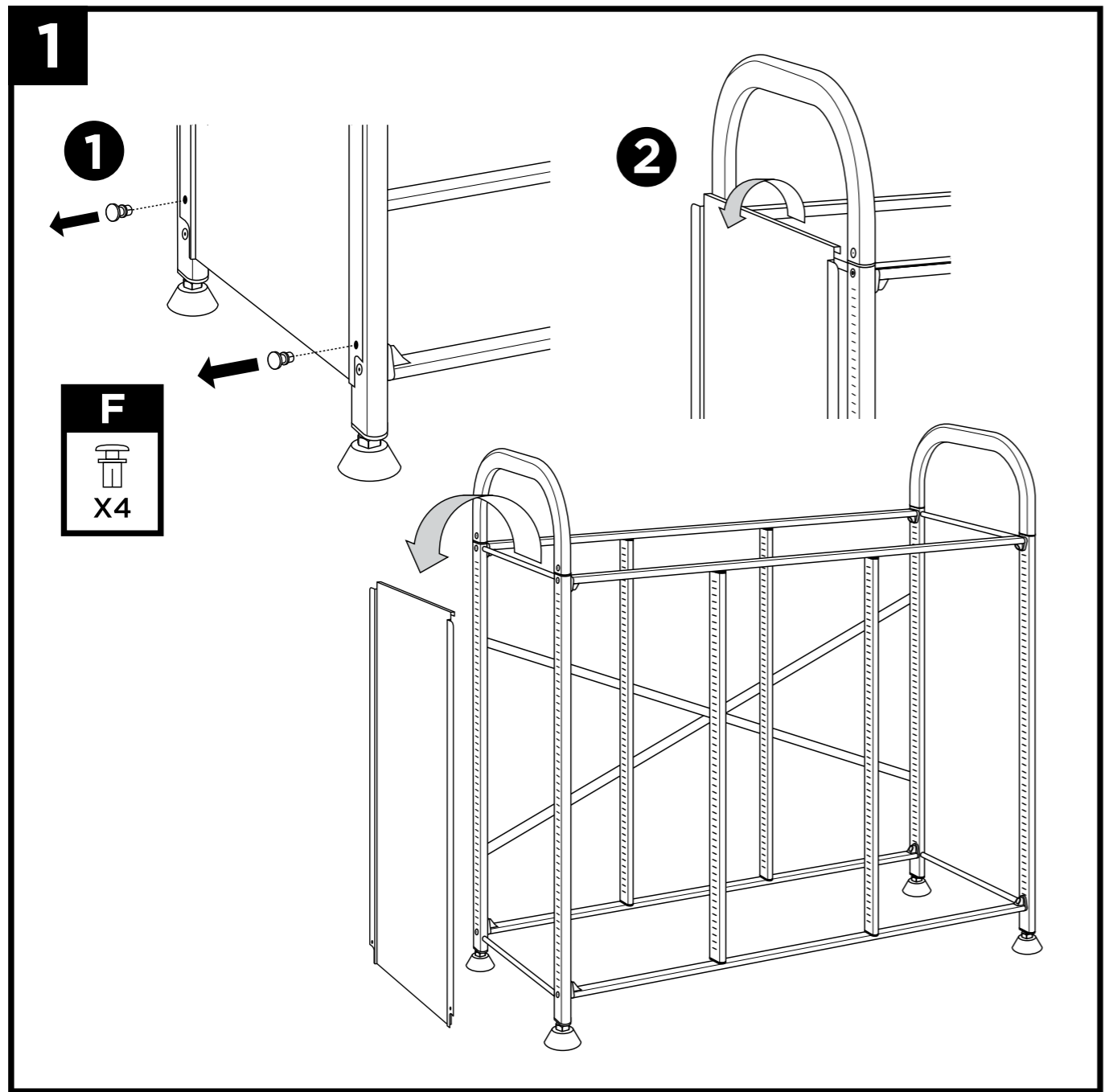
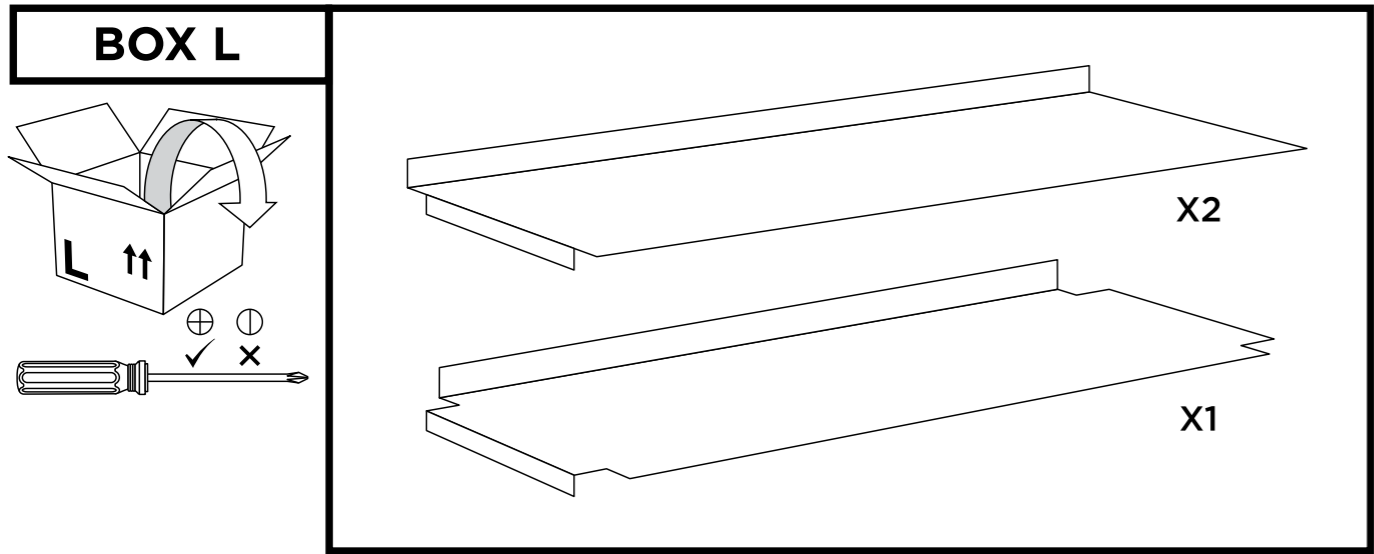
BOX B

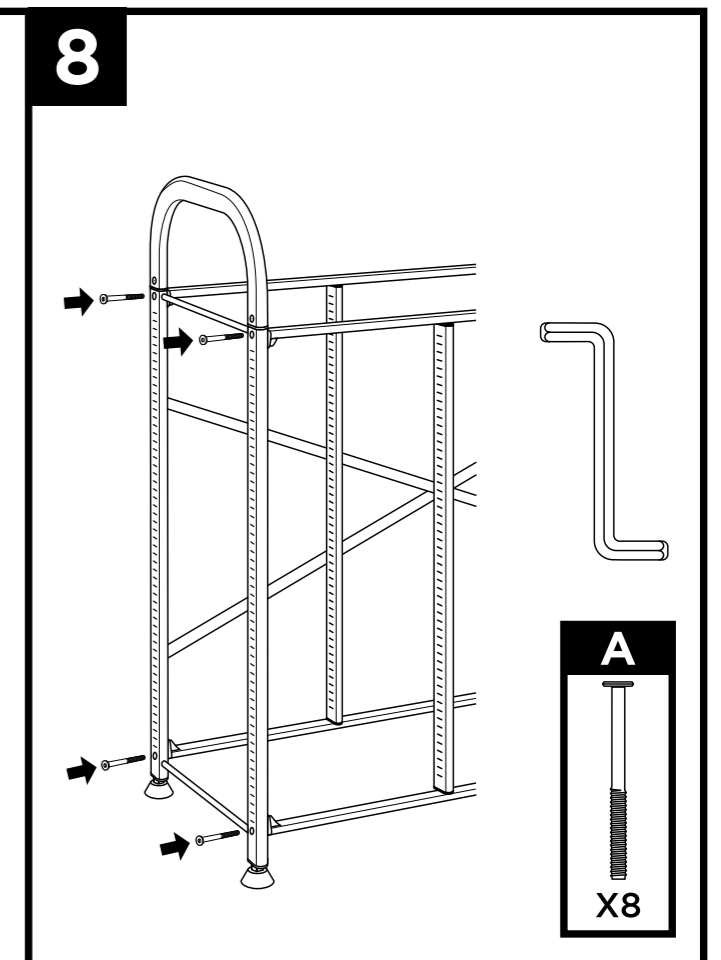
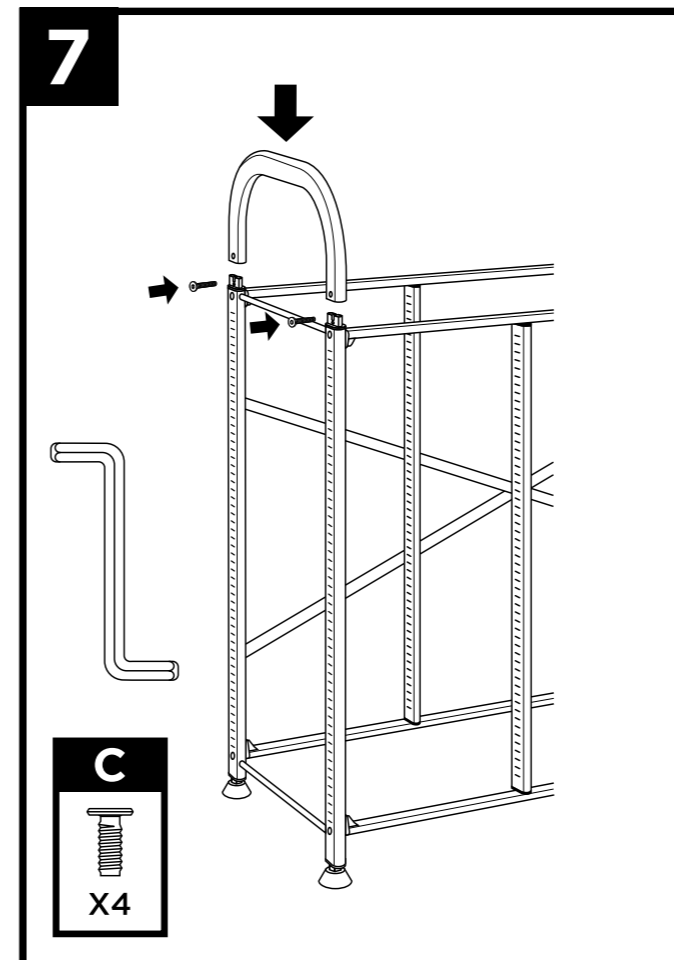
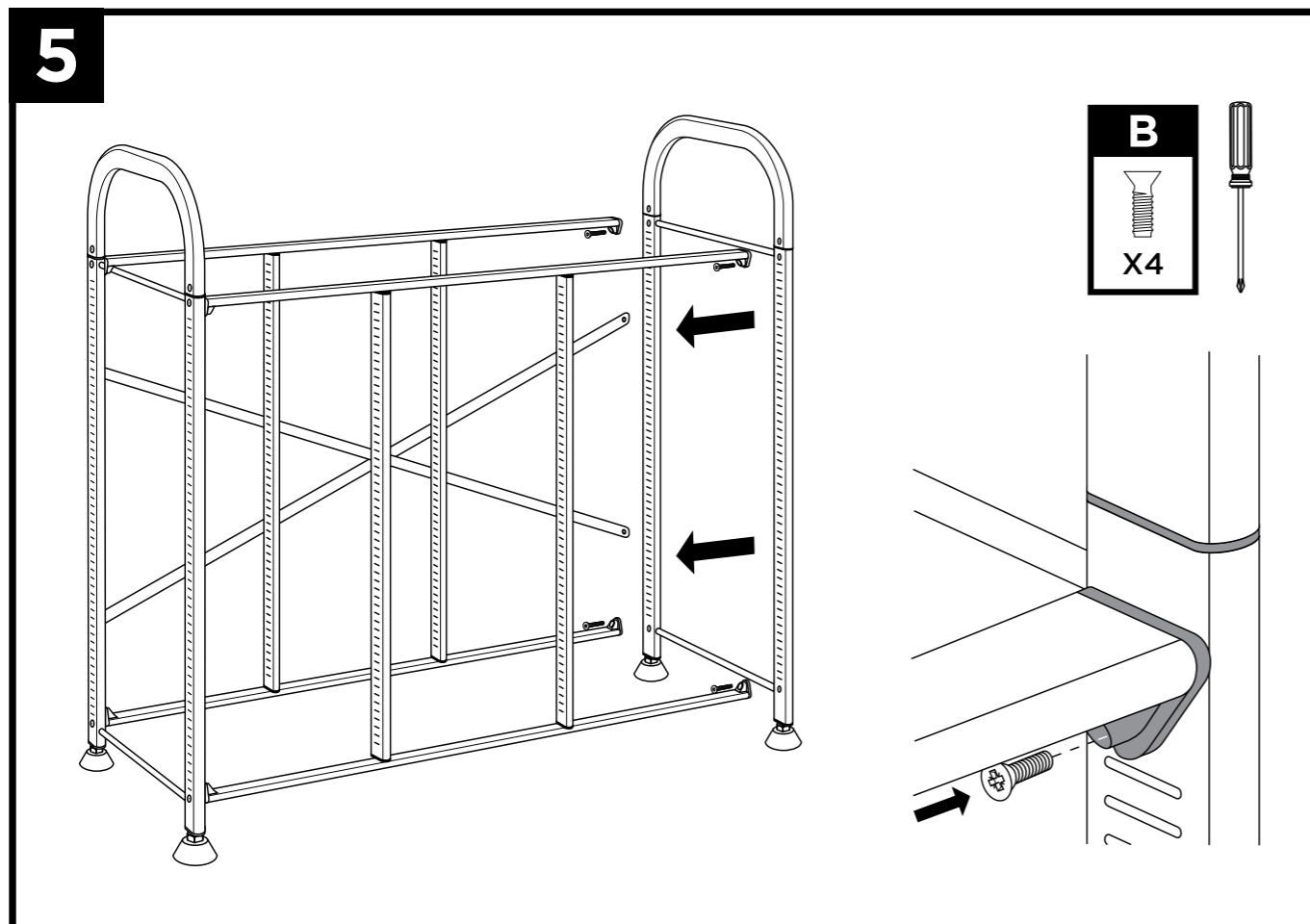
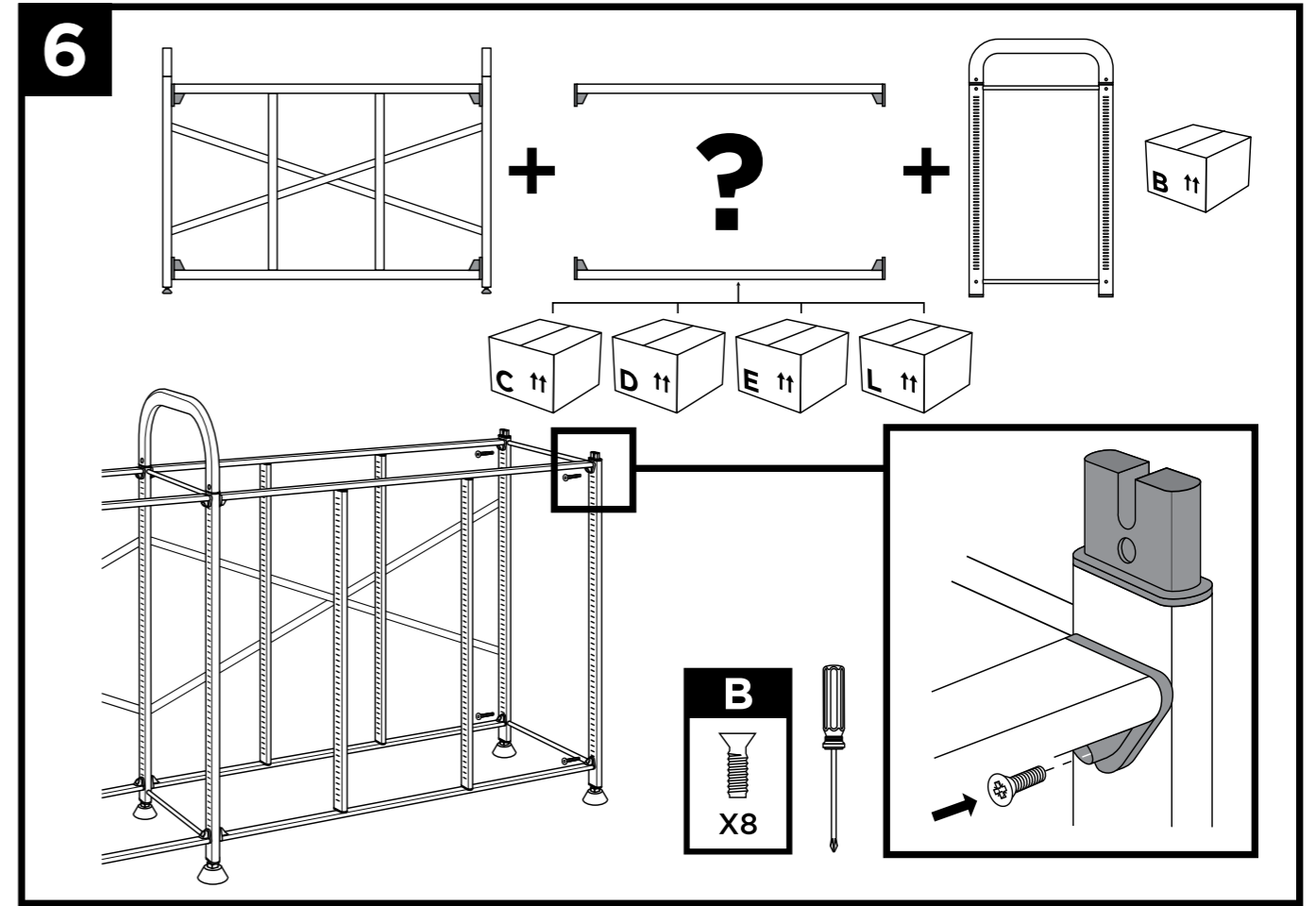
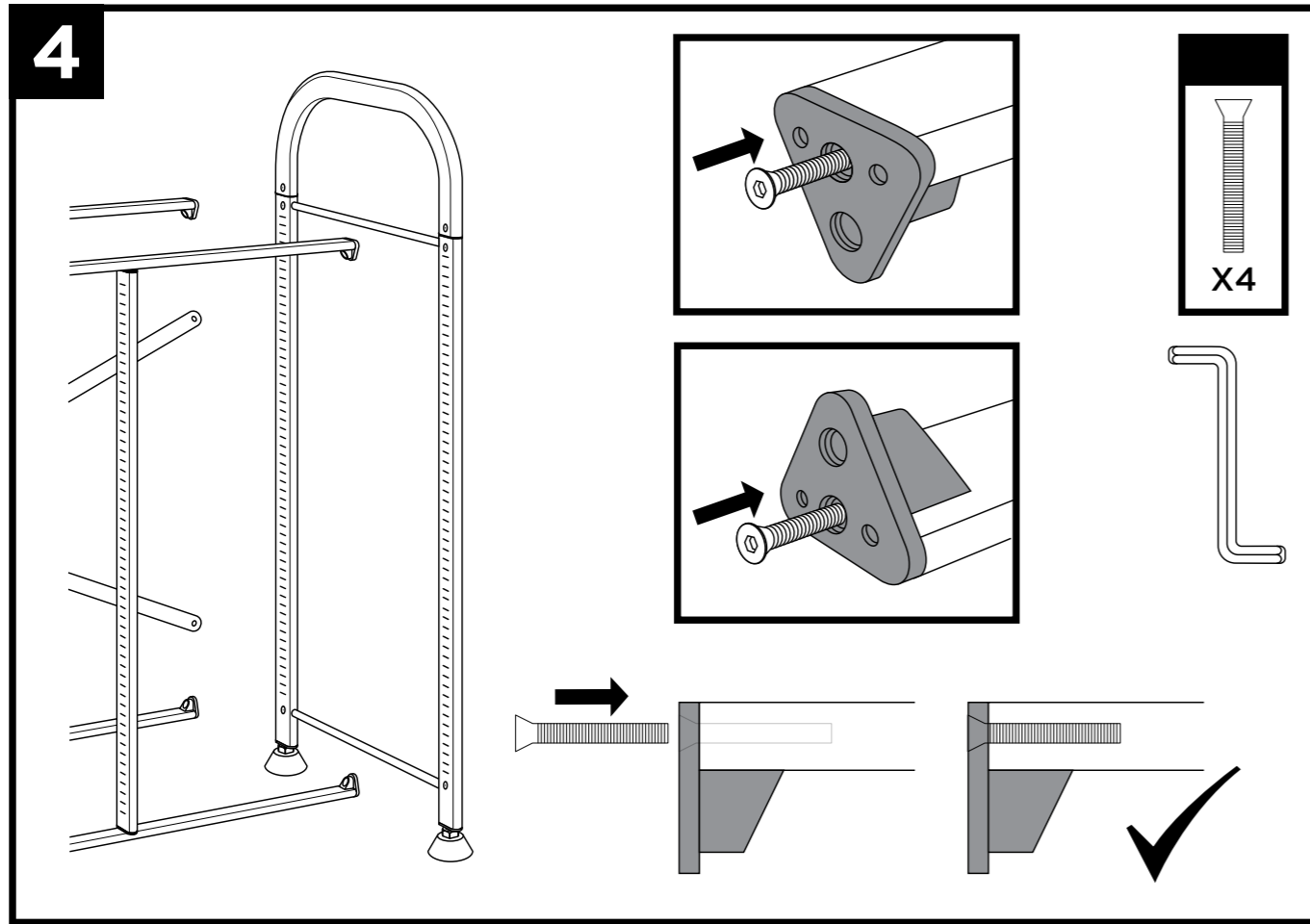
BOX C

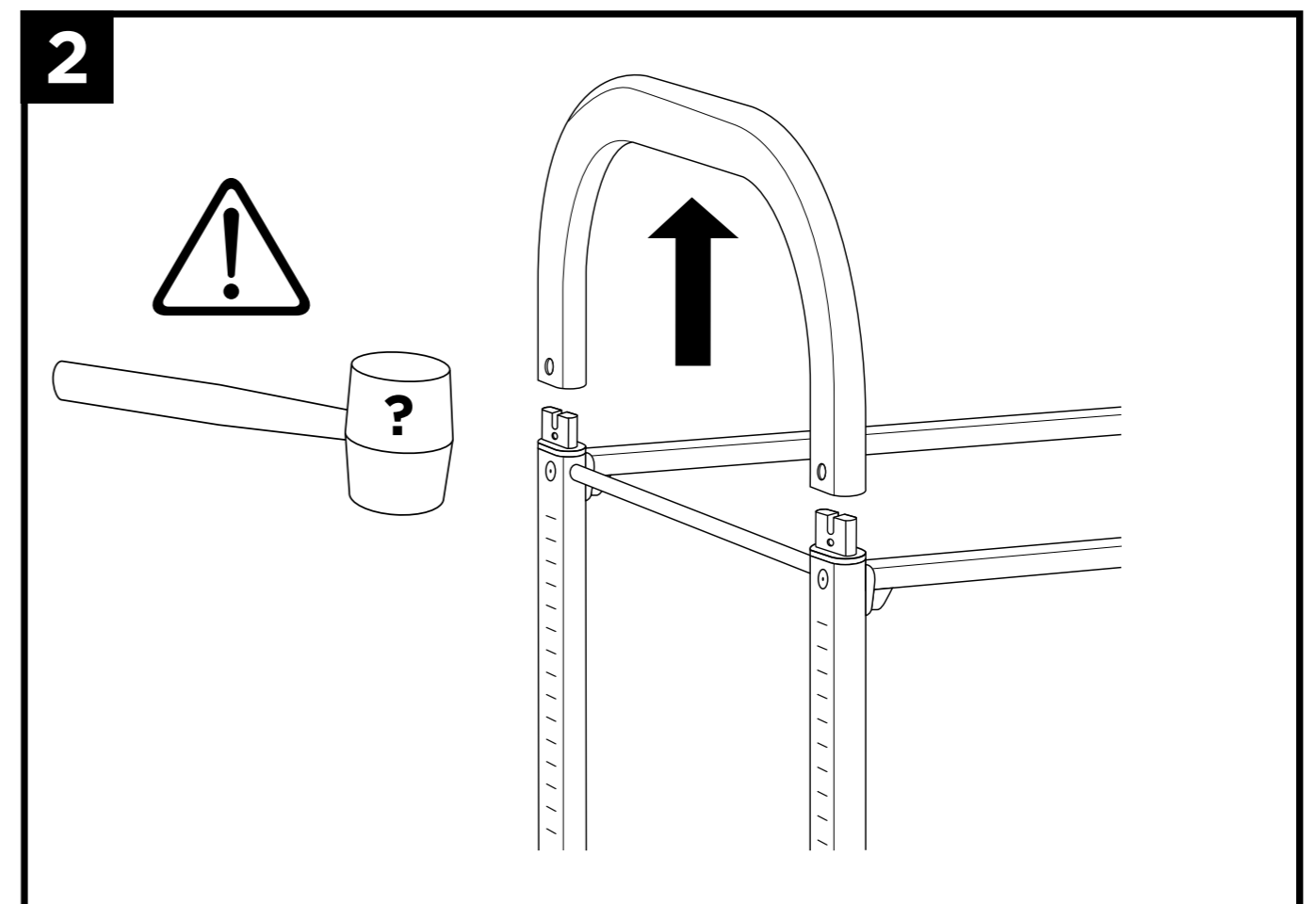
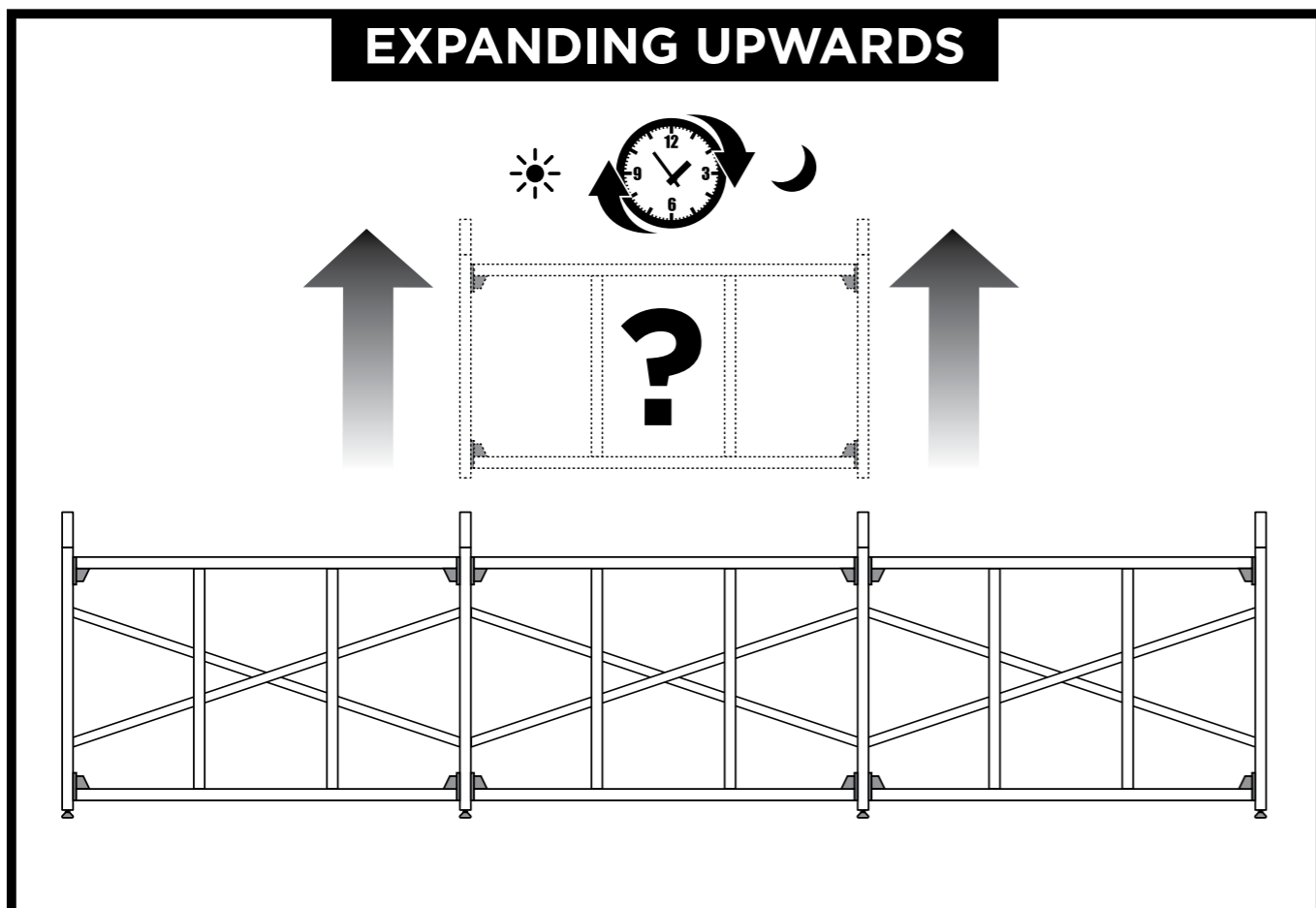
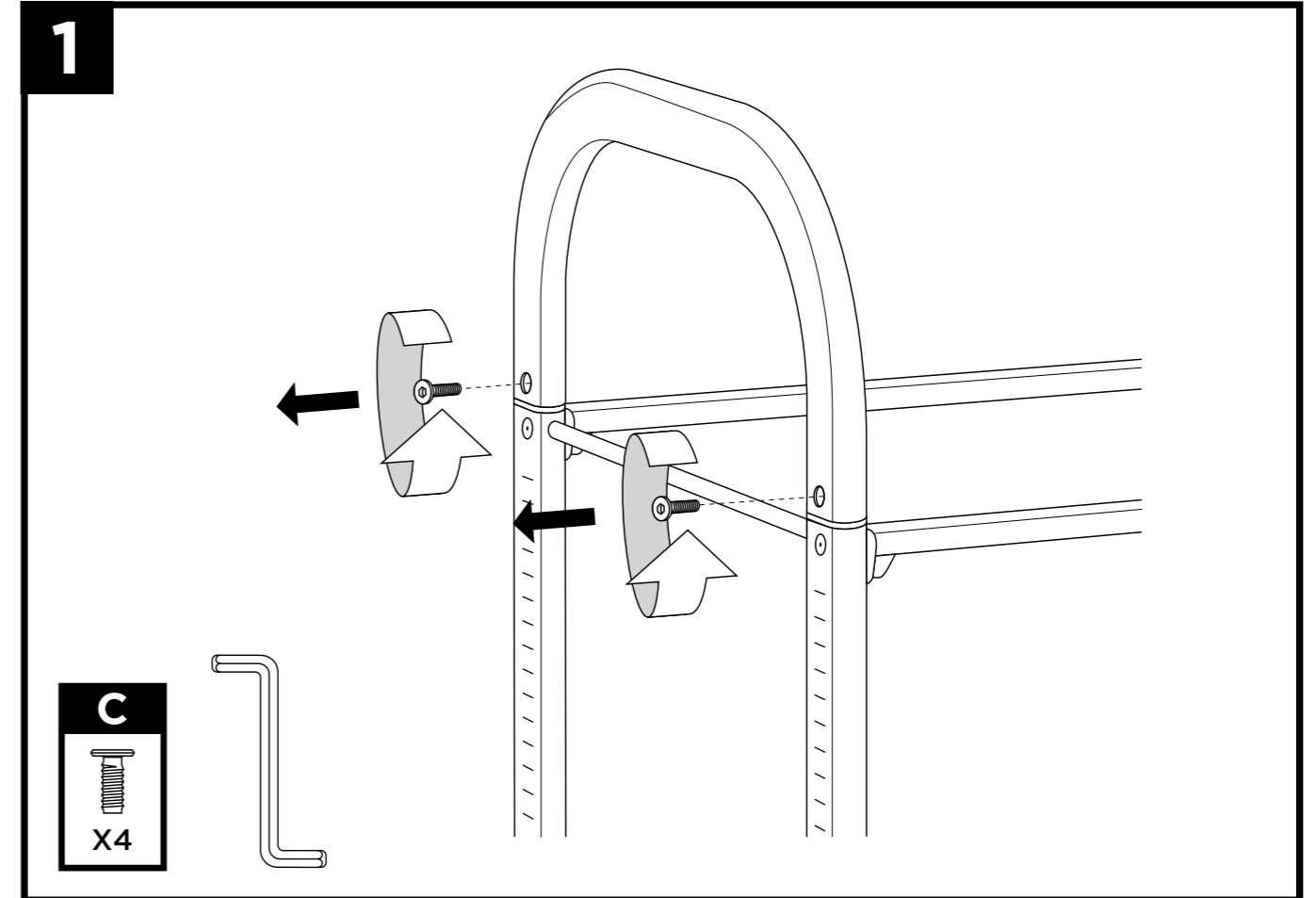
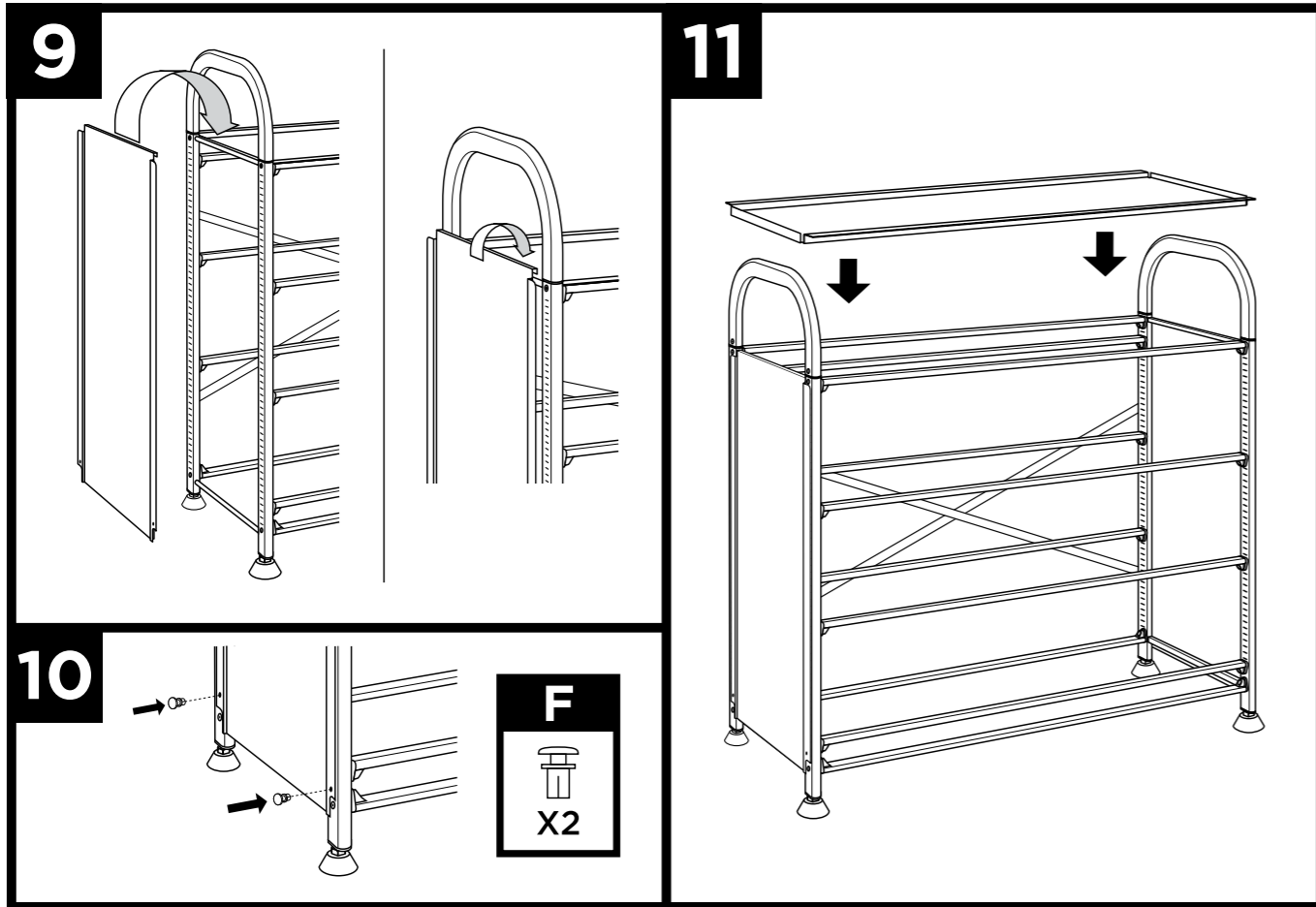
BOX D

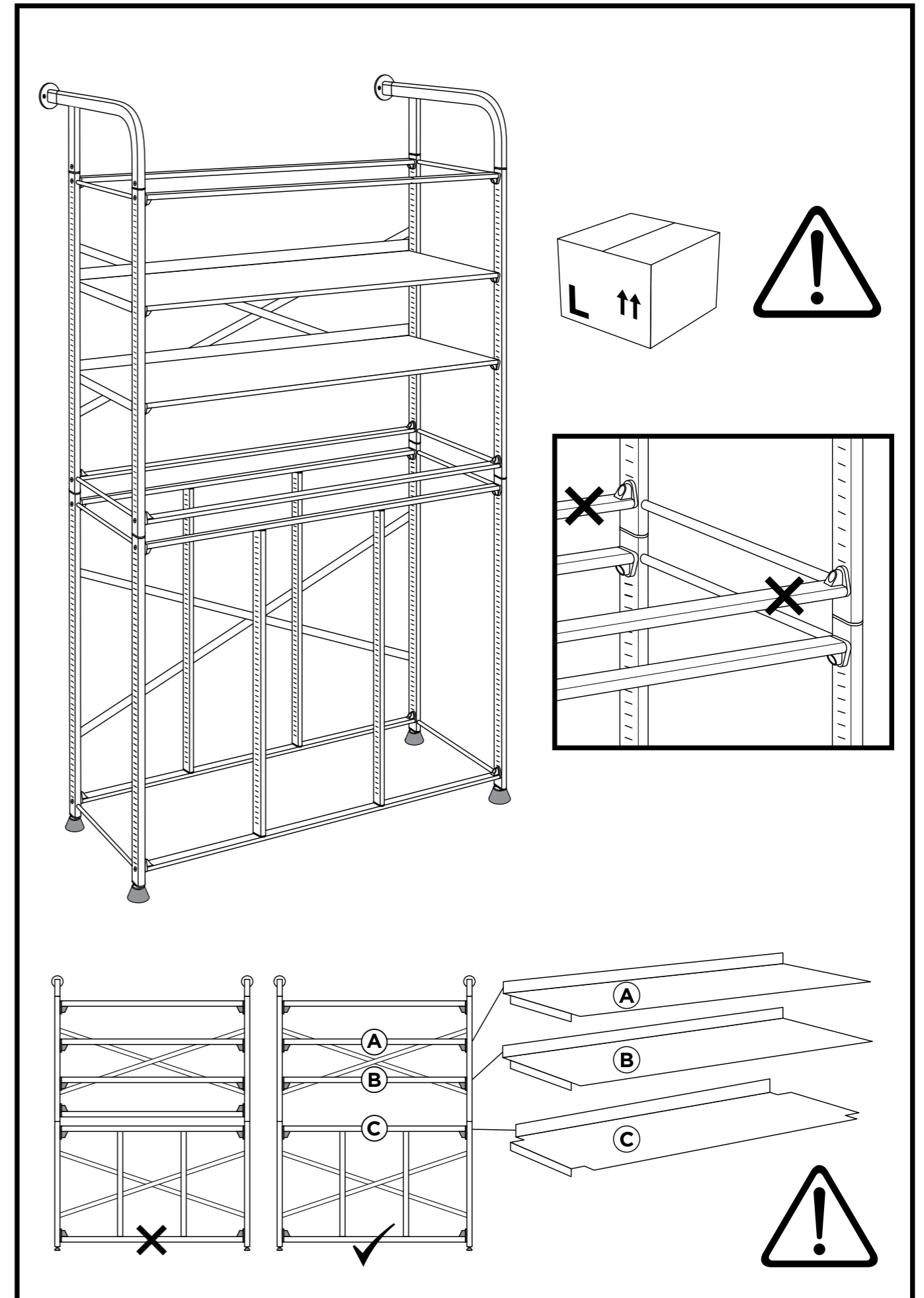
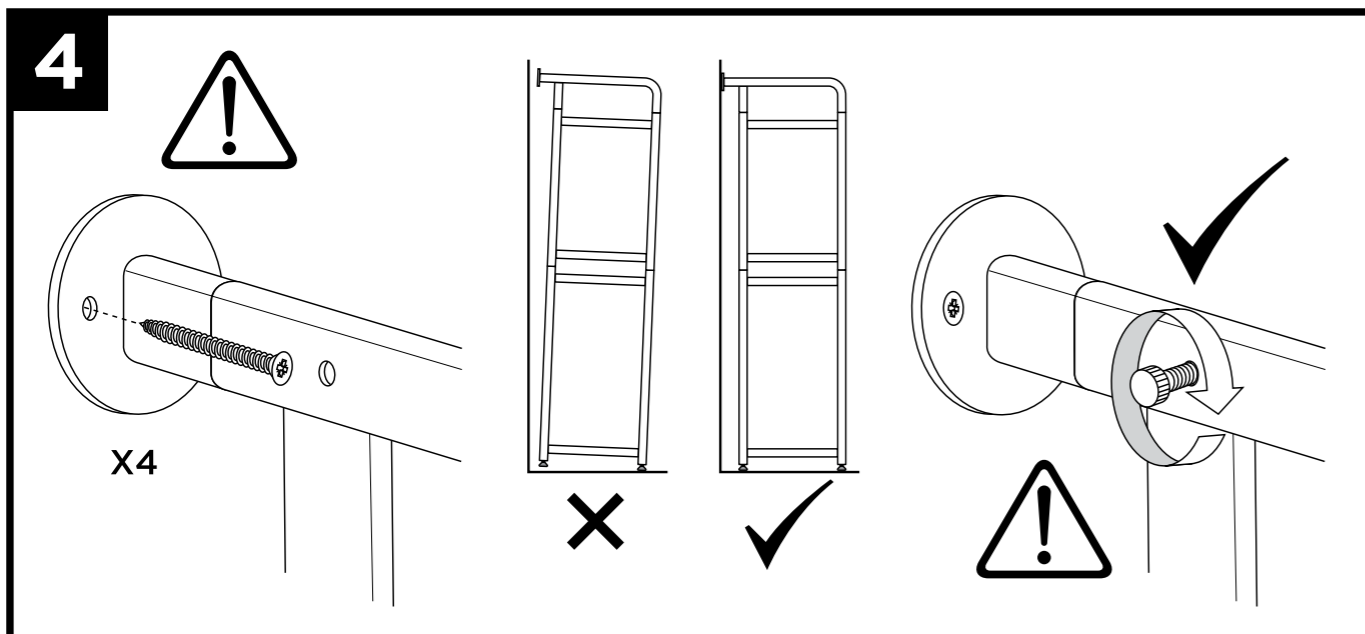
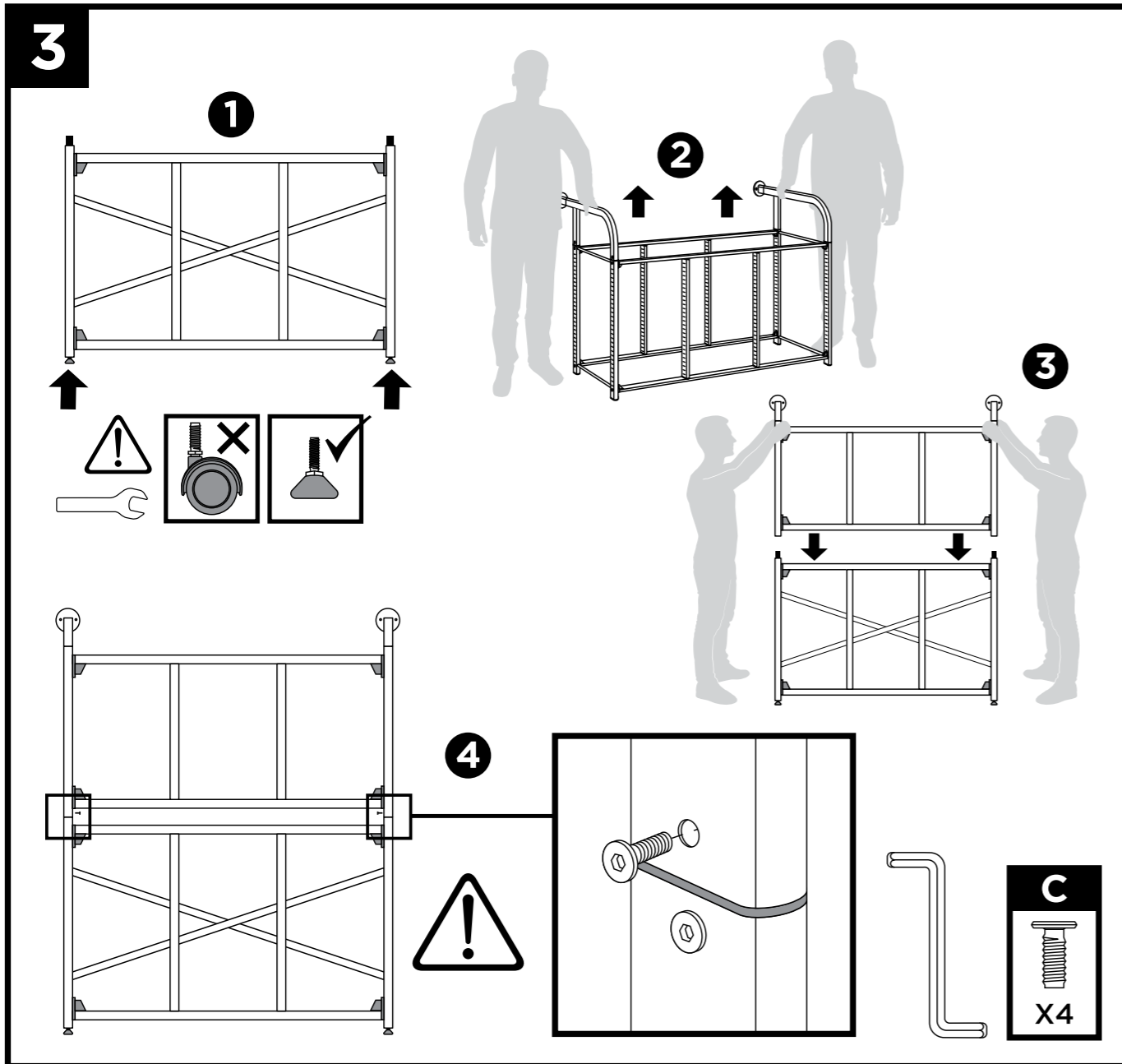
BOX E







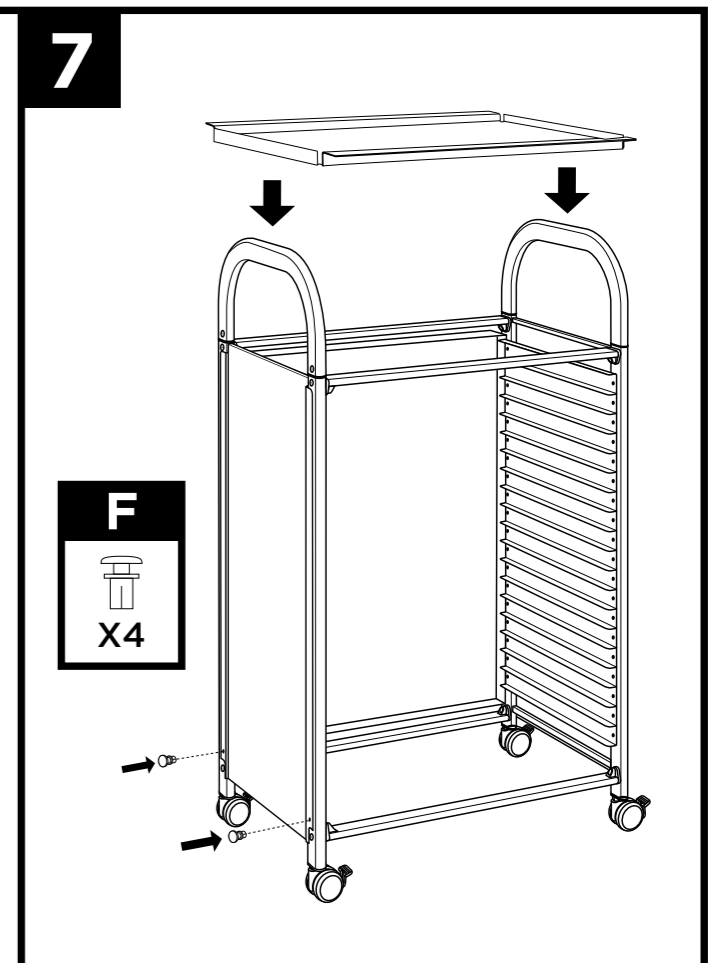
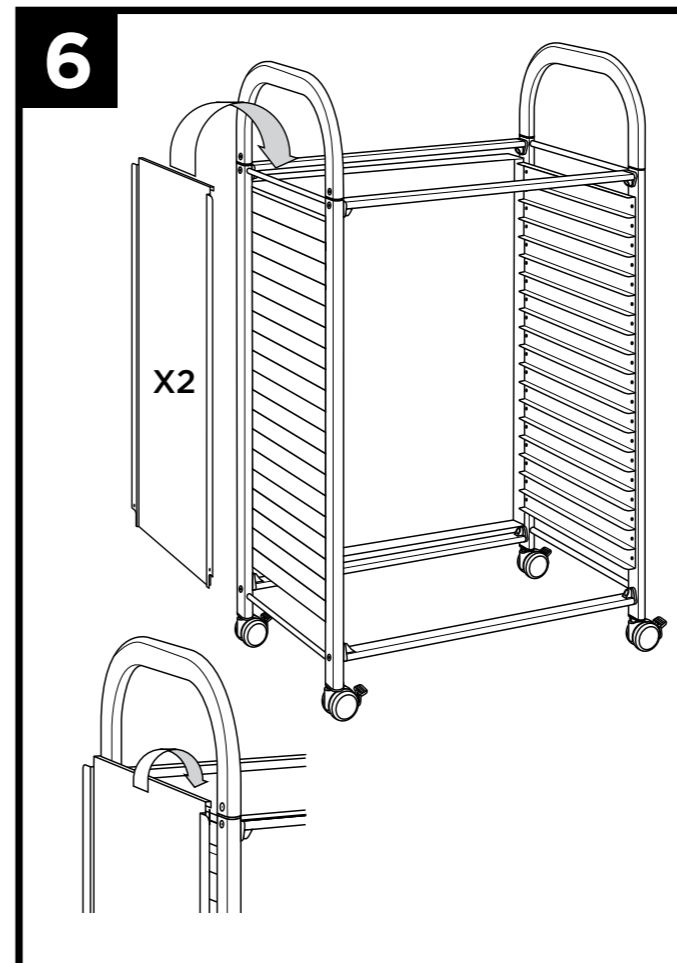
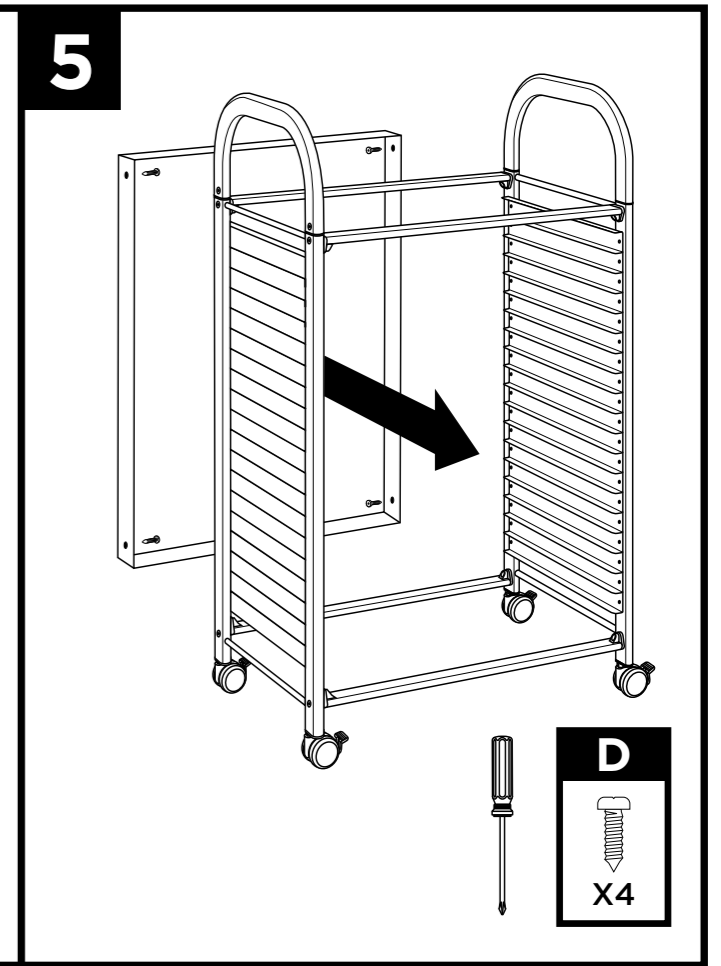
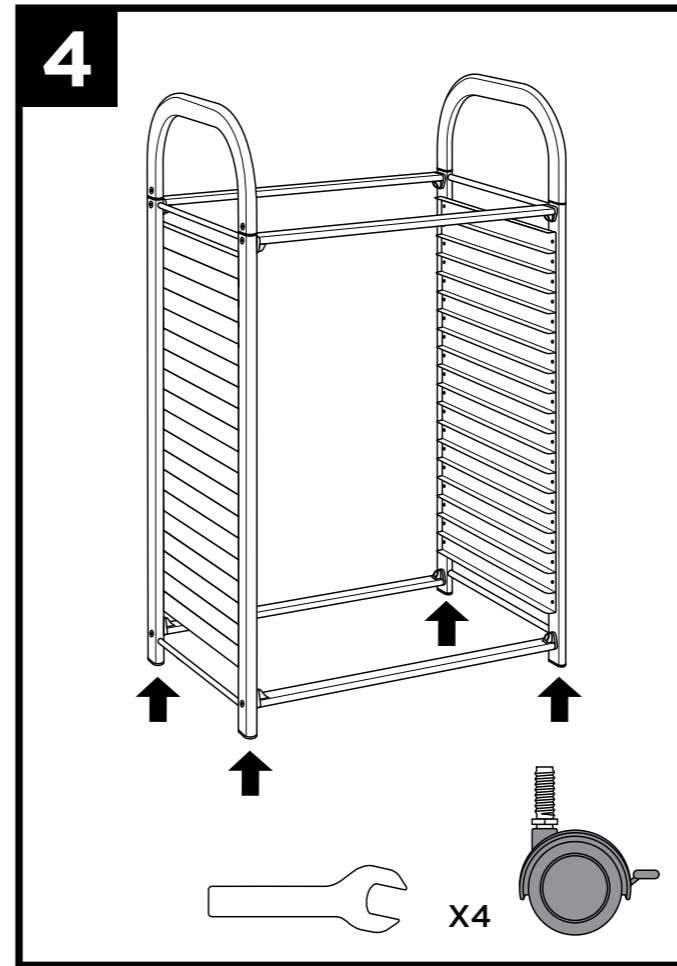
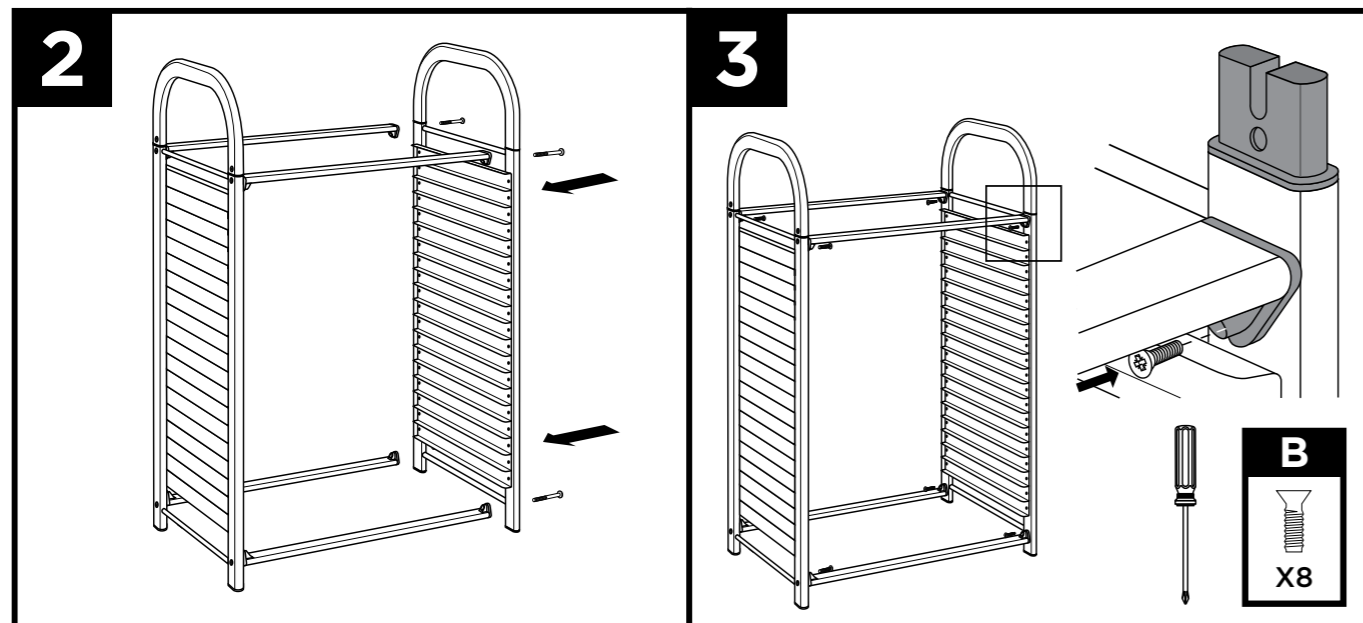
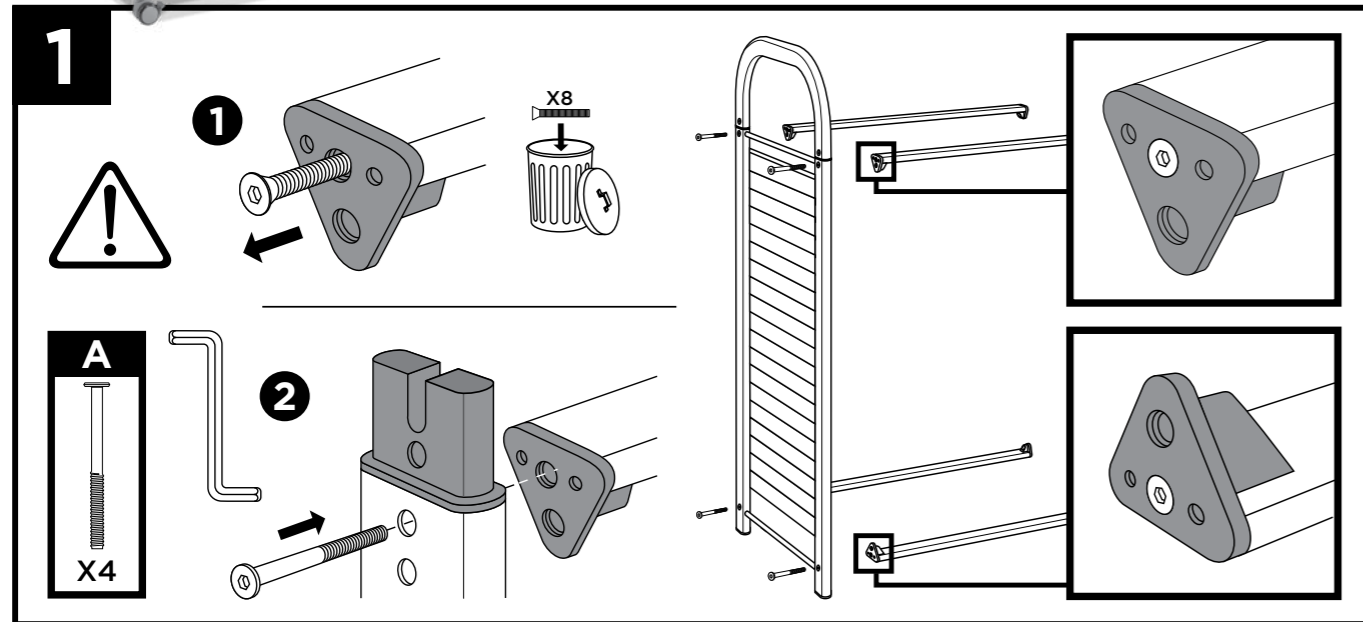
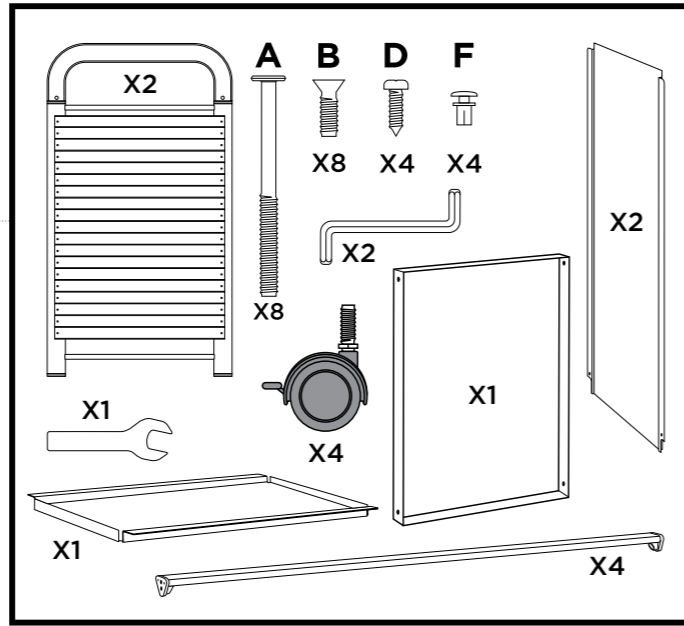
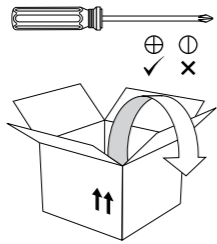






Art Trolley

Dimensions: 945(H) x 565(W) x 500mm(D).





A3 Paper Trolley

Dimensions: 945(H) x 500(W) x 500mm(D).

