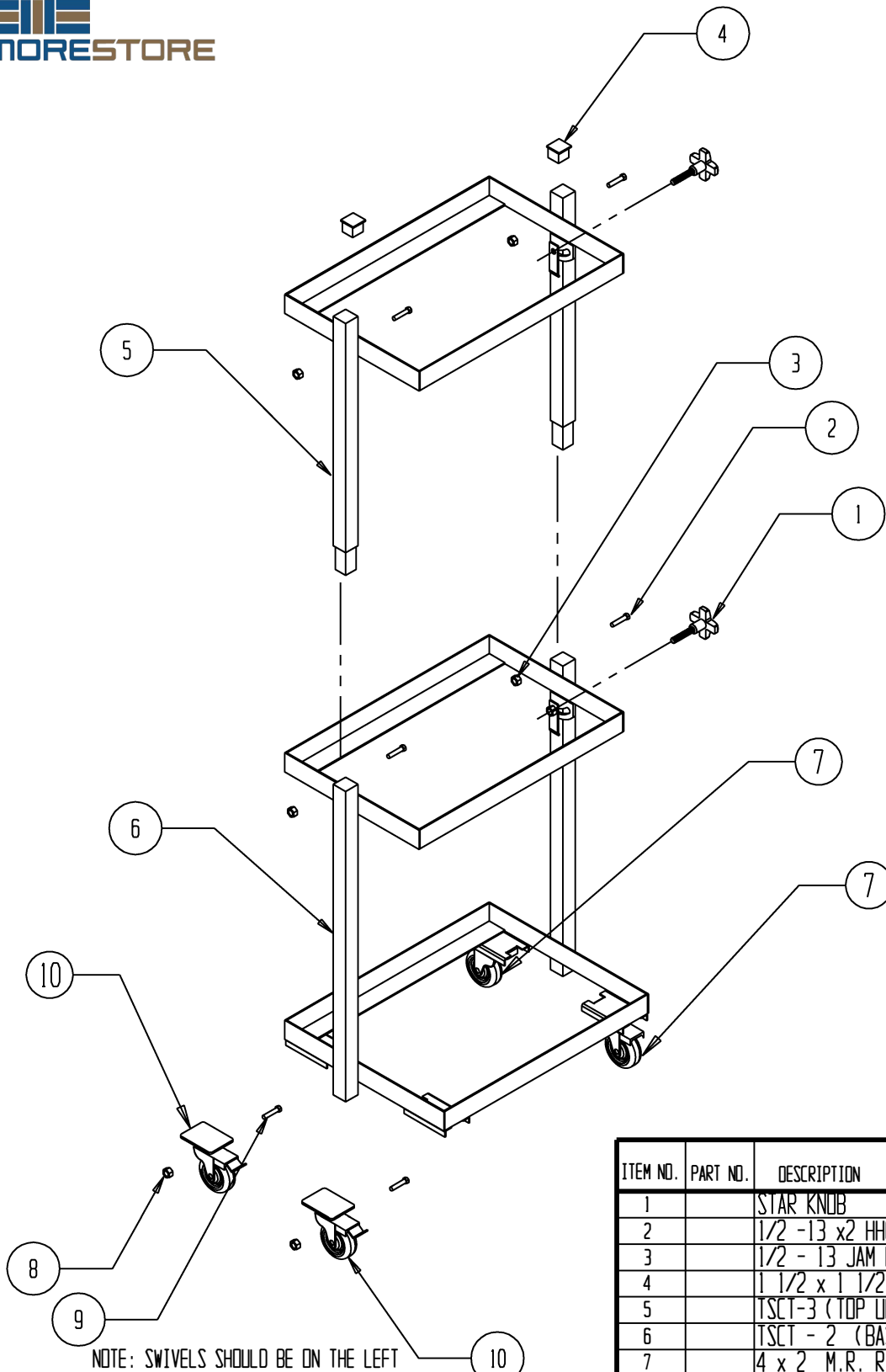


# STOCK PICKING CARTS SMS-46A-TSCT-3



NOTE: SWIVELS SHOULD BE ON THE LEFT SIDE AND RIGIDS ON THE RIGHT SIDE TO REDUCE THE RISK OF THE UNIT FALLING OVER.

ITEM NO.	PART NO.	DESCRIPTION	TY	QTY
1		STAR KNOB	1	2
2		1/2 -13 x2 HHCS	2	4
3		1/2 - 13 JAM NYLOCK	2	4
4		1 1/2 x 1 1/2 PLASTIC CAP	2	2
5		TSCT-3 (TOP UNIT)	0	1
6		TSCT - 2 (BASE UNIT)	1	1
7		4 x 2 M.R. RIGID CASTERS	2	2
8		3/8 -15 NYLOCK NUT	4	4
9		3/8 -15 x 5 CARRIAGE BOLT	4	4
10		4 x 2 M.R. SWIVEL CASTERS	2	2