

Mobile Plan Drawing Organizer - SMS-02-V37-3043

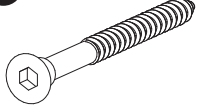


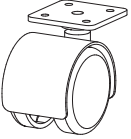

ASSEMBLY INSTRUCTIONS

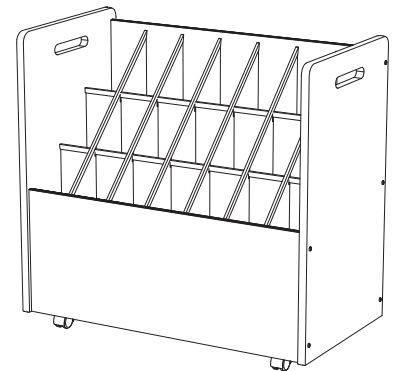
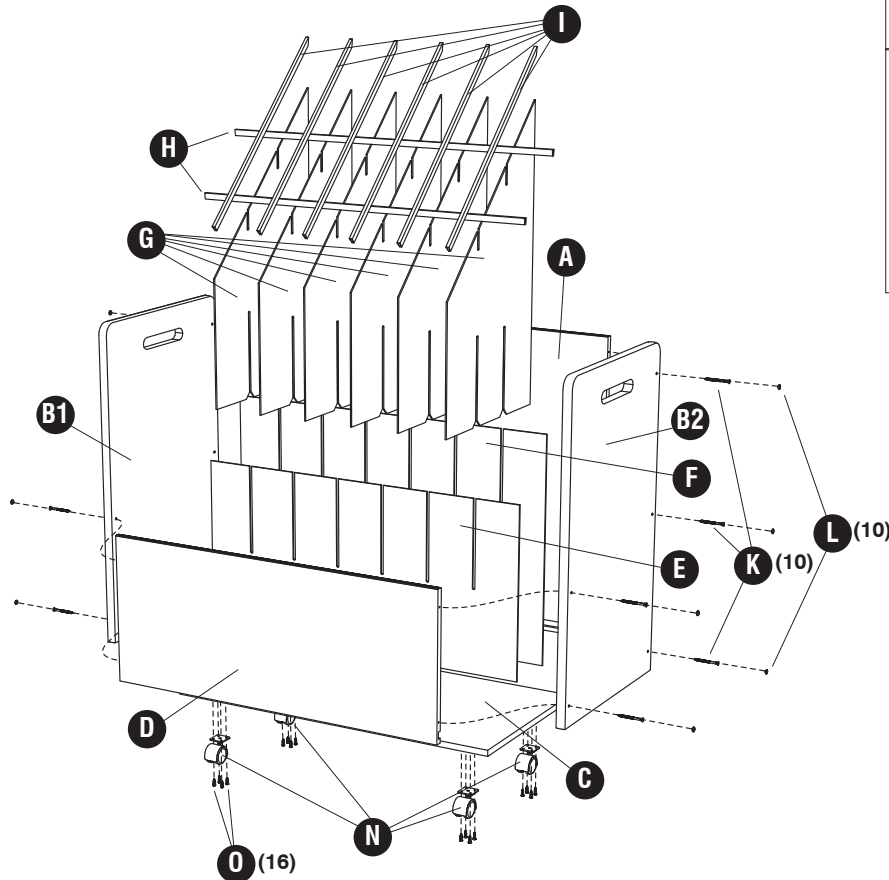
TOOLS REQUIRED: Hammer, Allen Wrench (included)

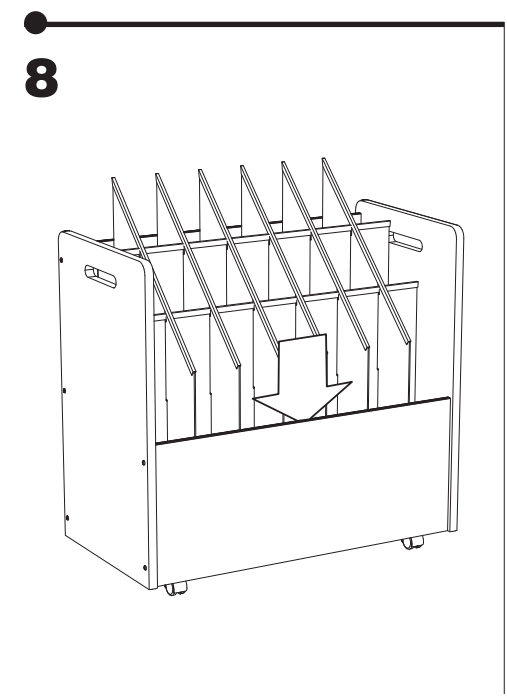
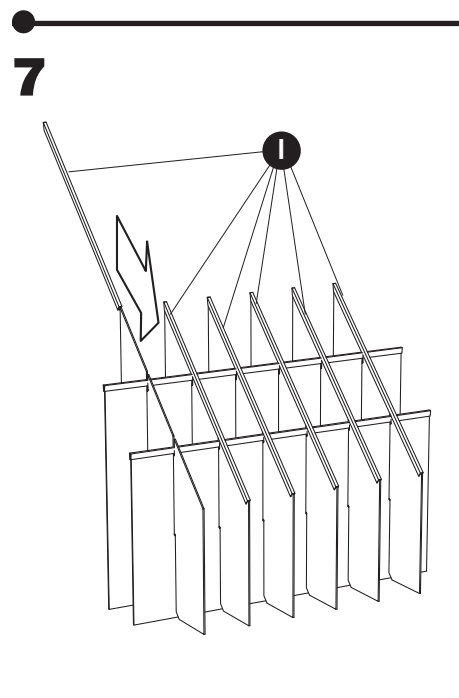
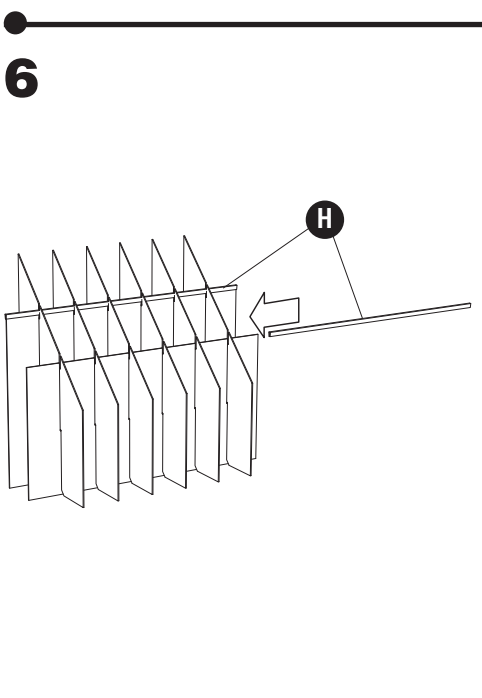
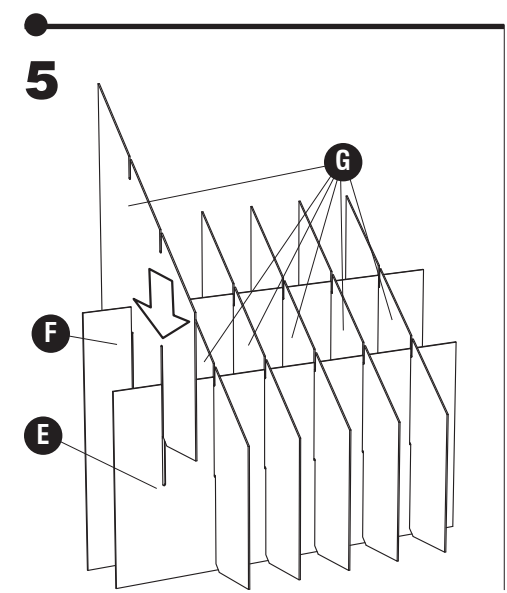
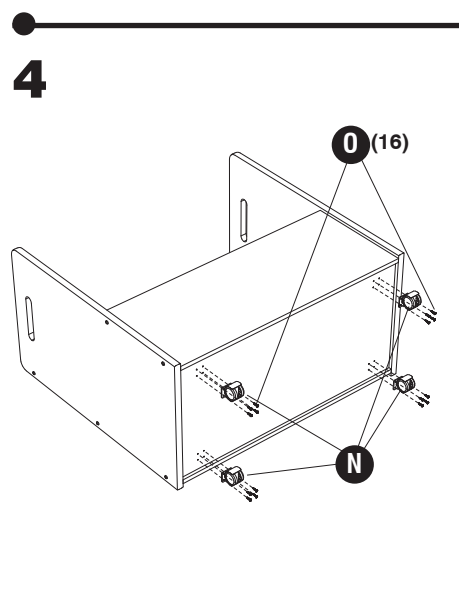
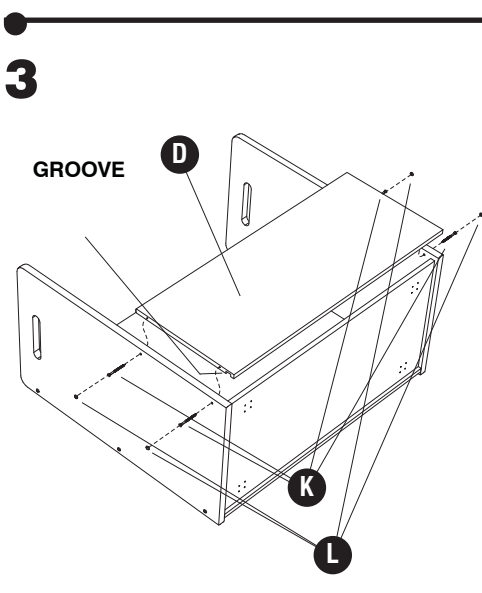
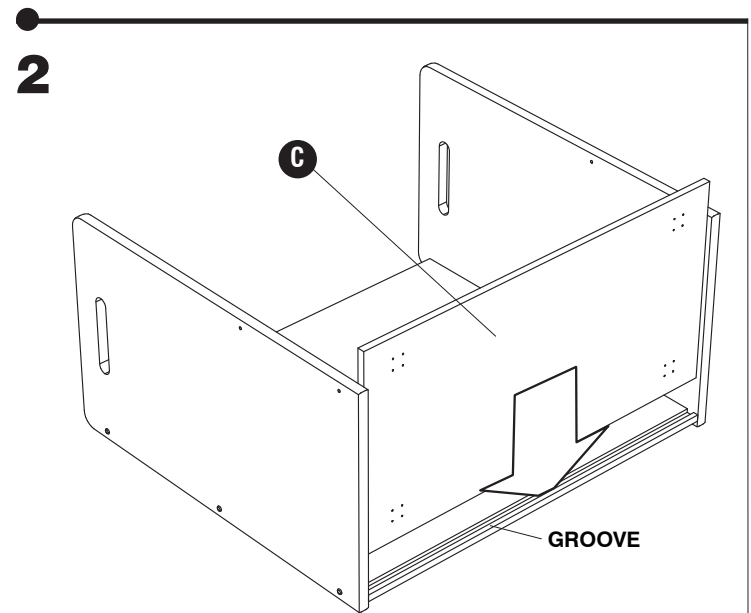
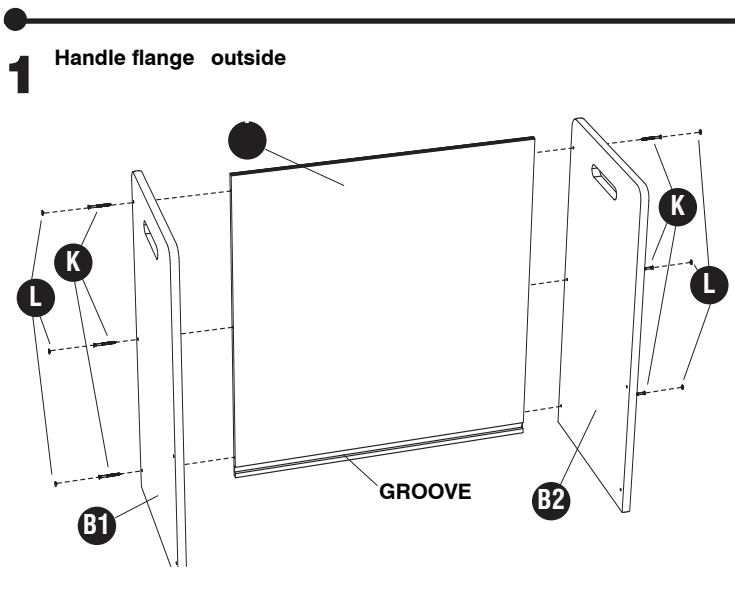
PARTS LIST

CODE	DESCRIPTION	QTY.	PART NO.
(A)	Back Panel	1	3083-53PT
(B1)	Left Side Panel	1	3083-68PT
(B2)	Right Side Panel	1	3083-67PT
(C)	Bottom Panel	1	3083-51NC
(D)	Front Panel	1	3083-52PT
(E)	Rectangular Partition	1	3043-54PT
(F)	Rectangular Partition	1	3043-57PT
(G)	Triangular Partition	6	3043-59PT
(H)	Open Channel	2	3083-74PT
(I)	Closed Channel	6	3083-73PT
(J)	Hardware Pack	1	3083-69PT

HARDWARE PACK - 3083-69PT

 Long Screw QTY: 10 #3030-58NC	 Screw Cover QTY: 10 #3030-72PT
 Allen Wrench QTY: 1 #3030-83NC	 Caster QTY: 4 #3082-86NC
 Short Screw QTY: 16 #3082-84NC	



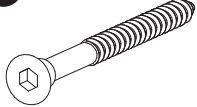


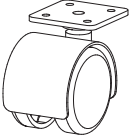



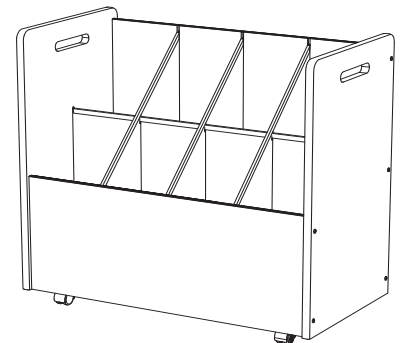
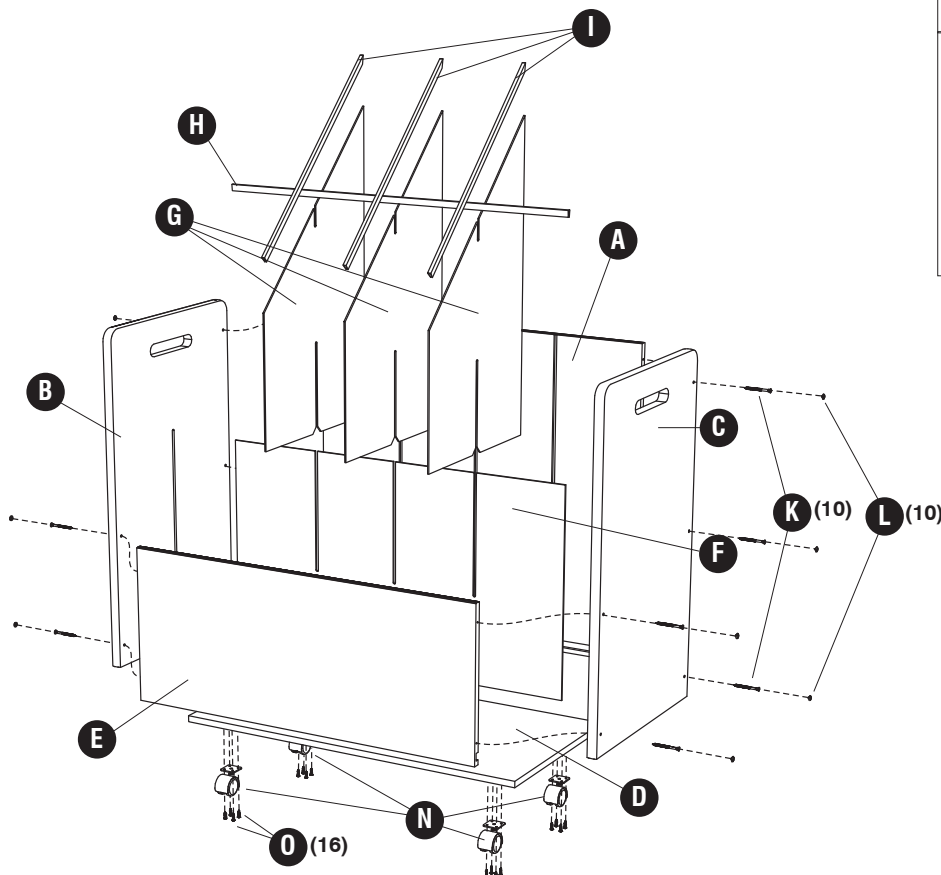
Mobile Plan Drawing Organizer - SMS-02-V37-3045

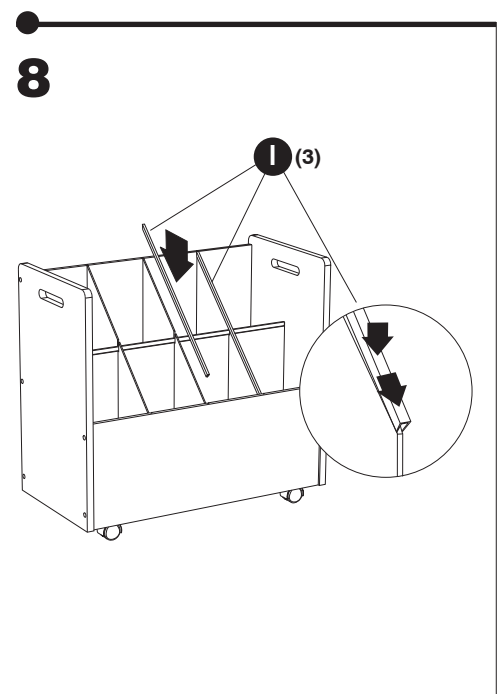
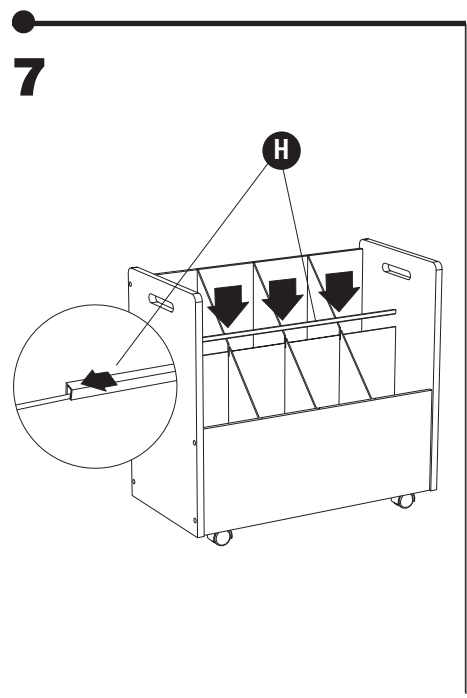
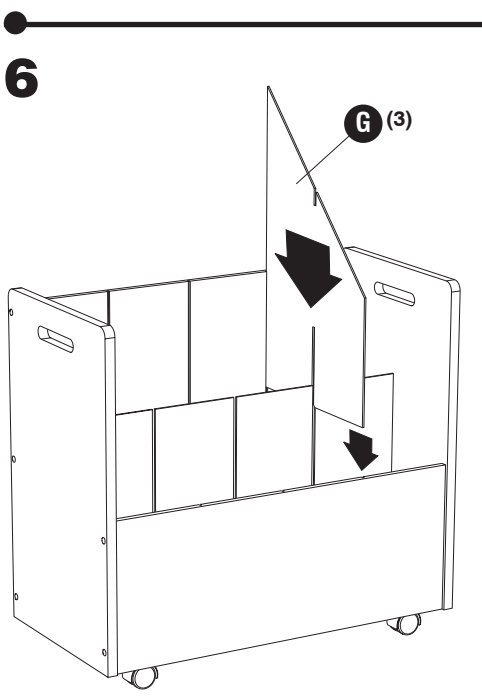
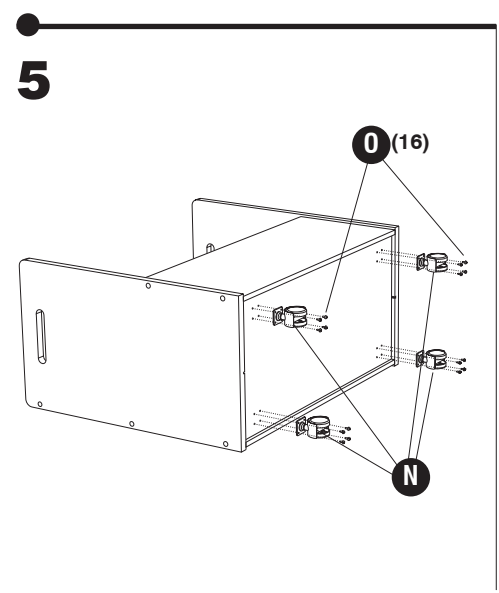
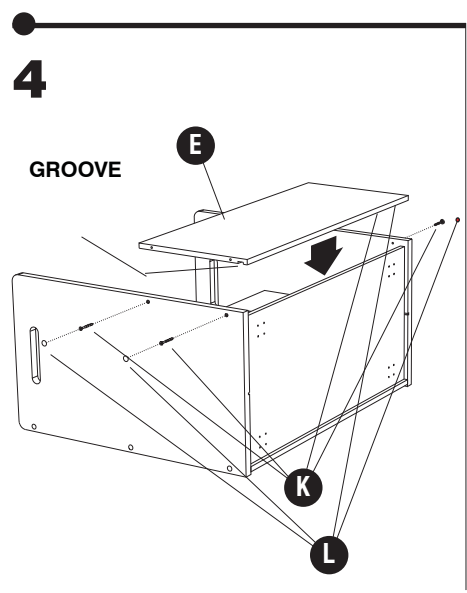
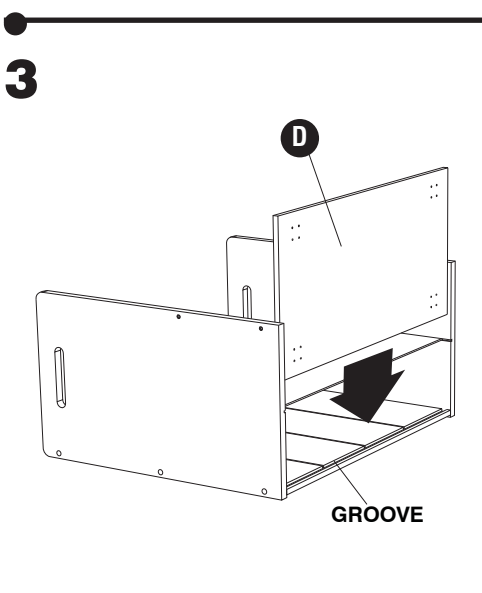
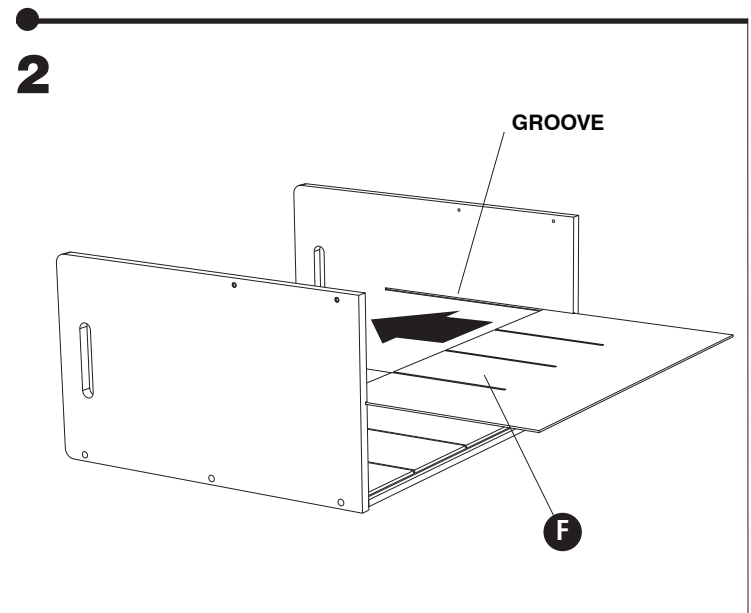
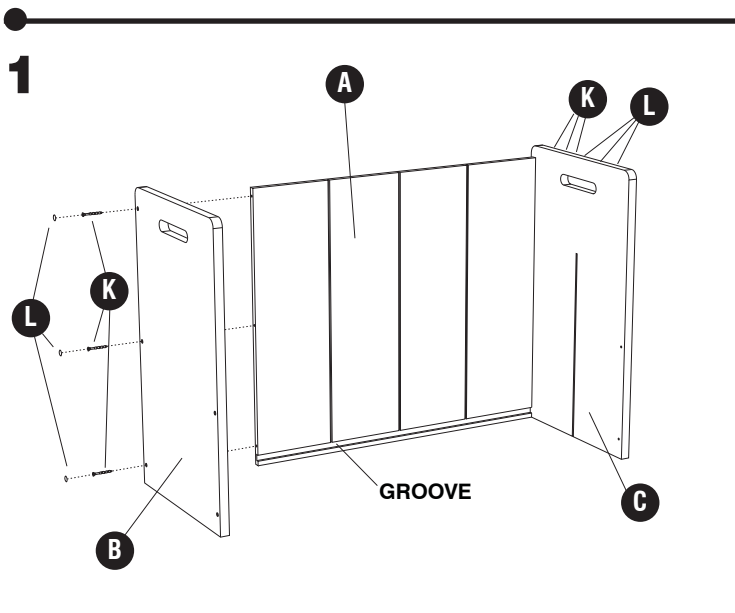
ASSEMBLY INSTRUCTIONS

TOOLS REQUIRED: Hammer, Allen Wrench (included)

PARTS LIST			
CODE	DESCRIPTION	QTY.	PART NO.
(A)	Back Panel	1	3045-53PT
(B)	Left Side Panel	1	3045-57PT
(C)	Right Side Panel	1	3045-58PT
(D)	Bottom Panel	1	3083-51NC
(E)	Front Panel	1	3045-52PT
(F)	Rectangular Partition	1	3045-56PT
(G)	Triangular Partition	3	3045-59PT
(H)	Open Channel	1	3083-74PT
(I)	Closed Channel	3	3083-73PT
(J)	Hardware Pack	1	3083-69PT

HARDWARE PACK - 3083-69PT	
 Long Screw QTY: 10 #3030-58NC	 Screw Cover QTY: 10 #3030-72PT
 Allen Wrench QTY: 1 #3030-83NC	 Caster QTY: 4 #3082-86NC
 Short Screw QTY: 16 #3082-84NC	



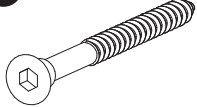


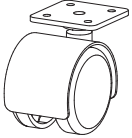



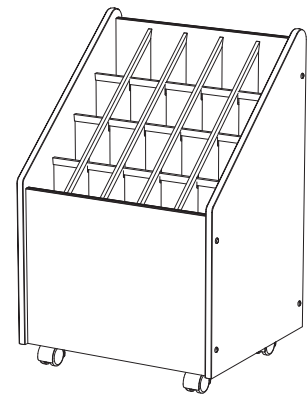
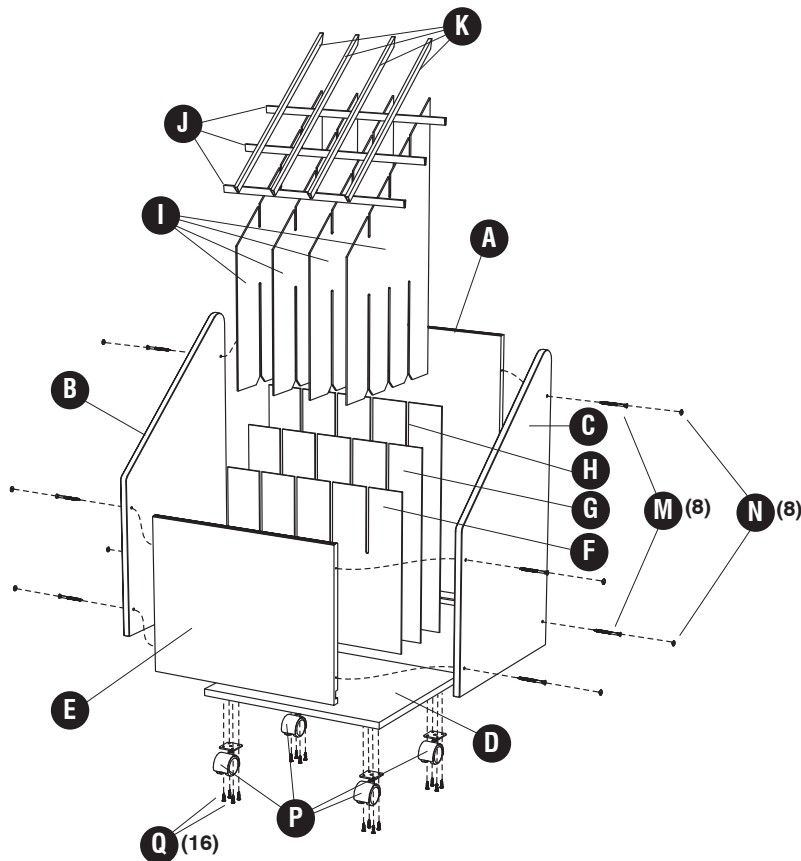
Mobile Plan Drawing Organizer – SMS-02-V37-3082

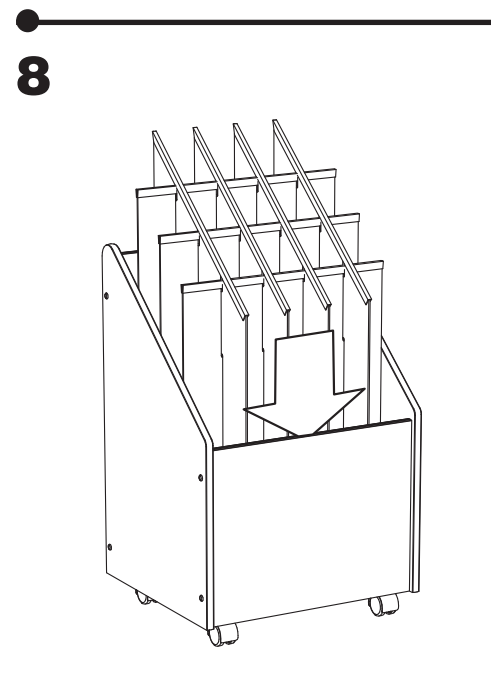
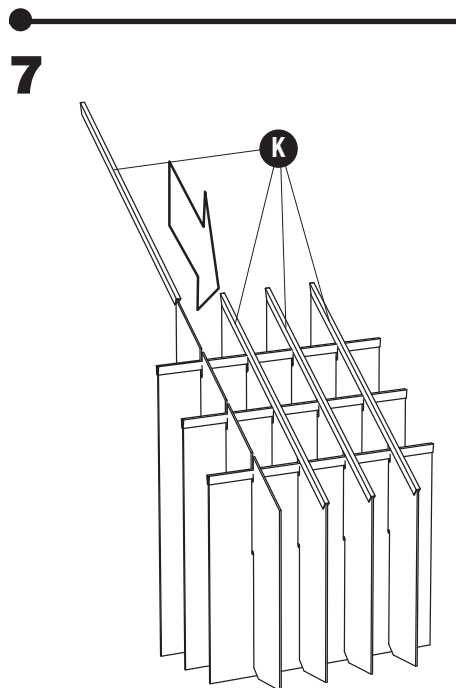
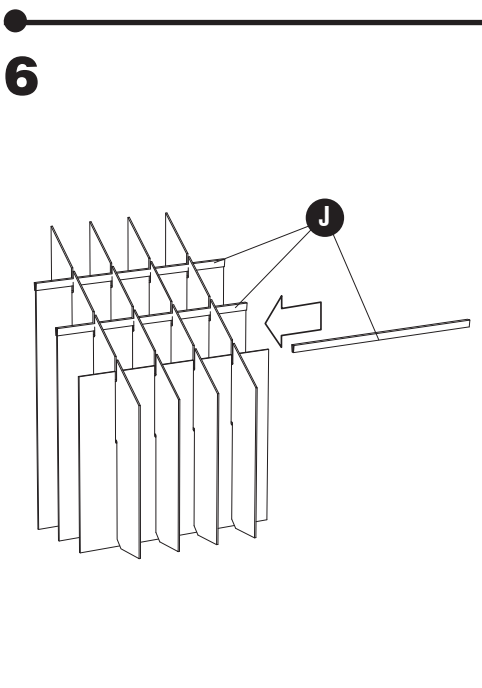
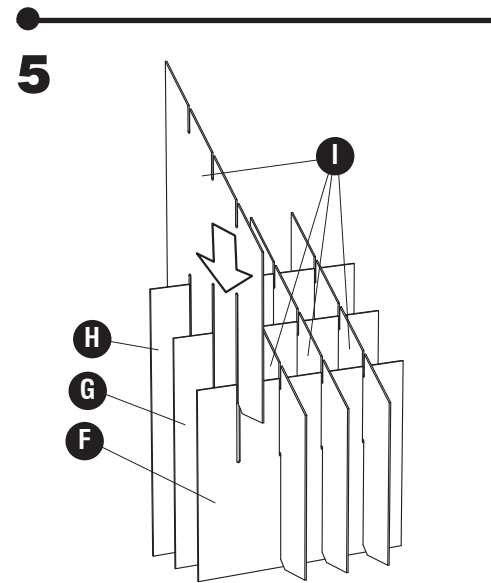
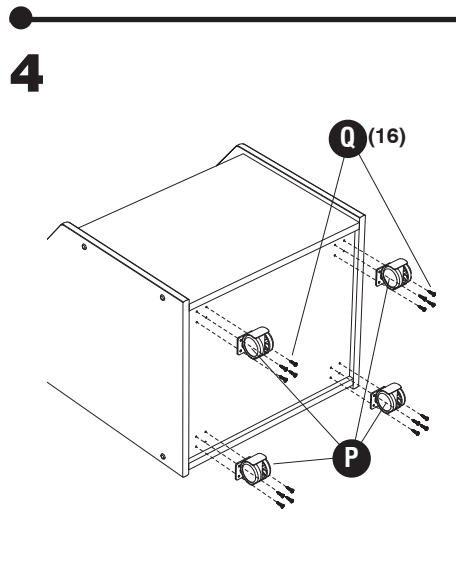
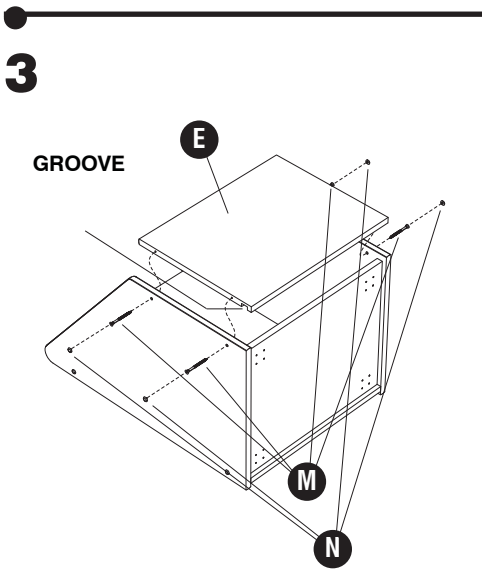
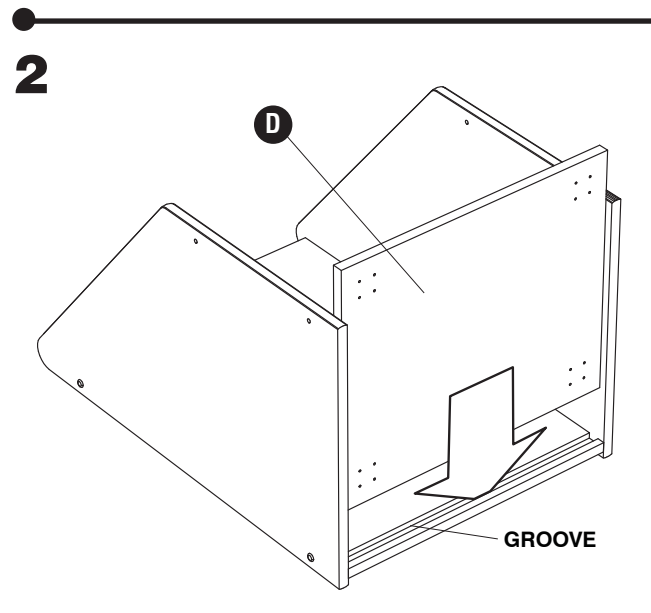
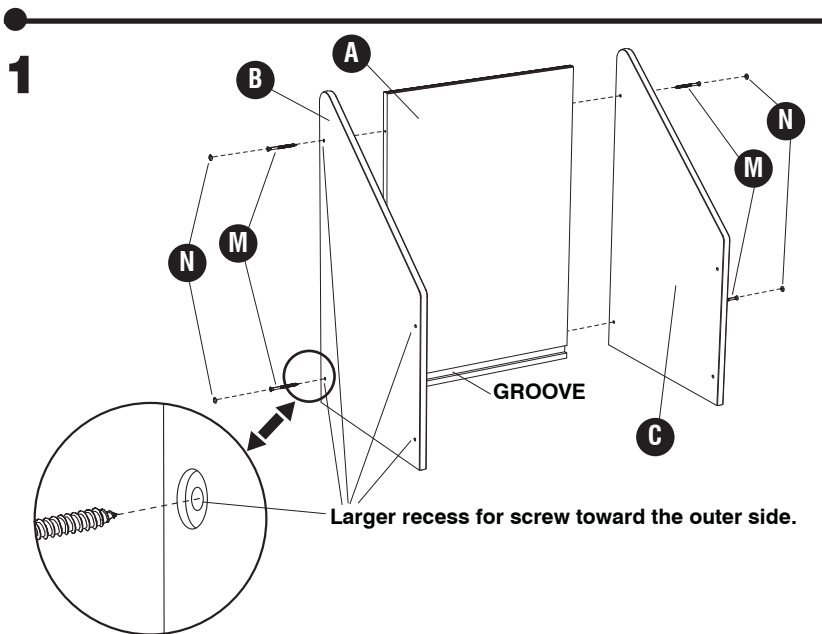
ASSEMBLY INSTRUCTIONS

TOOLS REQUIRED: Hammer, Allen Wrench (included)

PARTS LIST			
CODE	DESCRIPTION	QTY.	PART NO.
(A)	Back Panel	1	3082-53PT
(B)	Left Side Panel	1	3082-68PT
(C)	Right Side Panel	1	3082-67PT
(D)	Bottom Panel	1	3082-51NC
(E)	Front Panel	1	3082-52PT
(F)	Rectangular Partition	1	3082-54PT
(G)	Rectangular Partition	1	3082-56PT
(H)	Rectangular Partition	1	3082-57PT
(I)	Triangular Partition	4	3082-59PT
(J)	Open Channel	3	3082-74PT
(K)	Closed Channel	4	3082-73PT
(L)	Hardware Pack	1	3082-69PT

HARDWARE PACK - 3082-69PT	
 Long Screw QTY: 8 #3030-58NC	 Screw Cover QTY: 8 #3030-72PT
 Allen Wrench QTY: 1 #3030-83NC	 Caster QTY: 4 #3082-86NC
 Short Screw QTY: 16 #3082-84NC	



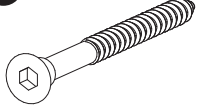


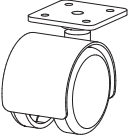



Mobile Plan Drawing Organizer – SMS-02-V37-3083

ASSEMBLY INSTRUCTIONS

TOOLS REQUIRED: Hammer, Allen Wrench (included)

PARTS LIST			
CODE	DESCRIPTION	QTY.	PART NO.
(A)	Back Panel	1	3083-53PT
(B1)	Left Side Panel	1	3083-68PT
(B2)	Right Side Panel	1	3083-67PT
(C)	Bottom Panel	1	3083-51NC
(D)	Front Panel	1	3083-52PT
(E)	Rectangular Partition	1	3083-54PT
(F)	Rectangular Partition	1	3083-55PT
(G)	Rectangular Partition	1	3083-56PT
(H)	Rectangular Partition	1	3083-57PT
(I)	Triangular Partition	9	3083-59PT
(J)	Open Channel	4	3083-74PT
(K)	Closed Channel	9	3083-73PT
(L)	Hardware Pack	1	3083-69PT

HARDWARE PACK – 3083-69PT	
 Long Screw QTY: 10 #3030-58NC	 Screw Cover QTY: 10 #3030-72PT
 Allen Wrench QTY: 1 #3030-83NC	 Caster QTY: 4 #3082-86NC
 Short Screw QTY: 16 #3082-84NC	

