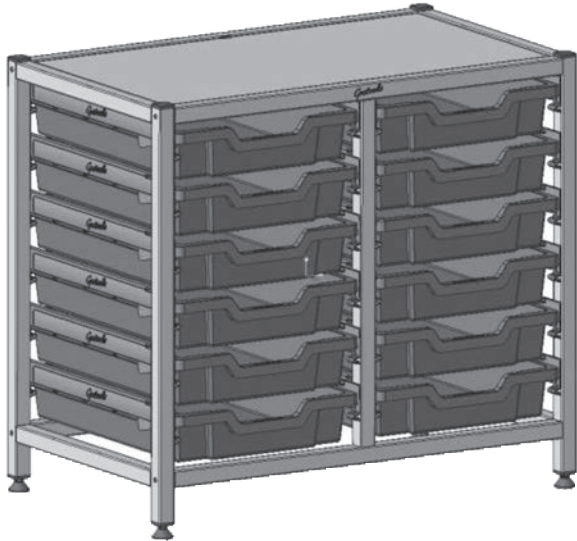




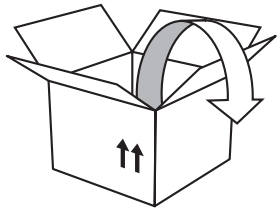


# MOBILE CLASSROOM CART

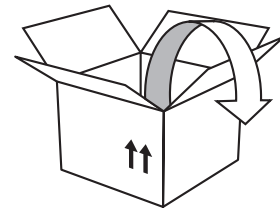
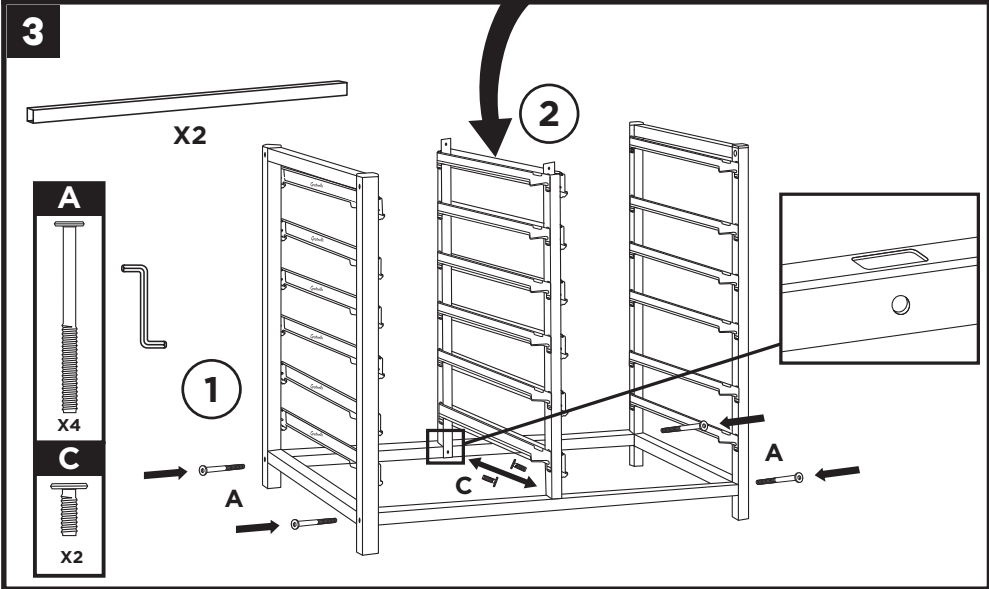
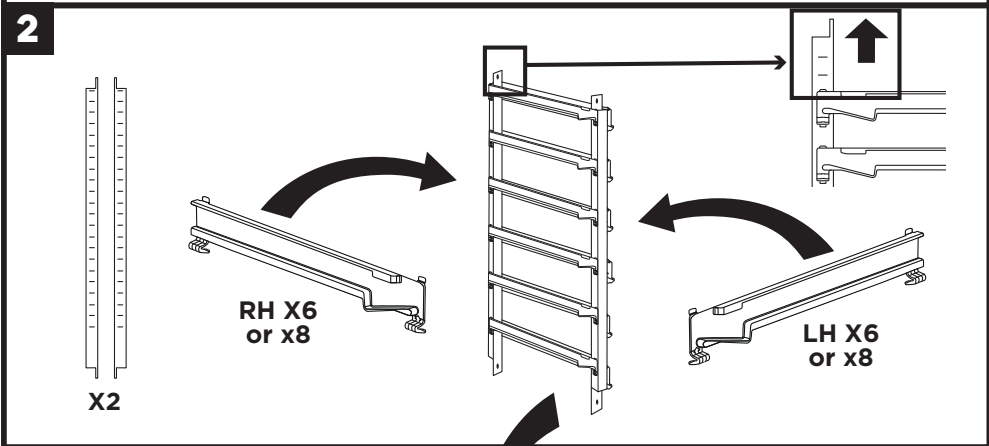
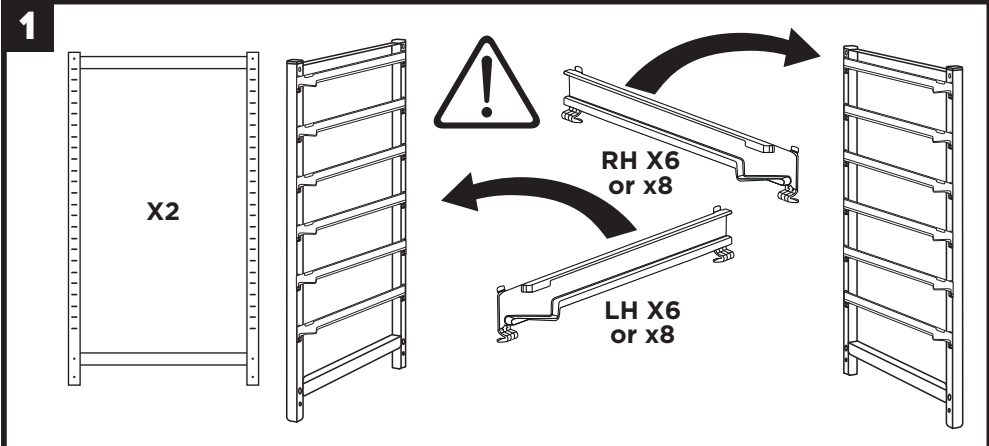
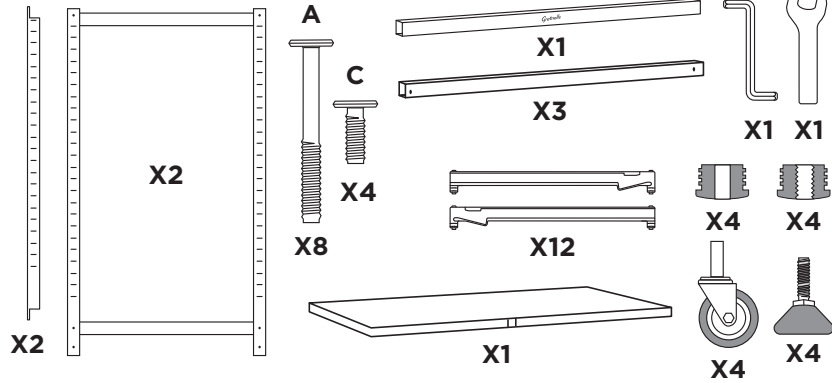


Low double unit 6 RUNNER	Mid double unit 8 RUNNER
W715 x D420 x H725 with castors W715 x D420 x H655 with feet	W715 x D420 x H935 with castors W715 x D420 x H865 with feet
 <b>DYTL244</b> (silver) OR  <b>DYTL232</b> (powder blue)	 <b>DYTM244</b> (silver) OR  <b>DYTM232</b> (powder blue)



### Low double unit | 6 runner DYTL244 or DYTL232

H715 x W714 x D420



### Mid double unit | 8 runner DYTM244 or DYTM232

H952 x W714 x D420

