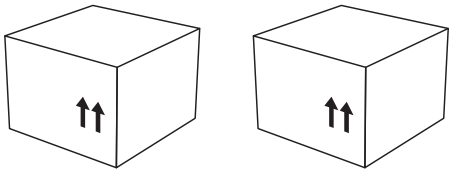


MST01 Makerspace trolley

Dimensions: 1560(H) x 1025(W) x 430mm(D).

BOX 1: MSCAR3444

1080(L) X 480(W) X 120mm(H) – 23.5 KG



Box
MSCAR3444

X2

⊕

⊖

✓

✗

X4

A	B	C	E	G
X8	X16	X14	X10	X14

X2

3mm X1
4mm X1

X2

X2

X24

X24

X1

X7

X2

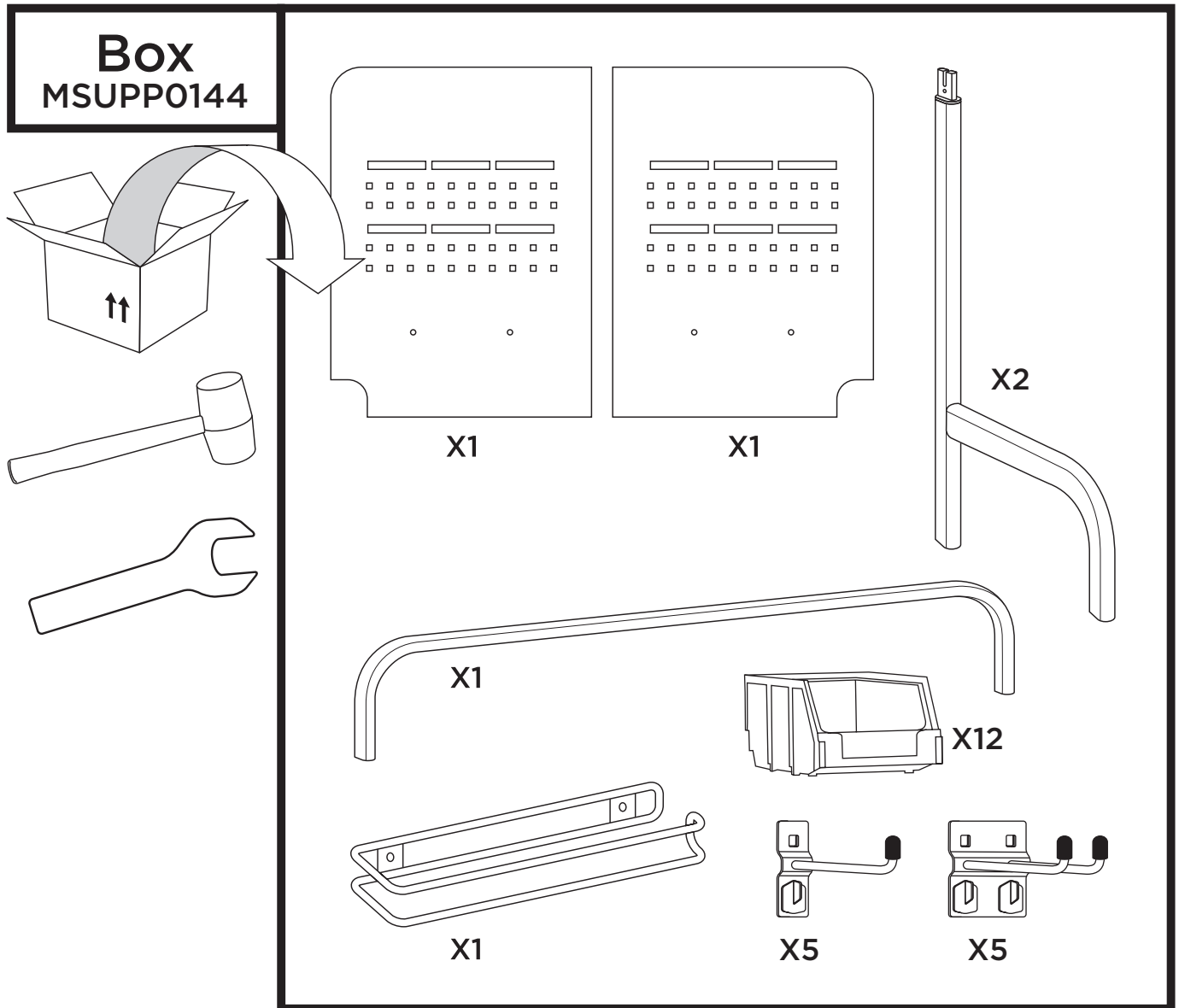
X1

MST01 Makerspace trolley

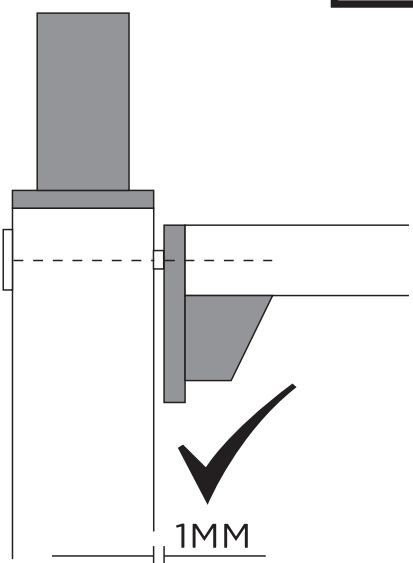
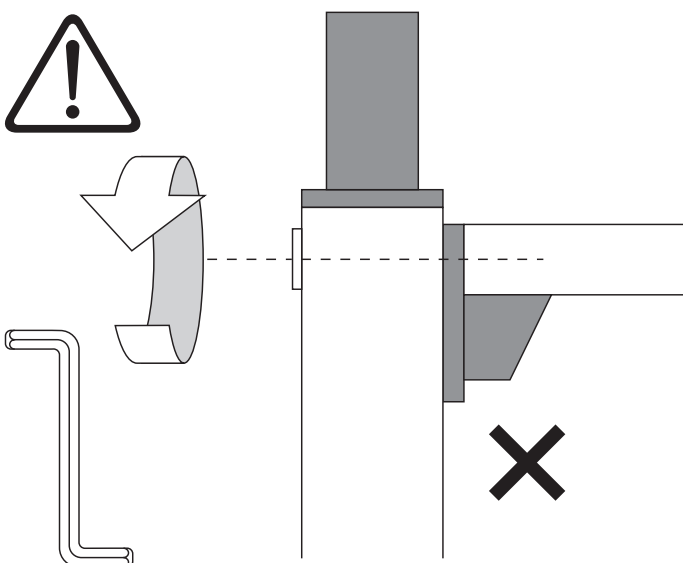
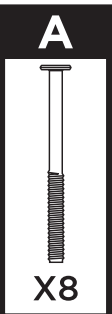
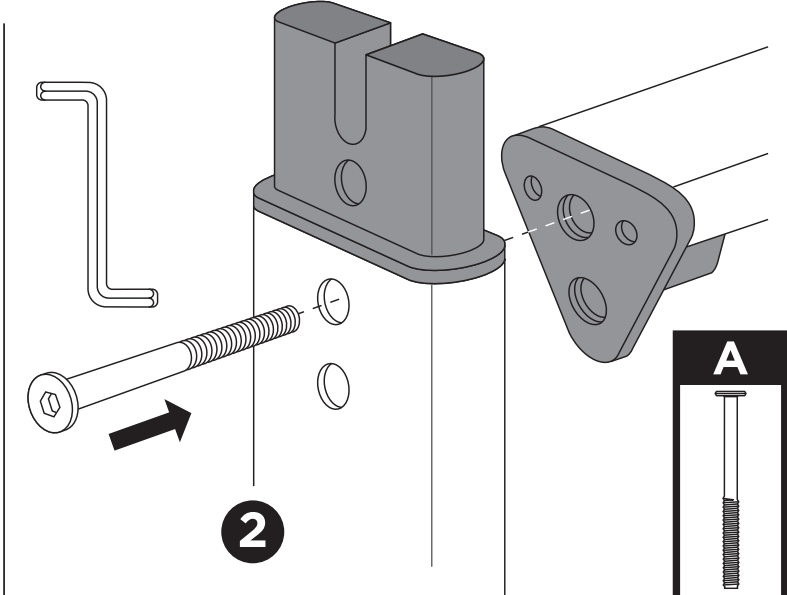
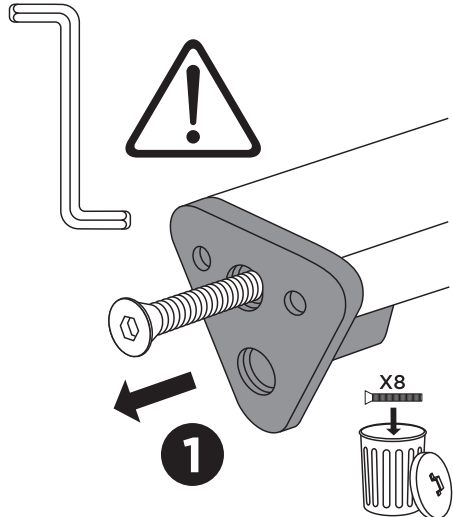
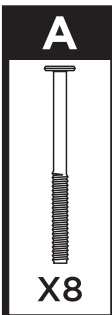
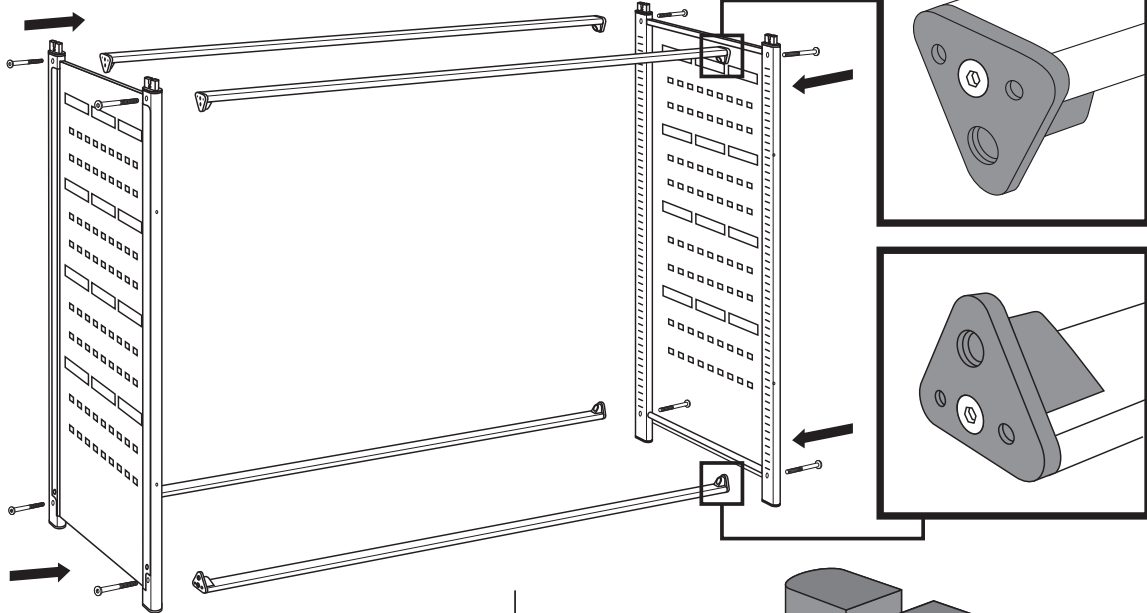
Dimensions: 1560(H) x 1025(W) x 430mm(D).

BOX 2: MSUPP0144

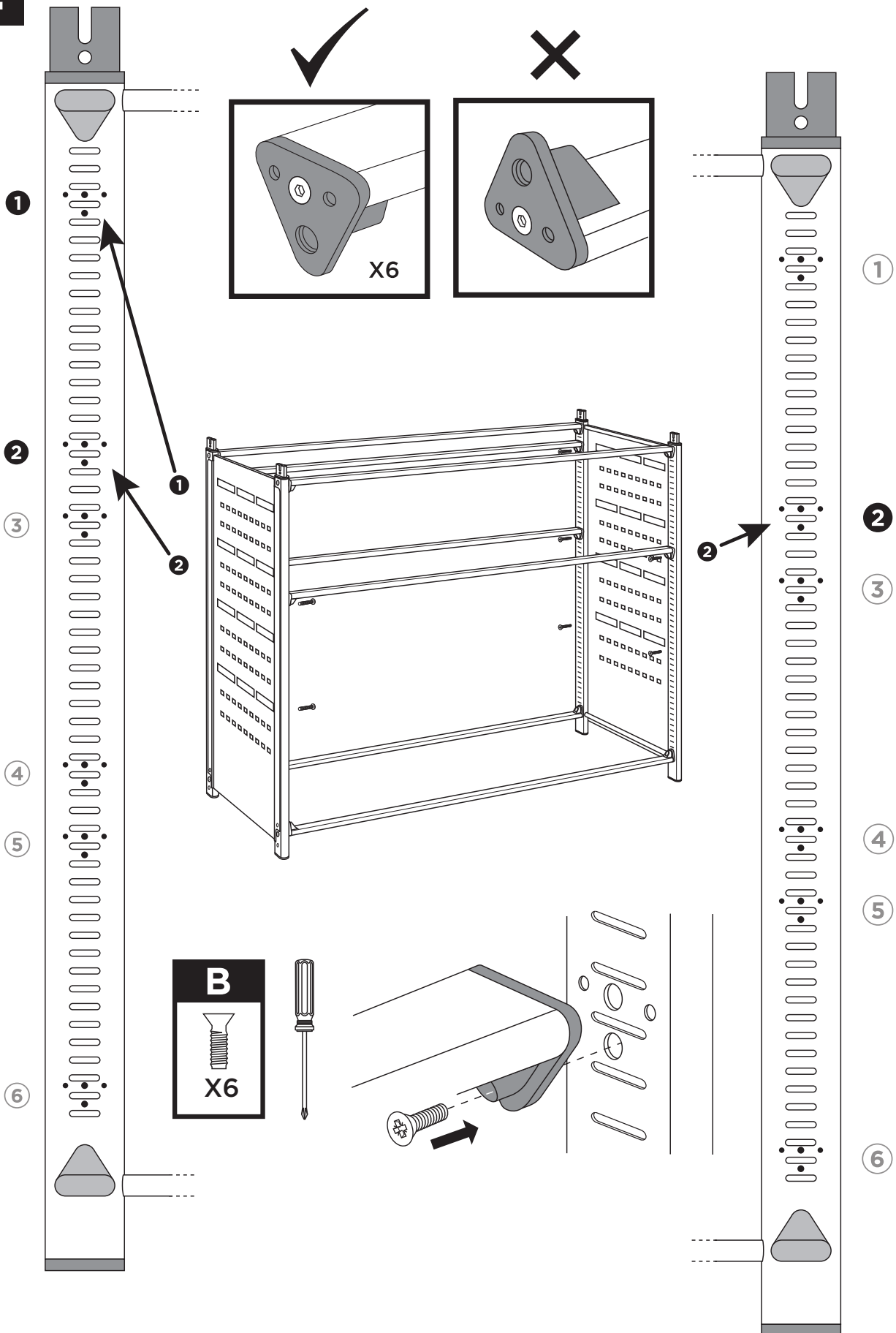
1090(L) X 510(W) X 130mm(H) – 13.2 KG



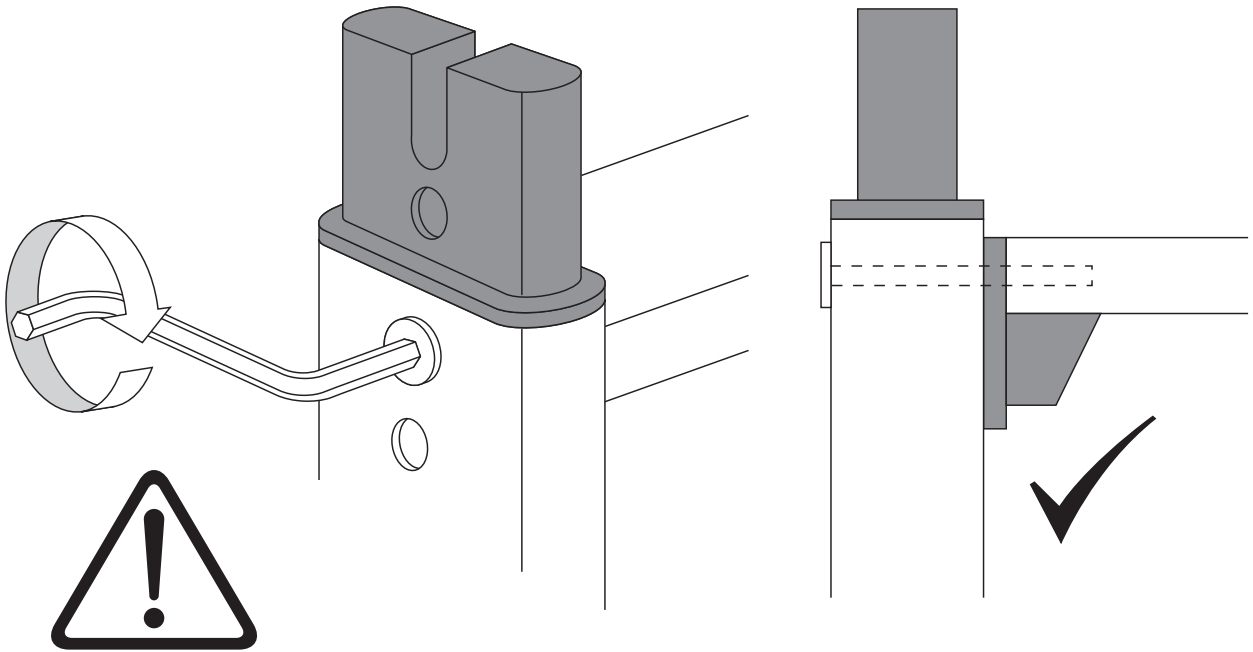
1



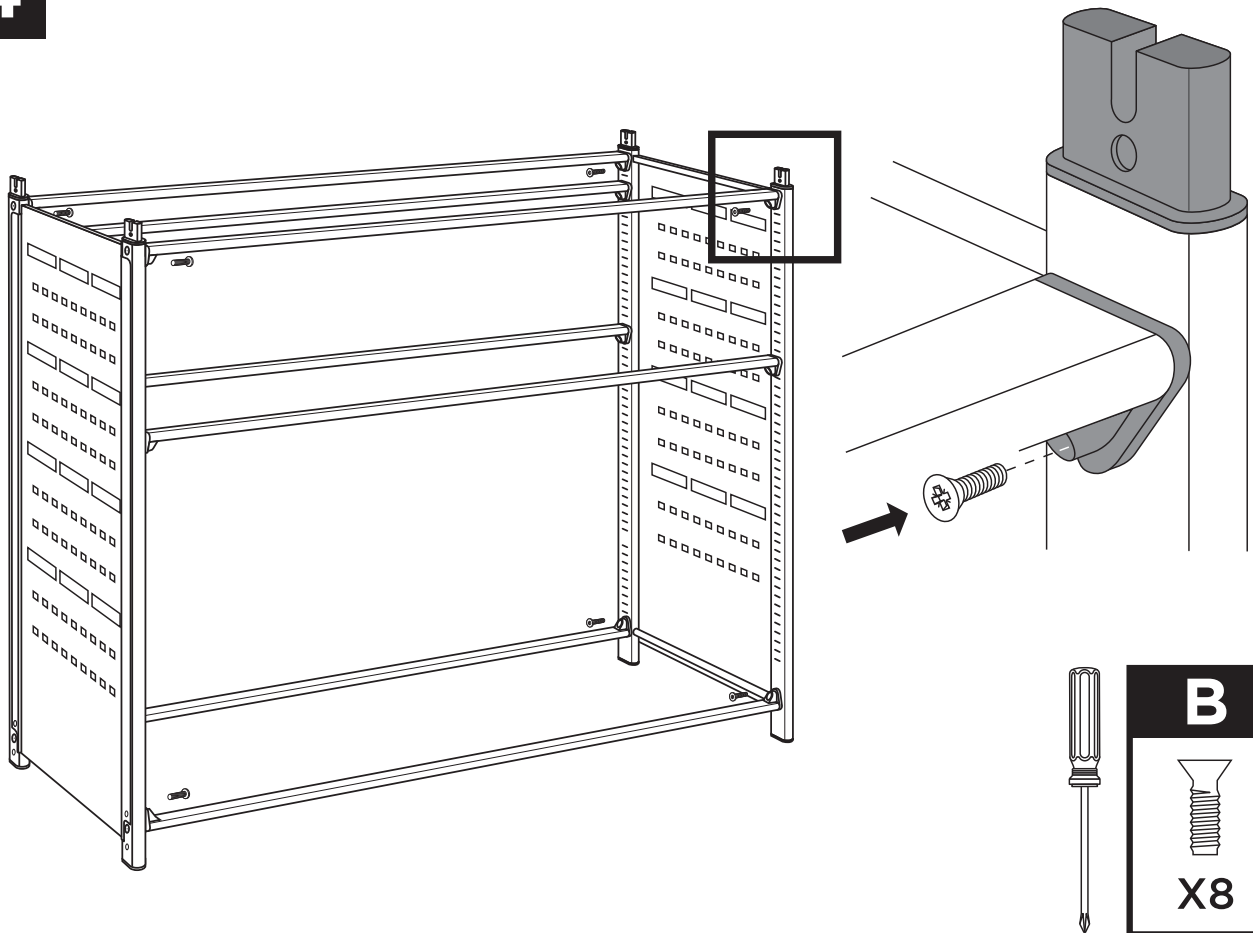
2



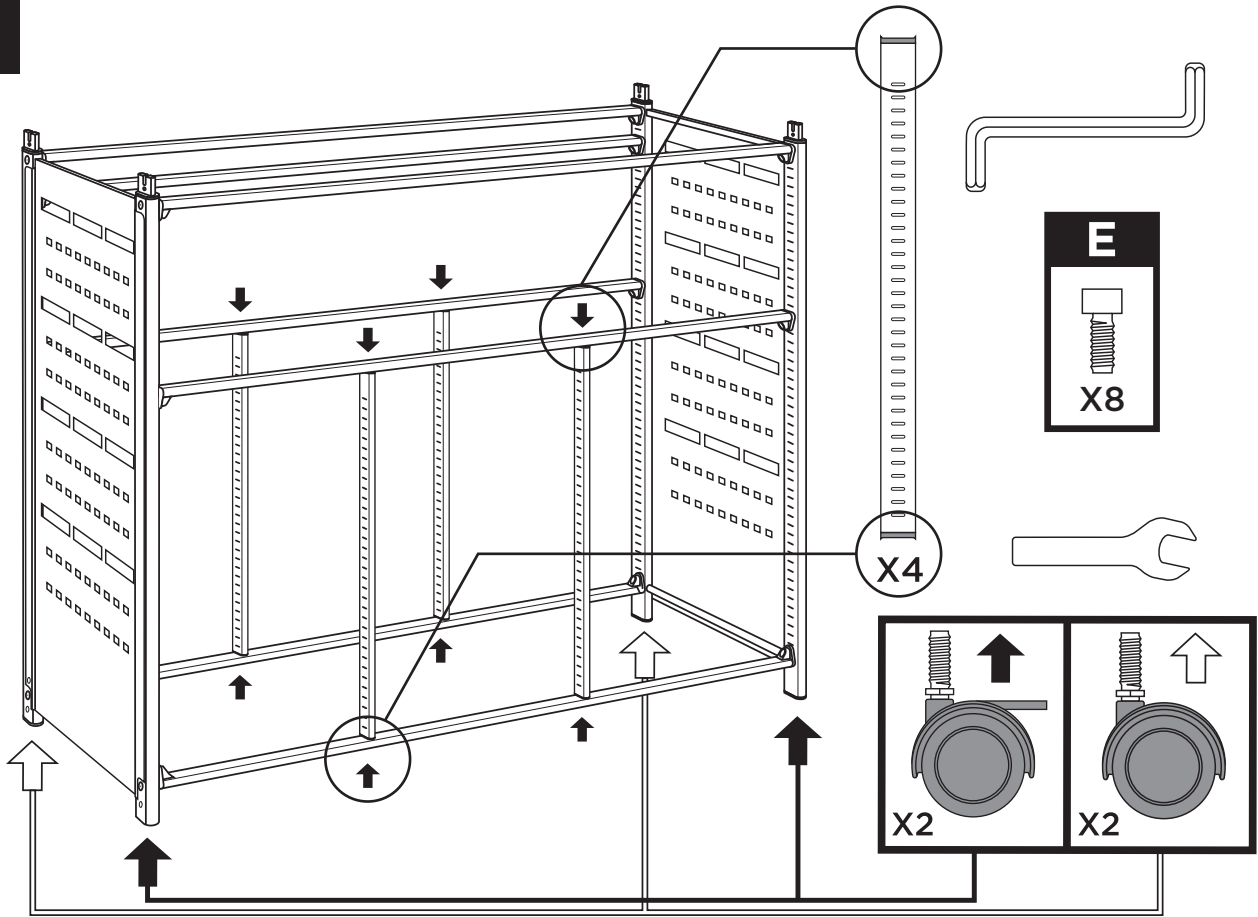
3



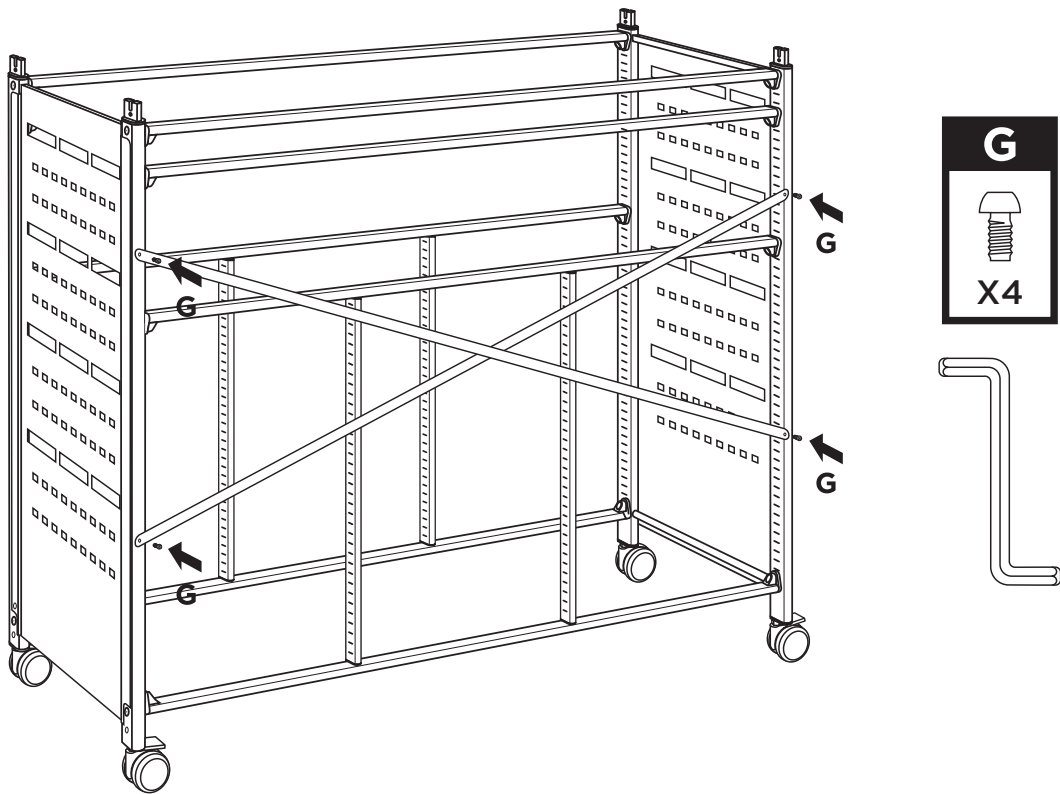
4



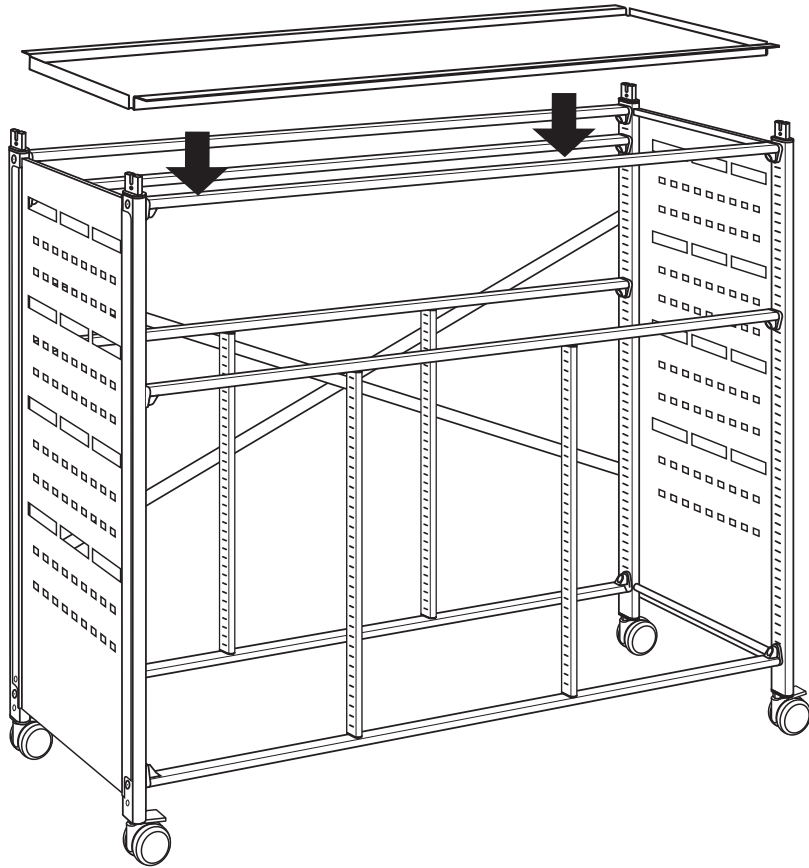
5



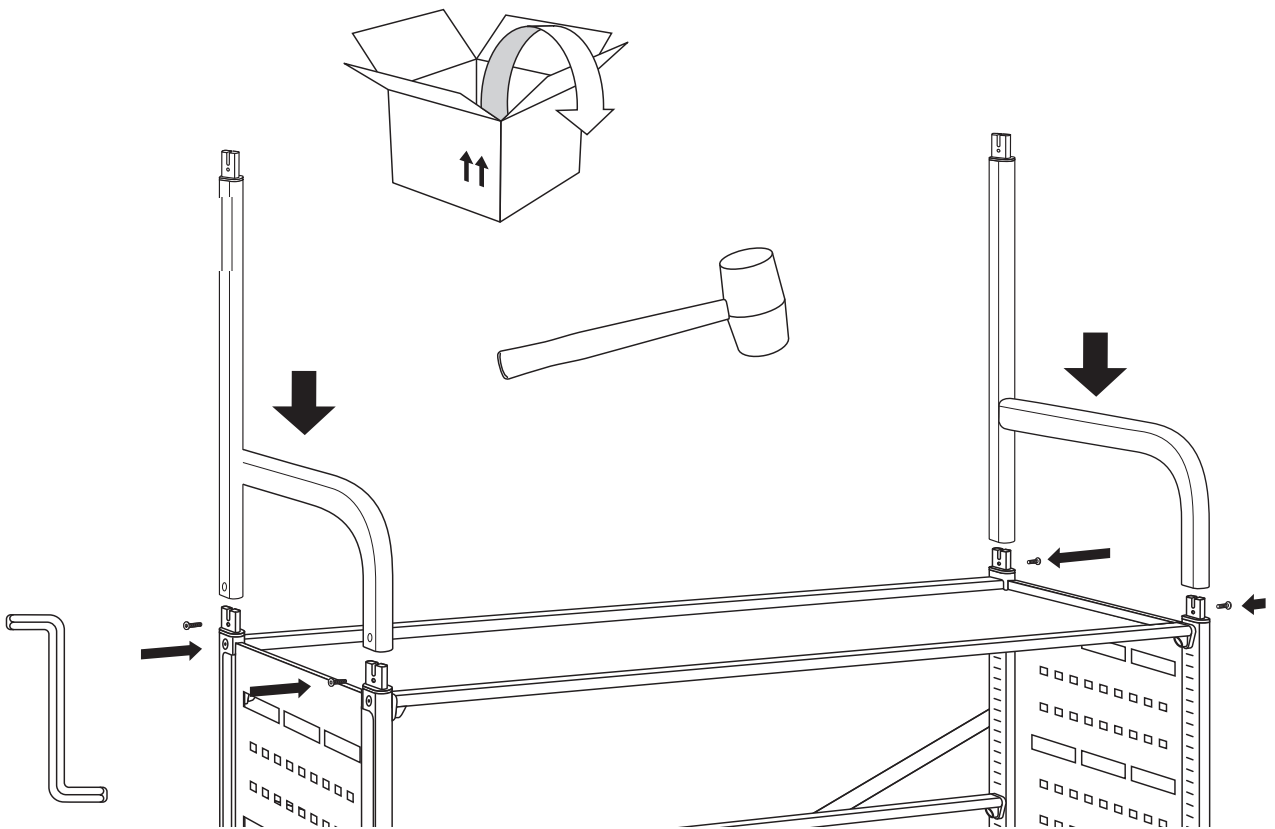
6



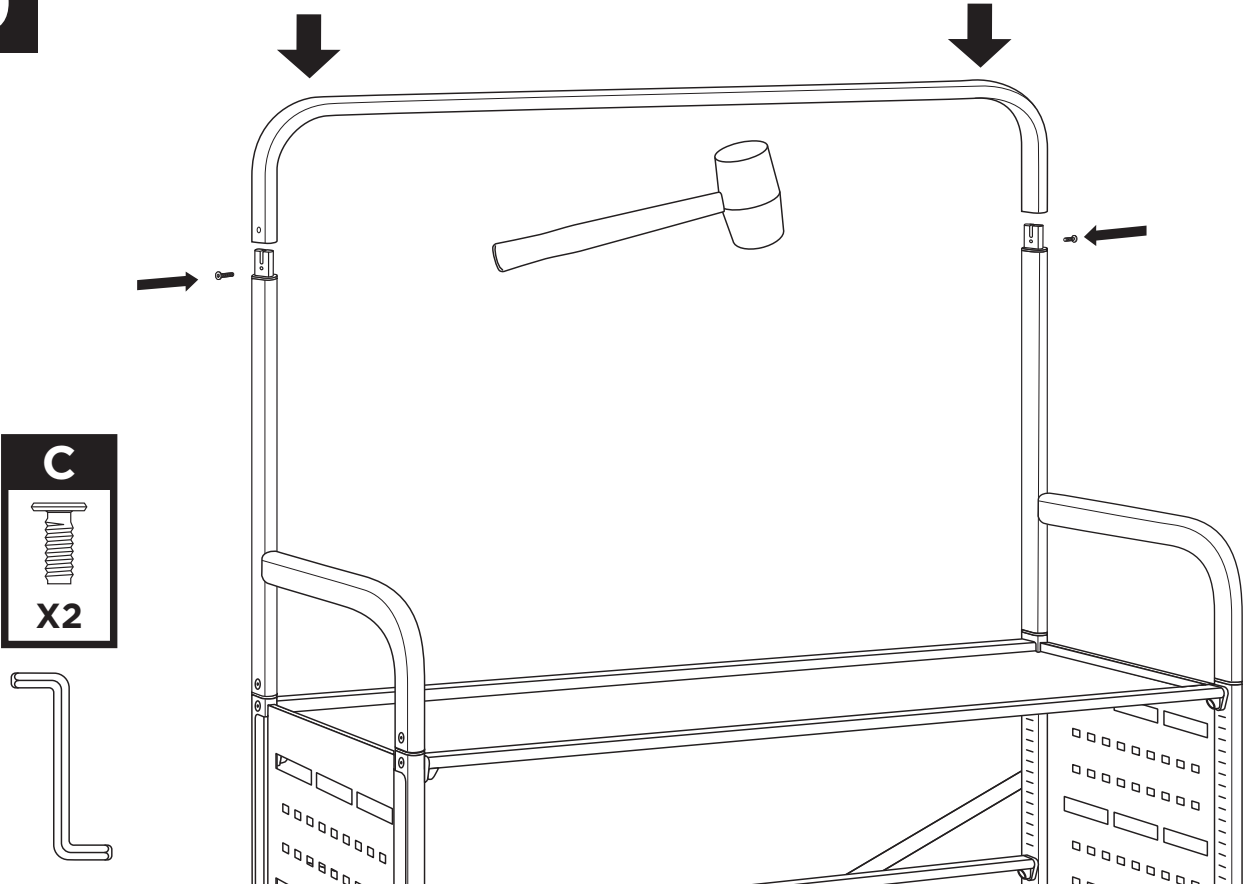
7



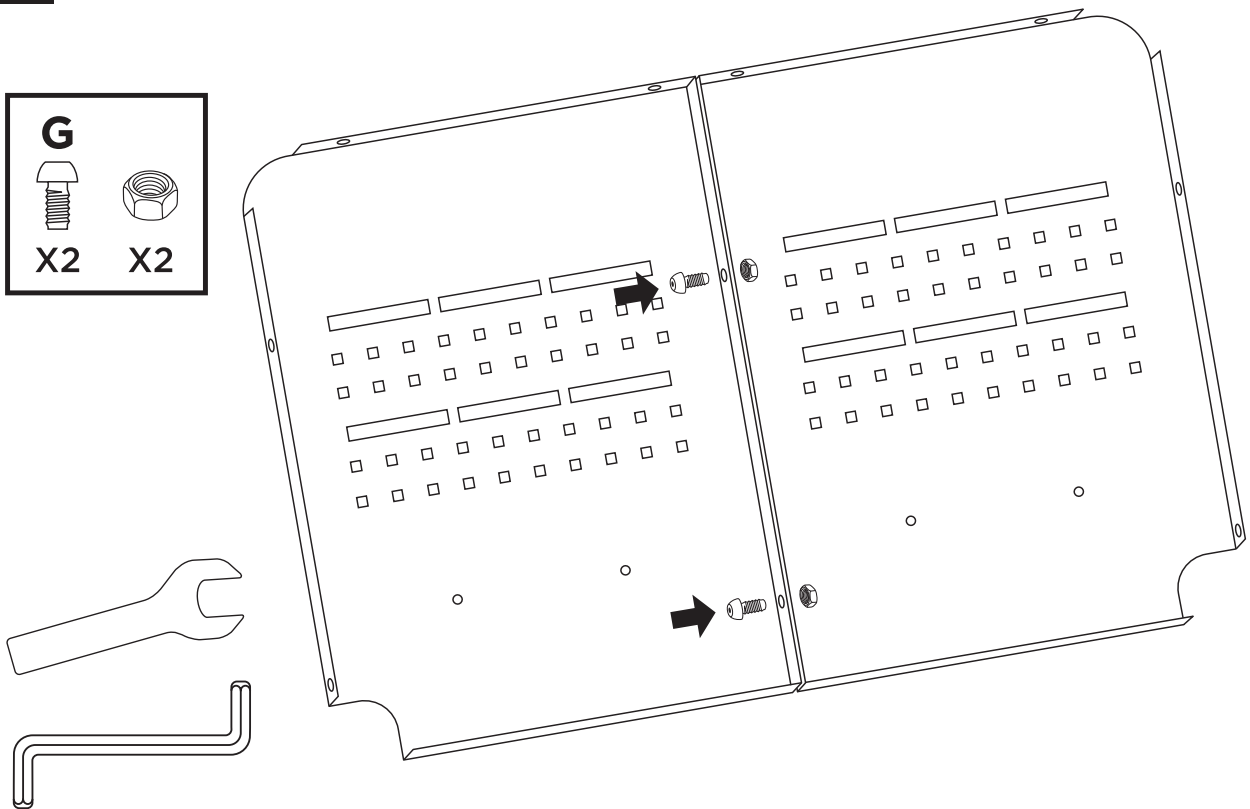
8



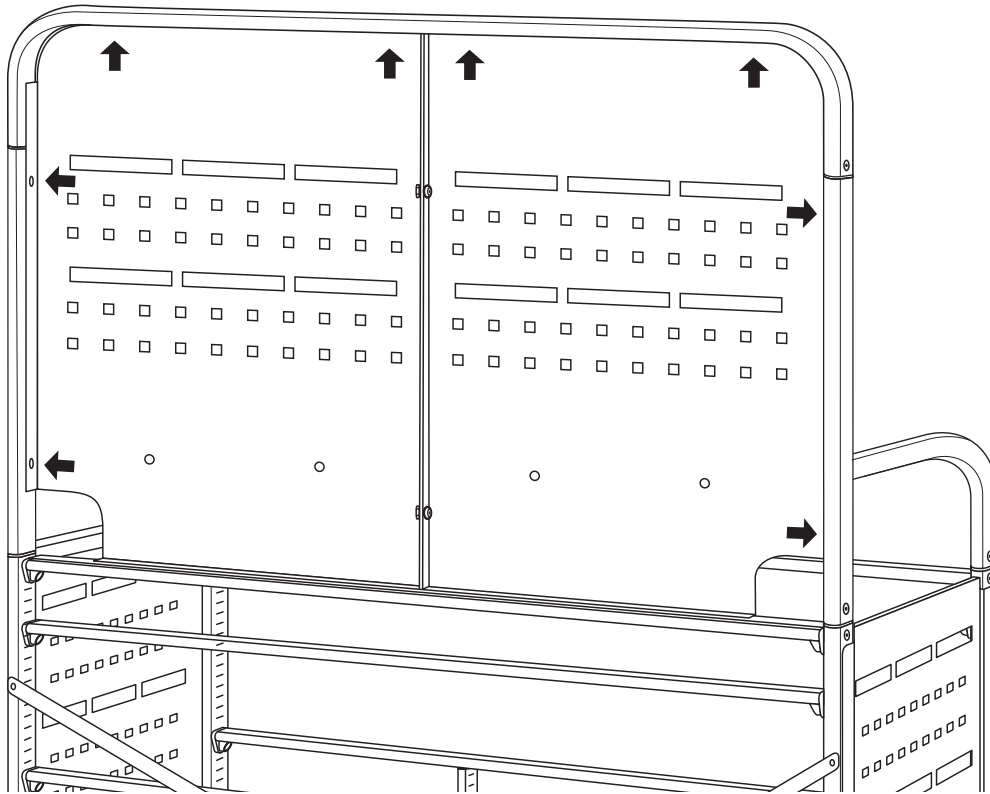
9



10



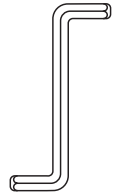
11



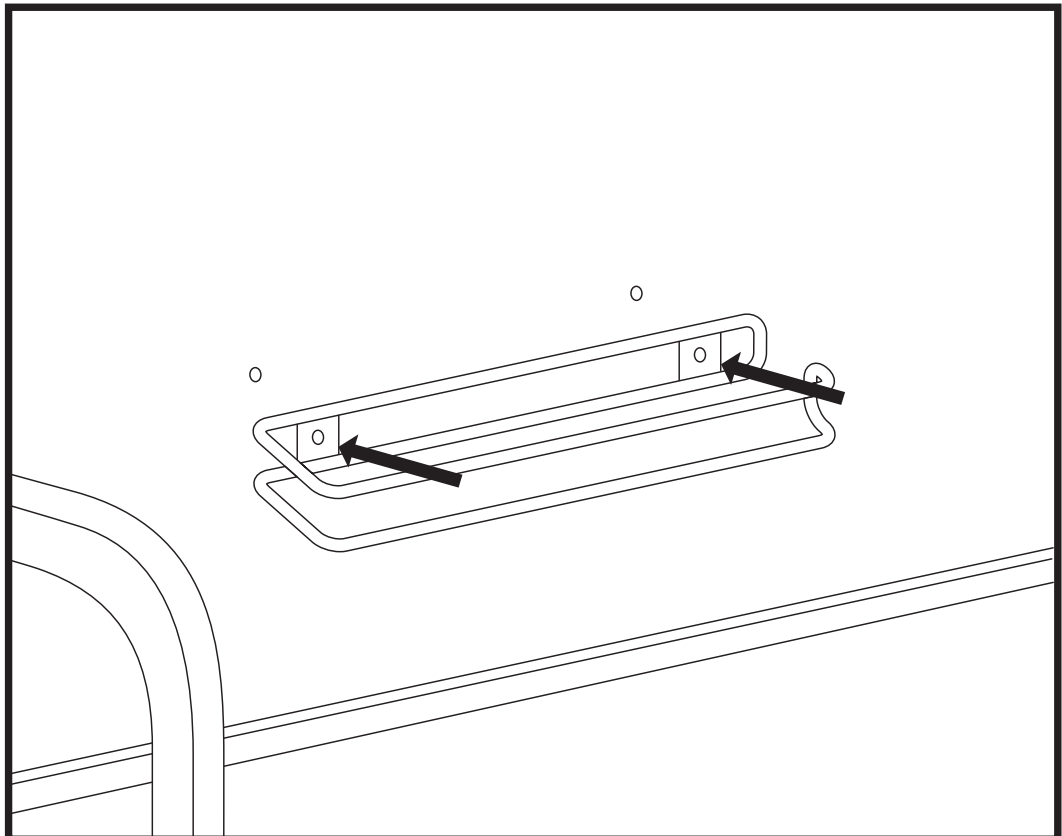
G



X8



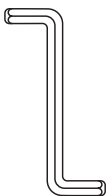
12

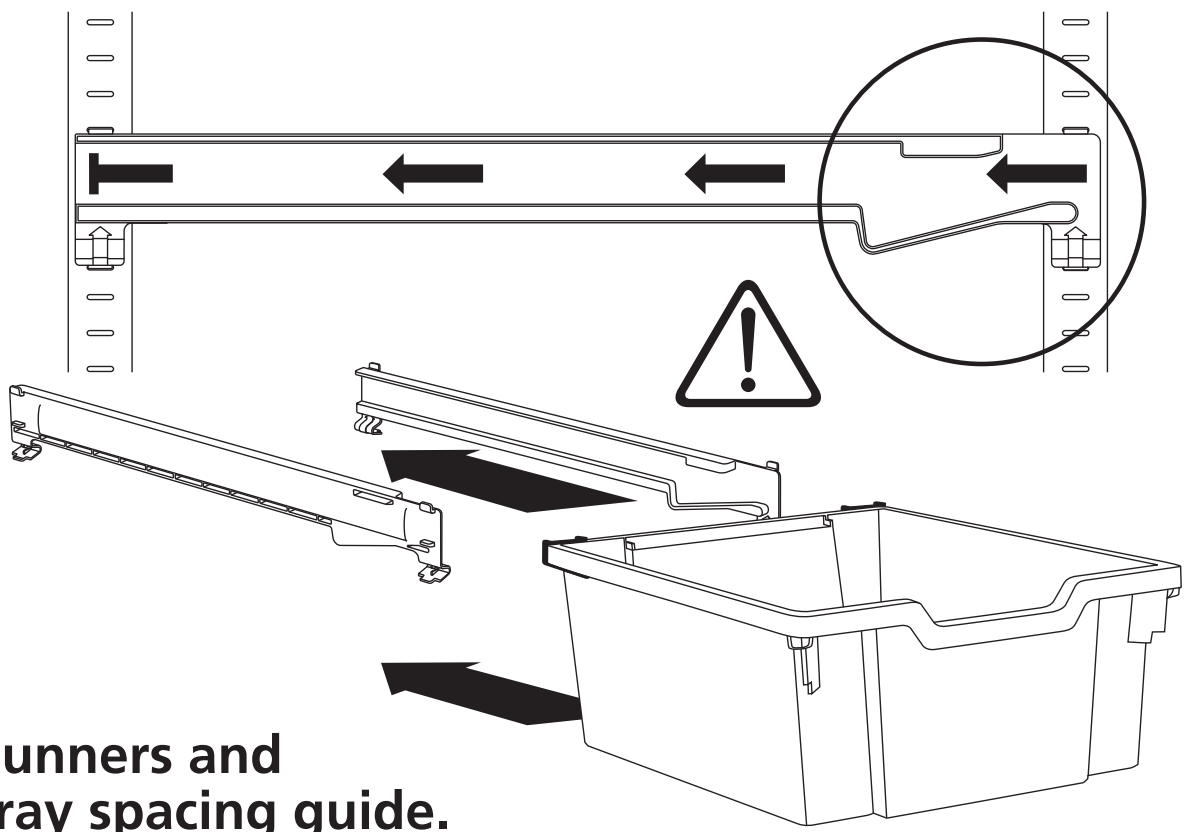


C



X2





**Runners and
Tray spacing guide.**

