

Kanban Carts || SMS-02-V69-ELKB

Specification Sheet

Short Form Specifications

Eagle Supply Storage System, model _____.
Chrome finish. Open wire shelf construction promotes laminar flow and visibility of shelf contents, plus reduces dust buildup. Shelf slant promotes ease of sliding rear bins forward, plus visibility of contents. Set of 63"-high posts, with 5"-diameter casters—two with brake.

MODELS:

- ELKB-3036-C
- ELKB-3048-C
- KB-234-BL
- KB-240-BL
- KB-250-BL



shown with optional supply bins (sold separately)

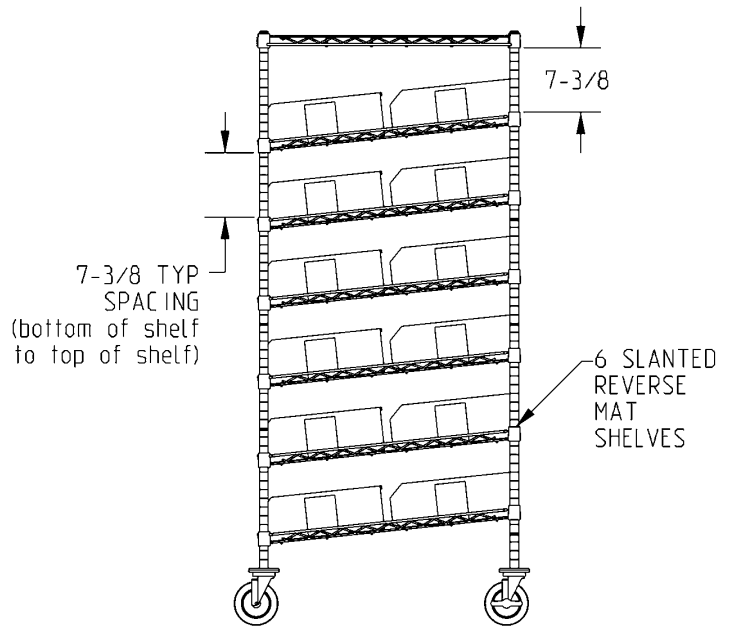
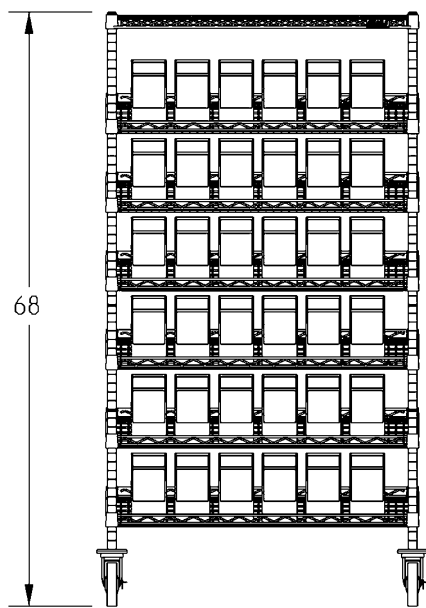
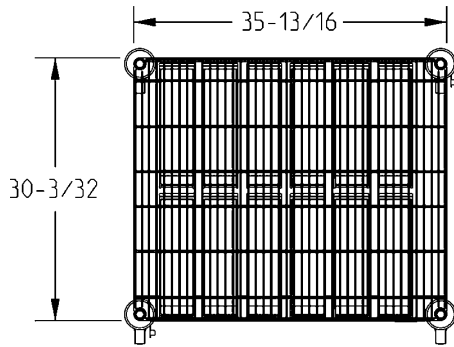
Design and Construction Features

- Six 30" x 36" (762 x 914mm) or 30" x 48" (762 x 1219mm) wire shelves, featuring patented Quad-Truss® design (patent #5,390,803) .
- Each 30" (762mm)-deep shelf allows use of two rows of 14¾" (375mm)- deep bins (see photo at right).
- Shelves are at a 2" (51mm) slant for ease of sliding supply bins forward and for greater visibility of contents.
- Reverse mat shelves contain a lip on all sides to ensure bins stay in place.
- 63" (1600mm)-high posts are 1" (25mm) diameter, with grooves at 1" (25mm) increments for shelf position.
- 5" (127mm)-diameter swivel casters, two with brake.
- Shelves and posts feature chrome finish.
- Supply bins sold separately.
- Consult factory for additional configurations.

Options / Accessories

- Additional slides
- Cart covers
- Alternate configurations (contact factory)





#ELKB-3036-C shown with optional supply bins (sold separately)

width		length		height		bin capacity per shelf			model #
in.	mm	in.	mm	in.	mm	bin size: 14-3/4" x 5-1/2" x 5"	bin size: 14-3/4" x 8-1/4" x 7"	bin size: 14-3/4" x 16-1/2" x 7"	
30"	762	36"	914	68"	1727	12	8	4	ELKB-3036-C
30"	762	48"	1219	68"	1727	14	10	4	ELKB-3048-C

Optional Supply Bins

front-to-back		side-to-side		height		model #
in.	mm	in.	mm	in.	mm	
14-3/4"	375	5-1/2"	140	7"	178	KB-234-BL
14-3/4"	375	8-1/4"	210	7"	178	KB-240-BL
14-3/4"	375	16-1/2"	419	7"	178	KB-250-BL

