

Instruction Manual



Gratnells

Contents

**Treble
Column Unit**



Page 4

**Double
Column Unit**



Page 8

**Tilted
Tray Unit**



Page 12

**Tilted
Shelf Unit**



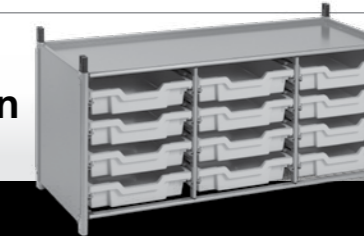
Page 17

**Flat
Shelf Unit**



Page 23

**12 Tray
Extension
Unit**



Page 29

**Expanding
the System**



Page 34

Art Trolley



Page 44

**A3 Paper
Trolley**



Page 46

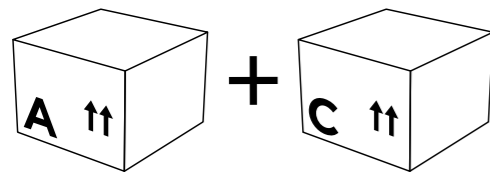
**Runners & Tray
spacing guide**



Page 48

Treble Column Unit

Dimensions: 1030(H) x 1025(W) x 430mm(D).



BOX A

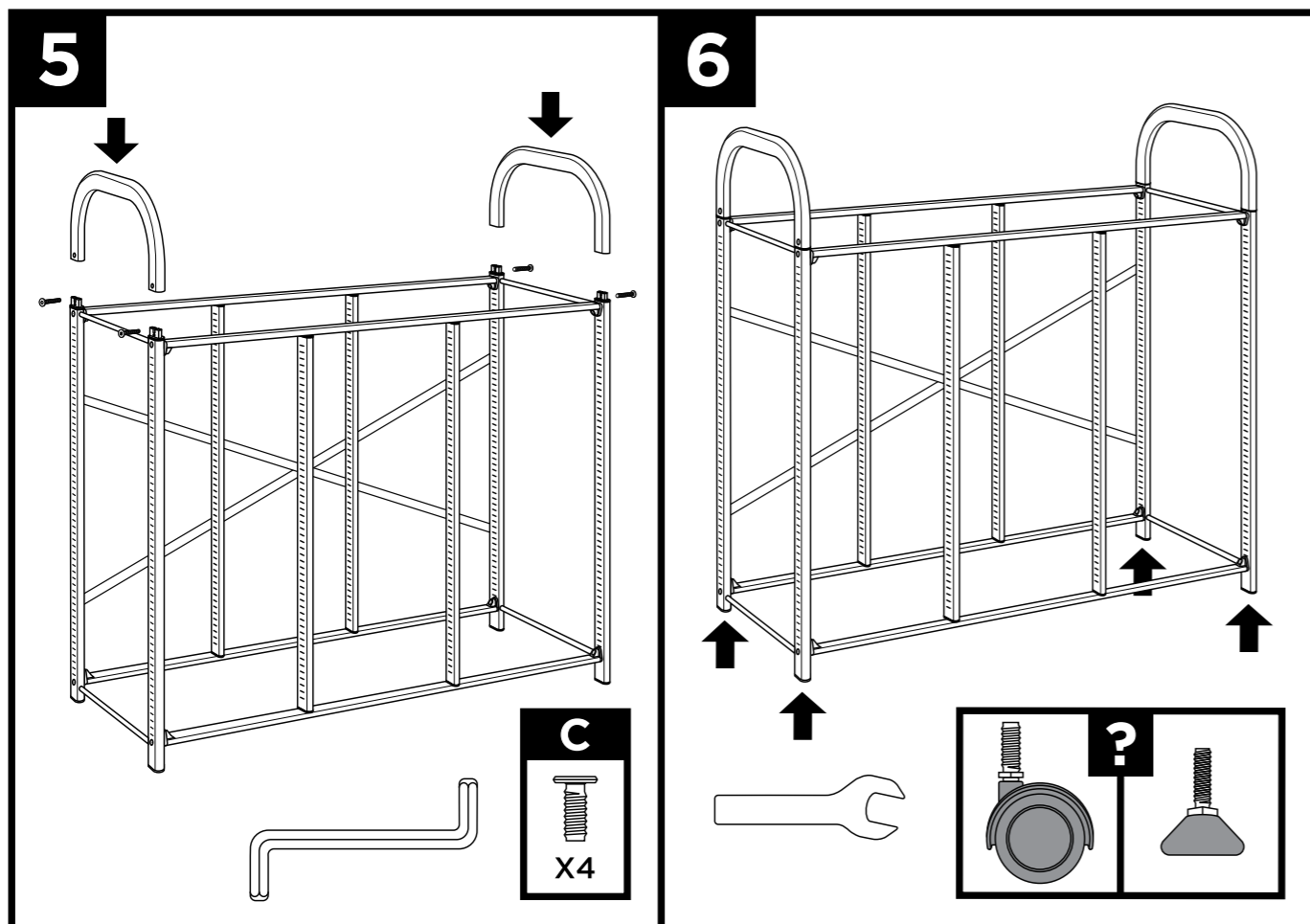
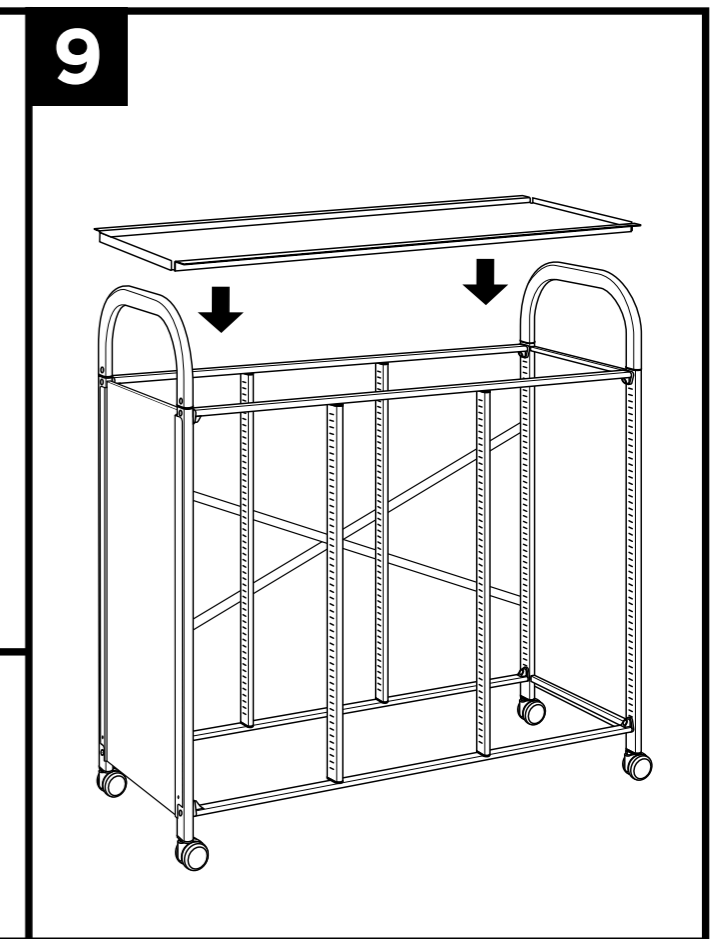
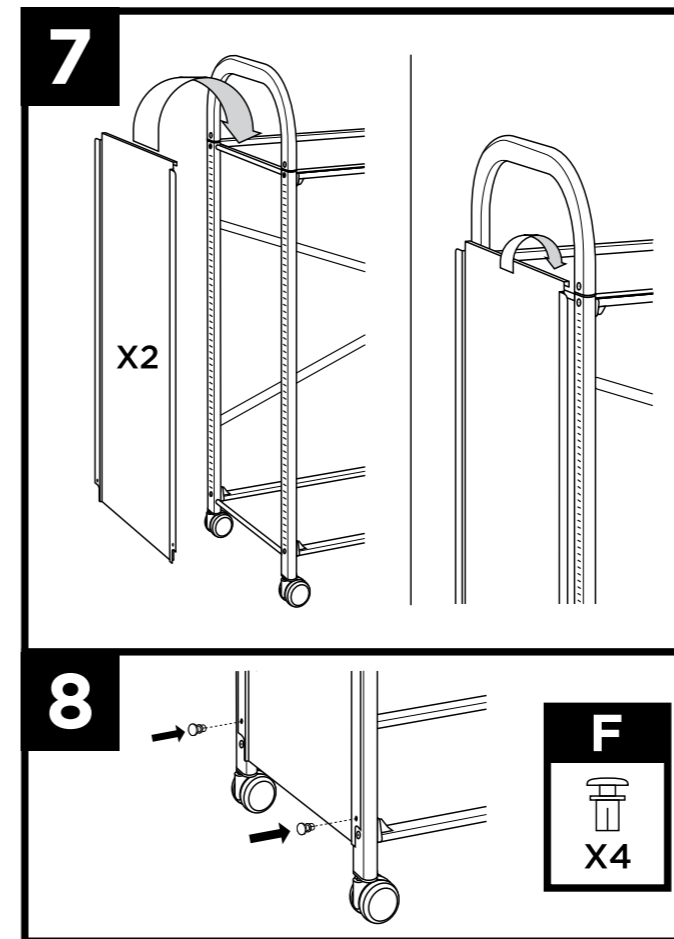
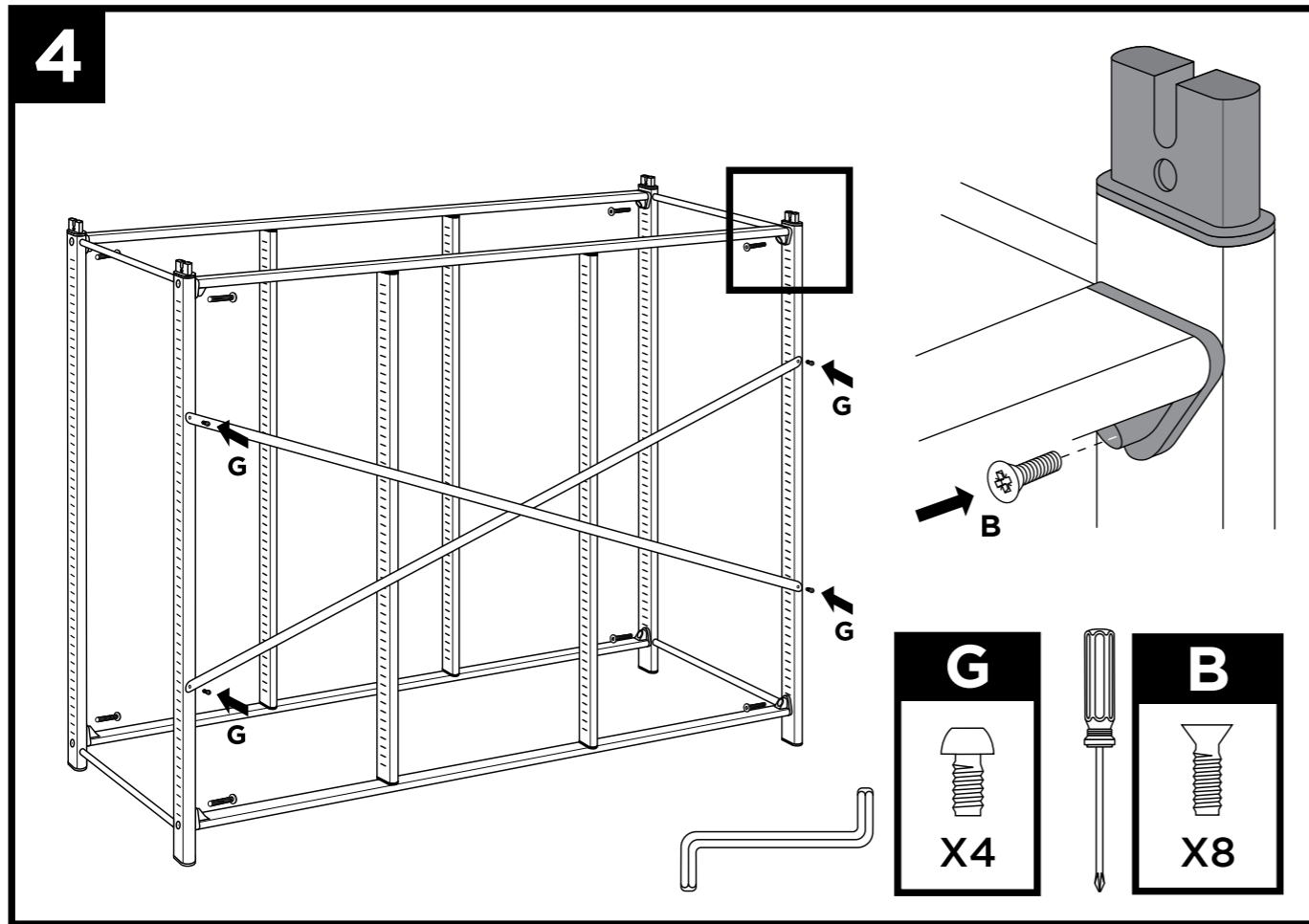
BOX C

1

2

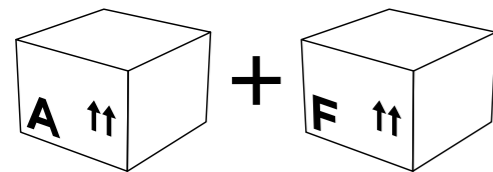
3





Double Column Unit

Dimensions: 1030(H) x 695(W) x 430mm(D).



BOX A

X2 (Vertical Posts)
 X2 (Side Panels)
 X2 (Handles)
 X1 (Bracket)
 X4 (Screws C)
 X4 (Screws F)
 X8 (Screws A)
 X4 (Casters)
 X4 (Nuts)

BOX F

X2 (Vertical Posts)
 X1 (Shelf)
 X4 (Horizontal Bars)
 X2 (Horizontal Bars)
 X2 (L-shaped Brackets)
 X8 (Screws B)
 X4 (Screws E)
 X4 (Screws G)

1

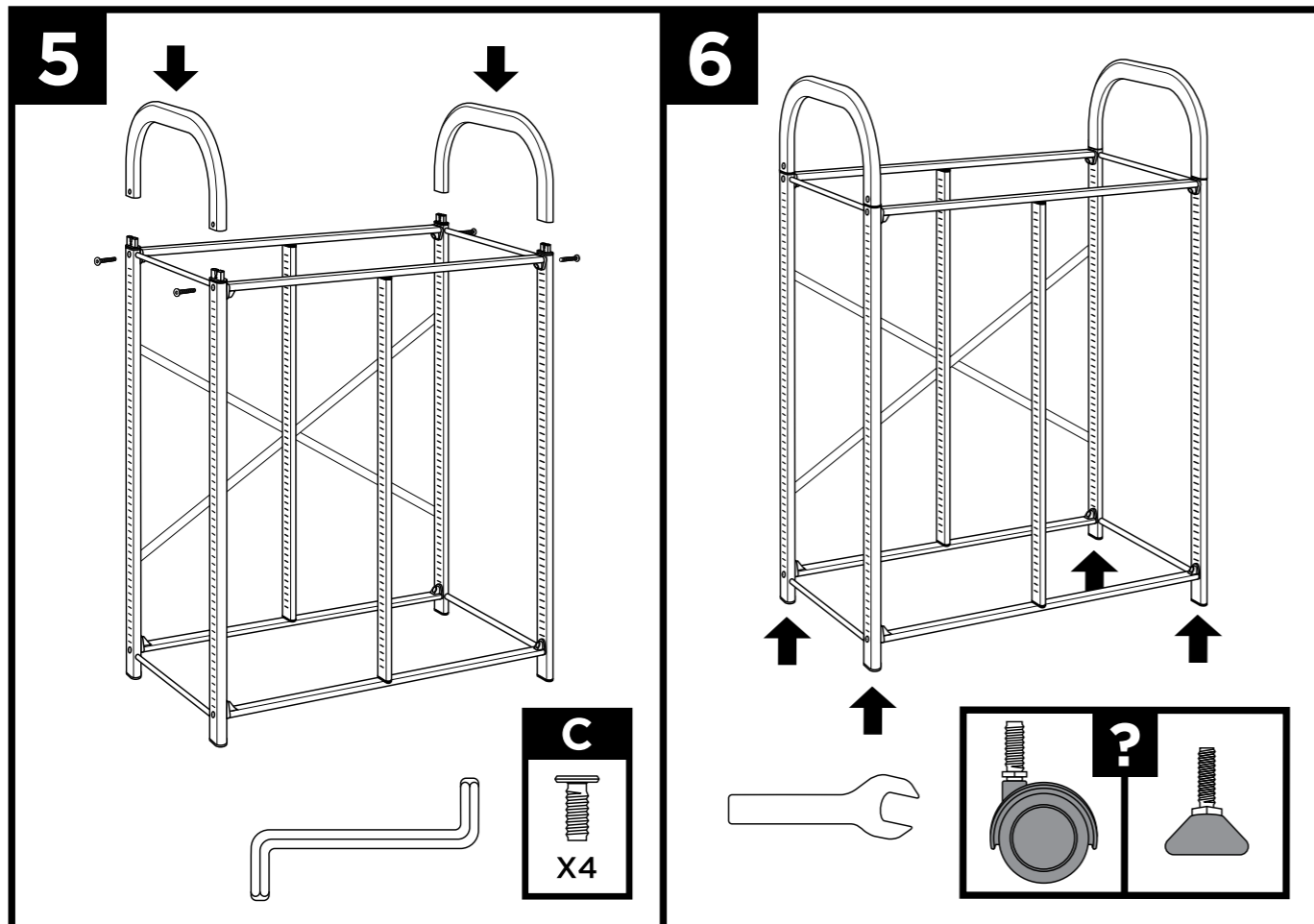
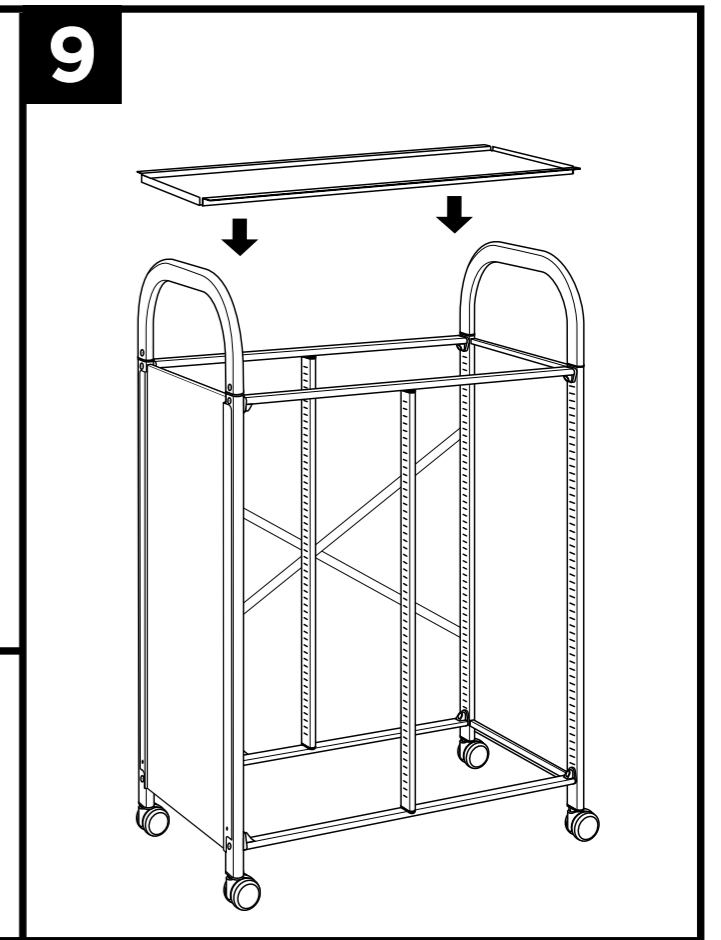
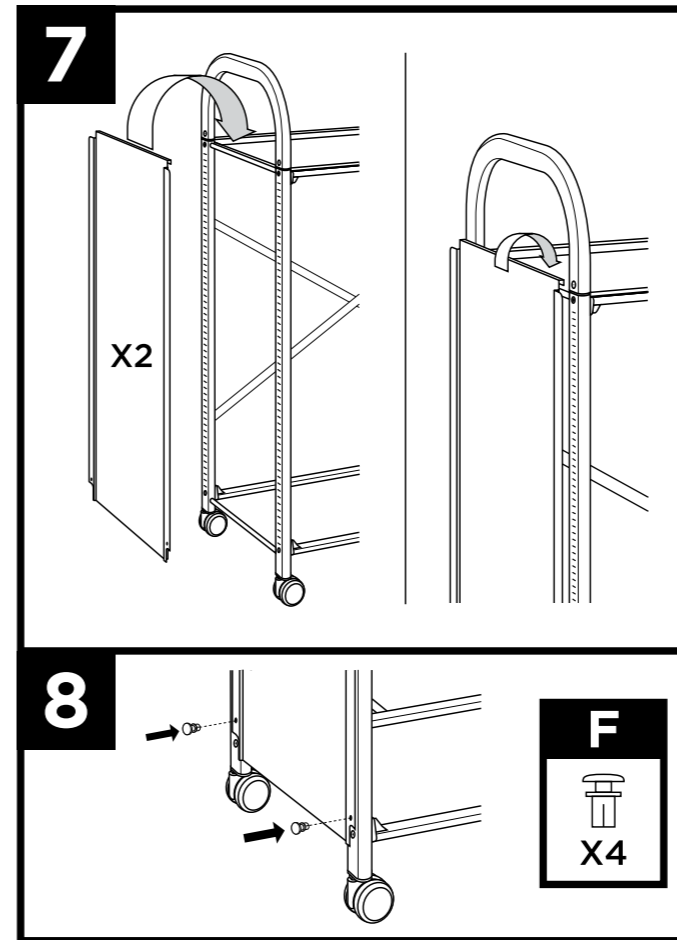
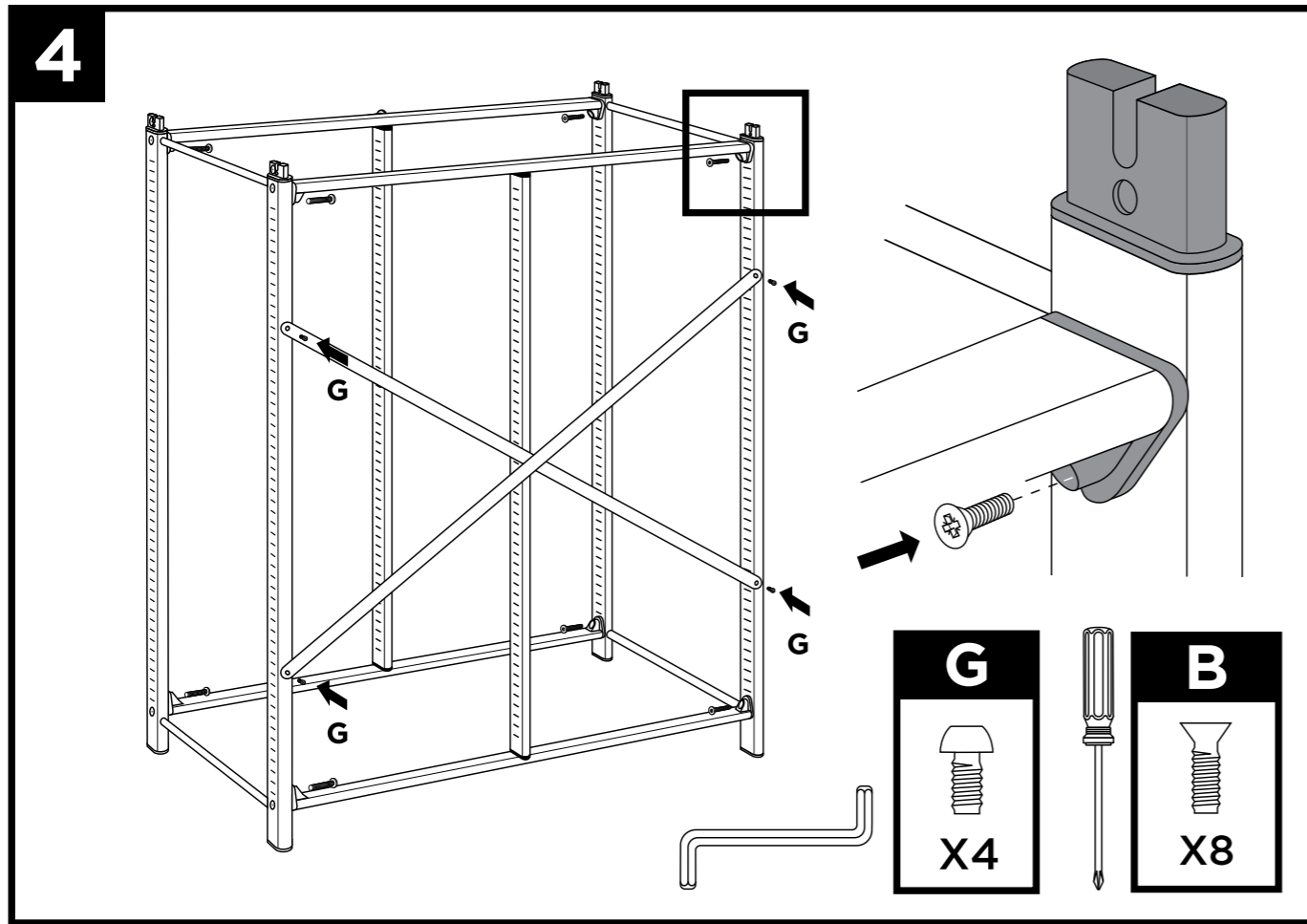
E
X4

2

A
X4

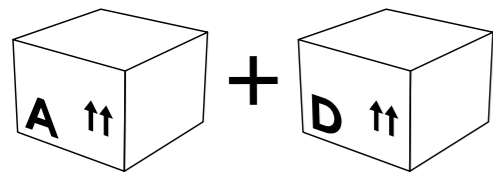
3

A
X4



Tilted Tray Unit

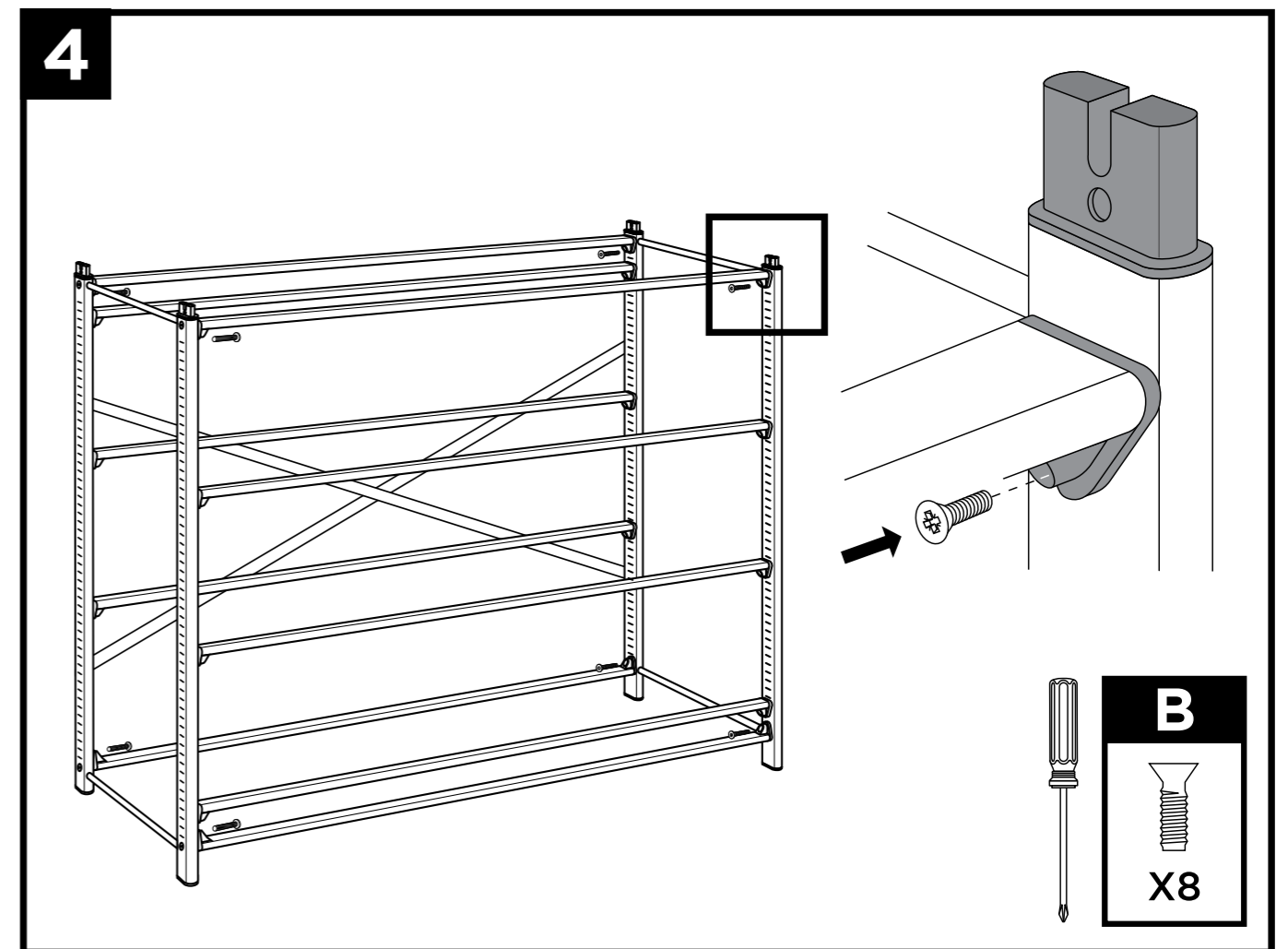
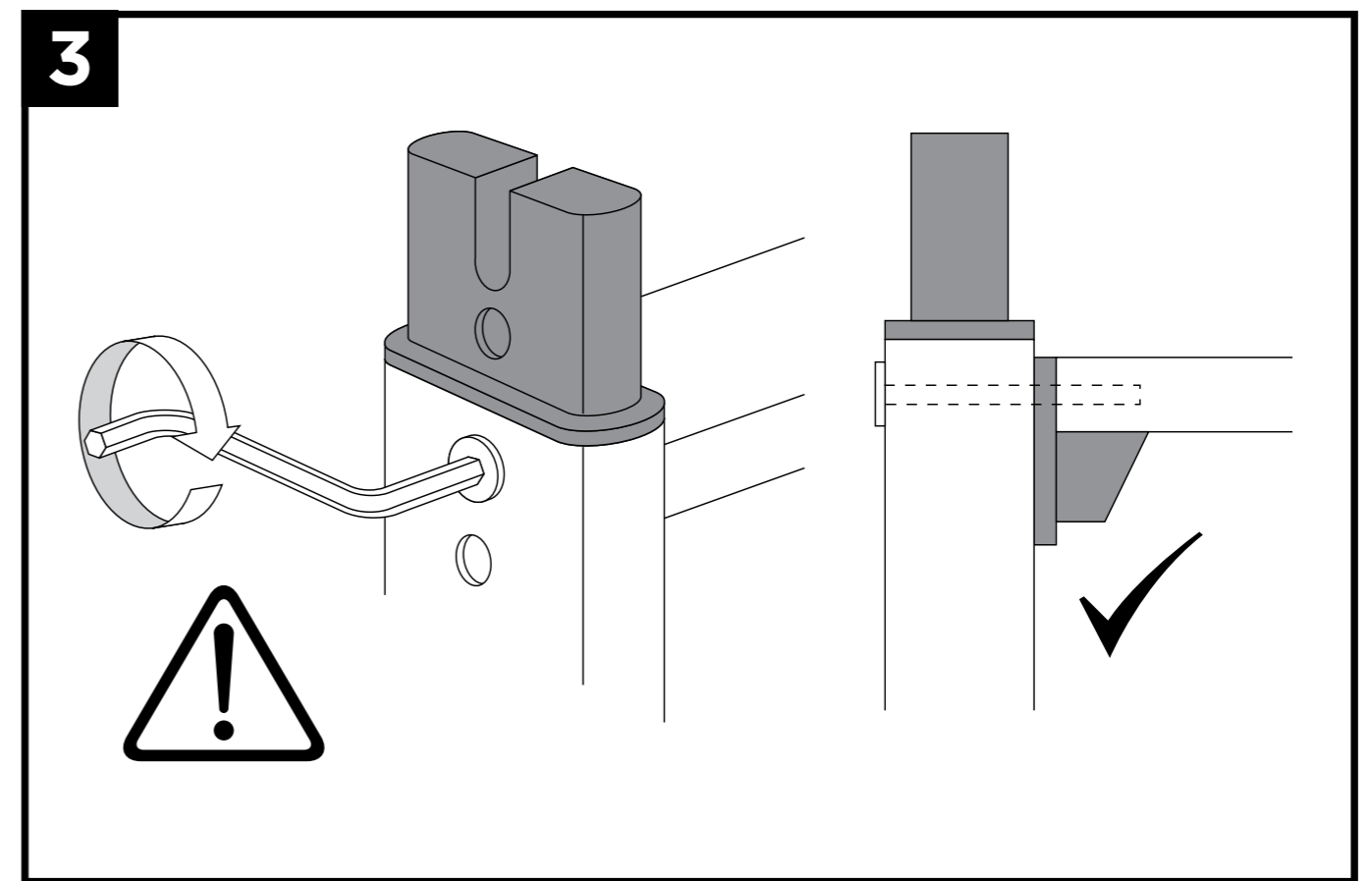
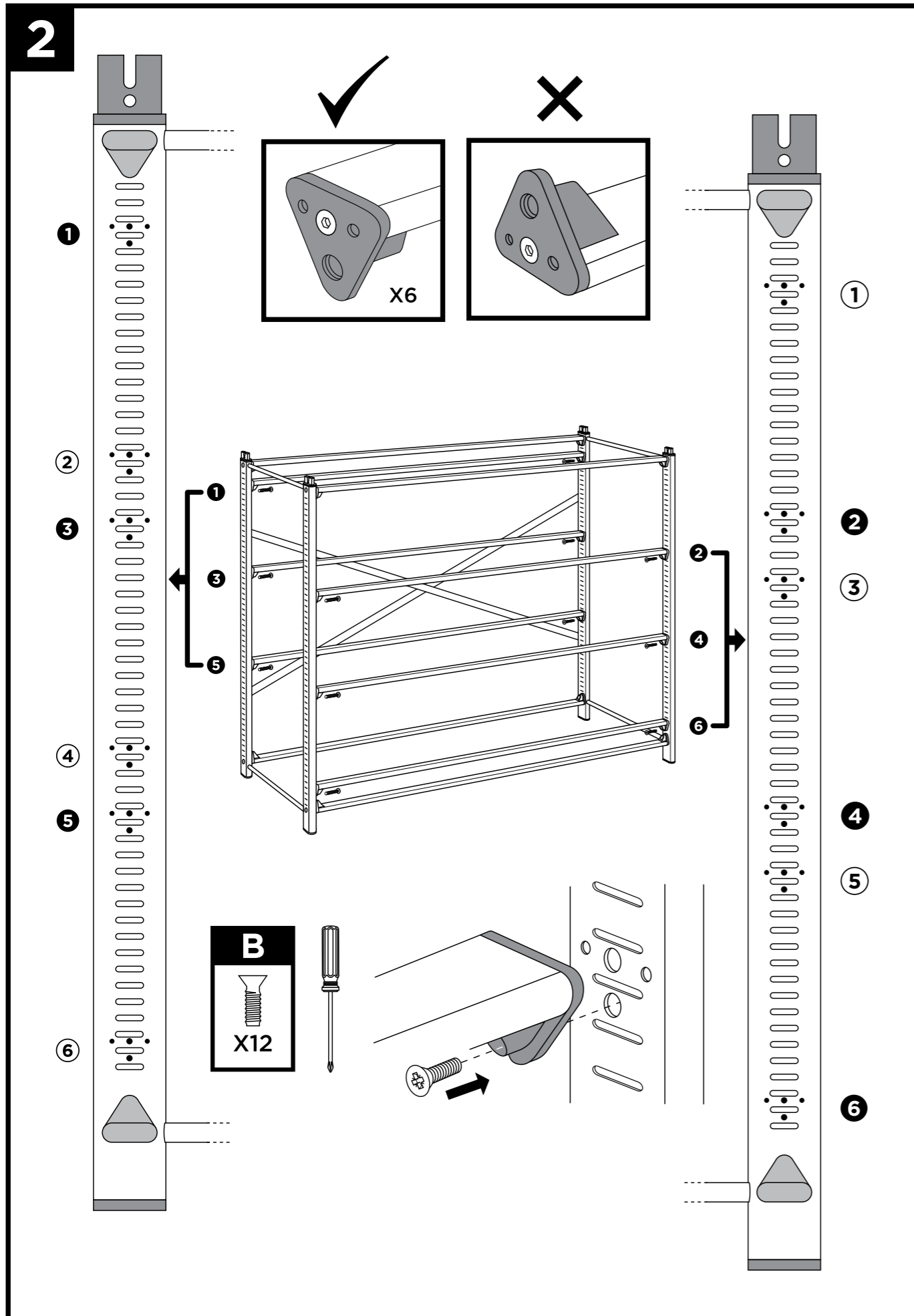
Dimensions: 1030(H) x 1025(W) x 430mm(D).

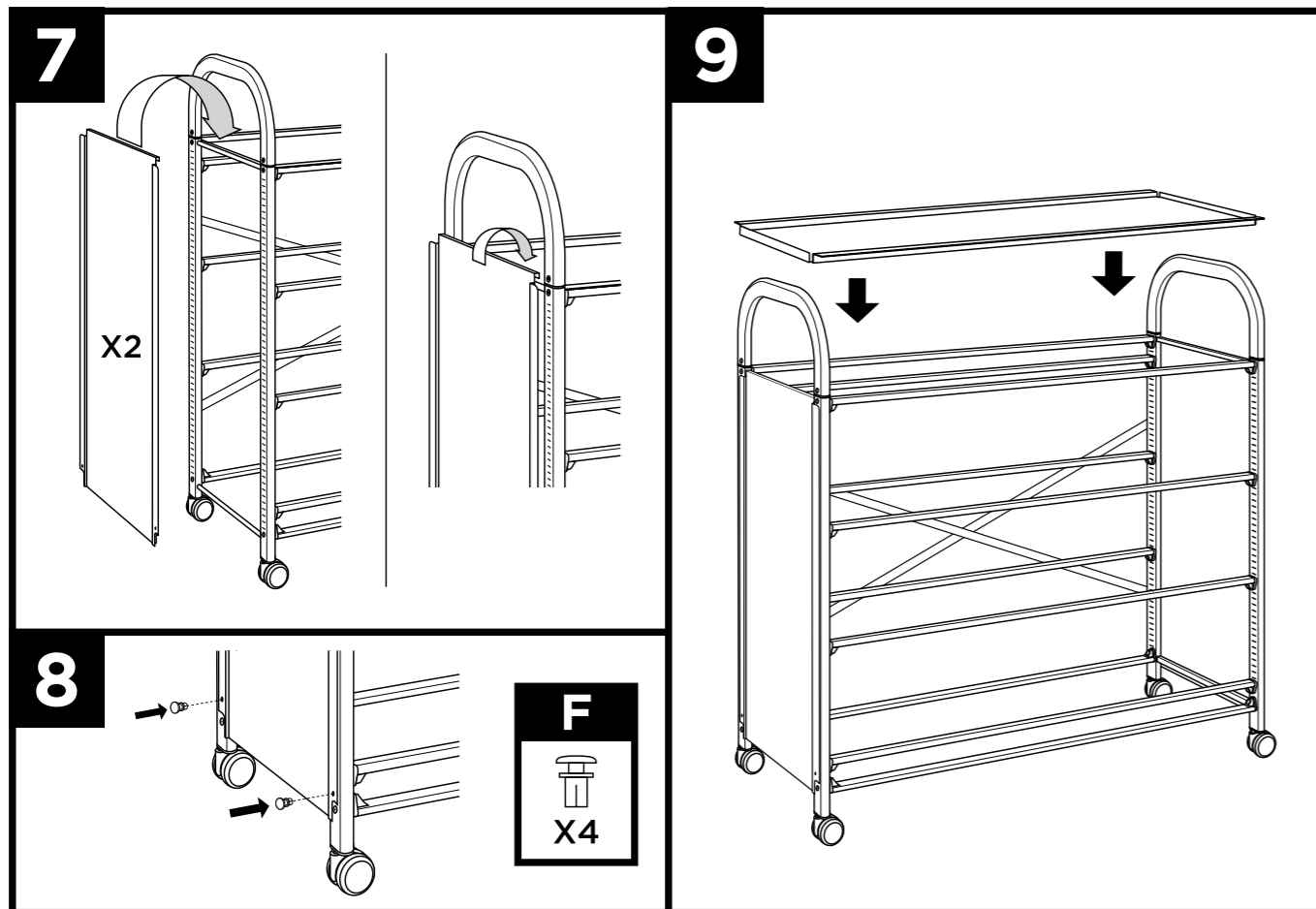
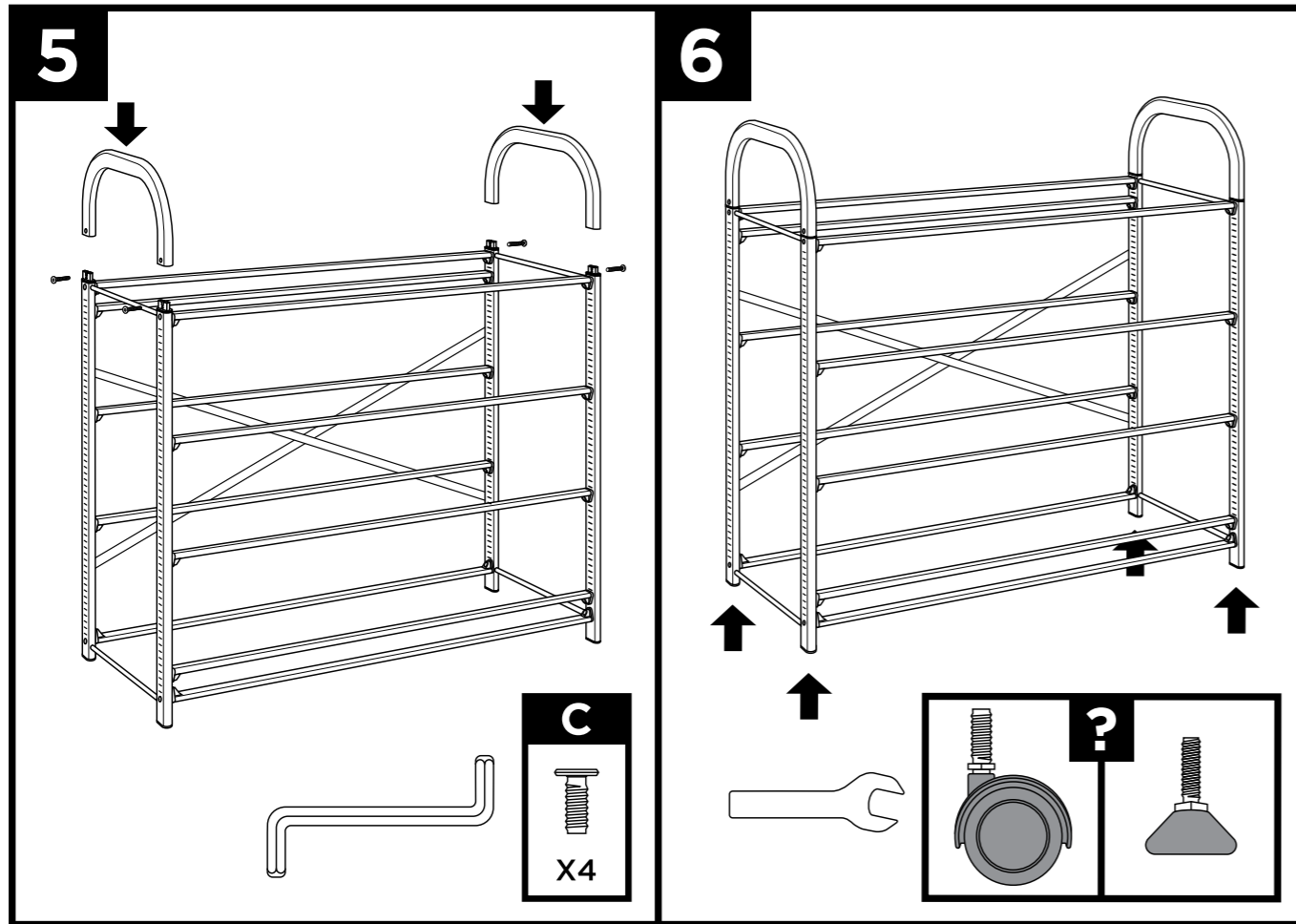


BOX A

BOX D

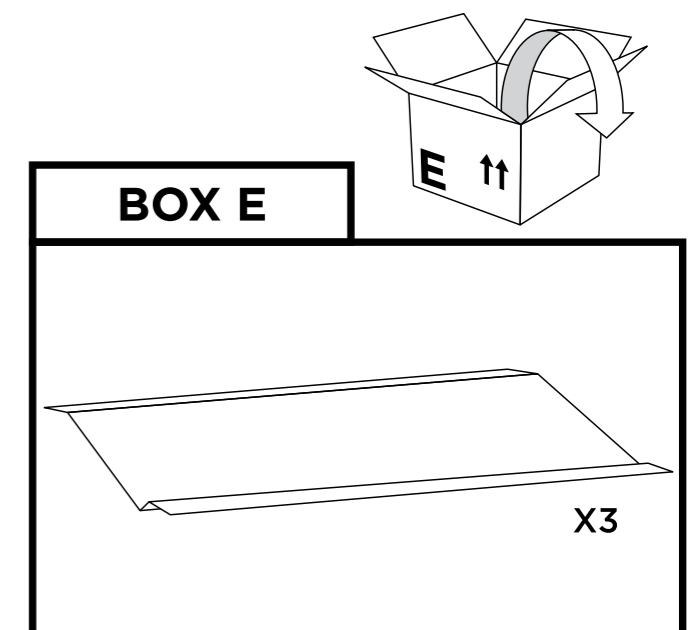
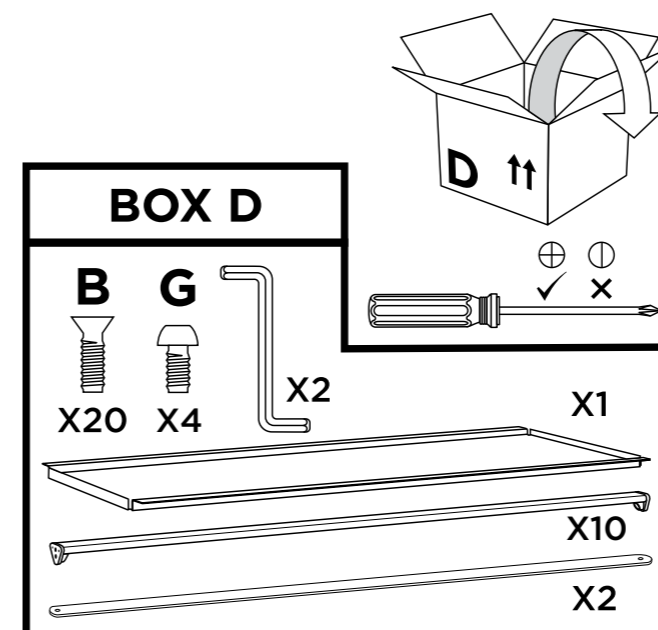
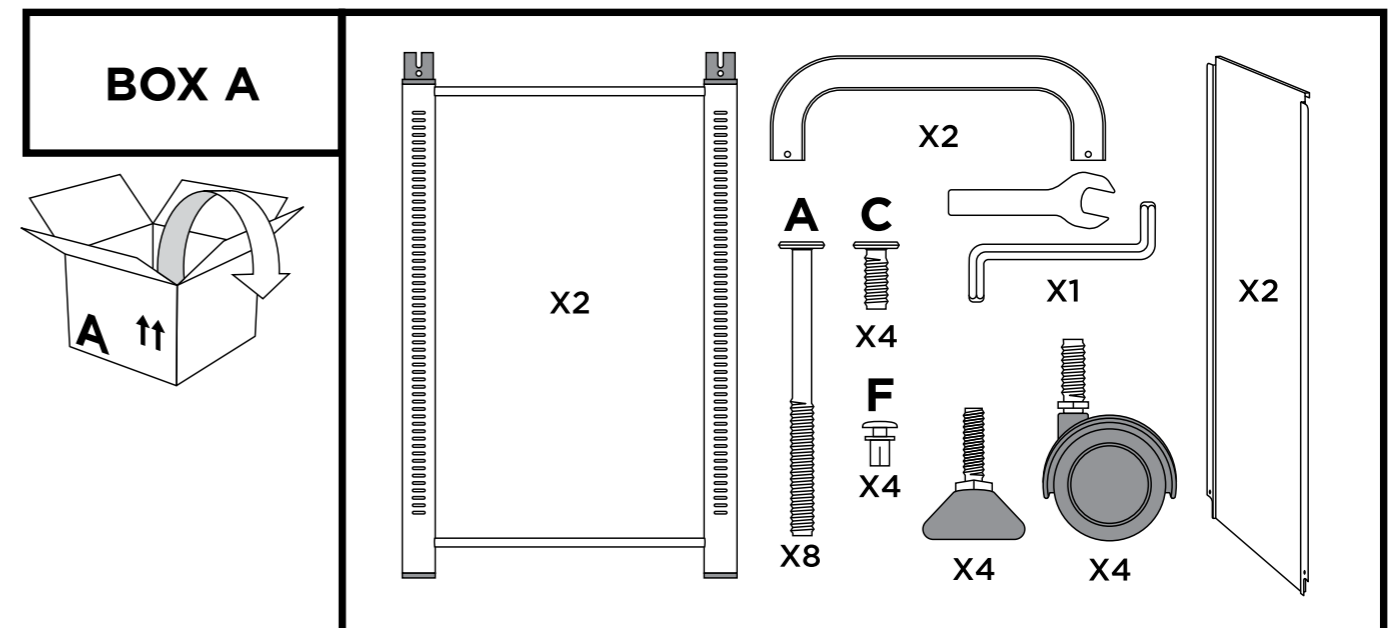
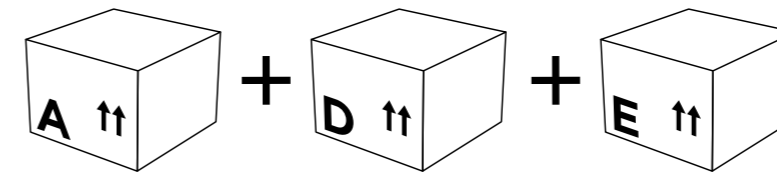
1

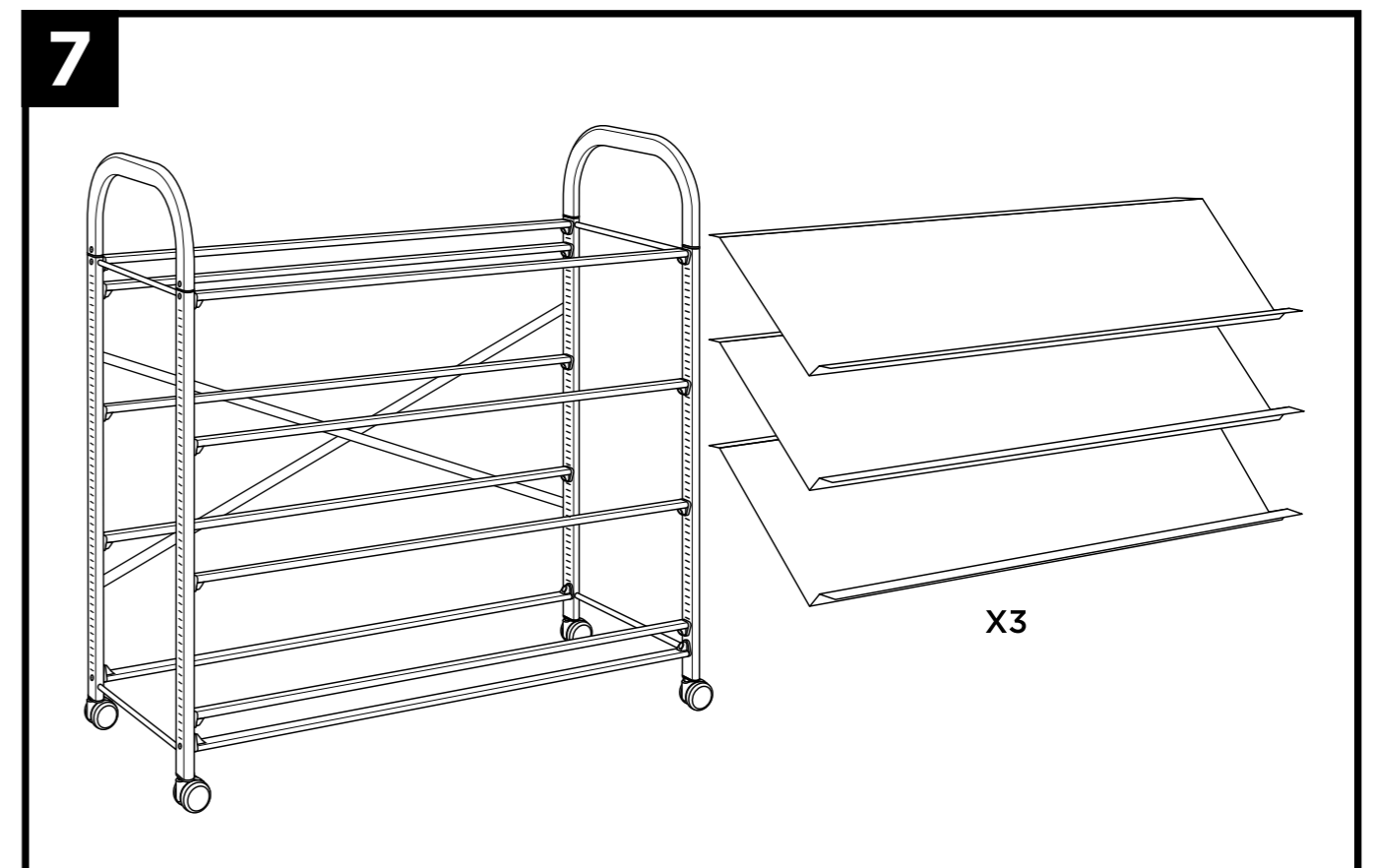
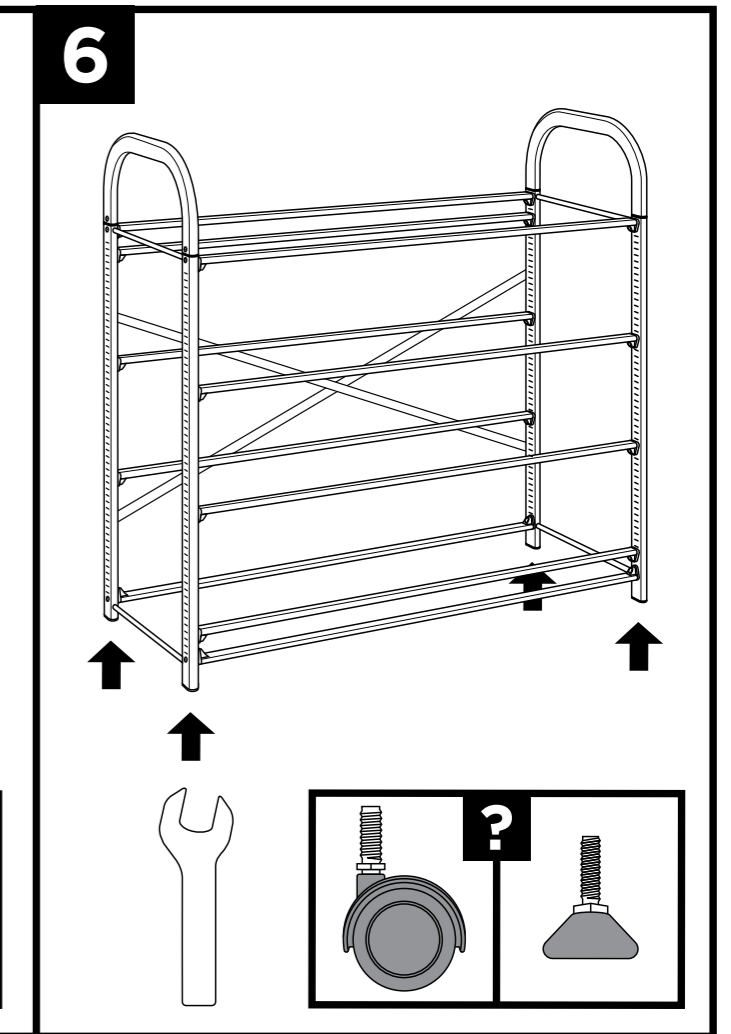
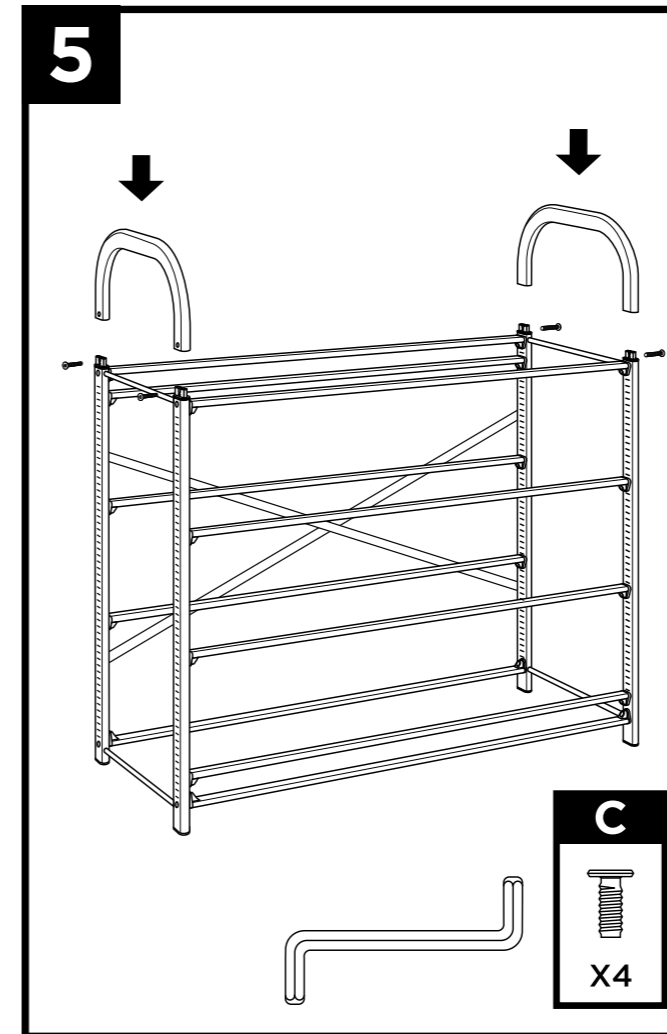
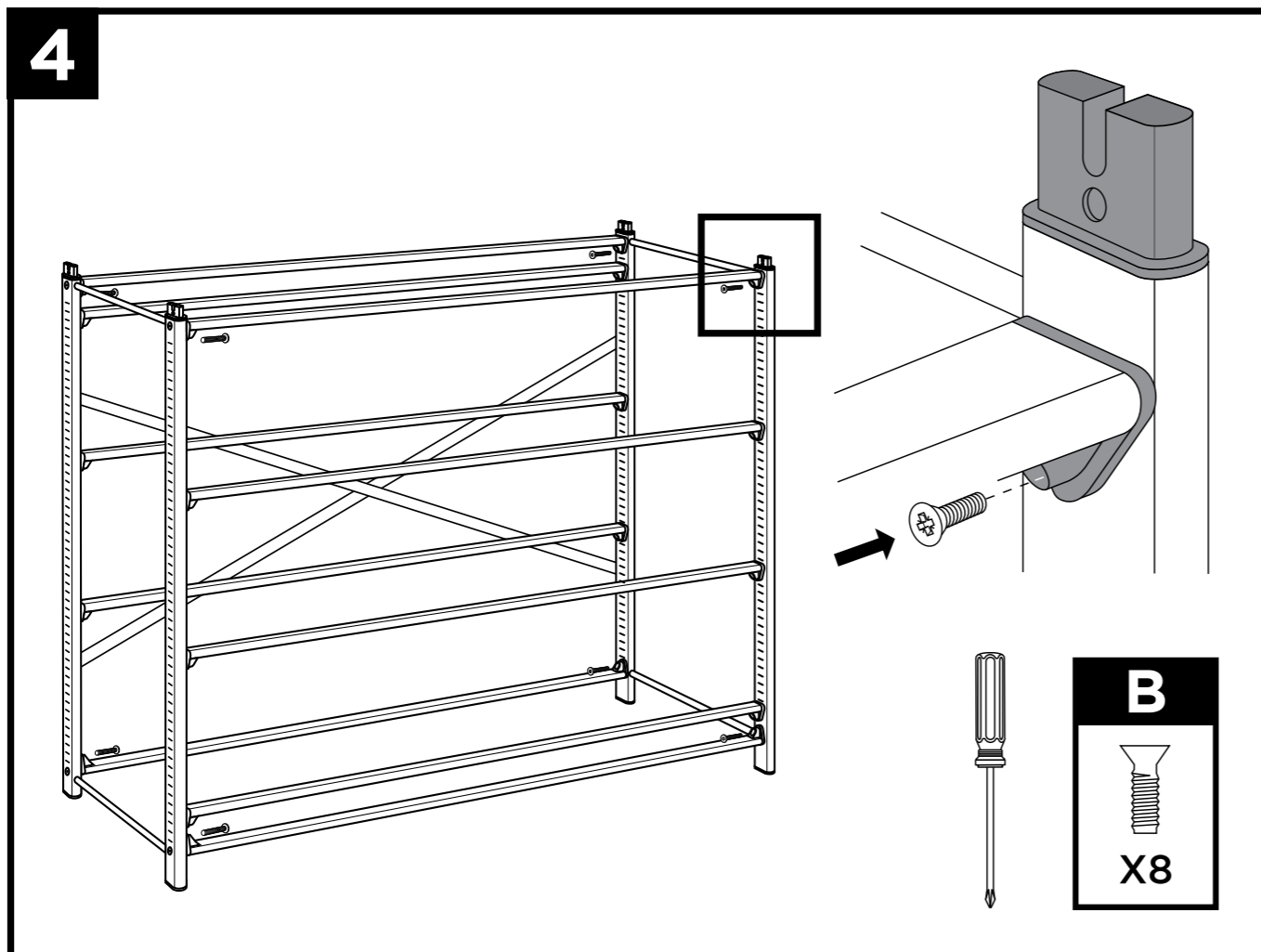
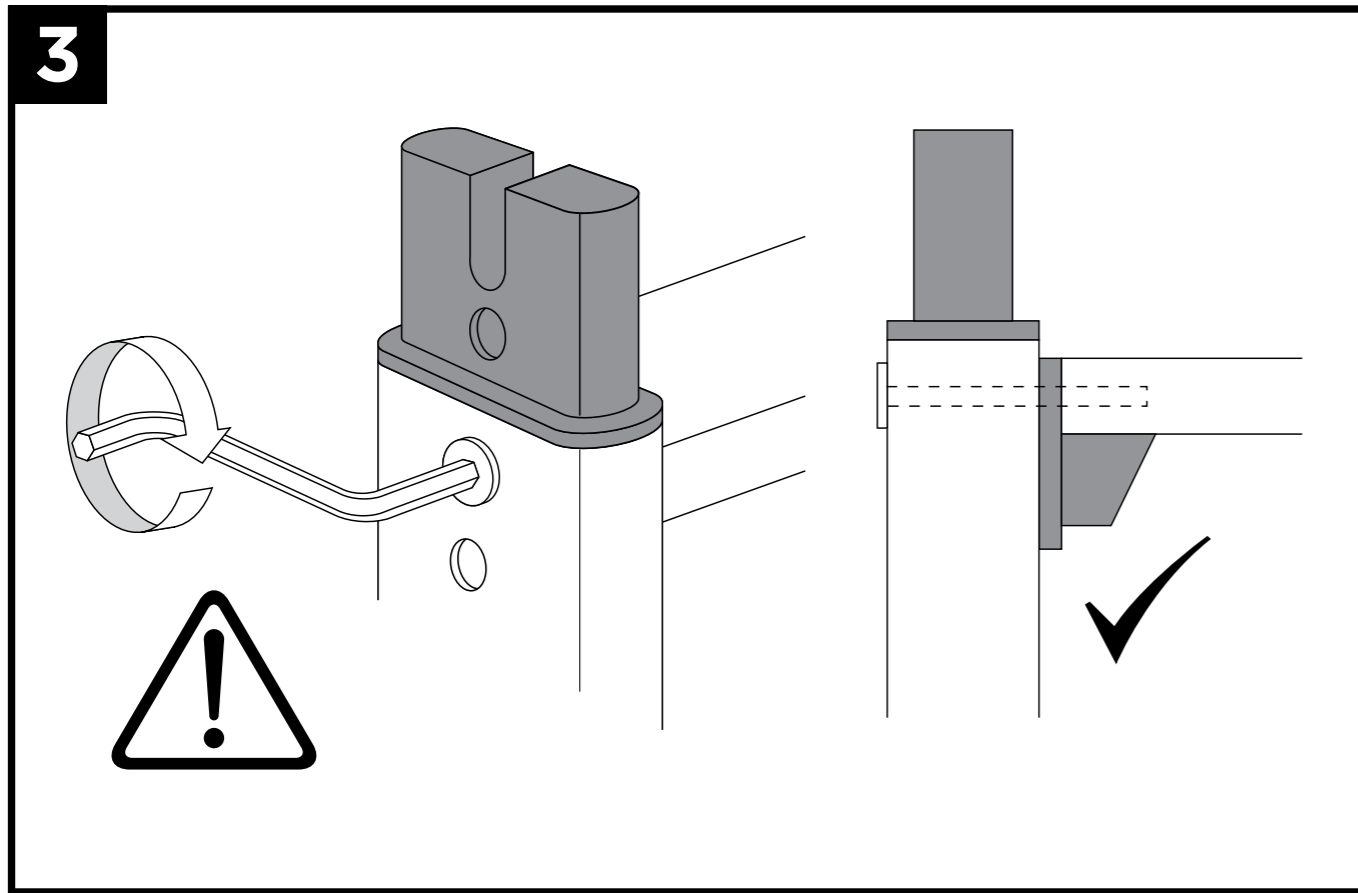


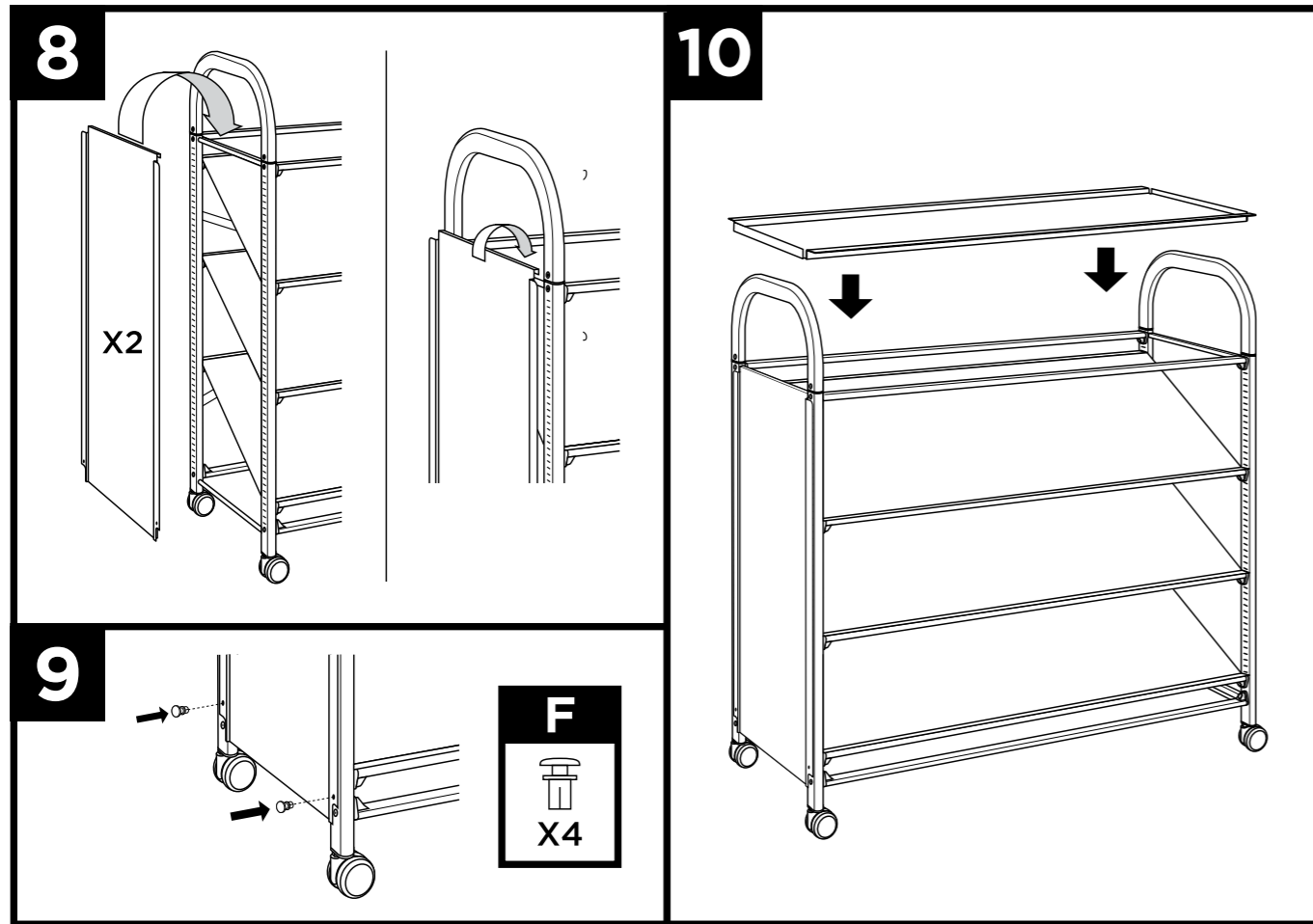


Tilted Shelf Unit

Dimensions: 1030(H) x 1025(W) x 430mm(D).

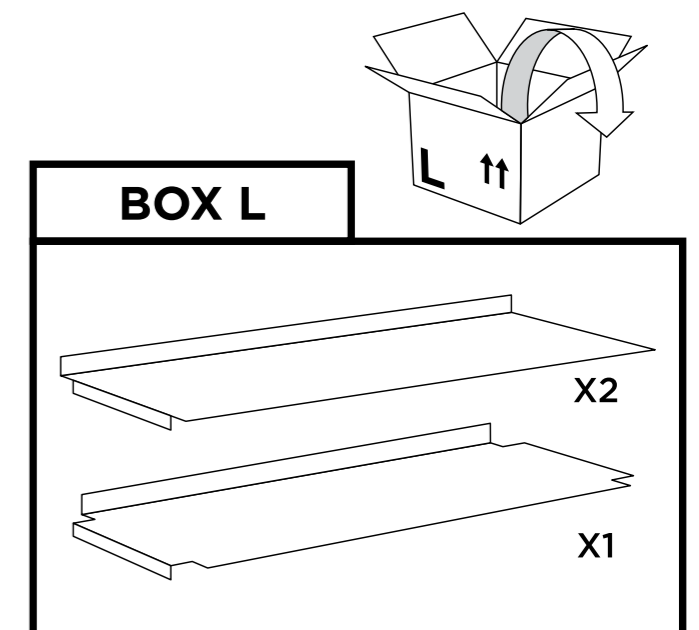
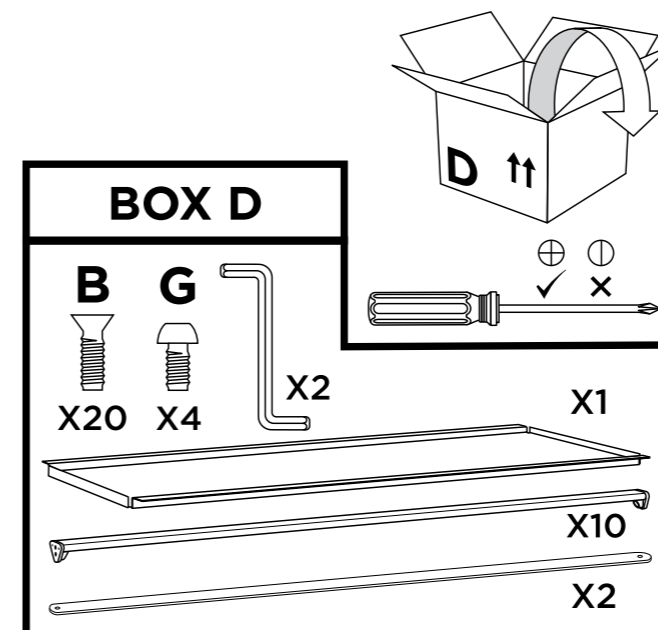
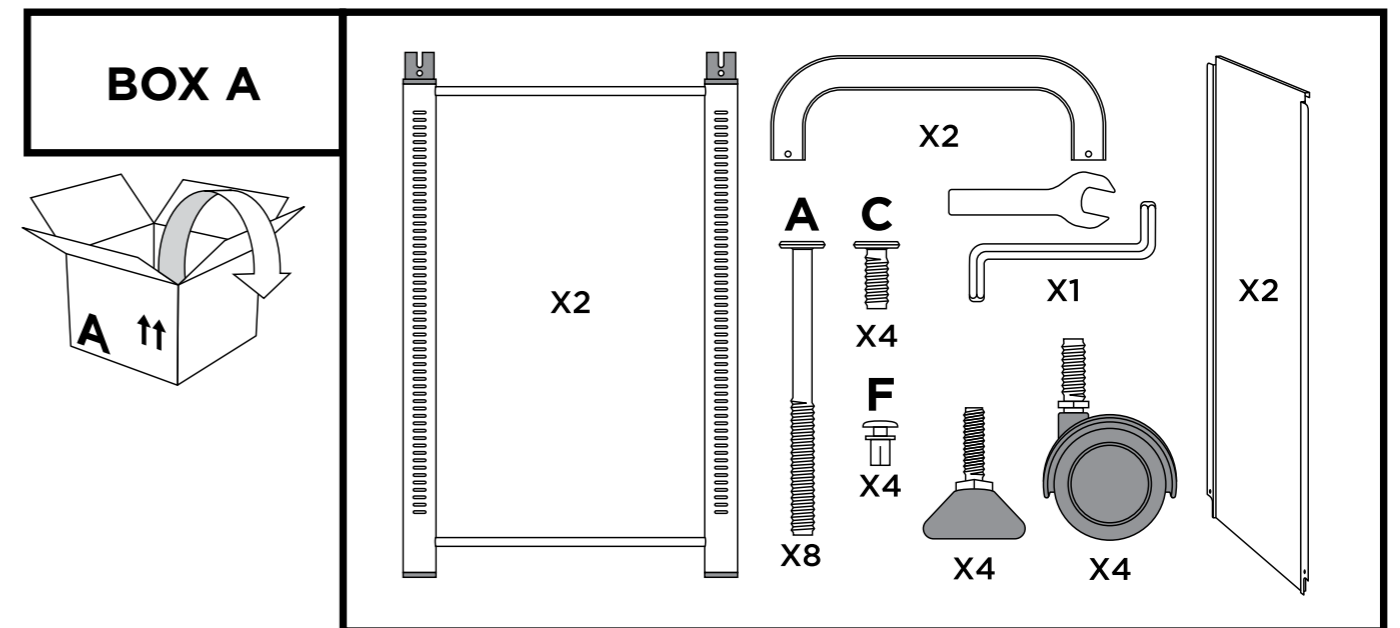
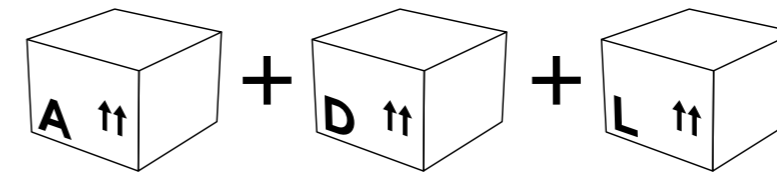


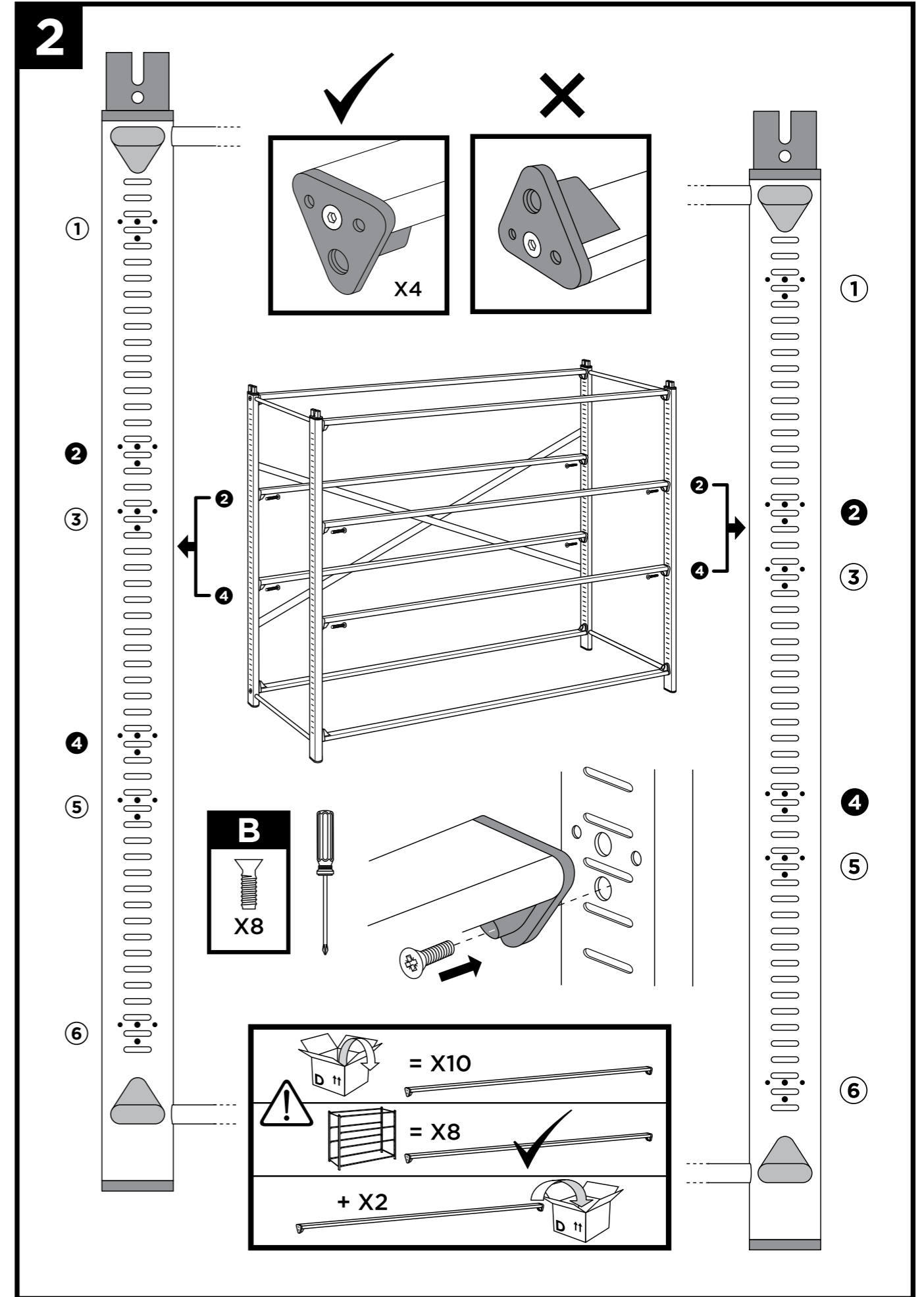
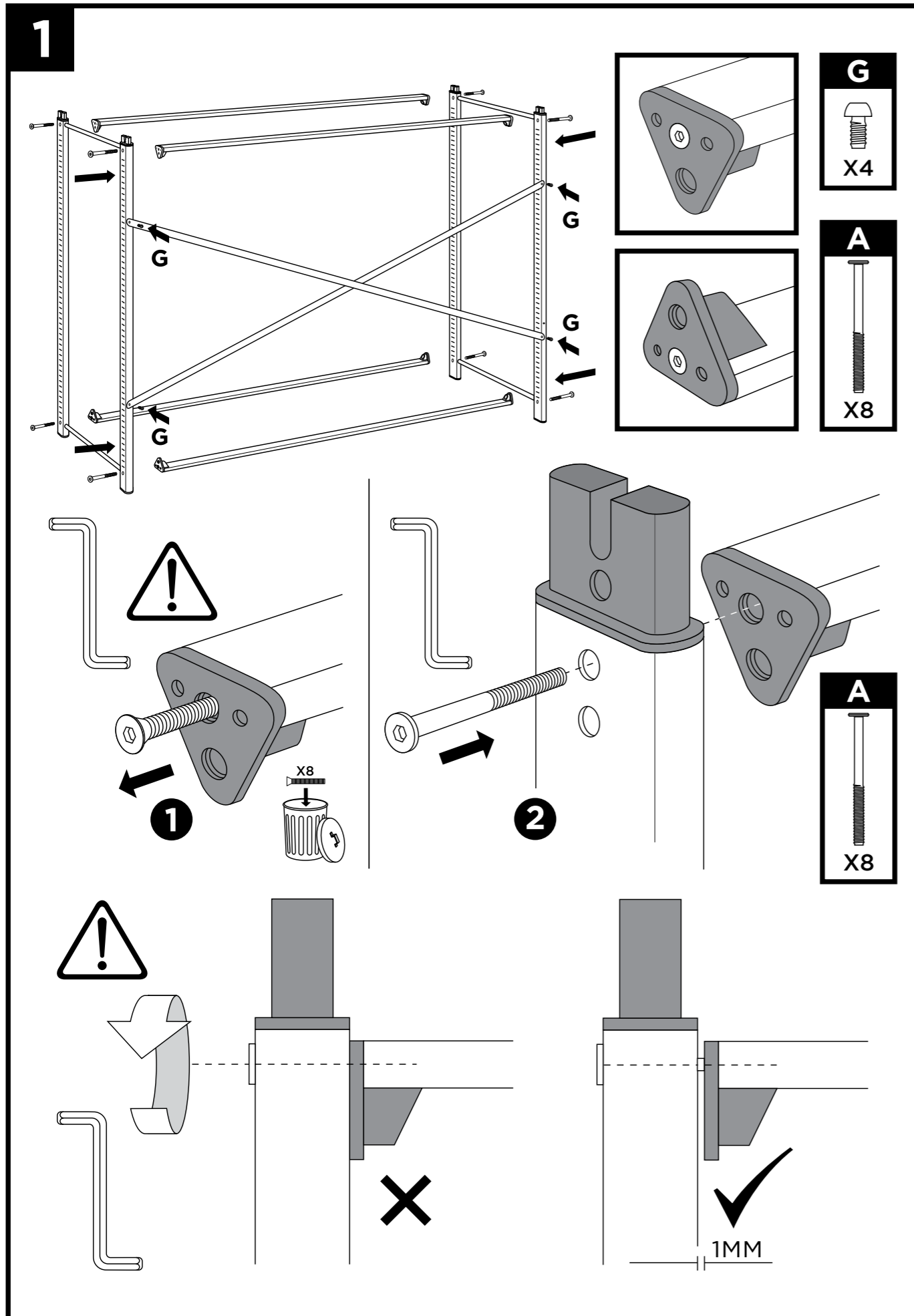


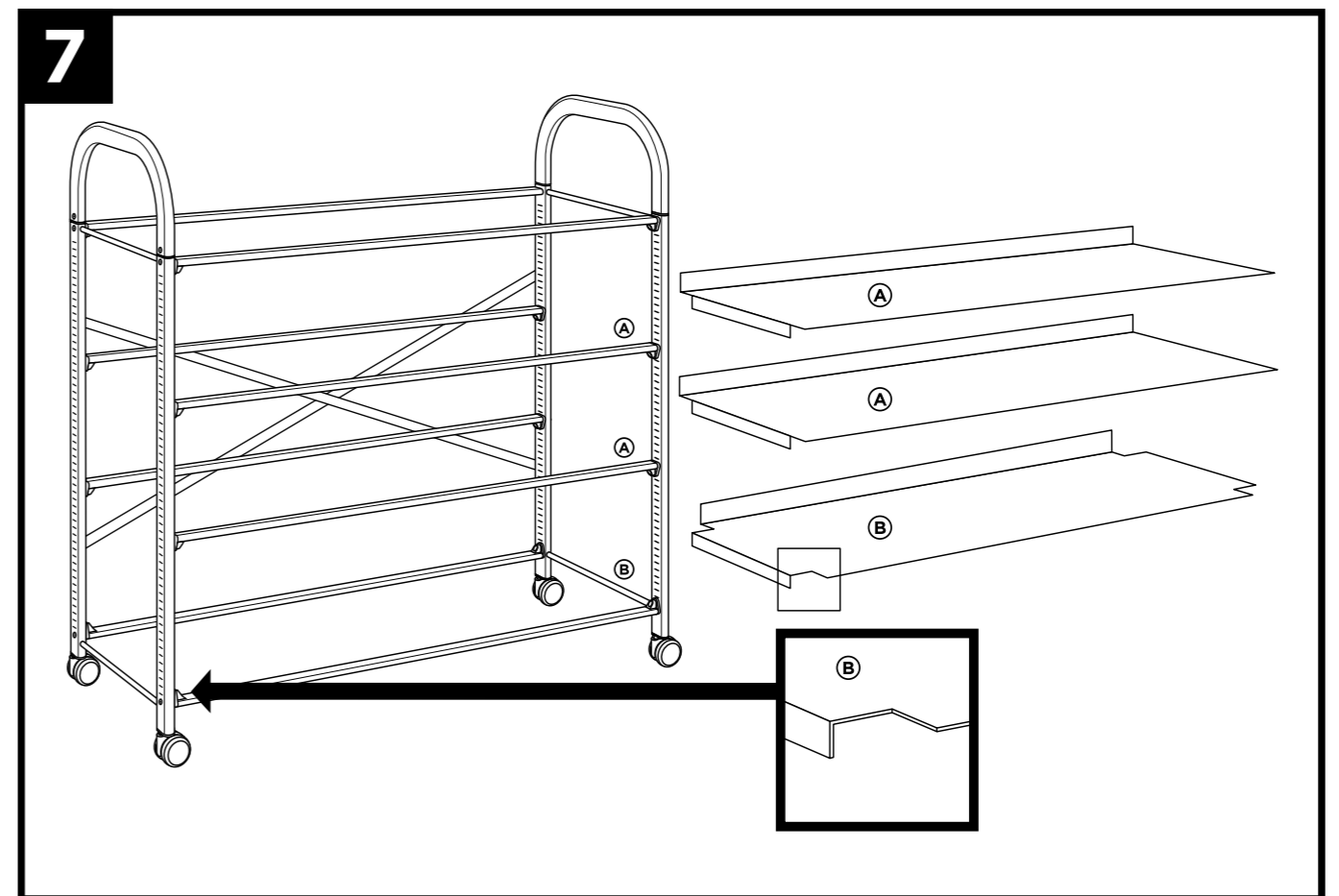
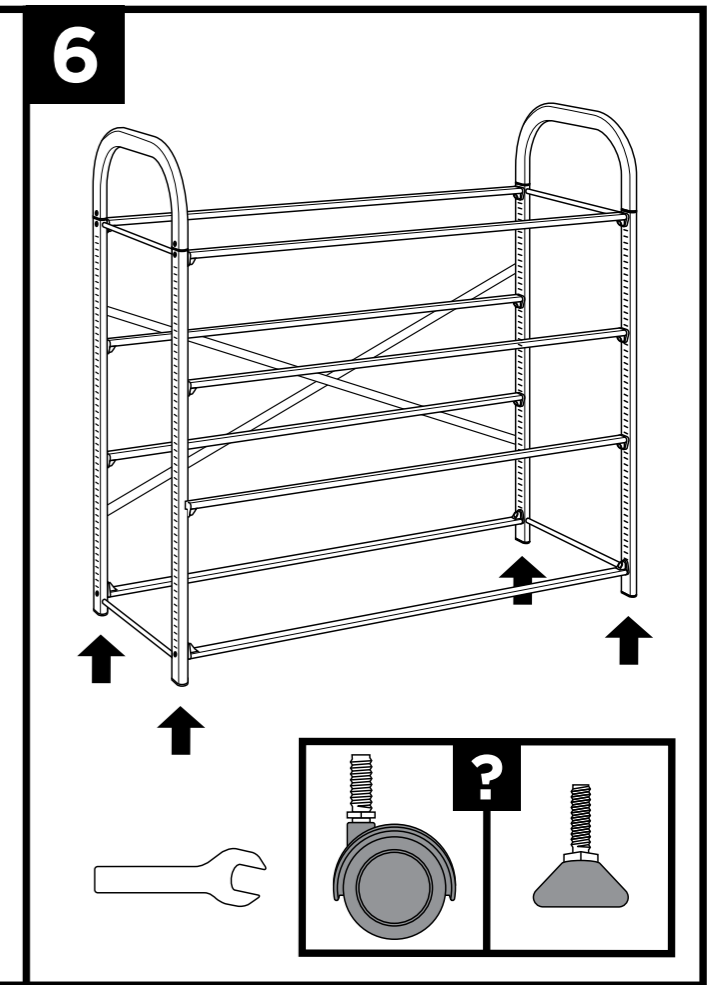
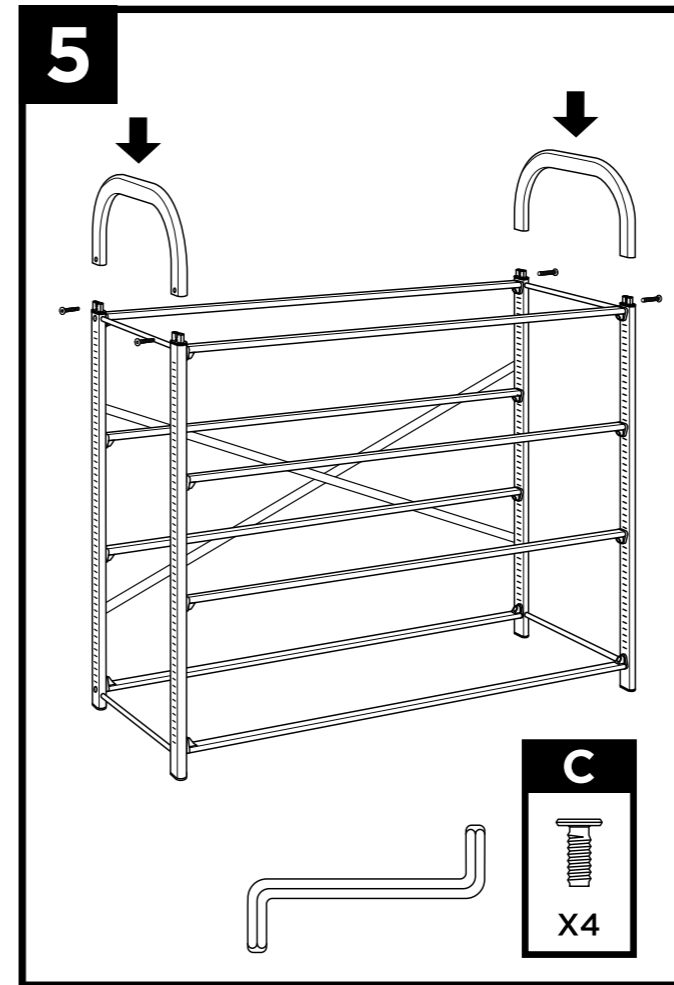
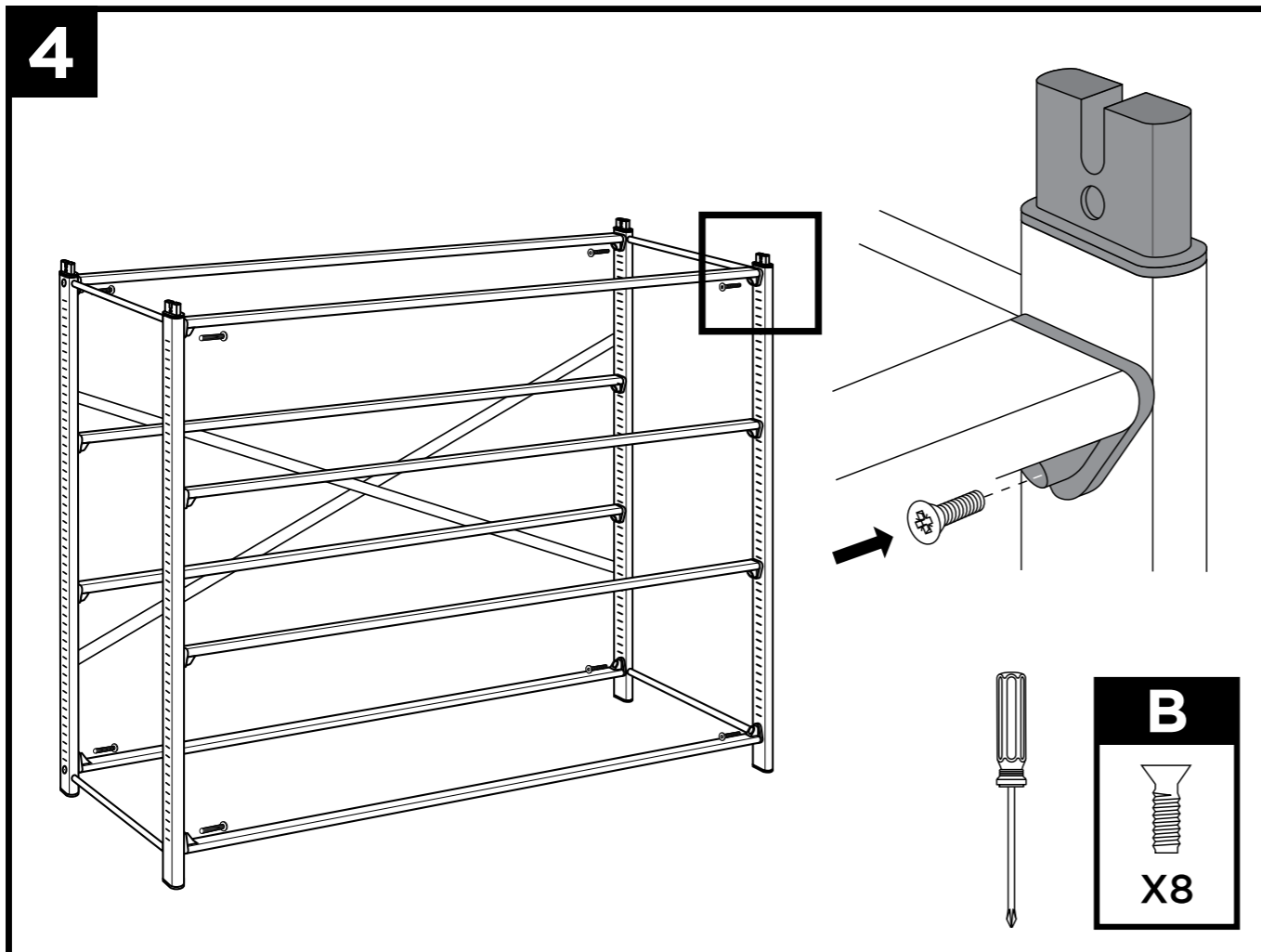
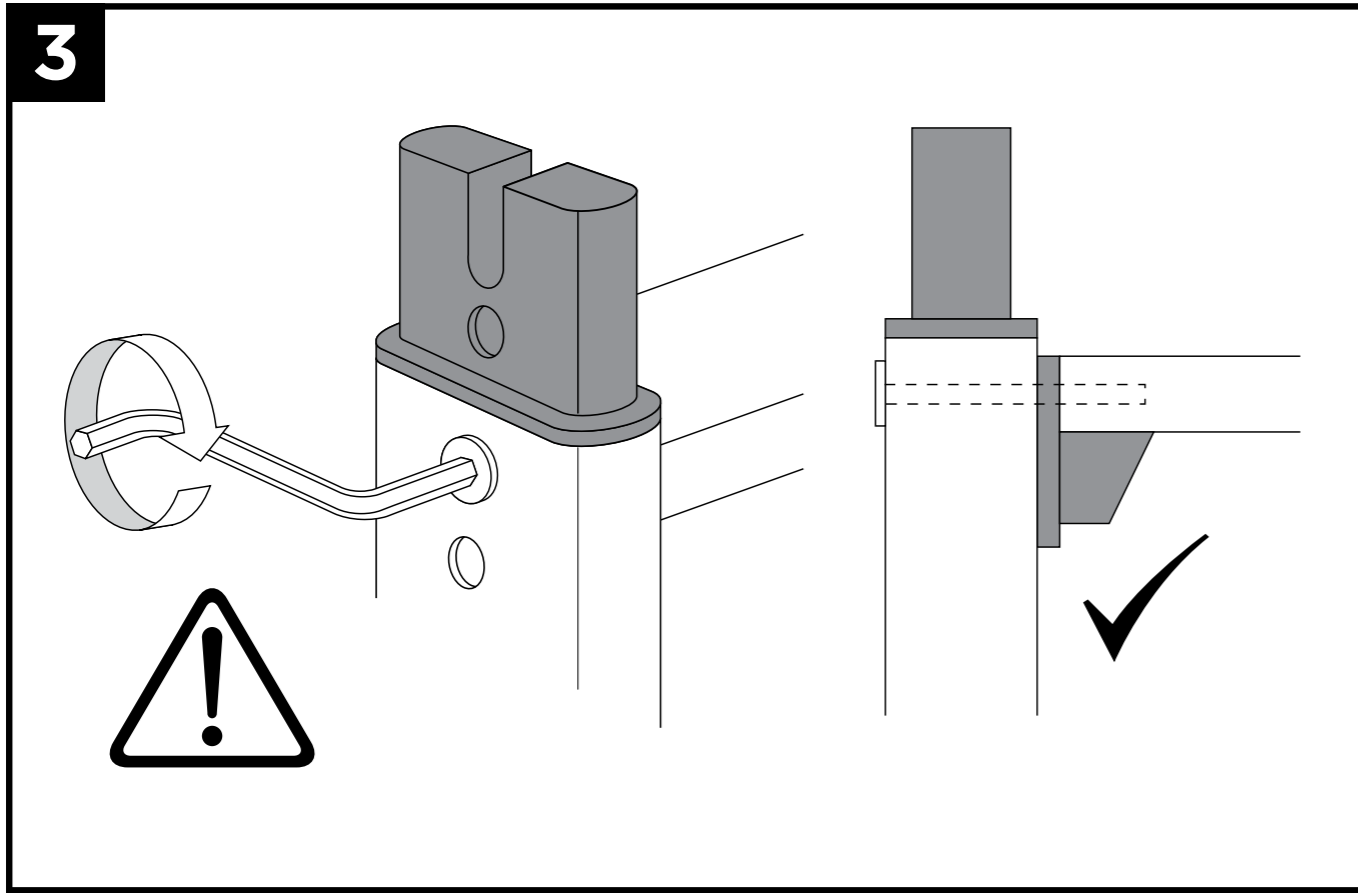


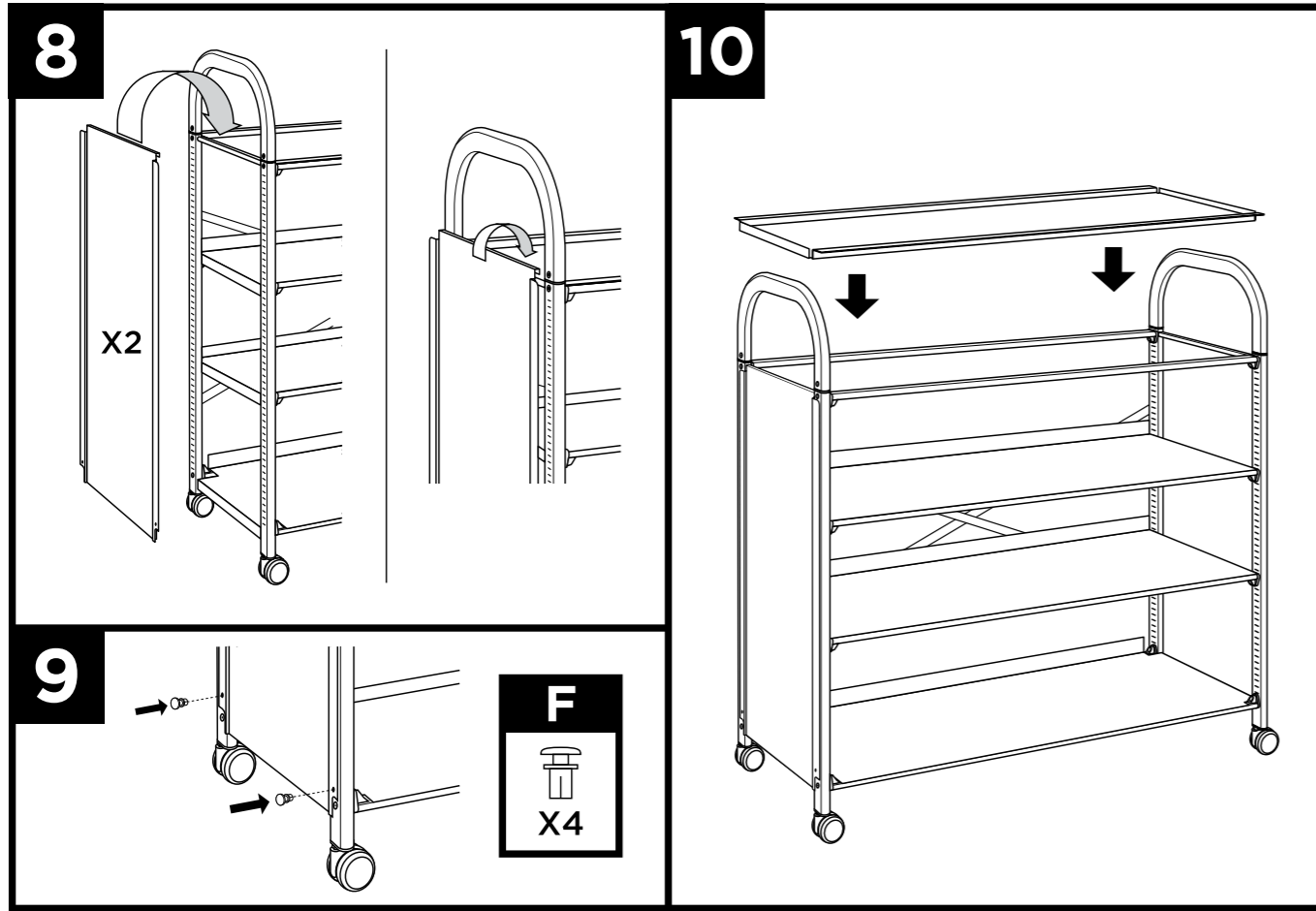
Flat Shelf Unit

Dimensions: 1030(H) x 1025(W) x 430mm(D).



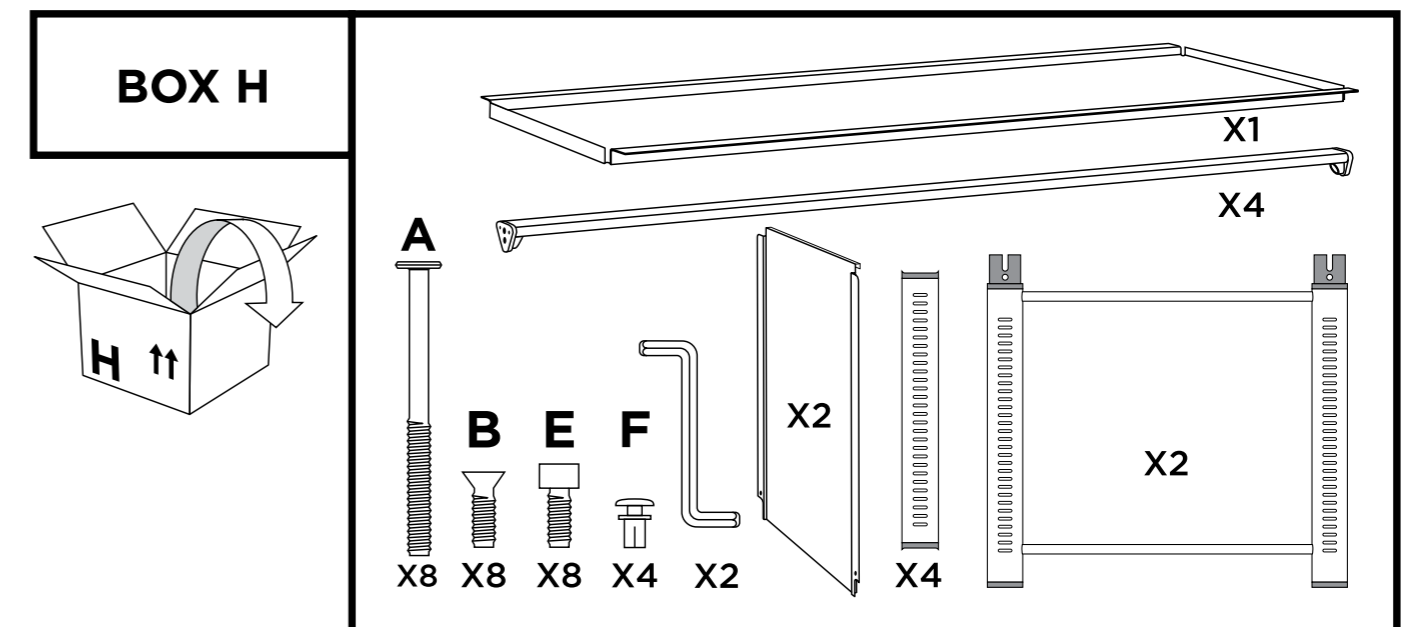
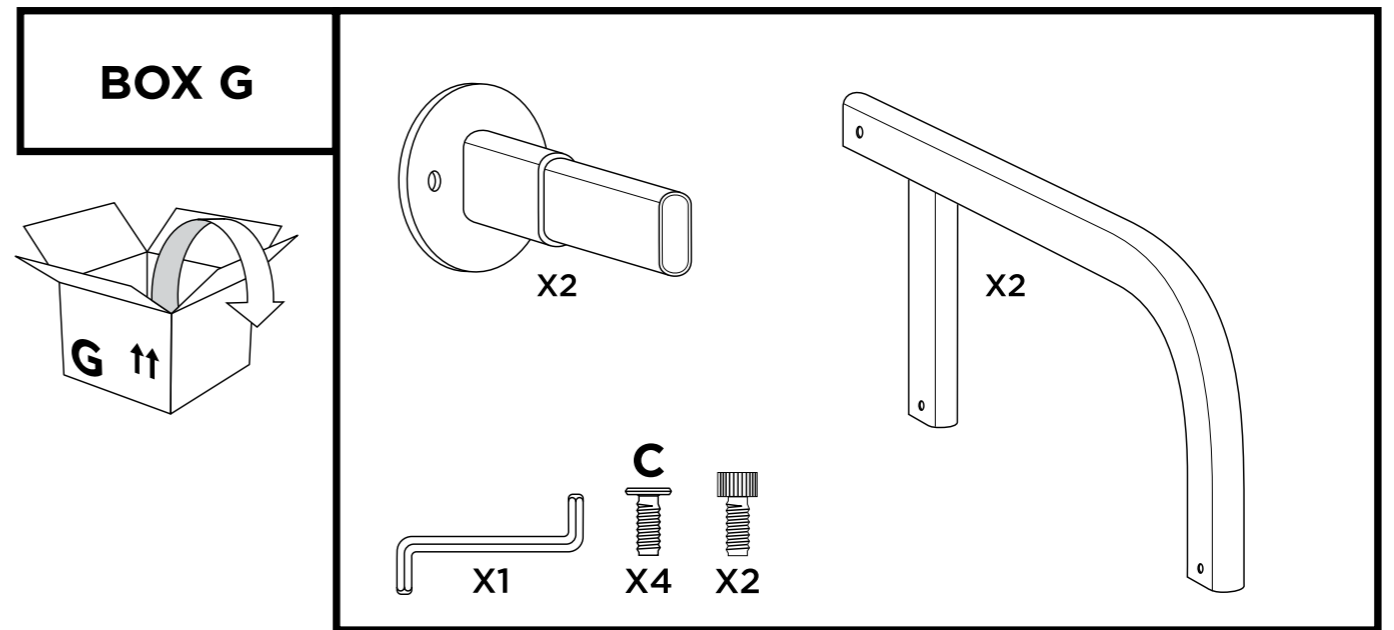
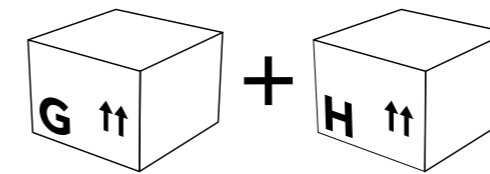
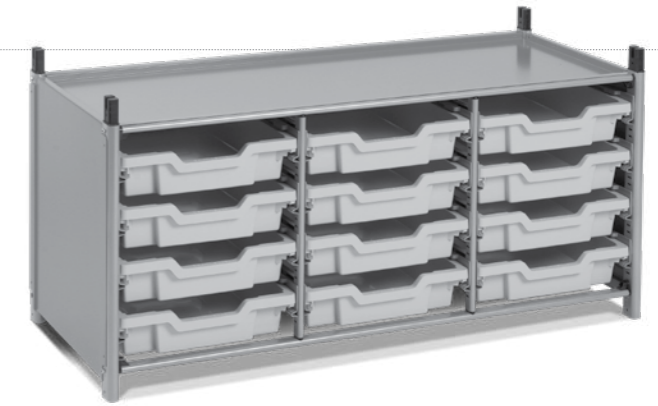


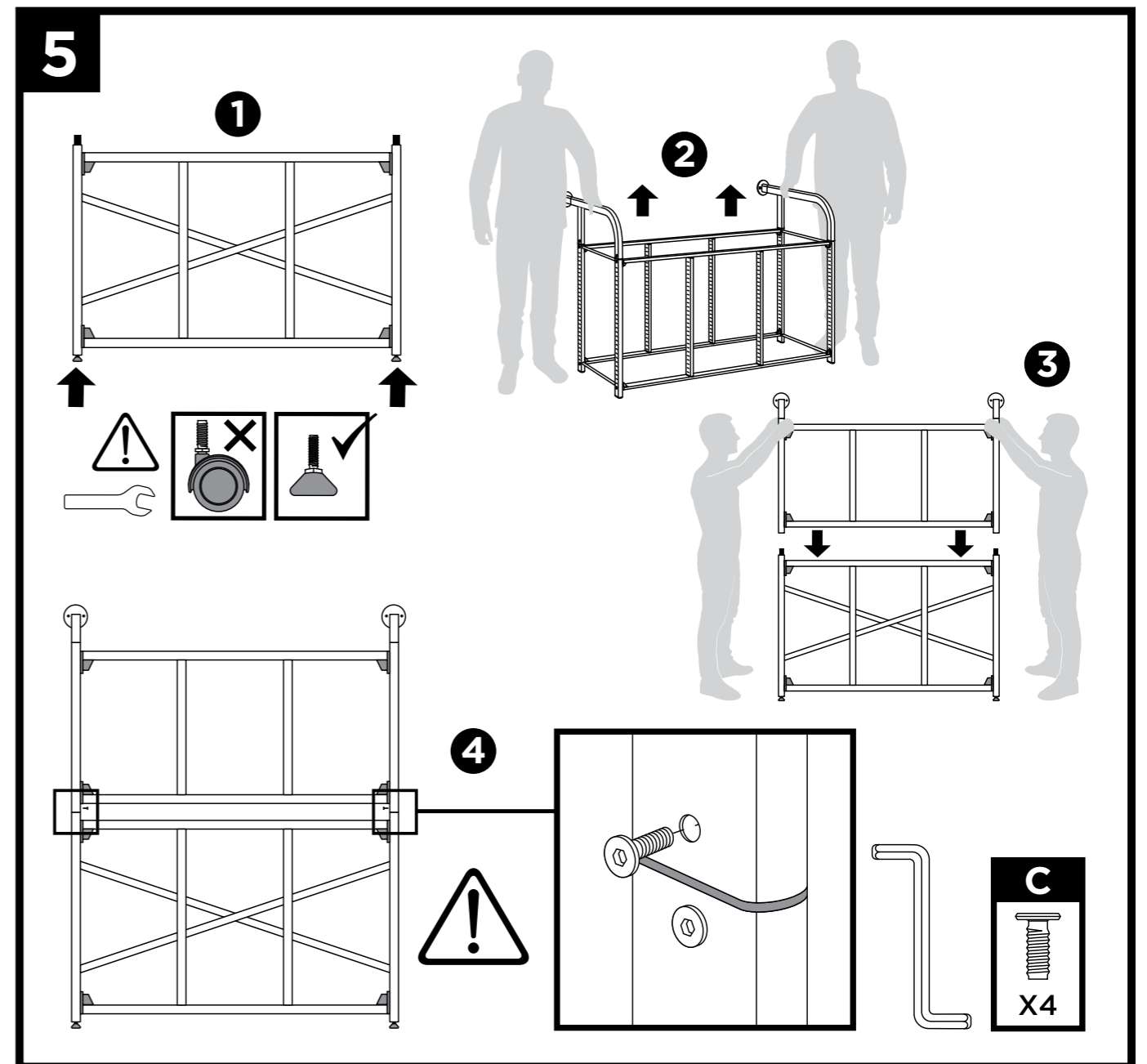
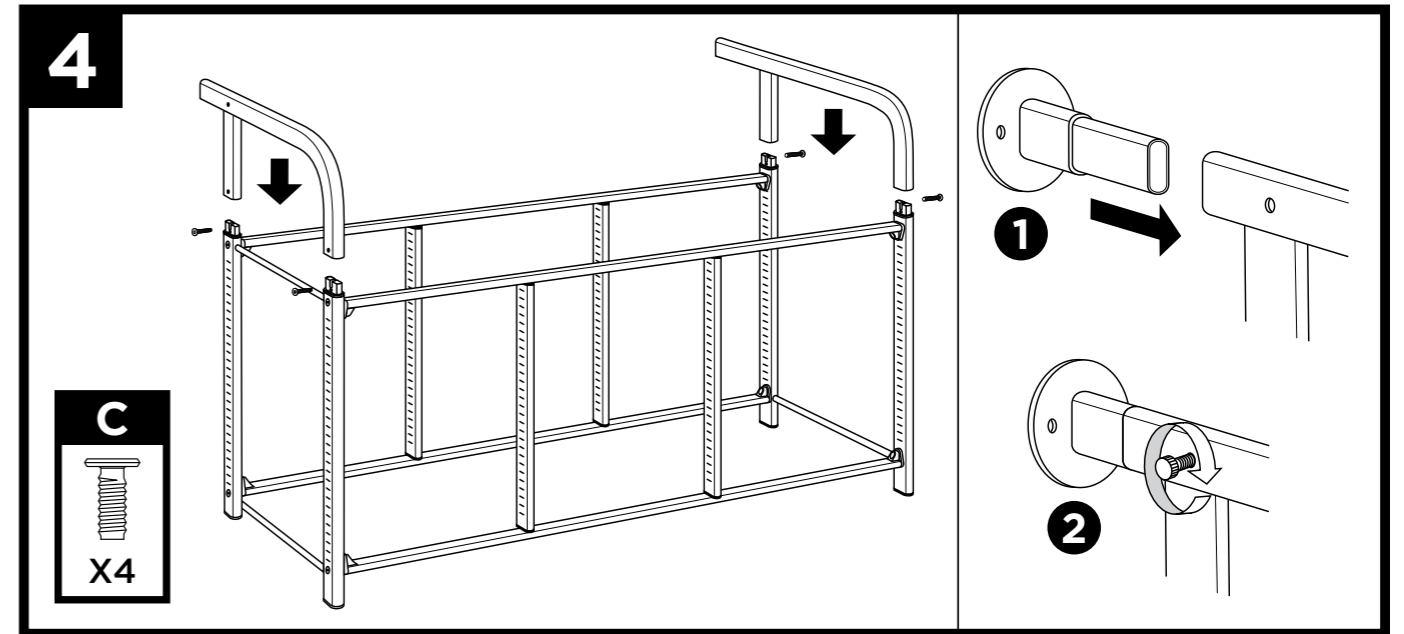
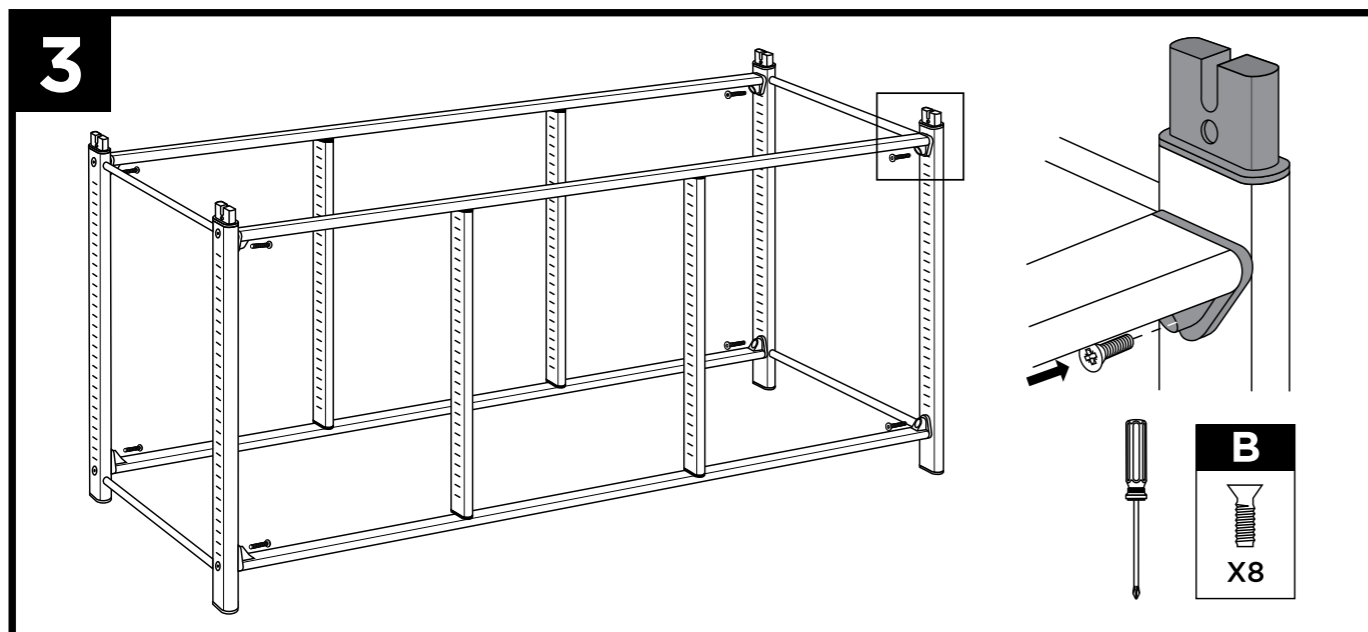
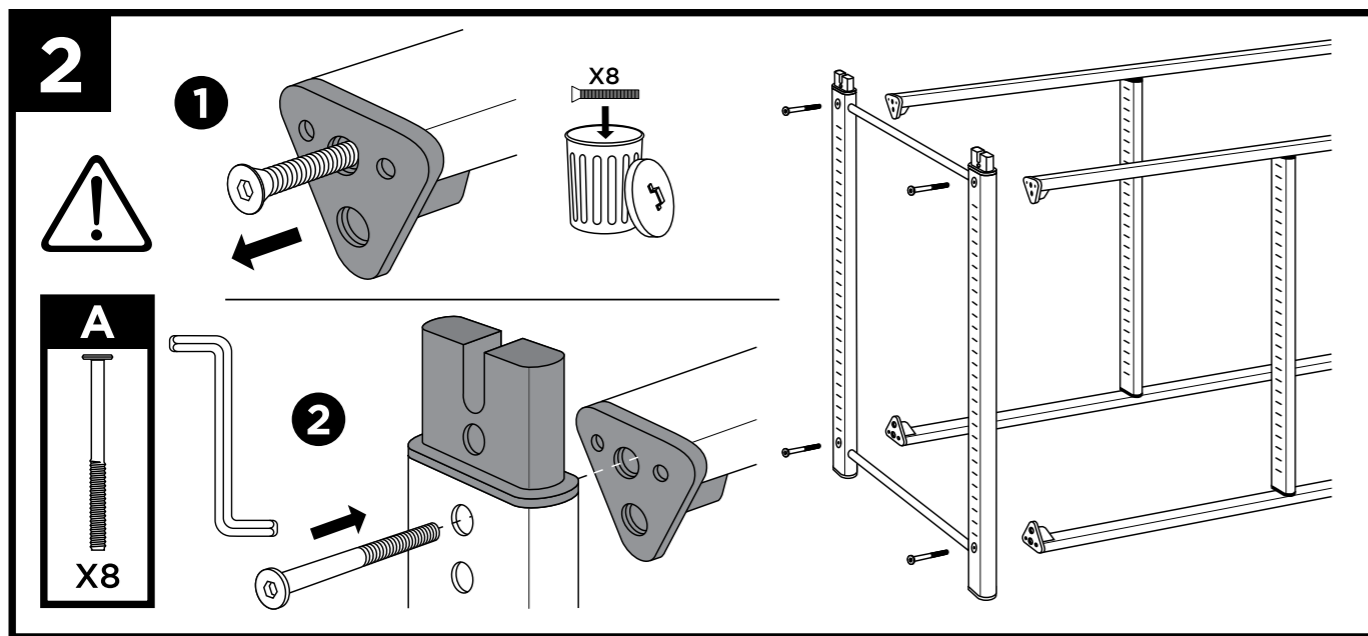
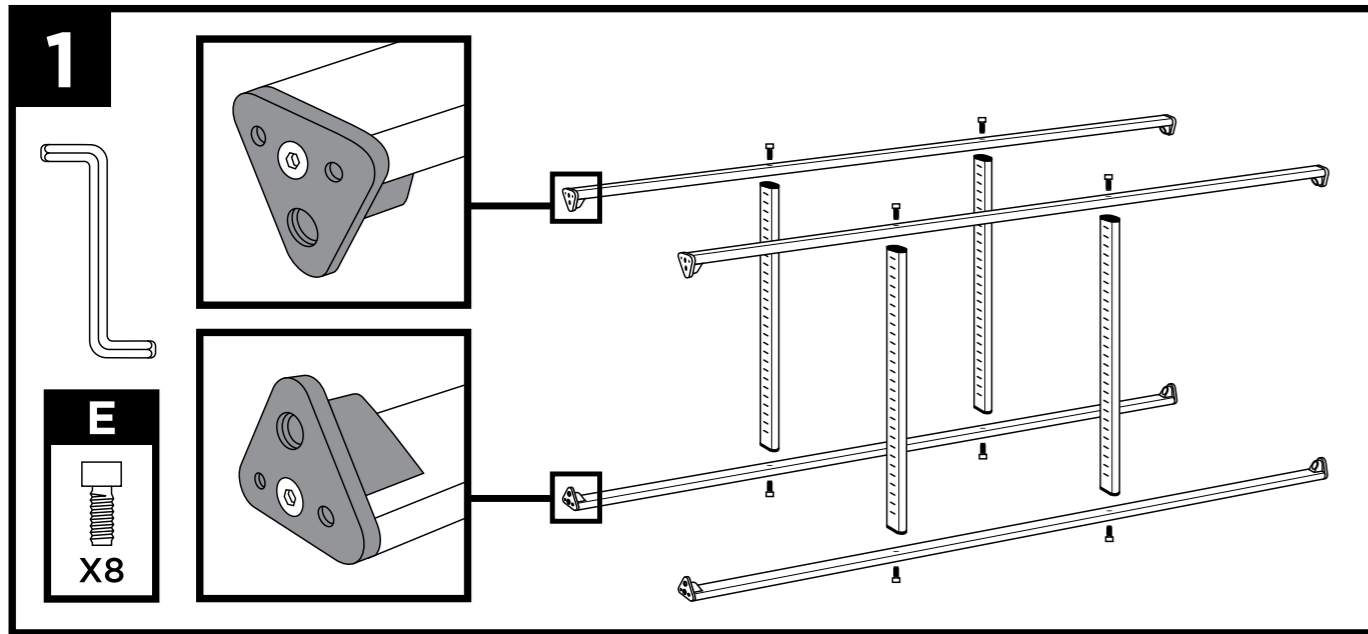




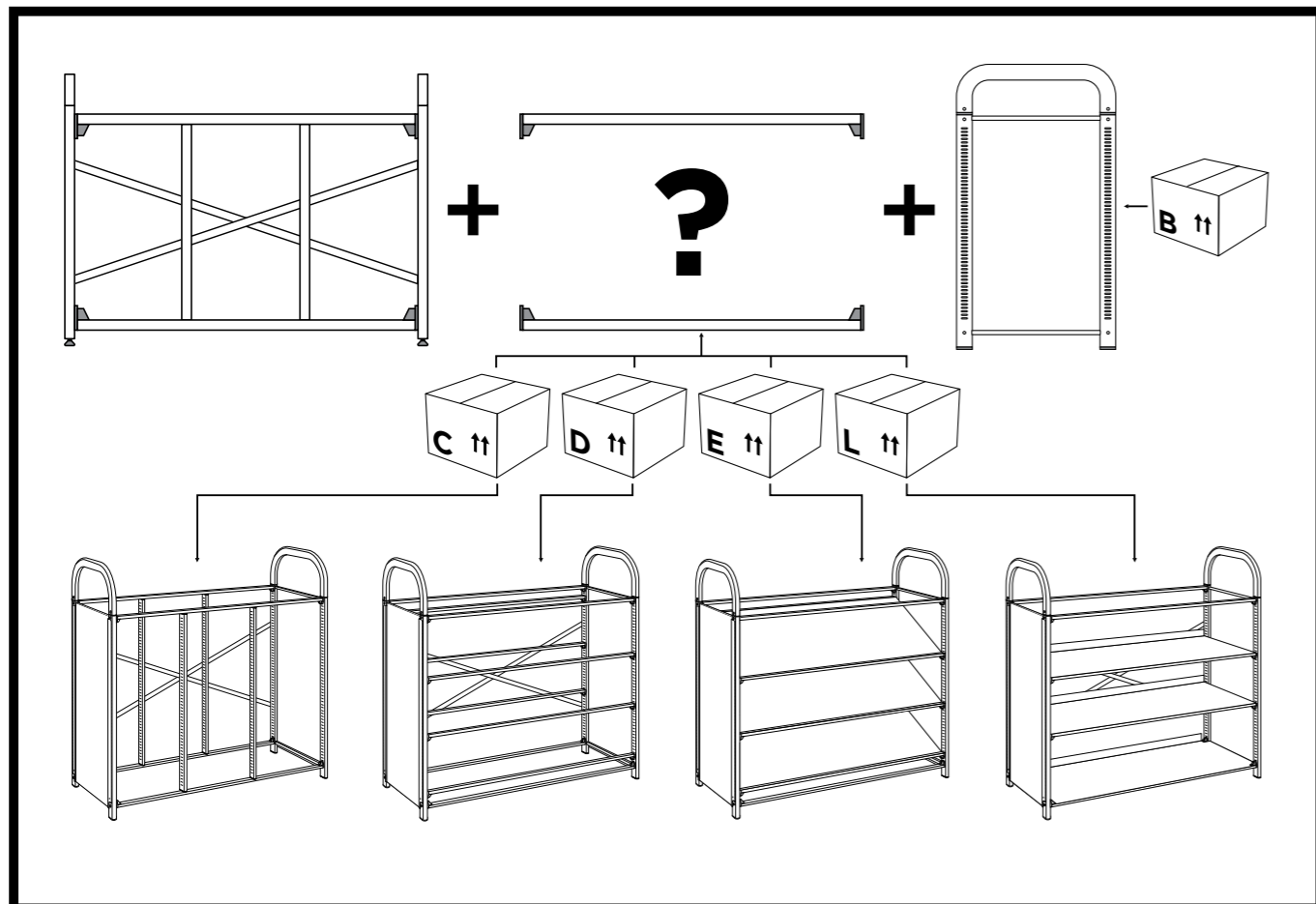
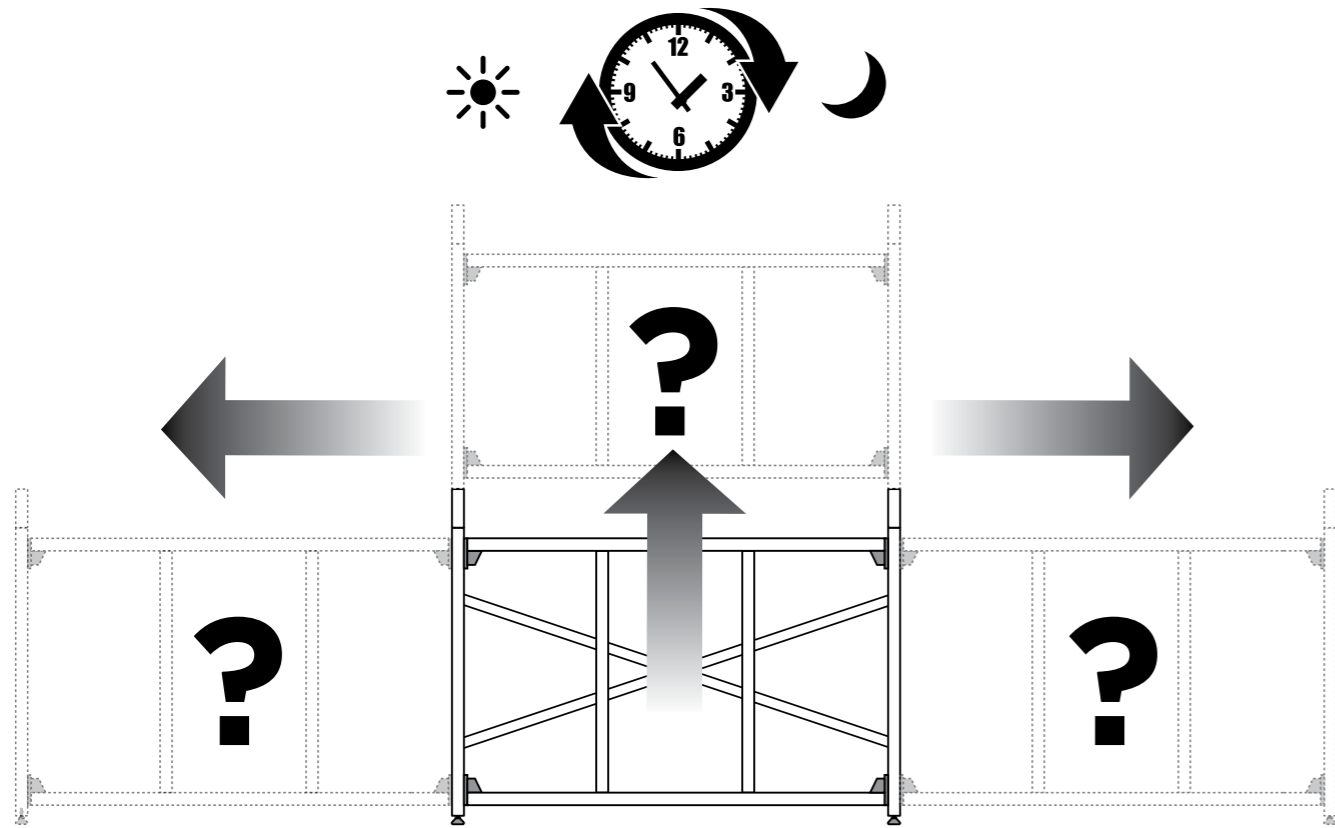
12 Tray Extension Unit

Dimensions: 450(H) x 1025(W) x 430mm(D).





HOW TO EXPAND THE SYSTEM

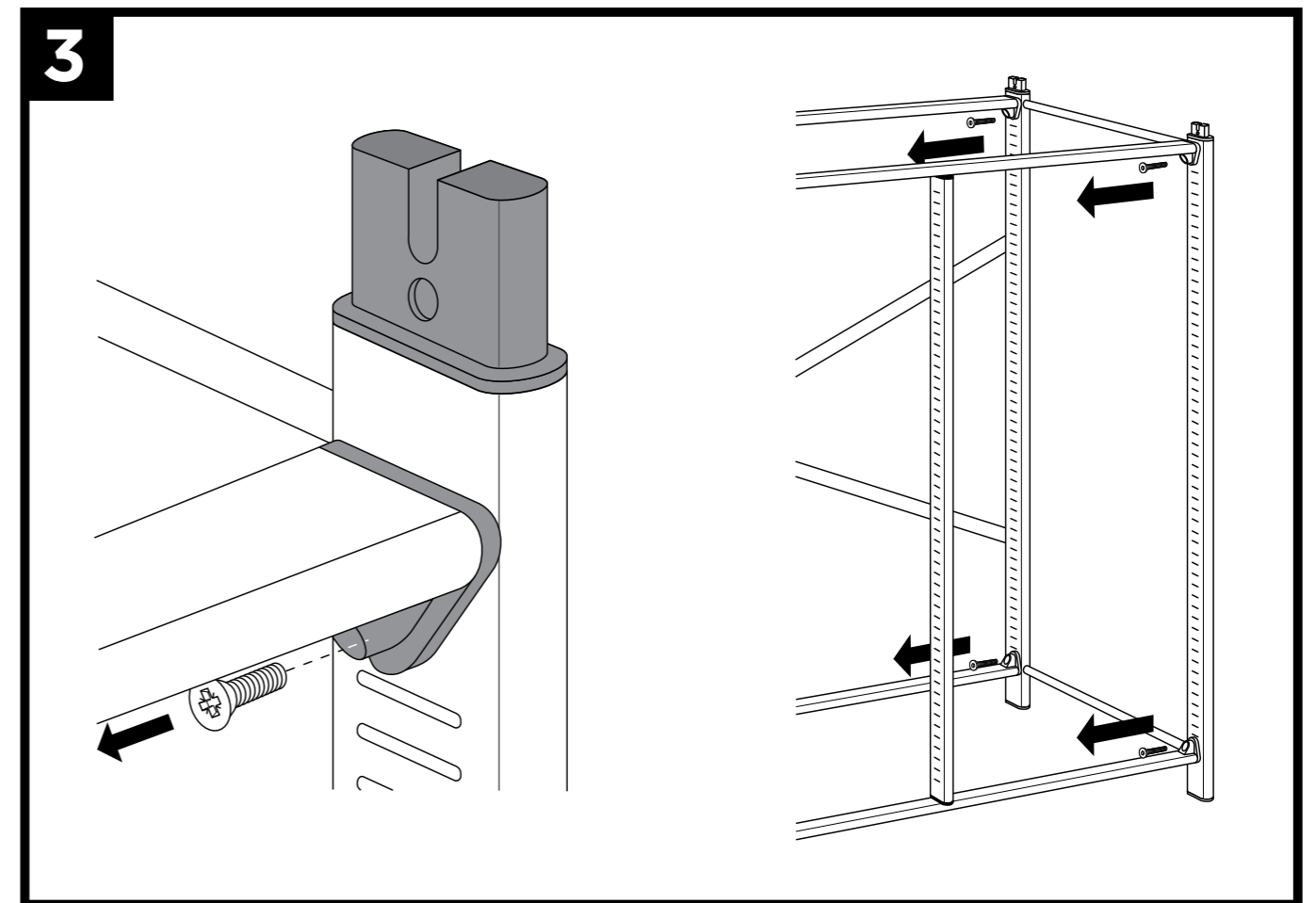
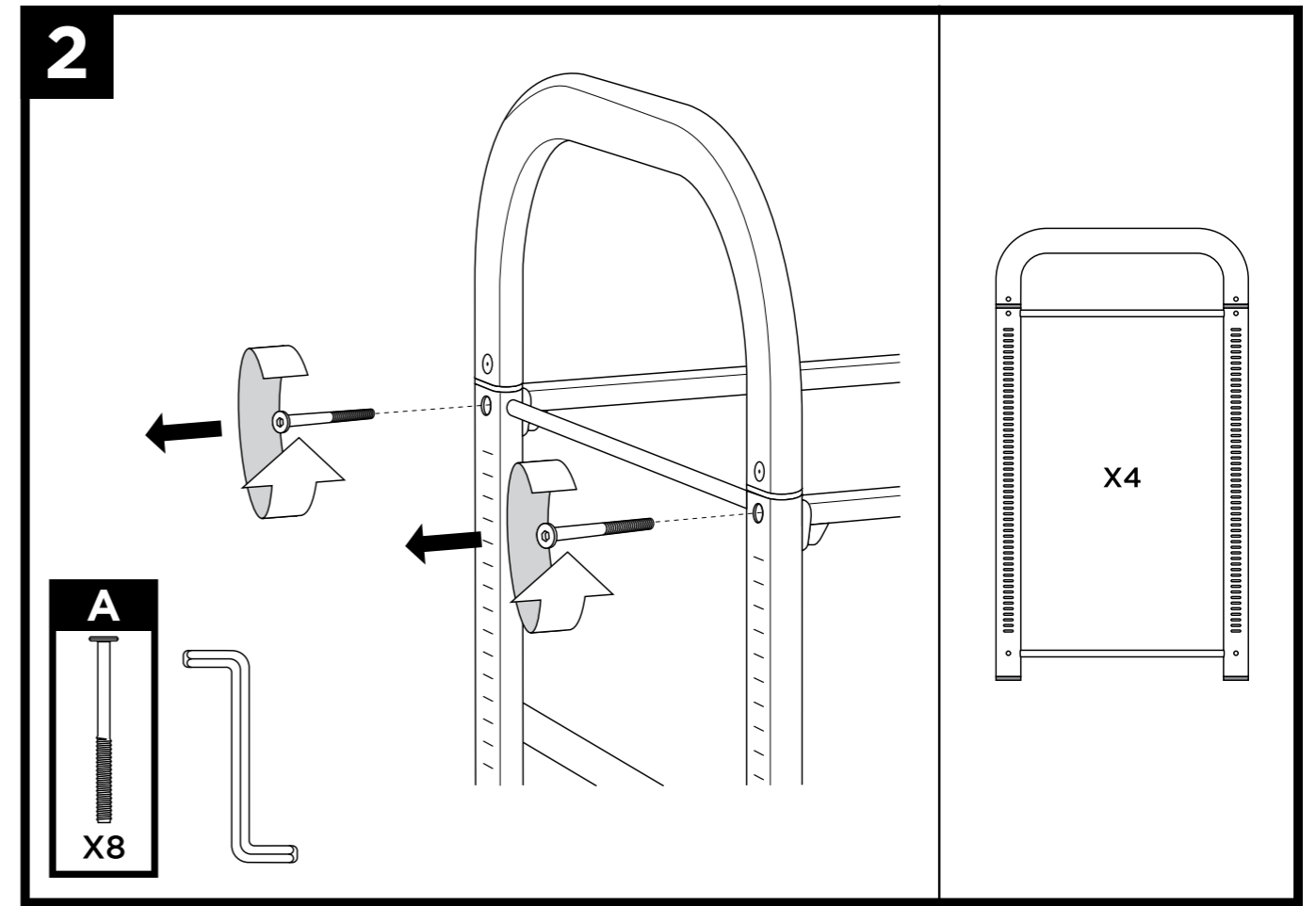
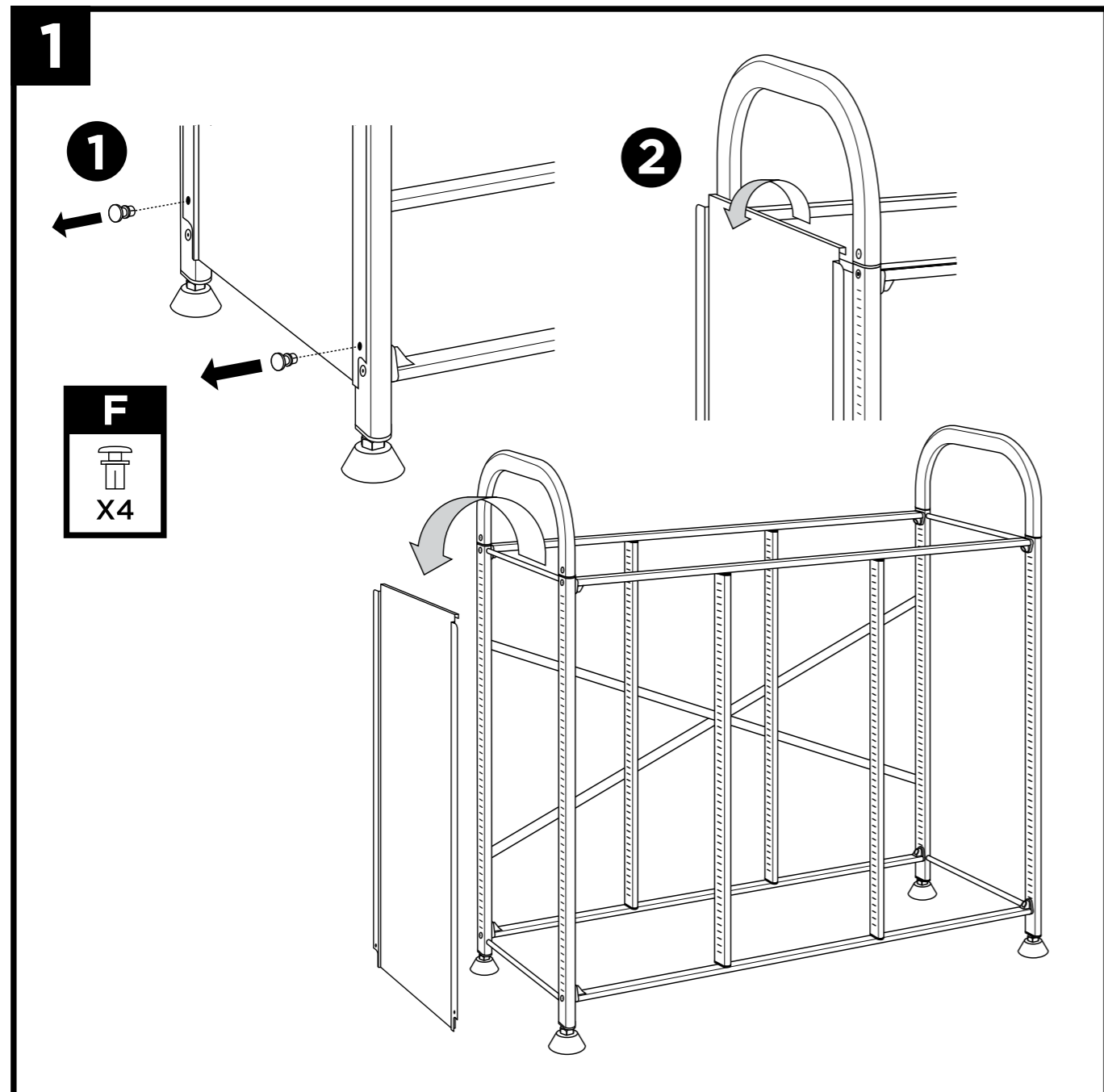
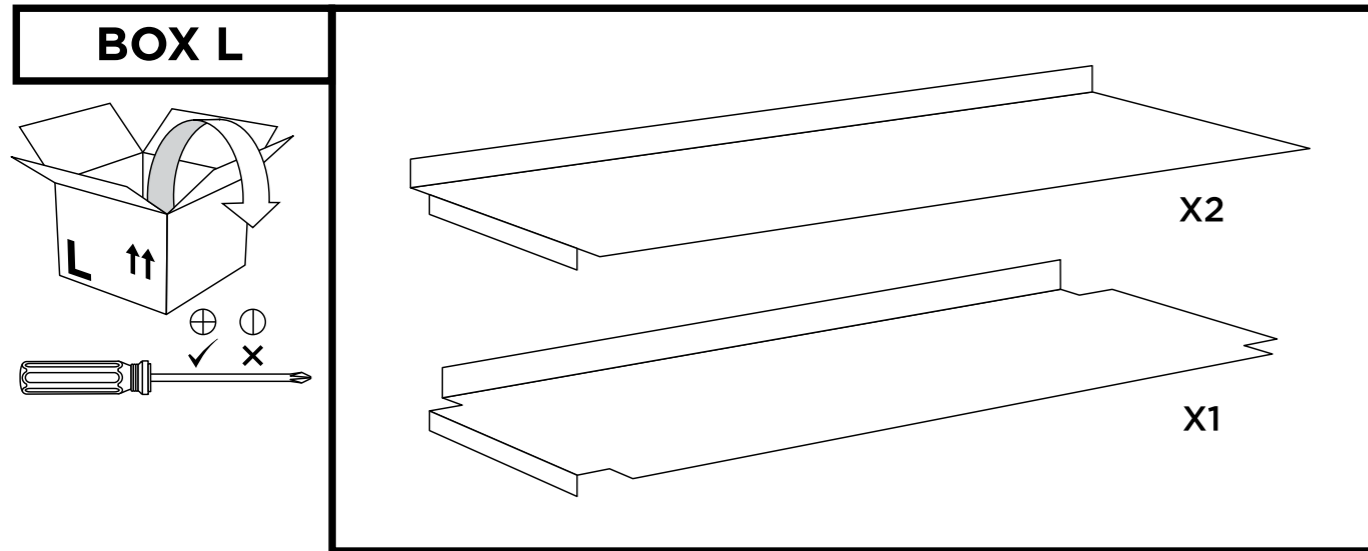


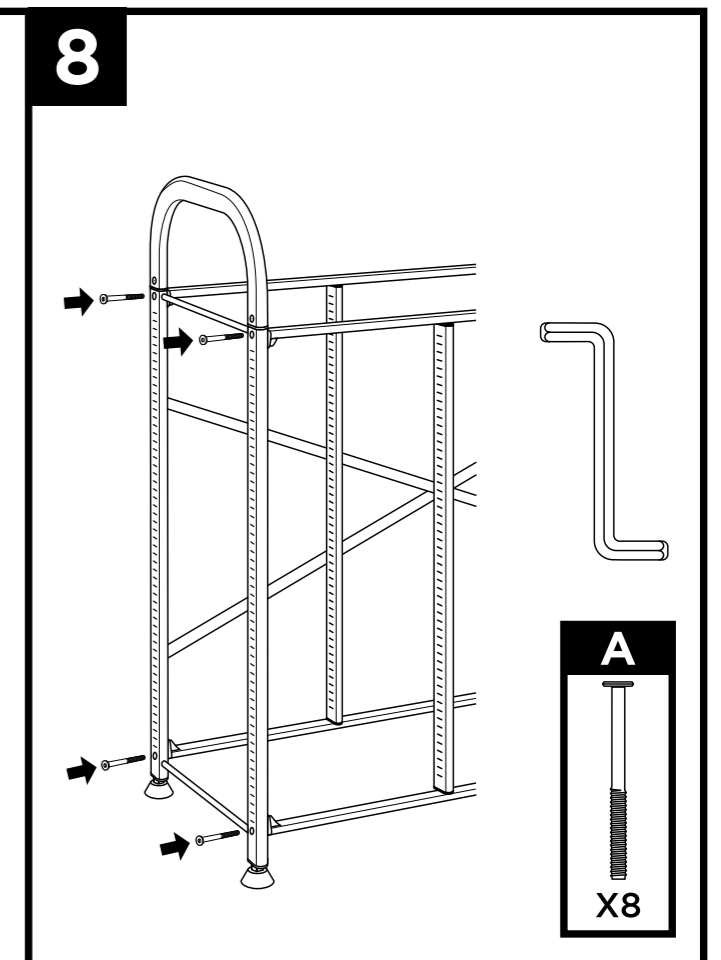
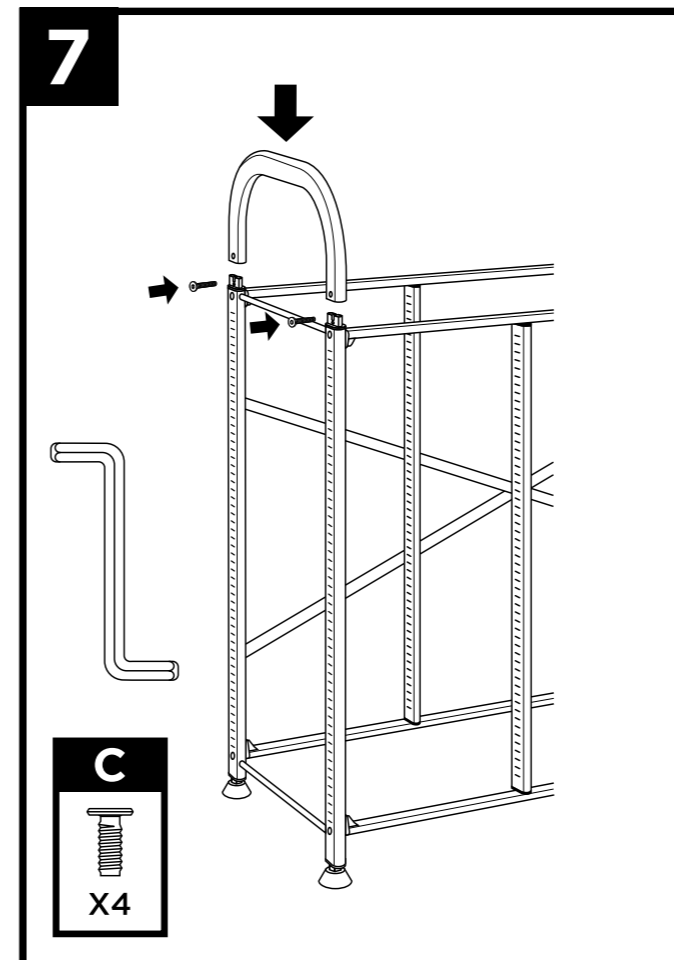
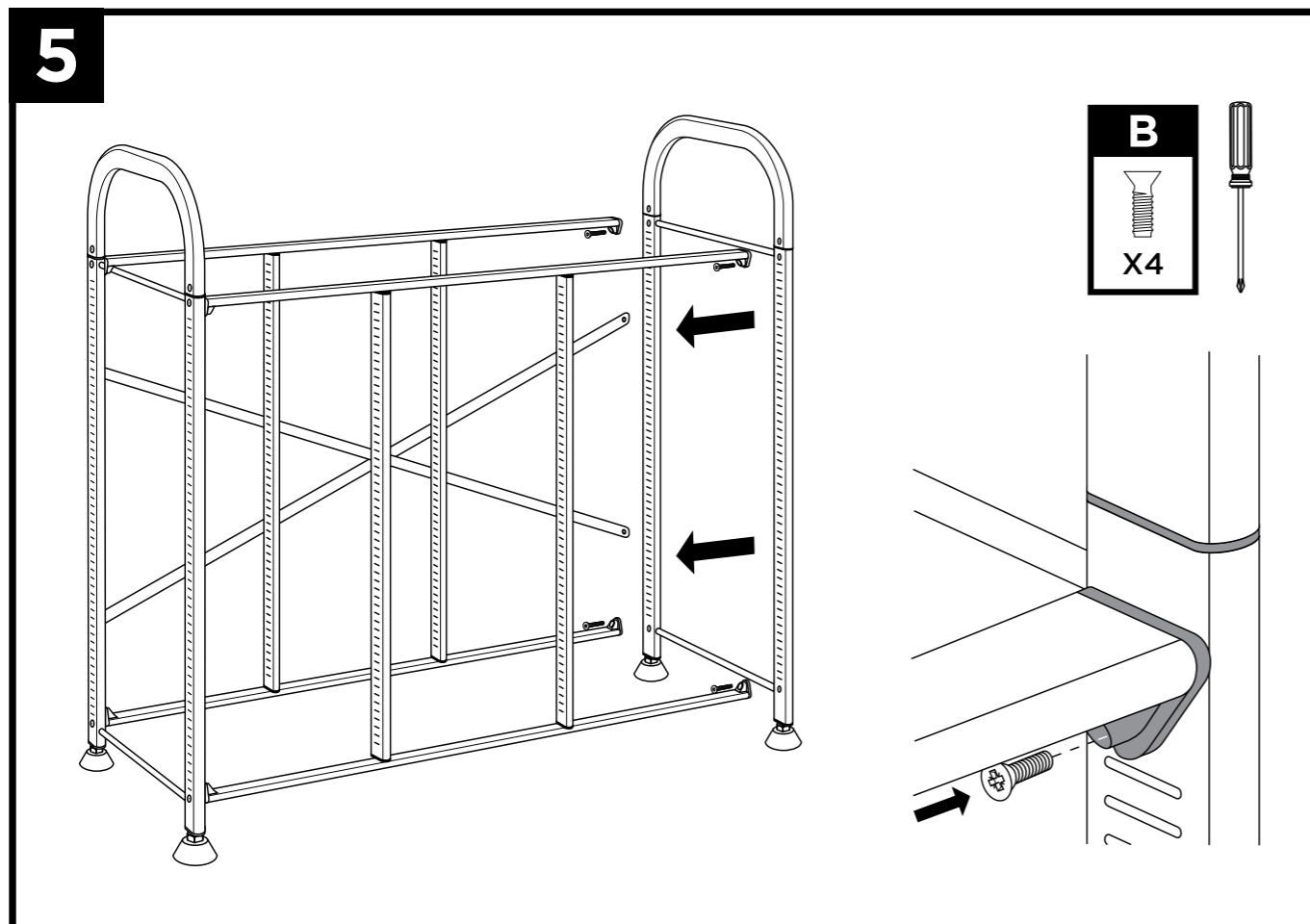
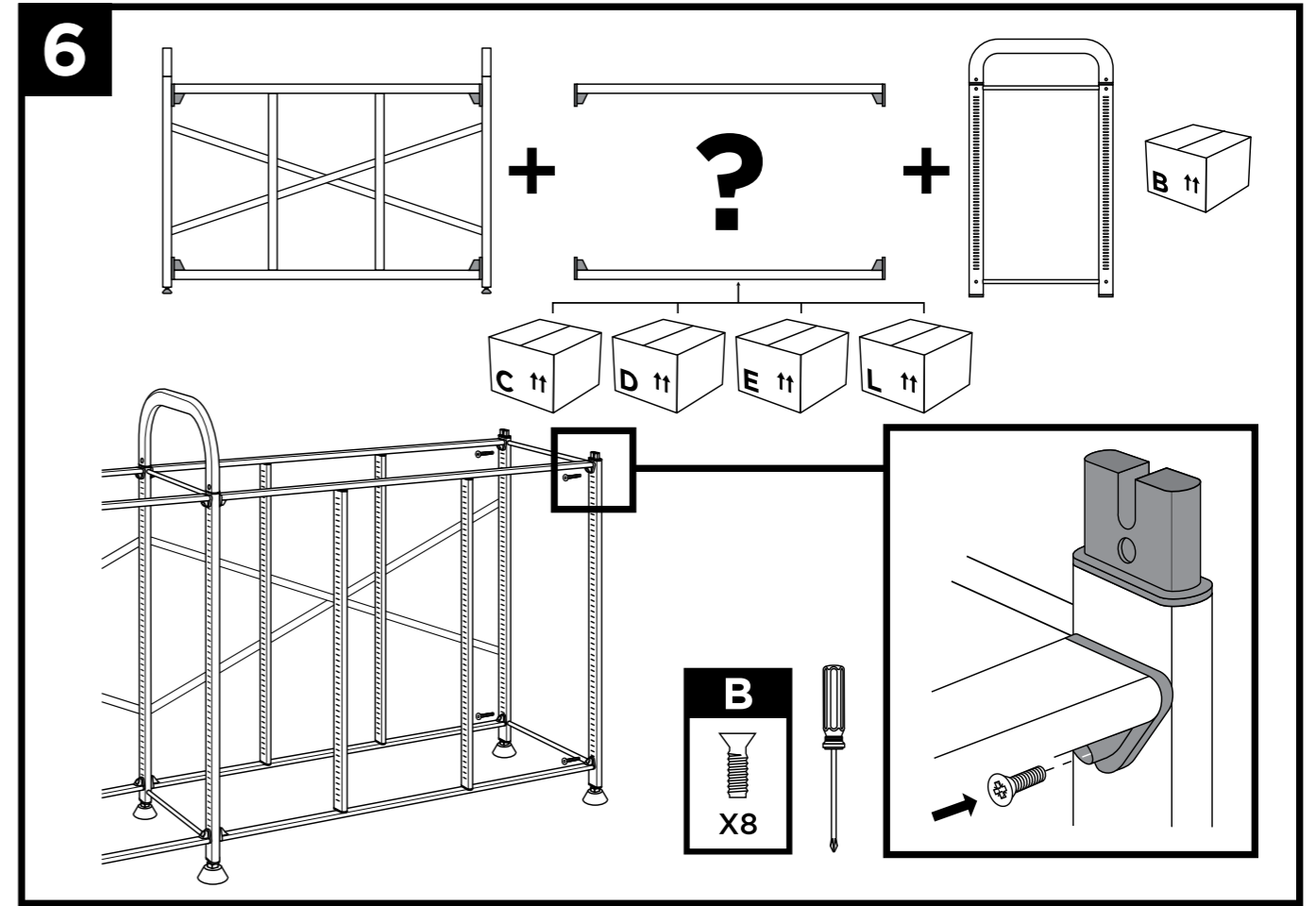
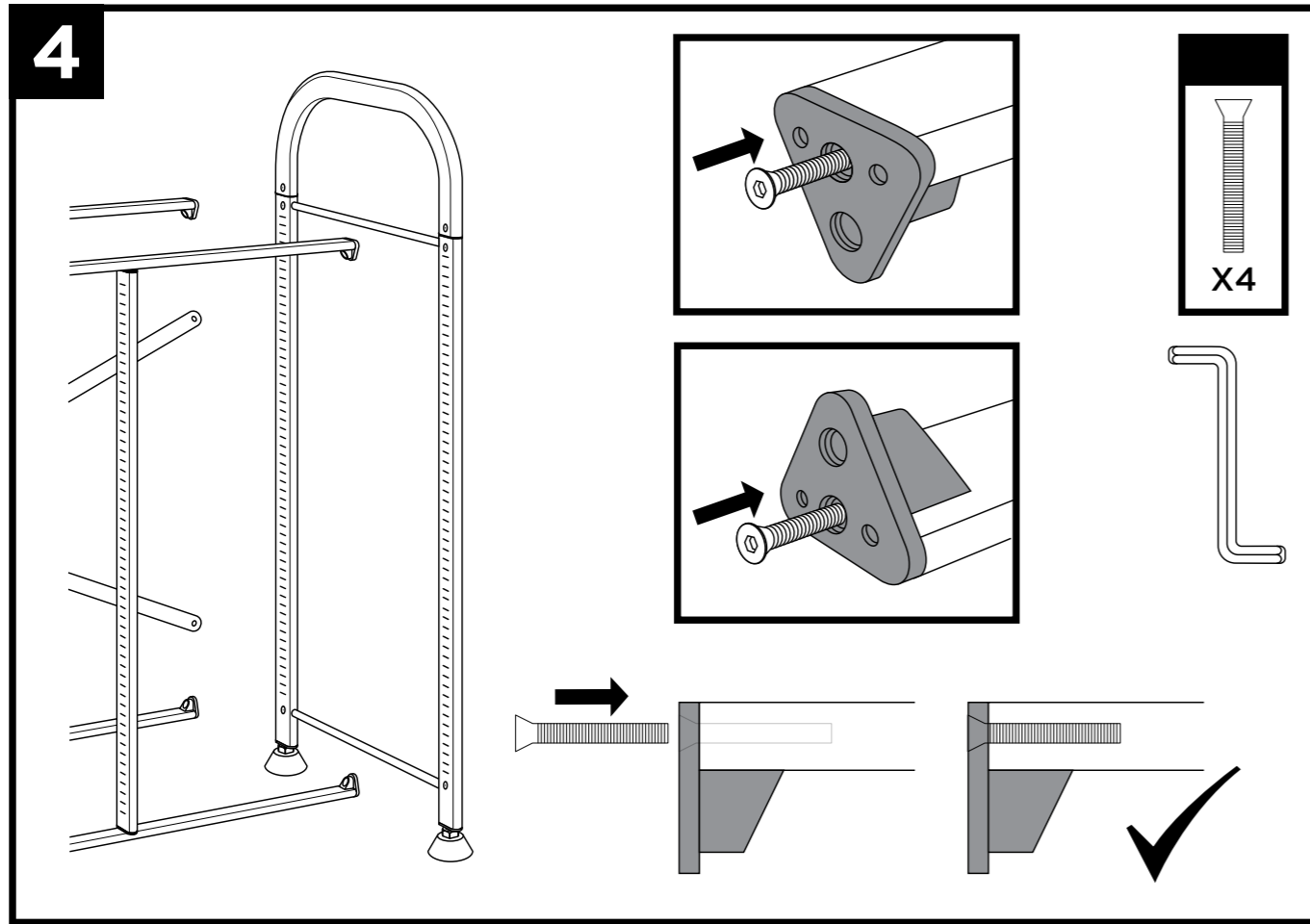
BOX B

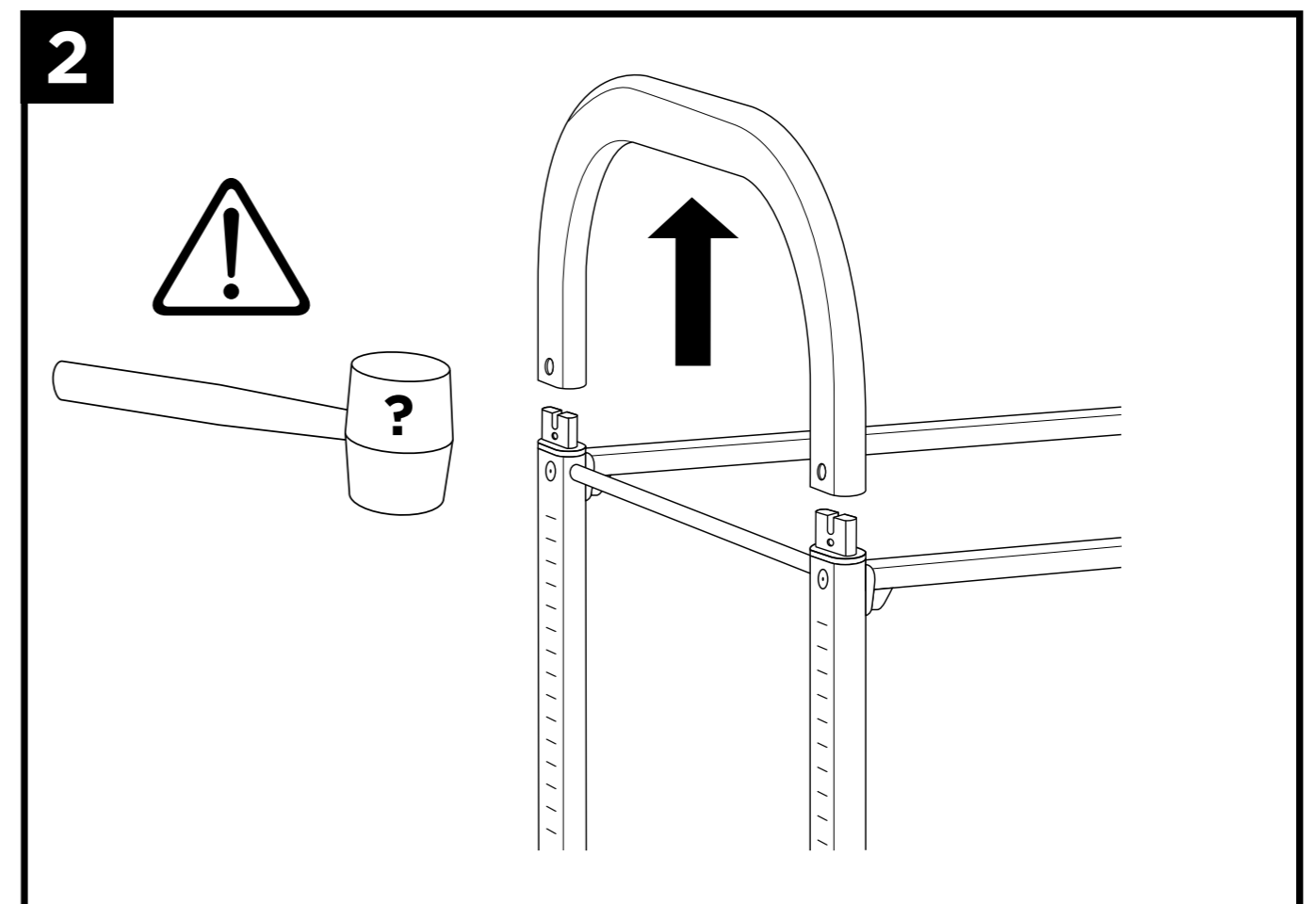
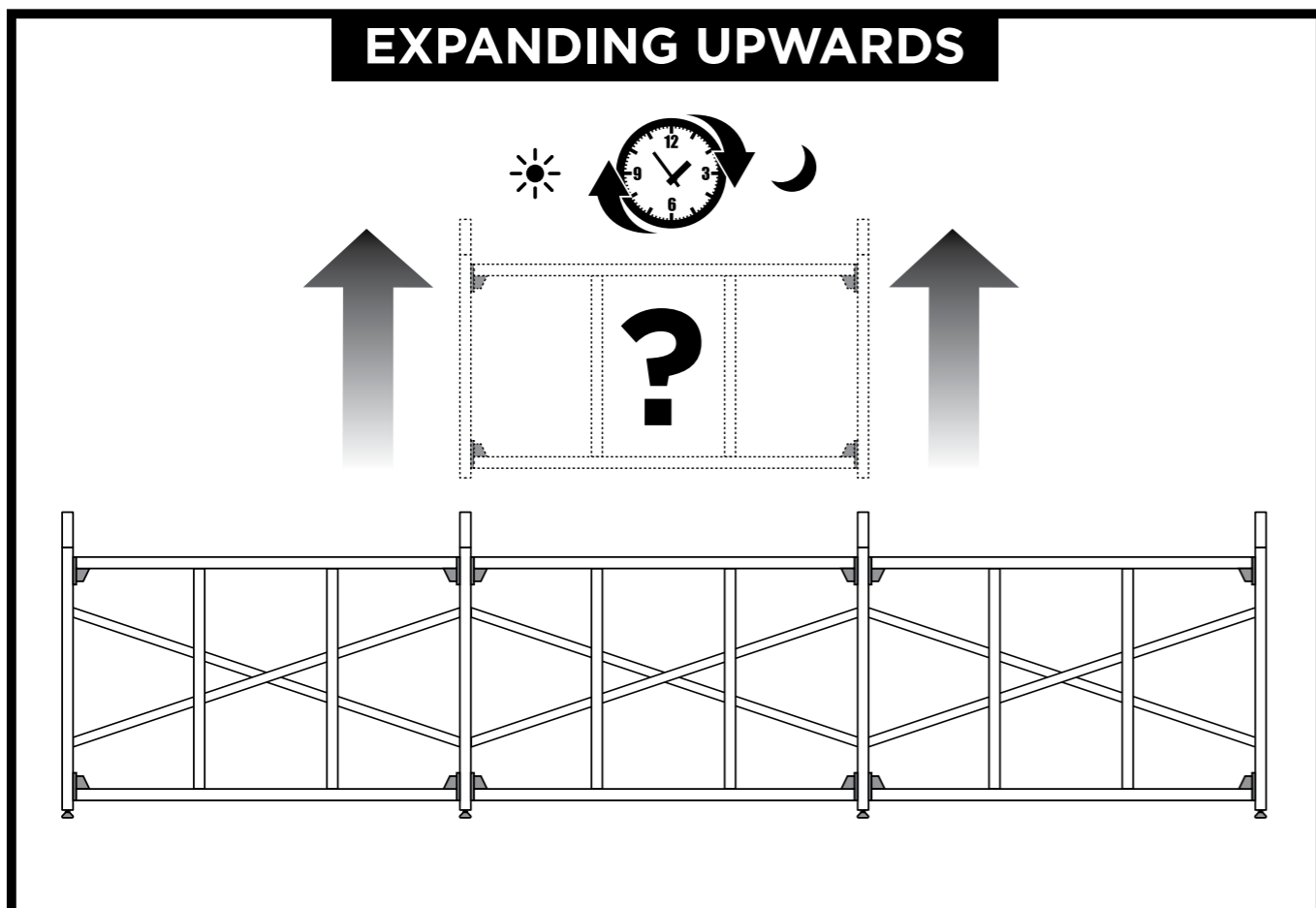
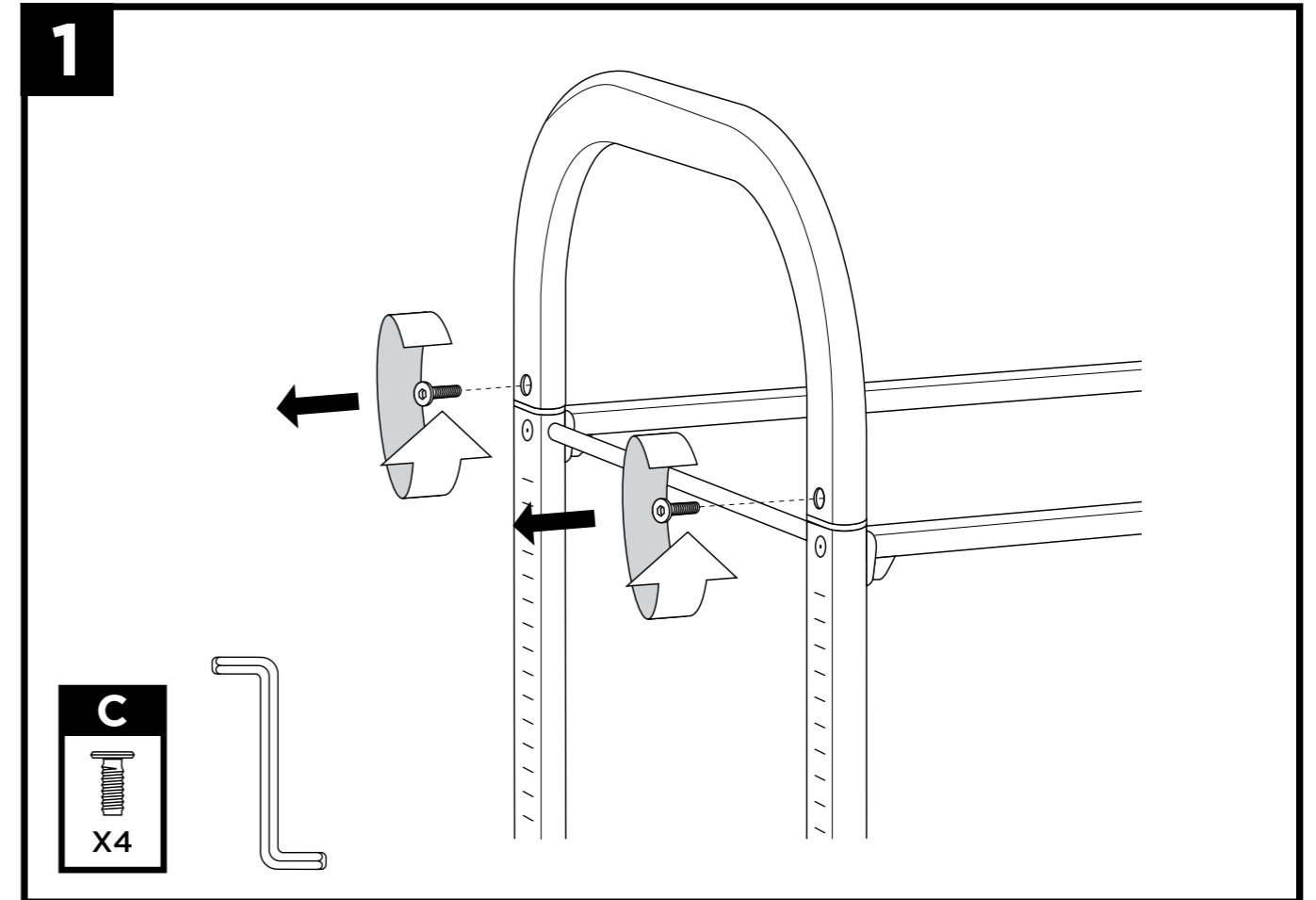
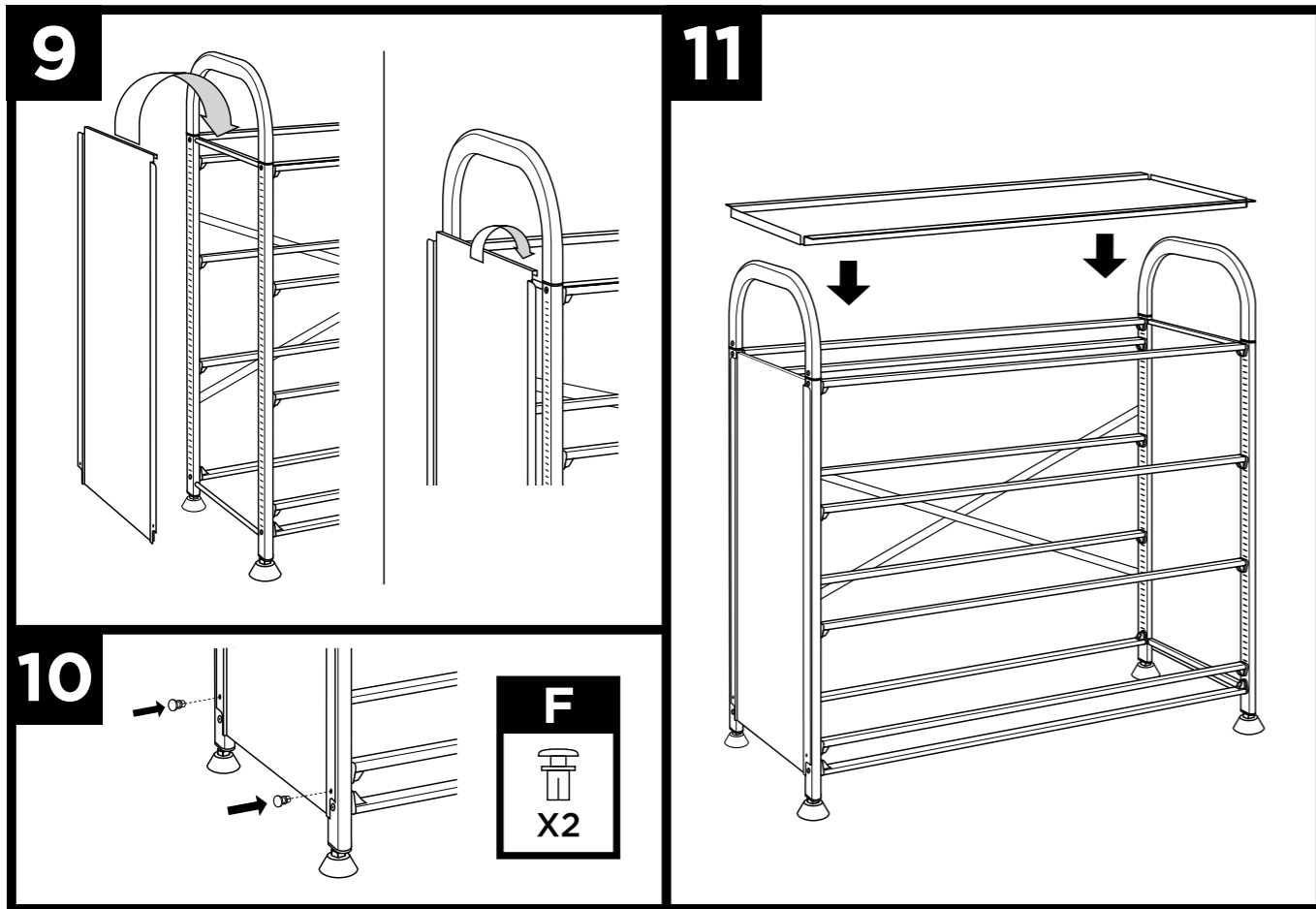
BOX C

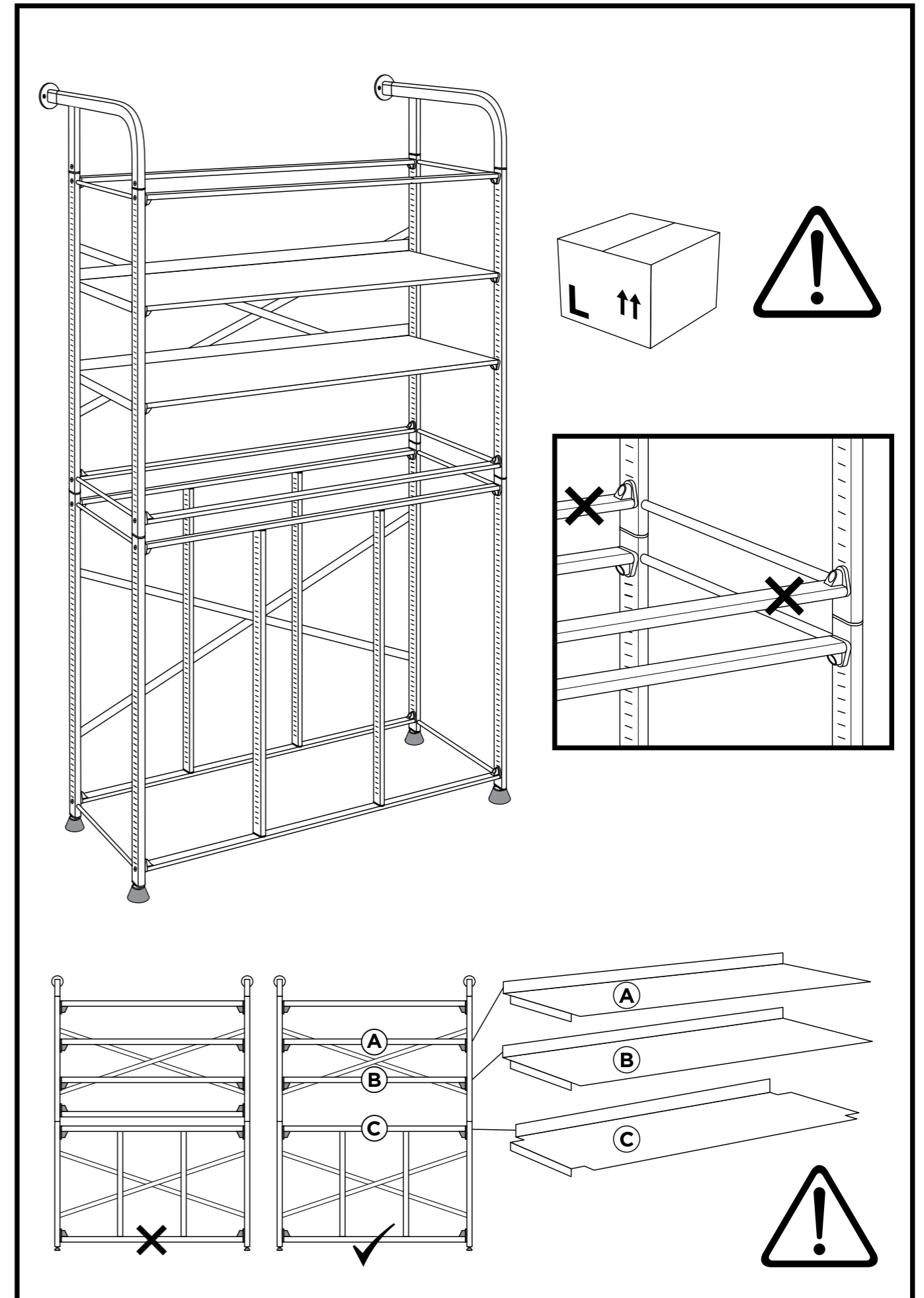
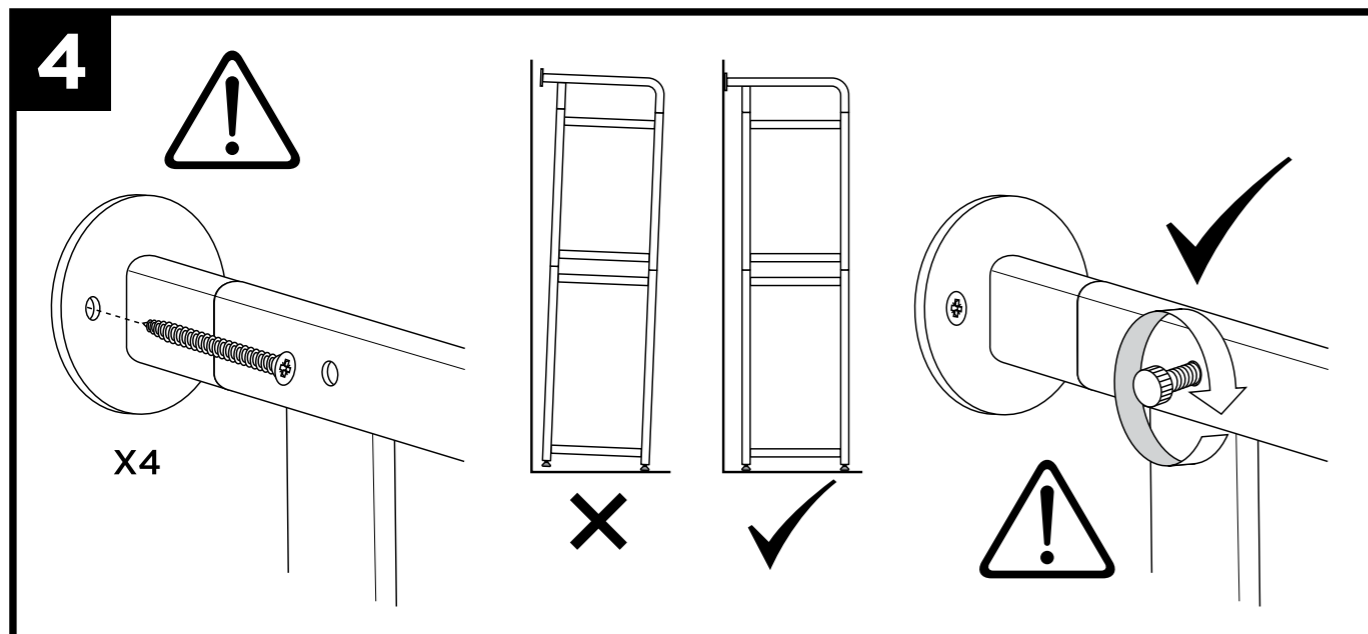
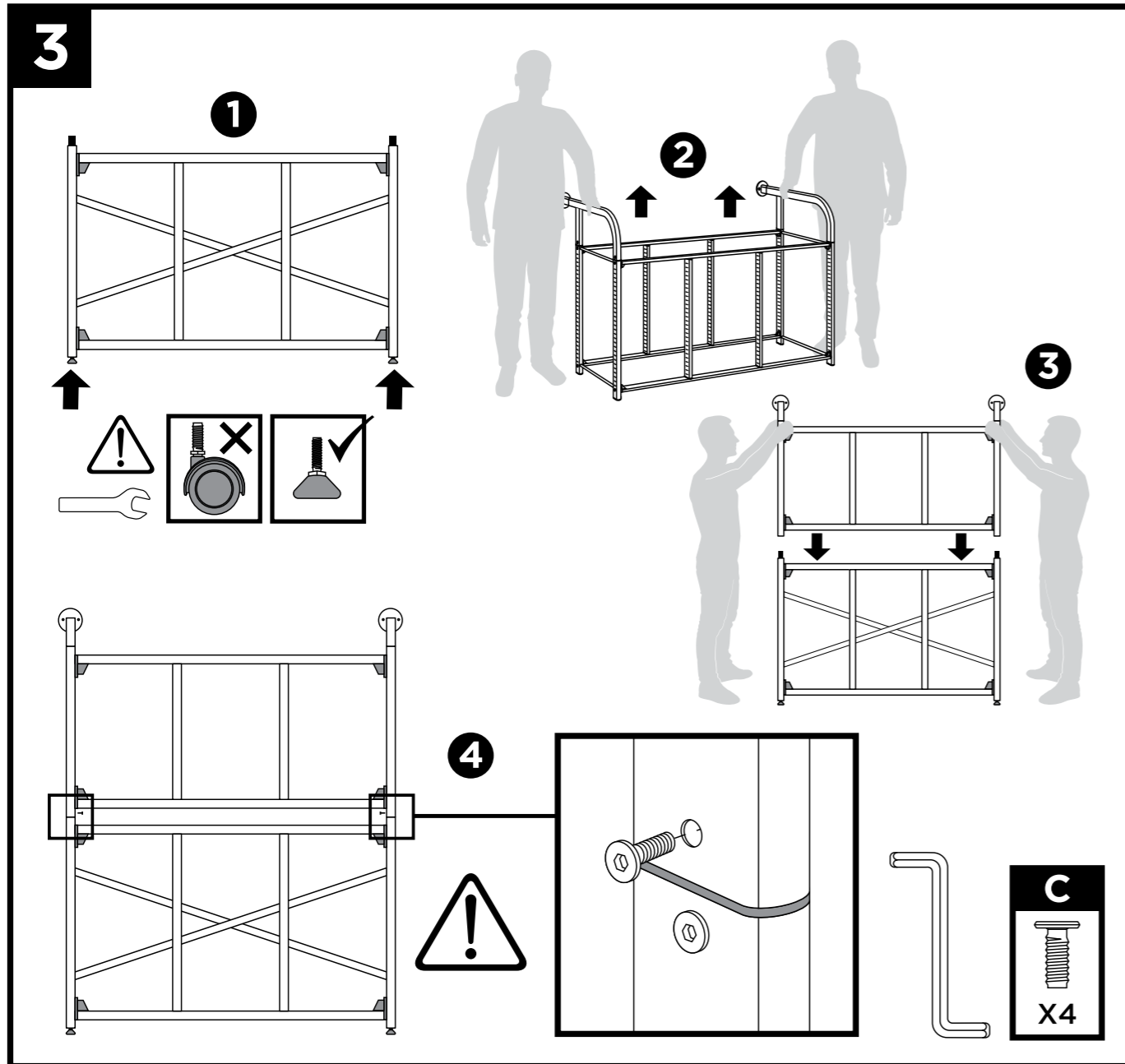
BOX D

BOX E



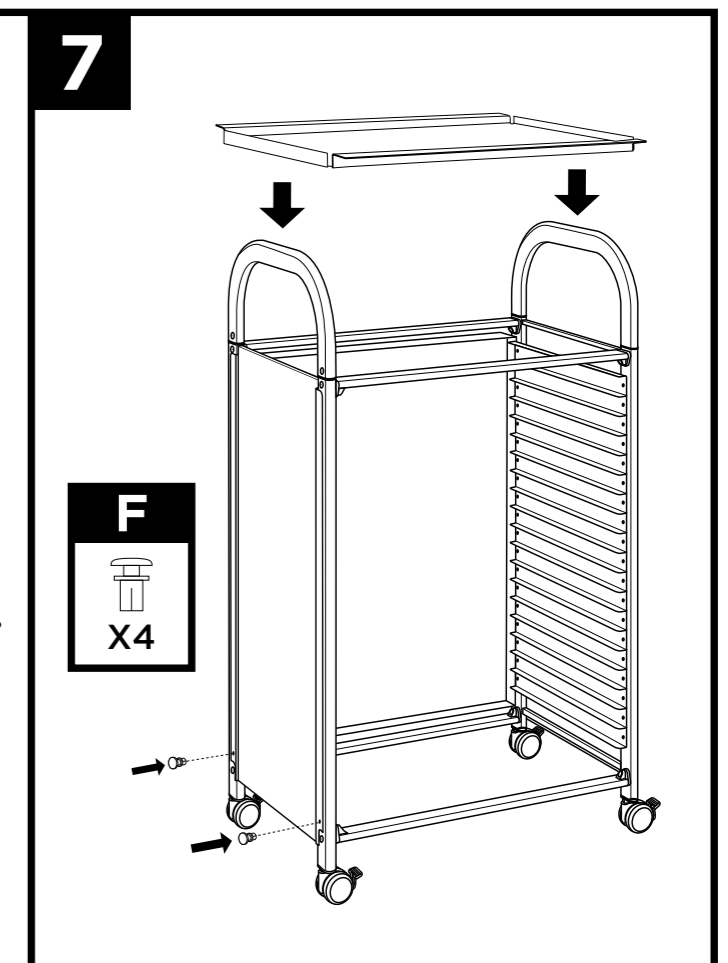
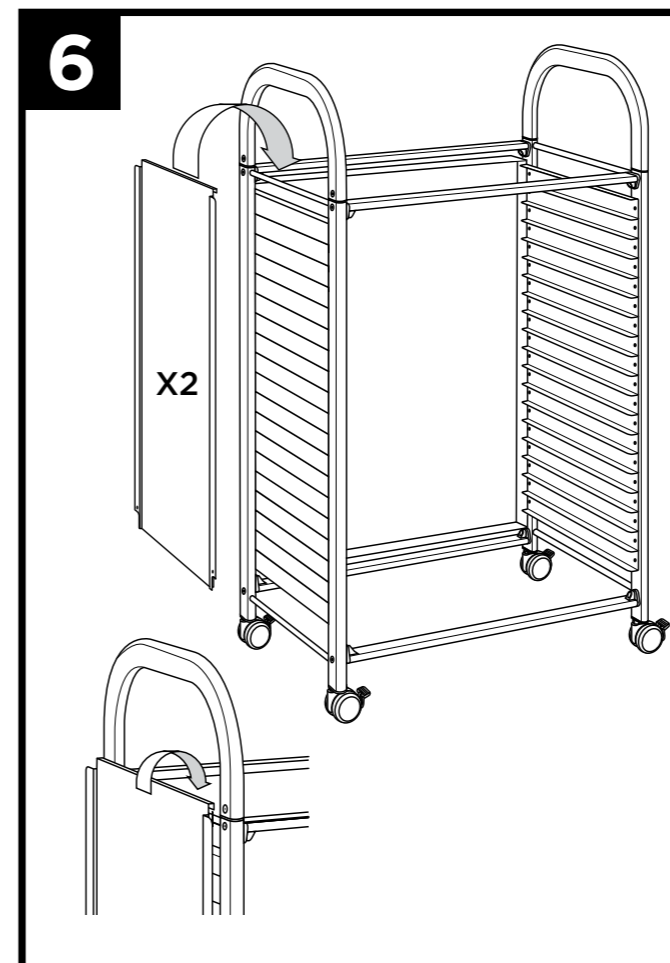
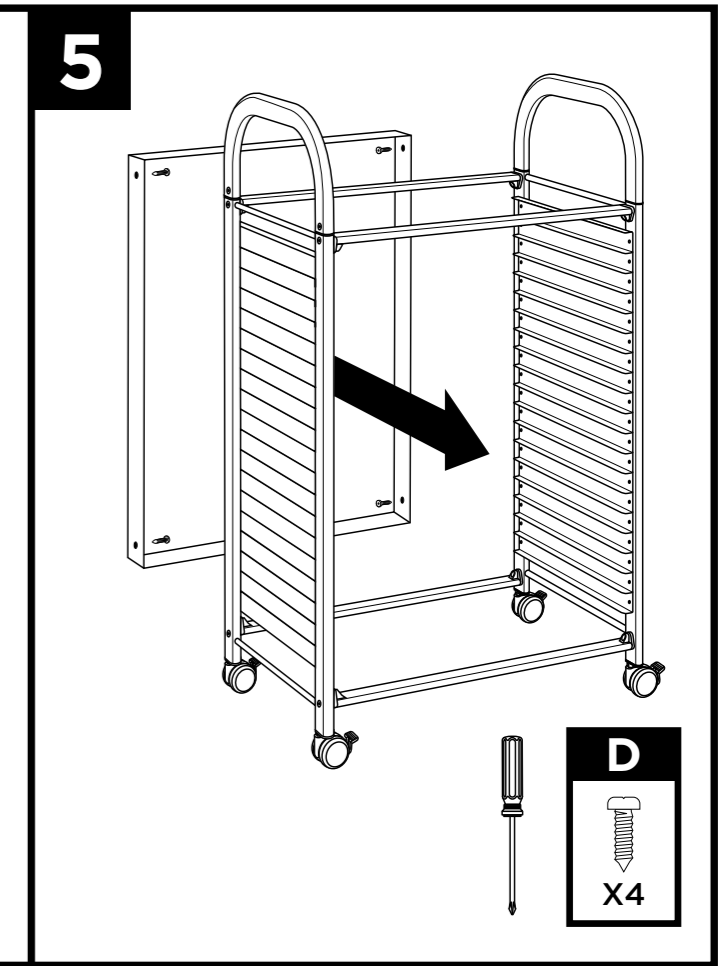
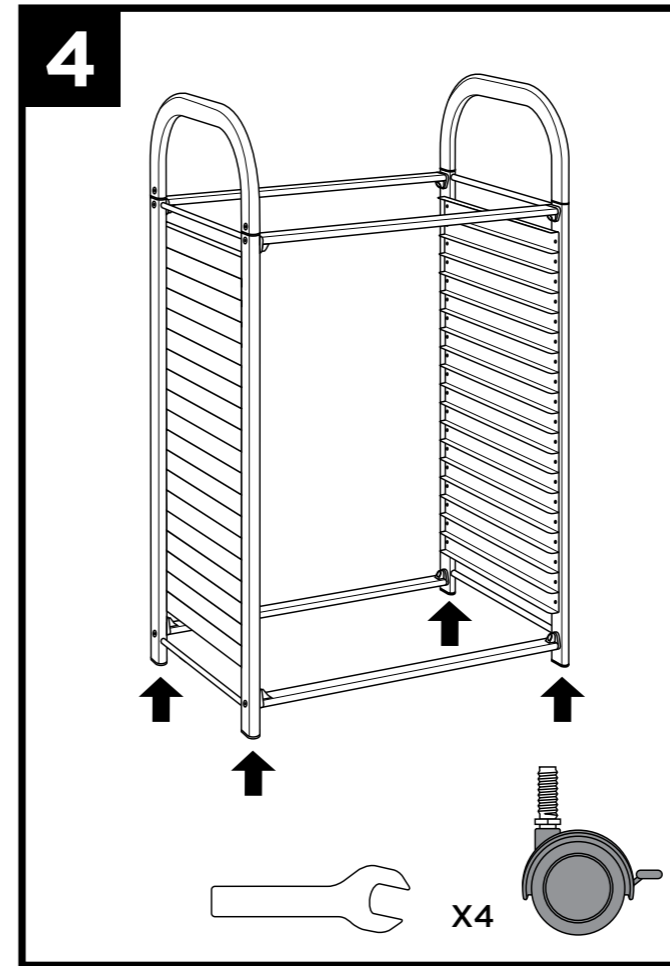
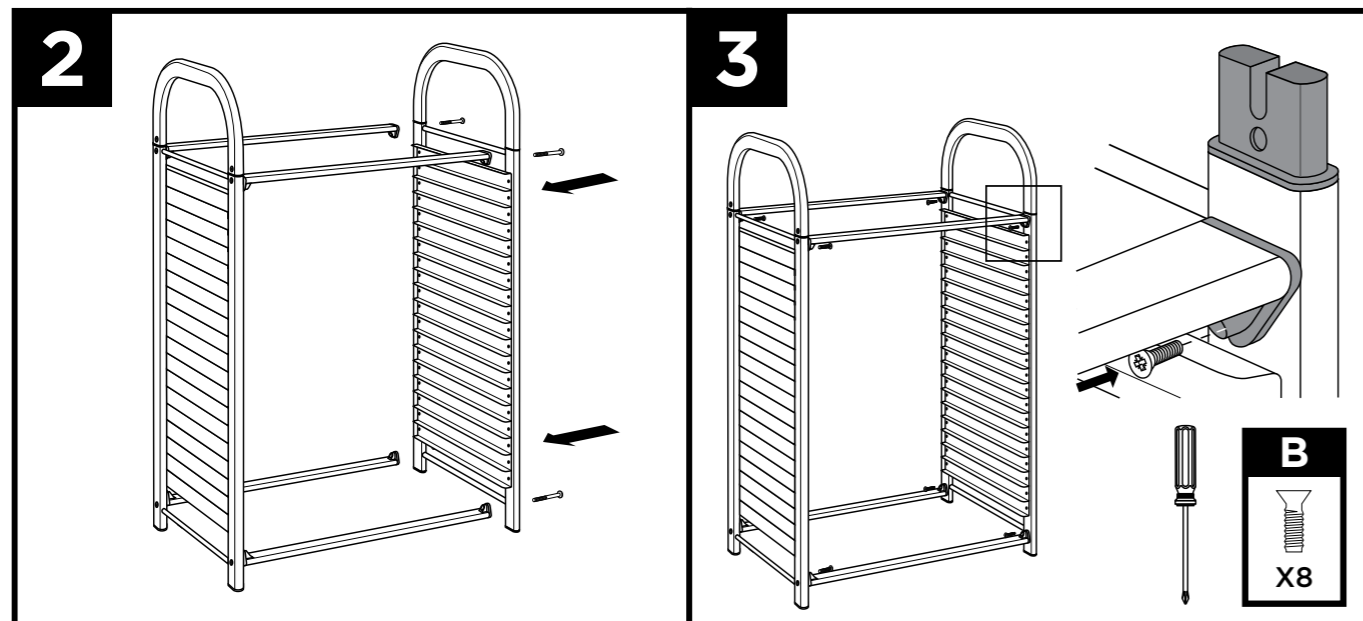
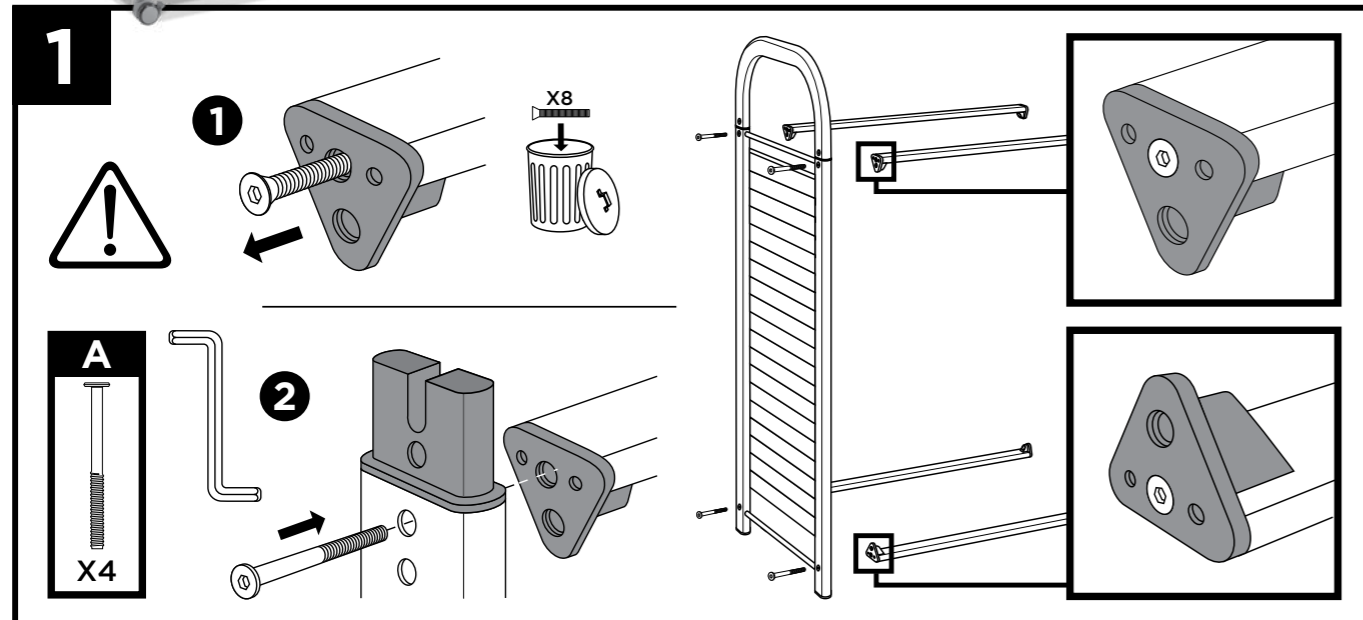
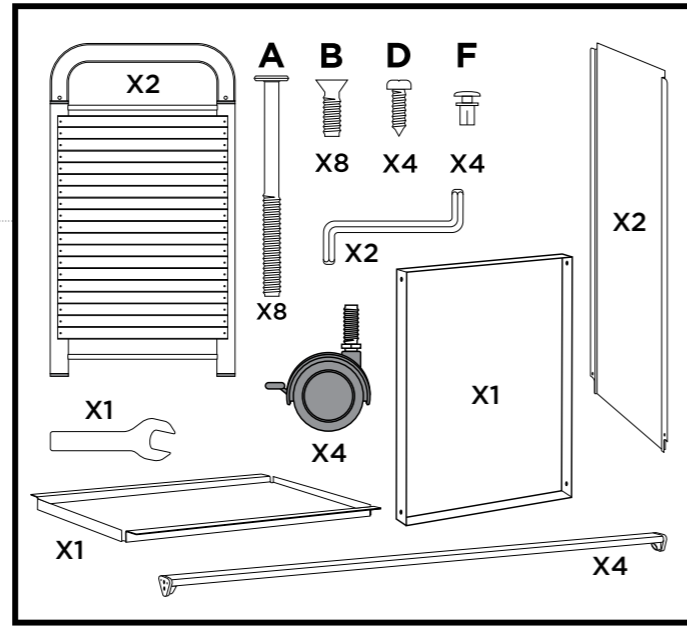
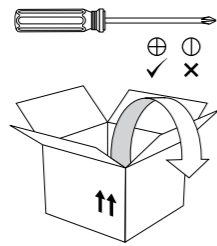








Art Trolley
Dimensions: 945(H) x 565(W) x 500mm(D).





A3 Paper Trolley

Dimensions: 945(H) x 500(W) x 500mm(D).

