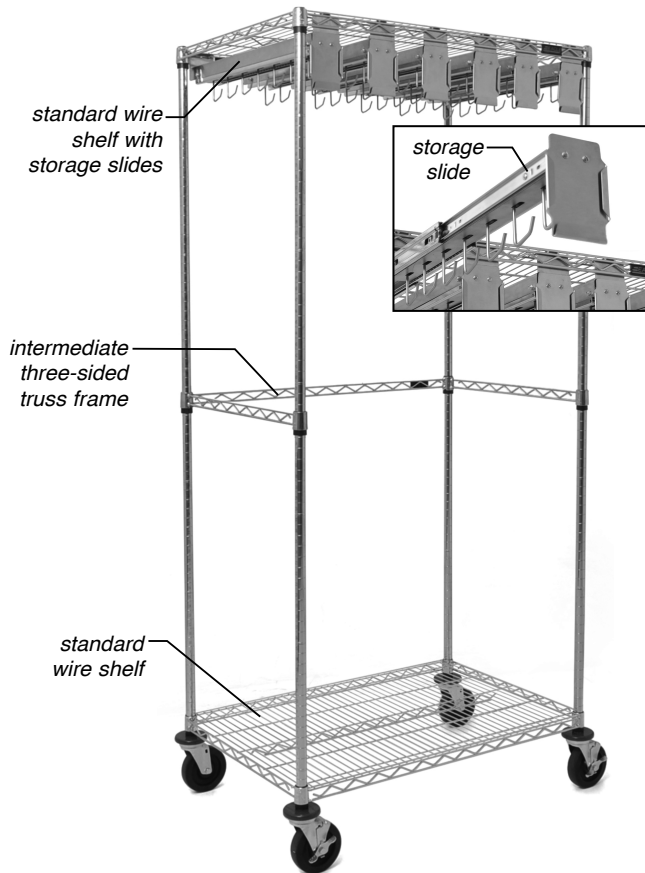


Catheter Storage Cart Specification Sheet

SMS-02-V69-ELCTH

Short Form Specifications

Standard wire shelf at top and bottom. Storage slides hang underneath top shelf. Each slide features a card holder and 5 to 7 hooks, which accommodate catheters. Three-sided truss frame at middle of unit. 5" diameter swivel casters (two with brake) with resilient tread. 18", 21" and 24" shelf widths. 36", 48", 60" & 72" shelf lengths. 80" overall height.



model #ELCTH-2436C

MODELS:

- | | | |
|--------------------------------------|--------------------------------------|--------------------------------------|
| <input type="checkbox"/> CVC-74-1836 | <input type="checkbox"/> CVC-74-2448 | <input type="checkbox"/> ELCTH-2136C |
| <input type="checkbox"/> CVC-74-1848 | <input type="checkbox"/> CVC-74-2460 | <input type="checkbox"/> ELCTH-2148C |
| <input type="checkbox"/> CVC-74-1860 | <input type="checkbox"/> CVC-74-2472 | <input type="checkbox"/> ELCTH-2160C |
| <input type="checkbox"/> CVC-74-1872 | <input type="checkbox"/> ELCTH-18 | <input type="checkbox"/> ELCTH-2172C |
| <input type="checkbox"/> CVC-74-2136 | <input type="checkbox"/> ELCTH-1836C | <input type="checkbox"/> ELCTH-24 |
| <input type="checkbox"/> CVC-74-2148 | <input type="checkbox"/> ELCTH-1848C | <input type="checkbox"/> ELCTH-2436C |
| <input type="checkbox"/> CVC-74-2160 | <input type="checkbox"/> ELCTH-1860C | <input type="checkbox"/> ELCTH-2448C |
| <input type="checkbox"/> CVC-74-2172 | <input type="checkbox"/> ELCTH-1872C | <input type="checkbox"/> ELCTH-2460C |
| <input type="checkbox"/> CVC-74-2436 | <input type="checkbox"/> ELCTH-21 | <input type="checkbox"/> ELCTH-2472C |

Design and Construction Features

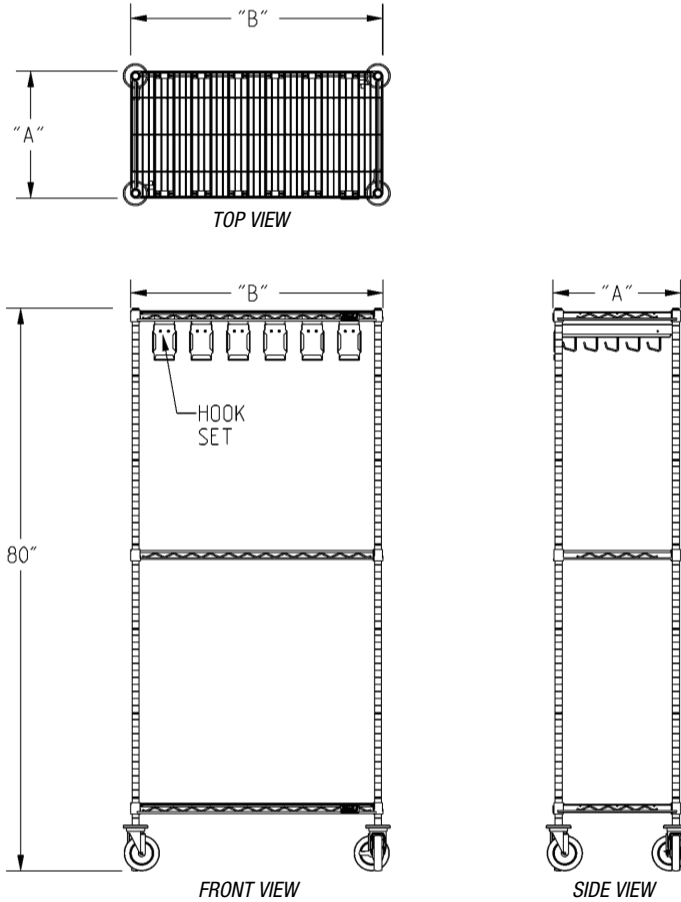
- Standard shelf, with patented QuadTruss® design (patent #5,390,803), at top and bottom of unit.
- Catheter storage slides hang from underside of top shelf—six (6) slides fit on 36" shelf, seven (7) slides on 48" shelf, 10 slides on 60" shelf, and 13 slides on 72" shelf.
- Each slide accommodates five (5) to seven (7) catheters, depending on the shelf width.
- Card holder featured on front of each slide.
- Intermediate three-sided truss frame.
- Four 74" (1880mm)-tall, 1" (25mm)-diameter posts, grooved at 1" (25mm) increments.
- Four 5" (127mm)-diameter swivel casters, two with brake, with resilient tread and donut bumpers.
- Chrome finish on posts, shelves, and truss frame.

Options / Accessories

- Additional slides
- Cart covers
- Alternate configurations (contact factory)



Catheter Storage Carts



Catheter Storage Racks

front-to-back (Dimension A)		side-to-side (Dimension B)		# of slides	# of hooks per slide	model #
in.	mm	in.	mm			
18"	457	36"	914	6	5	ELCTH-1836C
18"	457	48"	1219	7	5	ELCTH-1848C
18"	457	60"	1524	10	5	ELCTH-1860C
18"	457	72"	1829	13	5	ELCTH-1872C
21"	533	36"	914	6	6	ELCTH-2136C
21"	533	48"	1219	7	6	ELCTH-2148C
21"	533	60"	1524	10	6	ELCTH-2160C
21"	533	72"	1829	13	6	ELCTH-2172C
24"	610	36"	914	6	7	ELCTH-2436C
24"	610	48"	1219	7	7	ELCTH-2448C
24"	610	60"	1524	10	7	ELCTH-2460C
24"	610	72"	1829	13	7	ELCTH-2472C

Optional Cart Covers

White coated nylon, with velcro fasteners.

shelf width (front-to-back)		shelf length (side-to-side)		model #
in.	mm	in.	mm	
18"	457	36"	914	CVC-74-1836
18"	457	48"	1219	CVC-74-1848
18"	457	60"	1524	CVC-74-1860
18"	457	72"	1829	CVC-74-1872
21"	533	36"	914	CVC-74-2136
21"	533	48"	1219	CVC-74-2148
21"	533	60"	1524	CVC-74-2160
21"	533	72"	1829	CVC-74-2172
24"	610	36"	914	CVC-74-2436
24"	610	48"	1219	CVC-74-2448
24"	610	60"	1524	CVC-74-2460
24"	610	72"	1829	CVC-74-2472

Optional Additional Single Storage Slides

fits units (front-to-back)	model #
18" (457mm)	ELCTH-18
21" (533mm)	ELCTH-21
24" (610mm)	ELCTH-24

