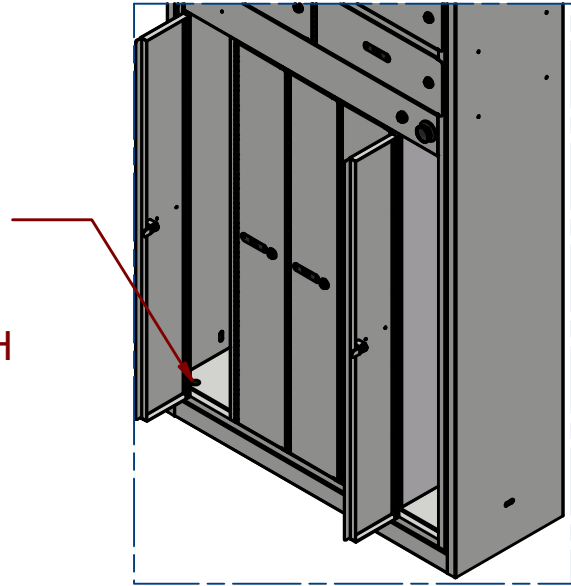


# Weapons Storage Cabinets Assembly Guide

## SMS-01-V12

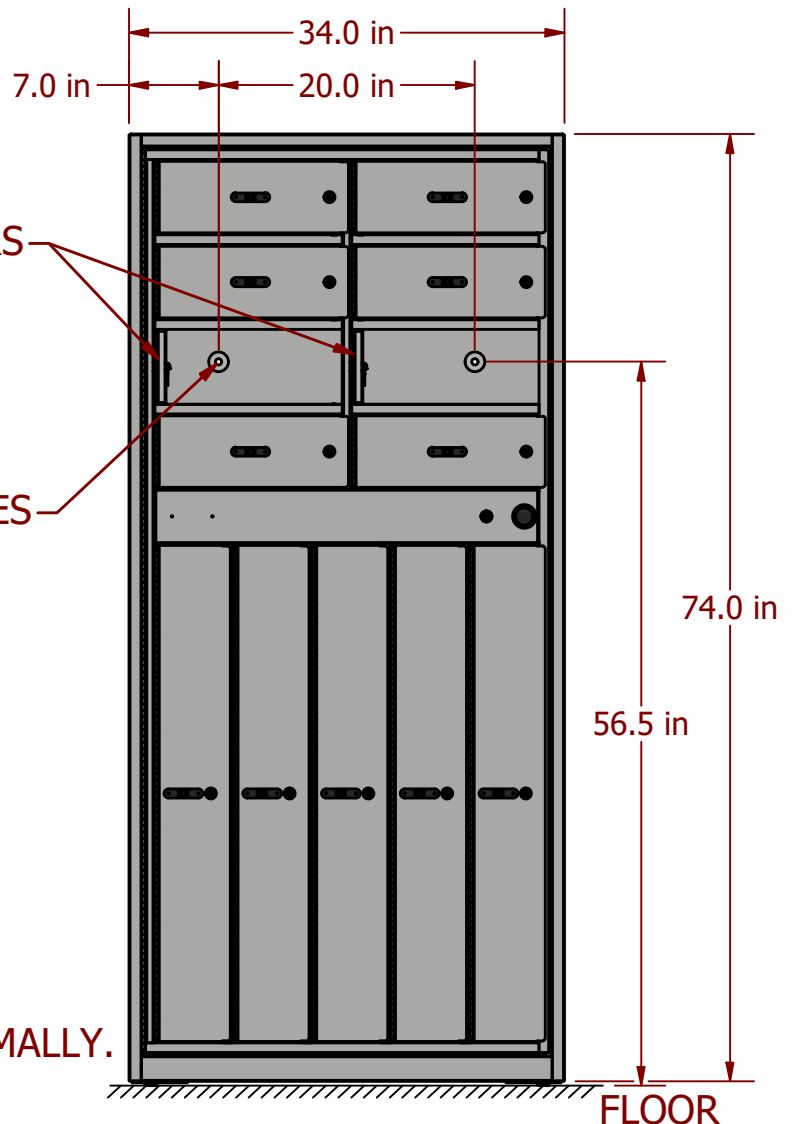
### DON'T OPEN GATE BEFORE MOUNTING TO THE WALL

- 1) OPEN BOTTOM TWO DOORS
- 2) REMOVE BLACK PLASTIC PLUGS
- 3) USE A SOCKET WRENCH WITH A FLAT SCREW HEAD (SEE FOLLOW) TO ADJUST THE LEVELERS THROUGH THE FOUR HOLES



- 4) OPEN THE TWO DOORS

- 5) THROUGH THE TWO HOLES MOUNT TO THE WALL



THEN IT CAN BE USED NORMALLY.

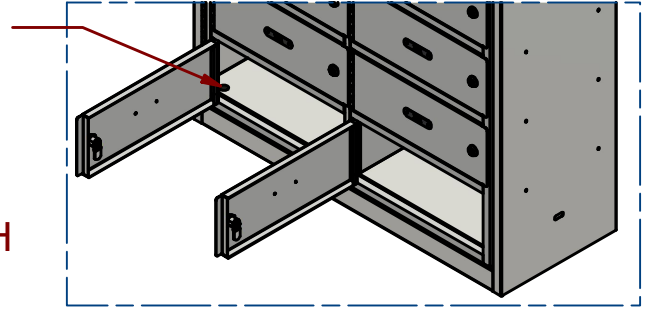


# Weapons Storage Cabinets Assembly Guide

## SMS-01-V13

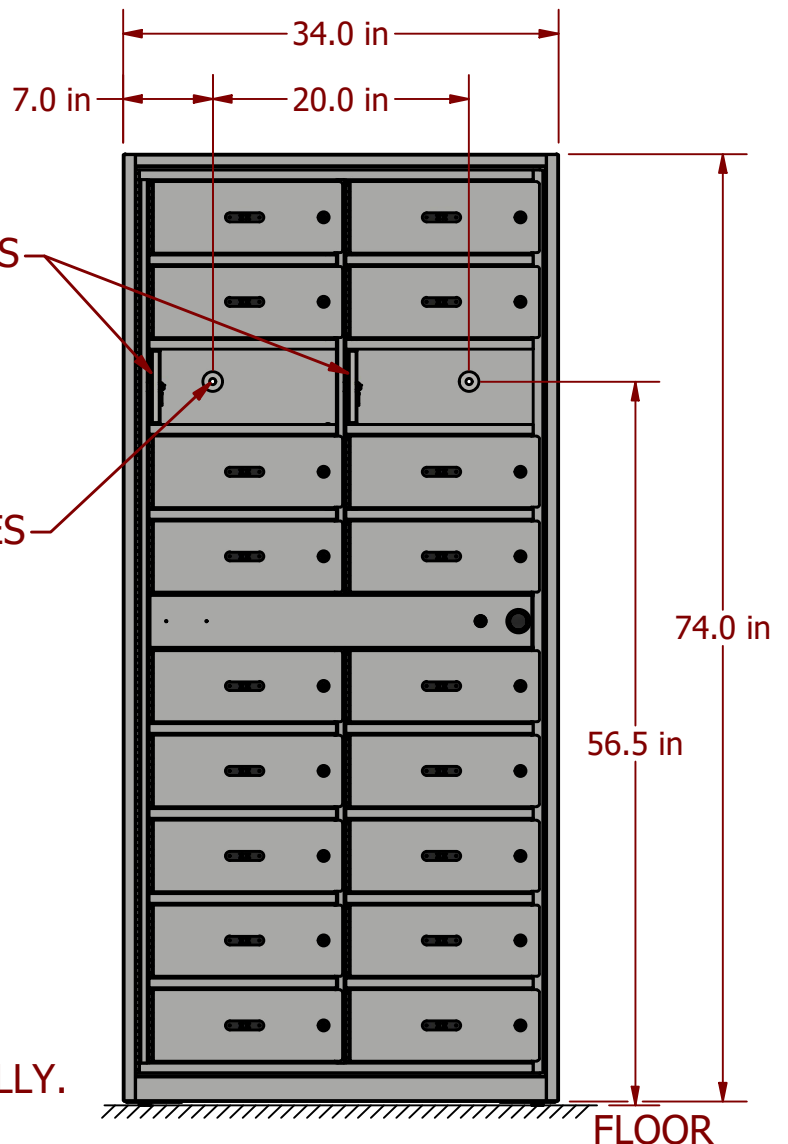
### DON'T OPEN GATE BEFORE MOUNTING TO THE WALL

- 1) OPEN BOTTOM OF TWO DOORS
- 2) REMOVE BLACK PLASTIC PLUGS
- 3) USE A SOCKET WRENCH WITH A FLAT SCREW HEAD (SEE FOLLOW) TO ADJUST THE LEVELERS THROUGH THE FOUR HOLES



- 4) OPEN THE TWO DOORS

- 5) THROUGH THE TWO HOLES MOUNT TO THE WALL



THEN IT CAN BE USED NORMALLY.

