

Stainless Steel Base Cabinets Specification Sheet

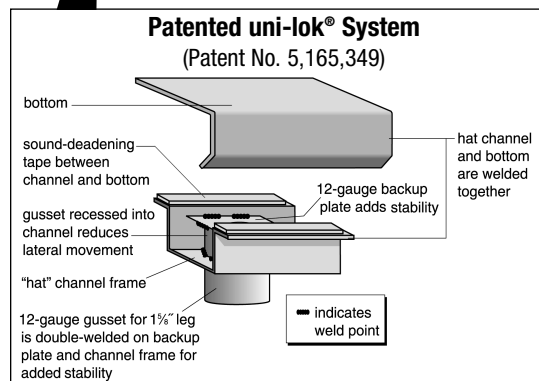
SMS-01-V69

Short Form Specifications

Top is 14/304 stainless steel, sides and back are heavy gauge stainless steel. Open front, stainless steel sliding doors, or stainless steel hinged doors. Marine counter edge on all sides. Constructed with uni-lok® patented gusset system, with the gussets recessed into channels, to reduce lateral movement. 15/8" O.D. stainless steel tubular legs with adjustable stainless steel bullet feet.



cabinet with sliding doors



Tabletop

- 14 gauge type 304 stainless steel.
- Reinforced with full length "hat" channel support.
- Marine counter edge, set in 1" (25mm), on all sides, designed to retard spillage.

Cabinet

- Cabinet body is heavy gauge stainless steel.
- Available with open front, or with 20 gauge stainless steel sliding or hinged doors*.
- Bottom panel features an offset designed to retard spillage.

Legs

- uni-lok® leg/gusset channel assembly (patent #5,165,349).
- Adjustable stainless bullet feet—1" (25mm) adjustment.

Options / Accessories

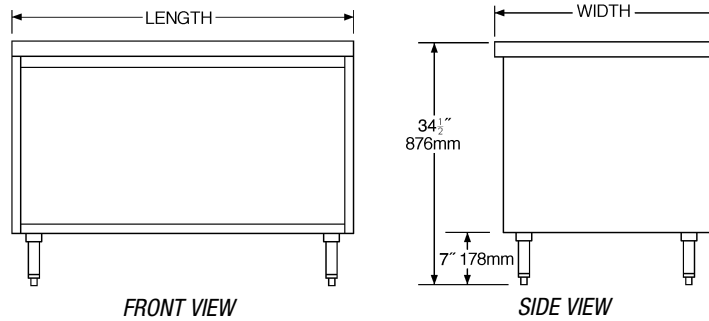
- Center shelf

* Cabinets 84" (2134mm) and longer have two sets of sliding or hinged doors.

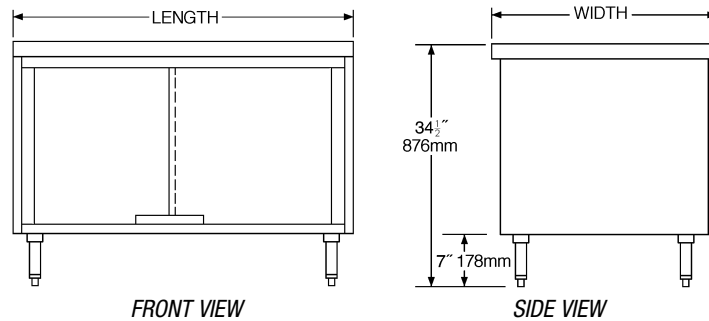
Certifications / Approvals



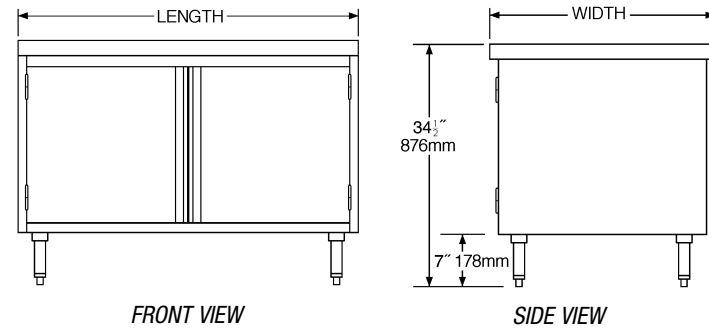
Stainless Steel Base Cabinets with Open Front



Stainless Steel Base Cabinets with Sliding Doors



Stainless Steel Base Cabinets with Hinged Doors



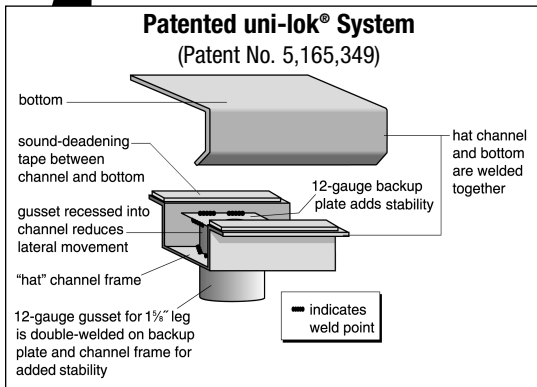
Specification Sheet

Short Form Specifications

Top is 14/304 stainless steel, sides and back are heavy gauge stainless steel. Open front, stainless steel sliding doors, or stainless steel hinged doors. Marine counter edge on front and sides, 1/2" upturn at rear. Constructed with uni-lok® patented gusset system, with the gussets recessed into channels, to reduce lateral movement. 1 5/8" O.D. stainless steel tubular legs with adjustable stainless steel bullet feet.



cabinet with sliding doors



Tabletop

- 14 gauge type 304 stainless steel.
- Reinforced with full length "hat" channel support.
- Marine counter edge set in 1" (25mm), on front and sides, designed to retard spillage.
- 1/2" (38mm) full-length upturn at rear.

Cabinet

- Cabinet body is heavy gauge stainless steel.
- Available with open front, or with 20 gauge stainless steel sliding or hinged doors*.
- Bottom panel features an offset designed to retard spillage.

Legs

- uni-lok® leg/gusset channel assembly (patent #5,165,349).
- Adjustable stainless bullet feet—1" (25mm) adjustment.

Options / Accessories

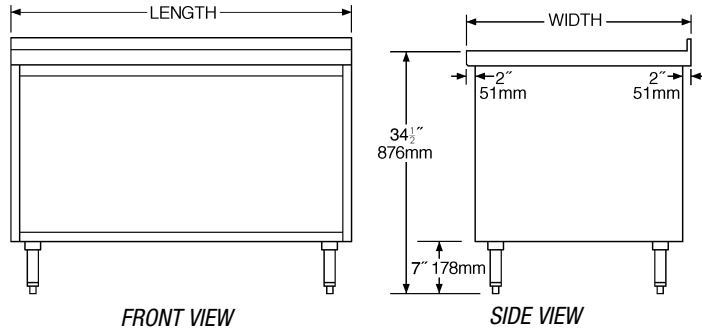
- Center shelf

* Cabinets 84" (2134mm) and longer have two sets of sliding or hinged doors.

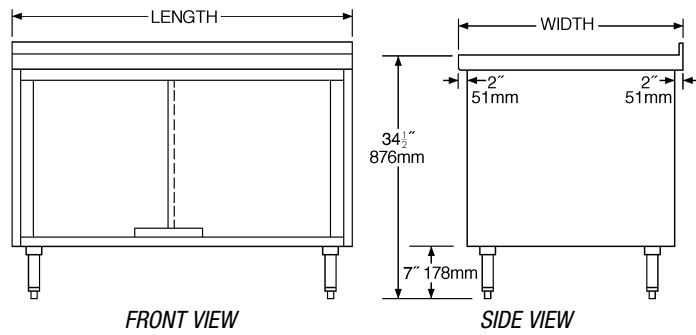
Certifications / Approvals



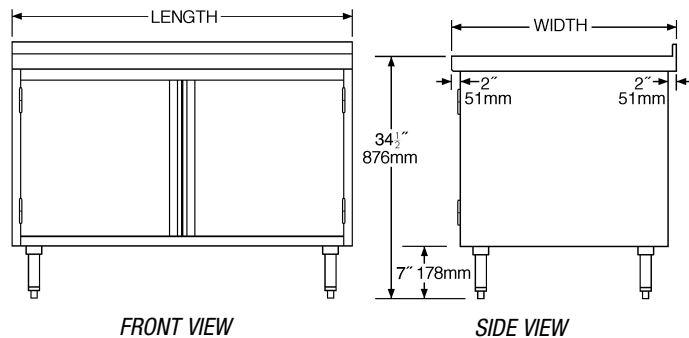
Stainless Steel Base Cabinets with Open Front



Stainless Steel Base Cabinets with Sliding Doors



Stainless Steel Base Cabinets with Hinged Doors



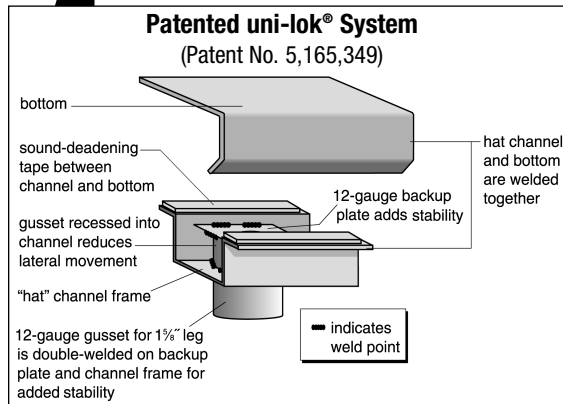
Specification Sheet

Short Form Specifications

Top is 14/304 stainless steel, sides and back are heavy gauge stainless steel. Open front, stainless steel sliding doors, or stainless steel hinged doors. Marine counter edge on front and sides, 4 1/2" backsplash at rear. Constructed with uni-lok® patented gusset system, with the gussets recessed into channels, to reduce lateral movement. 15 8" O.D. stainless steel tubular legs with adjustable stainless steel bullet feet.



cabinet with sliding doors



Tabletop

- 14 gauge type 304 stainless steel.
- Reinforced with full length "hat" channel support.
- Marine counter edge set in 1" (25mm), on front and sides, designed to retard spillage.
- 1" x 4 1/2" (25 x 114mm) full-length backsplash— optional 2" x 10 1/2" (51 x 267mm) high backsplash* available.

Cabinet

- Cabinet body is heavy gauge stainless steel.
- Available with open front, or with 20 gauge stainless steel sliding or hinged doors**.
- Bottom panel features an offset designed to retard spillage.

Legs

- uni-lok® leg/gusset channel assembly (patent #5,165,349).
- Adjustable stainless bullet feet—1" (25mm) adjustment.

Options / Accessories

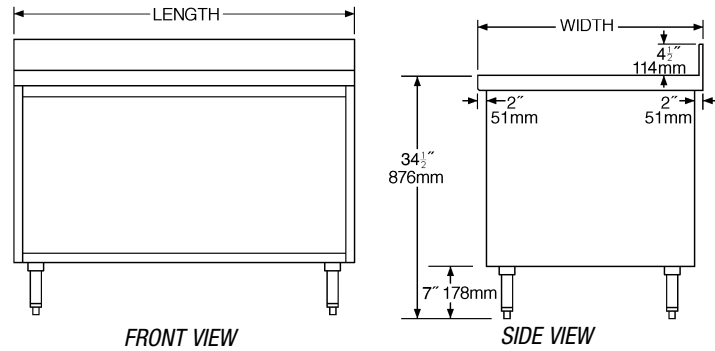
- ☐ 10 1/2" (267mm) backsplash* Center
- ☐ shelf

*Cabinets 84" (2134mm) and longer have two sets of sliding or hinged doors.

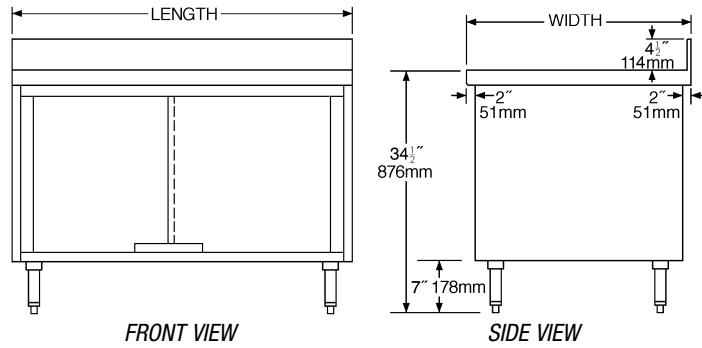
Certifications / Approvals



Stainless Steel Base Cabinets with Open Front



Stainless Steel Base Cabinets with Sliding Doors



Stainless Steel Base Cabinets with Hinged Doors

